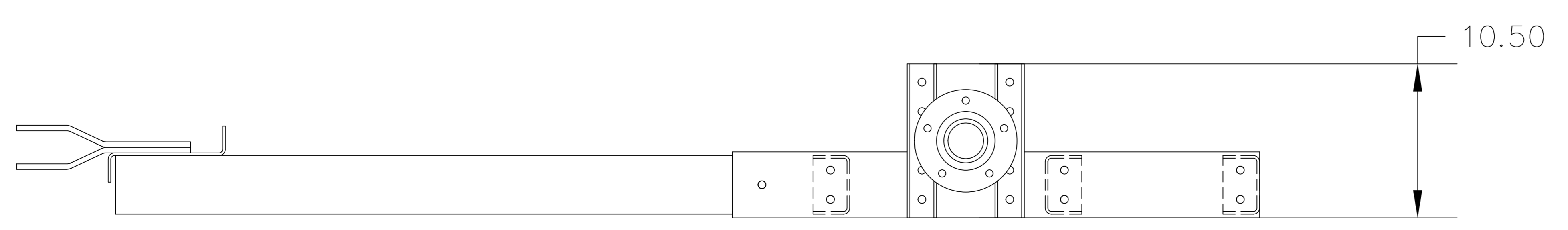
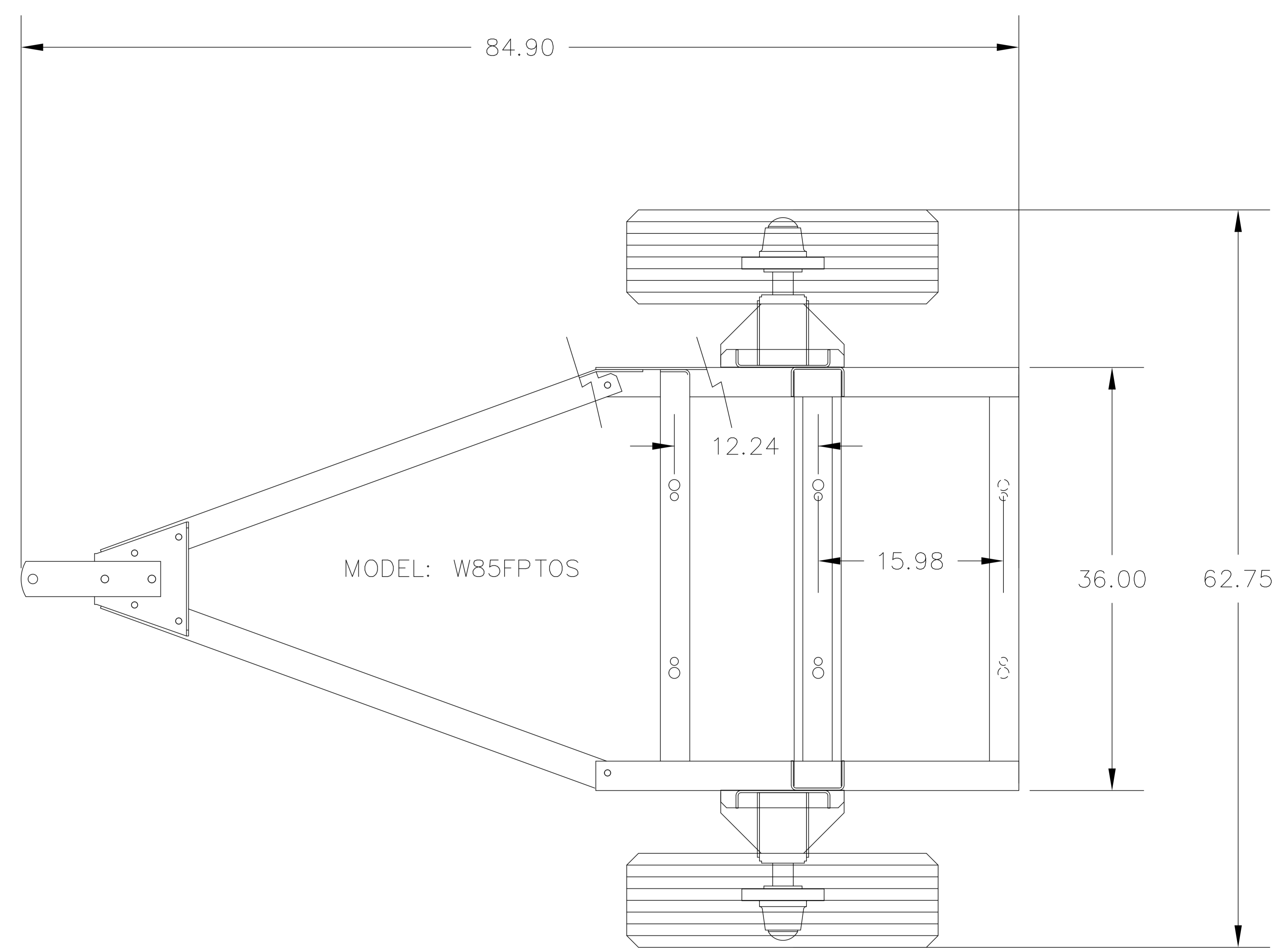
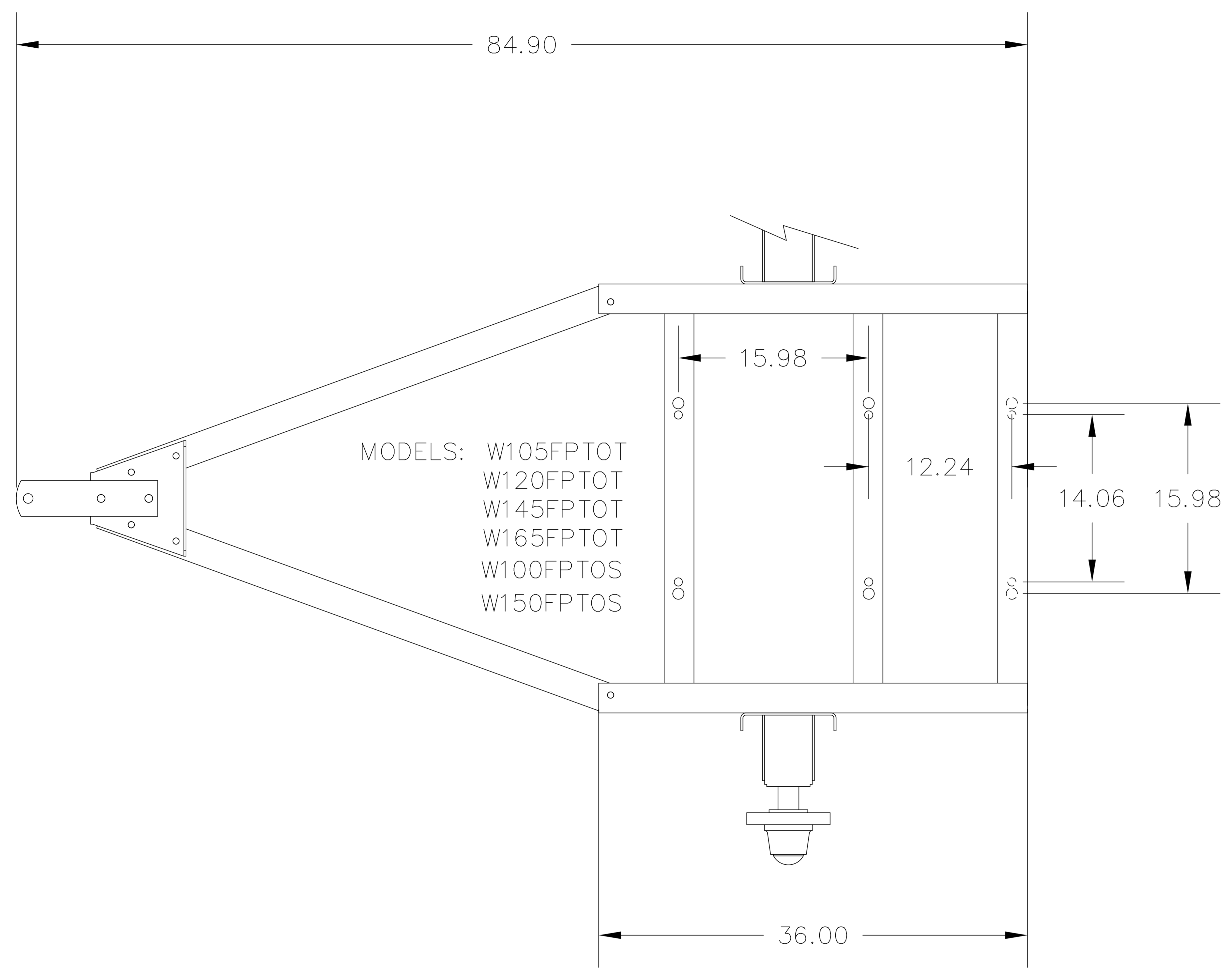


TDM74-900



UNLESS OTHERWISE SPECIFIED		MACHINED SURFACE TEXTURE	ALL DIMENSIONS GIVEN IN INCHES						
FRACTIONS ±	ANGULAR		WORK TO DIMENSIONS						
1. PLACE DEC. ± .1	± 1.5°		- DO NOT SCALE -						
2. PLACE DEC. ± .015			DRAWN BY	DATE	CH'KD BY	DATE	APP'D BY	DATE	SCALE
3. PLACE DEC. ± .005			DJR	4/22/13					
THIS DRAWING CONTAINS PROPRIETARY INFORMATION BELONGING TO WINPOWER. UNAUTHORIZED USE IS PROHIBITED.		MATERIAL:		TITLE					
				TRAILER, PTO					
		FINISH		MODEL		PART NO.			
				LARGE PTO'S		TDM74-900			
		ASS'Y							