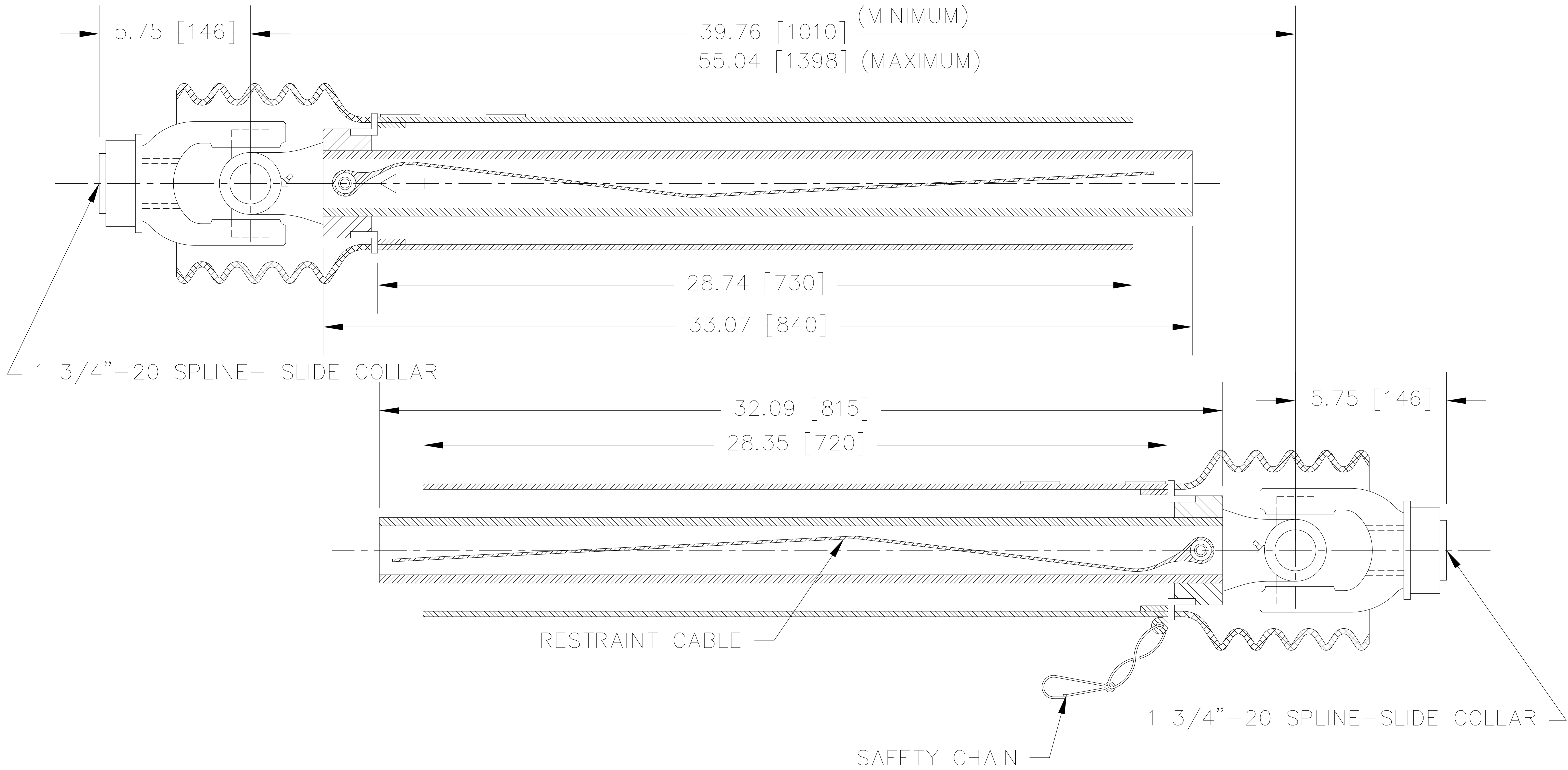
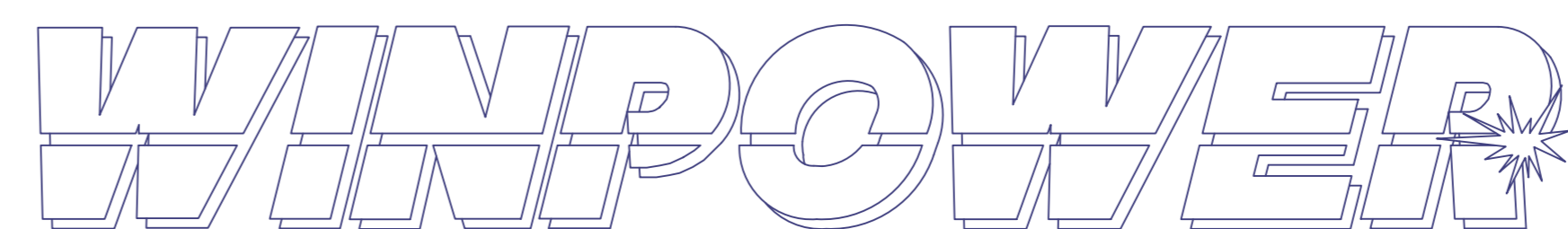


SA12320-100

FITS MODELS: W145FPTOT, W150FPTOS, W165FPTOT



SPECIFICATIONS:
 OPERATING SPEED: 1000 RPM
 GEN END CONNECTION: 1-3/4" 20-SPLINE
 TRACTOR END CONN: 1-3/4" 20-SPLINE
 SHAFT POWER RATING: 257 HP

THIS DRAWING CONTAINS PROPRIETARY INFORMATION BELONGING TO WINPOWER, UNAUTHORIZED USE IS PROHIBITED.	DRAWN BY	DATE	CH'KD BY	DATE	APP'D BY	DATE	SCALE
	DJR	5-16-14					
	MATERIAL:						
	FINISH		TITLE				
ASS'Y		T-BAR SPEC SHEET					
MODEL	LARGE PTO'S						
					PART NO.		
					SA12320-100		