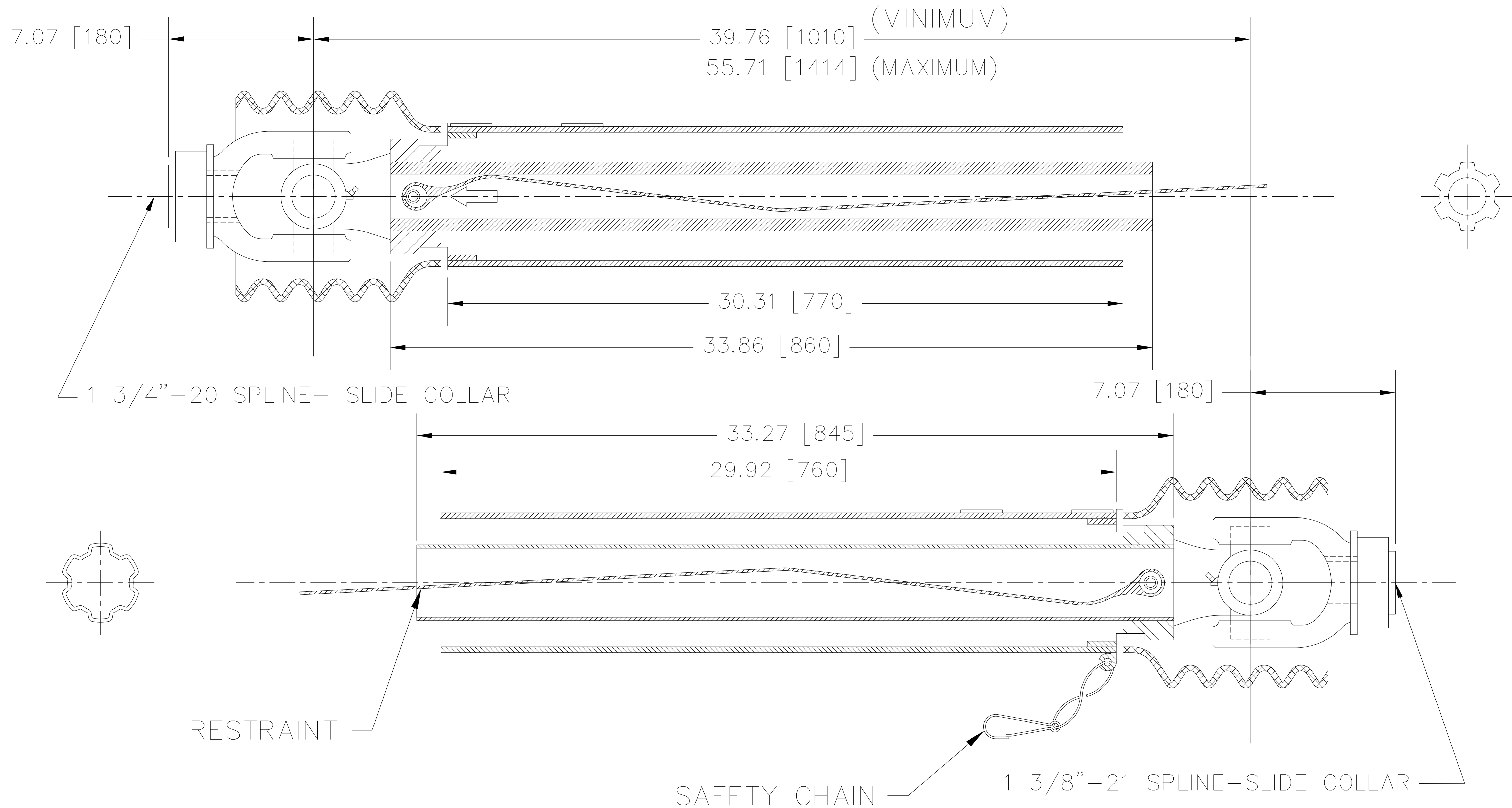


SA12311-100

FITS MODELS: W85FPTOS, W100FPTOS, W105FPTOT, W120FPTOT



SPECIFICATIONS:
 OPERATING SPEED: 1000 RPM
 GEN END CONNECTION: 1-3/4" 20-SPLINE
 TRACTOR END CONN: 1-3/8" 21-SPLINE
 SHAFT POWER RATING: 167 HP

THIS DRAWING CONTAINS PROPRIETARY INFORMATION BELONGING TO WINPOWER. UNAUTHORIZED USE IS PROHIBITED.	DRAWN BY	DATE	CH'KD BY	DATE	APP'D BY	DATE	SCALE
	DJR	5-16-14					
	MATERIAL:						
	FINISH	X	TITLE				
	ASS'Y	X	T-BAR SPEC SHEET				
MODEL		PART NO.					
	WINPOWER					SA12311-100	