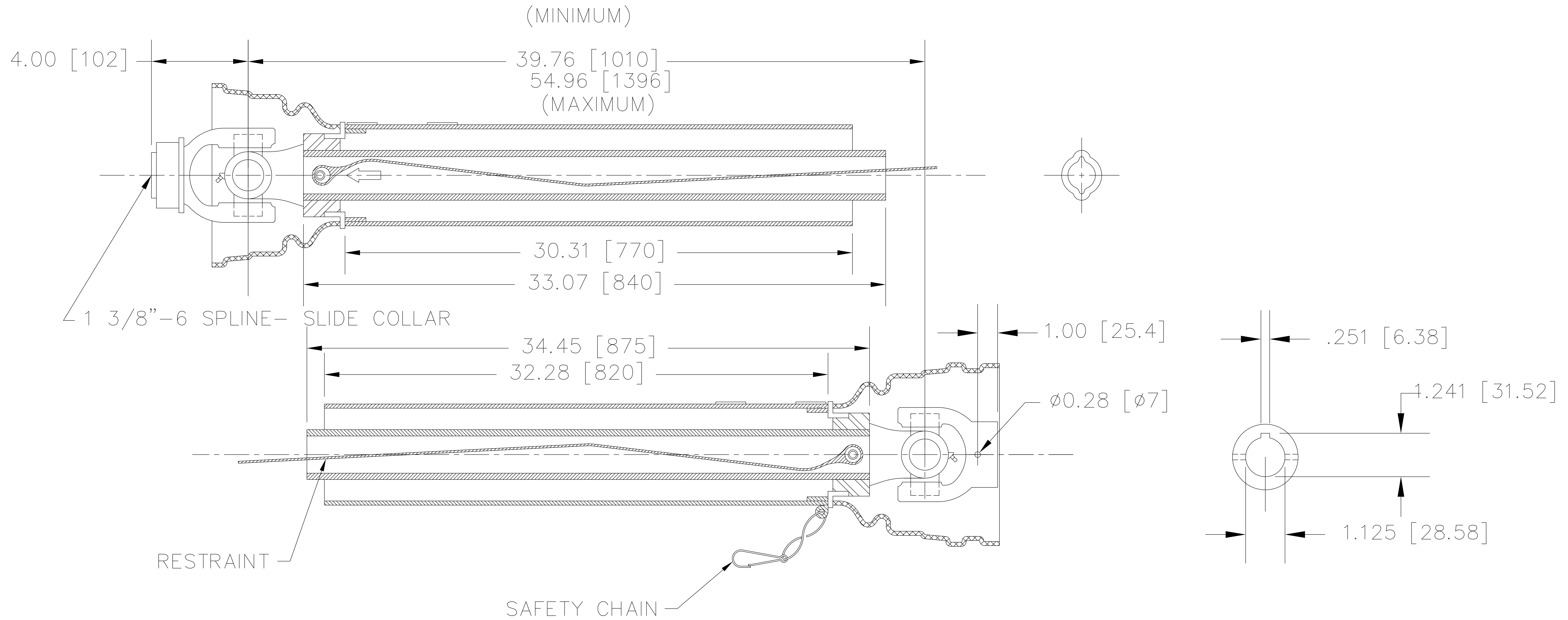


43990-100

FITS MODEL 25PTOC ONLY

NOTE: YOU DO NOT NEED TO PURCHASE THE SPLINE ADAPTER IF YOU ARE PURCHASING THIS T-BAR AND THE 25PTOC.



SPECIFICATIONS:

OPERATING SPEED: 540 RPM
 GEN END CONNECTION: 1-1/8" KEYED
 TRACTOR END CONN: 1-3/8" 6-SPLINE
 SHAFT POWER RATING: 50 HP

THIS DRAWING CONTAINS PROPRIETARY INFORMATION BELONGING TO WINPOWER, UNAUTHORIZED USE IS PROHIBITED.	DRAWN BY	DATE	CH'KD BY	DATE	APP'D BY	DATE	SCALE
	DJR	5-16-14					
	MATERIAL:						
	FINISH	X	TITLE				
ASS'Y	X	T-BAR SPEC SHEET					
MODEL	25PTOC	PART NO.					
WINGO INCORPORATED						43990-100	