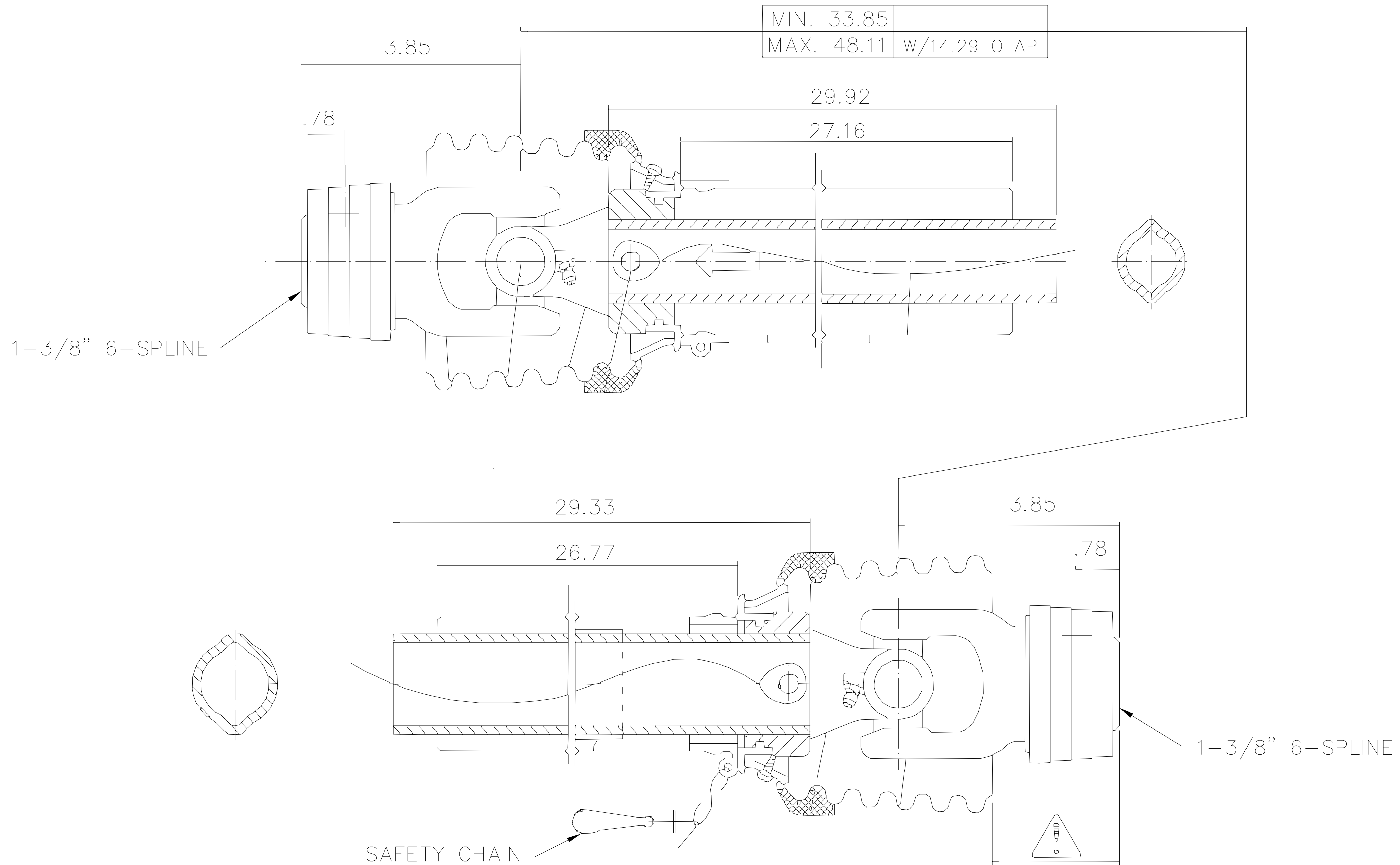


SA11310-100

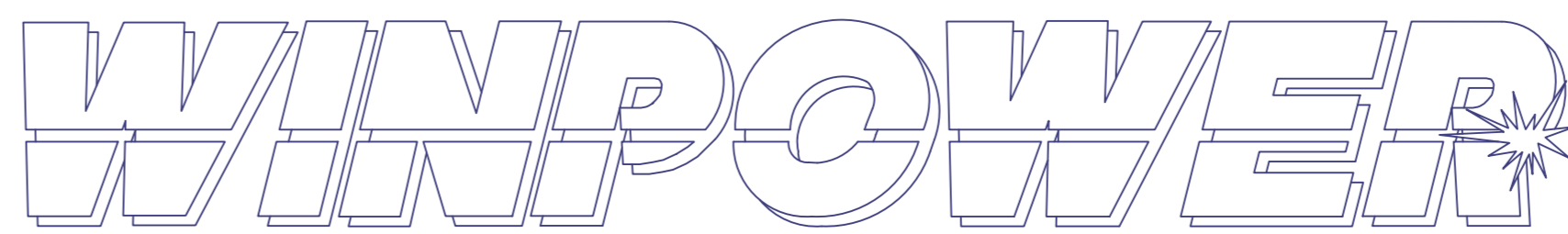
FOR MODELS W10PT0S & W15PT0S

USED WITH TDM76 TRAILER ONLY



SPECIFICATIONS:

OPERATING SPEED: 515 RPM  
 GEN END CONNECTION: 1-3/8" 6-SPLINE  
 TRACTOR END CONN: 1-3/8" 6-SPLINE  
 SHAFT POWER RATING: 43 HP

THIS DRAWING CONTAINS PROPRIETARY INFORMATION BELONGING TO WINPOWER. UNAUTHORIZED USE IS PROHIBITED.	DRAWN BY	DATE	CH'KD BY	DATE	APP'D BY	DATE	SCALE
	DJR	5-16-14					
	MATERIAL:						
	FINISH	TITLE					
	ASS'Y	T-BAR SPEC SHEET					
MODEL	W10PT0S & W15PT0S						
			PART NO.				
			SA11310-100				