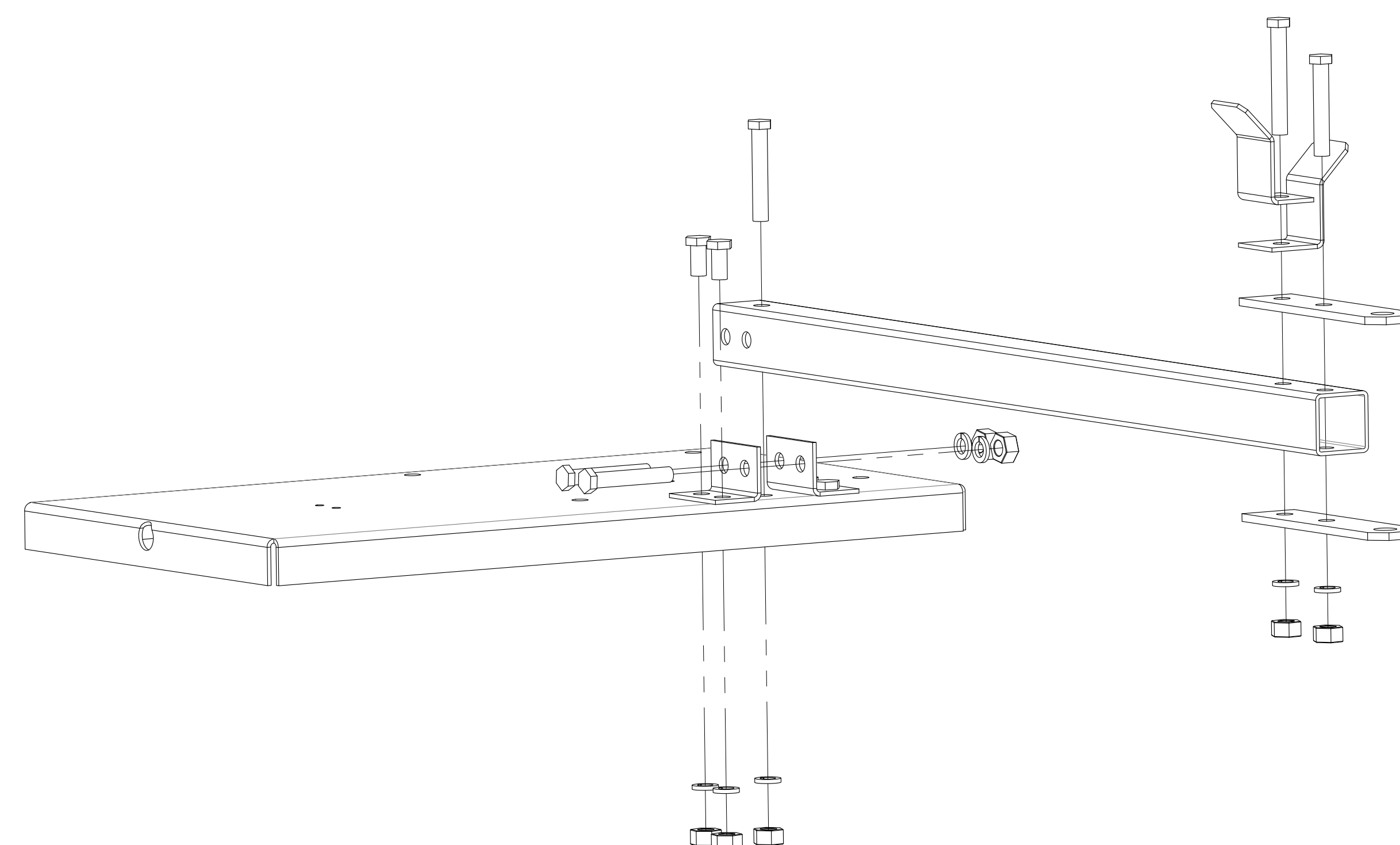
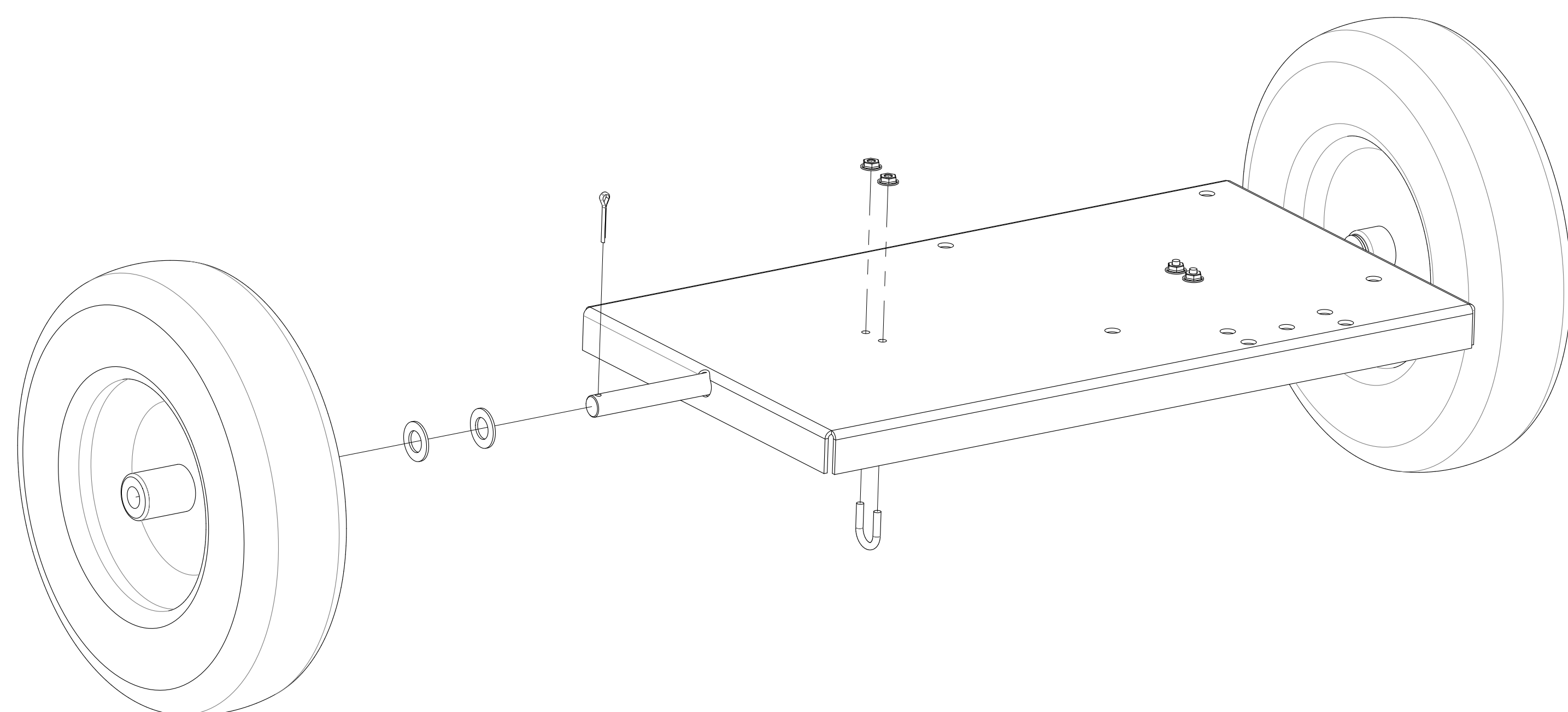
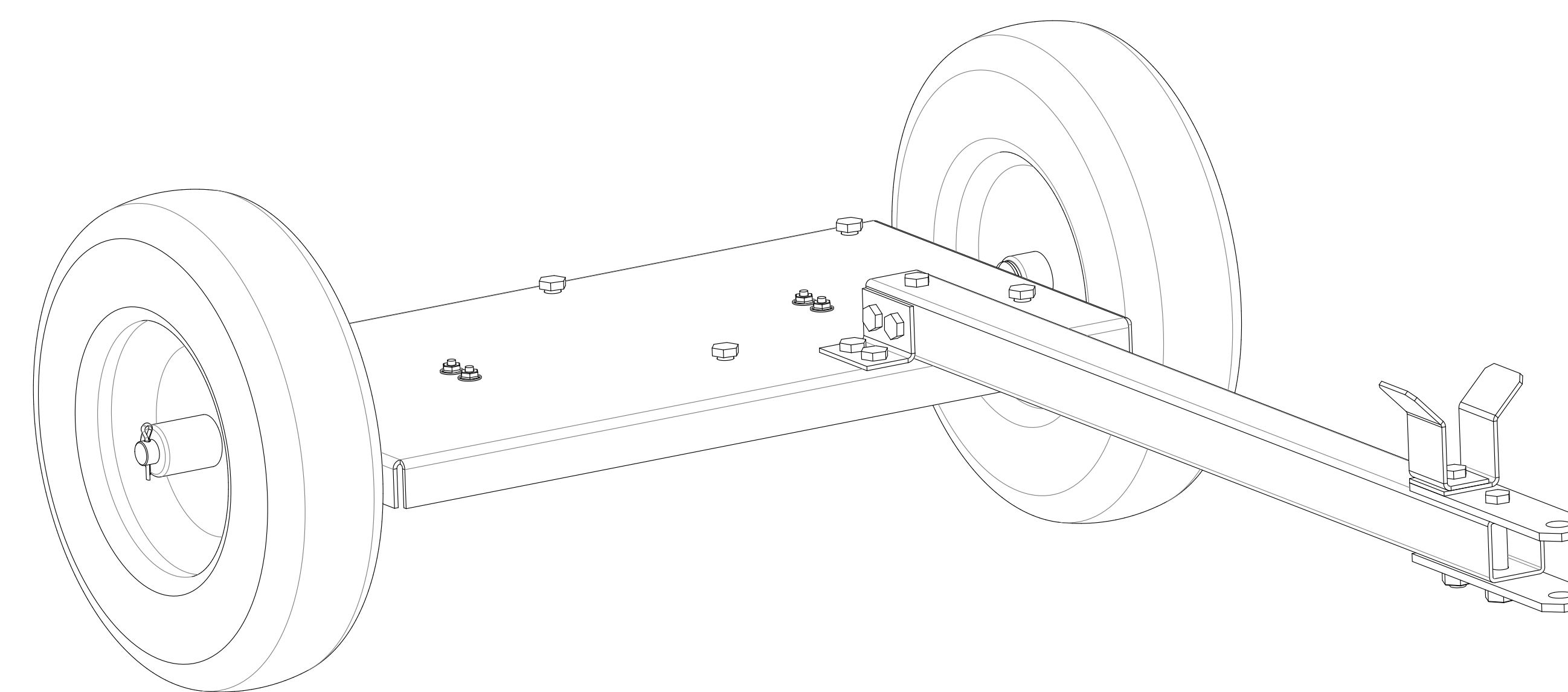
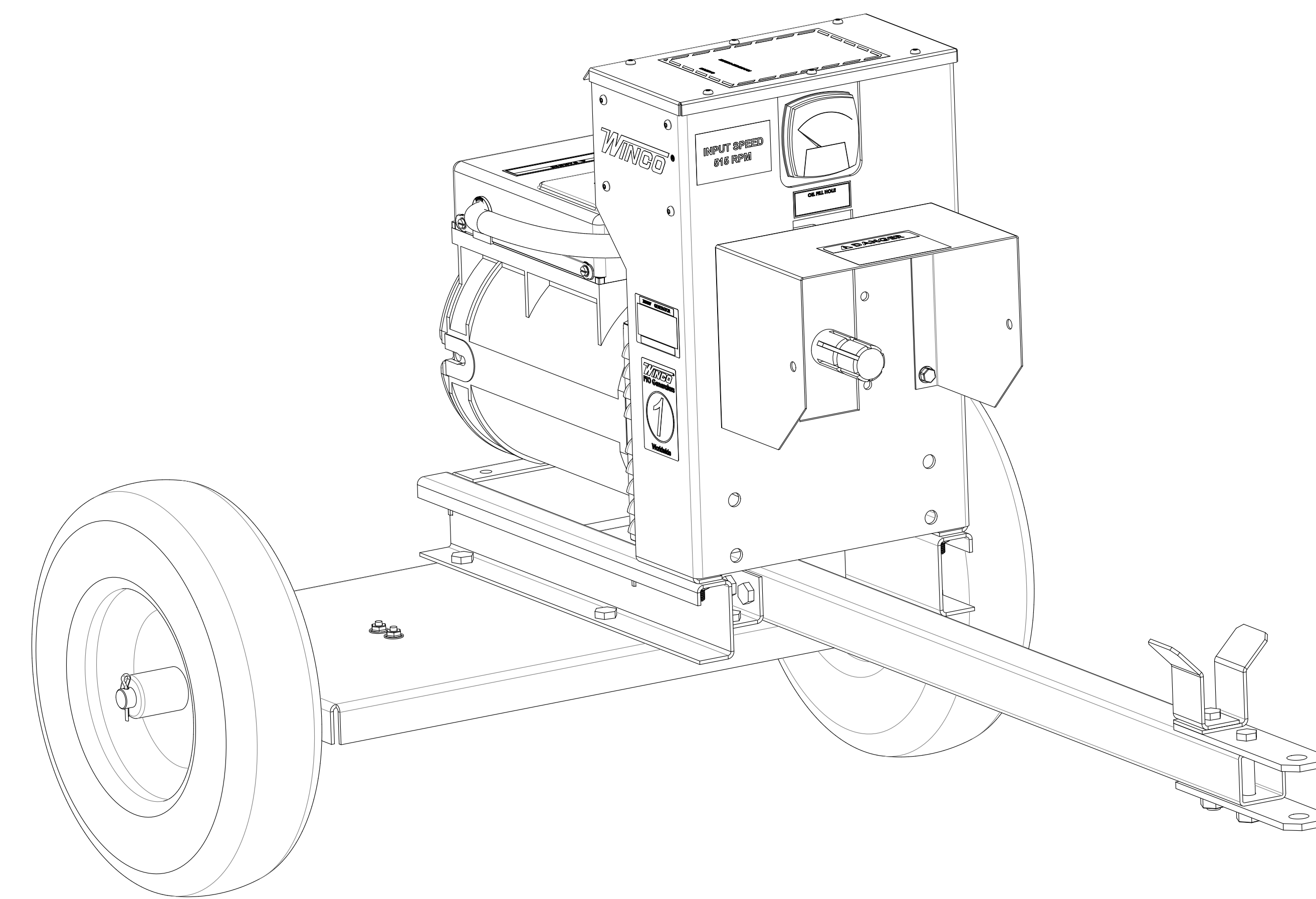
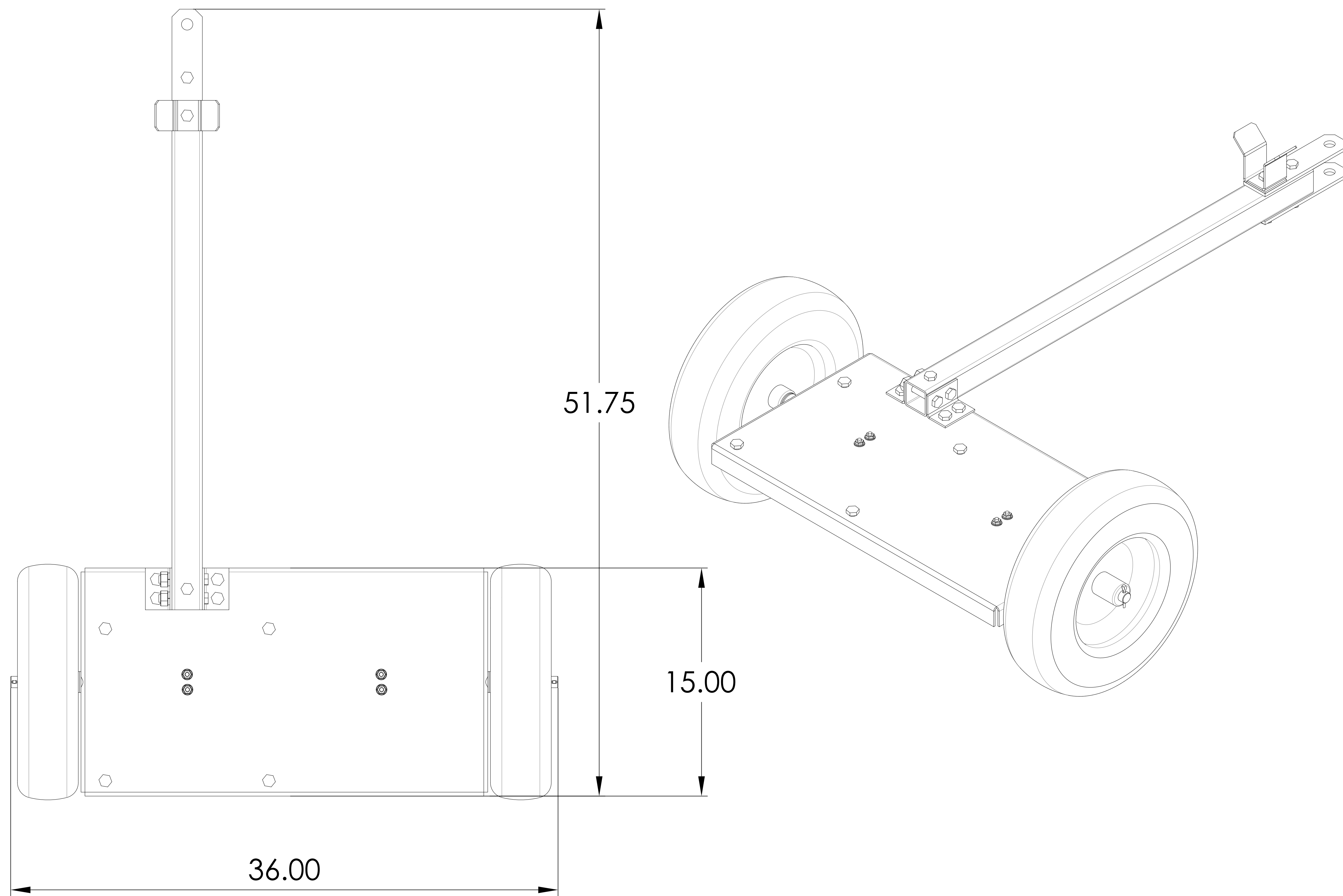


TDM76



UNLESS OTHERWISE SPECIFIED		MACHINED SURFACE TEXTURE		ALL DIMENSIONS GIVEN IN INCHES WORK TO DIMENSIONS FLAT OUTSIDE VIEW SHOWN UNLESS NOTED -DO NOT SCALE-			
FRACTIONS	ANGULAR						
1 PLACE DEC. .1	1.5						
2 PLACE DEC. .015							
3 PLACE DEC. .005							
	DRAWN BY	DATE	CHK'D BY	DATE	ENG APPR.	DATE	SCALE
	MVW	2/20/2012					
	MATERIAL:	ERROR!:Material					
	FINISH:						
	ASSY:						
	MODEL:	TDM76					
			PART NO.		TDM76		REV
							A

THIS DRAWING CONTAINS PROPRIETARY INFORMATION BELONGING TO WINCO. UNAUTHORIZED USE IS PROHIBITED

TITLE:  
TDM76 COMPLETE ASSEMBLY

PART NO.  
TDM76

REV  
A