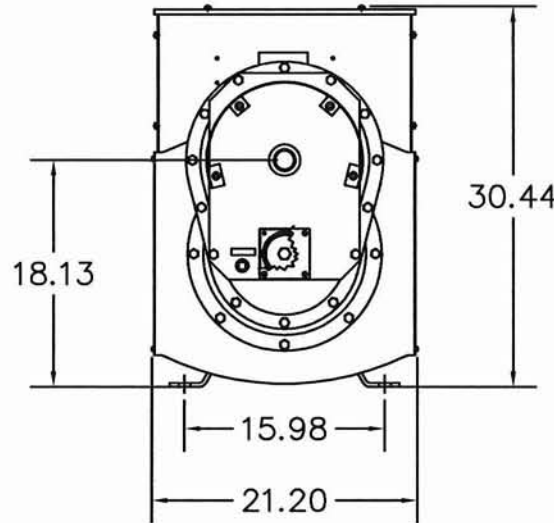
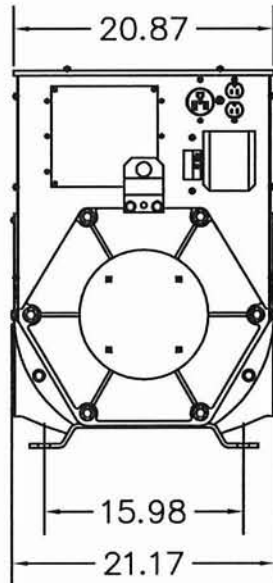
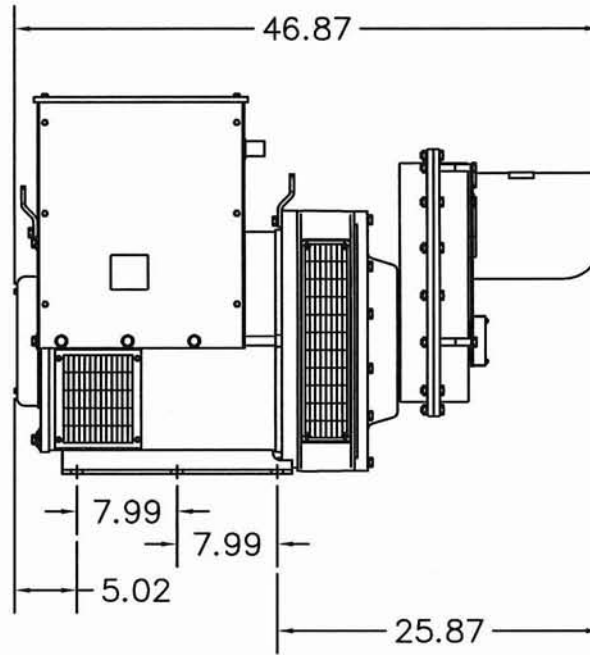


64867-103



UNLESS OTHERWISE SPECIFIED		MACHINED SURFACE TEXTURE		ALL DIMENSIONS GIVEN IN INCHES			
FRACTIONS ±		ANGULAR ± 1.5°		WORK TO DIMENSIONS			
1. PLACE DEC. ± .1				- DO NOT SCALE -			
2. PLACE DEC. ± .015							
3. PLACE DEC. ± .005							
DRAWN BY	DATE	CHKD BY	DATE	APPD BY	DATE	SCALE	
DJR	7/19/10					1=10	
MATERIAL:							
FINISH		TITLE		OUTLINE DRAWING			
ASSY		MODEL		W105FPTOT-4/B			
MODEL		W105FPTOT-4/B		64867-103			
THIS DRAWING CONTAINS PROPRIETARY INFORMATION BELONGING TO WINPOWER. UNAUTHORIZED USE IS PROHIBITED.							