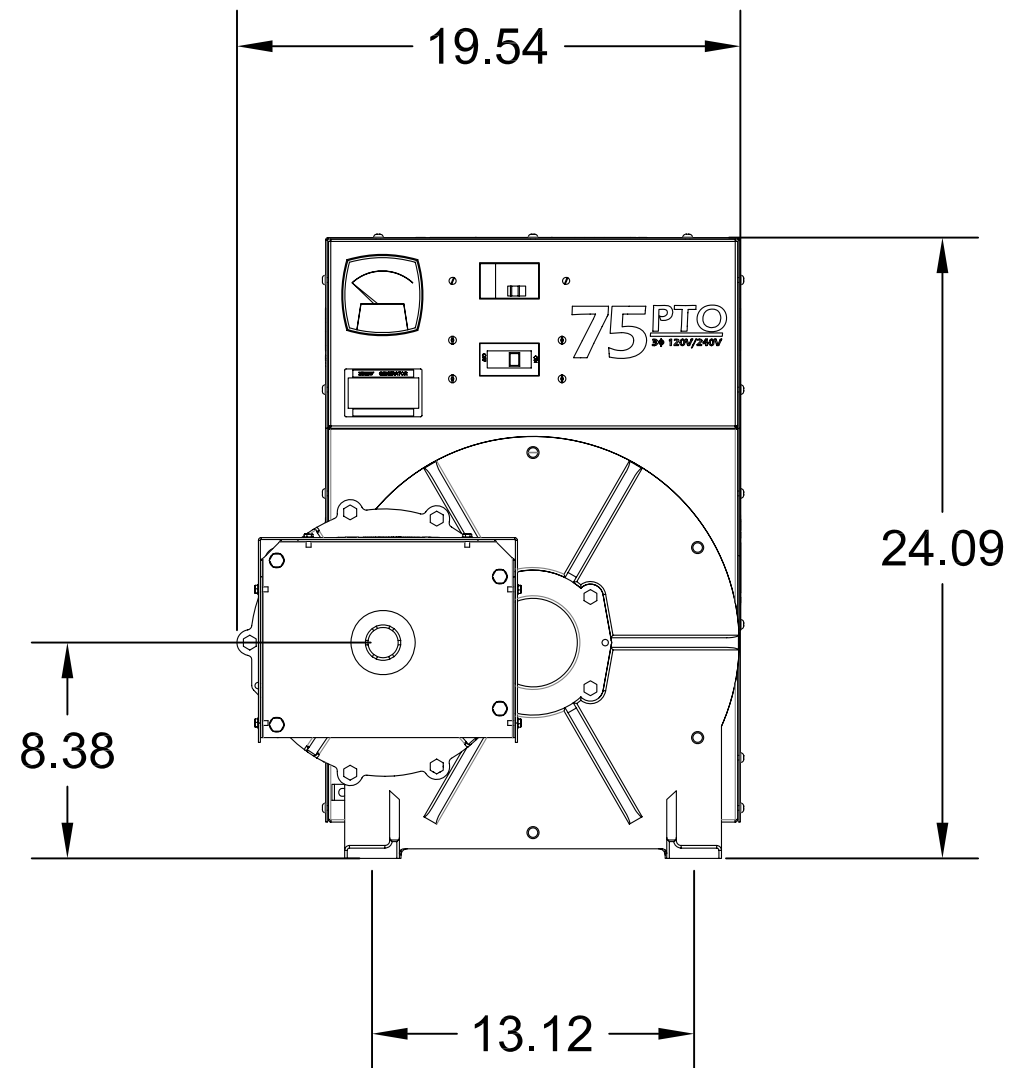
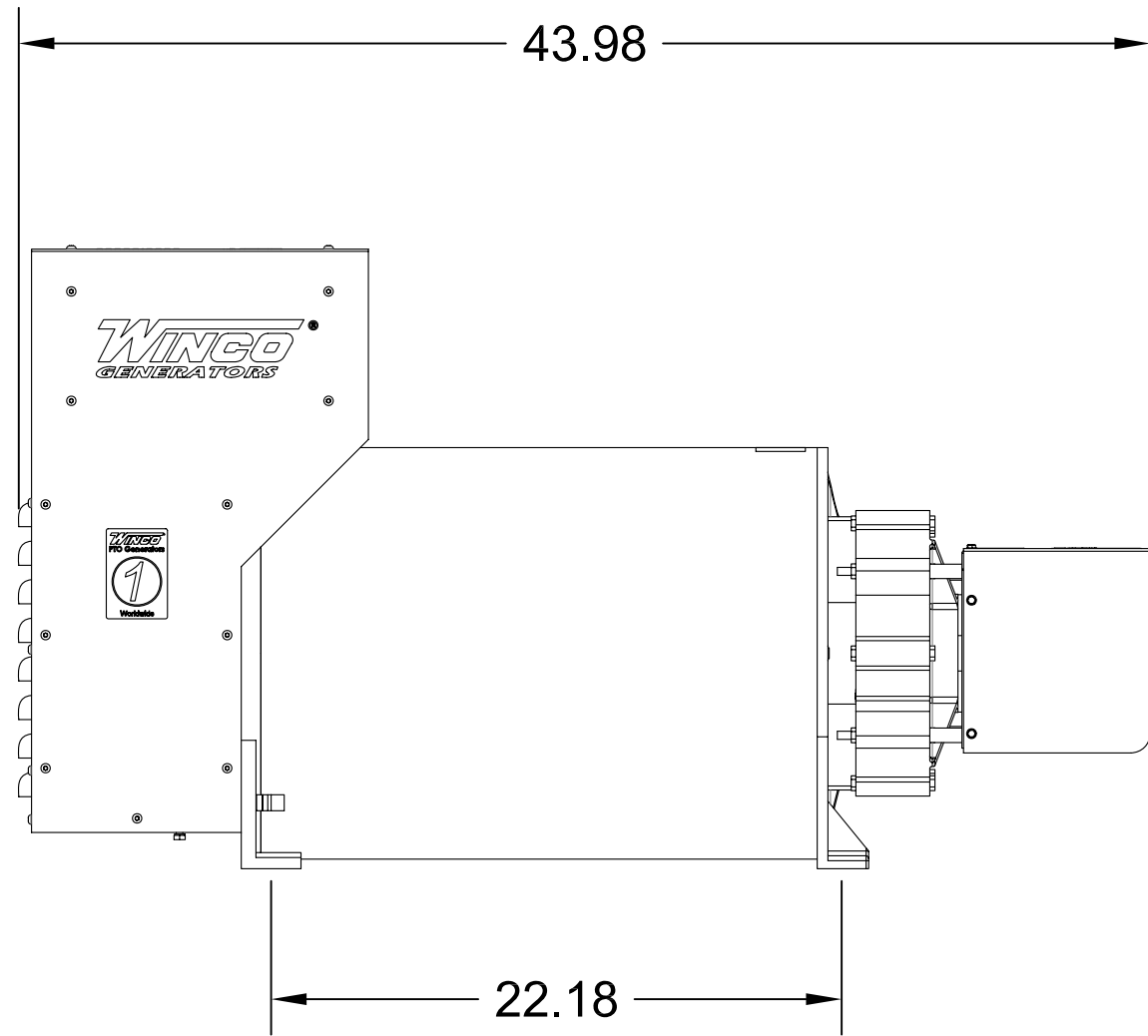


91287-101

REVISION RECORD					
ISSUE	E.C.O. NO.	DESCRIPTION	DATE	BY	APPD
1		ORIGINAL	---	---	



# OUTLINE DRAWING

## 75FPTOC-4/E

## 75FPTOC-17/E

UNLESS OTHERWISE SPECIFIED		MACHINED SURFACE TEXTURE		FLAT VIEW OUTSIDE SURFACE UNLESS NOTED			
FRACTIONS ±		ANGULAR		ALL DIMENSIONS GIVEN IN INCHES			
1. PLACE DEC. ± .1		± 1.5°		WORK TO DIMENSIONS			
2. PLACE DEC. ± .03				- DO NOT SCALE -			
3. PLACE DEC. ± .005							
THIS DRAWING CONTAINS PROPRIETARY INFORMATION BELONGING TO WINCO. UNAUTHORIZED USE IS PROHIBITED.	DRAWN BY	DATE	CHKD BY	DATE	APPD BY	DATE	SCALE
	DJR	8/9/11					
	MATERIAL: X						
	FINISH	X	TITLE				
ASSY	X	OUTLINE DRAWING					
MODEL	75FPTOC-4 & -17/E					PART NO.	
						91287-101	