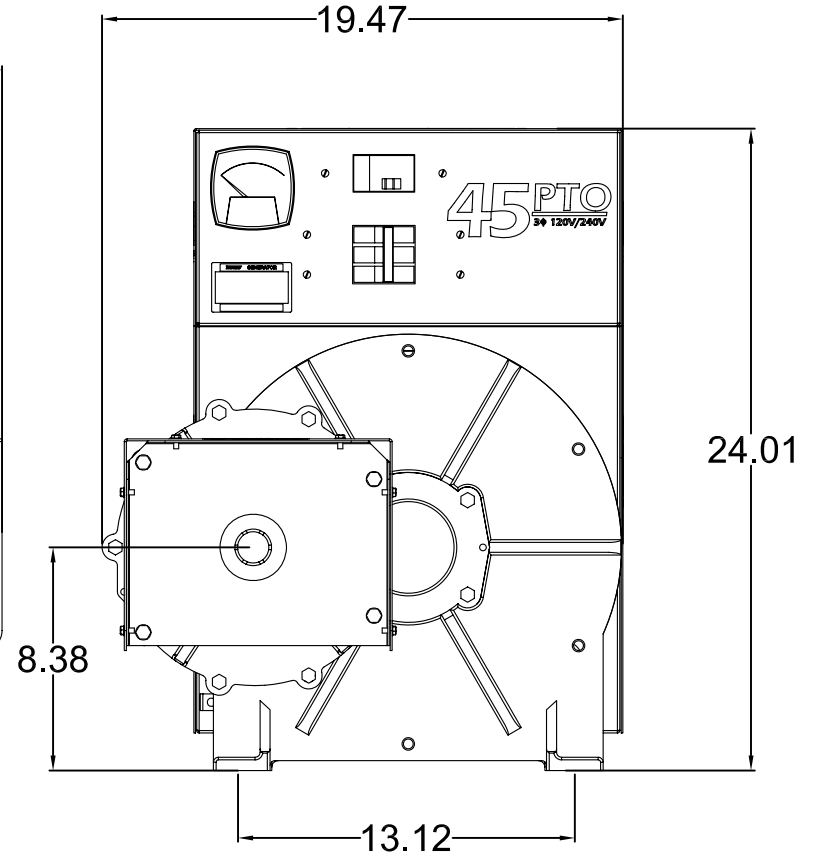
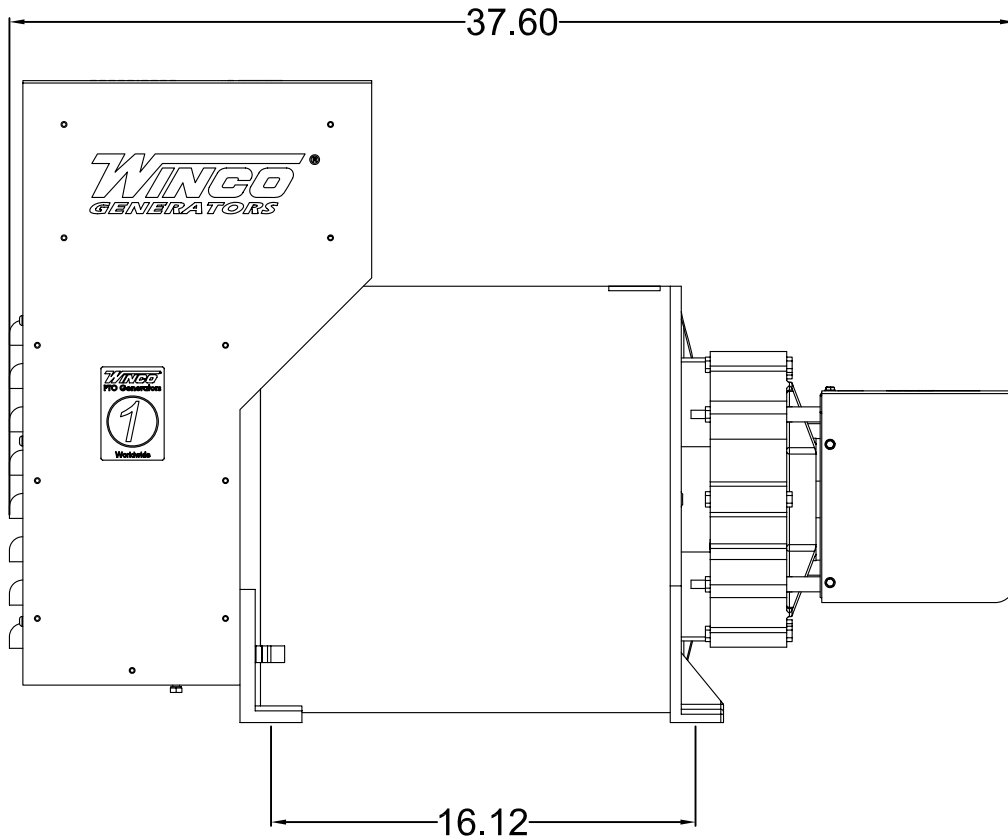


91276-102



OUTLINE DRAWING
45PTOC-17/E

UNLESS OTHERWISE SPECIFIED		MACHINED SURFACE TEXTURE	ALL DIMENSIONS GIVEN IN INCHES							
FRACTIONS ±			ANGULAR	WORK TO DIMENSIONS						
1. PLACE DEC. ± .1			± 1.5°	— DO NOT SCALE —						
2. PLACE DEC. ± .03			DRAWN BY	DATE	CH'KD BY	DATE	APP'D BY	DATE	SCALE	
3. PLACE DEC. ± .005			DJR	8/11/11						
MATERIAL:										
THIS DRAWING CONTAINS PROPRIETARY INFORMATION BELONGING TO WINCO. UNAUTHORIZED USE IS PROHIBITED.		FINISH	SEE TABLE	TITLE			OUTLINE DRAWING			
		ASSY								
		MODEL	45PTOC-17/E							
		WINGCO INCORPORATED		PART NO. 91276-102						