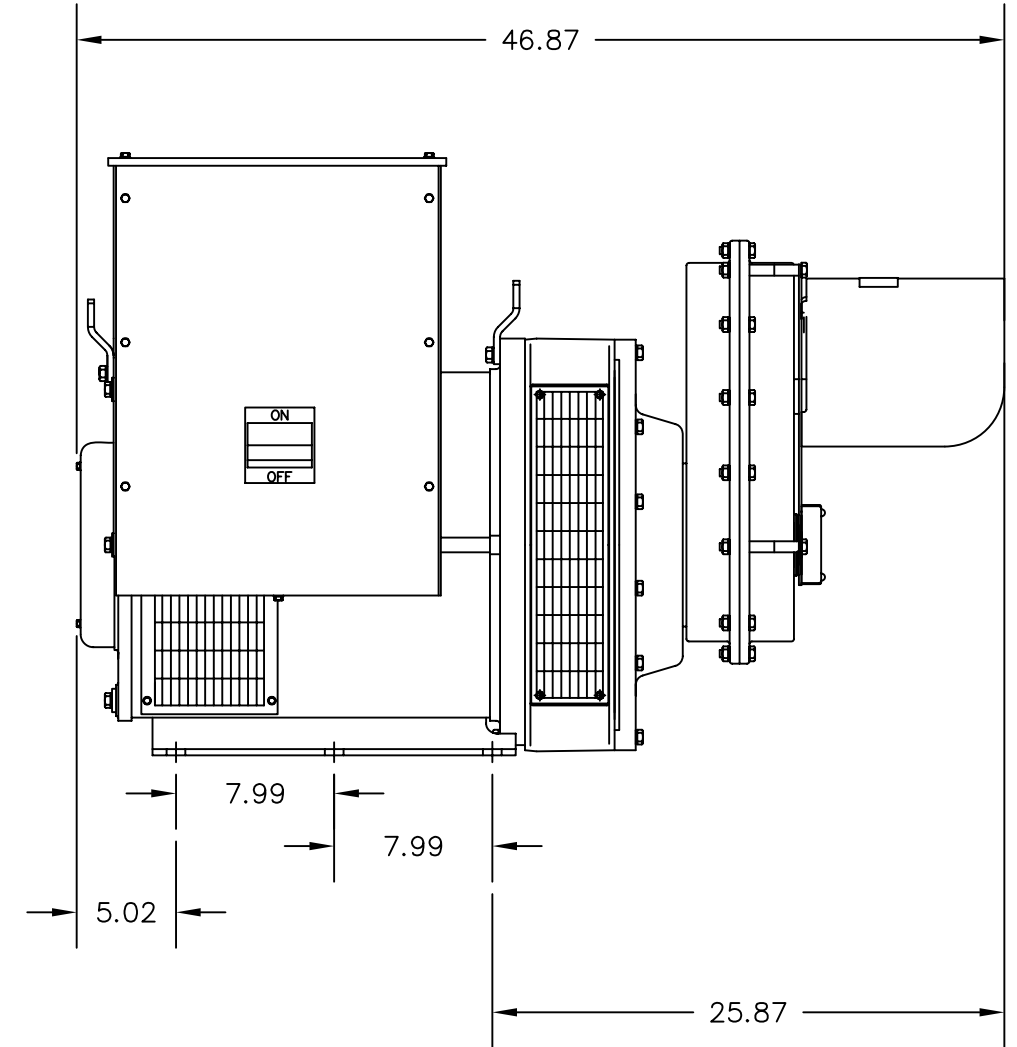
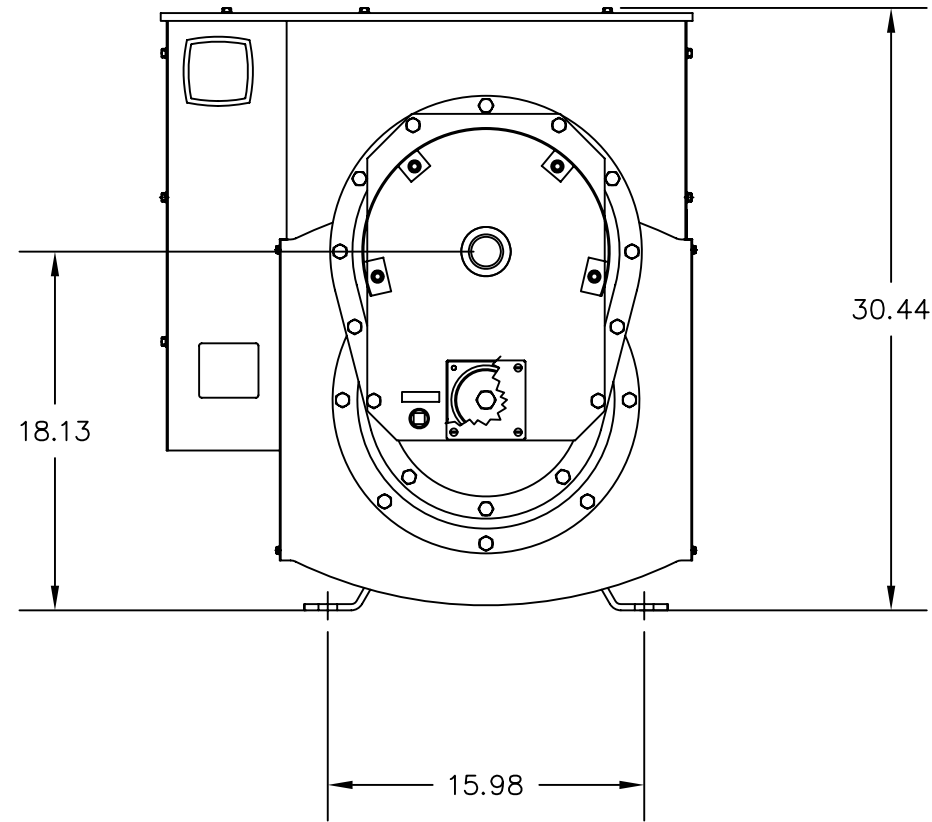
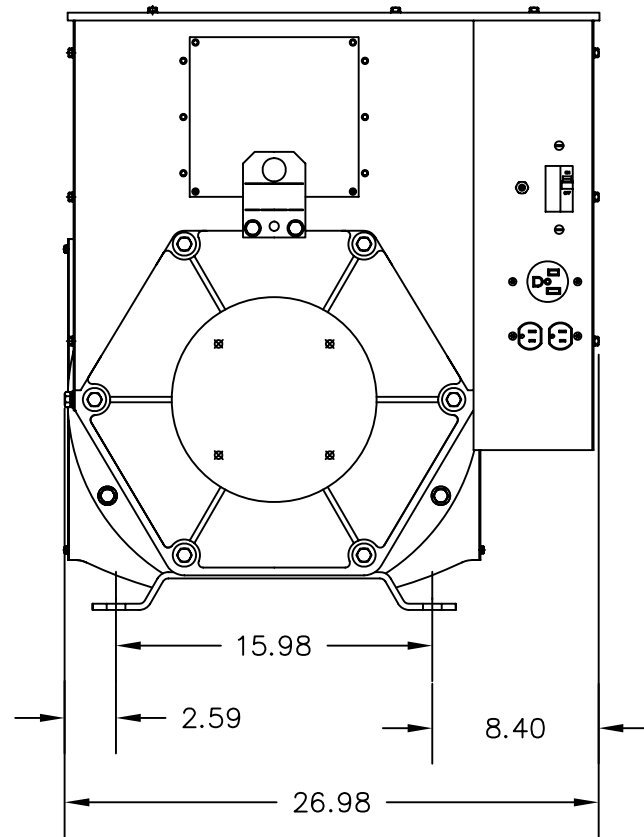


64868-107



MODEL: W145FPTOT-17/C

MODEL: W145FPTOT-4/C

UNLESS OTHERWISE SPECIFIED		MACHINED SURFACE TEXTURE		ALL DIMENSIONS GIVEN IN INCHES			
FRACTIONS ±		ANGULAR		WORK TO DIMENSIONS			
1. PLACE DEC. ± .1		± 1.5°		- DO NOT SCALE -			
2. PLACE DEC. ± .015							
3. PLACE DEC. ± .005							
THIS DRAWING CONTAINS PROPRIETARY INFORMATION BELONGING TO WINCO UNAUTHORIZED USE IS PROHIBITED.	DRAWN BY	DATE	CHKD BY	DATE	APPD BY	DATE	SCALE
	DJR	8/3/12					1=10
	MATERIAL:						
	FINISH	TITLE			OUTLINE DRAWING		
	ASSY	W145FPTOT			W145FPTOT		
						64868-107	