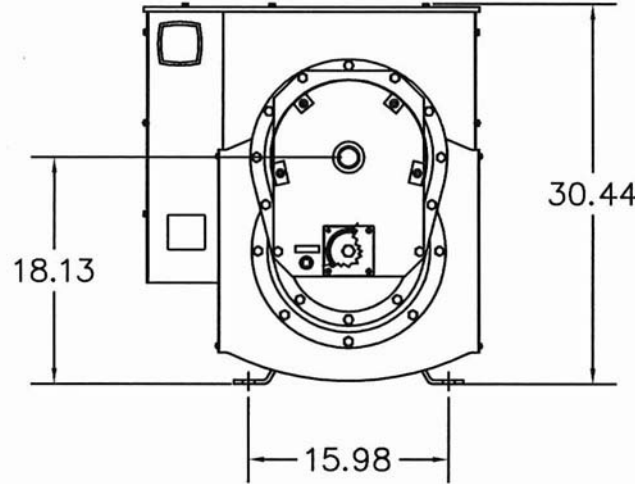
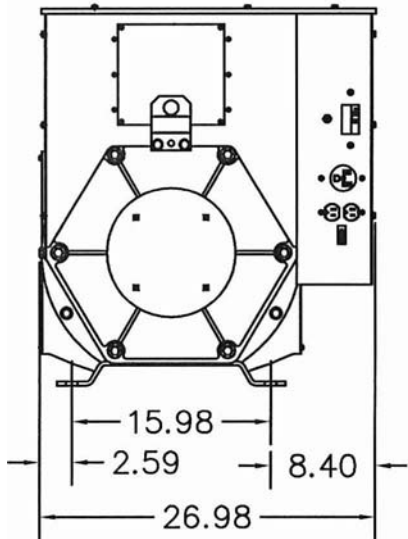
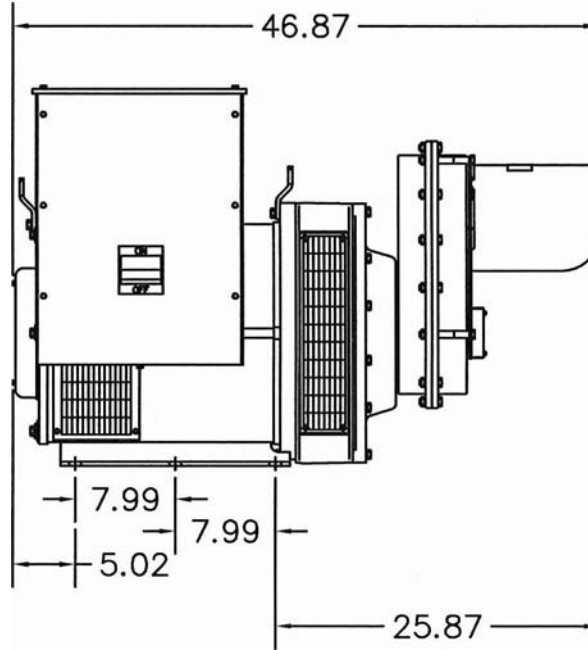


64866-101



UNLESS OTHERWISE SPECIFIED		MACHINED SURFACE TEXTURE		ALL DIMENSIONS GIVEN IN INCHES			
FRACTIONS ±		ANGULAR ± 1.5°		WORK TO DIMENSIONS			
1. PLACE DEC. ± .1				- DO NOT SCALE -			
2. PLACE DEC. ± .015							
3. PLACE DEC. ± .005							
THIS DRAWING CONTAINS PROPRIETARY INFORMATION BELONGING TO WINPOWER. UNAUTHORIZED USE IS PROHIBITED.	DRAWN BY	DATE	CHKD BY	DATE	APPD BY	DATE	SCALE
	DJR	7/19/10					1=10
	MATERIAL:						
	FINISH	TITLE		OUTLINE DRAWING			
	ASSY	W150FPTOS/B & /C		64866-101			
MODEL	W150FPTOS/B /C		WINPOB <sup>®</sup> INCORPORATED				