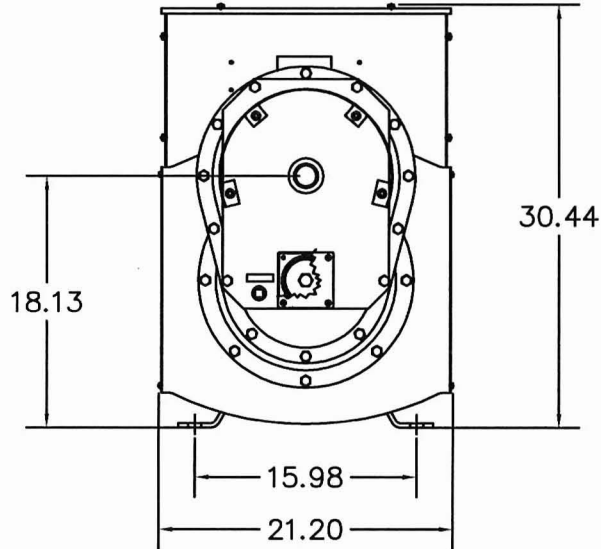
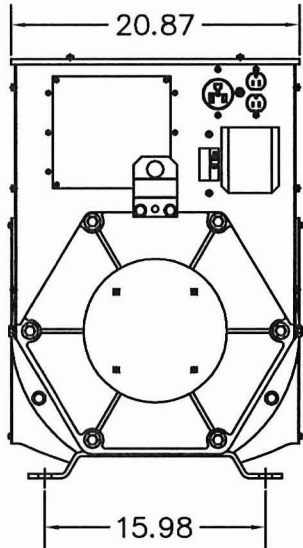
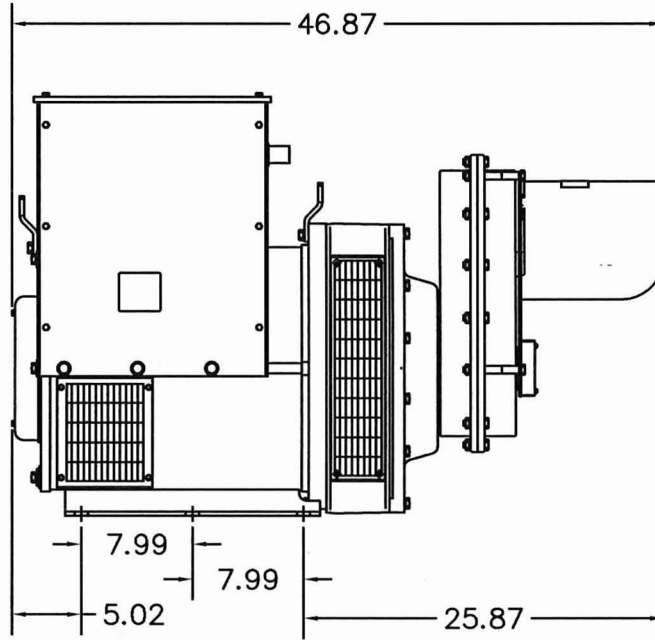


64864-102



UNLESS OTHERWISE SPECIFIED				MACHINED SURFACE TEXTURE		ALL DIMENSIONS GIVEN IN INCHES					
FRACTIONS ±		ANGULAR		WORK TO DIMENSIONS							
1. PLACE DEC. ± .1		± 1.5°		- DO NOT SCALE -							
2. PLACE DEC. ± .015				DRAWN BY		DATE		CHKD BY		DATE	
3. PLACE DEC. ± .005				DJR		7/19/10				DATE	
THIS DRAWING CONTAINS PROPRIETARY INFORMATION BELONGING TO WINCO UNAUTHORIZED USE IS PROHIBITED.				MATERIAL:							
				FINISH		TITLE		OUTLINE DRAWING			
				ASSY		W100FPTOS/B		W100FPTOS/B			
				MODEL		W100FPTOS/B		PART NO.			
				WINCO INCORPORATED				64864-102			