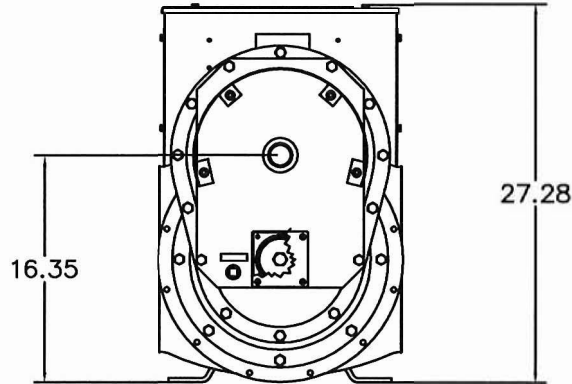
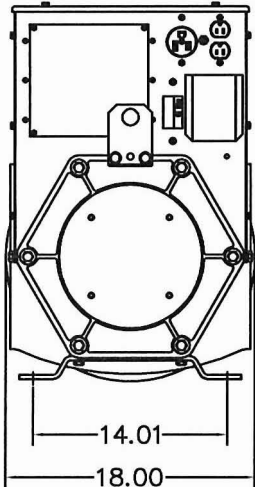
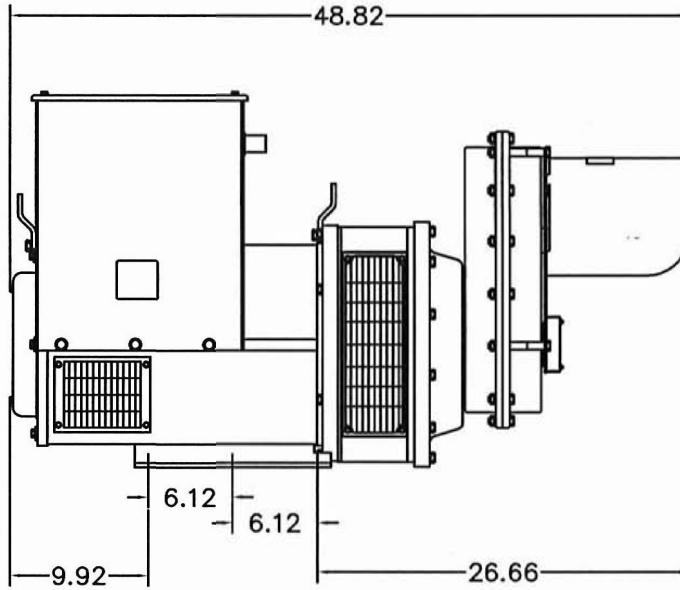


64869-102



UNLESS OTHERWISE SPECIFIED		MACHINED SURFACE TEXTURE		ALL DIMENSIONS GIVEN IN INCHES			
FRACTIONS ±		ANGULAR ± 1.5°		WORK TO DIMENSIONS			
1. PLACE DEC. ± .1				- DO NOT SCALE -			
2. PLACE DEC. ± .015							
3. PLACE DEC. ± .005							
THIS DRAWING CONTAINS PROPRIETARY INFORMATION BELONGING TO WINCO. UNAUTHORIZED USE IS PROHIBITED.	DRAWN BY	DATE	CHKD BY	DATE	APPD BY	DATE	SCALE
	DJR	7/19/10					1=9
	MATERIAL:						
	FINISH	TITLE		OUTLINE DRAWING			
ASSY	W85FPTOS/B		W85FPTOS/B				
MODEL	W85FPTOS/B		PART NO.				
WINCO INCORPORATED						64869-102	