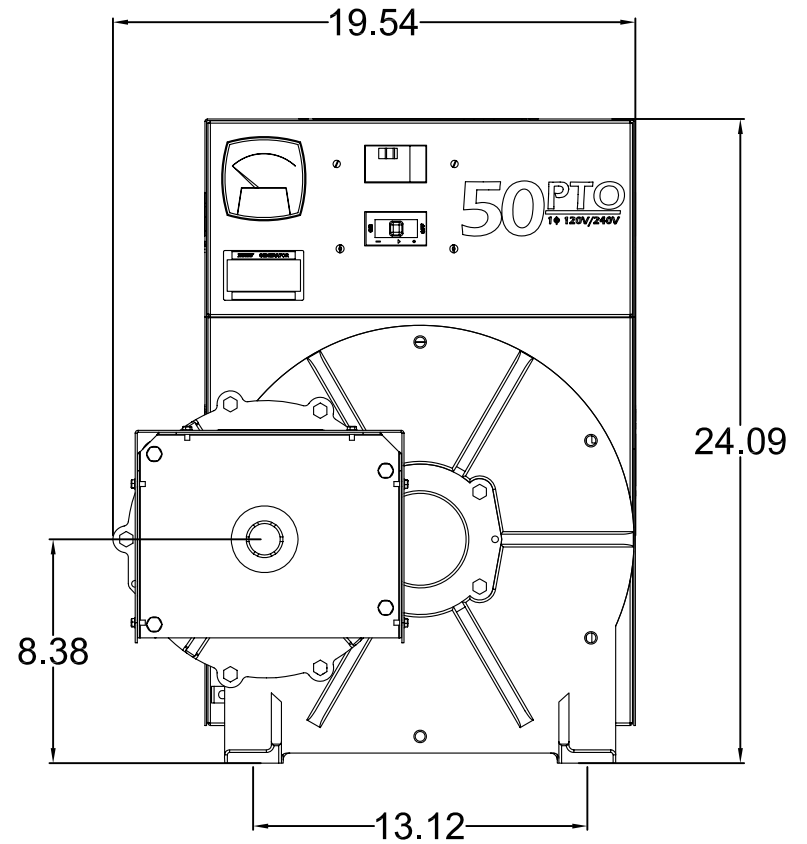
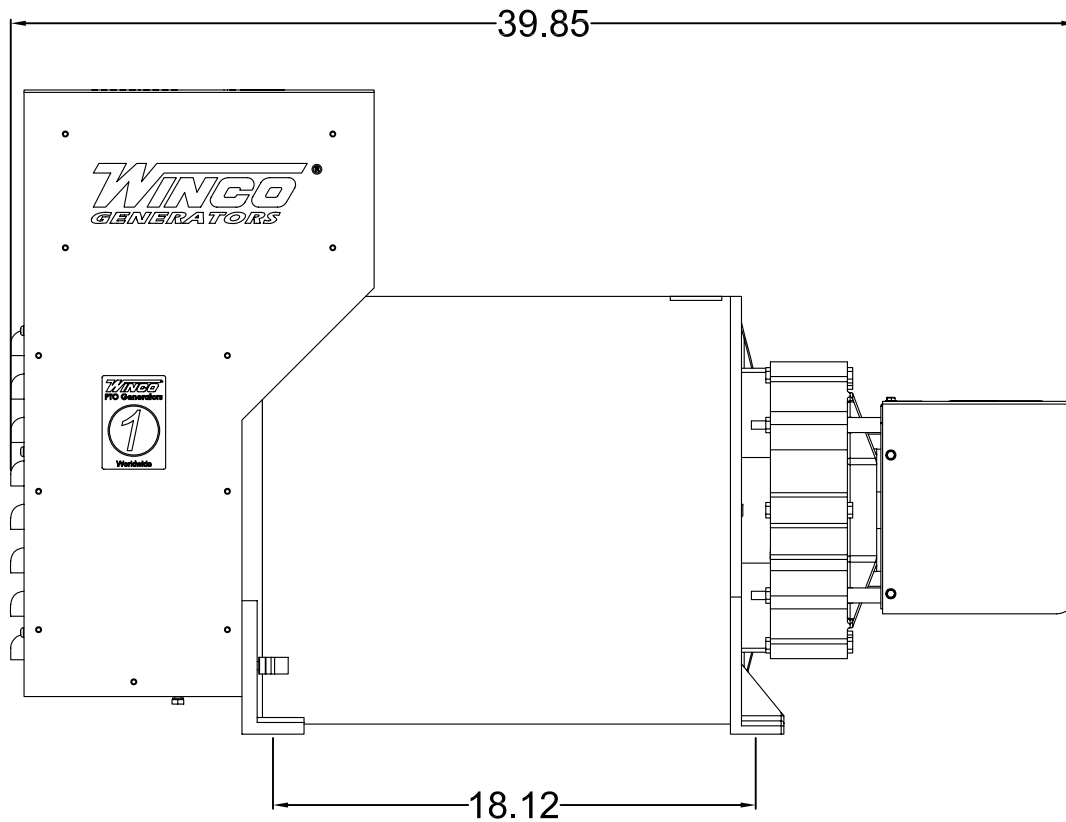


61211-102



OUTLINE DRAWING
50PTOC-3/B

UNLESS OTHERWISE SPECIFIED		MACHINED SURFACE TEXTURE		ALL DIMENSIONS GIVEN IN INCHES			
FRACTIONS ±		ANGULAR ± 1.5°		WORK TO DIMENSIONS			
1. PLACE DEC. ± .1				— DO NOT SCALE —			
2. PLACE DEC. ± .03							
3. PLACE DEC. ± .005							
DRAWN BY	DATE	CH'KD BY	DATE	APP'D BY	DATE	SCALE	
DJR	8/11/11						
MATERIAL:							
FINISH	SEE TABLE	TITLE					
ASSY		OUTLINE DRAWING					
MODEL	50PTOC-3/B	PART NO.					
						61211-102	

THIS DRAWING CONTAINS PROPRIETARY INFORMATION BELONGING TO WINCO. UNAUTHORIZED USE IS PROHIBITED.