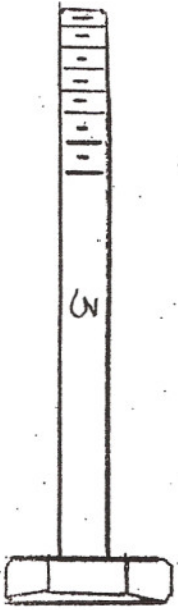
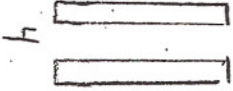
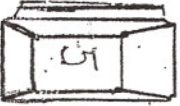
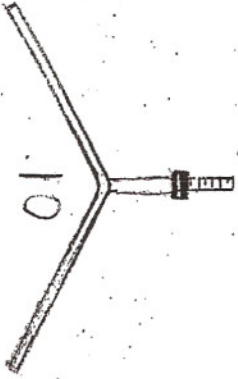
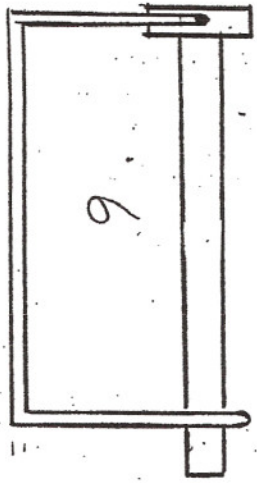
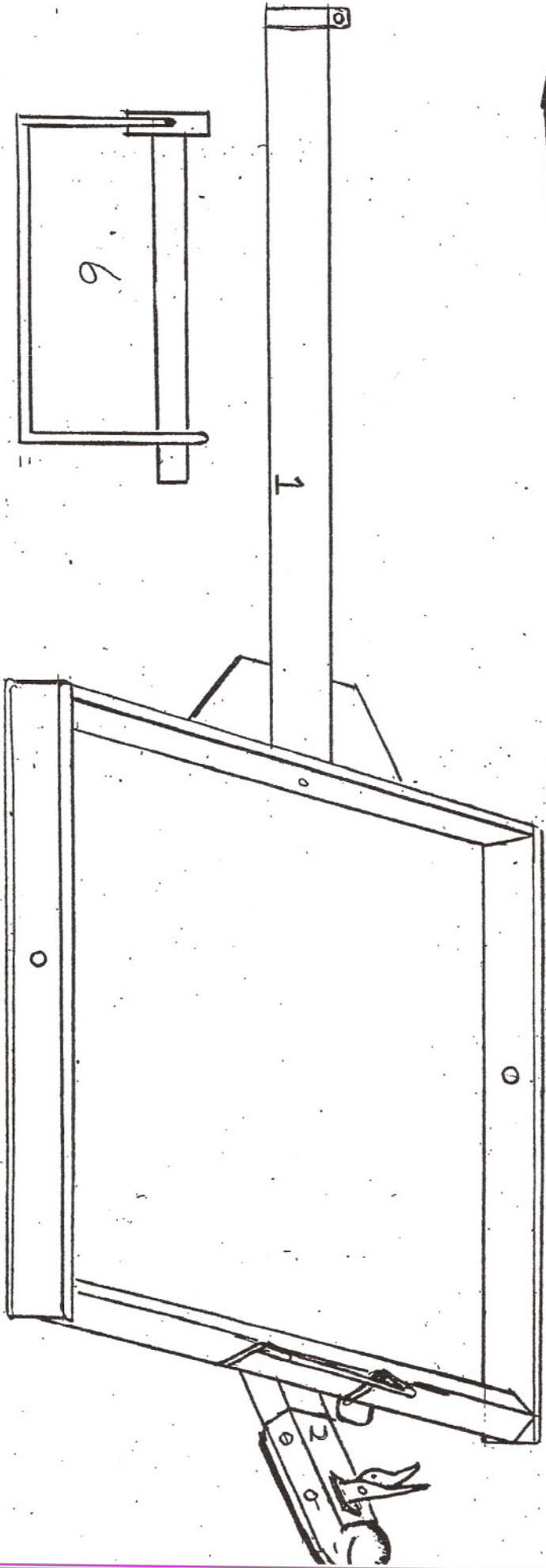
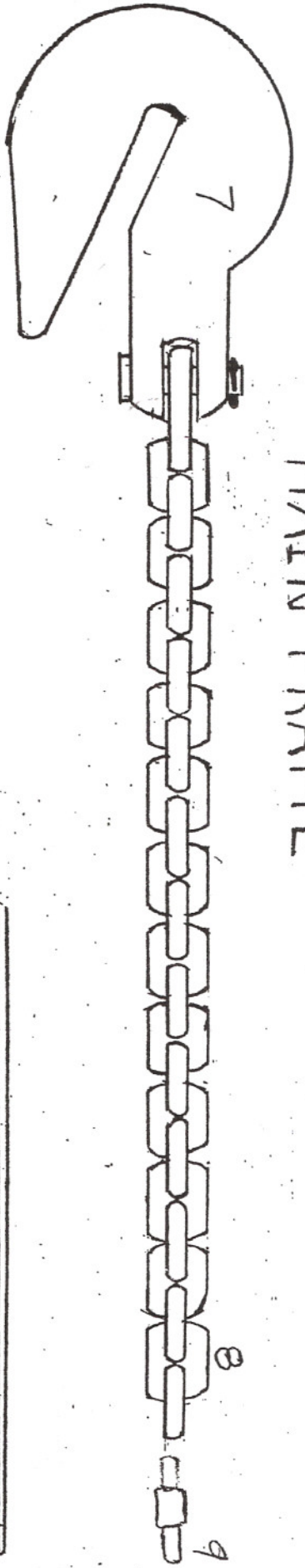
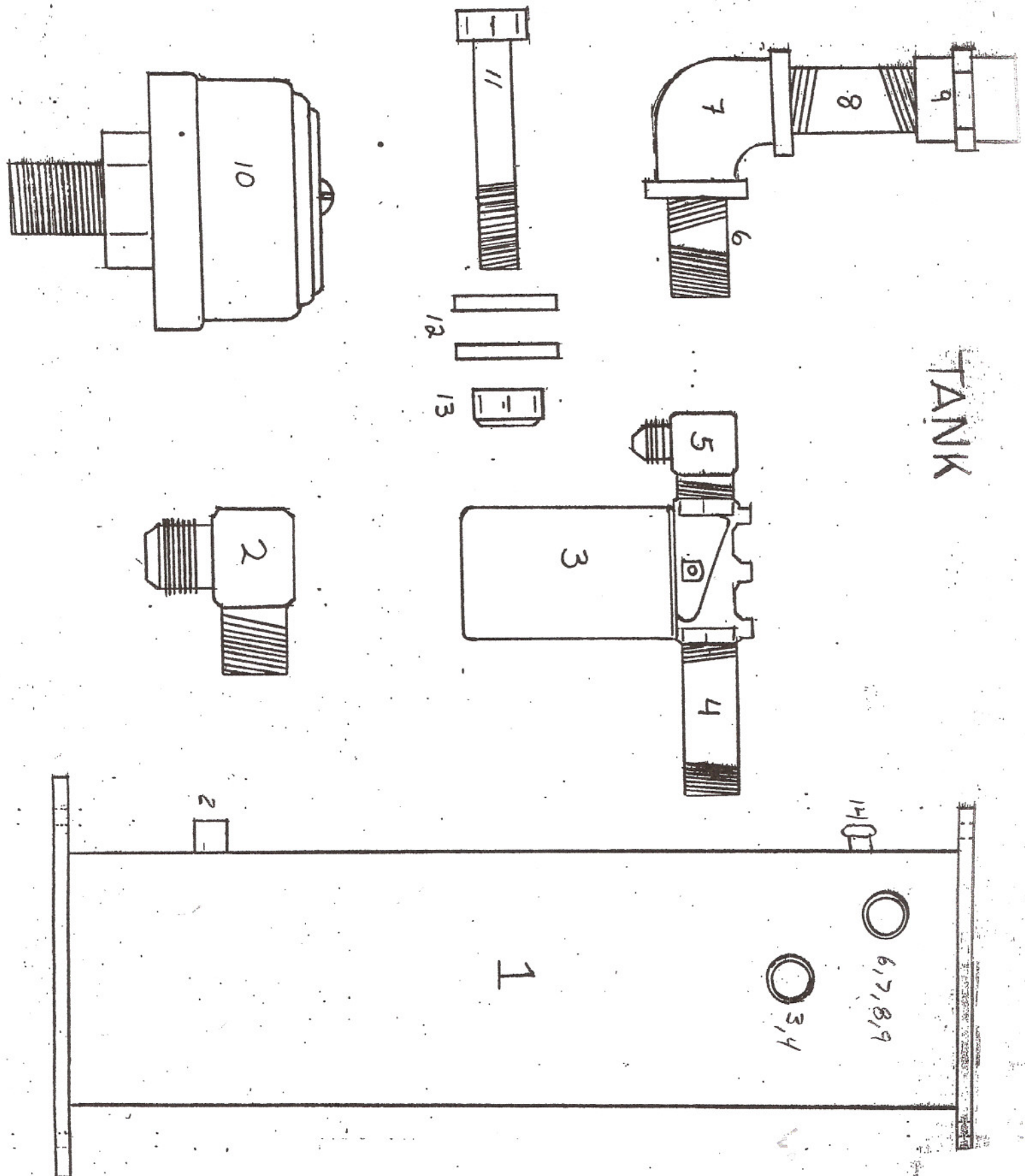


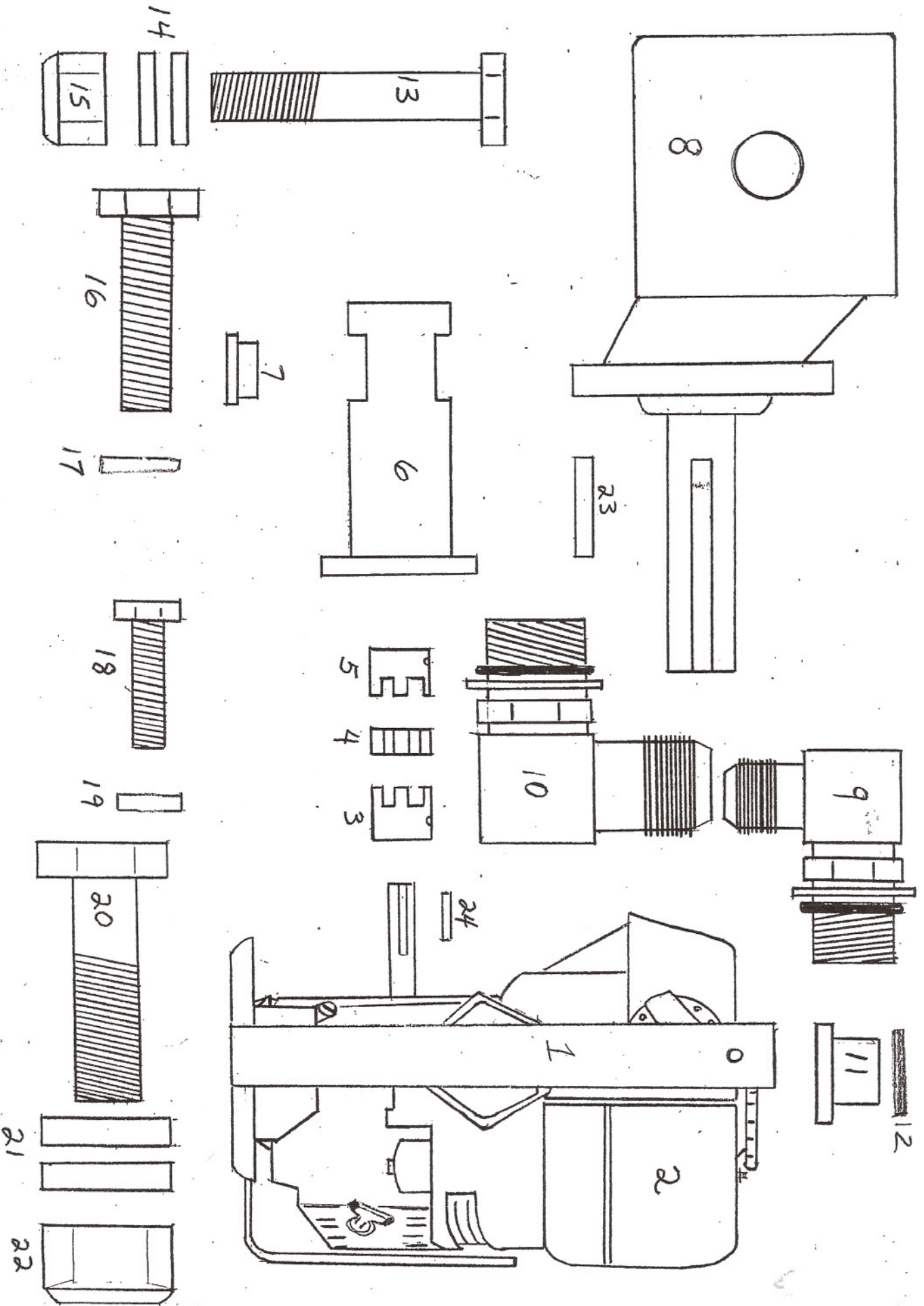
MAIN FRAME



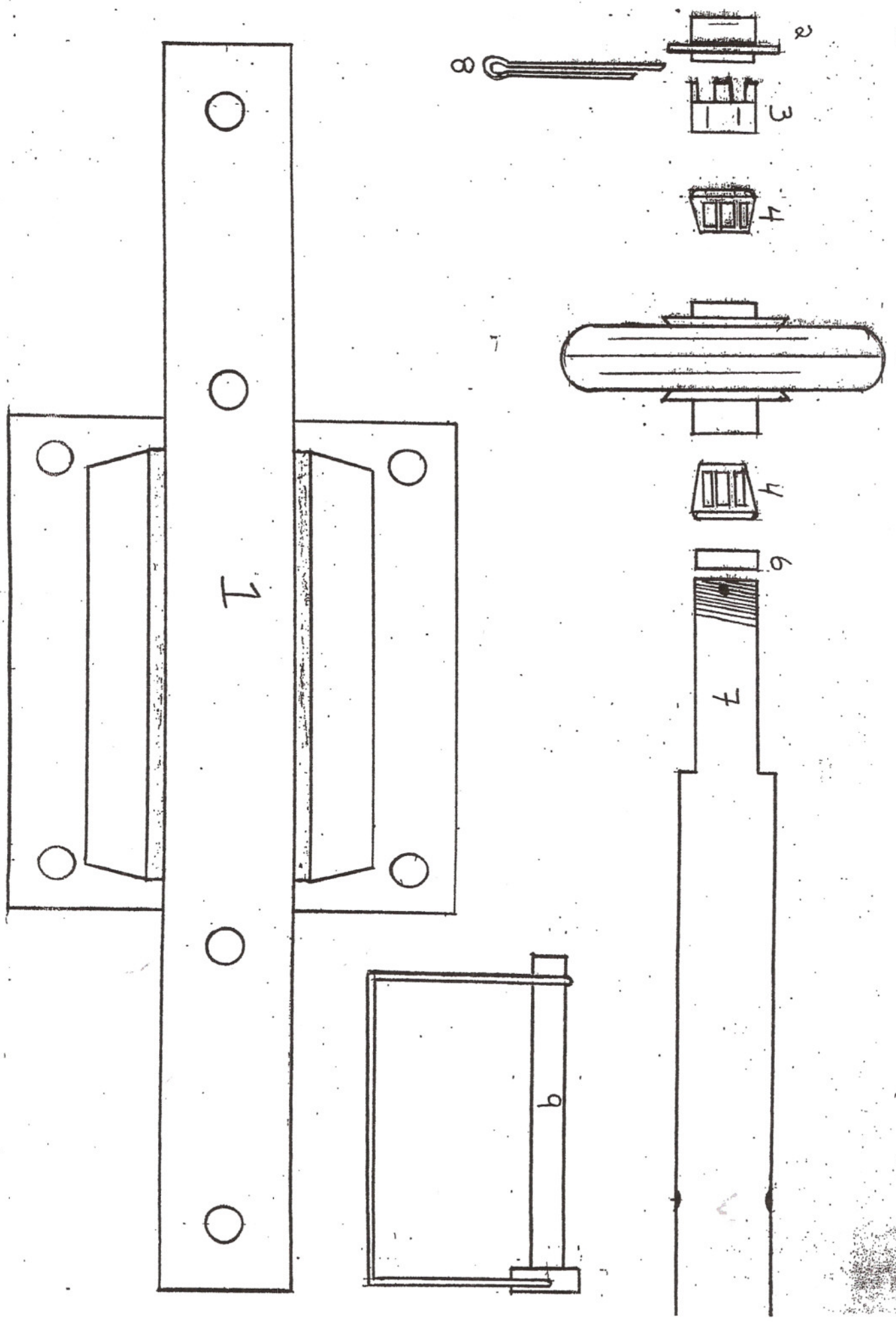
TANK



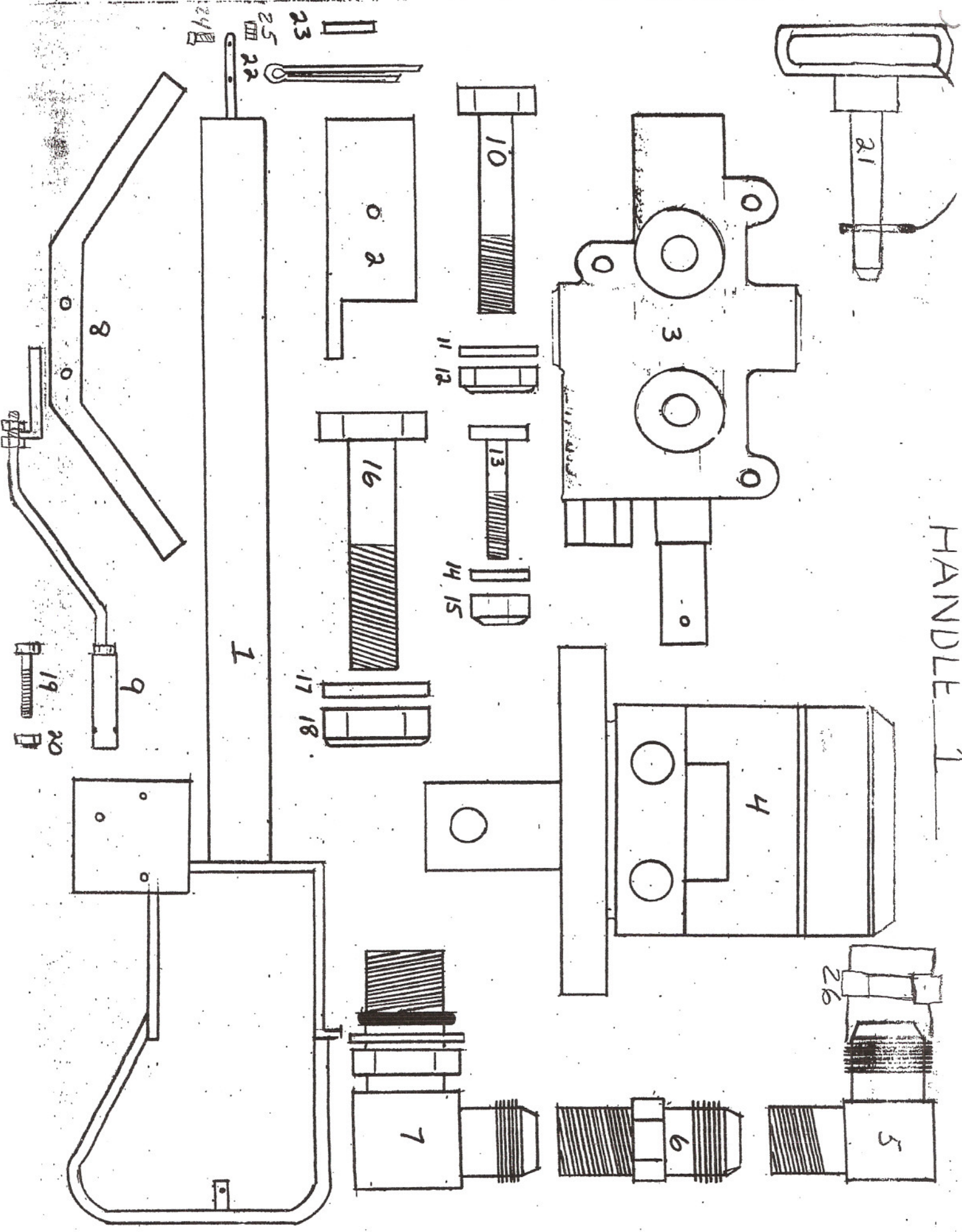
ENGINE CRADLE AND PUMP



AXLE AND AXLE TUBE



HANDLE 1



HOSES

1
2
3
4
5

