



**Discount  
Equipment**

[www.discount-equipment.com](http://www.discount-equipment.com)

Filter	1317008261,UVC 300888 - 302301
Identity	1317008261
Specifications	Product number: 8972422836, Product number: 8972422852, Product number: 8972422851, Division: Portable Air, Product group: Diesel Driven Compressors, Product type: Diesel Medium Air, Product: CPS 400-150 KOD, Product Company: Rockhill

Spare part list	
MAINTENANCEKIT	8972422836
Engine parts	Engineparts
Compressor parts	Compressorparts
SERVICE KIT 500 HOURS	1316205600
SERVICE KIT 1500 HOURS	1316205605
COMPRESSOR OIL	COMPRESSOROIL
COOLANT	COOLANT
Kit:oil seprator	1316020146
KIT: UNLOADER XAS 400-200 PACE	1316020147
BODYWORK	1317000262
Undercarriage	1317000315
FRAME & MOUNTS	1317000269
COMPRESSOR DRIVE	1317000270
Gearset	1310322357
Air inlet	1317000271
AIR OUTLET	1317000035
LABEL SET	1317000301
LABELS	1317000295
No air inlet shutdown	1317000258
Safety valve	1310322352
NO AFTERCOOLER	1317000050
ENGINE SYSTEM	1317000260
Engine	1316012500
Fuel system	1317000273
OIL SYSTEM	1317000313
REGULATING SYSTEM:MANUAL	1317000297
Exhaust System	1317000261
COOLING SYSTEM	1317000274
ELECTRICAL SYSTEM	1317000298
BATTERY:1100CCA GROUP 31	1310312501
ROADLIGHTS	1317000040
Control panel	1317000296
No eft	1317000316
No jockey wheel	1317000294
DUAL HOSE REEL	1317000192
SINGLE HOSE REEL	1317000191
SINGLE HOSE REEL	1317000190
Tool box	1317000187
AFTERCOOLER	1317000182
Fork pockets	1317000184
DUAL HOSE REEL	1317000193
Coupler 2"	1310312005
Coupler 1"	1310312359
AFTERCOOLER	1317000156
QUICKFIT ASSEMBLY	1317000790
Coupler - Loose ball Coupling 2-5/16	1310312358
Block heater	1317000479
EXTERNAL FUEL	1317000481
Bodywork sunbelt	1317000322

---

GOP:solar charg	1317000553
SKID	1317000183
Side markers	1317000482
SMARTBOX	1317000291
Air inlet shutdown	1317000480
DRAIN PORT:PD/DD FILTER ASY	1310963881
OSHA VALVE	1310050121
KIT:QUICKFIT	1316010372
FIRE EXTINGUISHER : 2.5LB ABC VM	1316162100
BRACKET:ASSY LWR CAN DOOR	1316283180
BAFFLE ASSEMBLY SUNBELT	1316113981
ROOF ASSEMBLY	1316115980
FRONT CANOPY SUNBELT	1316114481
BAFFLE ASSEMBLY	1316176080
ROOF SPINE ASSEMBLY:BLACK	1316176180
KIT-CANOPY	1316176500
Module	1638886200
Roof assembly	1316115960
Canopy rear PE	1316115770
ROOF:UPPER ASSEMBLY BLACK	1316176150



**CPS 400-150**

Engine	DIESEL: KOHLER
Engine oil capacity	20.8 Liter / 5.5 US Gallon
Engine coolant capacity	23.6 Liter / 6.25US Gallon

Maintenance kits	
Description	Order number
Service pack 500 hours	1316205600
Service pack 1500 hours	1316205605

Fluids	
Description	Order number
Can Gencool EG 5 Liter/1.32 Gallon	1626225501
Can Gencool EG 20 Liter/5.3 Gallon	1626225601
Can Genoil S 20 Liter/5.3 Gallon	1630017500
Can Genoil S Ultra 20 Liter/5.3 Gallon	1630024900
Can Genoil S Ultra 210 Liter/55.5 Gallon	2914000002

Compressor parts	
Description	Order number
Bearing	0504020013
Level gauge	1616510800
Lipseal	1616562580
Non return valve	0823005009
Pressure sensor	1607852288
Temperature sensor	1089057470
Valve 71 degree celcius	1622706405
Valve solenoid	1089951504

Engine parts	
Description	Order number
Air filter indicator	4810060664
Alternator	4810072666
Catalyst	4810072660

Engine parts	
Description	Order number
Coolant pump	4810072653
Coolant pump o-ring	4810072654
Egr valve	4810068935
Fan:28+ dia.	1316139400
Fuel feeding pump	4810063599
Fuel level sensor	1310074645
Fuelcap	1310924378
Injection pump gasket	4810060624
Injection pump	4810072643
Injector assembly	4810072641
Injector gasket	4810060602
Oil cap	4810060669
Oil cap o-ring	4810060600
Oil dipstick o-ring	4810072651
Oil dipstick	4810072650
Oil filter gasket kit	4810060662
Oil pressure switch	4810060648
Oil pump	4810072648
Oil sump plug	4810060670
Poly v-belt	4810072492
Sensor (phase)	4810072670
Sensor (speed)	4810072671
Starter motor	4810072674
Temperature switch water	4810060660
Thermostatic valve	4810072652
T-map sensor	4810060659
Turbocharger	4810072655

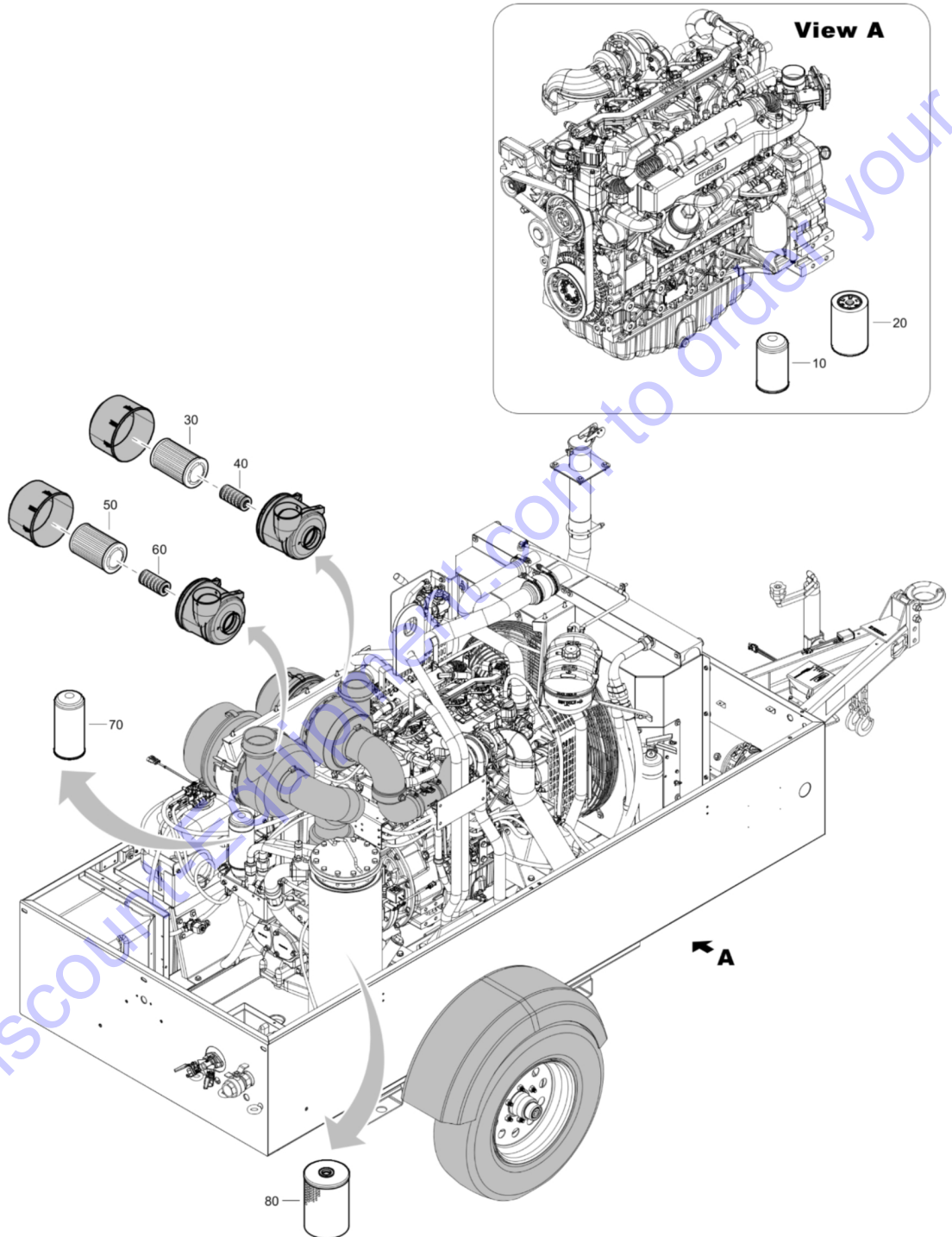
Service intervals	
Change oil engine	Every 500 hours / 1 year
Change oil Compressor	Every 1500 hours / 2 years
Change coolant engine	Every 5000 hours

Scan QR code for more information  
1317005075

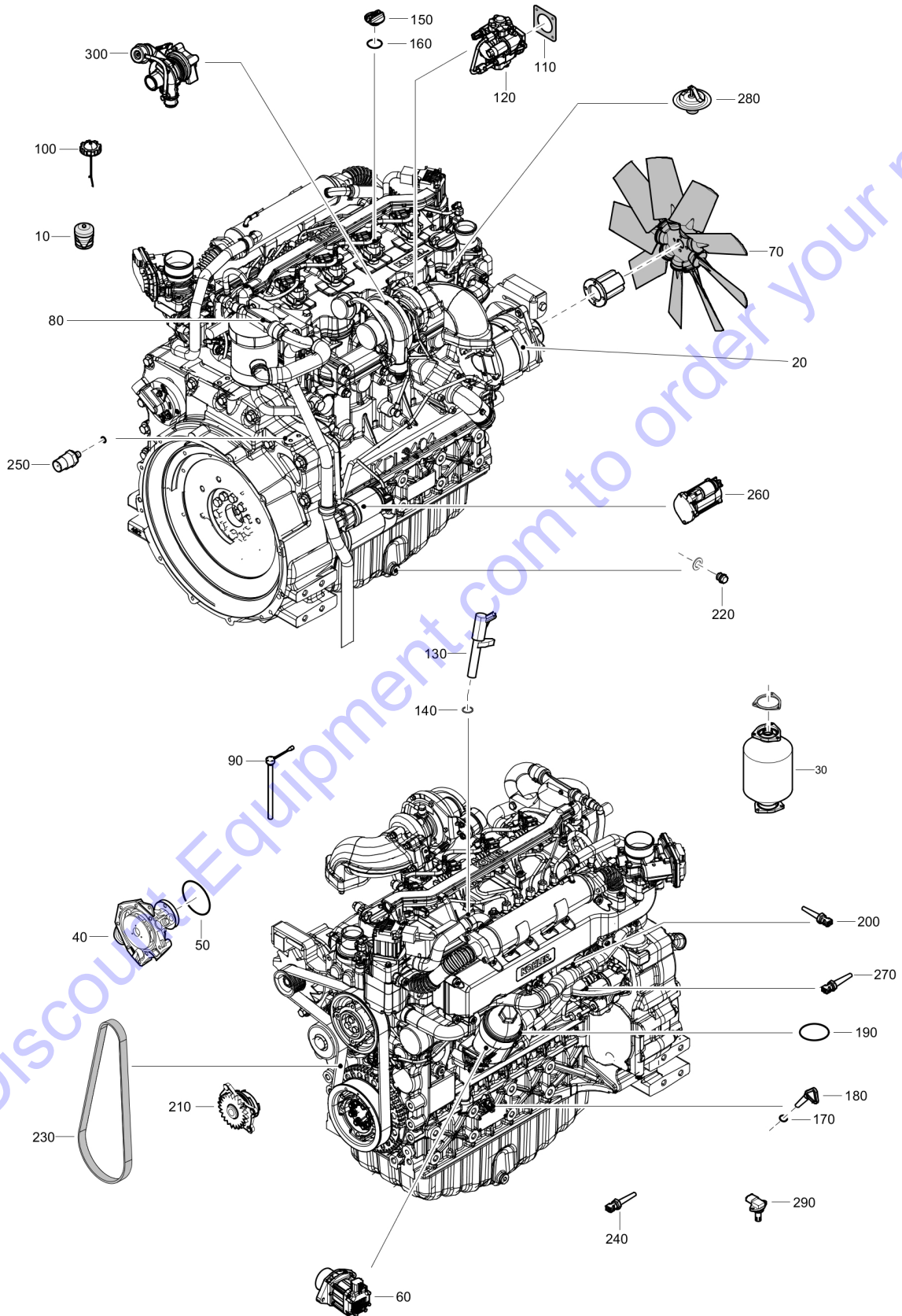
[www.cp.com](http://www.cp.com)

Id	Qty	Number	Name	Specifications

Go to [Discount-Equipment.com](http://Discount-Equipment.com) to order your parts

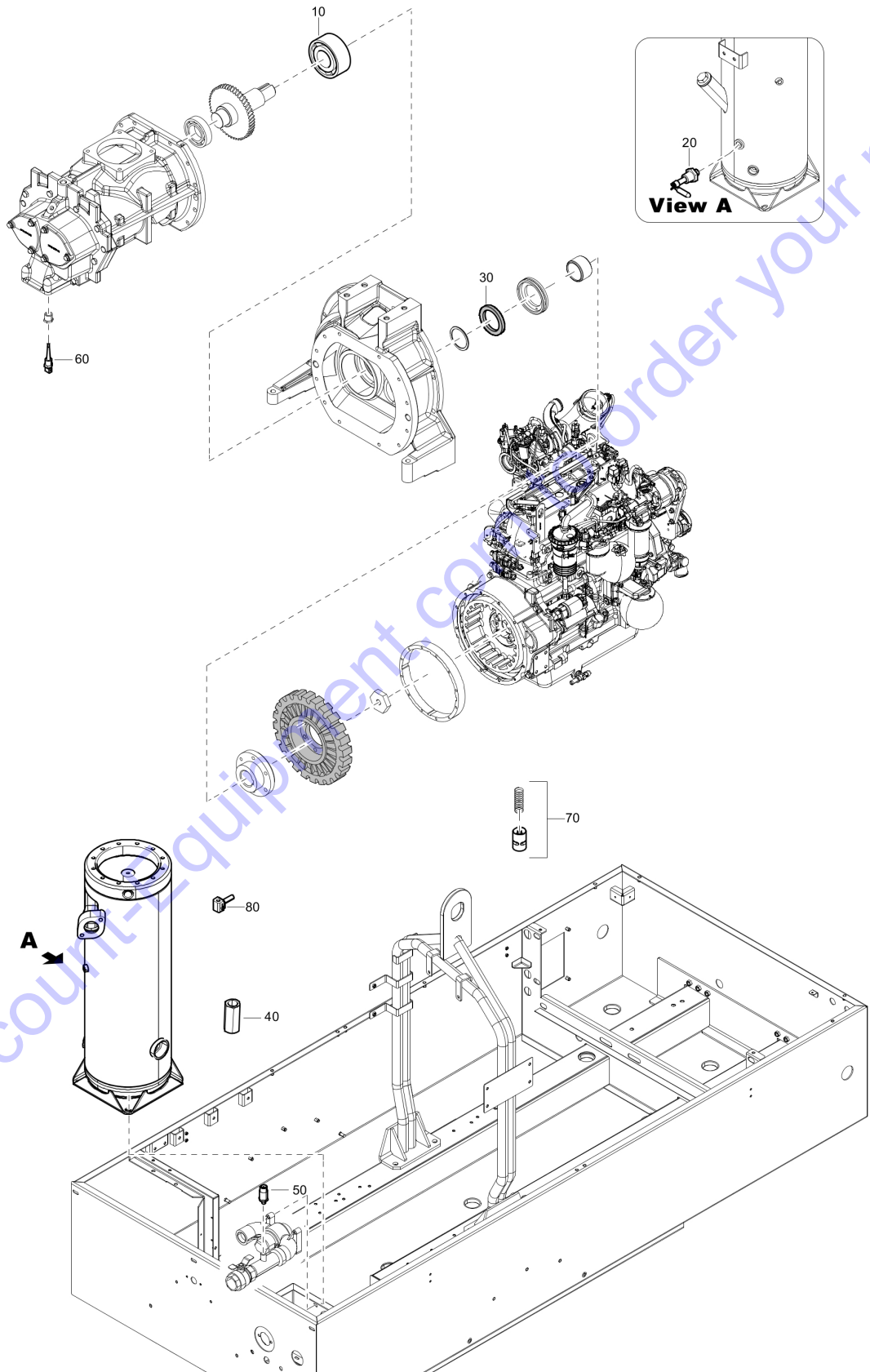


<b>Id</b>	<b>Qty</b>	<b>Number</b>	<b>Name</b>	<b>Specifications</b>
-	1	1316205600	SERVICE PACK 500 HOURS	
10	1		OIL FILTER CARTRIDGE	
20	1		FUEL FILTER ELEMENT	
30	1		Filter element	
40	1		Filter air	
-	1	1316205605	SERVICE PACK 1500 HOURS	
10	1		OIL FILTER CARTRIDGE	
20	1		FUEL FILTER ELEMENT	
30	1		Element filter	
40	1		Filter air	
50	1		Filter element	
60	1		Filter air	
70	1		Oil filter	
80	1		Oil separator kit	
A20	1		O-ring:M196 x 3	
-	1		Compressor Oil	
90	1	1630017500	GENOIL S CAN 20L	
90		1626225800	CAN PAROIL EXTRA 5 LITER/1.32 GALLON	
100	1	1630024900	CAN GENOIL S ULTRA 20 LITER/5.2 GALLON	
100		1626225900	CAN PAROIL EXTRA 20 LITER/5.3 GALLON	
110	1	2914000002	CAN GENOIL S ULTRA 210 LITER/55.5 GALLON	
-	1		COOLANT	
120	1	1626225501	CAN GENCOOL EG 5 LITER/1.32 GALLON	
110	1	1626225501	CAN GENCOOL EG 5 LITER/1.32 GALLON	
130	1	1626225601	CAN GENCOOL EG 20 LITER/5.3 GALLON	
120	1	1626225601	CAN GENCOOL EG 20 LITER/5.3 GALLON	
130	1	1630013411	CAN GENCOOL GREEN 5L	
140	1	1630013416	CAN GENCOOL GREEN 20L	
150	1	1630017500	GENOIL S CAN 20L	
160	1	1630024900	CAN GENOIL S ULTRA 20 LITER/5.2 GALLON	
170		2914000002	CAN GENOIL S ULTRA 210 LITER/55.5 GALLON	



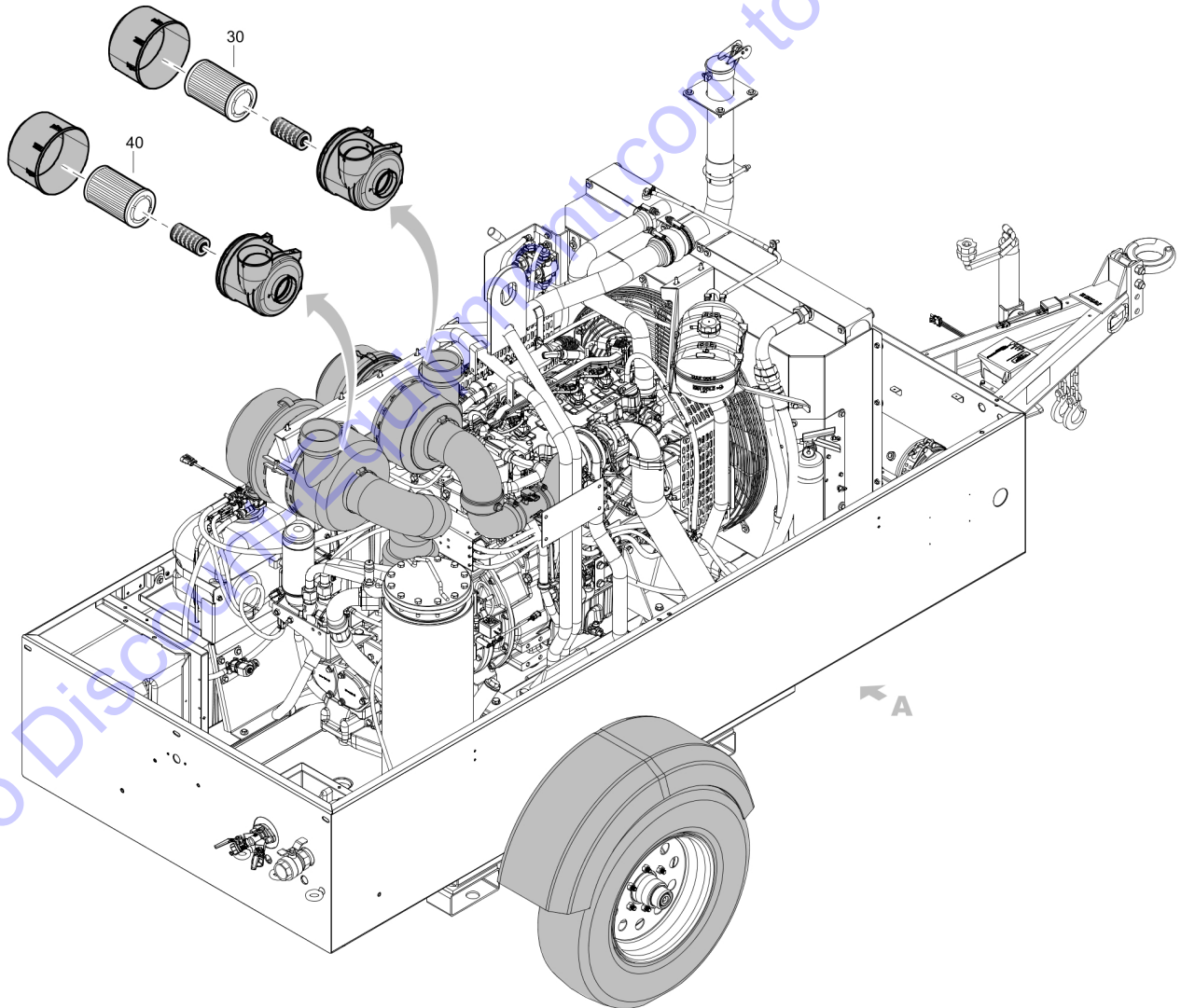
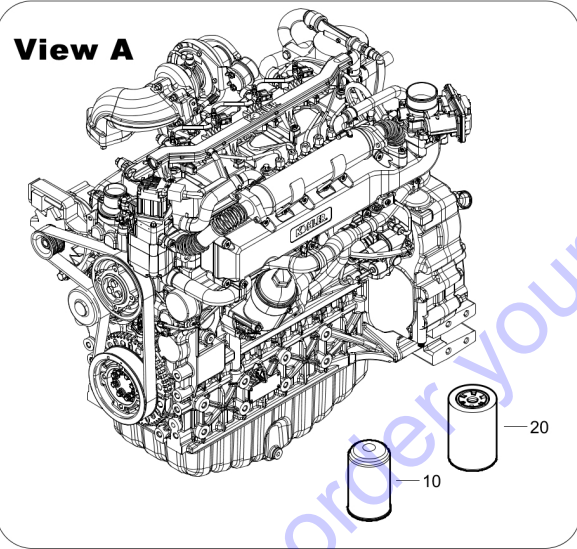


<b>Id</b>	<b>Qty</b>	<b>Number</b>	<b>Name</b>	<b>Specifications</b>
10	1	4810060664	AIR FILTER INDICATOR	
20	1	4810072666	ALTERNATOR	
30	1	4810072660	CATALYST	
40	1	4810072653	COOLANT PUMP	
50	1	4810072654	COOLANT PUMP O-RING	
60	1	4810068935	EGR VALVE	
70	1	1316139400	FAN:28" DIA.	
80	1	4810063599	FUEL FEEDING CAP	
90	1	1310074645	FUEL LEVEL SENSOR	
100	1	1310924378	FUELCAP:KELCH 3.5" (BLACK)	
110	1	4810060624	INJECTION PUMP GASKET	
120	1	4810072643	INJECTION PUMP	
130	1	4810072641	INJECTOR ASSY:KDI3404TCR	
140	1	4810060602	INJECTOR GASKET	
150	1	4810060669	OIL CAP	
160	1	4810060600	OIL FILLING CAP O-RING	
170	1	4810072651	OIL DIPSTICK O-RING	
180	1	4810072650	OIL DIPSTICK:KDI3404TCR	
190	1	4810060662	OIL FILTER GASKET KIT	
200	1	4810060648	OIL PRESSURE SWITCH	
210	1	4810072648	OIL PUMP:KDI3404TCR	
220	1	4810060670	OIL SUMP PLUG	
230	1	4810072492	POLY V-BELT	
240	1	4810072670	SENSOR (PHASE)	
250	1	4810072671	SPEED SENSOR	
260	1	4810072674	Starter motor	
270	1	4810060660	TEMPERATURE SWITCH	
280	1	4810072652	THERMOSTATIC VALVE	
290	1	4810060659	T-MAP SENSOR	
300	1	4810072655	TURBOCHARGER	



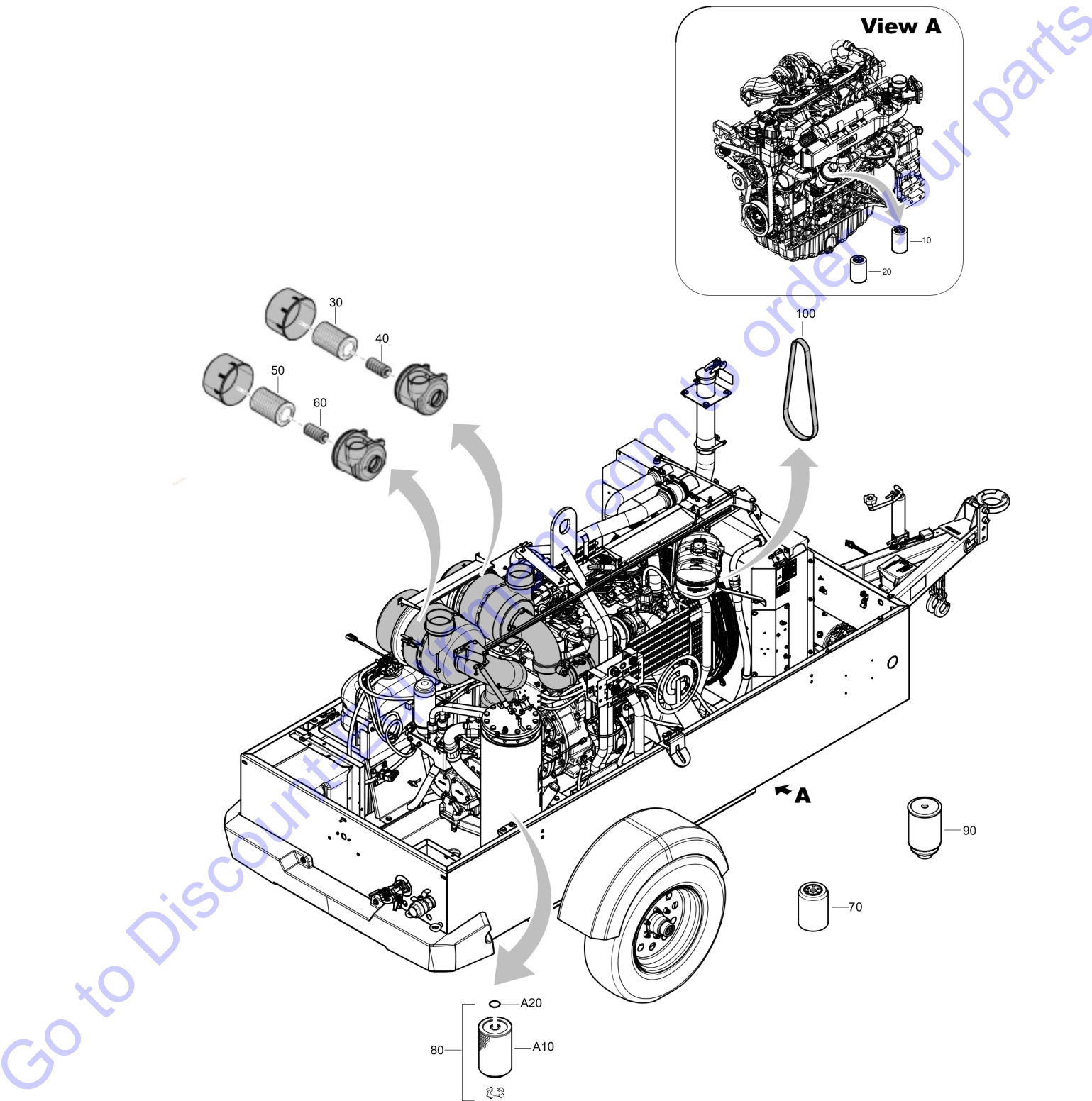
<b>Id</b>	<b>Qty</b>	<b>Number</b>	<b>Name</b>	<b>Specifications</b>
10	1	0504020013	BEARING	
20	2	1616510800	LEVEL INDICATOR	
30	1	1616562580	LIPSEAL	
40	1	0823005009	VALVE CHECK	
50	1	1607852288	PRESSURE SENSOR	
60	1	1089057470	TEMPERATURE SENSOR PT1000	
70	1	1622706405	VALVE:THERMOSTATIC 160F	
80	1	1089951504	VALVE-SOLENOID:12V	1/4G

Go to Discount-Equipment.com to order your parts



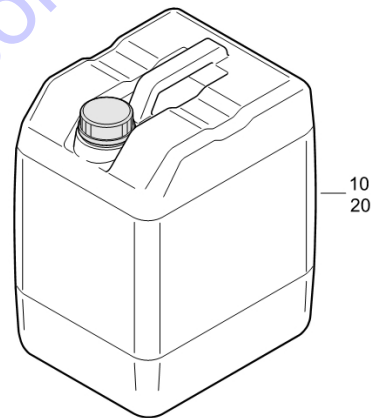
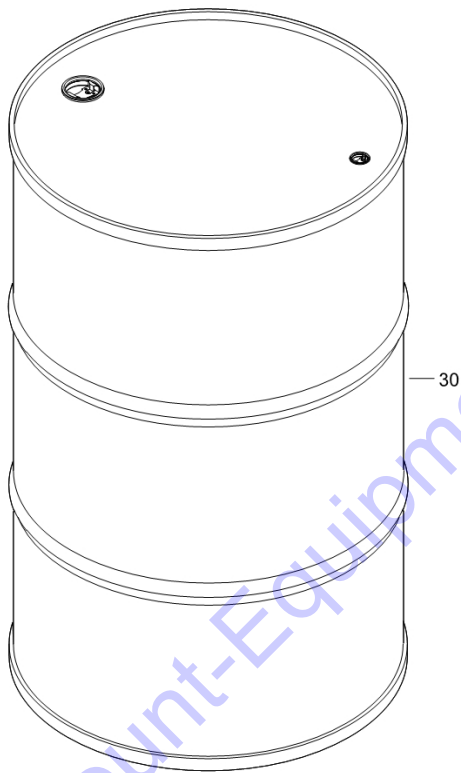
<b>Id</b>	<b>Qty</b>	<b>Number</b>	<b>Name</b>	<b>Specifications</b>
-	1	1316205600	SERVICE PACK 500 HOURS	
10	1	1316020572	OIL FILTER ELEMENT: OEM	
20	1	1316020571	FUEL FILTER:OEM	
30	1	6211474350	ELEMENT FILTER	
40	1	6211475050	ELEMENT FILTER	

Go to Discount-Equipment.com to order your parts



Id	Qty	Number	Name	Specifications
-	1	1316205605	SERVICE PACK 1500 HOURS	
10	1	1316020572	OIL FILTER ELEMENT: OEM	
20	1	1316020571	FUEL FILTER:OEM	
30	1	6211474350	ELEMENT FILTER	
40	1	1092100590	FILTER AIR	
50	1	6211475050	ELEMENT FILTER	
60	1	1092100690	FILTER AIR	
70	1	1316285290	FILTER:OIL-QUICK FIT PACKAGED	
80	1	1316285390	KIT:SEPARATOR	Version: 00
A10	1	1316285300	FILTER:ELEMENT-VESSEL	
A20	1	0663210949	ANEL O 196X3	
90	1	1316010318	DEF PUMP FILTER	
100	1	4810072492	POLY V-BELT	

Go to Discount-Equipment.com to order your parts

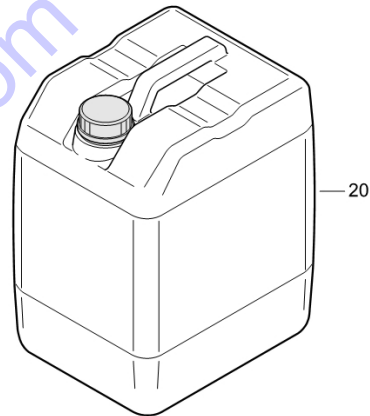
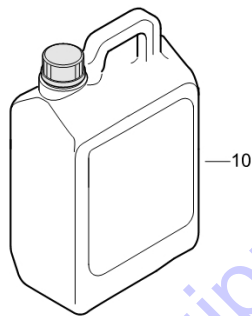


Go to Discount-Equipment.com to order your parts



<b>Id</b>	<b>Qty</b>	<b>Number</b>	<b>Name</b>	<b>Specifications</b>
10	1	1630017500	GENOIL S CAN 20L	
20	1	1630024900	CAN GENOIL S ULTRA 20 LITER/5.2 GALLON	
30	1	2914000002	CAN GENOIL S ULTRA 210 LITER/55.5 GALLON	

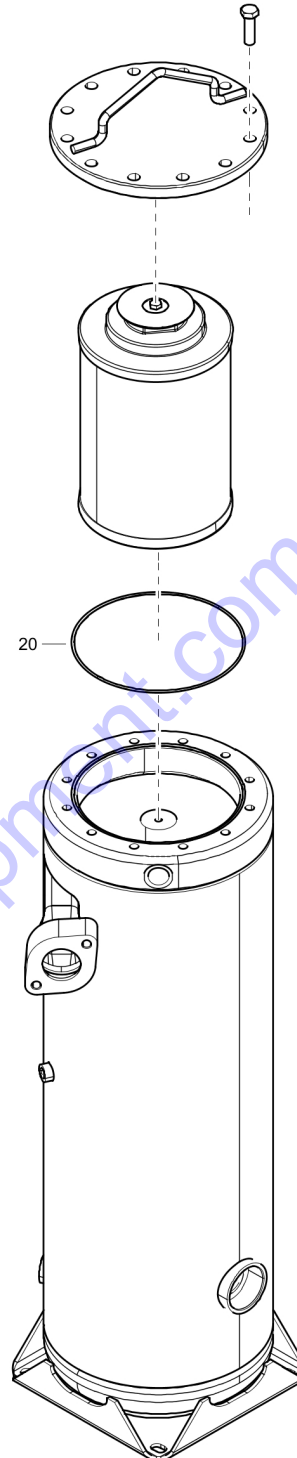
Go to Discount-Equipment.com to order your parts



Go to [Discount-Equipment.com](http://Discount-Equipment.com) to order your parts

Id	Qty	Number	Name	Specifications
10	1	1626225501	CAN GENCOOL EG 5 LITER/1.32 GALLON	
20	1	1626225601	CAN GENCOOL EG 20 LITER/5.3 GALLON	

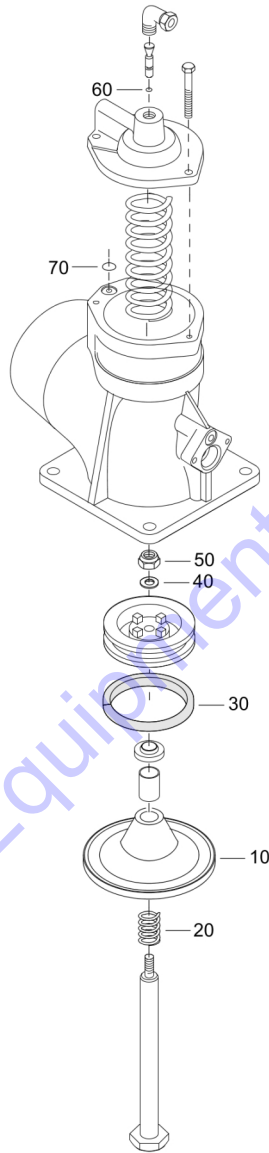
Go to Discount-Equipment.com to order your parts



Go to Discount-Equipment.com to order your parts

<b>Id</b>	<b>Qty</b>	<b>Number</b>	<b>Name</b>	<b>Specifications</b>
20	1	0663210949	ANEL O 196X3	

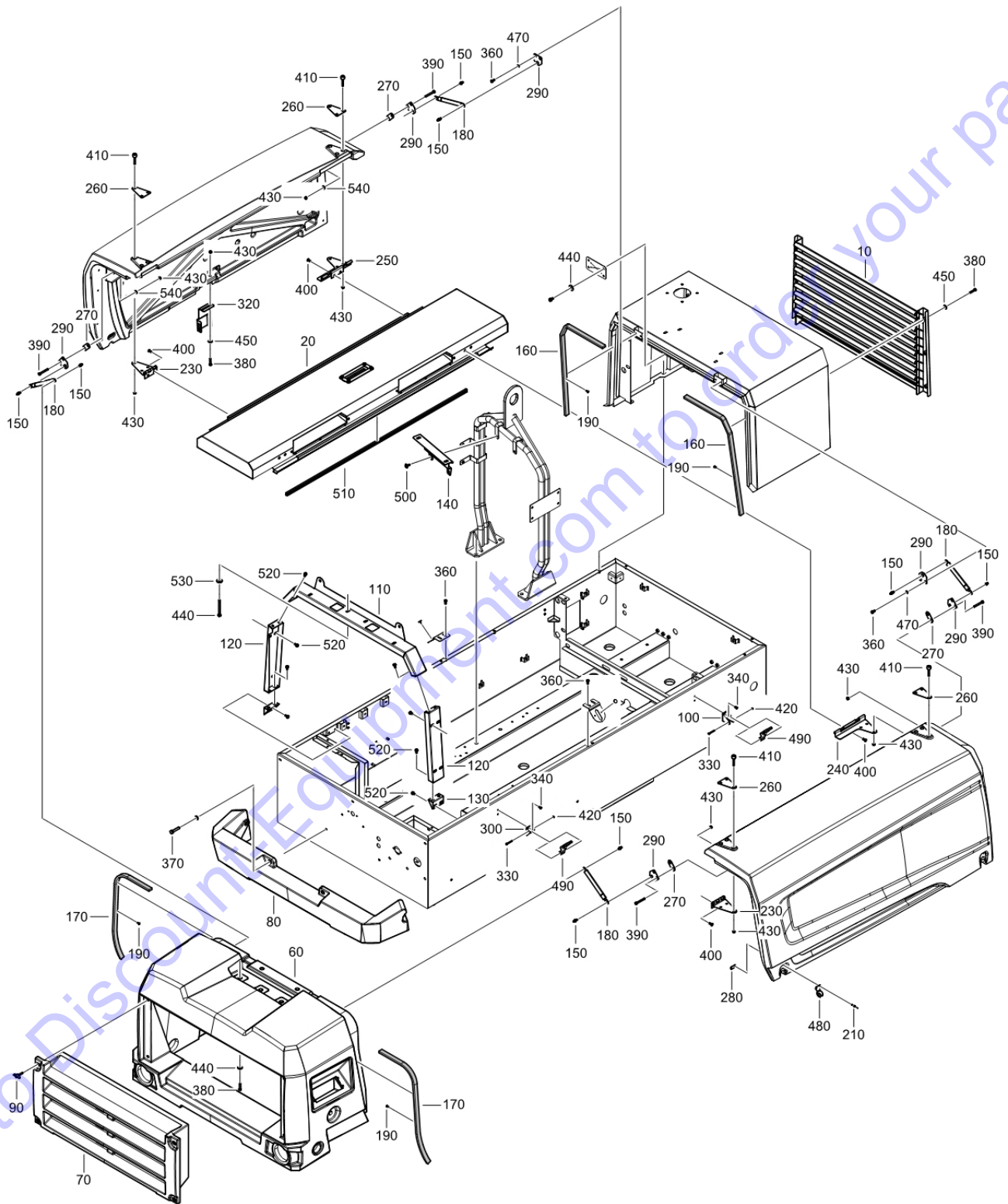
Go to Discount-Equipment.com to order your parts



Go to Discount-Equipment.com to order your parts

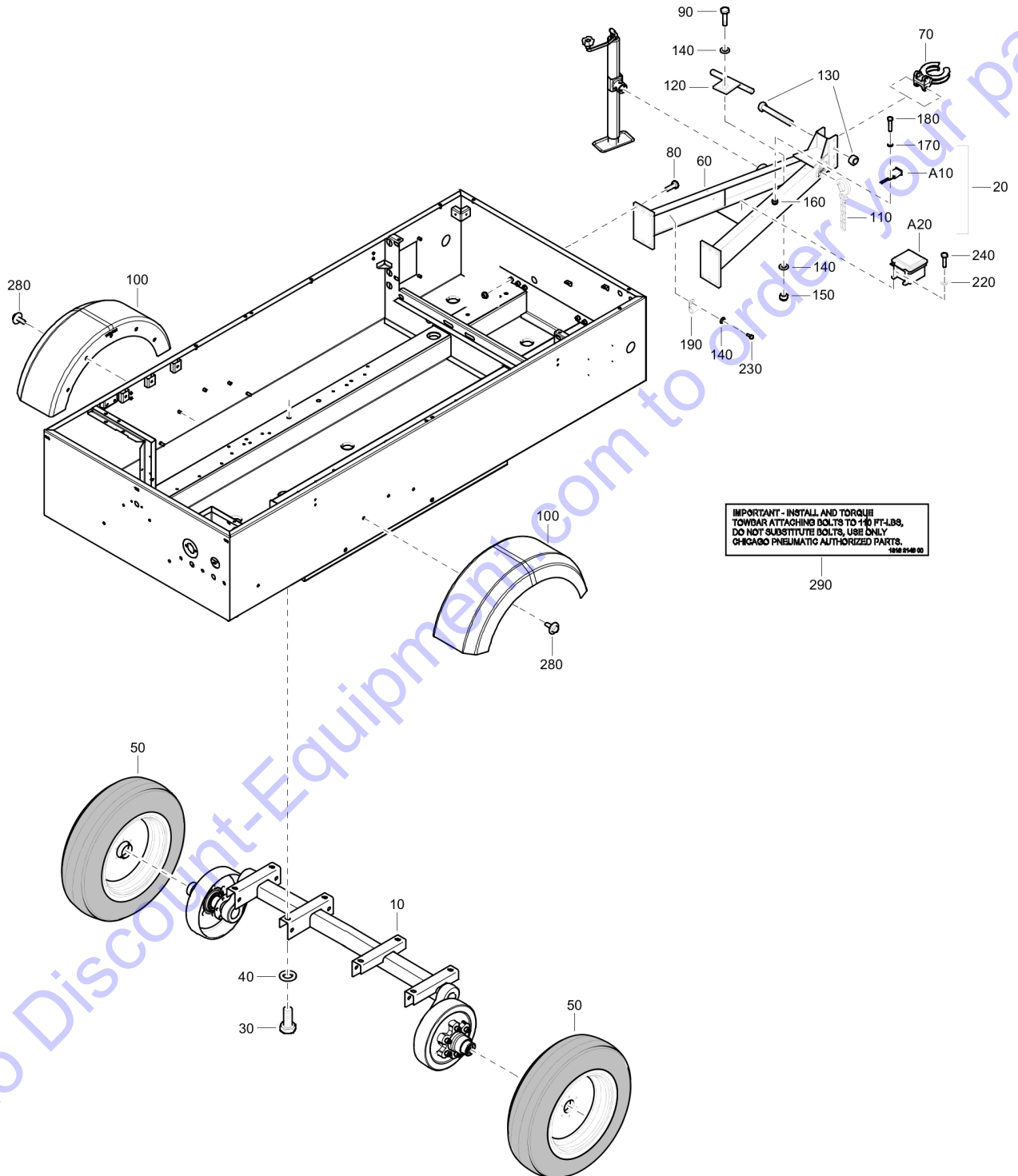
<b>Id</b>	<b>Qty</b>	<b>Number</b>	<b>Name</b>	<b>Specifications</b>
10	1	1604030901	VALVE	
20	1	1604030801	SPRING	
30	1	1613726200	PISTON RING	
40	1	0301233500	ARRUELA LISA 8,4X16X1,6	
50	1	0291111000	LOCK NUT M8 FZB	
60	1	0663611100	O-RING	
70	1	0663711500	O-RING	

Go to [Discount-Equipment.com](https://Discount-Equipment.com) to order your parts

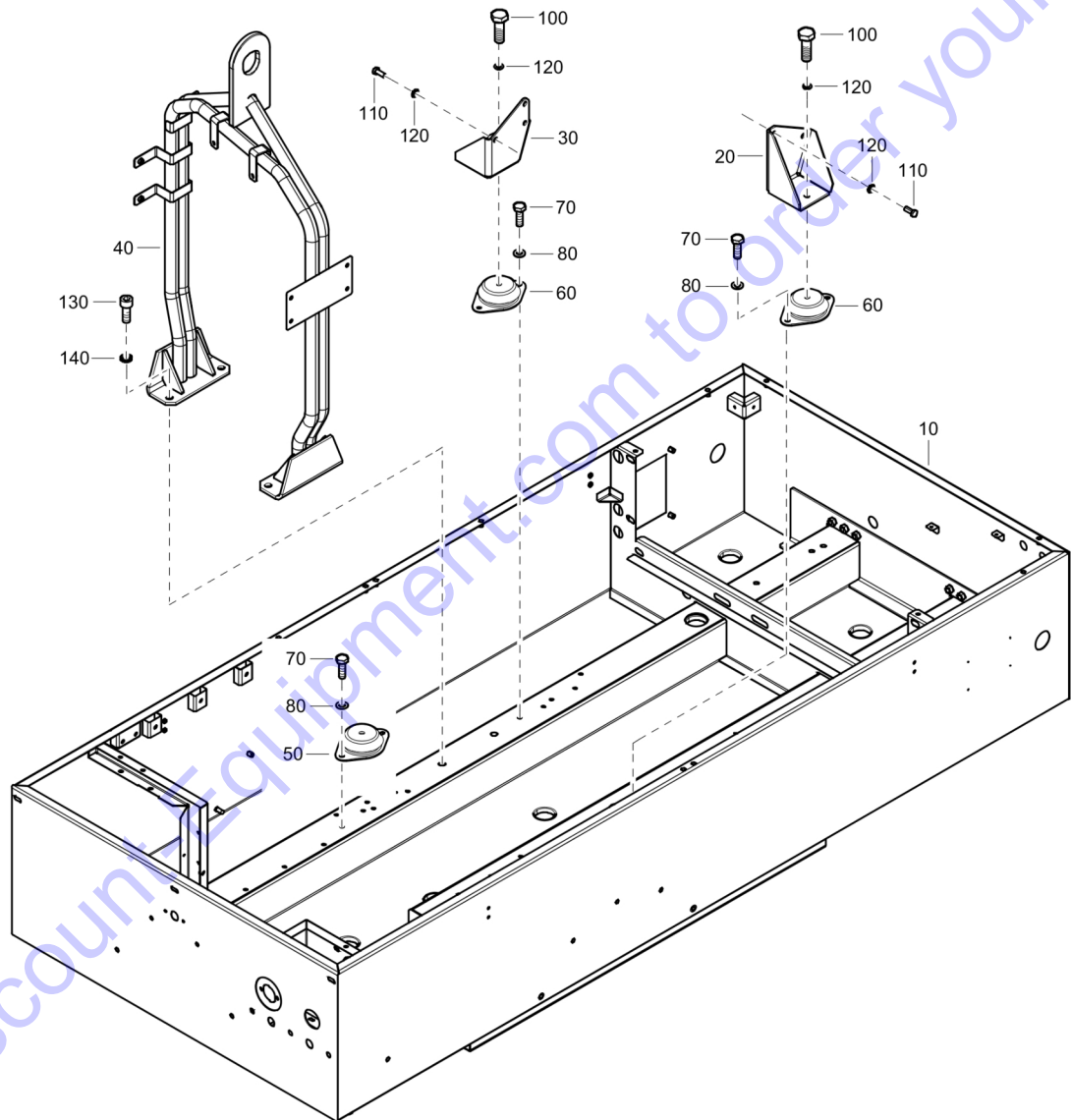




<b>Id</b>	<b>Qty</b>	<b>Number</b>	<b>Name</b>	<b>Specifications</b>
10	1	1316176080	BAFFLE ASSEMBLY:RED CPS400KDI	
20	1	1316176180	ROOF SPINE ASSEMBLY:BLACK	
60	1	1316176200	CANOPY:REAR PE BLACK CPS400KDI	
70	1	1316176300	LOUVER:REAR PE BLACK	
80	1	1316176400	BUMPER:REAR PE BLACK	
90	4	1316010122	WING SCREW:M8 X 35MM \$STL	
100	2	1316114610	PLATE:LATCH BASE BLACK	
110	1	1316115200	SUPPORT:BACK BODYWORK TOP	
120	2	1316115300	SUPPORT:BACK BODYWORK SIDES	
130	2	1316116000	REAR CANOPY SUPPORT BRACKET	
140	1	1316139000	SUPPORT:LIFT BAIL-ROOF XAS400	
150	8	1310032778	SUPPORT:BALL STUD,.312-18 THD	
160	2	1316020125	SEAL-DOOR:PE 400 FRONT	
170	2	1316020126	SEAL-DOOR:PE 400 REAR	
180	4	1310074176	STRUT:GAS DOOR LIFT M10 BALL	
190	30	1316020127	RIVET:PUSH-IN 0.219DX 0.75L	
210	8	1310075051	RIVET-POP:.187DX1.075L PE400	
230	2	1310118100	HINGE:REAR XAS400 PE	
240	1	1310118200	HINGE:R FRONT XAS400 PE	
250	1	1310118300	HINGE:L FRONT	
260	4	1310118400	PLATE:HINGE	
270	4	1310127900	PLATE:DOOR STRUT PE400	
280	4	1310128000	PLATE:STIRRUP BACKING	
290	6	1310128100	STUD-BALL:BRACKET PE400	
300	2	1310128410	BASE PLATE:PE DOOR BLACK	
320	2	1316283200	BRACKET:UPPER DOOR LATCH	
330	4	0147121403	HEX. HEAD SCREW	
340	8	0147124403	HEX. HEAD SCREW M6 X 12	
360	8	0147132303	HEX. HEAD SCREW M8 X 20	
370	4	0147132803	SCREW:M 8X 40;HEX HD,ZN PLT,\$S	
380	13	0147132903	HEX. HEAD SCREW	
390	8	0147133403	SCREW:M8 X 70MM HEXHD \$STL	
400	8	0216132403	HEX SOCK. SCREW	
410	12	0226991527	BOLT-CARRIAGE:M 8 X 70L	
420	4	0291110700	NUT	
430	24	0291111000	LOCK NUT M8 FZB	
440	5	0300027621	WASHER-FLAT:M 8.40/28.0X3.0T	
450	22	0300801900	PLAIN WASHER	
470	36	0301233500	ARRUELA LISA 8,4X16X1,6	
480	4	1615860500	STIRRUP:	
490	4	1626617100	CATCH-DOOR:RUBBER	
500	37	1615566400	HEX. HEAD SCREW	
510	10	1619266500	SEAL-BODYWORK:ZT/ZR 45-55	
520	4	1619276600	PAINT STRIPPING BOLT(M8x20)	
530	2	0147133803	SCREW:M 8X 90;HEX HD,ZN PLT,\$S	
540	8	0301232100	PLAIN WASHER	

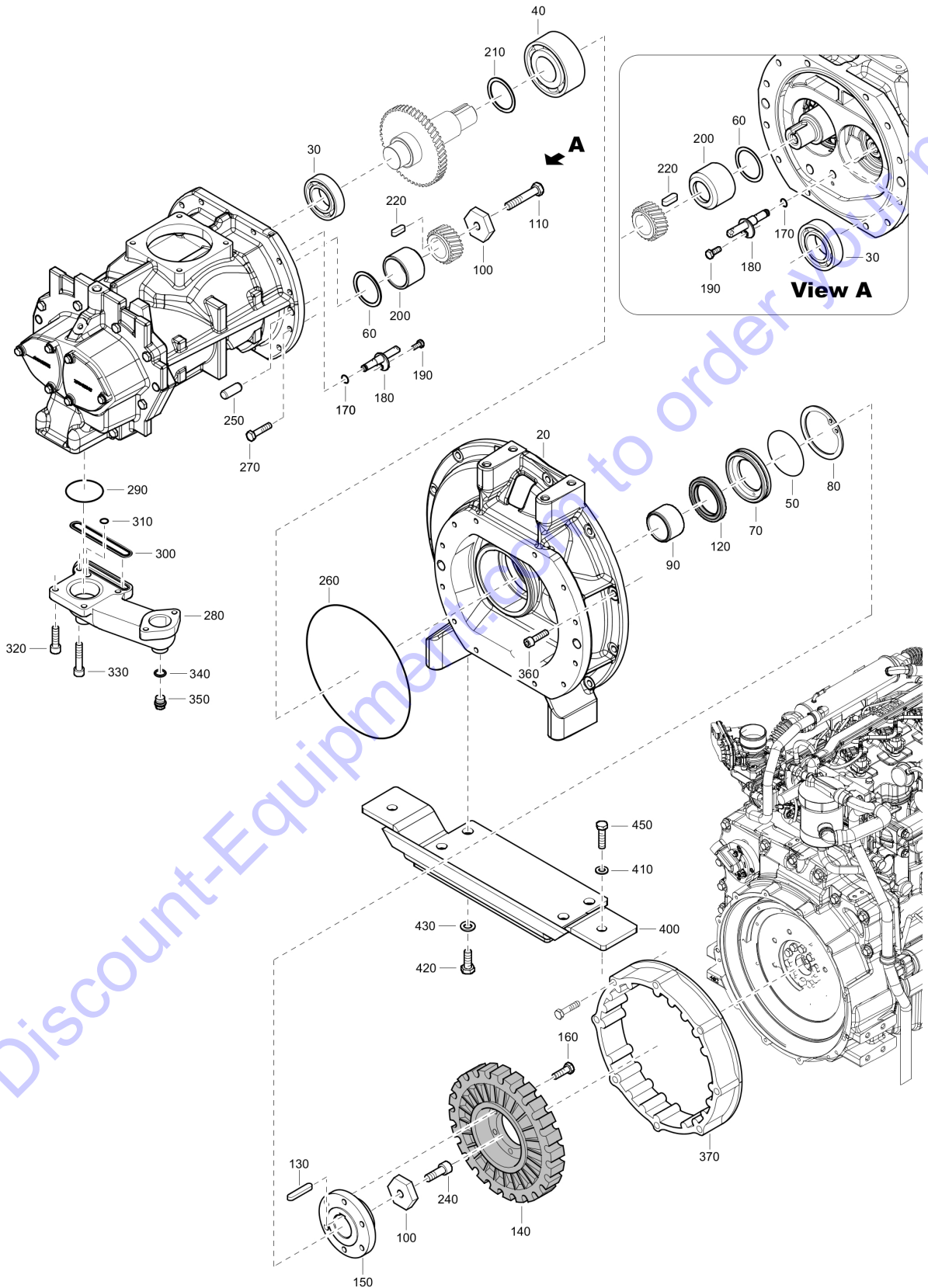


Id	Qty	Number	Name	Specifications
10	1	1310169201	AXLE ASY:EB XAS 400	
20	1	1310600218	KIT:TRAILER BREAKAWAY	
30	8	0147147603	HEXAGON HEAD BOLT	
40	8	0301237800	PLAIN WASHER	
50	2	1310030396	WHEEL-TIRE ASY:H78-15ST SILVER	
60	1	1310825081	DRAWBAR ASSY:XAS400PE EB/NB	
70	1	1310031452	EYE-LUNETTE:3" GALVANIZED	
80	12	1310033194	SCREW:.500-13X2.25L HXFLHD ZPL	
90	1	0144324803	HEX. HEAD SCREW	
100	2	1316116220	FENDER:WHEEL 15", MB BLACK	
110	2	1310033046	CHAIN/EYE ASY:XAS175JD	
120	1	1310034208	PIN-CHAIN LOCK:	
130	1	1310030011	KIT:DRAWBAR HARDWARE,BOLT&LNUT	
140	5	0301233500	ARRUELA LISA 8,4X16X1,6	
150	1	0292130500	LOCKNUT: .312-18HEX ZN PLT,\$ST	
160	1	0291110700	NUT	
170	1	0301231800	PLAIN WASHER	
180	1	0147120903	Screw:m 5x 22;hex hd,zn plt,\$s	
190	3	1310036557	CLAMP:0.5" ID XM10,P-TYPE \$RBR	
220	3	0301232100	PLAIN WASHER	
230	3	0147132203	PARAF M8X16 DIN933 8.8 FZB	
240	3	0147124703	HEX. HEAD SCREW M6 X 20	
280	10	1615566400	HEX. HEAD SCREW	
290	1	1316214600	LABEL:TOWBAR TORQUE 110 FT- LBS	

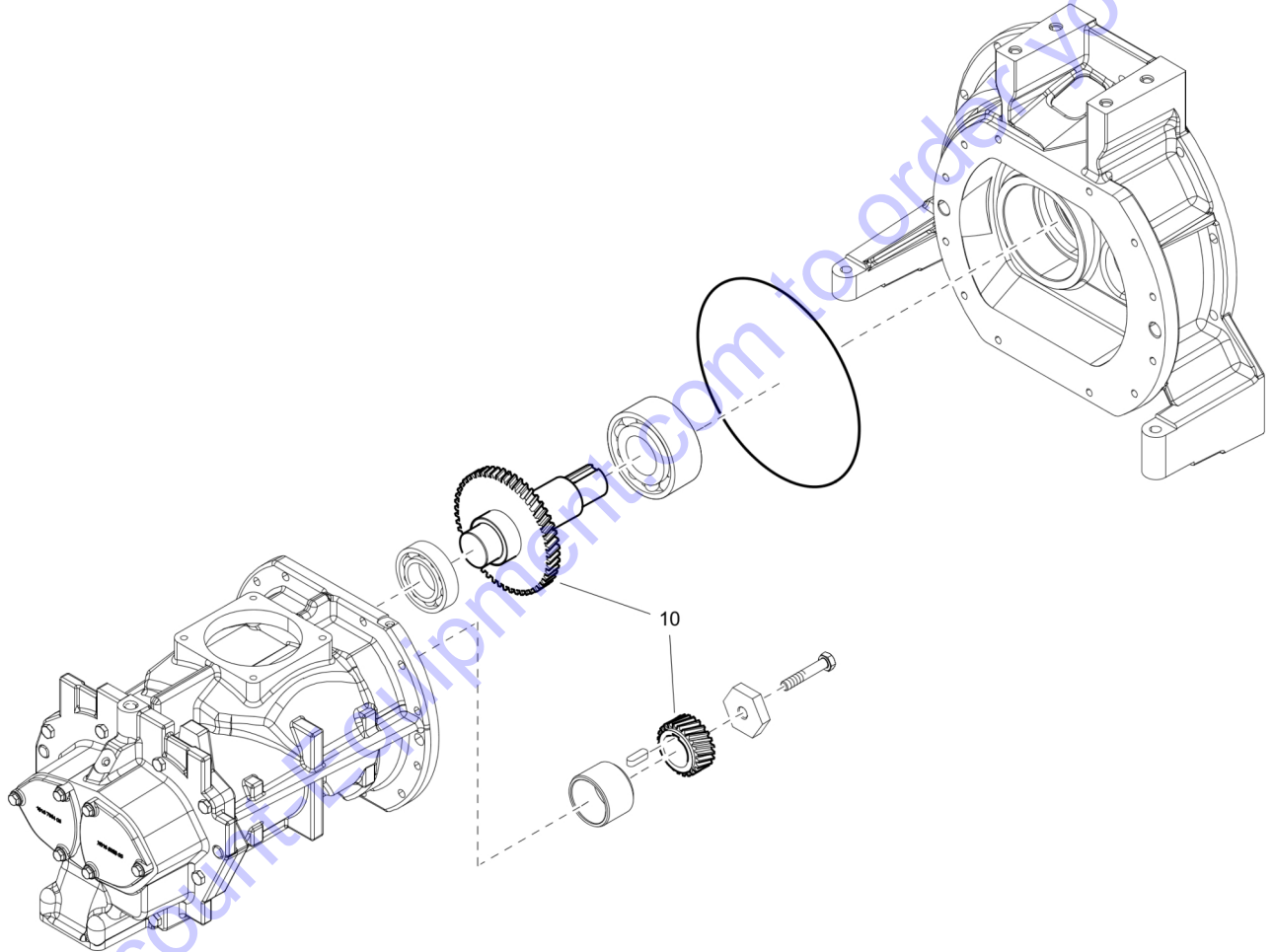


<b>Id</b>	<b>Qty</b>	<b>Number</b>	<b>Name</b>	<b>Specifications</b>
10	1	1316112305	FRAME	
20	1	1316169900	Foot:engine curb cps 400 kdi	
30	1	1316169911	Foot:engine street cps 400 kod	
40	1	1316139600	LIFTING BAIL:XAS400 CC10	
50	2	1310075807	ISOLATOR:RA200/M10 60SH	
60	2	1310075808	ISOLATOR:RA200/M12 40SH	
70	8	0147132503	HEX. HEAD SCREW	
80	8	0301233500	ARRUELA LISA 8,4X16X1,6	
100	2	0147140003	PARAF.SEXT. M12X25MM FZB	
110	6	0147140103	HEX. HEAD SCREW M12 X 30	
120	8	0301235800	WASHER	
130	4	0147147603	HEXAGON HEAD BOLT	
140	4	3315019510	LOCK WASHER	

Go to Discount-Equipment.com to order your parts



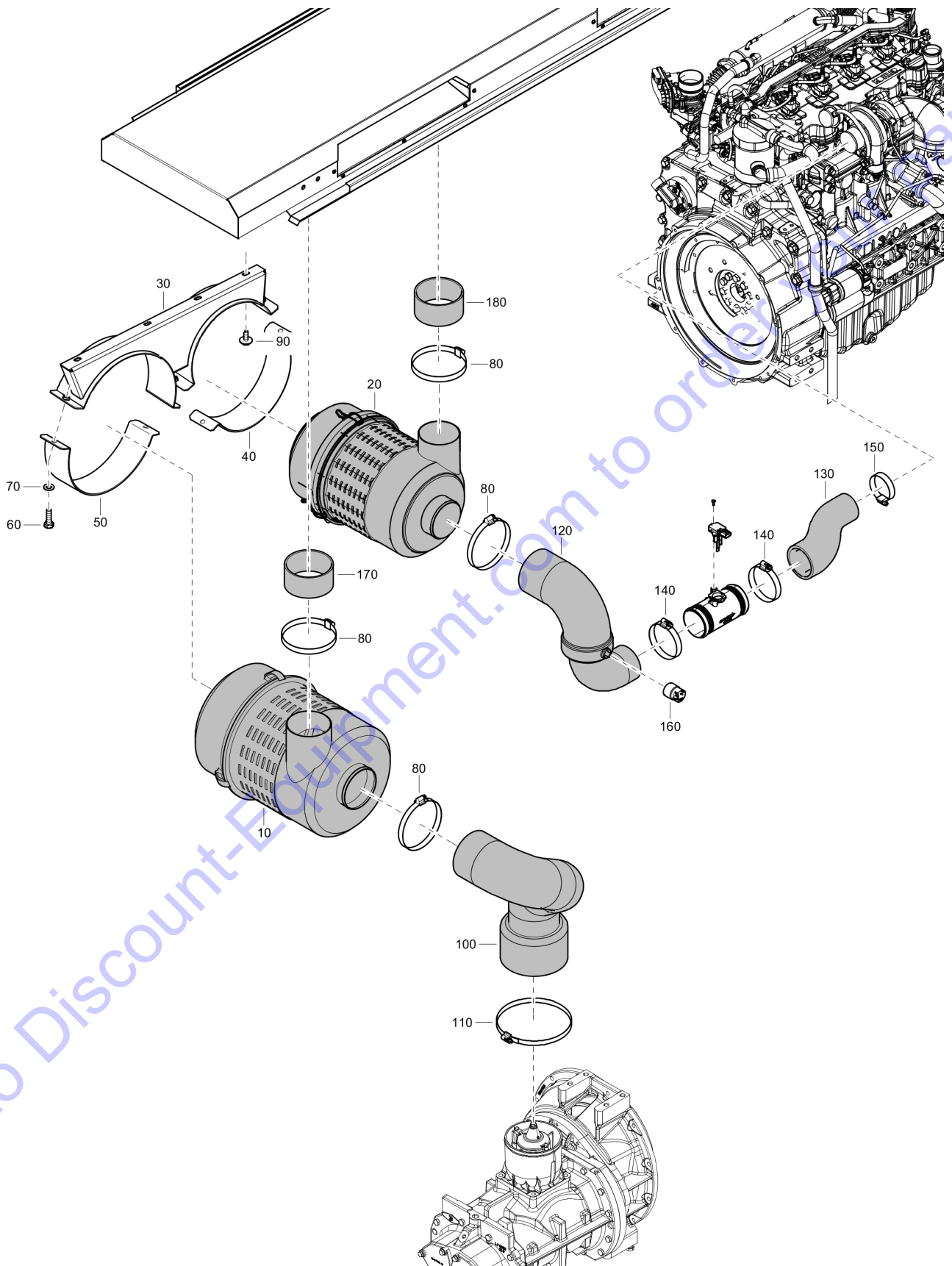
<b>Id</b>	<b>Qty</b>	<b>Number</b>	<b>Name</b>	<b>Specifications</b>
20	1	1604029101	GEARBOX	
30	1	0502109021	SPH.ACO BEARING	
40	1	0504020013	BEARING	
50	1	0663210616	O-RING:94.5MMIDX100.5MMODX3	
60	1	1638180500	SPACER -	
70	1	1604029200	RETAINER	
80	1	0335216900	ELASTIC RING 100	
90	1	1626230700	BUSH	
100	2	1316183800	WASHER:HEX SPACER BEVELED	
110	1	0211140800	SCREW	
120	1	1616562500	LIPSEAL	
130	1	0337719800	PARALLEL KEY	
140	1	1615682500	COUPLING	
150	1	1316183401	COUPLING HUB:M39.8IDXM95	
160	6	0147111057	SCREW:M10X30;HXHD,ZN PLT,12.9	
170	1	0663210784	O RING 7.3X2.4	
180	1	1622870400	NOZZLE OIL	
190	1	3161038800	SCREW	
200	1	1604027201	BUSHING	
210	1	1626228701	RING	
220	1	0337715200	KEY_PARALLEL KEY	
240	1	0211196482	HEX SOCK SCREW	
250	2	0101195140	PARALLEL PIND=16 L=40 TOLER.M6	
260	1	0663210322	O RING 264X3	
270	12	0147136503	HEX. BOLT	
280	1	1604694505	MANIFOLD	
290	1	0663713800	ANEL O 69,5X3	
300	1	0663714100	O RING 84.5X3	
310	1	0663311700	O-RING 10.3 X 2.4	
320	1	0211196417	SCREW:M10X55,SOC HD,ZN PLT	
330	3	0211196407	HEX SOCK. SCREW	
340	1	0653111500	WASHER CO 18.0X24.0X1.5	
350	1	0686423018	PLUG M18X1.5X12	
360	12	0211585513	SCREW: .375-16X1.25L SHCS FZB	
370	1	1310462900	COUPLING RING:XAS	
400	1	1316170001	COMPRESSOR SUPPORT	
410	2	0301234400	ARRUELA LISA 10,5X21X2,0	
420	4	0147140303	PARAF M12X40 DIN933 8.8 FZB	
430	4	0301235800	WASHER	
450	2	0147136403	PARAF.SEXT. M10X35MM FZB	





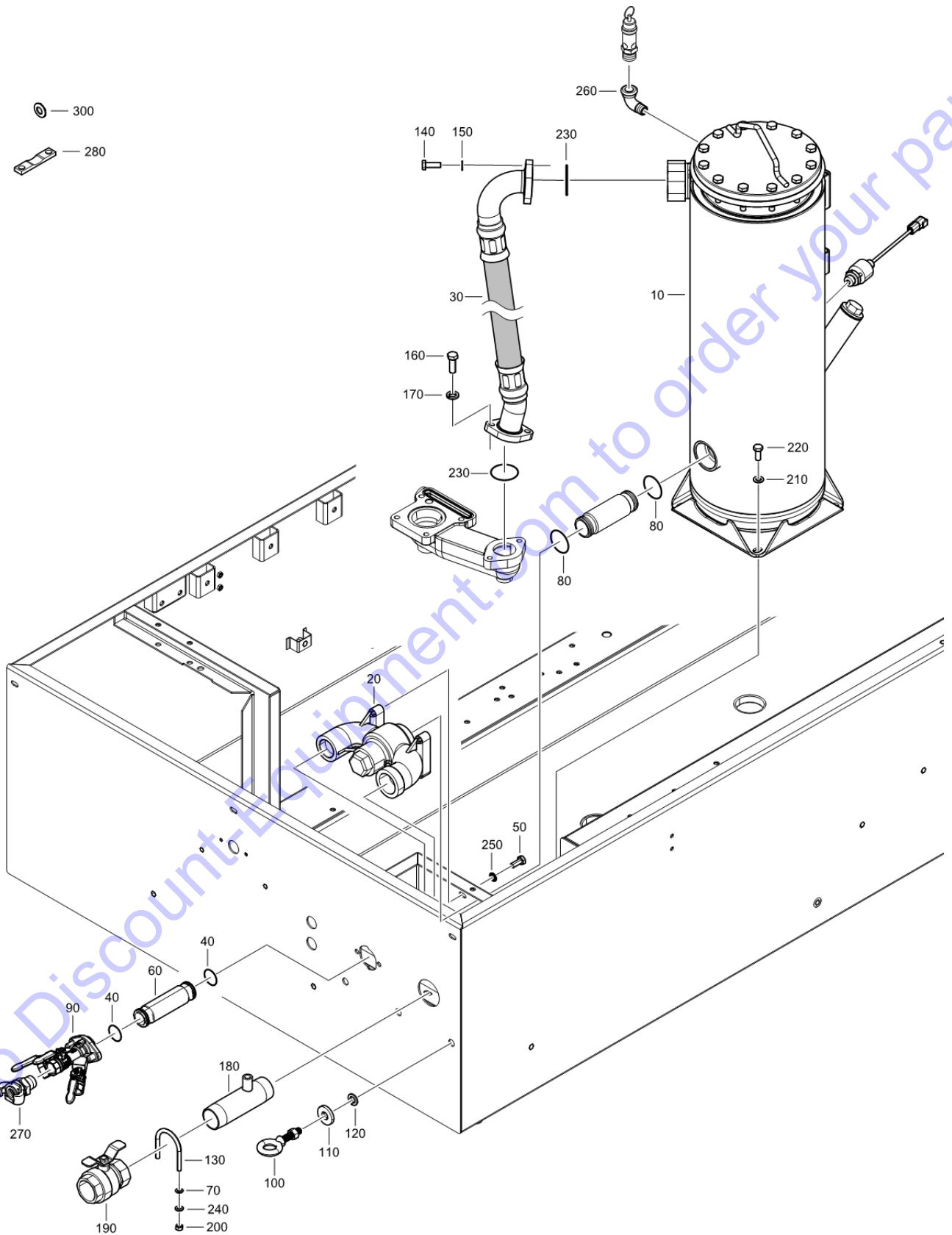
Id	Qty	Number	Name	Specifications
10	1	1626566191	GEAR SET	

Go to [Discount-Equipment.com](https://Discount-Equipment.com) to order your parts

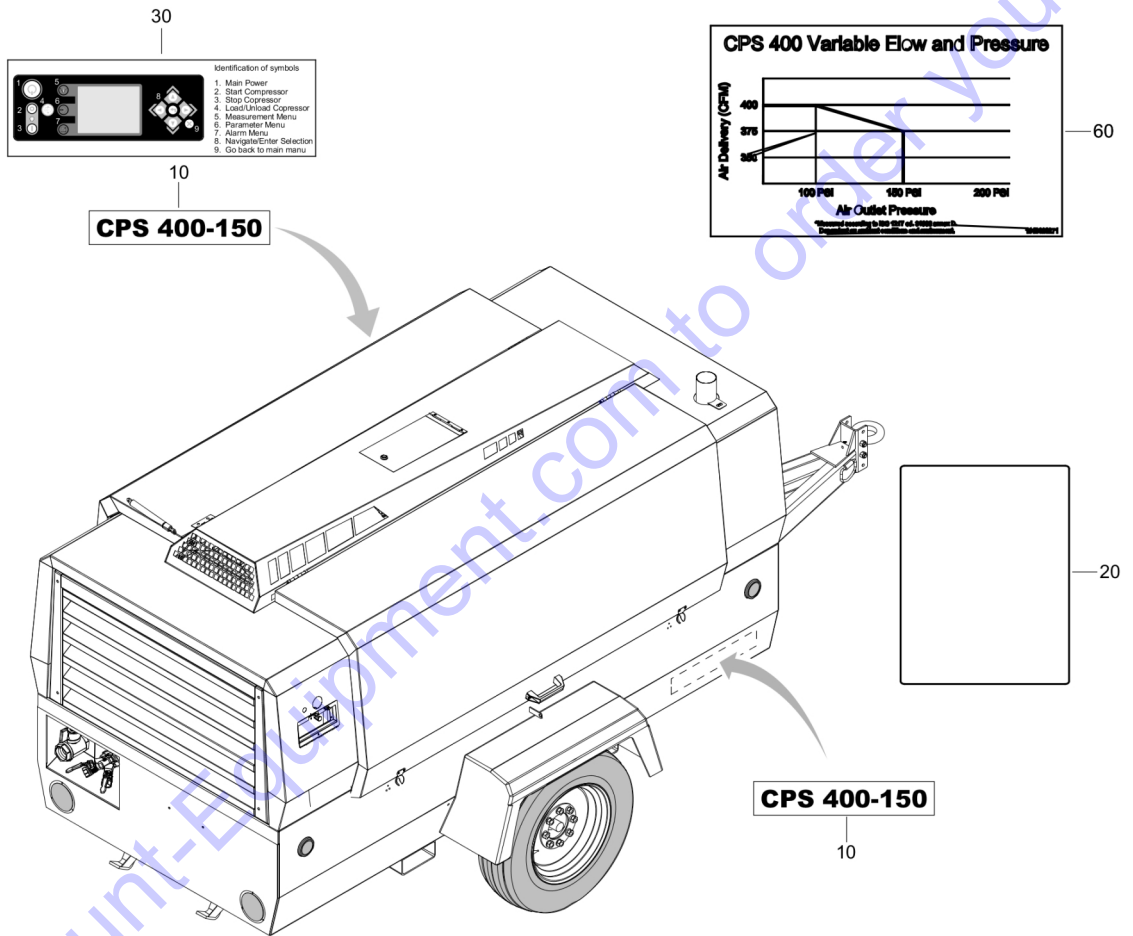


Id	Qty	Number	Name	Specifications
10	1	2205176611	AIR FILTER	
20	1	1310166700	FILTER AIR	
30	1	1316149500	SUPPORT:AIR FILTERS XAS440 CD	
40	1	1310669900	CLAMP:FILTER SMALL XAS400	
50	1	1310669800	CLAMP:FILTER LARGE XAS400	
60	4	0147132603	HEX. HEAD SCREW M8 X 30	
70	4	0301233500	ARRUELA LISA 8,4X16X1,6	
80	4	0347611900	HOSE CLAMP	
90	4	1615566400	HEX. HEAD SCREW	
100	1	1316173700	TUBE:ELEMENT INLET FORMED KDI	
110	1	0347612100	HOSE CLAMP	
120	1	1316173800	TUBE:FILTER TO MAF FORMED KDI	
130	1	1316174100	HOSE:TURBO AIR INLET CPS400KDI	
140	2	0347610021	CLAMP-HOSE:M70/92D WORM TYPE	
150	1	0347610019	HOSE CLAMP	
160	1	1310072437	INDICATOR:RESTRICTION 6.0 KPA	
170	1	1615943800	HOSE	
180	1	1316225300	SLEEVE: 4.00" ID X 60MM LONG	

Go to Discount-Equipment.com to order your parts



Id	Qty	Number	Name	Specifications
10	1	1316294490	VESSEL ASY:AIR/OIL UB	
20	1	1604040681	VALVE. MINIMUM PRESSURE	
30	1	1316276200	HOSE ASSY: AIR OUTLET	
40	2	0663312900	ANEL O 29,2X3	
50	6	0147132303	HEX. HEAD SCREW M8 X 20	
60	1	1316113800	PIPE:FLOATING DISCH 400/440 JD	
70	8	0333222500	WASHER-SPRING:M 8.05/14.9 M8	
80	2	0663713400	ANEL O 49,5X3	
90	1	1626857391	TRIPLE BALL VALVE	
100	3	1310697050	EYEBOLT- NUT&SHLDR:1"IDX2"NECK	
110	3	0300027623	PLAIN WASHER	
120	3	0333217422	WASHER-LOCK:M14,SPLIT,\$STL,ZN	
130	1	1310032580	CLAMP-EXHAUST PIP:1.75+	
140	2	0147136303	SCREW HEXAGON	
150	2	0333223000	SPRING WASHER	
160	2	0147140203	HEX. HEAD SCREW M12 X 35	
170	2	0333223600	SPRING WASHER	
180	1	1316113701	PIPE:AIR OUTLET W/BOSS	
190	1	1310074881	BALL VALVE:1 1/2+ NPT 400JD	
200	2	0268320500	NUT: .312-18UNC HEX,ZN PL,\$STL	
210	4	0301234400	ARRUELA LISA 10,5X21X2,0	
220	4	0147136203	HEX. HEAD SCREW M10 X 25	
230	2	0663713500	ANEL O 54,5X3	
240	2	0301233500	ARRUELA LISA 8,4X16X1,6	
250	4	0300801900	PLAIN WASHER	
260	1	1310076118	ELBOW:3/4+ STREET 90 GALV	
270	3	1638184300	COUPLING	
280	1	1316250400	SPACER:AIR OUTLET	
300	1	1088001902	WASHER M10-T2.4	



Go to Discount-Equipment.com to order your parts

<b>Id</b>	<b>Qty</b>	<b>Number</b>	<b>Name</b>	<b>Specifications</b>
10	2	1316204501	LABEL:CPS 400-150 KOD	
20	1	1317005075	LABEL: RSPL LABEL	
30	1	1310600337	LABEL:CONTROLLER, XC2003 BLACK	
60	1	1316020271	LABEL:CFM CHART CPS 400-150	

Go to Discount-Equipment.com to order your parts

Indicators	Description	Operator Action
	<b>Active when:</b> 1. Exhaust gas temperature is high. 2. Exhaust fan is active. 3. Exhaust clearing is in progress.	Machine can be operated as normal. Machine will continue to high exhaust temperature, start clearing by using the Exhaust fan. Clearing clearing in emergency situation only.
	<b>Active when:</b> Over level in the exhaust abnormality indicator used for an exhaust abnormality clearing. *Flashing will be present on outdoor.	Stable with clearing to allow a normal start. OK Push a normal clearing
	<b>Active when:</b> Anti-abnormal clearing is disabled.	If possible, enable anti-clearing.

90

**Operating Instructions**

**To Start:**

1. Check fuel, coolant, engine oil and compressor oil
2. Turn power switch ON
3. Push start button
4. Push load button when engine has warmed up. (display will read "Ready to Load")
5. Open service valves

**To Shut Down**

1. Close service valves
2. Press load button to unload unit
3. Press stop button
4. Turn OFF Power switch

70

**Priming Pump with Water Separator**

160

**CAUTION**

Do not mix oil brands.  
Follow Atlas Copco operating instructions for proper maintenance, lubricant grades and change intervals.  
Use only selected lubricant specified by Atlas Copco.  
Failure to comply will void warranty and may result in equipment damage.

20

**GENOIL S**

140

**DANGER**

Highly flammable liquid or vapor. May cause fire or explosion. Do not breathe vapors. Do not get liquid or vapor in eyes. Do not get liquid or vapor on skin. Do not get liquid or vapor on clothing. Do not get liquid or vapor on shoes. Do not get liquid or vapor on hands. Do not get liquid or vapor on face. Do not get liquid or vapor on neck. Do not get liquid or vapor on hair. Do not get liquid or vapor on mouth. Do not get liquid or vapor on nose. Do not get liquid or vapor on ears. Do not get liquid or vapor on throat. Do not get liquid or vapor on chest. Do not get liquid or vapor on stomach. Do not get liquid or vapor on intestines. Do not get liquid or vapor on bladder. Do not get liquid or vapor on uterus. Do not get liquid or vapor on ovaries. Do not get liquid or vapor on testis. Do not get liquid or vapor on prostate. Do not get liquid or vapor on penis. Do not get liquid or vapor on scrotum. Do not get liquid or vapor on anus. Do not get liquid or vapor on rectum. Do not get liquid or vapor on sigmoid colon. Do not get liquid or vapor on descending colon. Do not get liquid or vapor on ascending colon. Do not get liquid or vapor on cecum. Do not get liquid or vapor on appendix. Do not get liquid or vapor on stomach. Do not get liquid or vapor on small intestine. Do not get liquid or vapor on large intestine. Do not get liquid or vapor on sigmoid colon. Do not get liquid or vapor on descending colon. Do not get liquid or vapor on ascending colon. Do not get liquid or vapor on cecum. Do not get liquid or vapor on appendix.

110

**CAUTION**

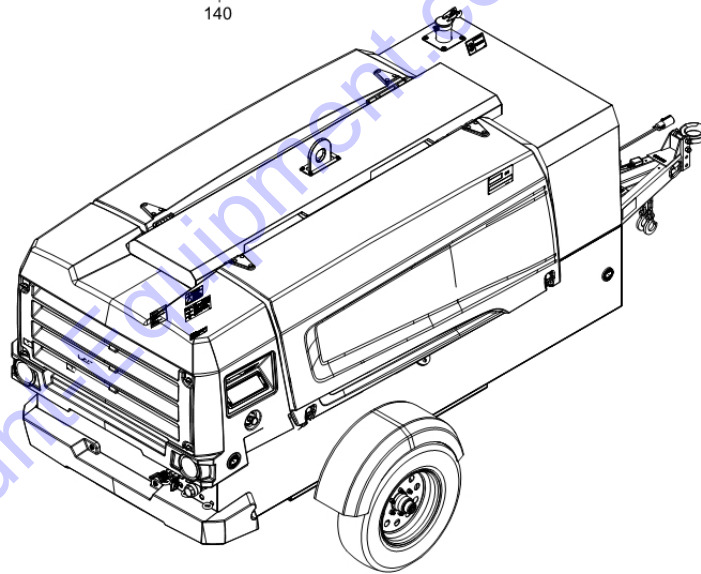
Do not leave doors open with engine in running.

100

**CAUTION**

Do not touch moving parts.

50



**TIRE AND LOADING INFORMATION**

The weight of the vehicle should not exceed 2200 kg or 5000 lb.

TIRE	SIZE	COLD TIRE PRESSURE	SEE OWNER'S MANUAL FOR ADDITIONAL INFORMATION
FRONT	225/70D15	65 PSI	
REAR			
SPARE			

170

**WARNING**

Breathing diesel engine exhaust exposes you to chemicals known to the State of California to cause cancer and birth defects or other reproductive harm

- Always start and operate the engine in a well-ventilated area.
- If in an enclosed area, vent the exhaust to the outside.
- Do not modify or tamper with the exhaust system.
- Do not idle the engine except as necessary.

For more information go to [www.P65warnings.ca.gov/diesel](http://www.P65warnings.ca.gov/diesel).

120

**CAUTION**

DO NOT DISCONNECT BATTERY CABLES WHEN LIGHT IS ILLUMINATED. EMISSIONS SYSTEM PURGE IN PROCESS. SEVERE DAMAGE TO EMISSIONS SYSTEM MAY OCCUR!

80

**CAUTION**

Coolant must meet AECM D6210 specifications. Incorrect coolant will result in engine and radiator damage. Refer to instruction manual.

**CAUTION**

**BURN HAZARD**  
Hot exhaust may burn. Failure to comply may result in moderate or minor injury.

**CAUTION**

**TAMPERING WITH SAFETY RELIEF VALVES MAY CAUSE HAZARDOUS FAILURE OF PRESSURE VESSELS**

**DANGER**

**BURN HAZARD**  
Failure to properly install, secure, or lock cover may result in death or serious injury.

**CAUTION**

Do not mix oil brands. Follow Atlas Copco operating instructions for proper maintenance, lubricant grades and change intervals. Use only selected lubricant specified by Atlas Copco. Failure to comply will void warranty and may result in equipment damage.

**WARNING**

Do not touch moving parts.

**CIRCUIT BREAKER RESET**

10

**WARNING**

**SEVERE HAZARD!**  
Machine can start automatically. Disconnect battery prior to servicing. Failure to comply could result in death or serious injury.

130

**WARNING**

Hot surfaces may burn.

150

**DEF ONLY**

**DEF ONLY**

**DEF ONLY**

60

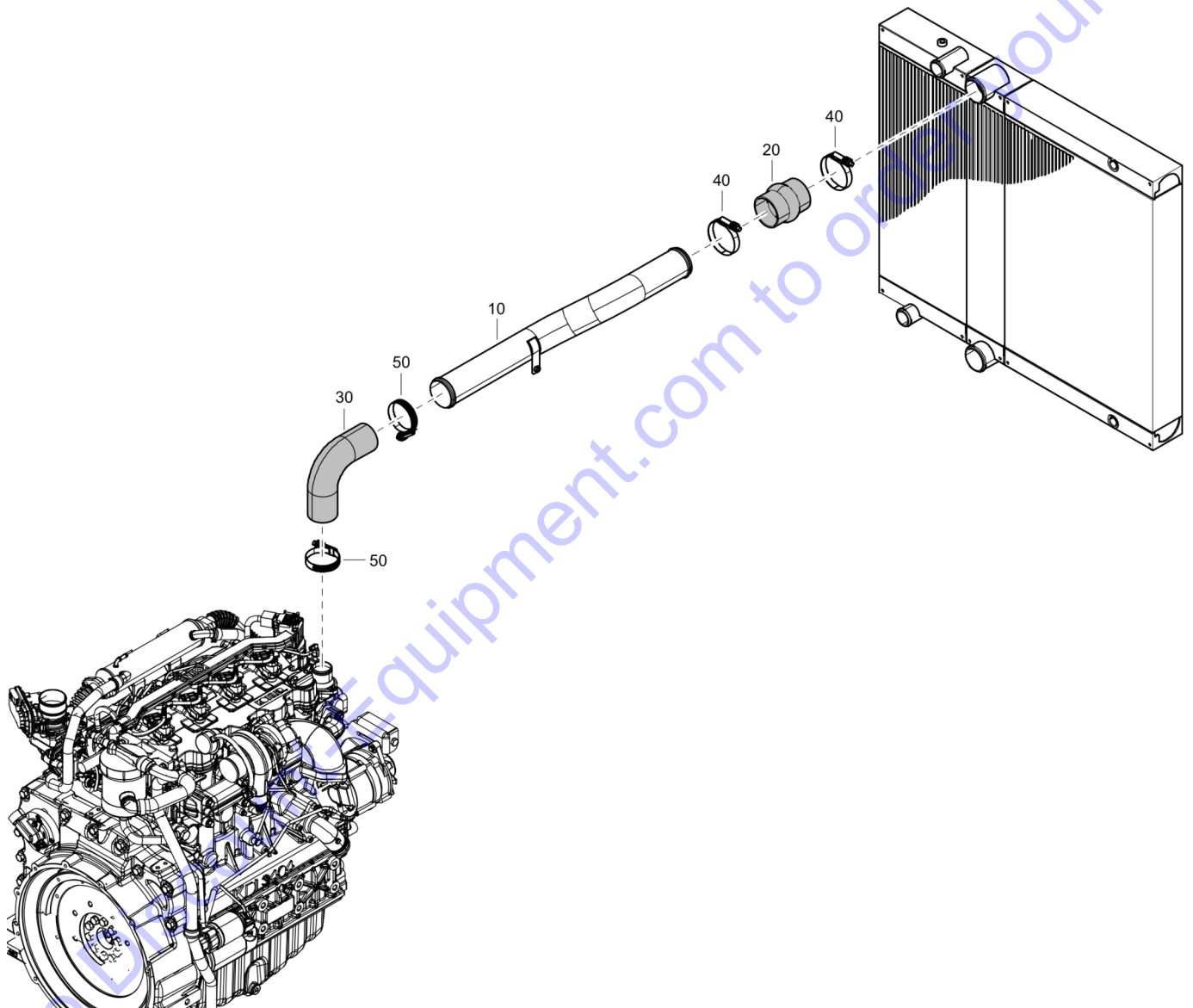
**CAUTION**

Do not touch moving parts.

40

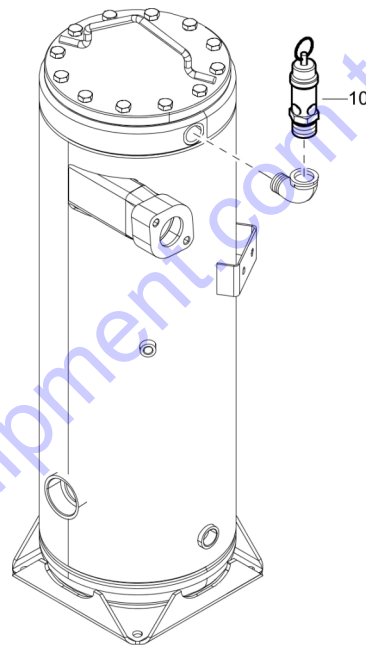


Id	Qty	Number	Name	Specifications
10	1	1316269300	LABEL SHEET	
20	1	1316020208	LABEL:OIL TYPE	
40	4	0129310300	BLIND RIVET	
50	1	1079990361	DECAL	
60	1	1310070141	LABEL:SHEET DEF WARNINGS	
70	1	1310600338	LABEL - OPERATING INSTRUCTIONS	
80	1	1310070102	LABEL:BATTERY DISCONNECT WARN	
90	1	1316020149	LABEL: AFTERTREATMENT SYMBOLS	
100	2	1310070800	LABEL: DO NOT LEAVE DOORS OPEN	
110	1	1310075322	LABEL:HIGH PRESSURE HOSE WARN	
120	1	1310600541	LABEL:CALIFORNIA PROP 65, SMTH	
130	1	1310035372	LABEL:WARNING-UNIT CAN START	
140	1	1316020214	LABEL:GENOIL	
150	1	1316020796	DECAL: HOT SURFACE	
160	1	1310600436	LABEL:FUEL FILTER & SEPARATOR	
170	1	1316021869	LABEL:TIRE AND LOADING F44/66	



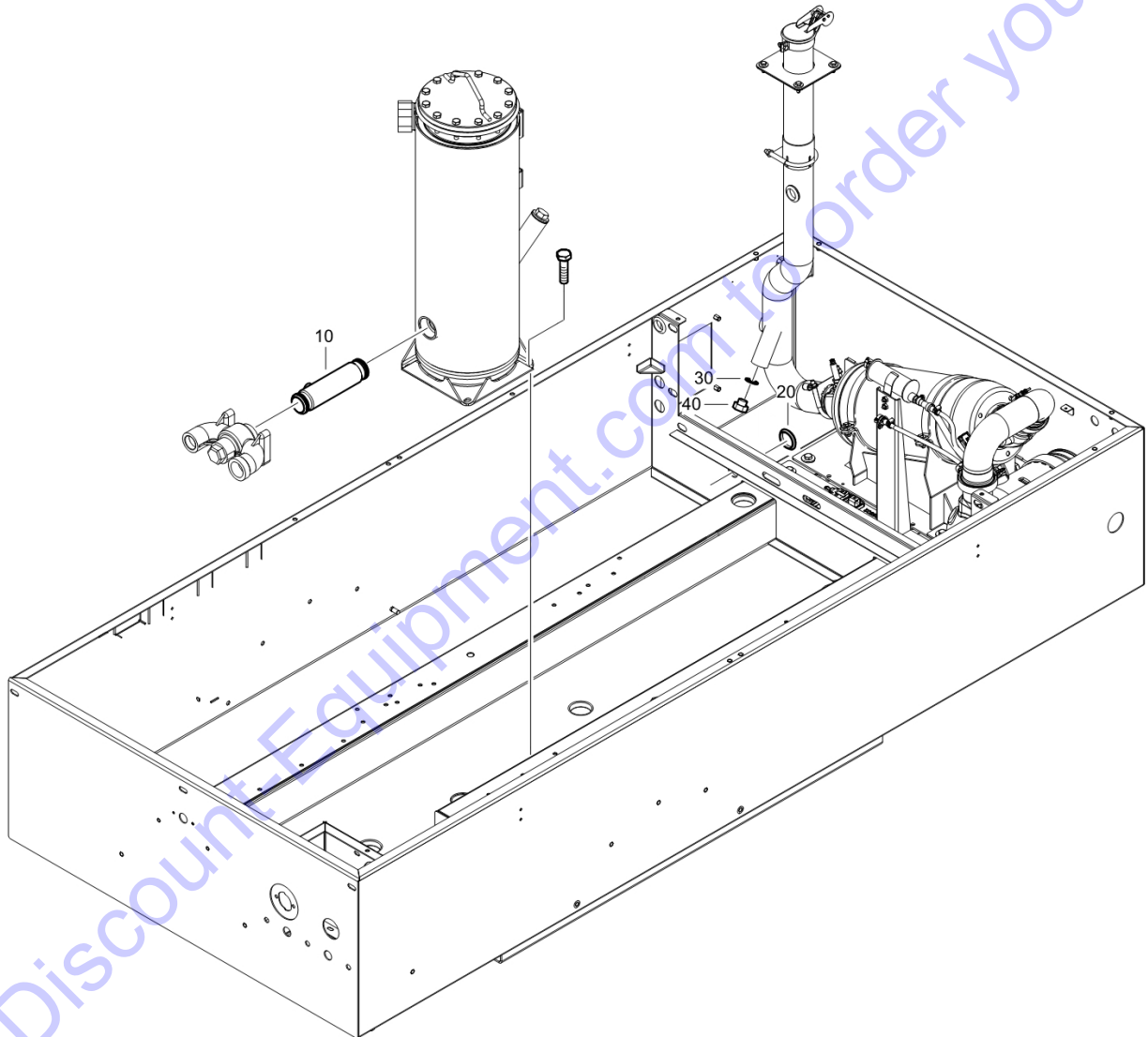
<b>Id</b>	<b>Qty</b>	<b>Number</b>	<b>Name</b>	<b>Specifications</b>
10	1	1316175002	Pipe:cac to engine	
20	1	1310072311	CONNECTOR:CAC 3.00 HUMP	
30	1	1310075382	ELBOW:CAC 2.5 ID	
40	2	1310075626	CLAMP-HOSE:M71/95D CONST-TORQ	
50	2	1310075624	CLAMP-HOSE:M59/83D CONST-TORQ	

Go to Discount-Equipment.com to order your parts



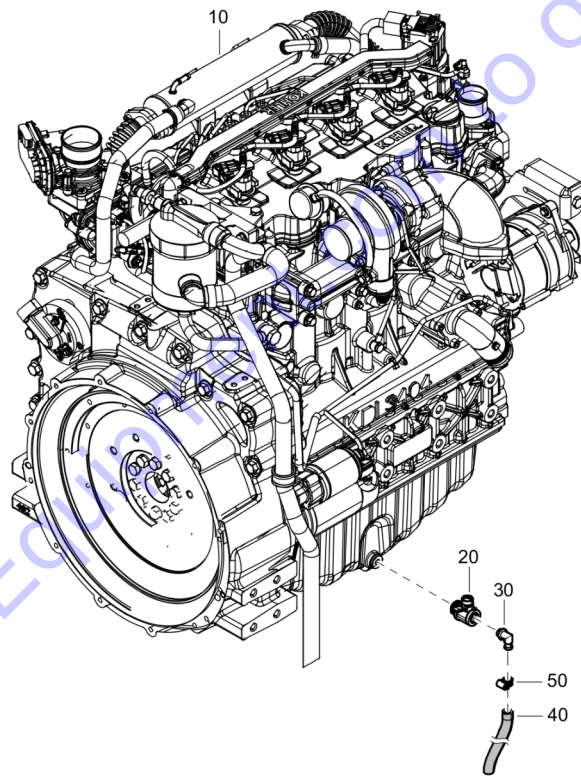
Id	Qty	Number	Name	Specifications
10	1	1310075029	VALVE-SAFETY	

Go to Discount-Equipment.com to order your parts



<b>Id</b>	<b>Qty</b>	<b>Number</b>	<b>Name</b>	<b>Specifications</b>
10	1	1638795000	AIR OUTLET PIPE	
20	1	1316010232	PLUG:1-3/8" HOLE	
30	1	0653116500	COPPER WASHER	
40	1	1615508000	PLUG:VESSEL, G3/4, RELIEF CUT	

Go to Discount-Equipment.com to order your parts



Go to Discount-Equipment.com to order your parts



<b>Id</b>	<b>Qty</b>	<b>Number</b>	<b>Name</b>	<b>Specifications</b>
10	1	1316012500	ENGINE:CPS 400 KOHLER	
20	1	1316020112	VALVE:OIL DRAIN M18	
30	1	1316020114	BARB-ELBOW:EZ DRAIN 3/8"	
40	1	0075402569	TUBE	
50	1	1310032384	CLAMP-HOSE: .25- .62,SIZE 4	

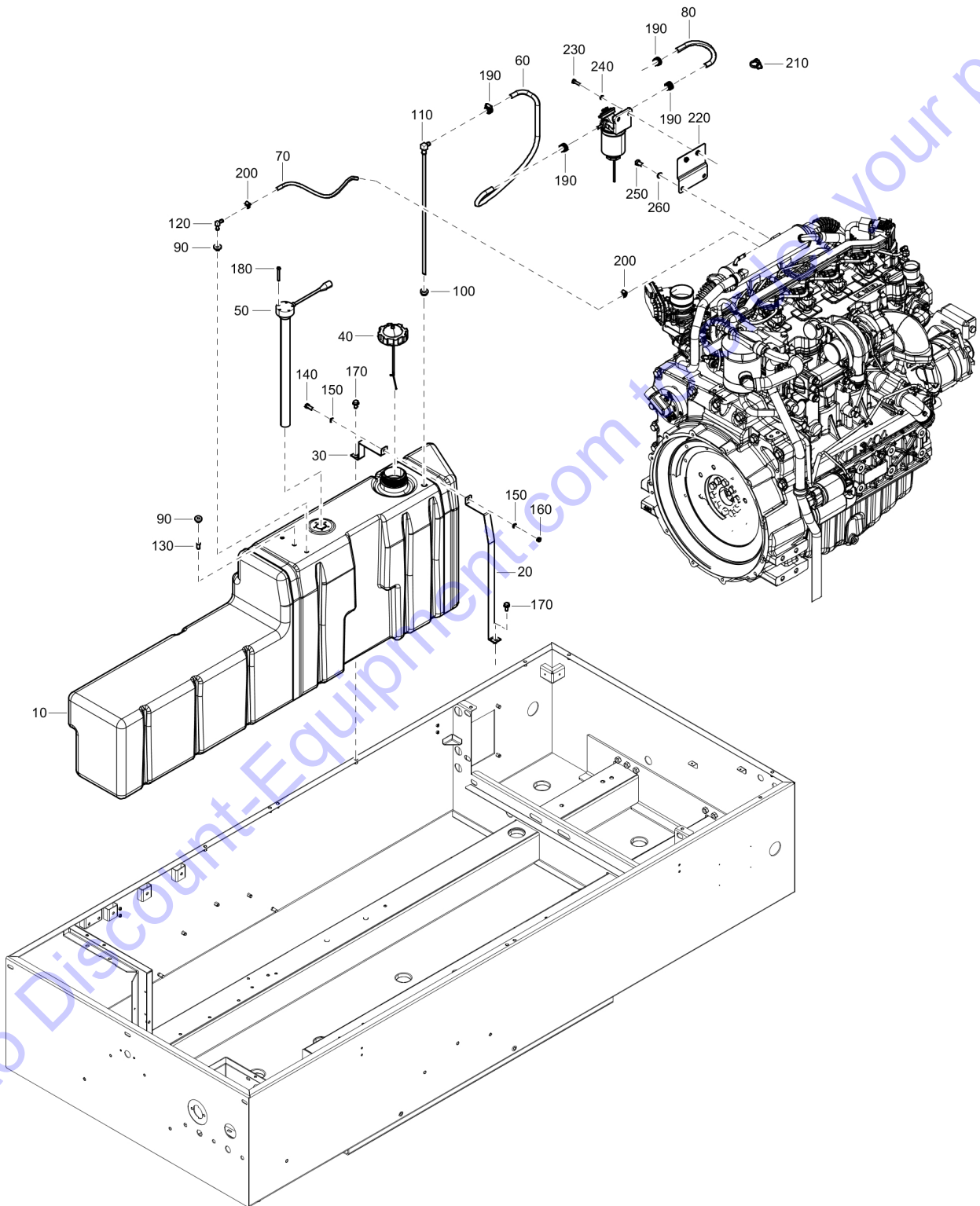
Go to Discount-Equipment.com to order your parts

Not Illustrated			
Ref	Part Number	Designation	Qty
10	1317 0007 56	Engine:spare parts	1

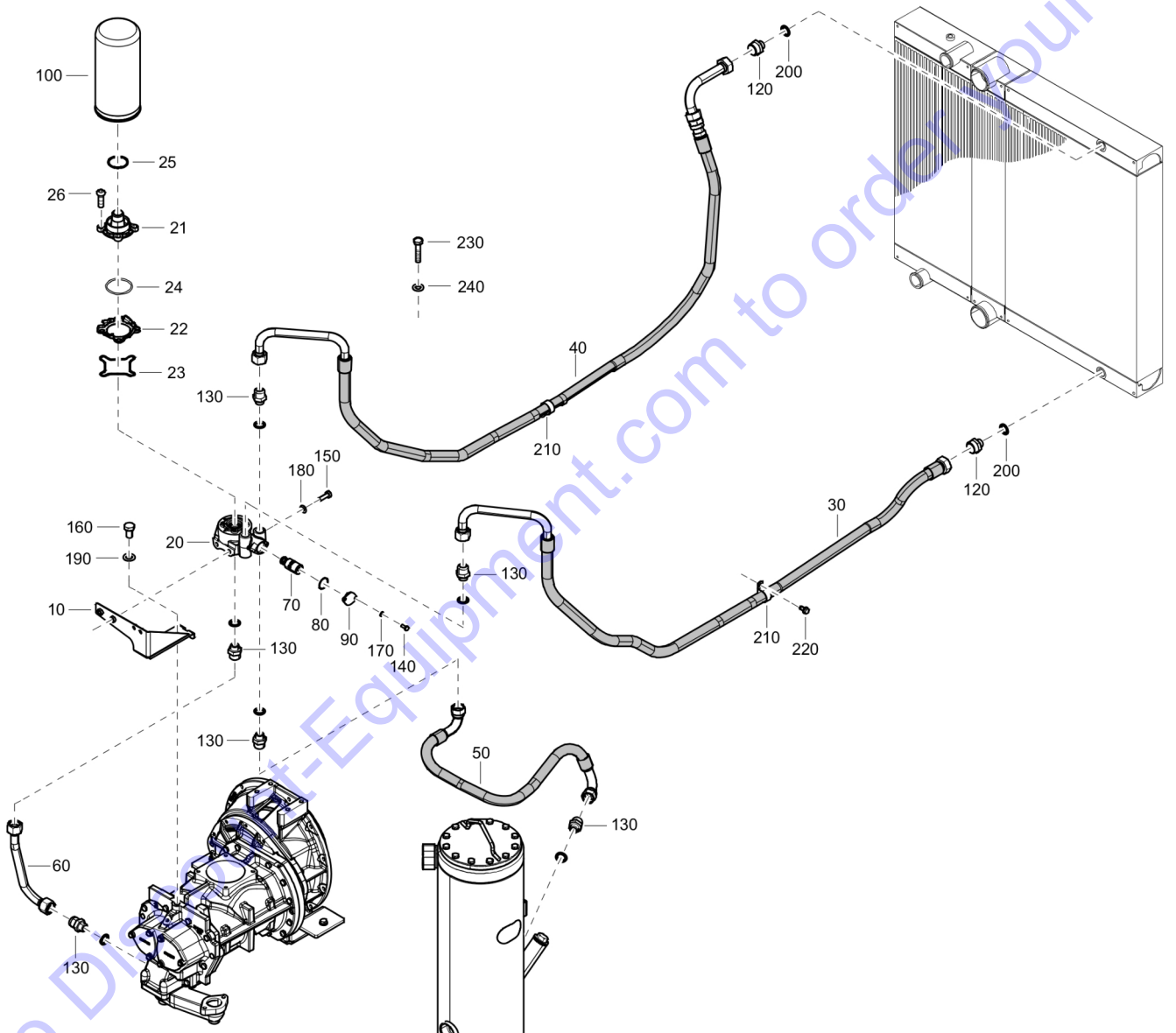
Go to Discount-Equipment.com to order your parts

<b>Id</b>	<b>Qty</b>	<b>Number</b>	<b>Name</b>	<b>Specifications</b>
10	1	1317000756	Engine:spare parts	

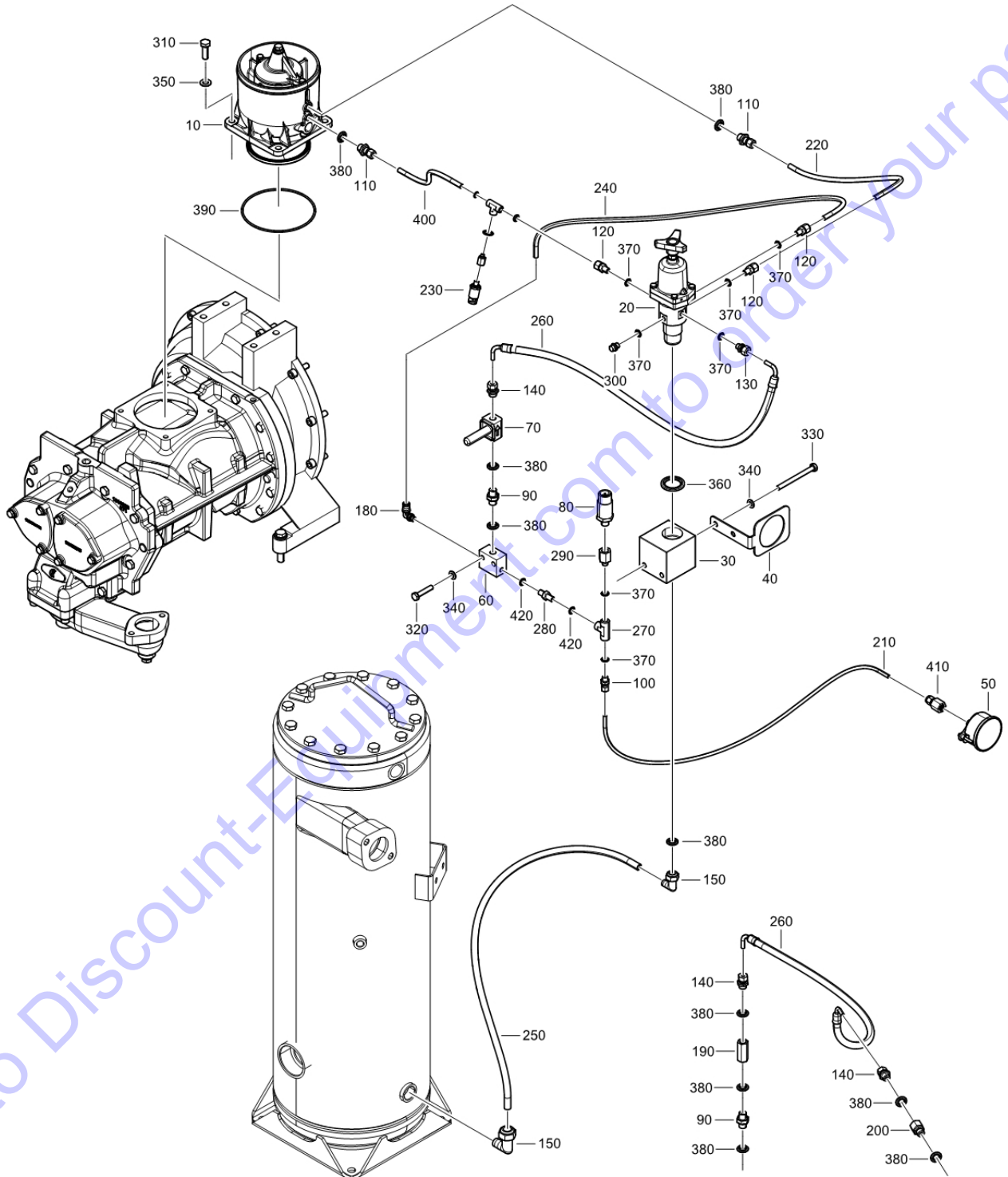
Go to Discount-Equipment.com to order your parts



Id	Qty	Number	Name	Specifications
10	1	1310190185	FUEL TANK ASY:LESS SECOND PORT	
20	2	1310689511	STRAP:F FUEL TANK 400 JD T4F	
30	2	1310689711	STRAP:F/R FUEL TANK 400 JD T4F	
40	1	1310924378	FUEL CAP:KELCH 3.5" (BLACK)	
50	1	1310074645	FUEL LEVEL SENSOR	
60		1310036364	HOSE: .38ID FUEL LINE	
70		1310031197	HOSE:.25IDX.09W,RUBBER,POLYMER	
80	1	1310036364	HOSE: .38ID FUEL LINE	
90	2	1310070617	GROMMET:FUEL RETURN	
100	1	1310175631	GROMMET:FUEL SUPPLY	
110	1	1316010127	ELBOW:SUPPLY W/TUBE .38"	
120	1	1316010130	ELBOW:FUEL RETURN .25 TUBE	
130	1	1310175637	PLUG:STEEL DAPCO #4316	
140	2	0147132803	SCREW:M 8X 40;HEX HD,ZN PLT,\$S	
150	4	0301233500	ARRUELA LISA 8,4X16X1,6	
160	2	0291111000	LOCK NUT M8 FZB	
170	4	1619276600	PAINT STRIPPING BOLT(M8x20)	
180	5	5530768100	SCREW:#10-24 X 1.5 SLOTTED	
190	4	0347610400	HOSE CLAMP	
200	2	1310032384	CLAMP-HOSE: .25- .62,SIZE 4	
210	2	0348010212	CABLE TIE: WITH FIR TREE MOUNT	
220	1	1316177400	BRACKET:FUEL FILTER CPS400 KDI	
230	2	0147132603	HEX. HEAD SCREW M8 X 30	
240	2	0300027666	WASHER:M8.40/16.0X1.5T BLACK	
250	2	0147139803	HEX. HEAD SCREW	
260	2	0301234400	ARRUELA LISA 10,5X21X2,0	



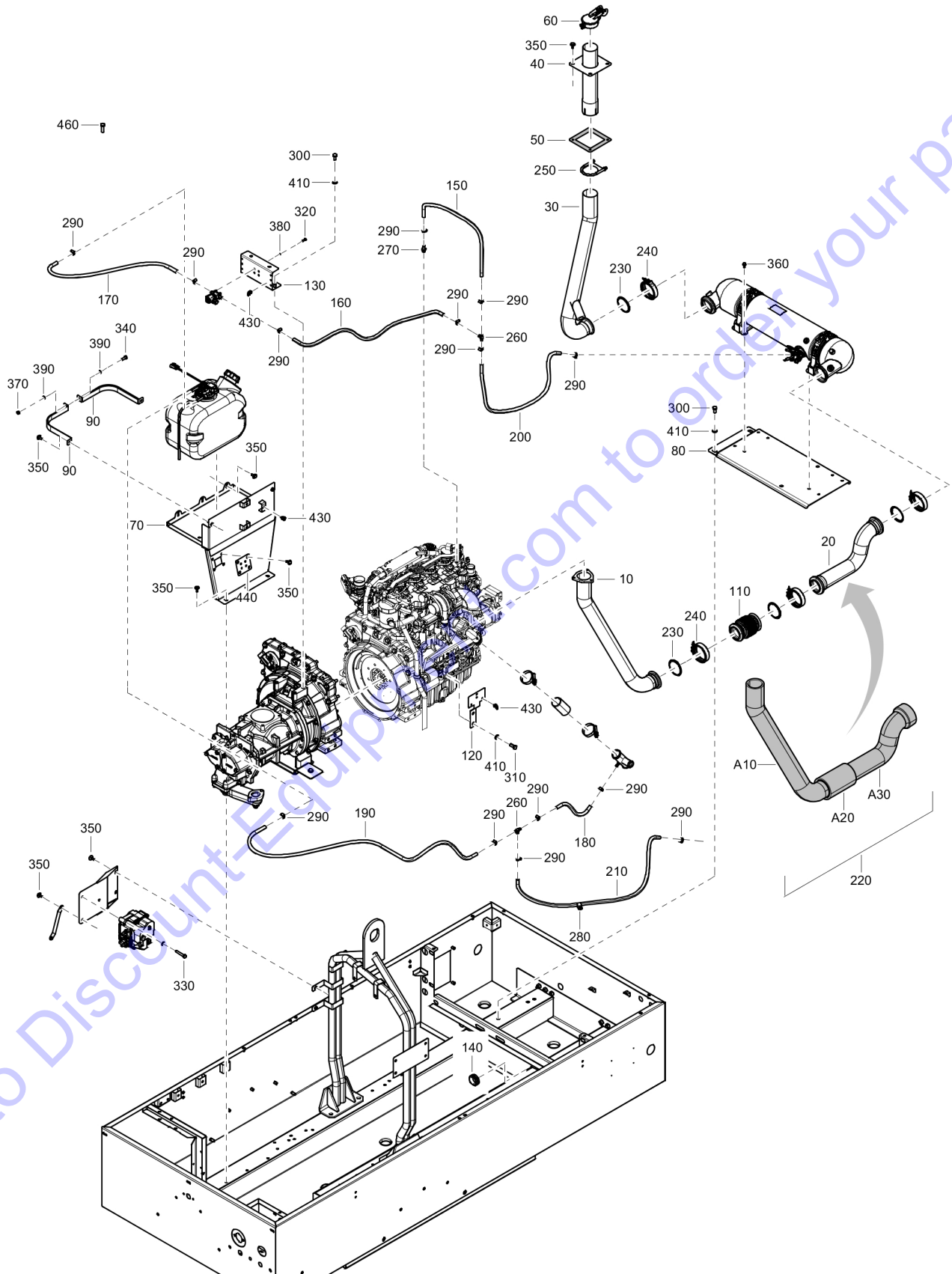
<b>Id</b>	<b>Qty</b>	<b>Number</b>	<b>Name</b>	<b>Specifications</b>
10	1	1316176600	SUPPORT:OIL FILTER	
20	1	1638648900	HOUSING	
21	1	1630147500	ADAPTER	
22	1	1630147502	LOCK RING	
23	1	1630147503	SPRING	
24	1	0663713400	ANEL O 49,5X3	
25	1	0663712700	RING O	
26	4	0215000373	SCREW	
30	1	1310198902	HOSE ASY:OIL 400 JD T4F	
40	1	1316138800	HOSE:OIL FLT-CLR TOP	
50	1	1310822011	OIL LINE:TBV TO VESS	
60	1	1316176700	PIPE:OIL FLT-ELEMENT CPS400KDI	
70	1	1622706405	VALVE:THERMOSTATIC 160F	
80	1	0663713200	O-RING:M 35.10IDX 1.60THK \$FPM	
90	1	1614611800	FLANGE	
100	1	1316285290	FILTER:OIL-QUICK FIT PACKAGED	
120	2	2253806300	NIPPLE:G3/4 X M38X1.5	
130	6	3176651900	NIPPLE:G 3/4"MALE X 1"JIC MALE	
140	2	0147124603	SCREW	
150	2	0147136303	SCREW HEXAGON	
160	1	0147147403	PARAF.SEXT. M16X25 MM FZB	
170	2	0301232100	PLAIN WASHER	
180	2	0301234400	ARRUELA LISA 10,5X21X2,0	
190	1	0301237800	PLAIN WASHER	
200	2	0661100029	SEAL WASHER	
210	8	1310251175	CLAMP-HOSE: 1.50 NOMINAL DIA	
220	3	1619276600	PAINT STRIPPING BOLT(M8x20)	
230	3	0147132503	HEX. HEAD SCREW	
240	3	0301233500	ARRUELA LISA 8,4X16X1,6	



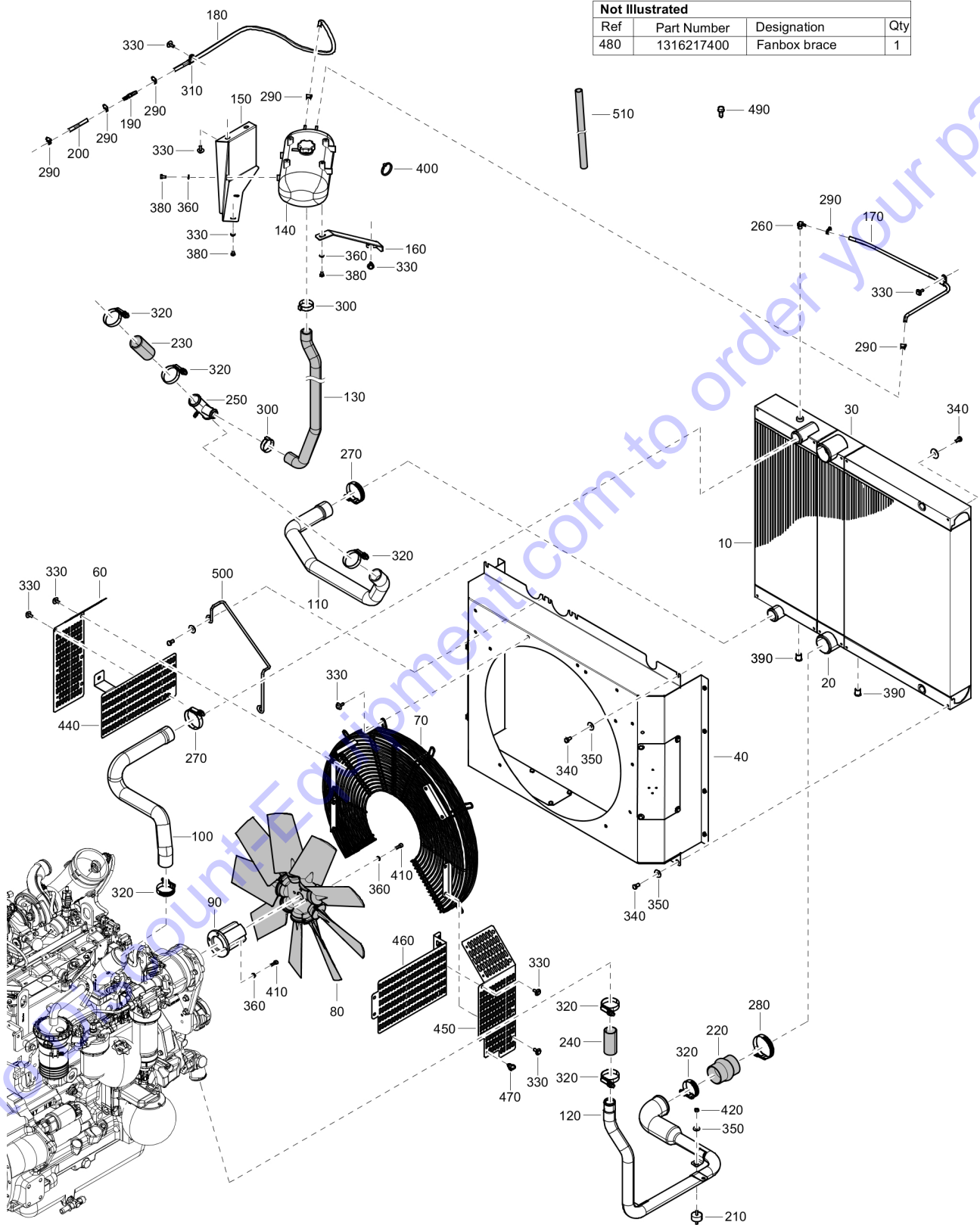
Go to Discount-Equipment.com to order your parts



<b>Id</b>	<b>Qty</b>	<b>Number</b>	<b>Name</b>	<b>Specifications</b>
10	1	1638839380	UNLOADER: ASSY BLOW-OFF C90	
20	1	1604084785	MANUAL REGULATION VALVE ASSY	
30	1	1316214700	MANIFOLD:NO PACE,CPS400-100KOD	
40	1	1316208100	BRACKET:PRESSURE GAUGE	
50	1	1604401707	PRESSURE GAUGE:NON-BRANDED	
60	1	1310867600	MANIFOLD:REGULATING SYS XAS400	
70	1	1089951504	VALVE-SOLENOID:12V 1/4G	
80	1	1607852288	PRESSURE SENSOR	
90	2	1310072256	ADAPTER:G.25MALE X G.25MALE	
100	1	0581000033	COUPLING:M 6ODTXG .125MALE NYL	
110	2	0581000035	COUPLING:M 8ODTXG .250MALE NYL	
120	3	0581000038	COUPLING:M 8ODTXG .125MALE NYL	
130	1	0581000047	COUPLING:M 6ODTXG .125MALE,\$ST	
140	3	0581000052	STRAIGHT PIPE COUPLING	
150	2	0581120029	COUPLING:	
180	1	1310074084	ELBOW:G.125 MALE X M8 OD TUBE	
190	1	1316010219	VALVE-CHECK:G.25 0.5 BAR CRACK	
200	1	1638000000	REDUCER PRESSURE	
210	1	0070600204	TUBE:M 6.0ODX 4.0ID, BLACK	
220	1	0070600205	TUBE:M8.0ODX 5.5ID,BLACK	
230	1	1607852293	PRESSURE SENSOR	
240	1	0070600205	TUBE:M8.0ODX 5.5ID,BLACK	
250	1	0070600206	TUBE	
260	2	1310030081	HOSE ASY:SCAVENGE LINE 400	
270	2	1310432000	FITTING: T-STREET 1/8 BSPP	
280	2	0603420203	NIPLE G1/8-G1/8	
290	2	1310030463	ADAPTER:G.125M X G.25F BRASS	
300	1	0686420103	HEXAGON HEAD SCREW PLUG G1/8 A	
310	4	0147111057	SCREW:M10X30;HXHD,ZN PLT,12.9	
320	2	0147132803	SCREW:M 8X 40;HEX HD,ZN PLT,\$S	
330	2	0147133803	SCREW:M 8X 90;HEX HD,ZN PLT,\$S	
340	4	0301233500	ARRUELA LISA 8,4X16X1,6	
350	4	0301234400	ARRUELA LISA 10,5X21X2,0	
360	1	0661104900	Sealing washer	
370	8	1310034579	WASHER-FLAT:M10.0/14.0X1.0MM	
380	10	1316010222	WASHER-SEAL:M 13.7X20.57X2 \$ST	
390	1	0663715000	O-RING:M129.50IDX 3.00SECT	
400	1	0070600205	TUBE:M8.0ODX 5.5ID,BLACK	
410	1	1316021255	FITTING: 1/4 G FM TO M6 TUBE	
420	4	0661101400	SEALING WASHER	



<b>Id</b>	<b>Qty</b>	<b>Number</b>	<b>Name</b>	<b>Specifications</b>
10	1	1316176800	EXHAUST PIPE:TURBO OUTLET	
20	1	1316176810	EXHAUST PIPE:BELLOWS TO DOC	
30	1	1316175301	PIPE:EXHAUST CONDENSATE FLASH	
40	1	1316148000	EXHAUST PIPE: OUTLET	
50	1	1316139100	SEAL:EXHAUST PIPE-ROOF XAS400	
60	1	1615721400	EXHAUST COVER	
70	1	1316175502	BRACKET:DEF TANK SUPPORT	
80	1	1316175701	BRACKET:AFTERTREATMENT	
90	2	1316175600	STRAP:DEF TANK CPS 400 KOHLER	
110	1	1310171410	BELLOWS:3"DIAM X 5.75LONG	
120	1	1316183600	BRACKET:COOLANT LINES	
130	1	1316021600	BRACKET:ENGINE HARNESS	
140	1	1310050554	GROMMET:RUBBER 2.0HOLE/.188PNL	
150		0075402569	TUBE	
160		0075402569	TUBE	
170		0075402569	TUBE	
180	1	0075402569	TUBE	
190		0075402569	TUBE	
200		0075402569	TUBE	
210		0075402569	TUBE	
220	1	1316176980	KIT:HEAT BLANKET CPS400 KDI	
A10	1	1316176900	HEAT BLANKET:TURBO OUTLET PIPE	
A20	1	1316176910	HEAT BLANKET:BELLOWS	
A30	1	1316176920	HEAT BLANKET:DOC INLET PIPE	
230	2	1310073201	GASKET:MARMON FLG	
240	2	1310072869	CLAMP:MARMON	
250	1	1310035561	CLAMP-SADDLE: 3.00" ID ZINC PL	
260	2	1310074837	TEE:UNION 3/8 ID HOSE	
270	1	1310072345	ADAPTER:.375 BARB X M14 MALE	
280	1	1310072342	CLAMP:WIRE & TUBE .625" DIA	
290	14	1310032384	CLAMP-HOSE: .25- .62,SIZE 4	
300	4	0147140003	PARAF.SEXT. M12X25MM FZB	
310	2	0147140103	HEX. HEAD SCREW M12 X 30	
320	8	0147124703	HEX. HEAD SCREW M6 X 20	
330	3	0147133103	HEX. HEAD SCREW	
340	1	0144324803	HEX. HEAD SCREW	
350	16	1615566400	HEX. HEAD SCREW	
360	8	1619276600	PAINT STRIPPING BOLT(M8x20)	
370	1	0292130500	LOCKNUT: .312-18HEX ZN PLT,\$ST	
380	8	0301232100	PLAIN WASHER	
390	5	0301233500	ARRUELA LISA 8,4X16X1,6	
410	8	0301235800	WASHER	
430	14	0348010212	CABLE TIE: WITH FIR TREE MOUNT	
440	1	1316175510	BRACKET:COOLANT VALVE	
460	2	0147140403	PARAF M12X45 DIN931 8.8 FZB	



Not Illustrated			
Ref	Part Number	Designation	Qty
480	1316217400	Fanbox brace	1

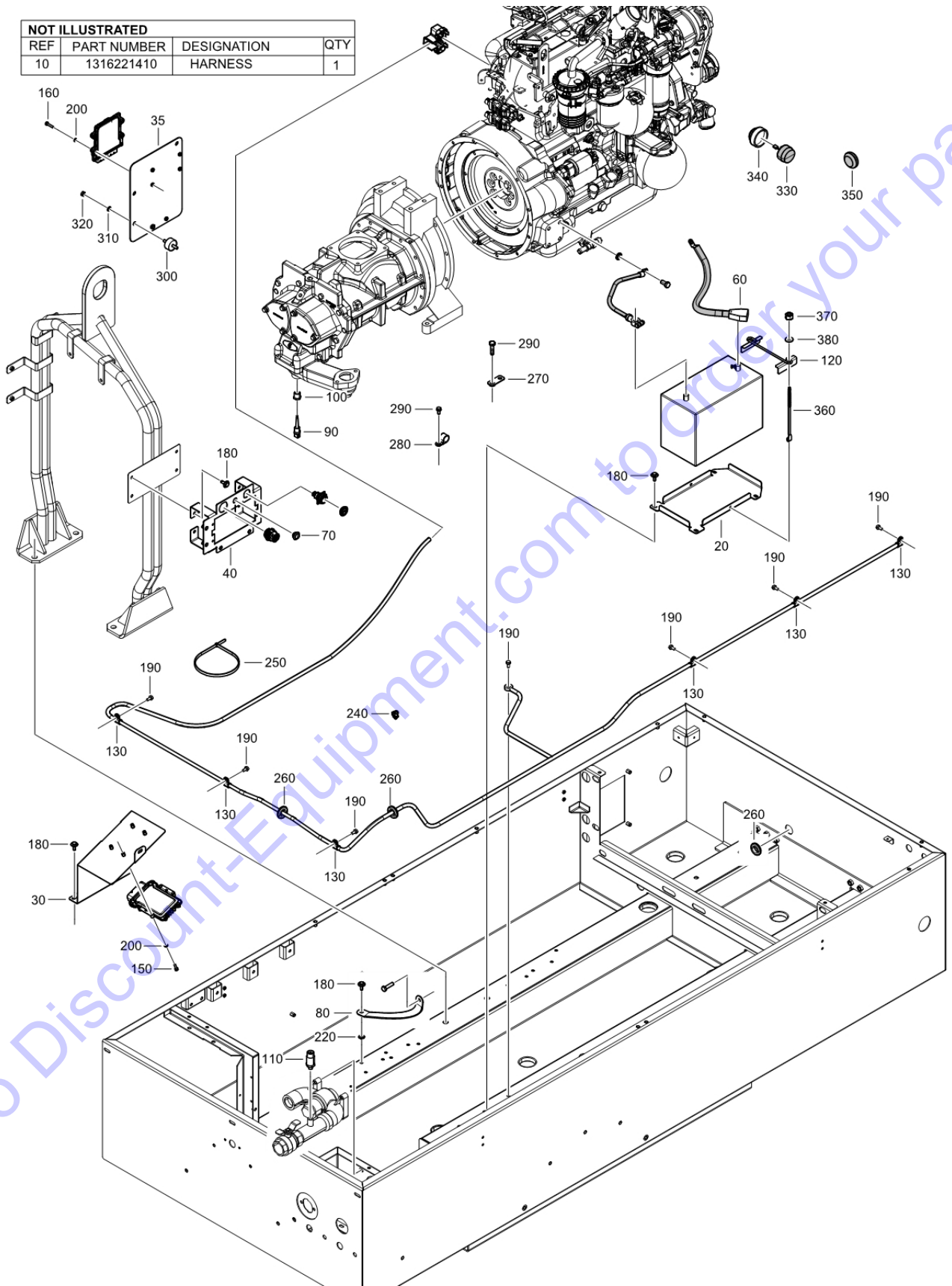
Go to [www.chicagopneumatic.com](http://www.chicagopneumatic.com) to order your parts

<b>Id</b>	<b>Qty</b>	<b>Number</b>	<b>Name</b>	<b>Specifications</b>
10	1	1310203001	RADIATOR:400 JD/CD T4F	
20	1	1310203011	OIL COOLER:400 JD/CD T4F	
30	1	1310203021	CAC COOLER:400 JD/CD T4F	
40	1	1316138782	FAN BOX ASY	
60	1	1316117152	GUARD-BELT:CPS 400 KOD LEFT	
70	1	1316139501	KIT:FAN GUARDS	
80	1	1316139400	FAN:28" DIA.	
90	1	1316140305	FAN SPACER:CPS400 KDI	
100	1	1316174900	HOSE:UPPER RADIATOR CPS400 KDI	
110	1	1316174400	HOSE:COOLANT INLET CPS400 KDI	
120	1	1316174503	PIPE:CAC INLET	
130	1	1316139705	HOSE:COOLANT-ENGINE TO TANK	
140	1	1310074637	TOP TANK ASY:6L	
150	1	1316139800	TOP TANK SUPPORT	
160	1	1316139850	BRACKET - COOLANT BOTTLE	
170	3	1310031197	HOSE:.25IDX.09W,RUBBER,POLYMER	
180	1	0075402569	TUBE	
190	1	1316174604	PRESSURE REDUCER:1.5MM BARB	
200	2	0075402569	TUBE	
210	2	1316174605	ISOLATOR:BOBBIN M8X40MM	
220	1	1310072311	CONNECTOR:CAC 3.00 HUMP	
230	1	1310030103	Sleeve	
240	1	1316174600	SLEEVE:SI,41MMX100MM	
250	1	1316174700	PIPE:T-CONNECTION	
260	1	1310073196	ELBOW-HOSE:.25 NPTX.25 BARB	
270	2	1310075623	CLAMP-HOSE:M52/76D CONST-TORQ	
280	2	1310075626	CLAMP-HOSE:M71/95D CONST-TORQ	
290	7	1310032384	CLAMP-HOSE: .25- .62,SIZE 4	
300	2	0347610900	CLAMP 25/38	
310	1	1310036557	CLAMP:0.5" ID XM10,P-TYPE \$RBR	
320	6	0347610019	HOSE CLAMP	
330	23	1615566400	HEX. HEAD SCREW	
340	32	0147132203	PARAF M8X16 DIN933 8.8 FZB	
350	14	0300801900	PLAIN WASHER	
360	12	0301233500	ARRUELA LISA 8,4X16X1,6	
380	4	0147132103	HEX. BOLT	
390	2	1310035525	PLUG-PIPE: .500NPT HEX HD	
400	5	0348010107	CABLE TY:M140L X 3.6W, BLACK	
410	8	0211132503	HEX. SOCK. SCREW	
420	2	0266211000	HEXAGON NUT M8	
440	1	1316208200	BRACKET:HEAT SHIELD CPS 400	
450	1	1316117153	GUARD-BELT:CPS 400 KOD RIGHT	
460	1	1316209300	BRACKET:HEAT SHIELD CPS 400	
470	3	0348010212	CABLE TIE: WITH FIR TREE MOUNT	
480	1	1316217400	FANBOX BRACE	

<b>Id</b>	<b>Qty</b>	<b>Number</b>	<b>Name</b>	<b>Specifications</b>
490	1	1619276600	PAINT STRIPPING BOLT(M8x20)	
500	1	1316199300	GUIDE: COOLANT BOTTLE LINE	
510	1	1310035556	HOSE:.3125IDX.4375OD,PVC,CLEAR	

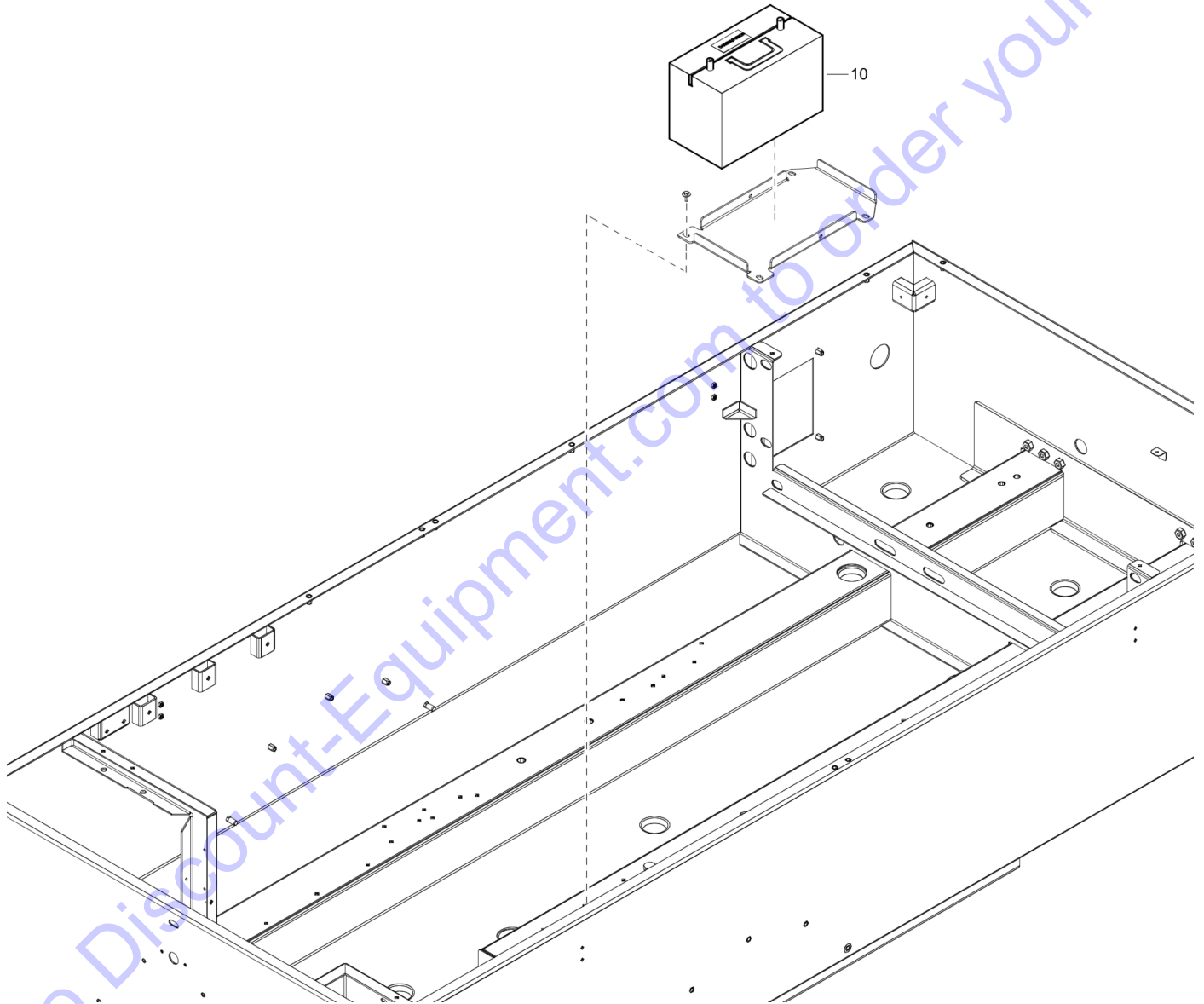
Go to Discount-Equipment.com to order your parts

NOT ILLUSTRATED			
REF	PART NUMBER	DESIGNATION	QTY
10	1316221410	HARNESS	1



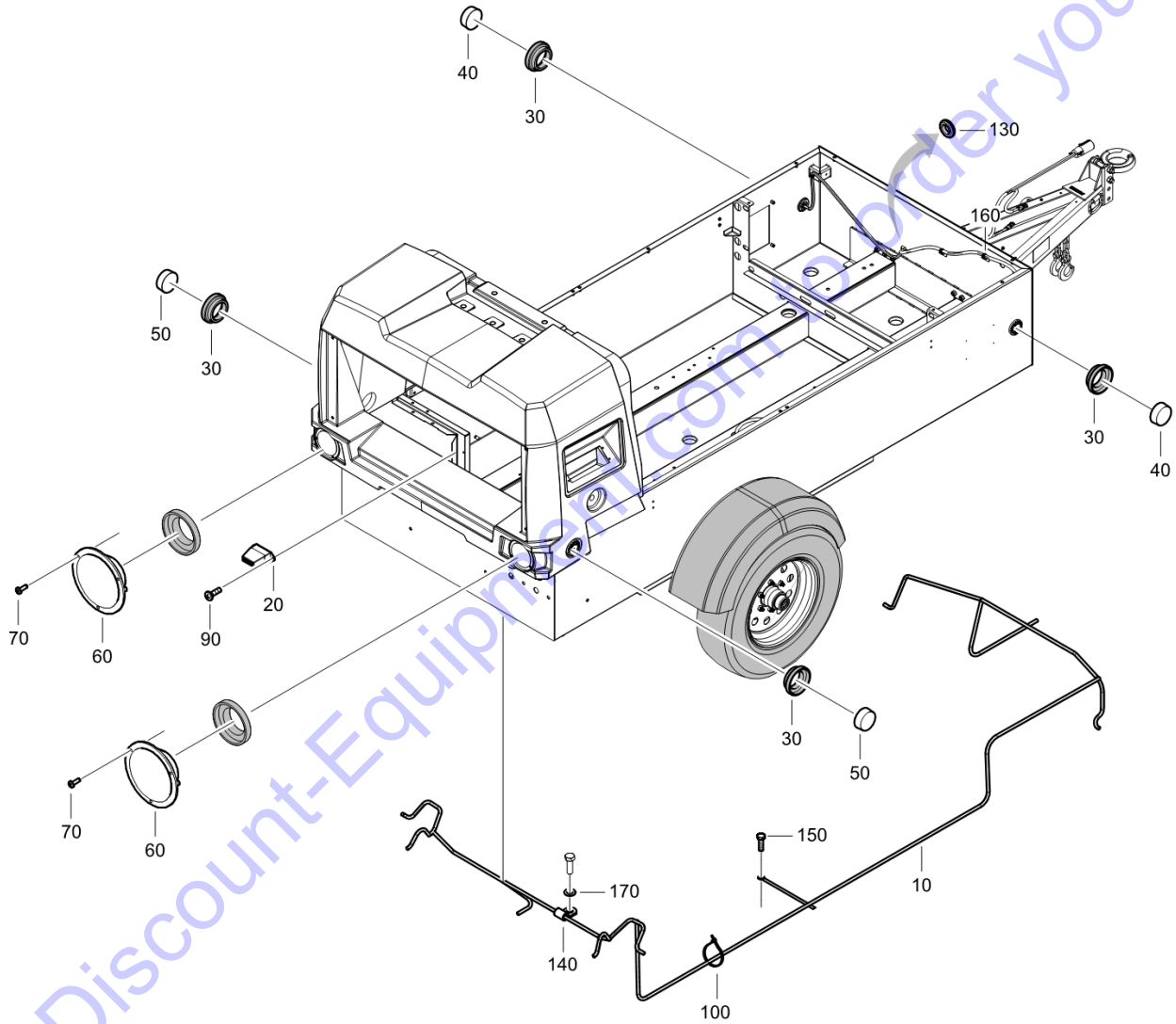
Id	Qty	Number	Name	Specifications
20	1	1310219701	SUPPORT:BATTERY PAN XAS188 S8	
30	1	1316184001	BRACKET:DCU	
35	1	1316184010	BRACKET:ECU CPS400 KOD	
40	1	1316174301	BRACKET:PDU	
60	1	1316174200	BATTERY CABLE: 15" POS	
70	1	1310192250	LAMP: 12V RED, 0.75MOUNTING	
80	1	1310074428	STRAP:GROUND 12"L X M12 HOLES	
90	1	1089057470	TEMPERATURE SENSOR PT1000	
100	1	0605881600	BUSHING:.50G MALE X .375GFEML	
110	1	1607852288	PRESSURE SENSOR	
120	1	1310031166	CLAMP-BATTERY:UNIVERSAL HOLD	
130	1	1310036557	CLAMP:0.5" ID XM10,P-TYPE \$RBR	
150	4	0147124903	HEX. HEAD SCREW	
160	4	0147125003	HEX. HEAD SCREW	
180	12	1615566400	HEX. HEAD SCREW	
190	4	1619276600	PAINT STRIPPING BOLT(M8x20)	
200	9	0301232100	PLAIN WASHER	
220	1	1088001902	WASHER M10-T2.4	
240	2	0348010212	CABLE TIE: WITH FIR TREE MOUNT	
250	1	1310253601	CABLE TY:M375LX21W	
260	5	1310035574	GROMMET: 1.75ODX 1.0IDX .40THK	
270	1	1316013300	BRACKET:AMBIENT TEMP SENSOR	
280	3	1310034289	CLAMP-HOSE: 1.00' NOM P-CLAMP	
290	1	0147124703	HEX. HEAD SCREW M6 X 20	
300	3	1316174605	ISOLATOR:BOBBIN M8X40MM	
310	3	0300027666	WASHER:M8.40/16.0X1.5T BLACK	
320	3	0266211000	HEXAGON NUT M8	
330	1	1089942910	FLASH BULB	
340	1	1089943003	HORN:24V	
350	1	1310076275	GROMMET:.88ID 1.00 HOLE .06 TH	
360	2	1316021285	J-BOLT:1/4-20 X 9 ZINC PLT	
370	2	1316021286	NUT: 1/4-20 HEX NUT ZINC PLT	
380	2	1316021287	WASHER: 1/4 USS TYPE ZINC PLT	





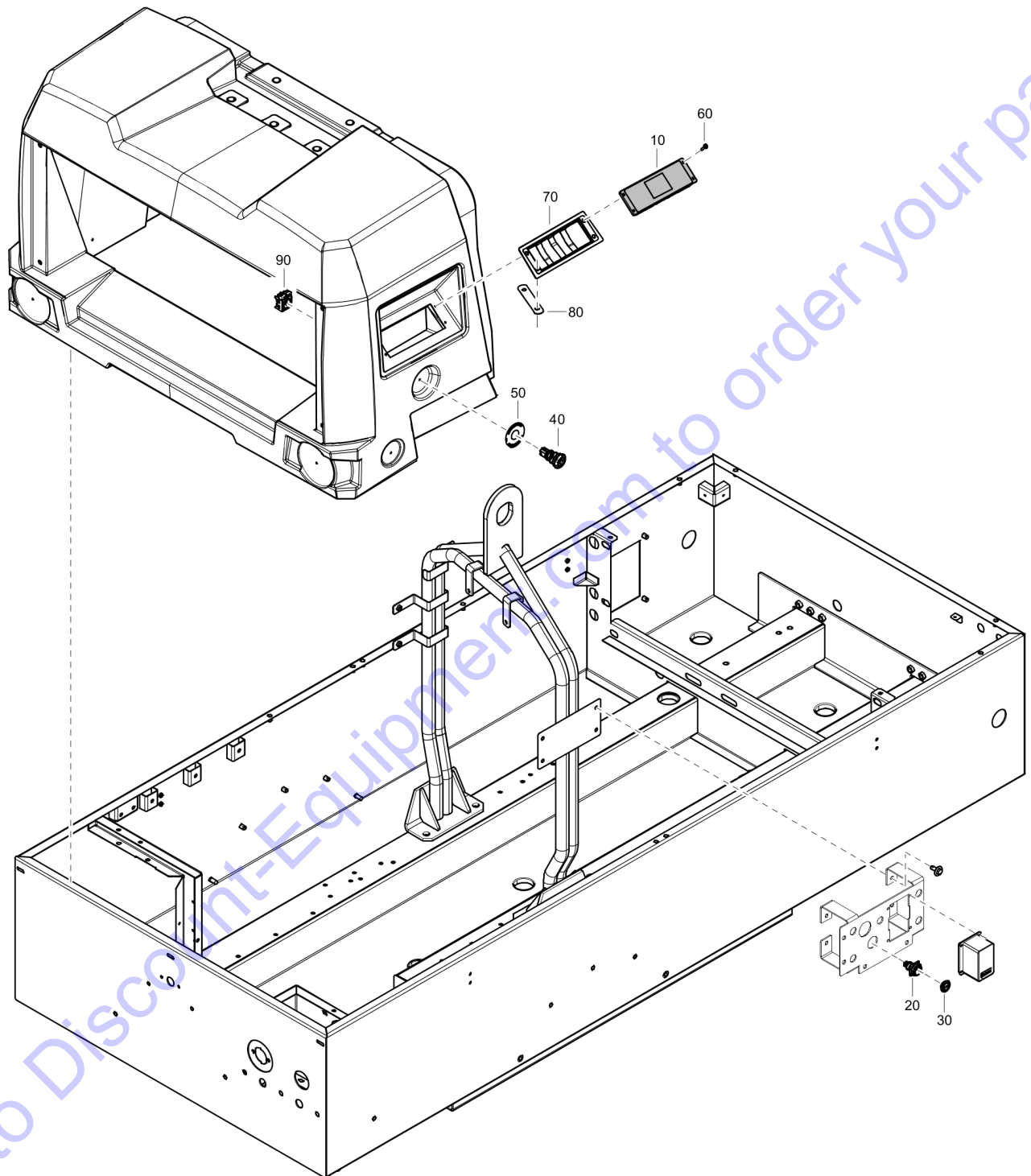
<b>Id</b>	<b>Qty</b>	<b>Number</b>	<b>Name</b>	<b>Specifications</b>
10	1	1310030585	Battery:1100cca group 31	

Go to Discount-Equipment.com to order your parts



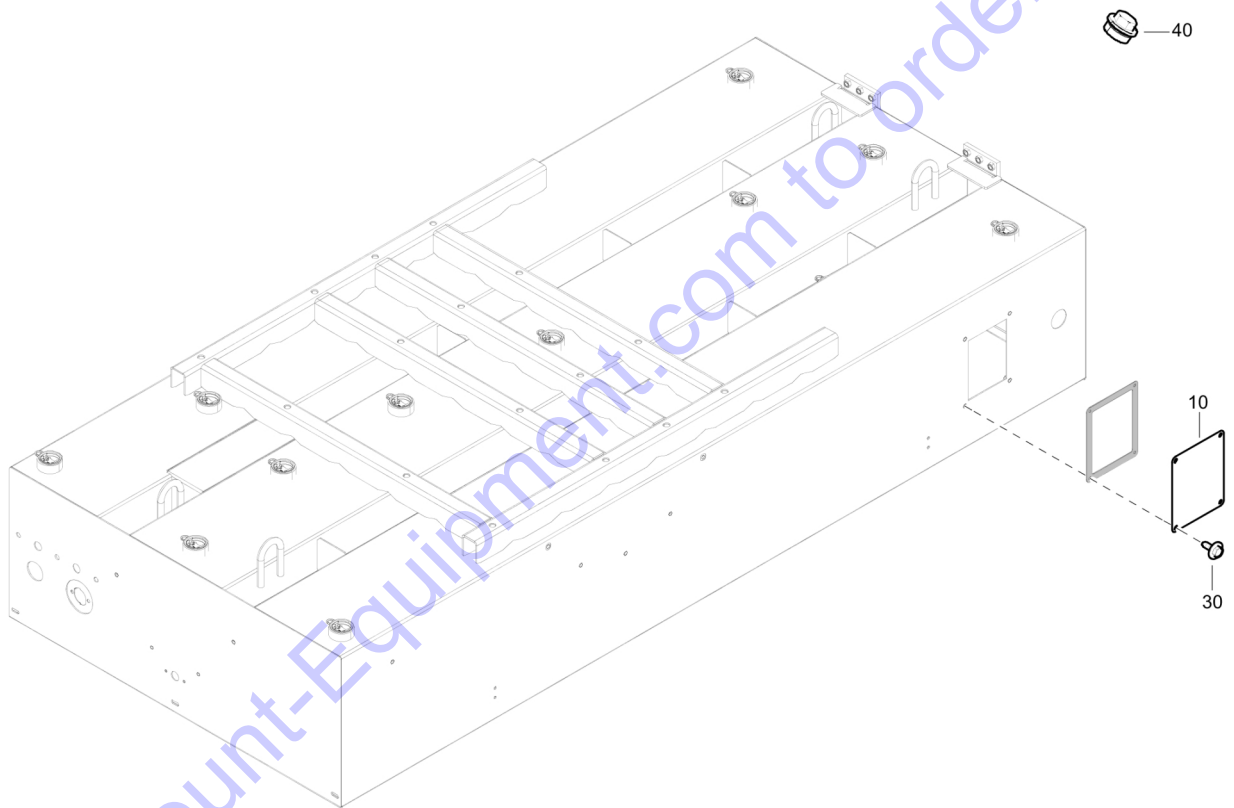
Id	Qty	Number	Name	Specifications
10	1	1316200501	Wire harness:road lights	
20	1	1310036971	LAMP:LICENSE PLATE	
30	4	1310415500	GROMMET:2" SIDE MARKER LIGHTS	
40	2	1310414300	REFLECTOR	
50	2	1310414200	REFLECTOR	
60	2	1310416600	LAMP:STOP-TURN TAIL,4+ W/RING,	
70	6	1310075725	SCREW:DRILL, M4.2X16MM CRSSPAN	
90	2	0160099611	CROSS REC SCREW	
100	10	0348010212	CABLE TIE: WITH FIR TREE MOUNT	
130	3	1310035574	GROMMET: 1.75ODX 1.0IDX .40THK	
140	3	1310031266	CLAMP:WIRE & TUBE CLIP FOR .38	
150	2	0147132503	HEX. HEAD SCREW	
160	5	1088130105	CABLE TIE:	
170	2	0301233500	ARRUELA LISA 8,4X16X1,6	

Go to Discount-Equipment.com to order your parts



<b>Id</b>	<b>Qty</b>	<b>Number</b>	<b>Name</b>	<b>Specifications</b>
10	1	1638605402	CONTROLLER:XC1004	
20	1	1310074140	ADAPTER:USB-A TO USB-B PE400	
30	1	1310074142	ADAPTER COVER:USB TYPE A	
40	1	1310600560	SWITCH:E-STOP S2 QAS CUBICLE	
50	1	1316010150	LABEL:E-STOP 3" DIA YELLOW	
60	4	0160099697	SCREW:M6X55;CHSEHD;CROSS BLACK	
70	1	1638666810	SEAL:XC1004 CONTROLLER	
80	2	1310221100	PLATE:CONTROLLER BACKING	
90	1	1310600562	SWITCH-HOLDER:METAL	

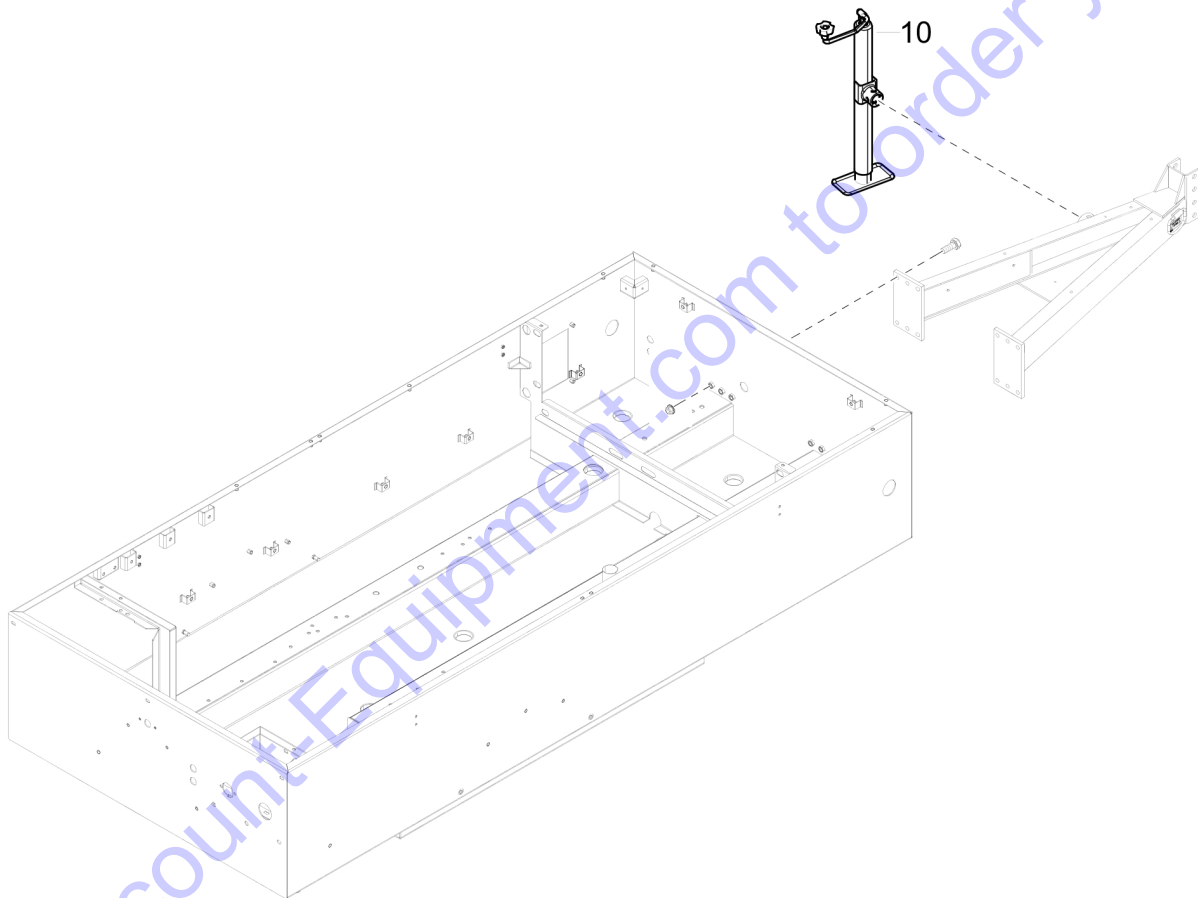
Go to Discount-Equipment.com to order your parts



<b>Id</b>	<b>Qty</b>	<b>Number</b>	<b>Name</b>	<b>Specifications</b>
10	1	1316139910	PLATE:COVER NON EFT BLACK	
30	4	1615566400	HEX. HEAD SCREW	
40	2	1316010232	PLUG:1-3/8" HOLE	

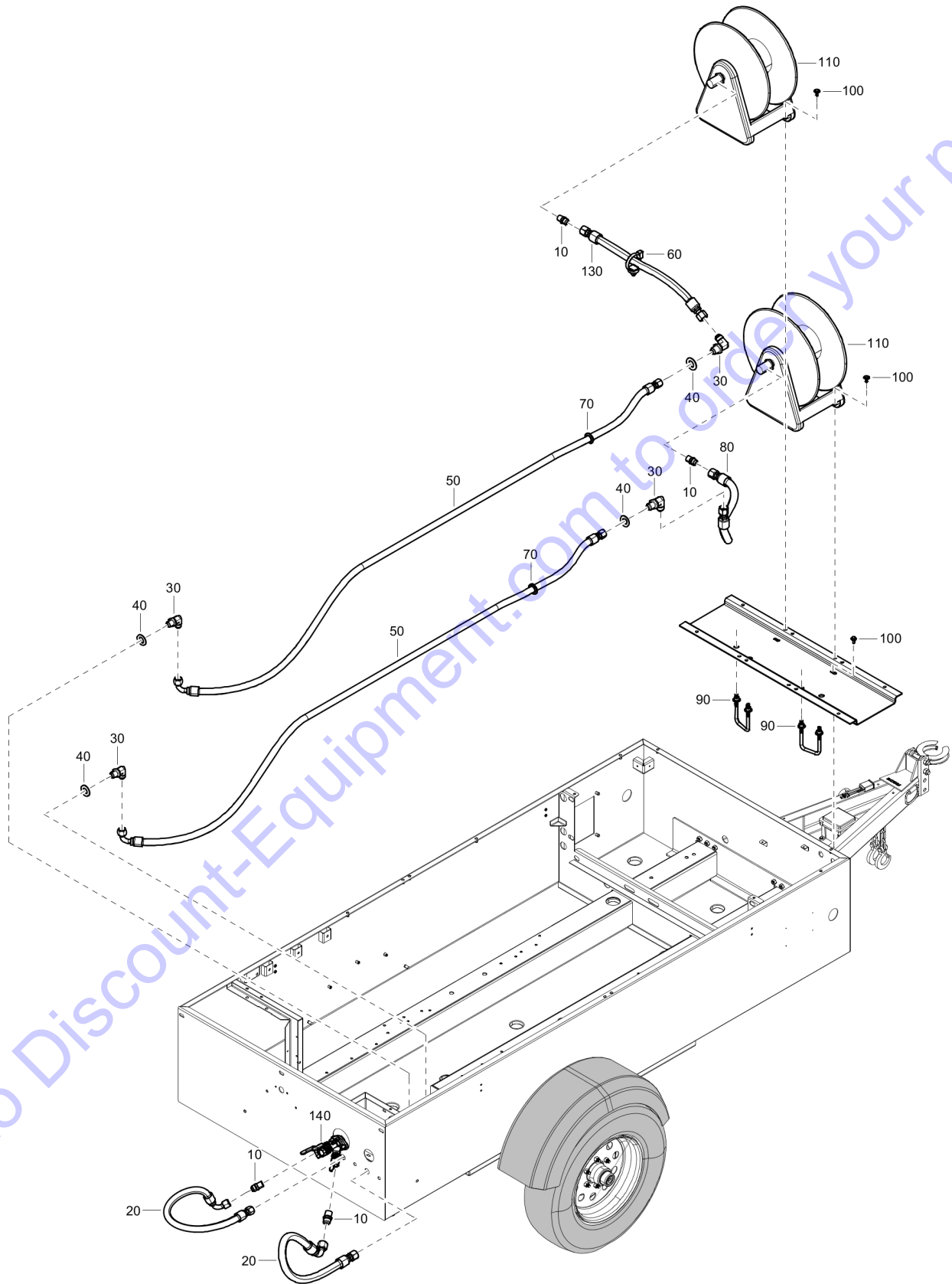
Go to Discount-Equipment.com to order your parts





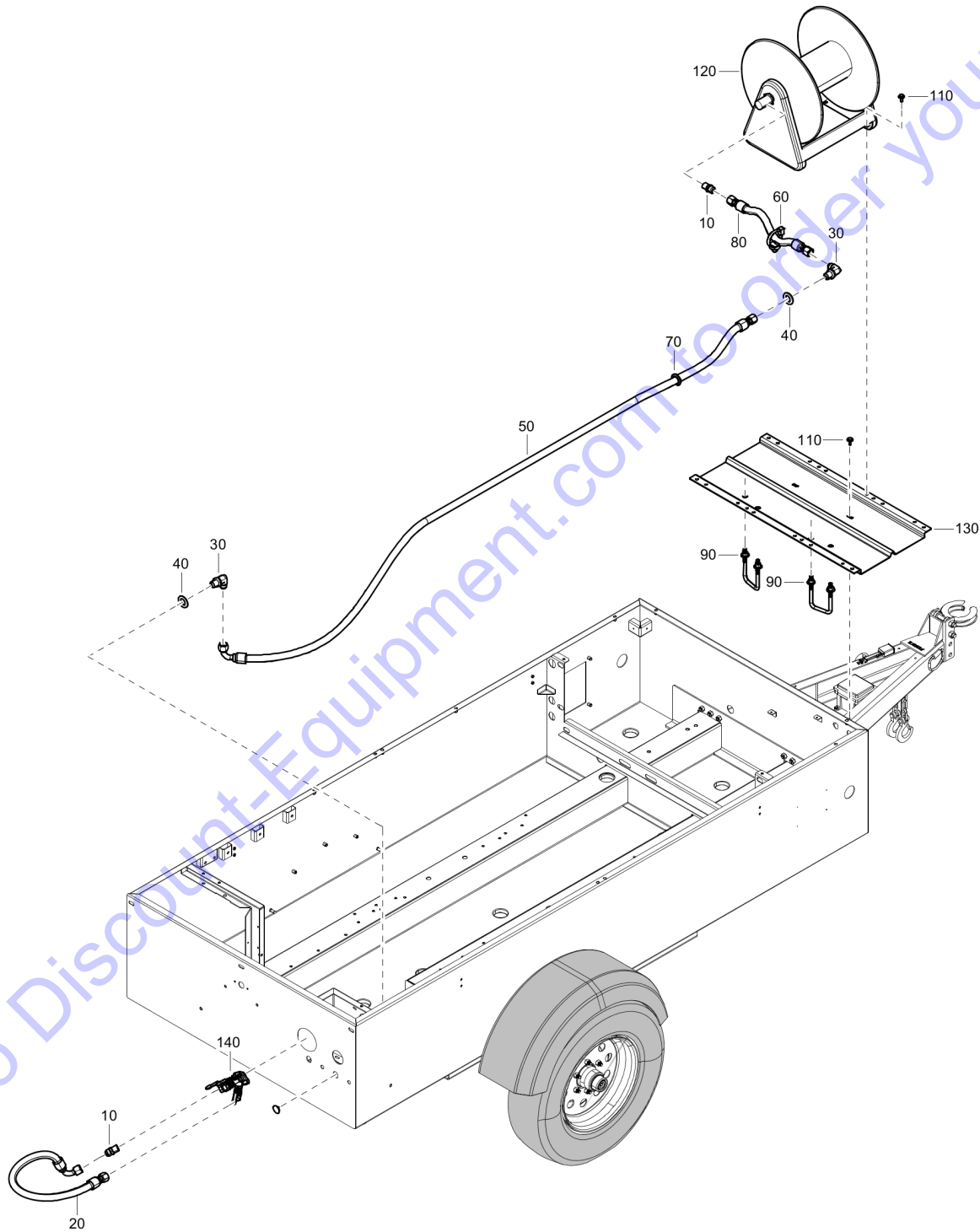
<b>Id</b>	<b>Qty</b>	<b>Number</b>	<b>Name</b>	<b>Specifications</b>
10	1	1310266489	JACK ASY:15"TRAVEL,FOOTPLATE	

Go to Discount-Equipment.com to order your parts



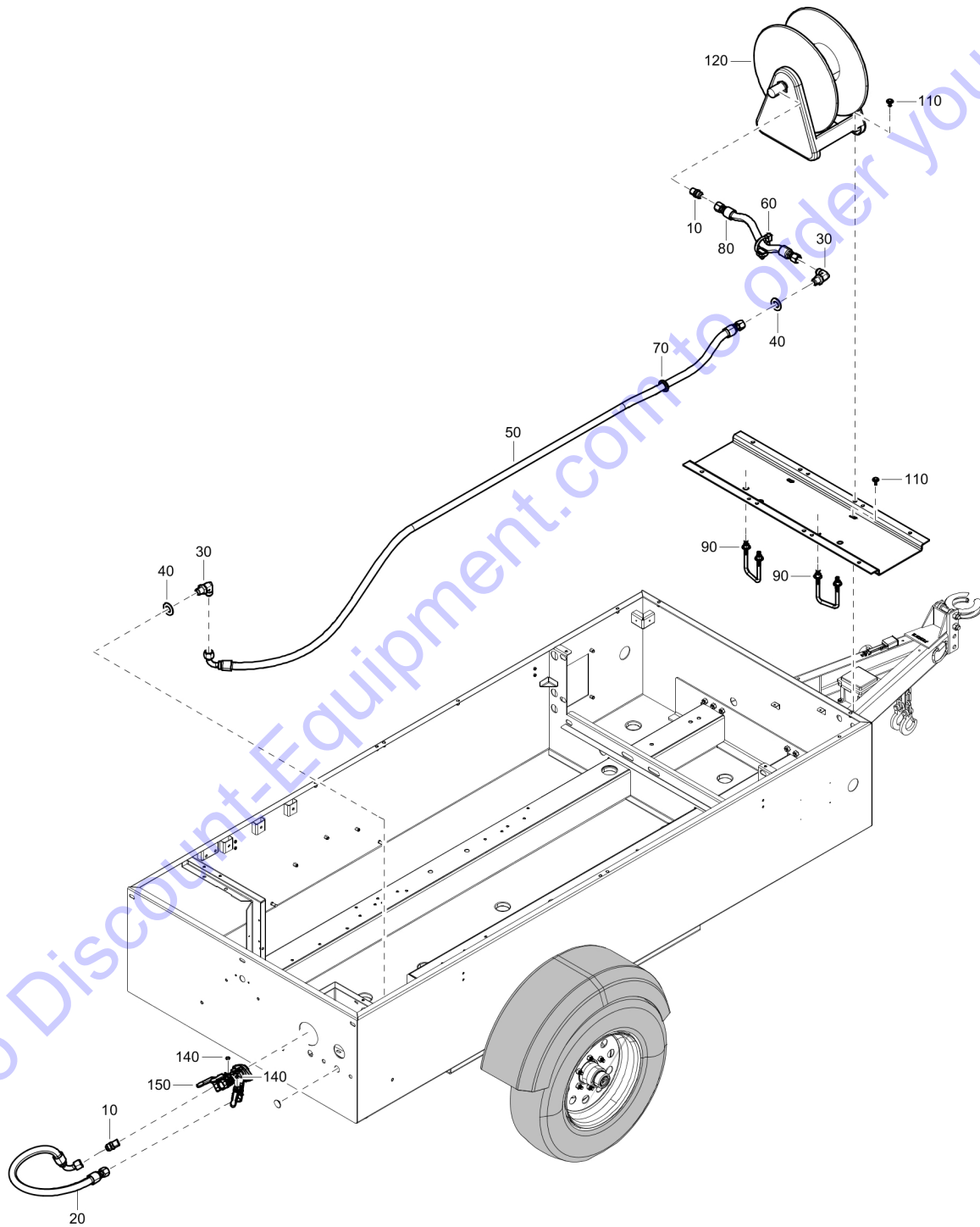
<b>Id</b>	<b>Qty</b>	<b>Number</b>	<b>Name</b>	<b>Specifications</b>
10	4	3176653900	ADAPTER: .750MPTX1.06-12JIC ST	
20	2	1316157600	HOSE ASSEMBLY: VALVE TO FRAME	
30	4	1310074470	ELBOW:BULKHEAD 90 12JIC M2M	
40	4	1310030978	WASHER-FLAT:27ID/50OD/4TH \$STL	
50	2	1316157800	HOSE ASSEMBLY: FRAME INTERIOR	
60	1	0348010212	CABLE TIE: WITH FIR TREE MOUNT	
70	2	1310073837	GROMMET:1-1/2ID HOLE 1/8 THK	
80	1	1316157900	HOSE ASSEMBLY: FRAME TO CURB REEL	
90	2	1316206900	U-BOLT	
100	10	1615566400	HEX. HEAD SCREW	
110	2	1310034441	HOSE REEL:6" WIDE,50 FT	
130	1	1316208300	HOSE ASSEMBLY: FRAME TO ROAD REEL	
140	1	1626857391	TRIPLE BALL VALVE	

Go to Discount-Equipment.com to order your parts



Id	Qty	Number	Name	Specifications
10	2	3176653900	ADAPTER: .750MPTX1.06-12JIC ST	
20	1	1316157600	HOSE ASSEMBLY: VALVE TO FRAME	
30	2	1310074470	ELBOW:BULKHEAD 90 12JIC M2M	
40	2	1310030978	WASHER-FLAT:27ID/50OD/4TH \$STL	
50	1	1316157800	HOSE ASSEMBLY: FRAME INTERIOR	
60	1	0348010212	CABLE TIE: WITH FIR TREE MOUNT	
70	1	1310073837	GROMMET:1-1/2ID HOLE 1/8 THK	
80	1	1316157700	HOSE ASSEMBLY: FRAME TO CENTER REEL	
90	2	1316206900	U-BOLT	
110	6	1615566400	HEX. HEAD SCREW	
120	1	1310034149	HOSE REEL:12" WIDE, 100FT	
130	1	1316206800	BRACKET:TOOLBOX SIZE 1	
140	1	1626857391	TRIPLE BALL VALVE	

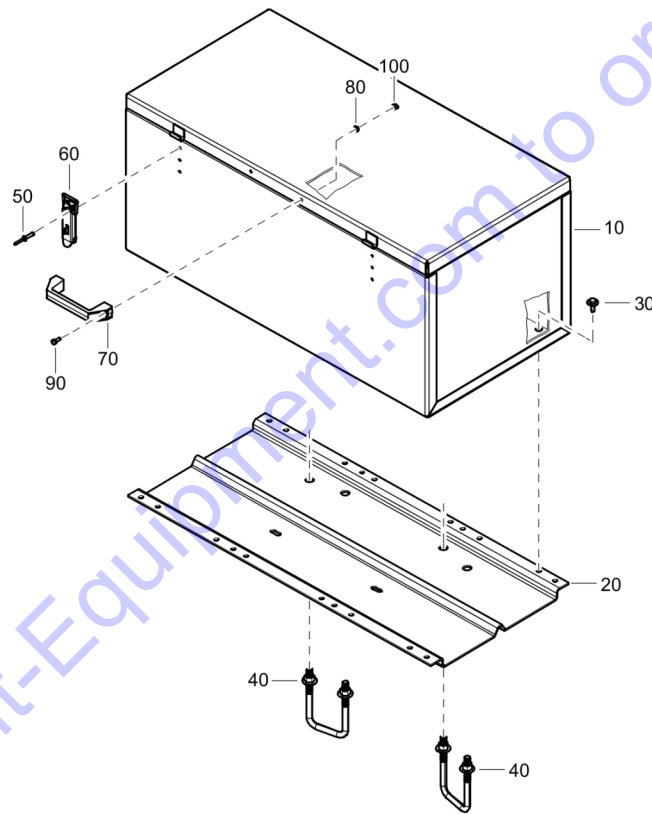
Go to Discount-Equipment.com to order your parts



Id	Qty	Number	Name	Specifications
10	2	3176653900	ADAPTER: .750MPTX1.06-12JIC ST	
20	1	1316157600	HOSE ASSEMBLY: VALVE TO FRAME	
30	2	1310074470	ELBOW:BULKHEAD 90 12JIC M2M	
40	2	1310030978	WASHER-FLAT:27ID/50OD/4TH \$STL	
50	1	1316157800	HOSE ASSEMBLY: FRAME INTERIOR	
60	1	0348010212	CABLE TIE: WITH FIR TREE MOUNT	
70	1	1310073837	GROMMET:1-1/2ID HOLE 1/8 THK	
80	1	1316157700	HOSE ASSEMBLY: FRAME TO CENTER REEL	
90	2	1316206900	U-BOLT	
110	6	1615566400	HEX. HEAD SCREW	
120	1	1310034441	HOSE REEL:6" WIDE,50 FT	
140	2	0263321500	NUT: 1-1/6UN FOR -12 JIC	
150	1	1626857391	TRIPLE BALL VALVE	

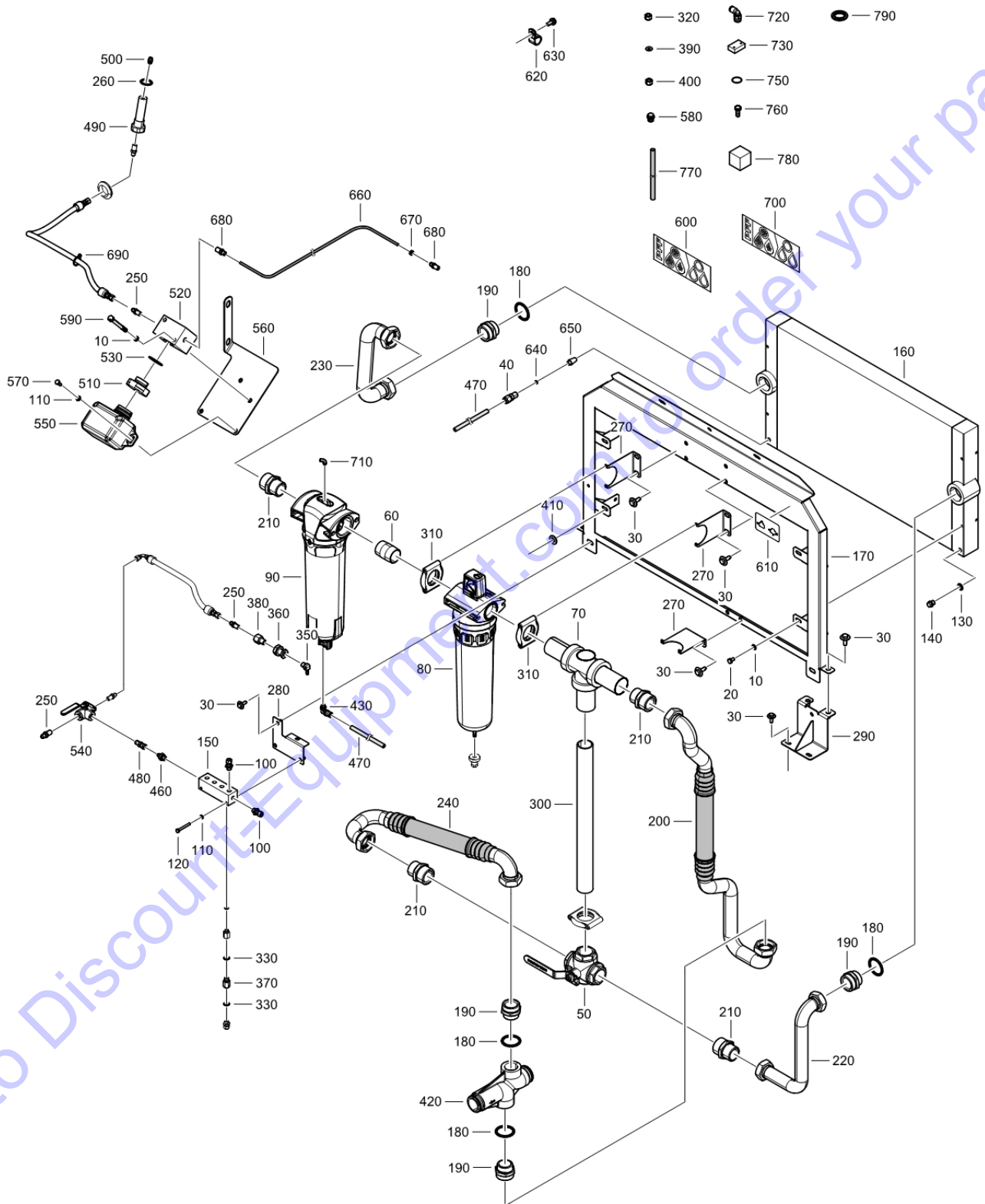
Go to Discount-Equipment.com to order your parts





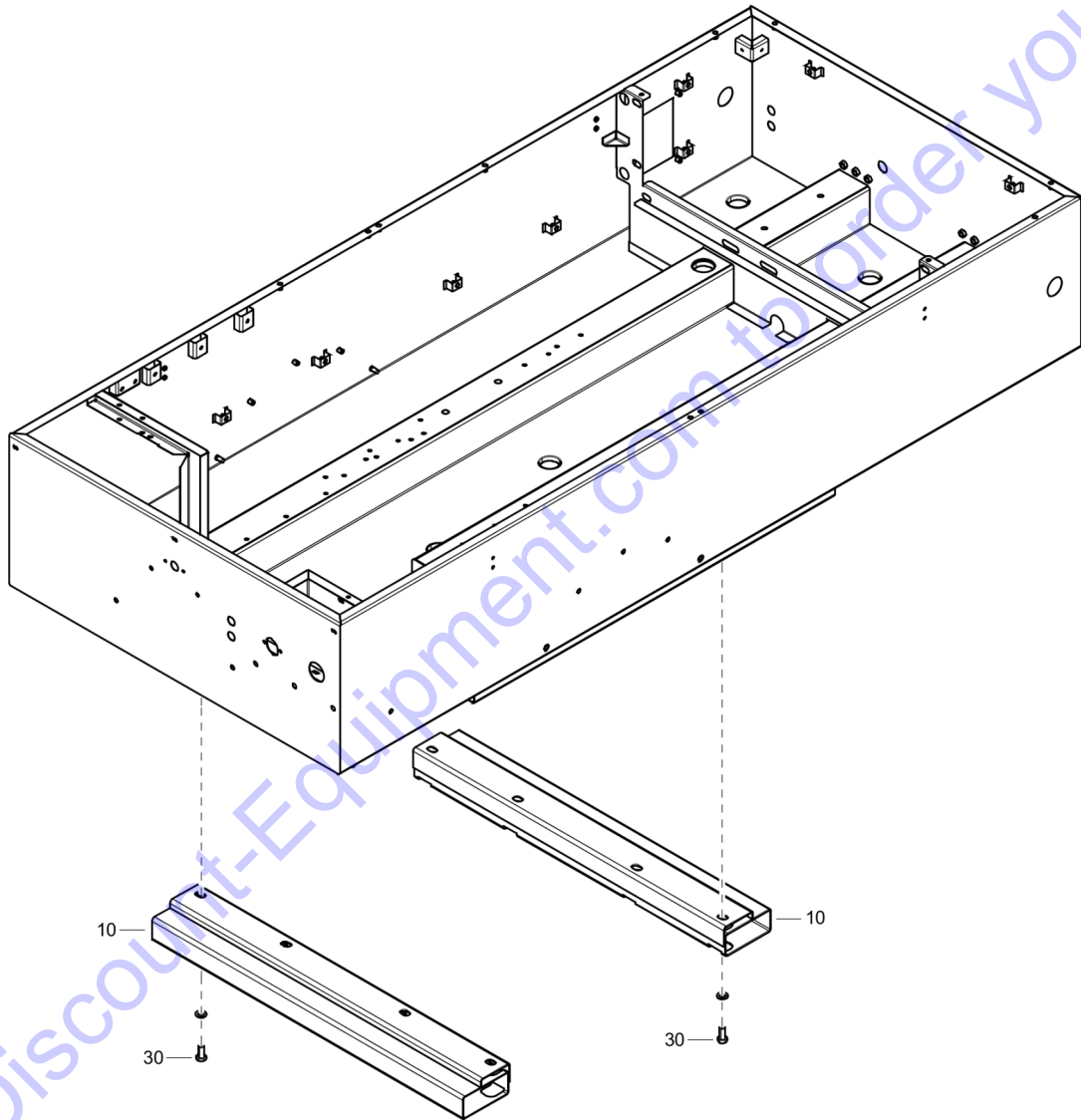
<b>Id</b>	<b>Qty</b>	<b>Number</b>	<b>Name</b>	<b>Specifications</b>
10	1	1310469402	TOOLBOX:LARGE,DRAWBAR MNT,BLK	
20	1	1316206800	BRACKET:TOOLBOX SIZE 1	
30	10	1615566400	HEX. HEAD SCREW	
40	2	1316206900	U-BOLT	
50	6	1310032787	RIVET-POP: .187DX.375L(.126/.25	
60	2	1604668600	LOWER LATCH SUPPORT	
70	1	1202867300	HANDLE-HANDGRIP:	
80	2	0333212100	WASHER-SPRING:M 6.45/12.4X1.5M	
90	2	0147124603	SCREW	
100	2	0266210800	HEXAGON NUT	

Go to Discount-Equipment.com to order your parts



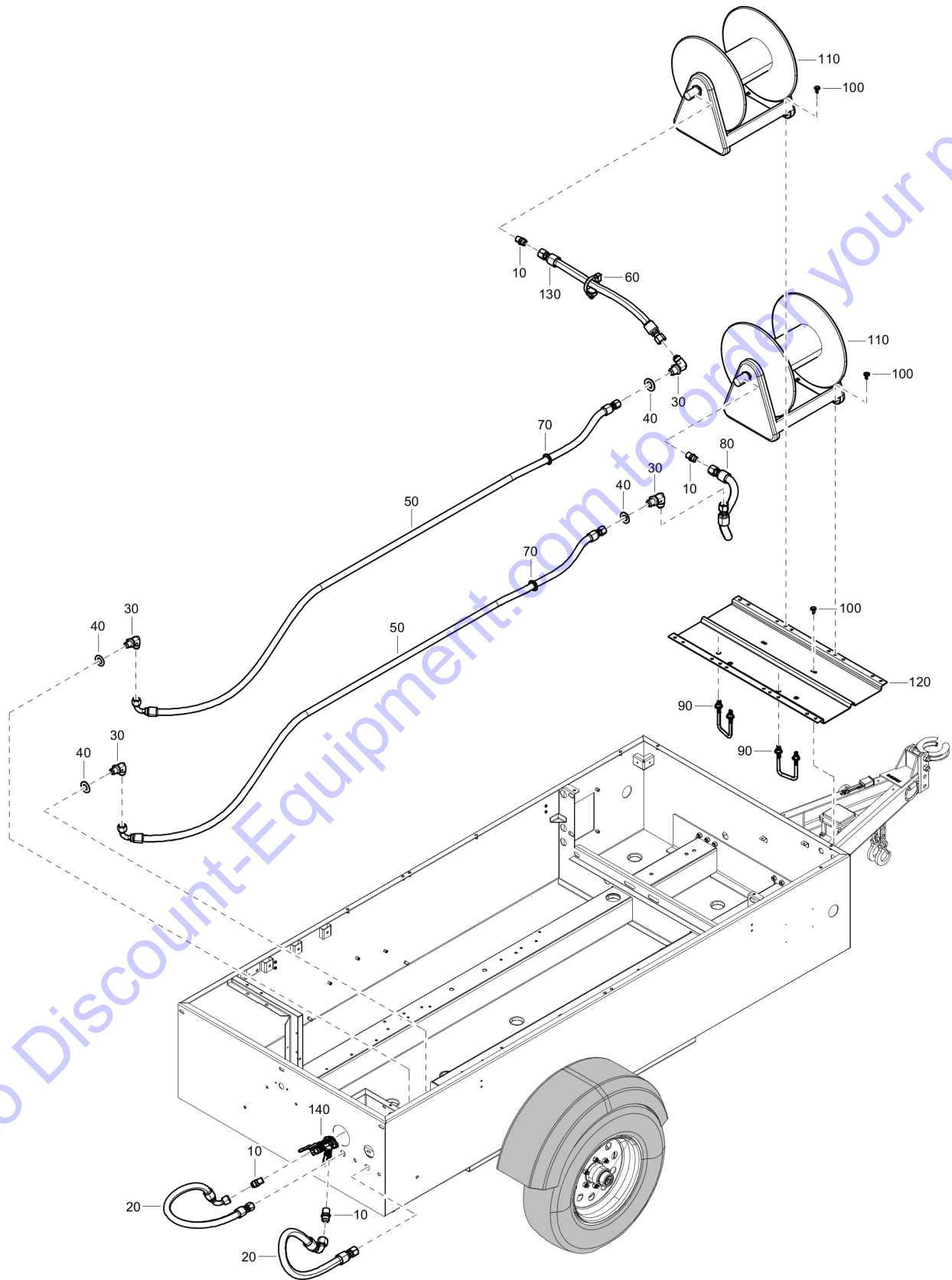
Id	Qty	Number	Name	Specifications
10	14	0301233500	ARRUELA LISA 8,4X16X1,6	
20	8	0147132103	HEX. BOLT	
30	19	1615566400	HEX. HEAD SCREW	
40	1	1615861902	COUPLING:WS/PD/DD FILTER DRAIN	
50	1	1310075988	VALVE:3-WAY BALL 1-1/2NPT "F"	
60	1	1310084100	NIPPLE:CLOSE 1.5NPT X 2.5L	
70	1	1316010262	TEE: 1 1/2" NPT	
80	1	1316021689	OIL COALESCING FILTER	
90	1	1638661200	WATER SEPARATOR	
100	4	0581000035	COUPLING:M 8ODTXG .250MALE NYL	
110	4	0301232100	PLAIN WASHER	
120	2	0147196276	SCREW:M 6 X 50L,HXHD,ZNPLT	
130	1	0661100038	WASHER-SEAL:M 13.7X20.57X2 \$ST	
140	3	0686371601	PLUG:G .250 HEX HEAD,ZN PLT,	
150	1	1310801700	MANIFOLD: 8MM TUBING	
160	1	1310127300	AFTERCOOLER	
170	1	1316115401	PANEL - AFTERCOOLER	
180	4	1316010221	WASHER-SEAL:M 48.4IDX58.7OD	
190	4	0571003541	NIPPLE:G1.5XM52-1.5	
200	1	1316140000	HOSE: AIR OUT AC	
210	4	1316010101	NIPPLE - ADAPTOR:M42 X 1.5 NPT	
220	1	1316113101	PIPE: TO AFTERCOOLER	
230	1	1316142901	PIPE - AFTERCOOLER FILTERS	
240	1	1316143000	HOSE - VESSEL TO VALVE	
250	3	1310076187	COUPLING:1/4NPTX8MM PUSH-TO- LK	
260	1	0653116500	COPPER WASHER	
270	2	1316142800	BRACKET - AFTERCOOLER FILTERS	
280	1	1316116300	SUPPORT:TUBING MANIFOLD BLOCK	
290	1	1316116100	SUPPORT:AFTERCOOLER XAS400/440	
300	1	1316113001	PIPE: AFTERCOOLER	
310	2	1310050304	CLAMP:U-BOLT 2"OD X 5/16THD	
320	4	0292130500	LOCKNUT: .312-18HEX ZN PLT,\$ST	
330	7	0653106200	GASKET 13 X 20 X 1.5	
350	1	0581120023	ELBOW-TUBE:M 80DTXISO7- R .250M	
360	1	1310072952	BULKHEAD: ANCHOR COUPLING	
370	1	1310224200	PRESSURE REDUCER:1.5MM	
380	1	1316010074	ADP 1/4"BSPP X 1/4"MNPT BRASS,	
390	2	0301232700	WASHER-FLAT:M 6.70/16.0X1.5T,N	
400	1	0266211000	HEXAGON NUT M8	
410	1	0300027666	WASHER:M8.40/16.0X1.5T BLACK	
420	1	1638795100	AIR OUTLET PIPE, AC W/PORT	
430	2	1310074084	ELBOW:G.125 MALE X M8 OD TUBE	
460	1	1310923752	FITTING:1/4BSPPX1/4JIC MALE	

Id	Qty	Number	Name	Specifications
470	6.29 4	0070600205	TUBE:M8.0ODX 5.5ID,BLACK	
480	1	1310266507	ADAPTER:-4JICF TO 0.25NPT	
490	1	1316010006	PIPE:CONDENSATE REMOVAL	
500	1	1316010001	NOZZLE:40PSI .3GPM 1/8MNPT	
510	1	1626555280	VALVE-SAFETY:SIZE 2 AFTERCOOLR	
520	1	1316010300	BLOCK:CONDENSATE DRAIN	
530	1	0653118900	GASKET-FLAT:	
540	1	1310266508	VALVE:3WAY 0.25" NPT	
550	1	1316156700	CONDENSATE FLASH BOTTLE	
560	1	1316199200	COND. FLASH BOTTLE BRACKET	
570	2	0147124603	SCREW	
580	1	1310073837	GROMMET:1-1/2ID HOLE 1/8 THK	
590	2	0147133603	SCREW:M 8 X 80 8.8 ZP-STL	
600	1	1310677100	LABEL:QUALITY AIR (PFF)	
610	1	1310035608	LABEL:AC VALVE POS XAS400CD	
620	1	1310075638	CLAMP:3/4" ID, M8 HOLE	
630	1	1619276600	PAINT STRIPPING BOLT(M8x20)	
640	1	1615862000	RESTRICTOR:XAS 46-76	
650	1	0803501210	SILENCER	
660	8.4	0075402569	TUBE	
670	2	1310035202	CLAMP-HOSE: .56-1.06	
680	2	1310032151	ADAPTER-HOSE:.250NPT X.375BARB	
690	1	0348010212	CABLE TIE: WITH FIR TREE MOUNT	
700	1	1310677100	LABEL:QUALITY AIR (PFF)	
710	2	0583812062	ELBOW:PUSH-IN COUPLING	
720	2	0583812010	ELBOW:PUSH IN 4M	
730	1	1310934400	BLOCK:ALUMINUM GAUGE MOUNT	
750	2	0301231800	PLAIN WASHER	
760	2	0147120403	HEX. HEAD SCREW	
770	4	0070600220	TUBE:4MM	
780	1	1316021688	FILTER MOUNTING KIT	
790	2	1316022910	WASHER-SEAL M 5.8IDX11.30D	



Id	Qty	Number	Name	Specifications
10	1	1316206100	FORK POCKET - FRONT	
30	8	1316010275	Screw:m16 x 35mm; fhcs,zn plt	

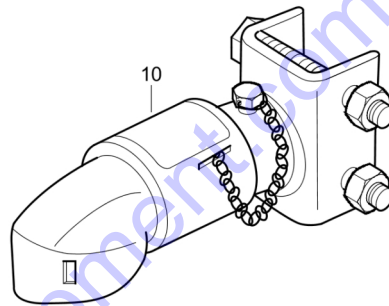
Go to Discount-Equipment.com to order your parts





Id	Qty	Number	Name	Specifications
10	4	3176653900	ADAPTER: .750MPTX1.06-12JIC ST	
20	2	1316157600	HOSE ASSEMBLY: VALVE TO FRAME	
30	4	1310074470	ELBOW:BULKHEAD 90 12JIC M2M	
40	4	1310030978	WASHER-FLAT:27ID/50OD/4TH \$STL	
50	2	1316157800	HOSE ASSEMBLY: FRAME INTERIOR	
60	1	0348010212	CABLE TIE: WITH FIR TREE MOUNT	
70	2	1310073837	GROMMET:1-1/2ID HOLE 1/8 THK	
80	1	1316157900	HOSE ASSEMBLY: FRAME TO CURB REEL	
90	2	1316206900	U-BOLT	
100	10	1615566400	HEX. HEAD SCREW	
110	2	1310034149	HOSE REEL:12" WIDE, 100FT	
120	1	1316206800	BRACKET:TOOLBOX SIZE 1	
130	1	1316208300	HOSE ASSEMBLY: FRAME TO ROAD REEL	
140	1	1626857391	TRIPLE BALL VALVE	

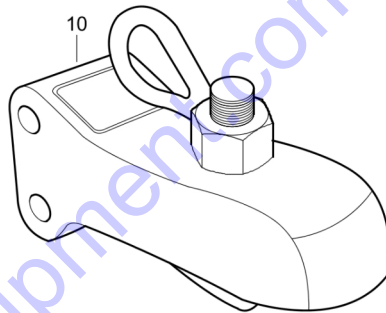
Go to Discount-Equipment.com to order your parts



Go to Discount-Equipment.com to order your parts

Id	Qty	Number	Name	Specifications
10	1	1310072216	COUPLER:ADJUSTABLE 2+ BULLDOG	

Go to Discount-Equipment.com to order your parts



Id	Qty	Number	Name	Specifications
10	1	1310034211	COUPLER:1.88/2.00 IN. BALL	

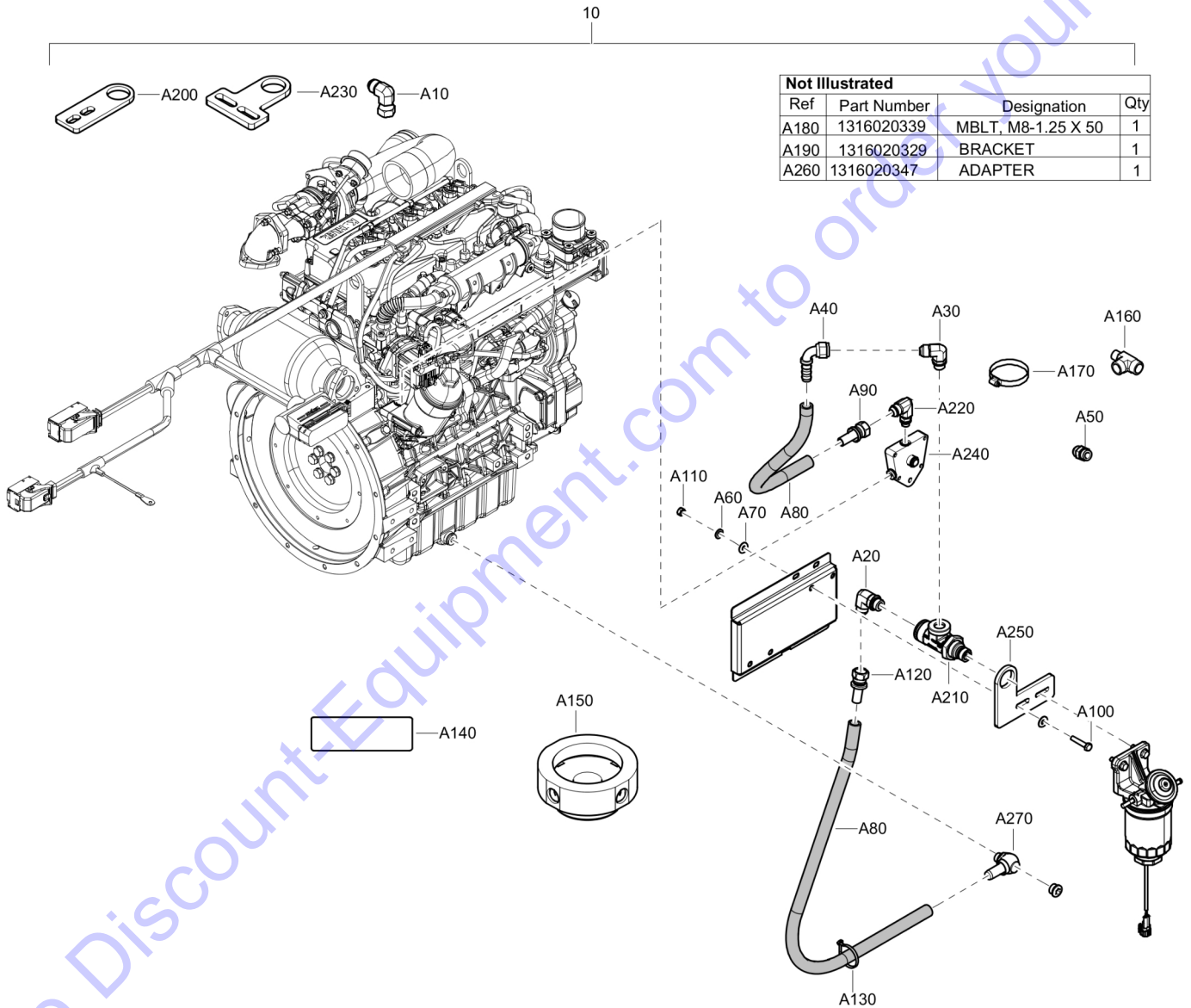
Go to Discount-Equipment.com to order your parts



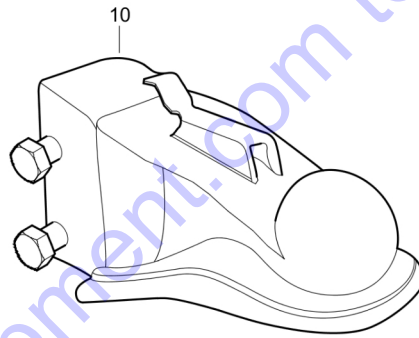
Id	Qty	Number	Name	Specifications
10	4	1316010101	NIPPLE - ADAPTOR:M42 X 1.5 NPT	
20	3	1310076187	COUPLING:1/4NPTX8MM PUSH-TO-LK	
30	1	1316113001	PIPE: AFTERCOOLER	
40	1	1316113101	PIPE: TO AFTERCOOLER	
50	1	1316115401	PANEL - AFTERCOOLER	
60	1	1316140000	HOSE: AIR OUT AC	
70	2	1316142800	BRACKET - AFTERCOOLER FILTERS	
80	1	1316142901	PIPE - AFTERCOOLER FILTERS	
90	1	1316143000	HOSE - VESSEL TO VALVE	
100	14	0301233500	ARRUELA LISA 8,4X16X1,6	
110	8	0147132103	HEX. BOLT	
120	19	1615566400	HEX. HEAD SCREW	
130	1	1615861902	COUPLING:WS/PD/DD FILTER DRAIN	
140	1	1310075988	VALVE:3-WAY BALL 1-1/2NPT "F"	
150	1	1310084100	NIPPLE:CLOSE 1.5NPT X 2.5L	
160	1	1316010262	TEE: 1 1/2" NPT	
170	1	1316021689	OIL COALESCING FILTER	
180	1	1638661200	WATER SEPARATOR	
190	4	0581000035	COUPLING:M 8ODTXG .250MALE NYL	
200	4	0301232100	PLAIN WASHER	
205	1	0070600205	TUBE:M8.0ODX 5.5ID,BLACK	
210	2	0147196276	SCREW:M 6 X 50L,HXHD,ZNPLT	
220	1	0661100038	WASHER-SEAL:M 13.7X20.57X2 \$ST	
230	3	0686371601	PLUG:G .250 HEX HEAD,ZN PLT,	
240	1	1310801700	MANIFOLD: 8MM TUBING	
250	1	1310127300	AFTERCOOLER	
260	4	1316010221	WASHER-SEAL:M 48.4IDX58.7OD	
270	4	0571003541	NIPPLE:G1.5XM52-1.5	
280	1	0653116500	COPPER WASHER	
290	1	1316116300	SUPPORT:TUBING MANIFOLD BLOCK	
300	1	1316116100	SUPPORT:AFTERCOOLER XAS400/440	
310	2	1310050304	CLAMP:U-BOLT 2"OD X 5/16THD	
320	4	0292130500	LOCKNUT: .312-18HEX ZN PLT,\$ST	
330	7	0653106200	GASKET 13 X 20 X 1.5	
350	1	0581120023	ELBOW-TUBE:M 80DTXISO7-R .250M	
360	1	1310072952	BULKHEAD: ANCHOR COUPLING	
370	1	1310224200	PRESSURE REDUCER:1.5MM	
380	1	1316010074	ADP 1/4"BSPP X 1/4"MNPT BRASS,	
390	2	0301232700	WASHER-FLAT:M 6.70/16.0X1.5T,N	
400	1	0266211000	HEXAGON NUT M8	
410	1	0300027666	WASHER:M8.40/16.0X1.5T BLACK	
420	1	1638795100	AIR OUTLET PIPE, AC W/PORT	
430	1	1316010006	PIPE:CONDENSATE REMOVAL	

Id	Qty	Number	Name	Specifications
440	2	1310074084	ELBOW:G.125 MALE X M8 OD TUBE	
450	5	0070600205	TUBE:M8.0ODX 5.5ID,BLACK	
460	1	0075402569	TUBE	
470	2	0147133603	SCREW:M 8 X 80 8.8 ZP-STL	
480	1	0348010212	CABLE TIE: WITH FIR TREE MOUNT	
490	1	0653118900	GASKET-FLAT:	
500	1	0803501210	SILENCER	
510	2	1310032151	ADAPTER-HOSE:.250NPT X.375BARB	
520	2	1310035202	CLAMP-HOSE: .56-1.06	
530	1	1310035608	LABEL:AC VALVE POS XAS400CD	
540	1	1310073837	GROMMET:1-1/2ID HOLE 1/8 THK	
550	1	1310075638	CLAMP:3/4" ID, M8 HOLE	
560	1	1310266507	ADAPTER:-4JICF TO 0.25NPT	
570	1	1310266508	VALVE:3WAY 0.25" NPT	
580	1	1310677100	LABEL:QUALITY AIR (PFF)	
590	1	1310923752	FITTING:1/4BSPPX1/4JIC MALE	
600	1	1316010001	NOZZLE:40PSI .3GPM 1/8MNPT	
610	1	1316010300	BLOCK:CONDENSATE DRAIN	
620	2	0147124603	SCREW	
630	2	1316020258	LABEL:CPS LOGO 4"	
640	1	1316020259	LABEL:AFTERCOOLER FLOW	
650	1	1316156700	CONDENSATE FLASH BOTTLE	
660	1	1316199200	COND. FLASH BOTTLE BRACKET	
670	1	1615862000	RESTRICTOR:XAS 46-76	
680	1	1619276600	PAINT STRIPPING BOLT(M8x20)	
690	1	1626555280	VALVE-SAFETY:SIZE 2 AFTERCOOLR	
710	2	0583812010	ELBOW:PUSH IN 4M	
730	2	0583812062	ELBOW:PUSH-IN COUPLING	
740	1	1310934400	BLOCK:ALUMINUM GAUGE MOUNT	
750	2	0301231800	PLAIN WASHER	
760	2	0147120403	HEX. HEAD SCREW	
770	2	0070600220	TUBE:4MM	
780	1	1316021688	FILTER MOUNTING KIT	
790	2	1316022910	WASHER-SEAL M 5.8IDX11.3OD	





Id	Qty	Number	Name	Specifications
A10	1	1316020311	Adapter elbow, swivel 90 10m	
A20	1	1316020312	Adapter elbow, 90 10m stor -	
A30	1	1316020313	ADAPTER ELBOW, 90 8M STOR - 1	
A40	1	1316020315	ADAPTER, 8M STOR - 10M JIC	
A50	1	1316020316	ADAPTER, 10M STOR - 10M JIC	
A60	2	1316020317	Wshr, helical lock - 3/8"	
A70	4	1316020318	MWSHR, FLAT - M8	
A80	120	1316020319	Hose, push-on (barb), 5/8 id (	
A90	4	1316020320	HOSE FITTING, STR #10 SOCKETLE	
A100	2	1316020322	MbIt, m8-1.25 x 40, h, s, 8.8,	
A110	2	1316020324	NUT, M8-1.25, HX, ST, G8, ZN	
A120	1	1316020325	Hose fitting, elb #10 socketle	
A130	1	1316020326	NYLON CABLE TIES- 3 EA 102037-	
A140	1	1316020327	"QUICKFIT ON BOARD" STICKER	
A150	1	1316020344	FILTER RING ASSY, JOHN DEERE M	
A160	1	1316020372	TEE, #10 BARBED TEE, SPLICER (	
A170	3	1316020373	HOSE CLAMP, #10, WORM-DRIVE (3	
A180	2	1316020339	MbIt, m8-1.25 x 50, h, s, 10.9	
A190	1	1316020329	BRACKET, 90 FOR 106403 FORGED	
A200	1	1316020330	Bracket, flat for 106403 forge	
A210	1	1316020331	SMALL QF VALVE; FORGED; 1/2" F	
A220	1	1316020346	CHECK VALVE, ELBOW, 90 8M STO	
A230	1	1316020332	Bracket, flat tee for 106403 f	
A240	1	1316020333	BRACKET, 90 TEE FOR 106403 FO	
A250	1	1316020334	BRACKET, EXTRA LONG, 90 "L"	
A260	1	1316020347	ADAPTER, M18X1.5M (ISO 6149-O-	
A270	1	1316020348	ADAPTER ELBOW, 90 M18X1.5M (I	



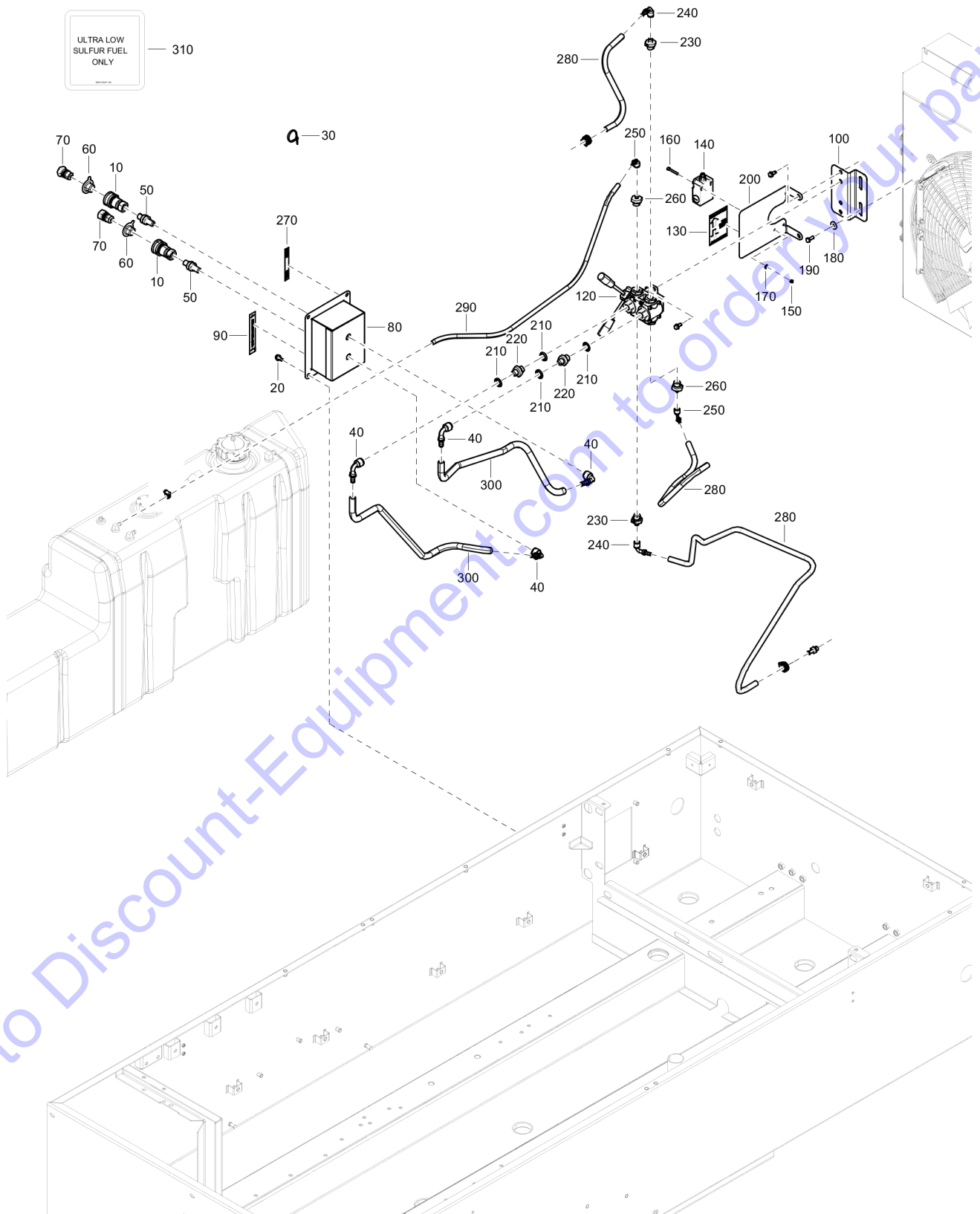
Id	Qty	Number	Name	Specifications
10	1	1310032964	COUPLER-TOWING:ADJUSTABLE	

Go to Discount-Equipment.com to order your parts

<b>Not Illustrated</b>			
Ref	Part Number	Designation	Qty
10	1310796196	Block heater	1

Id	Qty	Number	Name	Specifications
10	1	1310796196	BLOCK HEATER:KOHLER PUMPS	

Go to Discount-Equipment.com to order your parts



Id	Qty	Number	Name	Specifications
10	2	1310036049	1/2 COUPLER:QUICK CONN SERS 60	
20	8	1619276600	PAINT STRIPPING BOLT(M8x20)	
30	4	0348010107	CABLE TY:M140L X 3.6W, BLACK	
40	4	0571002072	ELBOW: 1/2 JICF X 1/2 PUSHLOK	
50	2	1310030507	ADAPTER: -8JIC TO NPT BULKHEAD	
60	2	1310036051	PLUG:DUST, 1/2"	
70	2	1310036710	NIPPLE:QUICK DISCONNECT 1/2"	
80	1	1310266710	PANEL:EXTERNAL FUEL BLACK	
90	1	1310031312	LABEL:EXTERNAL FUEL VALVE	
100	1	1310266600	MOUNT:EXTERNAL FUEL S2LP	
120	1	1604611102	EFT-VALVE	
130	1	1316010092	LABEL: EFT DIRECTION	
140	1	1089030412	SWITCH:FUEL POSITION	
150	2	0266210700	NUT M5 FZB	
160	2	0211121303	SCREW	
170	2	0301232100	PLAIN WASHER	
180	2	0300801900	PLAIN WASHER	
190	2	0147132303	HEX. HEAD SCREW M8 X 20	
200	1	1310266633	GUARD:EXTERNAL FUEL S2LP	
210	4	0661100039	ARRUELA DE VEDACAO 21,54X28,58	
220	2	0570501085	ADAPTER:.5GM X .5JICM	
230	2	3715634400	ADAPTER:1/2GM TO 3/8JICM ORS	
240	2	1310075360	FITTING: 90° 3/8 JICX3/8 BARB	
250	2	1310076310	FITTING:90DEG .25JIC X .25BARB	
260	2	1310030979	ADAPTER:1/2GM X 1/4JICM	
270	1	1310031325	LABEL:FUEL SUPPLY RETURN	
280	3	1310031197	HOSE:.25IDX.09W,RUBBER,POLYME R	
290		1310036364	HOSE: .38ID FUEL LINE	
300	6	1310255932	HOSE:.50"ID X .75"OD	
310	1	8915002180	LABEL:LOW SULFUR FUEL REQUIRED	

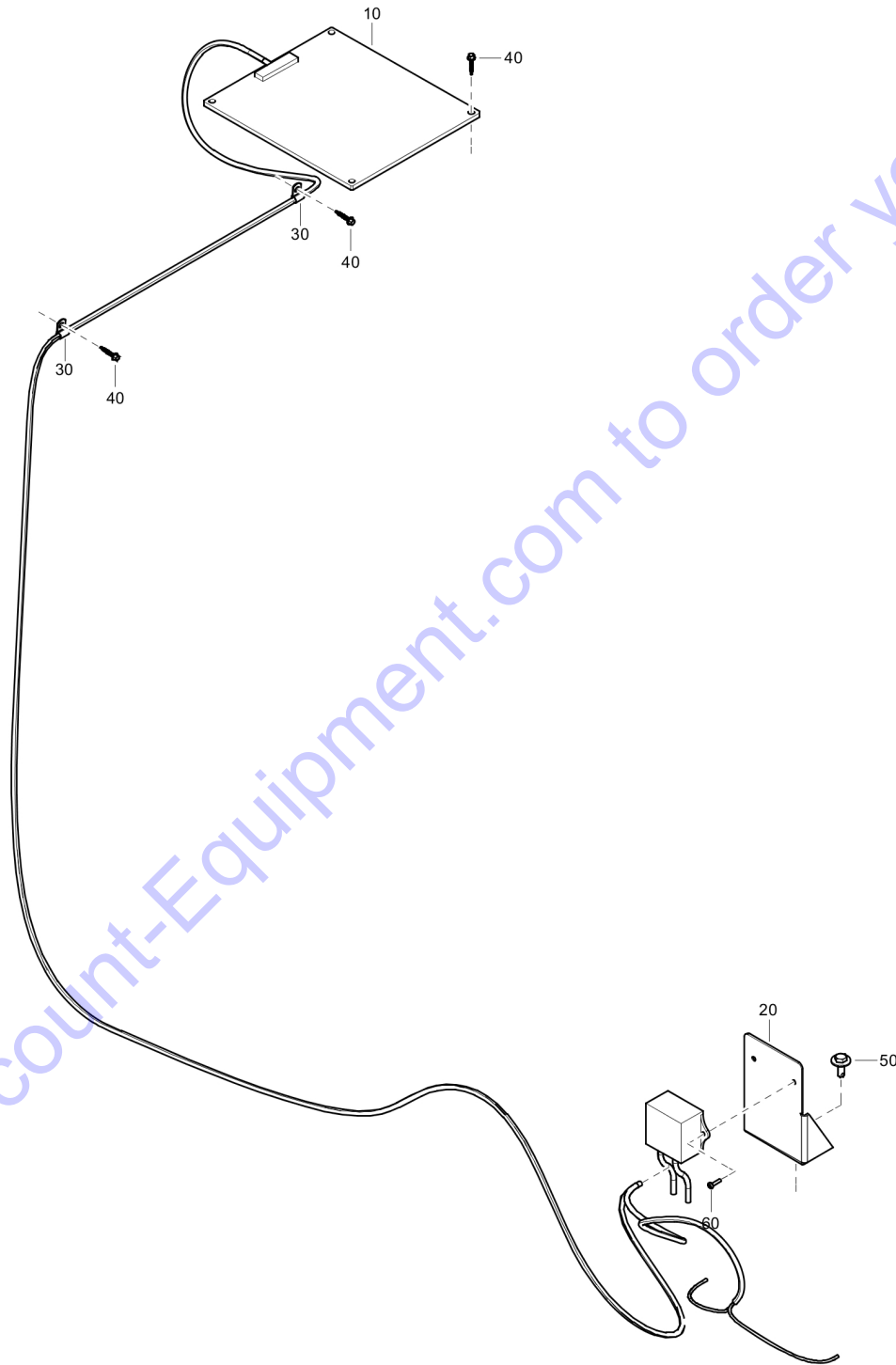




<b>Id</b>	<b>Qty</b>	<b>Number</b>	<b>Name</b>	<b>Specifications</b>
10	1	1316113981	BAFFLE ASSEMBLY SUNBELT	
20	1	1316115980	ROOF ASSEMBLY	
30	1	1316114481	FRONT CANOPY SUNBELT	
60	1	1316115700	CANOPY:REAR PE XAS 440/400	
70	1	1316115600	LOUVER:REAR PE XAS 400/440	
80	1	1316115500	BUMPER:REAR PE XAS 440/400	
90	4	1316010122	WING SCREW:M8 X 35MM \$STL	
100	2	1316114600	PLATE:LATCH BASE XAS400/440 JD	
110	1	1316115200	SUPPORT:BACK BODYWORK TOP	
120	2	1316115300	SUPPORT:BACK BODYWORK SIDES	
130	2	1316116000	REAR CANOPY SUPPORT BRACKET	
140	1	1316139000	SUPPORT:LIFT BAIL-ROOF XAS400	
150	8	1310032778	SUPPORT:BALL STUD,.312-18 THD	
160	2	1310074170	SEAL-DOOR:PE 400 FRONT	
170	2	1310074171	SEAL-DOOR:PE 400 REAR	
180	4	1310074176	STRUT:GAS DOOR LIFT M10 BALL	
190	30	1310074332	FASTENER:PINE-TREE .197DX.70L	
200	4	1310075049	BUMPER:PUSH-IN RUBBER PE400	
210	8	1310075051	RIVET-POP:.187DX1.075L PE400	
220	1	1310080865	KIT-CANOPY:TOP PE 400 SUNB GRN	
A10	1	1310855530	DOOR-RIGHT:PE 400 SUNB GRN	
A20	1	1310855630	DOOR-LEFT:PE 400 SUNB GRN	
230	2	1310118100	HINGE:REAR XAS400 PE	
240	1	1310118200	HINGE:R FRONT XAS400 PE	
250	1	1310118300	HINGE:L FRONT	
260	4	1310118400	PLATE:HINGE	
270	4	1310127900	PLATE:DOOR STRUT PE400	
280	4	1310128000	PLATE:STIRRUP BACKING	
290	6	1310128100	STUD-BALL:BRACKET PE400	
300	2	1310128400	BASE PLATE:XAS400 PE	
310	2	1310128510	BRACKET:FRAME DOOR LOCK 400PE	
320	2	1310888700	BRACKET:DOOR LOCK XAS400PE	
330	4	0147121403	HEX. HEAD SCREW	
340	8	0147124403	HEX. HEAD SCREW M6 X 12	
360	8	0147132303	HEX. HEAD SCREW M8 X 20	
370	4	0147132803	SCREW:M 8X 40;HEX HD,ZN PLT,\$S	
380	13	0147132903	HEX. HEAD SCREW	
390	8	0147133403	SCREW:M8 X 70MM HEXHD \$STL	
400	8	0216132403	HEX SOCK. SCREW	
410	12	0226991527	BOLT-CARRIAGE:M 8 X 70L	
420	4	0291110700	NUT	
430	24	0291111000	LOCK NUT M8 FZB	
440	5	0300027621	WASHER-FLAT:M 8.40/28.0X3.0T	
450	18	0300801900	PLAIN WASHER	
470	36	0301233500	ARRUELA LISA 8,4X16X1,6	
480	4	1615860500	STIRRUP:	

<b>Id</b>	<b>Qty</b>	<b>Number</b>	<b>Name</b>	<b>Specifications</b>
490	4	1626617100	CATCH-DOOR:RUBBER	
500	37	1615566400	HEX. HEAD SCREW	
510	2	1619266500	SEAL-BODYWORK:ZT/ZR 45-55	
520	4	1619276600	PAINT STRIPPING BOLT(M8x20)	
530	2	0147133803	SCREW:M 8X 90;HEX HD,ZN PLT,\$S	
540	8	0301232100	PLAIN WASHER	

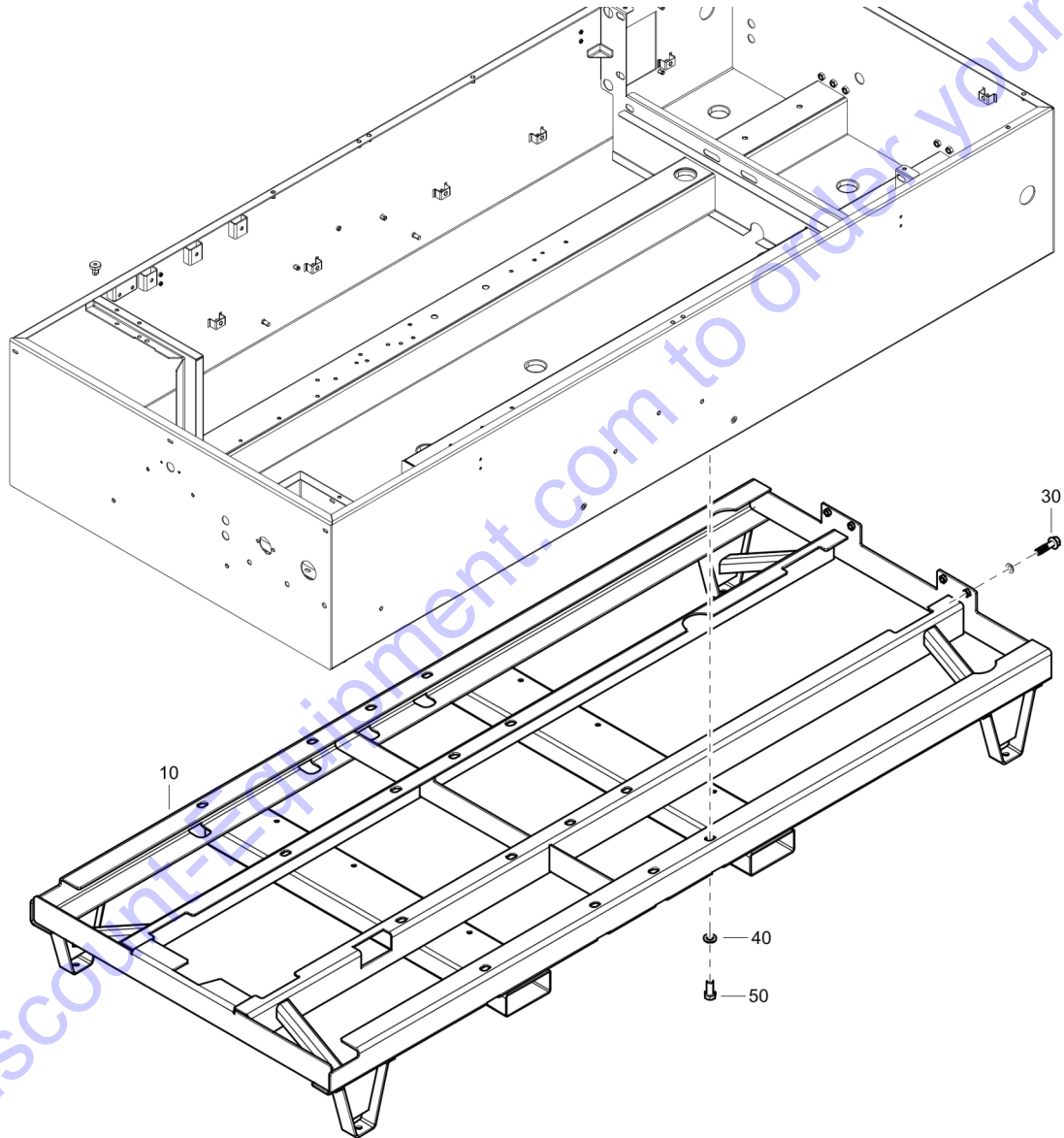
Go to Discount-Equipment.com to order your parts



Go to Discount-Equipment.com to order your parts

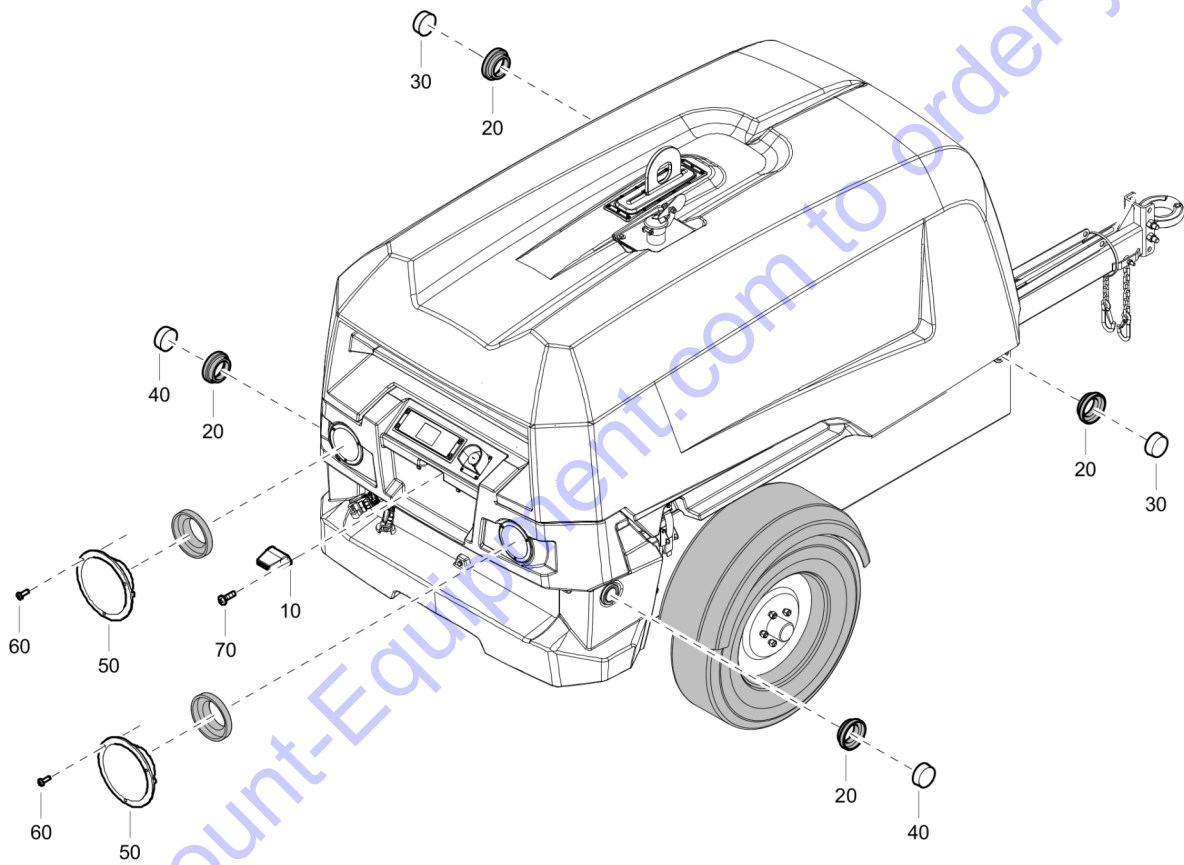
<b>Id</b>	<b>Qty</b>	<b>Number</b>	<b>Name</b>	<b>Specifications</b>
10	1	1310076559	PANEL:SOLAR CHARGER, 7W	
20	1	1316215100	BRACKET:SOLAR CHARGER	
30	2	1310034983	CLAMP:XAS 96JDU DOOR STAY	
40	6	1316010079	SCREW:DRILL,#8-18 X 1" HEX FZB	
50	2	1615566400	HEX. HEAD SCREW	
60	2	0160099611	CROSS REC SCREW	

Go to Discount-Equipment.com to order your parts



Id	Qty	Number	Name	Specifications
10	1	1316157000	SKID:OPTION SIZE 1	
30	4	1316010183	SCREW: .500-13X2.00L HXFLHD	
40	16	0301237800	PLAIN WASHER	
50	16	0147147603	HEXAGON HEAD BOLT	

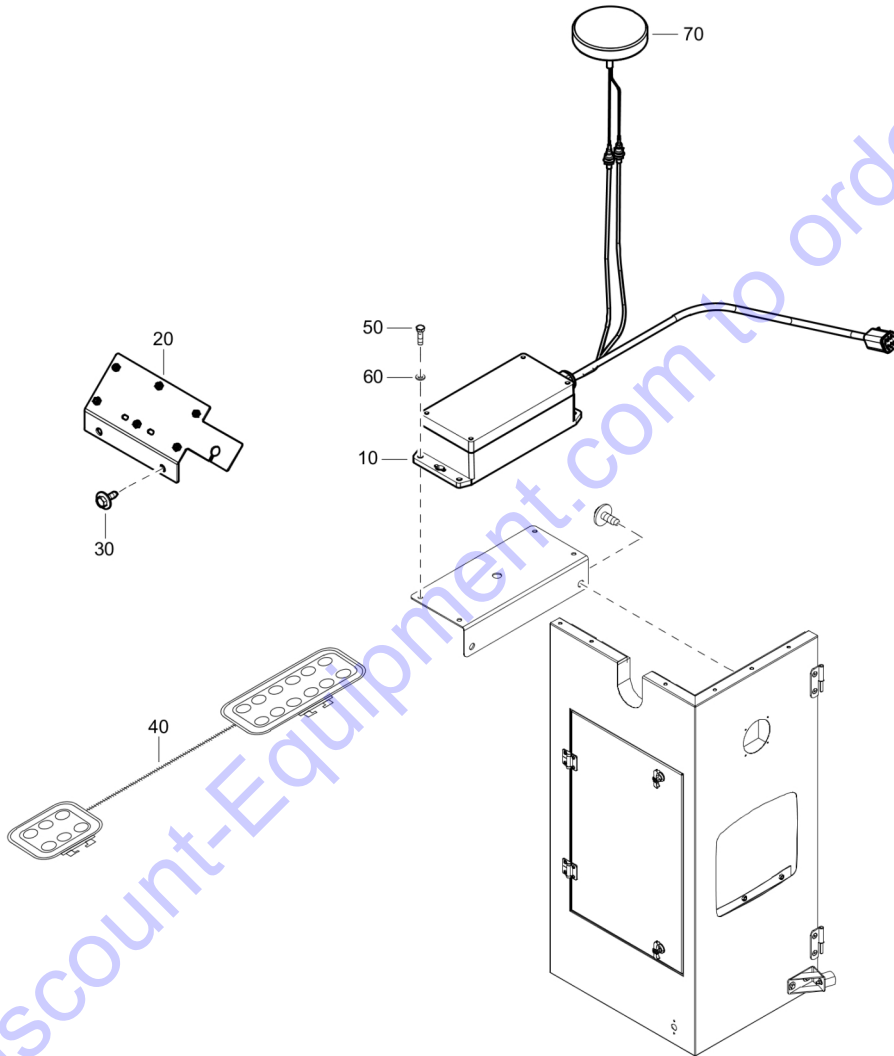
Go to Discount-Equipment.com to order your parts





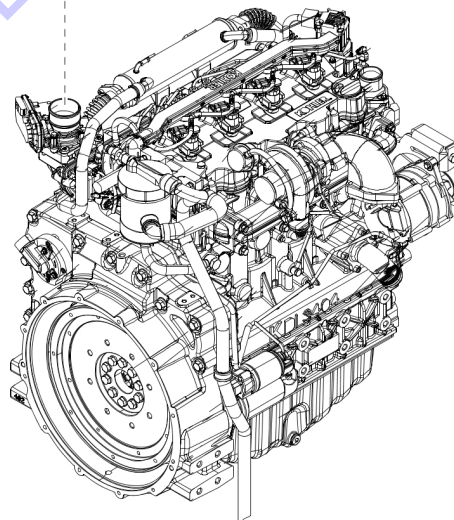
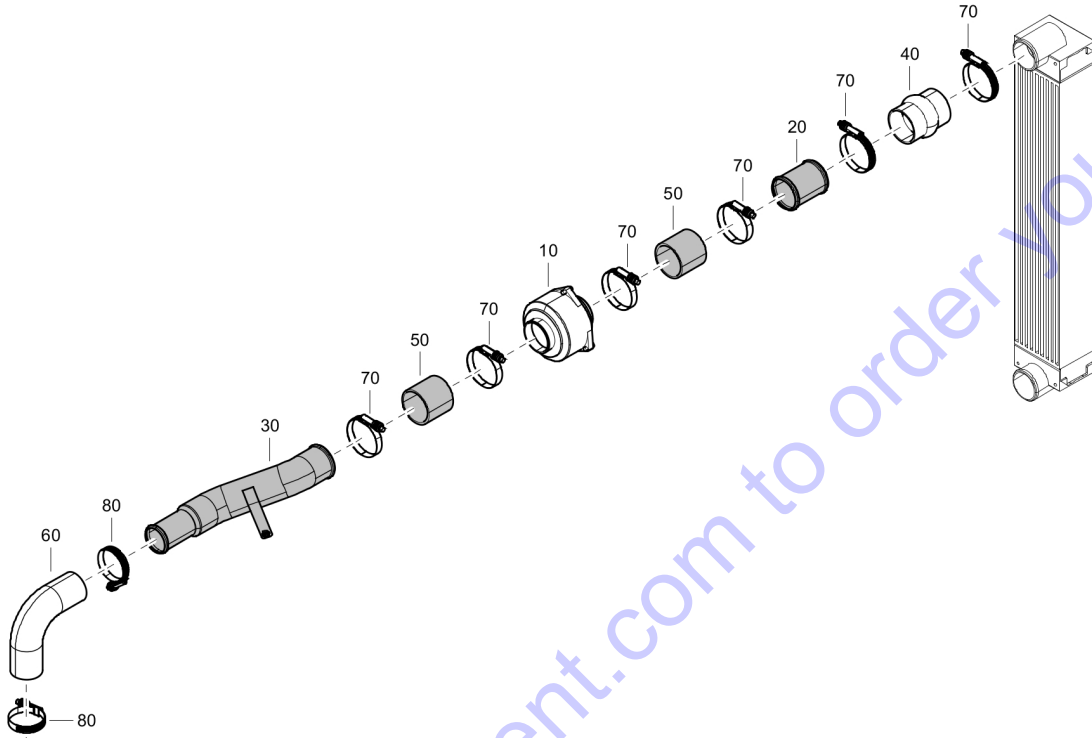
<b>Id</b>	<b>Qty</b>	<b>Number</b>	<b>Name</b>	<b>Specifications</b>
10	1	1310036971	LAMP:LICENSE PLATE	
20	4	1310415500	GROMMET:2" SIDE MARKER LIGHTS	
30	2	1310414300	REFLECTOR	
40	2	1310414200	REFLECTOR	
50	2	1310416600	LAMP:STOP-TURN TAIL,4+ W/RING,	
60	6	1310075725	SCREW:DRILL, M4.2X16MM CRSSPAN	
70	2	0160099611	CROSS REC SCREW	

Go to Discount-Equipment.com to order your parts



<b>Id</b>	<b>Qty</b>	<b>Number</b>	<b>Name</b>	<b>Specifications</b>
10	1	1638886200	FLEETLINK 4G MODULE + ANTENA	
20	1	1316175100	TELEMATICS MOUNTING PLATE	
30	2	1615566400	HEX. HEAD SCREW	
40	1	1310219401	WIRE HARNESS:FLEETLINK JUMPER	
50	4	0147120703	SCREW:M 5X 16;HEX HD,ZN PLT,\$S	
60	4	0301231800	PLAIN WASHER	
70	1	1089959309	ANTENNA:FLEETLINK SMARTBOX	

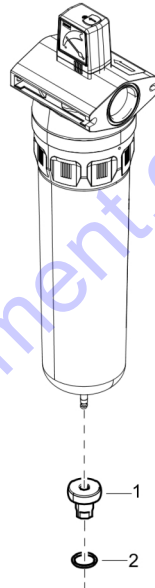
Go to Discount-Equipment.com to order your parts



Go to Discount-Equipment.com to order your parts

<b>Id</b>	<b>Qty</b>	<b>Number</b>	<b>Name</b>	<b>Specifications</b>
10	1	1310600132	VALVE:INLET SHUTDOWN 3"	
20	1	1316202500	PIPE:CAC AIS 3"X4" STRAIGHT	
30	1	1316202510	Pipe	
40	1	1310072311	CONNECTOR:CAC 3.00 HUMP	
50	2	1310600137	HOSE:3"OD X 3"L, CAC SILICONE	
60	1	1310075382	ELBOW:CAC 2.5 ID	
70	6	1310075626	CLAMP-HOSE:M71/95D CONST- TORQ	
80	2	1310075624	CLAMP-HOSE:M59/83D CONST- TORQ	

Go to Discount-Equipment.com to order your parts



<b>Id</b>	<b>Qty</b>	<b>Number</b>	<b>Name</b>	<b>Specifications</b>
1	1	1310963801	Drain port	
2	1	1310963850	O-ring	

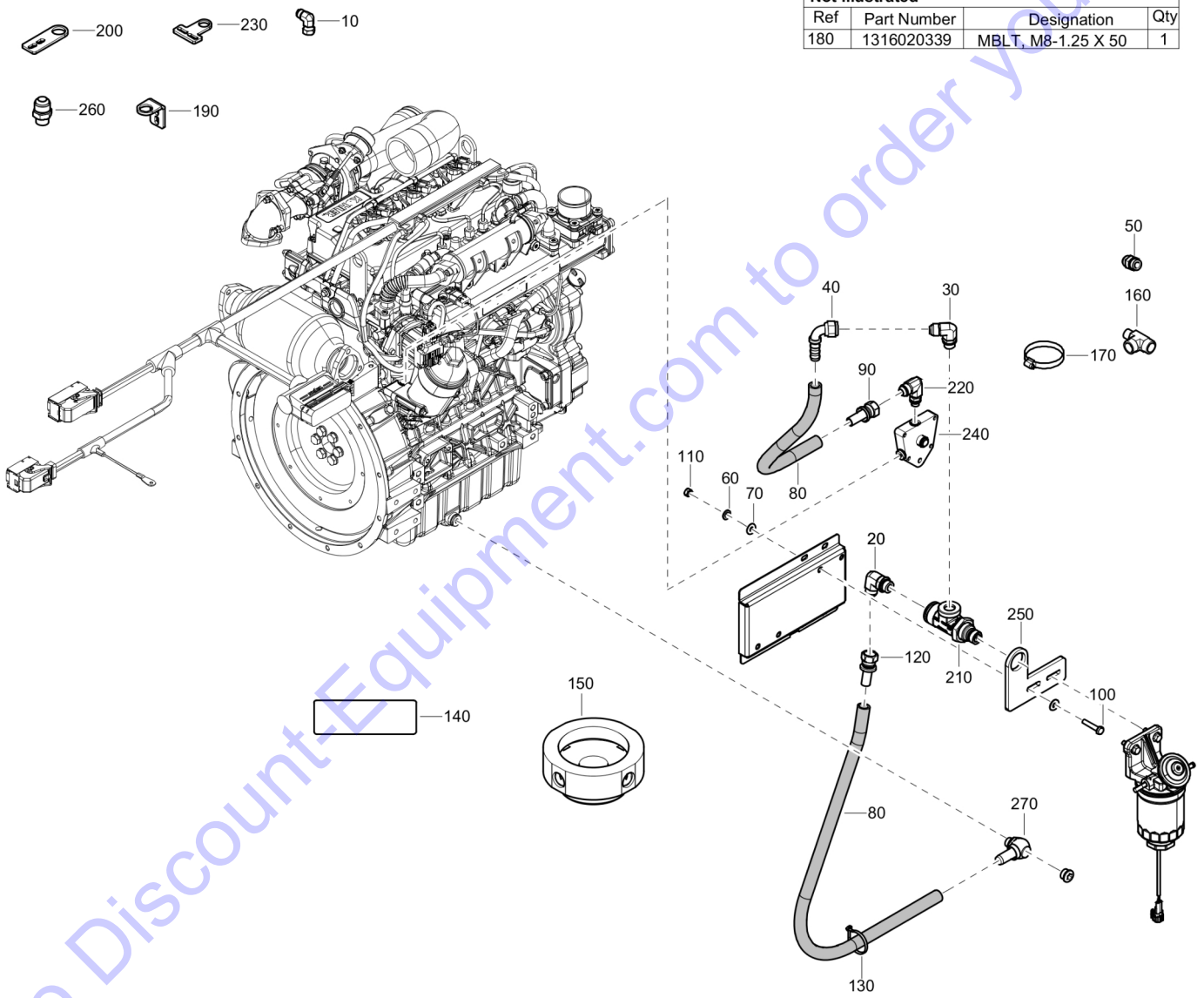
Go to Discount-Equipment.com to order your parts

<b>Not Illustrated</b>			
Ref	Part Number	Designation	Qty
6	1310030059	VALVE-FLOW	1



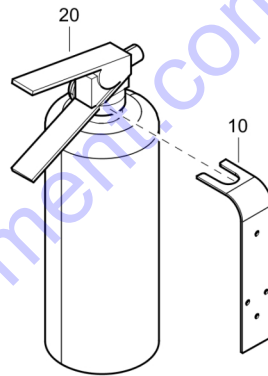
Id	Qty	Number	Name	Specifications
6	2	1310030059	VALVE-FLOW CNT: .75MPT/ .75FPT	

Go to Discount-Equipment.com to order your parts



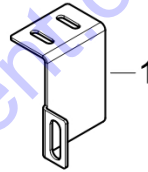
Go to Discount-Equipment.com to order your parts

<b>Id</b>	<b>Qty</b>	<b>Number</b>	<b>Name</b>	<b>Specifications</b>
10	1	1316020311	Adapter elbow, swivel 90 10m	
20	1	1316020312	Adapter elbow, 90 10m stor -	
30	1	1316020313	ADAPTER ELBOW, 90 8M STOR - 1	
40	1	1316020315	ADAPTER, 8M STOR - 10M JIC	
50	1	1316020316	ADAPTER, 10M STOR - 10M JIC	
60	2	1316020317	Wshr, helical lock - 3/8"	
70	4	1316020318	MWSHR, FLAT - M8	
80	120	1316020319	Hose, push-on (barb), 5/8 id (	
90	4	1316020320	HOSE FITTING, STR #10 SOCKETLE	
100	2	1316020322	MbIt, m8-1.25 x 40, h, s, 8.8,	
110	2	1316020324	NUT, M8-1.25, HX, ST, G8, ZN	
120	1	1316020325	Hose fitting, elb #10 socketle	
130	1	1316020326	NYLON CABLE TIES- 3 EA 102037-	
140	1	1316020327	"QUICKFIT ON BOARD" STICKER	
150	1	1316020344	FILTER RING ASSY, JOHN DEERE M	
160	1	1316020372	TEE, #10 BARBED TEE, SPLICER (	
170	3	1316020373	HOSE CLAMP, #10, WORM-DRIVE (3	
180	2	1316020339	MbIt, m8-1.25 x 50, h, s, 10.9	
190	1	1316020329	BRACKET, 90 FOR 106403 FORGED	
200	1	1316020330	Bracket, flat for 106403 forge	
210	1	1316020331	SMALL QF VALVE; FORGED; 1/2" F	
220	1	1316020346	CHECK VALVE, ELBOW, 90 8M STO	
230	1	1316020332	Bracket, flat tee for 106403 f	
240	1	1316020333	BRACKET, 90 TEE FOR 106403 FO	
250	1	1316020334	BRACKET, EXTRA LONG, 90 "L"	
260	1	1316020347	ADAPTER, M18X1.5M (ISO 6149-O-	
270	1	1316020348	ADAPTER ELBOW, 90 M18X1.5M (I	



<b>Id</b>	<b>Qty</b>	<b>Number</b>	<b>Name</b>	<b>Specifications</b>
10	1	1316162110	BRACKET:MNT FOR FIRE EXT 2.5AB	
20	1	1316162105	FIRE EXTINGUISHER:2.5LB ABC VM	

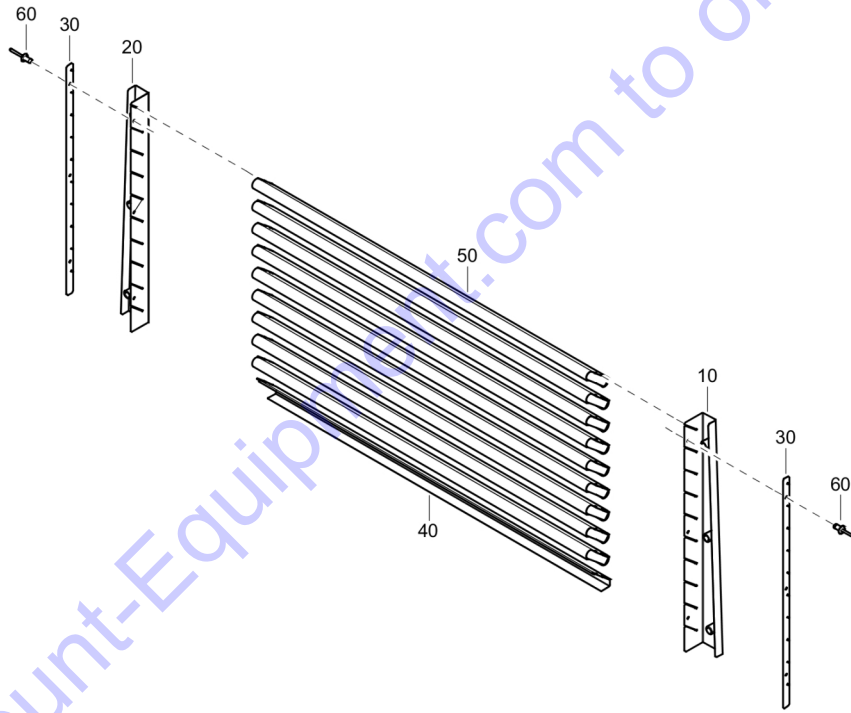
Go to Discount-Equipment.com to order your parts



Go to Discount-Equipment.com to order your parts

<b>Id</b>	<b>Qty</b>	<b>Number</b>	<b>Name</b>	<b>Specifications</b>
1	2	1316283100	BRACKET:LOWER DOOR LATCH	

Go to Discount-Equipment.com to order your parts

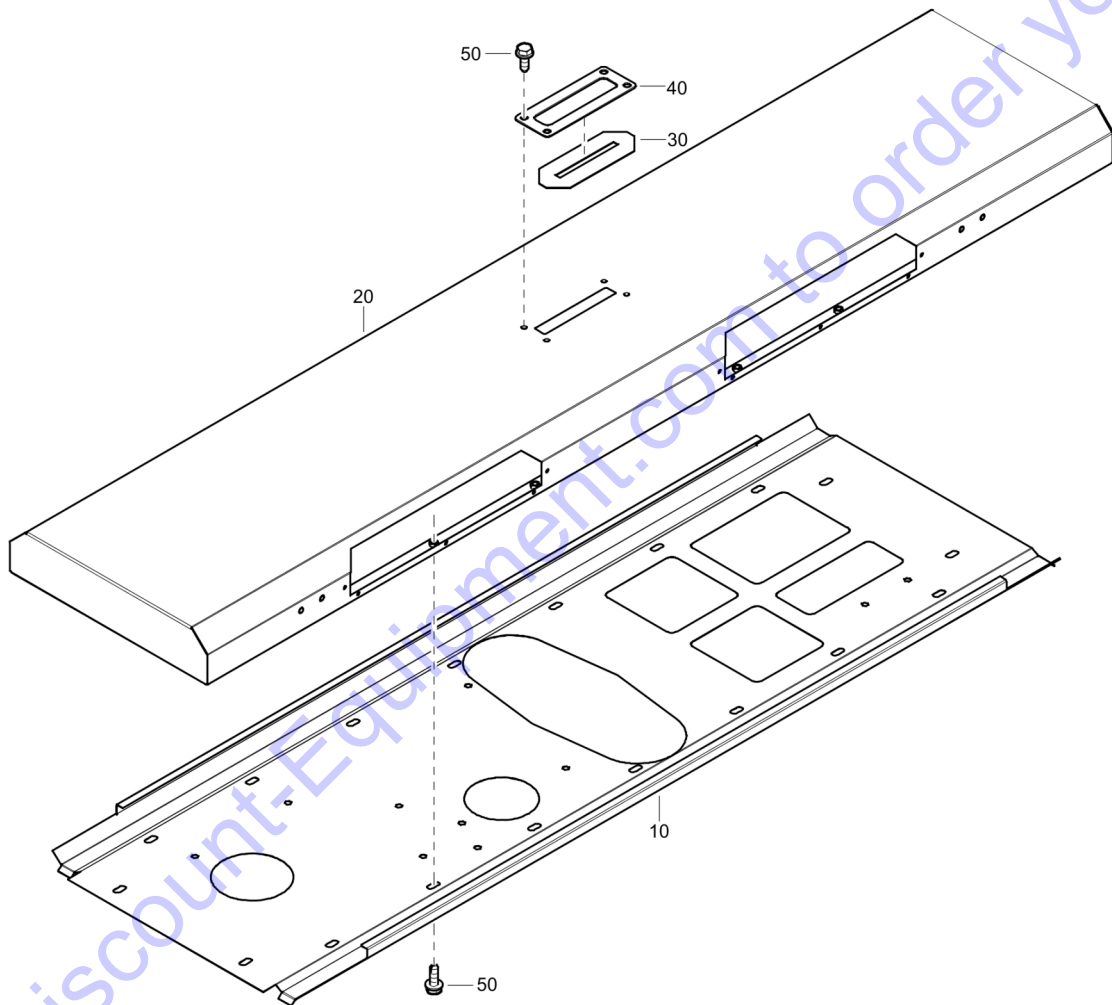


Go to Discount-Equipment.com to order your parts



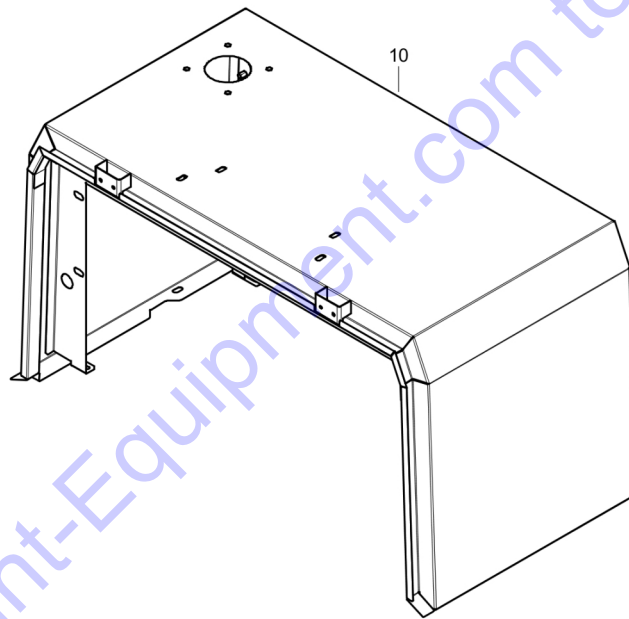
<b>Id</b>	<b>Qty</b>	<b>Number</b>	<b>Name</b>	<b>Specifications</b>
10	1	1316113990	Plate: baffle side sunbelt	
20	1	1316114090	Plate: baffle side sunbelt	
30	2	1316114190	Plate: baffle side retainer	
40	1	1316114290	Plate: baffle base sunbelt	
50	9	1316114390	Baffle sunbelt	
60	6	0129312100	BLIND RIVET	

Go to [Discount-Equipment.com](http://Discount-Equipment.com) to order your parts



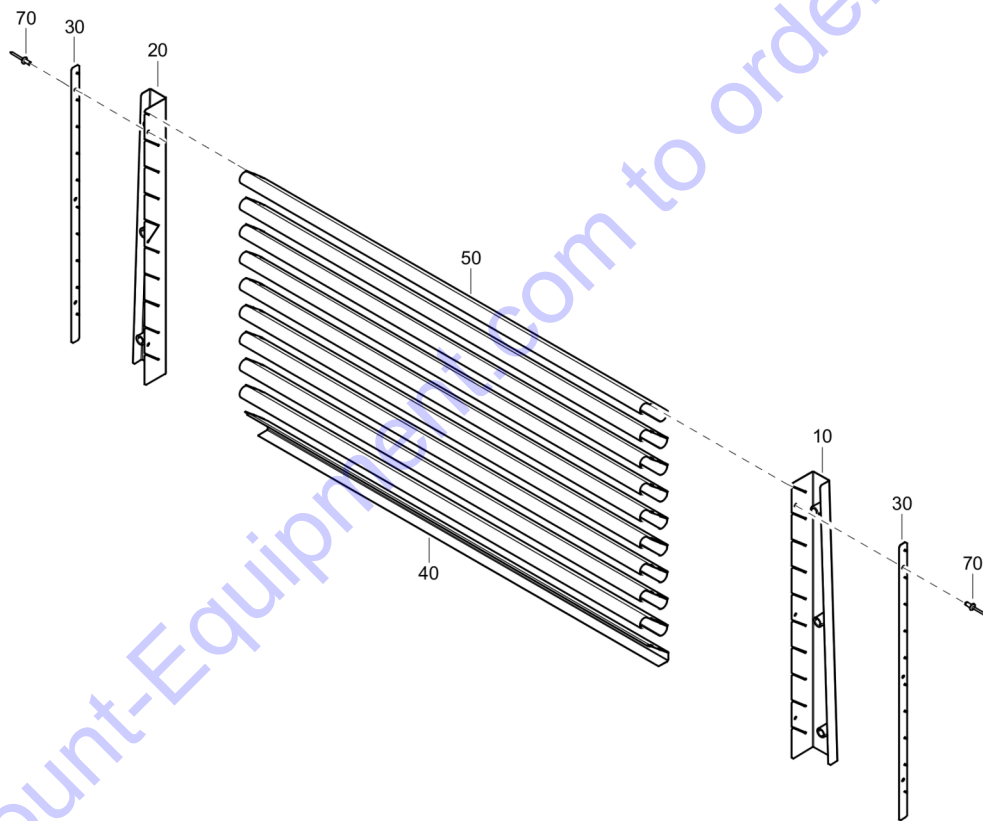
<b>Id</b>	<b>Qty</b>	<b>Number</b>	<b>Name</b>	<b>Specifications</b>
10	1	1316115950	Roof: lower	
20	1	1316115960	Roof: upper assembly	
30	1	1310074977	GASKET:LIFTING BALE XAS400	
40	1	1310074816	PLATE:LIFTIN	
50	20	1619276600	PAINT STRIPPING BOLT(M8x20)	

Go to Discount-Equipment.com to order your parts



<b>Id</b>	<b>Qty</b>	<b>Number</b>	<b>Name</b>	<b>Specifications</b>
10	1	1316114490	Front canopy: sunbelt	

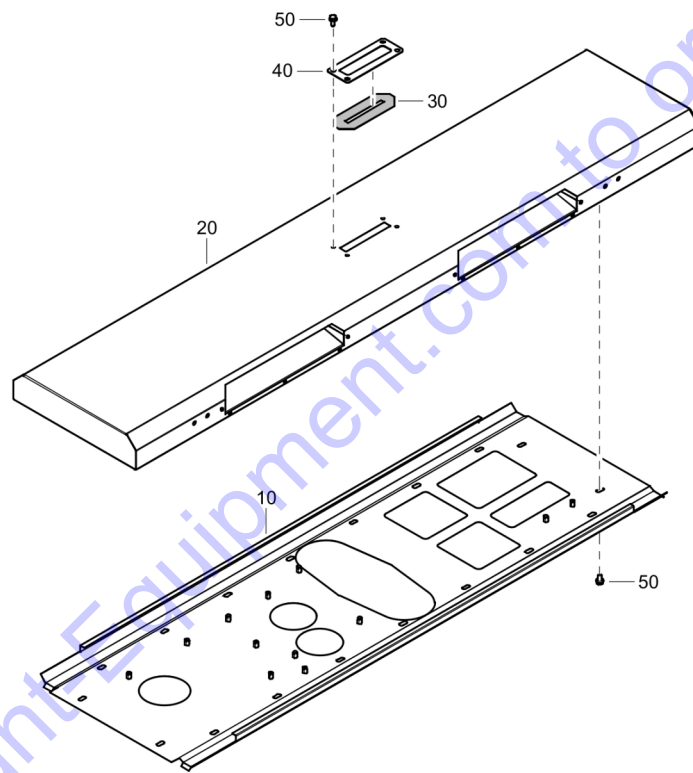
Go to Discount-Equipment.com to order your parts



Go to Discount-Equipment.com to order your parts

<b>Id</b>	<b>Qty</b>	<b>Number</b>	<b>Name</b>	<b>Specifications</b>
10	1	1316176000	PLATE:BAFFLE SIDE RED	
20	1	1316176005	PLATE:BAFFLE SIDE RED	
30	2	1316176010	PLATE:BAFFLE SIDE RETAINER RED	
40	1	1316176015	PLATE:BAFFLE BASE	
50	9	1316176020	PLATE:BAFFLE LOUVER RED	
70	6	0129312100	BLIND RIVET	

Go to Discount-Equipment.com to order your parts

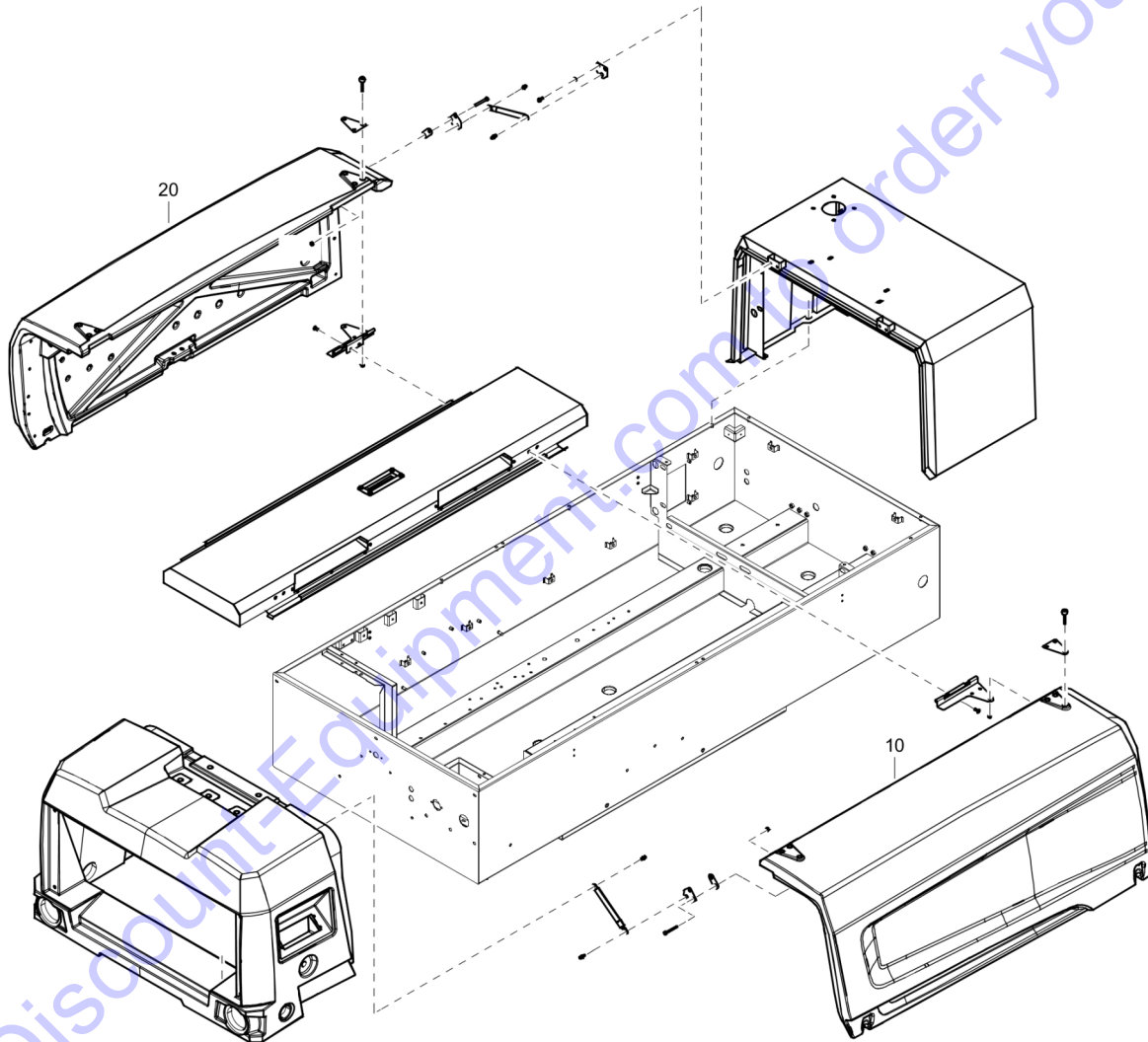


Go to DiscountEquipment.com to order your parts



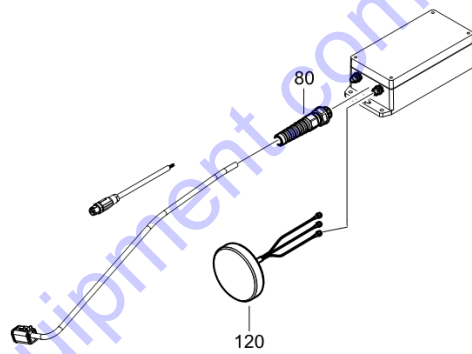
<b>Id</b>	<b>Qty</b>	<b>Number</b>	<b>Name</b>	<b>Specifications</b>
10	1	1316176160	ROOF:LOWER BLACK CPS400 KDI	
20	1	1316176150	ROOF:UPPER ASSEMBLY BLACK	
30	1	1310074977	GASKET:LIFTING BALE XAS400	
40	1	1316176110	PLATE:SPINE LIFTING BALE SLOT	
50	20	1619276600	PAINT STRIPPING BOLT(M8x20)	

Go to Discount-Equipment.com to order your parts



<b>Id</b>	<b>Qty</b>	<b>Number</b>	<b>Name</b>	<b>Specifications</b>
10	1	1316176510	Door:right	
20	1	1316176520	Door:left	

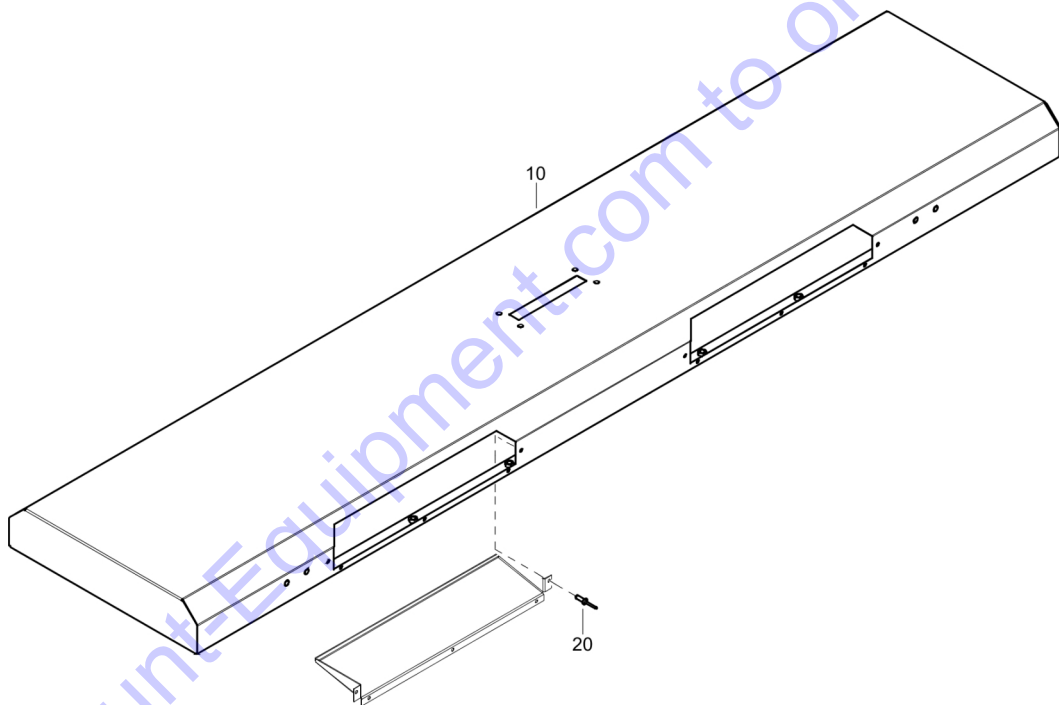
Go to Discount-Equipment.com to order your parts



Go to Discount-Equipment.com to order your parts

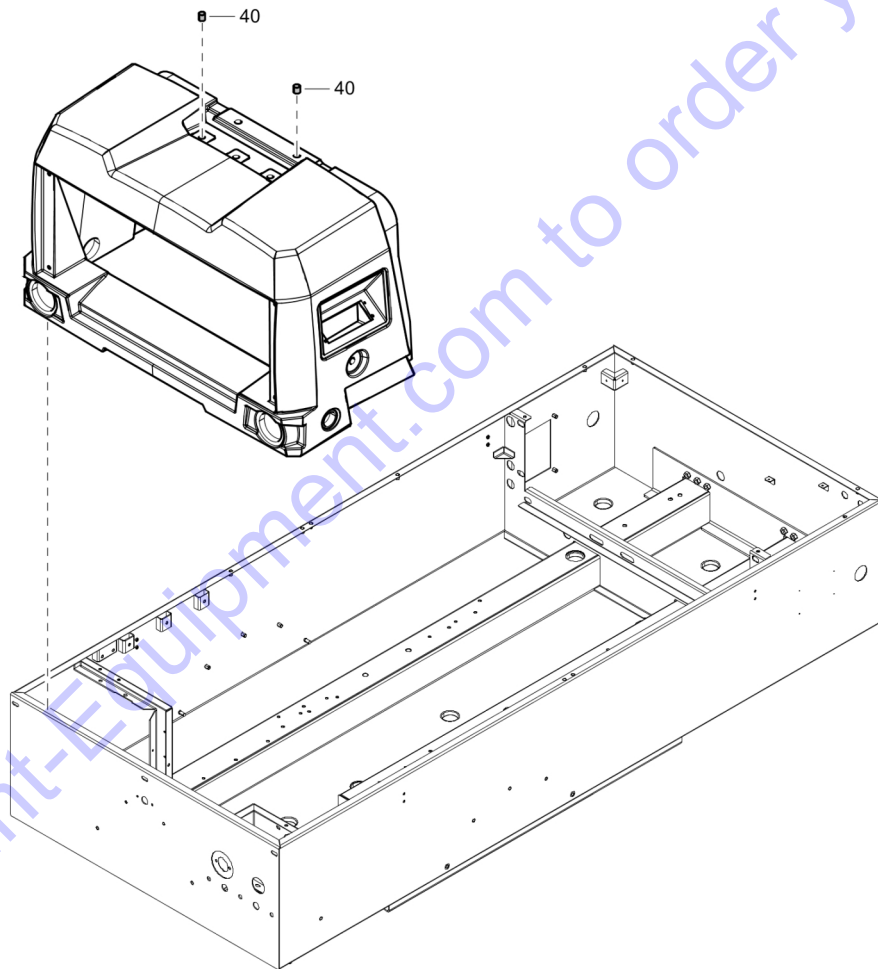
<b>Id</b>	<b>Qty</b>	<b>Number</b>	<b>Name</b>	<b>Specifications</b>
14	1	1638911500	ANTENNA	

Go to Discount-Equipment.com to order your parts



<b>Id</b>	<b>Qty</b>	<b>Number</b>	<b>Name</b>	<b>Specifications</b>
10	1	1316115900	Roof: upper	
20	20	1310032787	RIVET-POP: .187DX.375L(.126/.25	

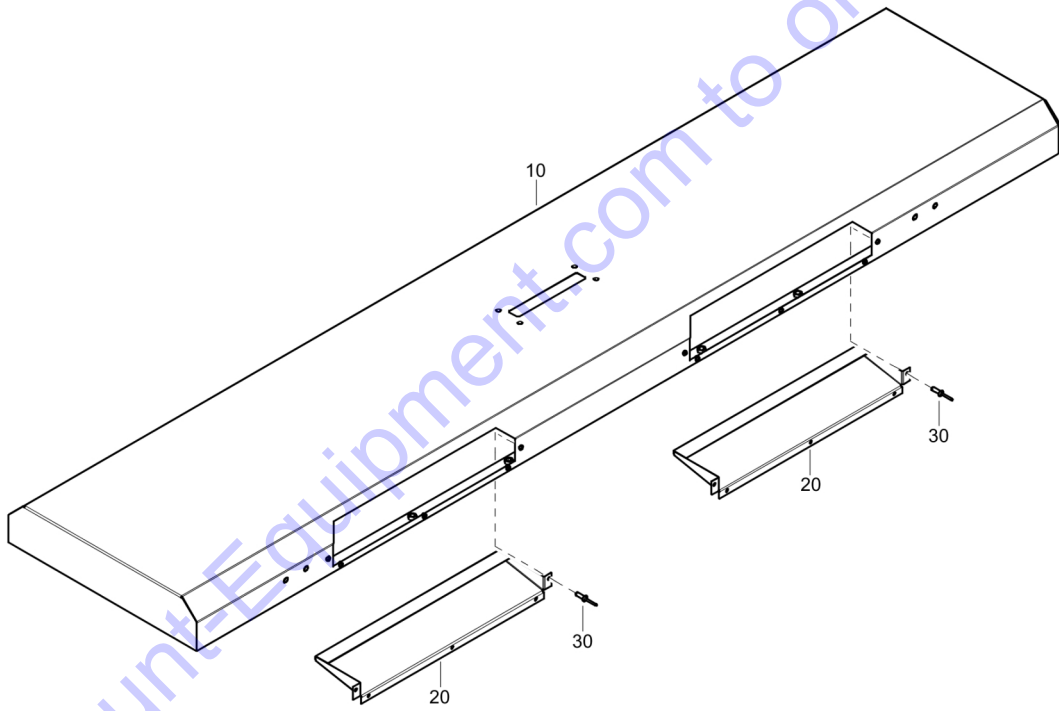
Go to Discount-Equipment.com to order your parts





<b>Id</b>	<b>Qty</b>	<b>Number</b>	<b>Name</b>	<b>Specifications</b>
40	5	1316115800	Spacer	

Go to Discount-Equipment.com to order your parts



Go to DiscountEquipment.com to order your parts

<b>Id</b>	<b>Qty</b>	<b>Number</b>	<b>Name</b>	<b>Specifications</b>
10	1	1316176100	ROOF:UPPER BLACK CPS 400 KDI	
20	4	1316176105	ROOF:RAIN GUARD BLACK	
30	20	1310032787	RIVET-POP:..187DX.375L(.126/.25	

Go to Discount-Equipment.com to order your parts

Part no	Part no	Part no	Part no	Part no	Part no
	8972422836		8972422836		8972422836
	8972422836		8972422836		8972422836
	8972422836		8972422836		8972422836
	8972422836		8972422836		8972422836
	8972422836		8972422836		8972422836
	8972422836	0070600204	1317000297	0070600205	1317000297
0070600205	1317000156	0070600205	1317000156	0070600205	1317000297
0070600205	1317000182	0070600205	1317000297	0070600206	1317000297
0070600220	1317000182	0070600220	1317000156	0075402569	1317000261
0075402569	1317000182	0075402569	1317000156	0075402569	1317000261
0075402569	1317000261	0075402569	1317000261	0075402569	1317000261
0075402569	1317000261	0075402569	1317000274	0075402569	1317000261
0075402569	1317000274	0075402569	1317000260	0101195140	1317000270
0129310300	1317000295	0129312100	1316176080	0129312100	1316113981
0144324803	1317000315	0144324803	1317000261	0147111057	1317000297
0147111057	1317000270	0147120403	1317000156	0147120403	1317000182
0147120703	1317000291	0147120903	1317000315	0147121403	1317000262
0147121403	1317000322	0147124403	1317000262	0147124403	1317000322
0147124603	1317000156	0147124603	1317000187	0147124603	1317000182
0147124603	1317000313	0147124703	1317000261	0147124703	1317000315
0147124703	1317000298	0147124903	1317000298	0147125003	1317000298
0147132103	1317000182	0147132103	1317000274	0147132103	1317000156
0147132203	1317000274	0147132203	1317000315	0147132303	1317000035
0147132303	1317000262	0147132303	1317000322	0147132303	1317000481
0147132503	1317000313	0147132503	1317000269	0147132503	1317000040
0147132603	1317000271	0147132603	1317000273	0147132803	1317000262
0147132803	1317000322	0147132803	1317000273	0147132803	1317000297
0147132903	1317000262	0147132903	1317000322	0147133103	1317000261
0147133403	1317000262	0147133403	1317000322	0147133603	1317000182
0147133603	1317000156	0147133803	1317000297	0147133803	1317000322
0147133803	1317000262	0147136203	1317000035	0147136303	1317000313
0147136303	1317000035	0147136403	1317000270	0147136503	1317000270
0147139803	1317000273	0147140003	1317000261	0147140003	1317000269
0147140103	1317000261	0147140103	1317000269	0147140203	1317000035
0147140303	1317000270	0147140403	1317000261	0147147403	1317000313
0147147603	1317000269	0147147603	1317000183	0147147603	1317000315
0147196276	1317000156	0147196276	1317000182	0160099611	1317000040
0160099611	1317000482	0160099611	1317000553	0160099697	1317000296
0211121303	1317000481	0211132503	1317000274	0211140800	1317000270
0211196407	1317000270	0211196417	1317000270	0211196482	1317000270
0211585513	1317000270	0215000373	1317000313	0216132403	1317000262
0216132403	1317000322	0226991527	1317000322	0226991527	1317000262
0263321500	1317000190	0266210700	1317000481	0266210800	1317000187
0266211000	1317000182	0266211000	1317000274	0266211000	1317000156
0266211000	1317000298	0268320500	1317000035	0291110700	1317000315
0291110700	1317000262	0291110700	1317000322	0291111000	1317000262
0291111000	1316020147	0291111000	1317000322	0291111000	1317000273
0292130500	1317000261	0292130500	1317000156	0292130500	1317000315
0292130500	1317000182	0300027621	1317000322	0300027621	1317000262
0300027623	1317000035	0300027666	1317000156	0300027666	1317000273
0300027666	1317000182	0300027666	1317000298	0300801900	1317000481
0300801900	1317000035	0300801900	1317000274	0300801900	1317000262
0300801900	1317000322	0301231800	1317000291	0301231800	1317000182
0301231800	1317000156	0301231800	1317000315	0301232100	1317000313
0301232100	1317000298	0301232100	1317000182	0301232100	1317000262
0301232100	1317000322	0301232100	1317000156	0301232100	1317000261
0301232100	1317000481	0301232100	1317000315	0301232700	1317000156
0301232700	1317000182	0301233500	1317000322	0301233500	1317000040
0301233500	1317000297	0301233500	1316020147	0301233500	1317000269
0301233500	1317000261	0301233500	1317000313	0301233500	1317000182
0301233500	1317000262	0301233500	1317000273	0301233500	1317000315
0301233500	1317000271	0301233500	1317000035	0301233500	1317000274

Part no	Part no	Part no	Part no	Part no	Part no
0301233500	1317000156	0301234400	1317000273	0301234400	1317000035
0301234400	1317000297	0301234400	1317000313	0301234400	1317000270
0301235800	1317000270	0301235800	1317000269	0301235800	1317000261
0301237800	1317000315	0301237800	1317000183	0301237800	1317000313
0333212100	1317000187	0333217422	1317000035	0333222500	1317000035
0333223000	1317000035	0333223600	1317000035	0335216900	1317000270
0337715200	1317000270	0337719800	1317000270	0347610019	1317000274
0347610019	1317000271	0347610021	1317000271	0347610400	1317000273
0347610900	1317000274	0347611900	1317000271	0347612100	1317000271
0348010107	1317000481	0348010107	1317000274	0348010212	1317000156
0348010212	1317000193	0348010212	1317000191	0348010212	1317000190
0348010212	1317000040	0348010212	1317000298	0348010212	1317000274
0348010212	1317000192	0348010212	1317000261	0348010212	1317000182
0348010212	1317000273	0502109021	1317000270	0504020013	Compressorparts
0504020013	1317000270	0570501085	1317000481	0571002072	1317000481
0571003541	1317000182	0571003541	1317000156	0581000033	1317000297
0581000035	1317000297	0581000035	1317000156	0581000035	1317000182
0581000038	1317000297	0581000047	1317000297	0581000052	1317000297
0581120023	1317000182	0581120023	1317000156	0581120029	1317000297
0583812010	1317000156	0583812010	1317000182	0583812062	1317000156
0583812062	1317000182	0603420203	1317000297	0605881600	1317000298
0653106200	1317000156	0653106200	1317000182	0653111500	1317000270
0653116500	1317000050	0653116500	1317000182	0653116500	1317000156
0653118900	1317000156	0653118900	1317000182	0661100029	1317000313
0661100038	1317000156	0661100038	1317000182	0661100039	1317000481
0661101400	1317000297	0661104900	1317000297	0663210322	1317000270
0663210616	1317000270	0663210784	1317000270	0663210949	1316205605
0663210949	1316020146	0663311700	1317000270	0663312900	1317000035
0663611100	1316020147	0663711500	1316020147	0663712700	1317000313
0663713200	1317000313	0663713400	1317000035	0663713400	1317000313
0663713500	1317000035	0663713800	1317000270	0663714100	1317000270
0663715000	1317000297	0686371601	1317000182	0686371601	1317000156
0686420103	1317000297	0686423018	1317000270	0803501210	1317000156
0803501210	1317000182	0823005009	Compressorparts	1079990361	1317000295
1088001902	1317000035	1088001902	1317000298	1088130105	1317000040
1089030412	1317000481	1089057470	Compressorparts	1089057470	1317000298
1089942910	1317000298	1089943003	1317000298	1089951504	Compressorparts
1089951504	1317000297	1089959309	1317000291	1092100590	1316205605
1092100690	1316205605	1202867300	1317000187	1310030011	1317000315
1310030059	1310050121	1310030081	1317000297	1310030103	1317000274
1310030396	1317000315	1310030463	1317000297	1310030507	1317000481
1310030585	1310312501	1310030978	1317000192	1310030978	1317000191
1310030978	1317000190	1310030978	1317000193	1310030979	1317000481
1310031166	1317000298	1310031197	1317000481	1310031197	1317000273
1310031197	1317000274	1310031266	1317000040	1310031312	1317000481
1310031325	1317000481	1310031452	1317000315	1310032151	1317000182
1310032151	1317000156	1310032384	1317000273	1310032384	1317000261
1310032384	1317000260	1310032384	1317000274	1310032580	1317000035
1310032778	1317000262	1310032778	1317000322	1310032787	1316115960
1310032787	1316176150	1310032787	1317000187	1310032964	1310312358
1310033046	1317000315	1310033194	1317000315	1310034149	1317000193
1310034149	1317000191	1310034208	1317000315	1310034211	1310312359
1310034289	1317000298	1310034441	1317000190	1310034441	1317000192
1310034579	1317000297	1310034983	1317000553	1310035202	1317000156
1310035202	1317000182	1310035372	1317000295	1310035525	1317000274
1310035556	1317000274	1310035561	1317000261	1310035574	1317000298
1310035574	1317000040	1310035608	1317000182	1310035608	1317000156
1310036049	1317000481	1310036051	1317000481	1310036364	1317000273
1310036364	1317000481	1310036364	1317000273	1310036557	1317000274
1310036557	1317000298	1310036557	1317000315	1310036710	1317000481
1310036971	1317000482	1310036971	1317000040	1310050304	1317000182
1310050304	1317000156	1310050554	1317000261	1310070102	1317000295

Part no	Part no	Part no	Part no	Part no	Part no
1310070141	1317000295	1310070617	1317000273	1310070800	1317000295
1310072216	1310312005	1310072256	1317000297	1310072311	1317000258
1310072311	1317000274	1310072311	1317000480	1310072342	1317000261
1310072345	1317000261	1310072437	1317000271	1310072869	1317000261
1310072952	1317000182	1310072952	1317000156	1310073196	1317000274
1310073201	1317000261	1310073837	1317000193	1310073837	1317000156
1310073837	1317000190	1310073837	1317000182	1310073837	1317000192
1310073837	1317000191	1310074084	1317000156	1310074084	1317000297
1310074084	1317000182	1310074140	1317000296	1310074142	1317000296
1310074170	1317000322	1310074171	1317000322	1310074176	1317000322
1310074176	1317000262	1310074332	1317000322	1310074428	1317000298
1310074470	1317000190	1310074470	1317000191	1310074470	1317000192
1310074470	1317000193	1310074637	1317000274	1310074645	Engineparts
1310074645	1317000273	1310074816	1316115980	1310074837	1317000261
1310074881	1317000035	1310074977	1316176180	1310074977	1316115980
1310075029	1310322352	1310075049	1317000322	1310075051	1317000262
1310075051	1317000322	1310075322	1317000295	1310075360	1317000481
1310075382	1317000480	1310075382	1317000258	1310075623	1317000274
1310075624	1317000258	1310075624	1317000480	1310075626	1317000480
1310075626	1317000274	1310075626	1317000258	1310075638	1317000156
1310075638	1317000182	1310075725	1317000040	1310075725	1317000482
1310075807	1317000269	1310075808	1317000269	1310075988	1317000182
1310075988	1317000156	1310076118	1317000035	1310076187	1317000182
1310076187	1317000156	1310076275	1317000298	1310076310	1317000481
1310076559	1317000553	1310080865	1317000322	1310084100	1317000182
1310084100	1317000156	1310118100	1317000322	1310118100	1317000262
1310118200	1317000322	1310118200	1317000262	1310118300	1317000262
1310118300	1317000322	1310118400	1317000322	1310118400	1317000262
1310127300	1317000182	1310127300	1317000156	1310127900	1317000262
1310127900	1317000322	1310128000	1317000262	1310128000	1317000322
1310128100	1317000322	1310128100	1317000262	1310128400	1317000322
1310128410	1317000262	1310128510	1317000322	1310166700	1317000271
1310169201	1317000315	1310171410	1317000261	1310175631	1317000273
1310175637	1317000273	1310190185	1317000273	1310192250	1317000298
1310198902	1317000313	1310203001	1317000274	1310203011	1317000274
1310203021	1317000274	1310219401	1317000291	1310219701	1317000298
1310221100	1317000296	1310224200	1317000182	1310224200	1317000156
1310251175	1317000313	1310253601	1317000298	1310255932	1317000481
1310266489	1317000294	1310266507	1317000156	1310266507	1317000182
1310266508	1317000156	1310266508	1317000182	1310266600	1317000481
1310266633	1317000481	1310266710	1317000481	1310414200	1317000040
1310414200	1317000482	1310414300	1317000040	1310414300	1317000482
1310415500	1317000482	1310415500	1317000040	1310416600	1317000482
1310416600	1317000040	1310432000	1317000297	1310462900	1317000270
1310469402	1317000187	1310600132	1317000480	1310600137	1317000480
1310600218	1317000315	1310600337	1317000301	1310600338	1317000295
1310600436	1317000295	1310600541	1317000295	1310600560	1317000296
1310600562	1317000296	1310669800	1317000271	1310669900	1317000271
1310677100	1317000182	1310677100	1317000156	1310677100	1317000182
1310689511	1317000273	1310689711	1317000273	1310697050	1317000035
1310796196	1317000479	1310801700	1317000182	1310801700	1317000156
1310822011	1317000313	1310825081	1317000315	1310855530	1317000322
1310855630	1317000322	1310867600	1317000297	1310888700	1317000322
1310923752	1317000156	1310923752	1317000182	1310924378	1317000273
1310924378	Engineparts	1310934400	1317000182	1310934400	1317000156
1310963801	1310963881	1310963850	1310963881	1316010001	1317000156
1316010001	1317000182	1316010006	1317000156	1316010006	1317000182
1316010074	1317000156	1316010074	1317000182	1316010079	1317000553
1316010092	1317000481	1316010101	1317000182	1316010101	1317000156
1316010122	1317000322	1316010122	1317000262	1316010127	1317000273
1316010130	1317000273	1316010150	1317000296	1316010183	1317000183
1316010219	1317000297	1316010221	1317000182	1316010221	1317000156

Part no	Part no	Part no	Part no	Part no	Part no
1316010222	1317000297	1316010232	1317000316	1316010232	1317000050
1316010262	1317000156	1316010262	1317000182	1316010275	1317000184
1316010300	1317000182	1316010300	1317000156	1316010318	1316205605
1316012500	1317000260	1316013300	1317000298	1316020112	1317000260
1316020114	1317000260	1316020125	1317000262	1316020126	1317000262
1316020127	1317000262	1316020149	1317000295	1316020208	1317000295
1316020214	1317000295	1316020258	1317000156	1316020259	1317000156
1316020271	1317000301	1316020311	1317000790	1316020311	1316010372
1316020312	1317000790	1316020312	1316010372	1316020313	1317000790
1316020313	1316010372	1316020315	1316010372	1316020315	1317000790
1316020316	1316010372	1316020316	1317000790	1316020317	1316010372
1316020317	1317000790	1316020318	1316010372	1316020318	1317000790
1316020319	1316010372	1316020319	1317000790	1316020320	1317000790
1316020320	1316010372	1316020322	1316010372	1316020322	1317000790
1316020324	1317000790	1316020324	1316010372	1316020325	1317000790
1316020325	1316010372	1316020326	1317000790	1316020326	1316010372
1316020327	1317000790	1316020327	1316010372	1316020329	1316010372
1316020329	1317000790	1316020330	1316010372	1316020330	1317000790
1316020331	1317000790	1316020331	1316010372	1316020332	1317000790
1316020332	1316010372	1316020333	1316010372	1316020333	1317000790
1316020334	1316010372	1316020334	1317000790	1316020339	1316010372
1316020339	1317000790	1316020344	1316010372	1316020344	1317000790
1316020346	1316010372	1316020346	1317000790	1316020347	1316010372
1316020347	1317000790	1316020348	1316010372	1316020348	1317000790
1316020372	1317000790	1316020372	1316010372	1316020373	1317000790
1316020373	1316010372	1316020571	1316205600	1316020571	1316205605
1316020572	1316205600	1316020572	1316205605	1316020796	1317000295
1316021255	1317000297	1316021285	1317000298	1316021286	1317000298
1316021287	1317000298	1316021600	1317000261	1316021688	1317000156
1316021688	1317000182	1316021689	1317000182	1316021689	1317000156
1316021869	1317000295	1316022910	1317000156	1316022910	1317000182
1316112305	1317000269	1316113001	1317000182	1316113001	1317000156
1316113101	1317000182	1316113101	1317000156	1316113701	1317000035
1316113800	1317000035	1316113981	1317000322	1316113990	1316113981
1316114090	1316113981	1316114190	1316113981	1316114290	1316113981
1316114390	1316113981	1316114481	1317000322	1316114490	1316114481
1316114600	1317000322	1316114610	1317000262	1316115200	1317000322
1316115200	1317000262	1316115300	1317000322	1316115300	1317000262
1316115401	1317000156	1316115401	1317000182	1316115500	1317000322
1316115600	1317000322	1316115700	1317000322	1316115800	1316115770
1316115900	1316115960	1316115950	1316115980	1316115960	1316115980
1316115980	1317000322	1316116000	1317000262	1316116000	1317000322
1316116100	1317000156	1316116100	1317000182	1316116220	1317000315
1316116300	1317000182	1316116300	1317000156	1316117152	1317000274
1316117153	1317000274	1316138782	1317000274	1316138800	1317000313
1316139000	1317000262	1316139000	1317000322	1316139100	1317000261
1316139400	Engineparts	1316139400	1317000274	1316139501	1317000274
1316139600	1317000269	1316139705	1317000274	1316139800	1317000274
1316139850	1317000274	1316139910	1317000316	1316140000	1317000156
1316140000	1317000182	1316140305	1317000274	1316142800	1317000156
1316142800	1317000182	1316142901	1317000182	1316142901	1317000156
1316143000	1317000156	1316143000	1317000182	1316148000	1317000261
1316149500	1317000271	1316156700	1317000156	1316156700	1317000182
1316157000	1317000183	1316157600	1317000192	1316157600	1317000193
1316157600	1317000191	1316157600	1317000190	1316157700	1317000191
1316157700	1317000190	1316157800	1317000191	1316157800	1317000193
1316157800	1317000190	1316157800	1317000192	1316157900	1317000193
1316157900	1317000192	1316162105	1316162100	1316162110	1316162100
1316169900	1317000269	1316169911	1317000269	1316170001	1317000270
1316173700	1317000271	1316173800	1317000271	1316174100	1317000271
1316174200	1317000298	1316174301	1317000298	1316174400	1317000274
1316174503	1317000274	1316174600	1317000274	1316174604	1317000274

Part no	Part no	Part no	Part no	Part no	Part no
1316174605	1317000298	1316174605	1317000274	1316174700	1317000274
1316174900	1317000274	1316175002	1317000258	1316175100	1317000291
1316175301	1317000261	1316175502	1317000261	1316175510	1317000261
1316175600	1317000261	1316175701	1317000261	1316176000	1316176080
1316176005	1316176080	1316176010	1316176080	1316176015	1316176080
1316176020	1316176080	1316176080	1317000262	1316176100	1316176150
1316176105	1316176150	1316176110	1316176180	1316176150	1316176180
1316176160	1316176180	1316176180	1317000262	1316176200	1317000262
1316176300	1317000262	1316176400	1317000262	1316176510	1316176500
1316176520	1316176500	1316176600	1317000313	1316176700	1317000313
1316176800	1317000261	1316176810	1317000261	1316176900	1317000261
1316176910	1317000261	1316176920	1317000261	1316176980	1317000261
1316177400	1317000273	1316183401	1317000270	1316183600	1317000261
1316183800	1317000270	1316184001	1317000298	1316184010	1317000298
1316199200	1317000156	1316199200	1317000182	1316199300	1317000274
1316200501	1317000040	1316202500	1317000480	1316202510	1317000480
1316204501	1317000301	1316205600	1316205600	1316205600	8972422836
1316205605	1316205605	1316205605	8972422836	1316206100	1317000184
1316206800	1317000187	1316206800	1317000191	1316206800	1317000193
1316206900	1317000192	1316206900	1317000191	1316206900	1317000187
1316206900	1317000193	1316206900	1317000190	1316208100	1317000297
1316208200	1317000274	1316208300	1317000193	1316208300	1317000192
1316209300	1317000274	1316214600	1317000315	1316214700	1317000297
1316215100	1317000553	1316217400	1317000274	1316225300	1317000271
1316250400	1317000035	1316269300	1317000295	1316276200	1317000035
1316283100	1316283180	1316283200	1317000262	1316285290	1316205605
1316285290	1317000313	1316285300	1316205605	1316285390	1316205605
1316294490	1317000035	1317000756	1316012500	1317005075	1317000301
1604027201	1317000270	1604029101	1317000270	1604029200	1317000270
1604030801	1316020147	1604030901	1316020147	1604040681	1317000035
1604084785	1317000297	1604401707	1317000297	1604611102	1317000481
1604668600	1317000187	1604694505	1317000270	1607852288	1317000297
1607852288	1317000298	1607852288	Compressorparts	1607852293	1317000297
1613726200	1316020147	1614611800	1317000313	1615508000	1317000050
1615566400	1317000190	1615566400	1317000316	1615566400	1317000156
1615566400	1317000322	1615566400	1317000182	1615566400	1317000553
1615566400	1317000291	1615566400	1317000191	1615566400	1317000315
1615566400	1317000192	1615566400	1317000271	1615566400	1317000298
1615566400	1317000274	1615566400	1317000262	1615566400	1317000193
1615566400	1317000261	1615566400	1317000187	1615682500	1317000270
1615721400	1317000261	1615860500	1317000322	1615860500	1317000262
1615861902	1317000182	1615861902	1317000156	1615862000	1317000182
1615862000	1317000156	1615943800	1317000271	1616510800	Compressorparts
1616562500	1317000270	1616562580	Compressorparts	1619266500	1317000262
1619266500	1317000322	1619276600	1317000262	1619276600	1317000261
1619276600	1317000322	1619276600	1317000313	1619276600	1317000298
1619276600	1317000481	1619276600	1317000273	1619276600	1317000156
1619276600	1317000274	1619276600	1317000182	1619276600	1316115980
1619276600	1316176180	1622706405	Compressorparts	1622706405	1317000313
1622870400	1317000270	1626225501	COOLANT	1626225501	8972422836
1626225501	8972422836	1626225601	COOLANT	1626225601	8972422836
1626225601	8972422836	1626225800	8972422836	1626225900	8972422836
1626228701	1317000270	1626230700	1317000270	162655280	1317000182
162655280	1317000156	1626566191	1310322357	1626617100	1317000262
1626617100	1317000322	1626857391	1317000035	1626857391	1317000193
1626857391	1317000192	1626857391	1317000191	1626857391	1317000190
1630013411	8972422836	1630013416	8972422836	1630017500	8972422836
1630017500	COMPRESSOROIL	1630017500	8972422836	1630024900	8972422836
1630024900	COMPRESSOROIL	1630024900	8972422836	1630147500	1317000313
1630147502	1317000313	1630147503	1317000313	1638000000	1317000297
1638180500	1317000270	1638184300	1317000035	1638605402	1317000296
1638648900	1317000313	1638661200	1317000182	1638661200	1317000156



Part no	Part no	Part no	Part no	Part no	Part no
1638666810	1317000296	1638795000	1317000050	1638795100	1317000156
1638795100	1317000182	1638839380	1317000297	1638886200	1317000291
1638911500	1638886200	2205176611	1317000271	2253806300	1317000313
2914000002	COMPRESSOROIL	2914000002	8972422836	2914000002	8972422836
3161038800	1317000270	3176651900	1317000313	3176653900	1317000192
3176653900	1317000193	3176653900	1317000190	3176653900	1317000191
3315019510	1317000269	3715634400	1317000481	4810060600	Engineparts
4810060602	Engineparts	4810060624	Engineparts	4810060648	Engineparts
4810060659	Engineparts	4810060660	Engineparts	4810060662	Engineparts
4810060664	Engineparts	4810060669	Engineparts	4810060670	Engineparts
4810063599	Engineparts	4810068935	Engineparts	4810072492	Engineparts
4810072492	1316205605	4810072641	Engineparts	4810072643	Engineparts
4810072648	Engineparts	4810072650	Engineparts	4810072651	Engineparts
4810072652	Engineparts	4810072653	Engineparts	4810072654	Engineparts
4810072655	Engineparts	4810072660	Engineparts	4810072666	Engineparts
4810072670	Engineparts	4810072671	Engineparts	4810072674	Engineparts
5530768100	1317000273	6211474350	1316205600	6211474350	1316205605
6211475050	1316205600	6211475050	1316205605	8915002180	1317000481

Go to Discount-Equipment.com to order your parts



[www.discount-equipment.com](http://www.discount-equipment.com)