



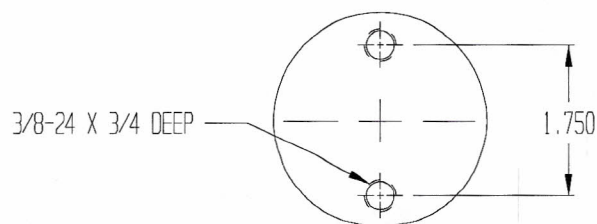
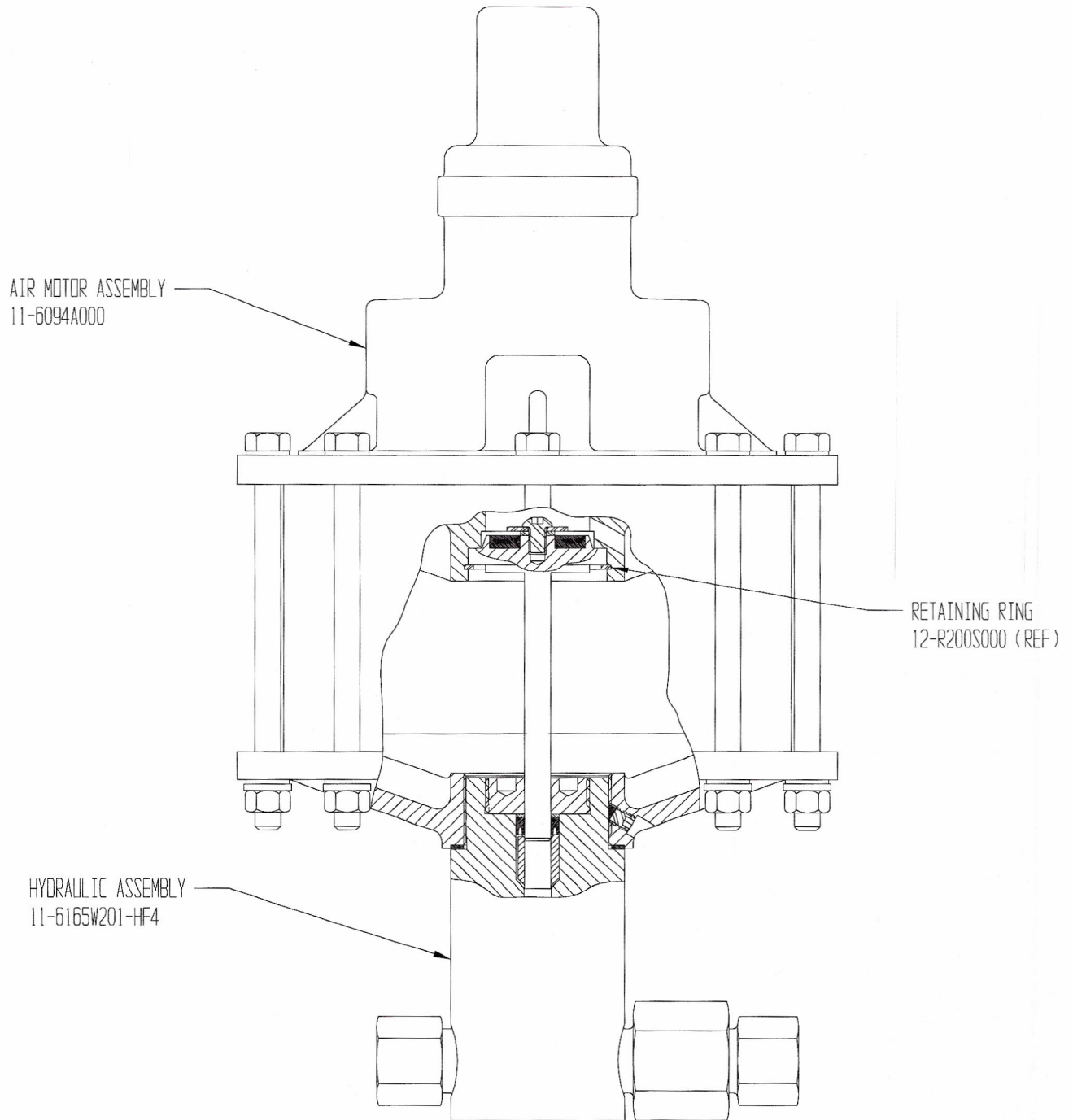
# SOUTHERN CALIFORNIA HYDRAULIC ENGINEERING CORPORATION

DESIGNERS AND MANUFACTURERS OF HYDRAULIC & PNEUMATIC EQUIPMENT

1130 COLUMBIA STREET BREA, CALIFORNIA 92821

FORM 10-6000201-HF4 REV 05/17/06

## PUMP ASSEMBLY 10-6000W201-HF4



MOUNTING DIMENSIONS



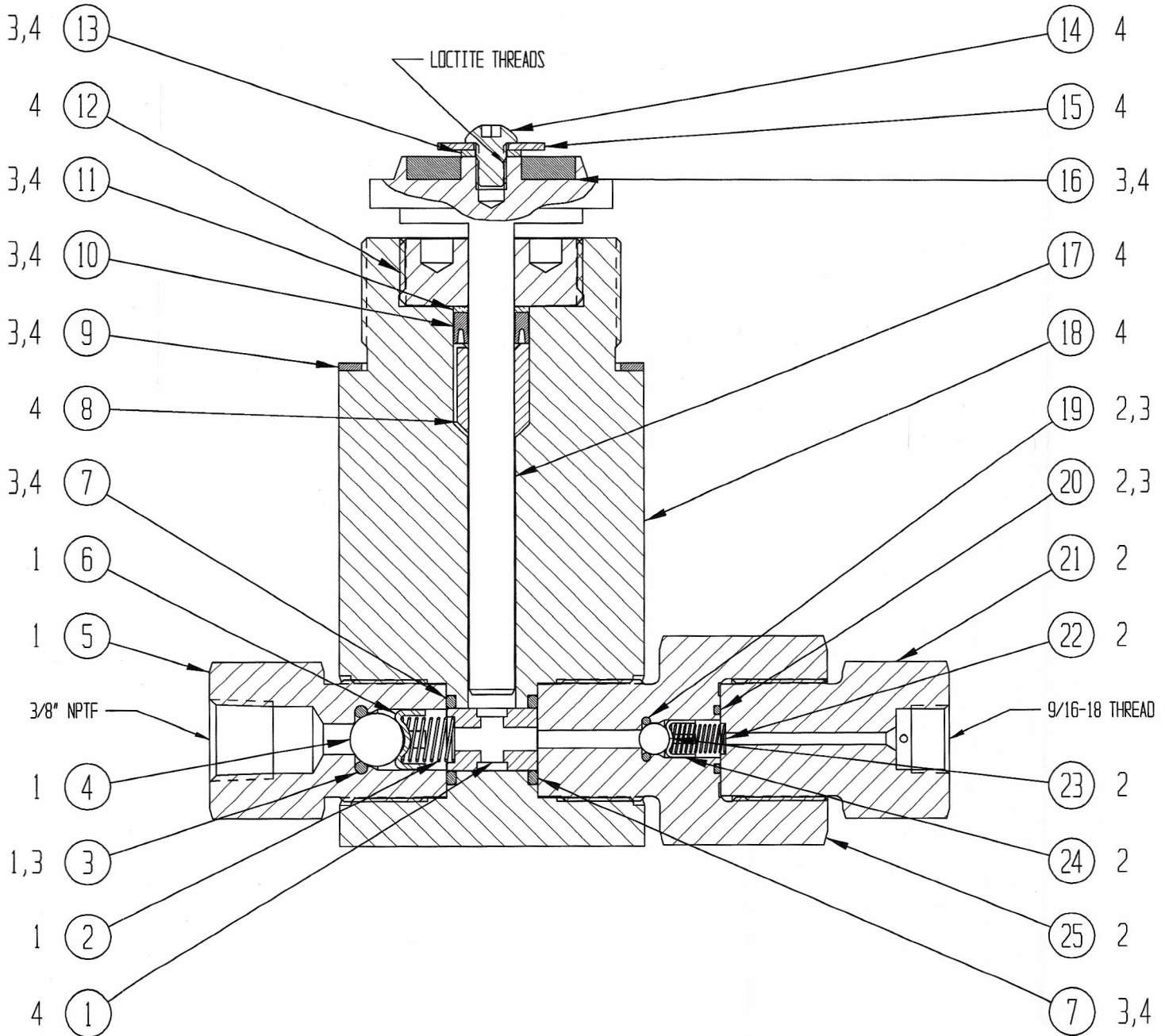
# SOUTHERN CALIFORNIA HYDRAULIC ENGINEERING CORPORATION

DESIGNERS AND MANUFACTURERS OF HYDRAULIC & PNEUMATIC EQUIPMENT

1130 COLUMBIA STREET BREA, CALIFORNIA 92821

FORM 11-6165W201-HF4 REV 05/17/06

## HYDRAULIC ASSEMBLY 11-6165W201-HF4



4 INCLUDED IN 11-6166W201 PISTON & CYLINDER ASSEMBLY

3 INCLUDED IN 11-6099N201-HF4 HYDRAULIC REPAIR KIT

2 INCLUDED IN 11-6118S000 OUTLET CHECK VALVE ASSEMBLY

1 INCLUDED IN 11-5029S000 INLET CHECK VALVE ASSEMBLY



# SOUTHERN CALIFORNIA HYDRAULIC ENGINEERING CORPORATION

*Designer and Manufacturers of Hydraulic & Pneumatic Equipment*

1130 COLUMBIA STREET, BREA, CALIFORNIA 92821 - (714) 257-4800 - FAX (714) 257-4810

**BILL OF MATERIALS** FILE: 10550165.XLS

DRAWING NUMBER & DESCRIPTION: 11-6165W201-HF4 (330:1 RATIO) HYDRAULIC ASSEMBLY

REVISION: 05/17/06

ITEM NO	QTY	PART NO	DESCRIPTION	REFERENCE NO
1	1	11-5007S407	RETAINER	10-407-7
2	1	11-5014S000	SPRING	10-450-14
3	1	P11003-110	O-RING	12-6227N008S
4	1	12-0440S437	CHECK BALL	
5	1	11-5021S000	SEAT-INLET	10-450-21
6	1	11-5034S001	BALL GUIDE	10-450-34-1
7	2	P11000-113	O-RING	12-6227N011
8	1	11-6160B200	BEARING-LOWER	10-550-160-20
9	1	11-5028N000	GASKET	10-450-28
10	1	P11202-022	SEAL-ROD	
11	1	D10653-4	BACK UP	
12	1	11-6158B200	RETAINER	10-550-158-20
13	1	P10212-025	HELICAL SPRING LOCK WASHER	12-5001C407
14	1	12-25F37SBC45Z	BUTTON HEAD CAP SCREW	
15	1	12-25N87WF1Z	FENDER WASHER	
16	1	11-5051P000	PISTON BUMPER	10-450-51
17	1	11-6008S200	HYDRAULIC PISTON	10-550-8-20
18	1	11-6157B201	HYDRAULIC CYLINDER	10-550-157-20-1
19	1	P11000-010	O-RING	12-6227N005
20	1	P11000-013	O-RING	12-8775N013
21	1	11-6117S000	ADAPTER	10-550-117
22	1	11-6016S000	SPRING	10-550-16
23	1	12-0440S250	CHECK BALL	
24	1	11-6015S000	BALL GUIDE	10-550-15
25	1	11-6116S000	SEAT-OUTLET	10-550-116

Where Used  
Pump Assemblies

10-6000W201-HF4  
D6000B330-HF4



# SOUTHERN CALIFORNIA HYDRAULIC ENGINEERING CORPORATION

Designer and Manufacturers of Hydraulic & Pneumatic Equipment

1130 COLUMBIA STREET, BREA, CALIFORNIA 92821 - WWW.SCHYDRAULIC.COM

## 600 SERIES PUMP LUBRICATED AND DRY LUBE APA VALVE AIR MOTOR ASSEMBLIES

DOC NO. 15138  
REV. N/C 04-06-09 M.E.  
PAGE 1 OF 4

### LUBRICATED AIR MOTOR ASSEMBLY 11-6094A000 DRY LUBE AIR MOTOR ASSEMBLY 11-6094ADL0 AND C10515 (SEE PAGE 2 & 3 FOR DRY LUBE AIR MOTOR ASSEMBLY 11-6094ADL0 AND C10515)

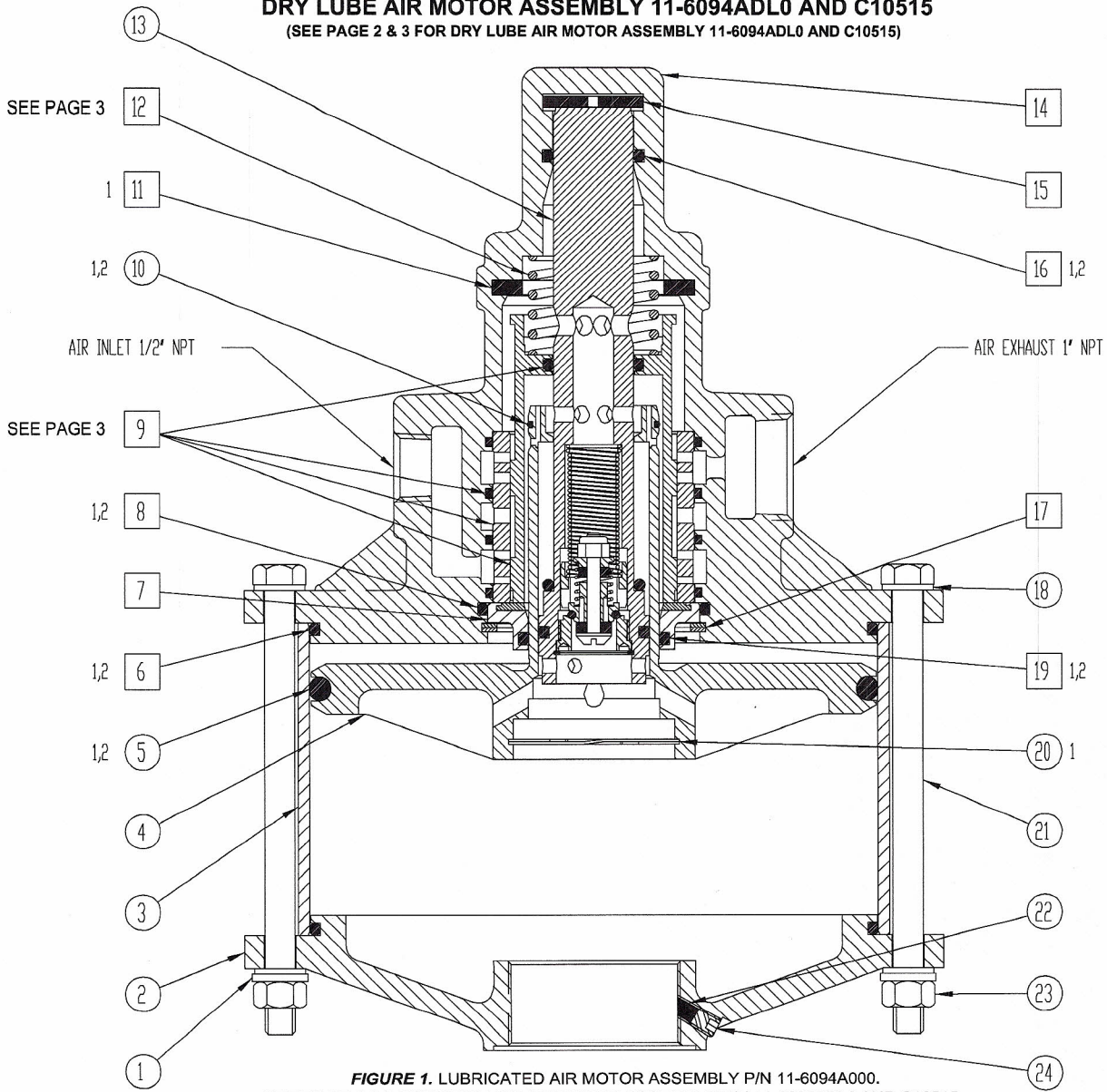


FIGURE 1. LUBRICATED AIR MOTOR ASSEMBLY P/N 11-6094A000.  
SEE PAGE 2 & 3 FOR DRY LUBE AIR MOTOR ASSEMBLY P/N 11-6094ADL0 AND C10515.

1 INCLUDED IN 11-6100N000 AIR MOTOR REPAIR KIT

1 INCLUDED IN R10104 AIR MOTOR REPAIR KIT

2 INCLUDED IN 11-6130N000 AIR MOTOR PACKING SET

2 INCLUDED IN R10105 AIR MOTOR PACKING SET

XX INCLUDED IN 11-6128A000 HEAD ASSEMBLY

XX INCLUDED IN C10516 HEAD ASSEMBLY

NOTE: USE WITH AIR MOTOR ASSEMBLY P/N 11-6094A000.  
P/N 11-6100N000 AND 11-6130N000 INCLUDE SAME PARTS  
AS R10104 AND R10105 RESPECTIVELY.

NOTE: USE WITH AIR MOTOR ASSEMBLY P/N 11-6094ADL0  
AND C10515. P/N 11-6100N000 AND 11-6130N000 INCLUDE  
SAME PARTS AS R10104 AND R10105 RESPECTIVELY.



# SOUTHERN CALIFORNIA HYDRAULIC ENGINEERING CORPORATION

Designer and Manufacturers of Hydraulic & Pneumatic Equipment

1130 COLUMBIA STREET, BREA, CALIFORNIA 92821 - (714) 257-4800 - FAX (714) 257-4810

## 600 SERIES PUMP LUBRICATED AND DRY LUBE APA VALVE AIR MOTOR ASSEMBLIES

A. LUBRICATED AIR MOTOR ASSEMBLY P/N 11-6094A000 (REFER TO ITEM 9A & 12A)

B. DRY LUBE AIR MOTOR ASSEMBLY P/N 11-6094ADL0 AND C10515 (REFER TO ITEM 9B & 12B)

DOC. NO. 15138, REV. N/C, 04-06-09

PAGE 2 OF 4

ITEM NO	QTY	PART NO	DESCRIPTION	REFERENCE NO
1	8	P10212-038	WASHER-LOCK	
2	1	11-6002A000	END	10-550-2
3	1	11-6151P000	CYLINDER-AIR	10-550-151
4	1	11-6025A000	PISTON-AIR	10-550-25
5	1	P11000-439	O-RING	12-6227N066
6	2	P11000-261	O-RING	12-6230N039
7	1	11-5047N000	BEARING ASSEMBLY	10-450-47
8	1	P11000-231	O-RING	12-6230N009
9A *	1	11-6152A000	LUBRICATED APA VALVE ASSEMBLY (SEE PAGE 3)	10-550-152
9B *	1	11-6152ADL0	DRY LUBE APA VALVE ASSEMBLY (SEE PAGE 3)	10-550-152DL
10	1	P11000-028	O-RING	12-8775N028
11	1	11-5057P000	BUMPER	10-450-57
12A *	1	11-5005M001	SPRING, RETURN (USE W/ITEM No. 9A, SEE PAGE 3)	10-450-5-1
12B *	1	11-5005M002	SPRING, RETURN (USE W/ITEM No. 9B, SEE PAGE 3)	10-450-5-2
13	1	11-6027A000	PILOT VALVE ASSEMBLY	10-550-27
14	1	11-6092A000	HEAD	10-550-92
15	1	11-5012N000	BUMPER	10-450-12
16	1	P11000-214	O-RING	12-6227N019
17	1	12-R262S000	RETAINING RING	RRT-262
18	16	P10214-038	WASHER-FLAT	
19	1	P11000-223	O-RING	12-6230N001
20	1	12-R200S000	RETAINING RING	RRT-200
21	8	P10230	BOLT-HEX	
22	1	11-5172N000	PLUG	10-450-172
23	8	12-37CNFH1Z	NUT-HEX	
24	1	P10238	SET SCREW-HEX SOCKET	12-25C313CPSS

### \* ITEM 9A - LUBRICATED APA VALVE ASSEMBLY P/N 11-6152A000. SEE PAGE 3 FOR DETAILS.

ITEM NO	QTY	PART NO	DESCRIPTION	REFERENCE NO
9A.1	1	P11000-214	O-RING	
9A.2	1	11-6153A000	PISTON, APA	10-550-153
9A.3	1	11-6126A000	SLEEVE, APA	10-550-126
9A.4	4	P11000-144	O-RING	

### \* ITEM 9B - DRY LUBE APA VALVE ASSEMBLY P/N 11-6152ADL0 AND C10526. SEE PAGE 3 FOR DETAILS.

ITEM NO	QTY	PART NO	DESCRIPTION	REFERENCE NO
9B.1	1	P11000-214	O-RING	
9B.2	1	P10263-193	RETAINING RING	
9B.3	1	D10684	SEAL, DRY LUBE	
9B.4	1	P11000-135	O-RING	
9B.5	1	D10817	PISTON, APA	
9B.6	2	P11003-137	O-RING	
9B.7	1	D10263	SLEEVE, APA	
9B.8	4	P11000-144	O-RING	



# SOUTHERN CALIFORNIA HYDRAULIC ENGINEERING CORPORATION

Designer and Manufacturers of Hydraulic & Pneumatic Equipment

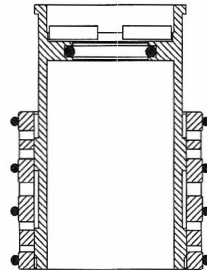
1130 COLUMBIA STREET, BREA, CALIFORNIA 92821 - WWW.SCHYDRAULIC.COM

## 600 SERIES PUMP DRY LUBE AND LUBRICATED APA VALVE AIR MOTOR ASSEMBLIES

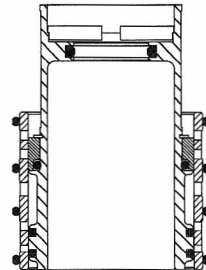
DOC NO. 15138

REV. N/C 04-06-09 M.E.

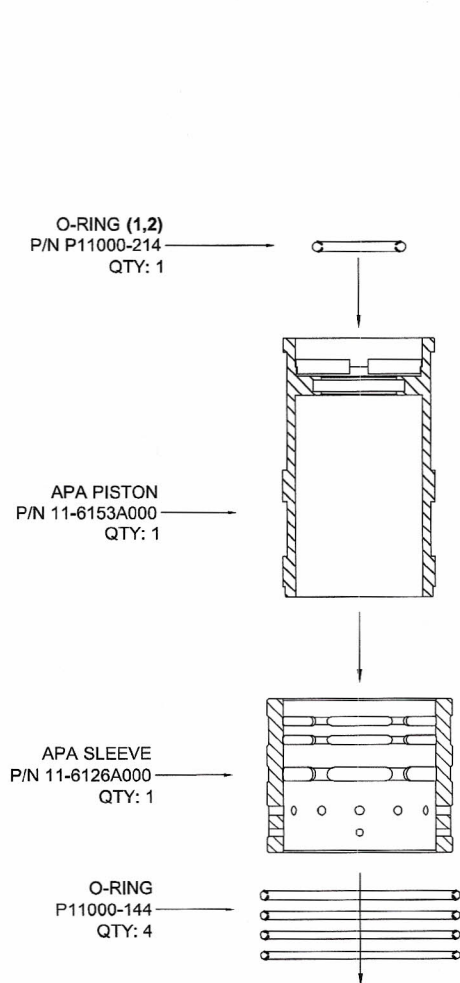
PAGE 3 OF 4



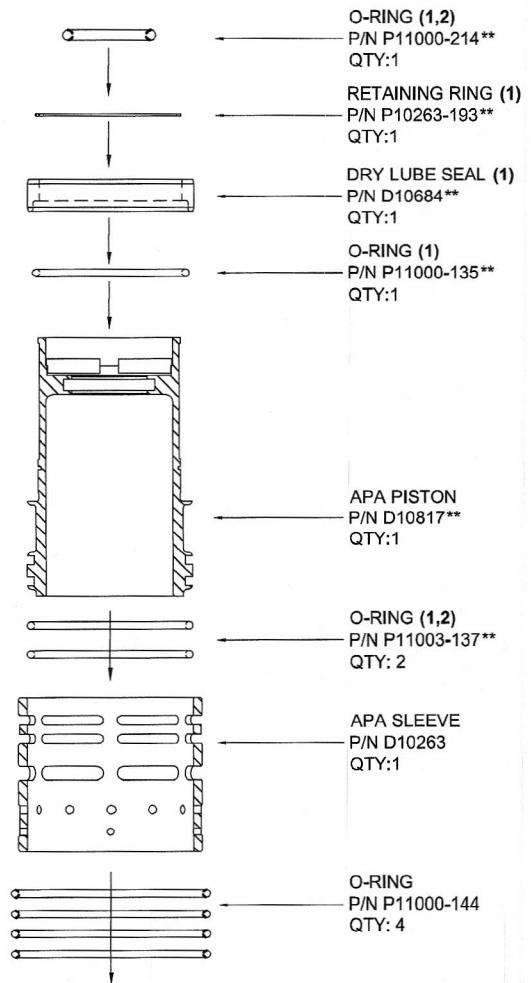
**FIGURE 2. LUBRICATED APA VALVE ASSEMBLY**  
P/N 11-6152A000



**FIGURE 3. DRY LUBE APA VALVE ASSEMBLY**  
NEW P/N 11-6152ADL0 AND C10526



**FIGURE 4. LUBRICATED APA VALVE PART CONFIGURATION.**  
USE APA VALVE ASSEMBLY P/N 11-6152A000.  
USE APA VALVE RETURN SPRING P/N 11-5005M001.  
USE AIR MOTOR P/N 11-6094A000  
**REFER TO ITEMS 9A AND 12A**



**FIGURE 5. DRY LUBE APA VALVE PART CONFIGURATION.**  
USE APA VALVE ASSEMBLY P/N 11-6152ADL0  
USE APA VALVE RETURN SPRING P/N 11-5005M002  
USE AIR MOTOR ASSEMBLY P/N 11-6094ADL0 AND C10525  
\*\*PARTS INCLUDED IN APA PISTON ASSEMBLY P/N C10544  
**REFER TO ITEMS 9B AND 12B**



# SOUTHERN CALIFORNIA HYDRAULIC ENGINEERING CORPORATION

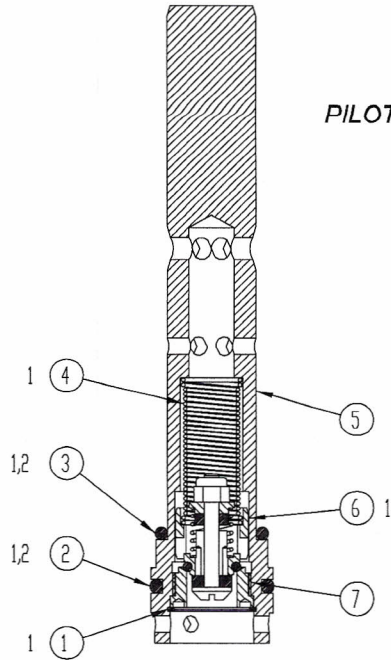
Designer and Manufacturers of Hydraulic & Pneumatic Equipment

1130 COLUMBIA STREET, BREA, CALIFORNIA 92821 — WWW.SCHYDRAULIC.COM

## 600 SERIES PUMP LUBRICATED AND DRY LUBE APA VALVE AIR MOTOR ASSEMBLIES

DOC NO. 15138  
REV. N/C 04-06-09 M.E.  
PAGE 4 OF 4

### PILOT VALVE ASSEMBLY 11-6027A000

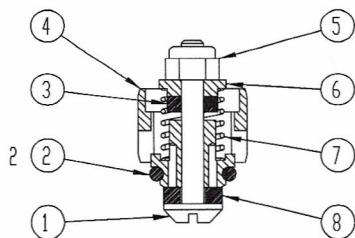


ITEM NO.	QTY	PART NO.	DESCRIPTION	REF NO.
7	1	11-5024A403	SEAT	10-403-24
6	1	11-6032X403	AIR CHECK ASSY	10-403-32-1
5	1	11-6023A000	VALVE BODY	10-550-23
4	1	11-5016M001	SPRING	10-450-16-1
3	1	P11000-214	O-RING	12-6227N019
2	1	P11000-216	O-RING	12-6227N021
1	1	12-R093S000	RETAINING RING	RRT-93

2 INCLUDED IN 11-6130N000 AND R10105 AIR MOTOR PACKING SET

1 INCLUDED IN 11-6100N000 AND R10104 AIR MOTOR REPAIR KIT

### AIR CHECK ASSEMBLY 11-6032X403



ITEM NO.	QTY	PART NO.	DESCRIPTION	REF NO.
8	1	11-5025V403	WASHER	10-403-25V
7	1	11-5015M000	SPRING	10-450-15
6	1	11-5039S000	RETAINER	10-450-39
5	1	12-2104A4D08	NUT	
4	1	11-5171X001	VALVE BODY	10-450-171-1
3	1	11-5043V000	WASHER	10-450-43V
2	1	P11000-111	O-RING	12-6227N009
1	1	11-5056A000	SCREW	10-450-56