

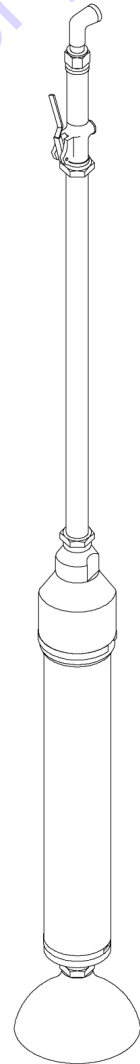


**Chicago
Pneumatic**

Spare parts list

Pneumatic tampers

CP 0004



**Discount
Equipment**

www.discount-equipment.com

PARTS FINDER

**Search Website
by Part Number**



**Search Manual
Library For Parts
Manual & Lookup Part
Numbers – Purchase
or Request Quote**

Search Manuals

Enter your information to help us find the right parts manual for your machine.

* Brand:

* Model:

* Serial:

* Part Number:

SEARCH

**Can't Find Part or
Manual? Request Help
by Manufacturer,
Model & Description**

Parts Order Form

Please fill in the following information to help us find the right part for your machine.

Manufacturer:	<input type="text"/>
Model:	<input type="text"/>
Description:	<input type="text"/>
Part Number:	<input type="text"/>
Quantity:	<input type="text"/>
Notes:	<input type="text"/>

Submit

Discount-Equipment.com is your online resource for quality parts & equipment.

Florida: **561-964-4949** Outside Florida TOLL FREE: **877-690-3101**

Need parts?

Click on this link: <http://www.discount-equipment.com/category/5443-parts/> and choose one of the options to help get the right parts and equipment you are looking for. Please have the machine model and serial number available in order to help us get you the correct parts. If you don't find the part on the website or on one of the online manuals, please fill out the request form and one of our experienced staff members will get back to you with a quote for the right part that your machine needs.

We sell worldwide for the brands: Genie, Terex, JLG, MultiQuip, Mikasa, Essick, Whiteman, Mayco, Toro Stone, Diamond Products, Generac Magnum, Airman, Haulotte, Barreto, Power Blanket, Nifty Lift, Atlas Copco, Chicago Pneumatic, Allmand, Miller Curber, Skyjack, Lull, Skytrak, Tsurumi, Husquvarna Target, Stow, Wacker, Sakai, Mi-T-M, Sullair, Basic, Dynapac, MBW, Weber, Bartell, Bennar Newman, Haulotte, Ditch Runner, Menegotti, Morrison, Contec, Buddy, Crown, Edco, Wyco, Bomag, Laymor, EZ Trench, Bil-Jax, F.S. Curtis, Gehl Pavers, Heli, Honda, ICS/PowerGrit, IHI, Partner, Imer, Clipper, MMD, Koshin, Rice, CH&E, General Equipment, Amida, Coleman, NAC, Gradall, Square Shooter, Kent, Stanley, Tamco, Toku, Hatz, Kohler, Robin, Wisconsin, Northrock, Oztec, Toker TK, Rol-Air, APT, Wylie, Ingersoll Rand / Doosan, Innovatech, Con X, Ammann, Mecalac, Makinex, Smith Surface Prep, Small Line, Wanco, Yanmar

Go to Discount-Equipment.com to order your parts

Contents

General information 5

Spare parts list 6

Accessories 8

- Butts 8
- Optional equipment 8
- Hose rolls 8
- Pre-mounted universal hoses with claw couplings 9
- Water separator 9
- Lubricator 10
- CP airolene plus tool oil 10

Go to Discount-Equipment.com to order your parts

Go to Discount-Equipment.com to order your parts

General information

This spare parts list applies to the following:

Description

Pneumatic tamper CP 0004

Use only authorized parts. Any damage or malfunction caused by the use of unauthorized parts is not covered by Warranty or Product Liability. Any unauthorized use or copying of the contents or any part thereof is prohibited. This applies in particular to trademarks, model denominations, part numbers, and drawings.

Instructions for use

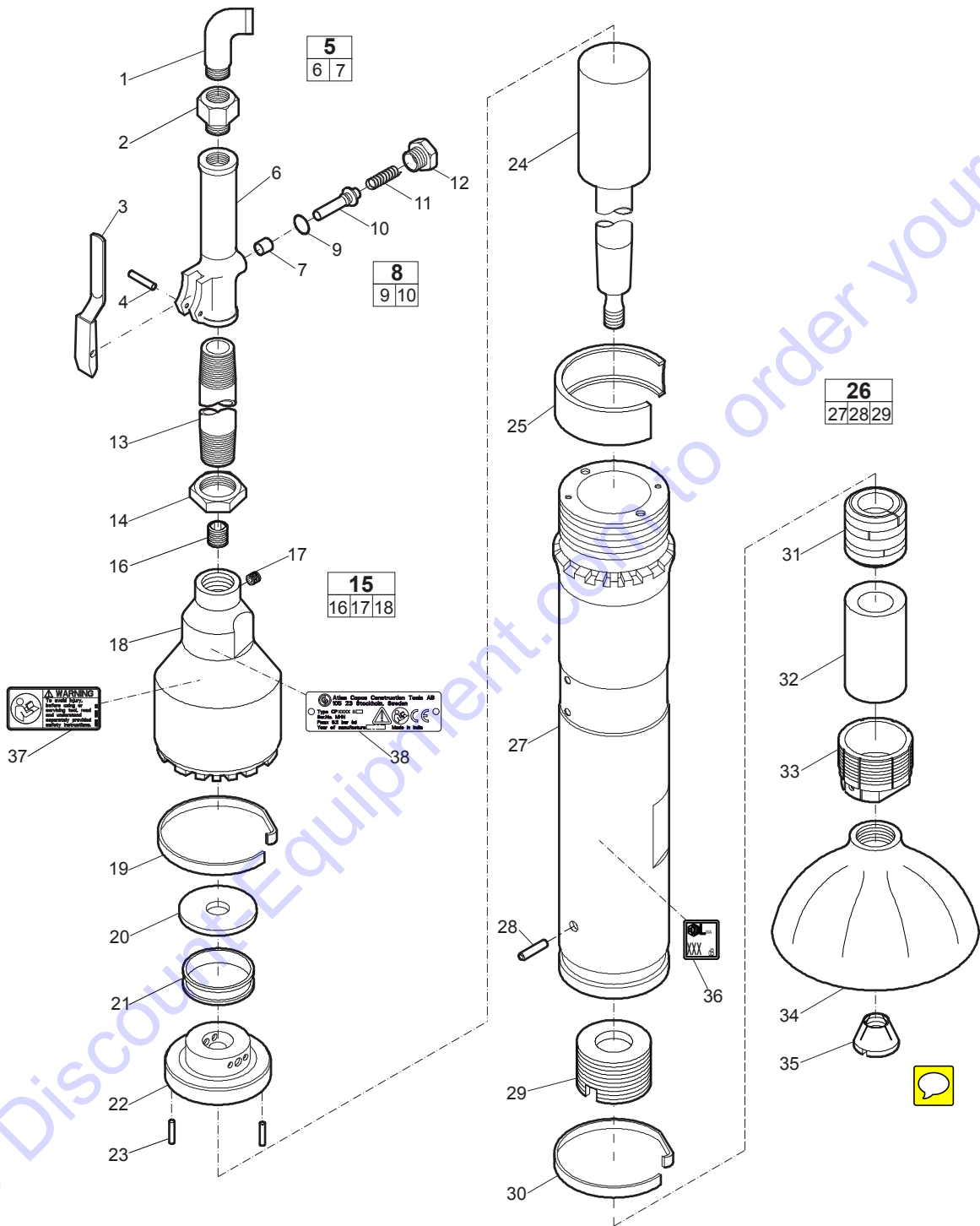
This spare parts list contains no safety regulations and is merely intended to assist in the ordering of spare parts.

For information about operating, servicing, or repairing, the relevant Safety and operating instructions must be consulted at all costs.

Please observe the safety instructions listed in the relevant Safety and operating instructions!

Go to Discount-Equipment.com to order your parts

Spare parts list



No.	Description	Remark	Quantity	Part number
1	Elbow - Street	½" - 90	1	R072457
2	Strainer - Air		1	P001995
3	Lever - Valve		1	P001903
4	Pin - Lever		1	P001921
5(6-7)	Body - Throttle valve, complete		1	P007350
6	Body - Throttle valve		1	-
7	Bushing - Throttle valve		1	P001814
8(9-10)	Valve - Throttle, complete		1	P087671
9	O-ring		1	CA088867
10	Valve - Throttle		1	-
11	Spring - Throttle valve		1	P001858
12	Cap - Valve		1	P001964
13	Pipe - Extension		1	P071147
14	Locknut - Pipe		2	F003087
15(16-18)	Cylinder head, complete		1	P079695
16	Plug - Oil regulating		1	P084132
17	Plug - Filler		1	C068799
18	Cylinder head		1	-
19	Clip - Cylinder head lock		1	P084464
20	Lid - Valve		1	P009667
21	Valve		1	P009665
22	Block - Valve		1	P009666
23	Pin - Block dowel		2	A043627
24	Piston	Threaded end	1	P089043
25	Clip - Exhaust		1	P009674
26(27-29)	Cylinder bushing, complete		1	P084463
27	Cylinder		1	-
28	Pin - Cylinder bushing		1	S001157
29	Bushing - Cylinder		1	P074473
30	Clip - Lock nut		1	P084466
31	Packing - Piston		1	P089320
32	Sleeve - Piston gland		1	P009678
33	Nut - Piston gland		1	P084465
34	Butt	Aluminum. Ø158.80 mm Ø6¼ in	1	P089050
35	Lock nut - Butt		1	P089045
36	Sound power label		1	-
37	Safety label		1	3310 1602 00
38	Data plate		1	-

Accessories

Butts

Metric

Description	Remark	Diameter (mm)	Part number
Butt	Aluminum	63.50	P138879
Butt	Cast iron	146	3303 0050 81
Butt, concave	Cast iron	-	3303 0050 83

Imperial

Description	Remark	Diameter (in)	Part number
Butt	Aluminum	2½	P138879
Butt	Cast iron	5¾	3303 0050 81
Butt, concave	Cast iron	-	3303 0050 83

Optional equipment

Description	Remark	Quantity	Part number
Muffler		1	P125807

Hose rolls

Metric

Description	Inner diameter (mm)	Thickness (mm)	Maximum working pressure (bar)	Length of roll (m)	Weight (kg)	Part number
Red-X hose roll	19	2.0	20	60	11	8900 0050 10
Red-X hose roll	19	2.0	20	100	18	8900 0050 11
Red-X hose roll	19	2.0	20	200	36	8900 0050 12
Red-X hose roll	25	2.5	20	60	15	8900 0050 20
Red-X hose roll	25	2.5	20	100	25	8900 0050 21
Red-X hose roll	25	2.5	20	200	50	8900 0050 22

Imperial

Description	Inner diameter (in.)	Thickness (in.)	Maximum working pressure (psi)	Length of roll (ft)	Weight (lb)	Part number
Red-X hose roll	¾	⅝ ₆₄	290	195	24.3	8900 0050 10
Red-X hose roll	¾	⅝ ₆₄	290	325	39.7	8900 0050 11
Red-X hose roll	¾	⅝ ₆₄	290	650	79.4	8900 0050 12
Red-X hose roll	1	⅜ ₃₂	290	195	33.1	8900 0050 20
Red-X hose roll	1	⅜ ₃₂	290	325	55.1	8900 0050 21
Red-X hose roll	1	⅜ ₃₂	290	650	110.2	8900 0050 22

Pre-mounted universal hoses with claw couplings**Metric**

Description	Inner diameter (mm)	Thickness (mm)	Maximum working pressure (bar)	Length of roll (m)	Weight (kg)	Part number
Red-X universal hose	19	2.0	20	20	4.5	8900 0050 09
Red-X universal hose	25	2.5	20	20	6.0	8900 0050 23

Imperial

Description	Inner diameter (in.)	Thickness (in.)	Maximum working pressure (psi)	Length of roll (ft)	Weight (lb)	Part number
Red-X universal hose	¾	⅝ ₆₄	290	50	8.8	8900 0050 08
Red-X universal hose	1	⅜ ₃₂	290	50	11.0	8900 0050 24

Water separator**Metric**

Description	Hose connection (mm)	Air flow (l/s)	Weight (kg)	Part number
Water separator (¾" BSP)	20	61	0.8	8900 0050 00

Imperial

Description	Hose connection (in.)	Air flow (foot ³ /min)	Weight (lb)	Part number
Water separator (¾" NPT)	¾	130	1.8	8900 0050 01

Lubricator

Metric

Description	Hose connection (mm)	Air flow (l/s)	Oil volume (l)	Weight (kg)	Part number
Lubricator 1300 (1" BSP)	25	15-140	1.3	3	8900 0050 02

Imperial

Description	Hose connection (in.)	Air flow (foot ³ /min)	Oil volume (US gallon)	Weight (lb)	Part number
Lubricator 43 (1" NPT)	1	32-300	0.34	6.6	8900 0050 07

CP airolene plus tool oil

Metric

Description	Oil volume (l)	Part number
5 l container	5	8099 0202 49
4 x 5 l container	20	8099 0202 51

Imperial

Description	Oil volume (US gallon)	Part number
1.32 US gallon container	1.32	8099 0202 49
4 x 1.32 US gallon container	5.28	8099 0202 51



**Chicago
Pneumatic**



www.discount-equipment.com

Go to Discount-Equipment.com to order your parts

2010-04 | No. 9800 0533 01

© Copyright Atlas Copco Construction Tools AB | STOCKHOLM • SWEDEN

PARTS FINDER

**Search Website
by Part Number**



**Search Manual
Library For Parts
Manual & Lookup Part
Numbers – Purchase
or Request Quote**

Search Manuals

Enter your information to help us find the right parts manual for your machine.

* Brand:

* Model:

* Serial:

* Part Number:

SEARCH

**Can't Find Part or
Manual? Request Help
by Manufacturer,
Model & Description**

Parts Order Form

Please fill in the following information to help us find the right part for your machine.

Manufacturer:	<input type="text"/>
Model:	<input type="text"/>
Description:	<input type="text"/>
Part Number:	<input type="text"/>
Quantity:	<input type="text"/>
Notes:	<input type="text"/>
Submit:	<input type="button" value="Submit"/>

Discount-Equipment.com is your online resource for quality parts & equipment.

Florida: **561-964-4949** Outside Florida TOLL FREE: **877-690-3101**

Need parts?

Click on this link: <http://www.discount-equipment.com/category/5443-parts/> and choose one of the options to help get the right parts and equipment you are looking for. Please have the machine model and serial number available in order to help us get you the correct parts. If you don't find the part on the website or on one of the online manuals, please fill out the request form and one of our experienced staff members will get back to you with a quote for the right part that your machine needs.

We sell worldwide for the brands: Genie, Terex, JLG, MultiQuip, Mikasa, Essick, Whiteman, Mayco, Toro Stone, Diamond Products, Generac Magnum, Airman, Haulotte, Barreto, Power Blanket, Nifty Lift, Atlas Copco, Chicago Pneumatic, Allmand, Miller Curber, Skyjack, Lull, Skytrak, Tsurumi, Husquvarna Target, Stow, Wacker, Sakai, Mi-T-M, Sullair, Basic, Dynapac, MBW, Weber, Bartell, Bennar Newman, Haulotte, Ditch Runner, Menegotti, Morrison, Contec, Buddy, Crown, Edco, Wyco, Bomag, Laymor, EZ Trench, Bil-Jax, F.S. Curtis, Gehl Pavers, Heli, Honda, ICS/PowerGrit, IHI, Partner, Imer, Clipper, MMD, Koshin, Rice, CH&E, General Equipment, Amida, Coleman, NAC, Gradall, Square Shooter, Kent, Stanley, Tamco, Toku, Hatz, Kohler, Robin, Wisconsin, Northrock, Oztec, Toker TK, Rol-Air, APT, Wylie, Ingersoll Rand / Doosan, Innovatech, Con X, Ammann, Mecalac, Makinex, Smith Surface Prep, Small Line, Wanco, Yanmar