



[www.discount-equipment.com](http://www.discount-equipment.com)

Filter	3392516401,BGF 039848 - 165110
Identity	3392516401
Specifications	Product number: 1806101455, Division: Portable Air, Product group: Hydraulic handheld, Product type: Hydraulic core drills , Product: COR 15, Product: COR 5, Product Company: Chakan

# PARTS FINDER

**Search Website  
by Part Number**



**Search Manual  
Library For Parts  
Manual & Lookup Part  
Numbers – Purchase  
or Request Quote**

**Search Manuals**

Enter your information to help us find the right parts manual for your machine.

\* Brand:

\* Model:

\* Serial:

\* Part Number:

SEARCH

**Can't Find Part or  
Manual? Request Help  
by Manufacturer,  
Model & Description**

**Parts Order Form**

Please fill in the following information to help us find the right part for your machine.

Manufacturer:	<input type="text"/>
Model:	<input type="text"/>
Description:	<input type="text"/>
Part Number:	<input type="text"/>
Quantity:	<input type="text"/>
Notes:	<input type="text"/>

Submit

Discount-Equipment.com is your online resource for quality parts & equipment.

Florida: **561-964-4949** Outside Florida TOLL FREE: **877-690-3101**

**Need parts?**

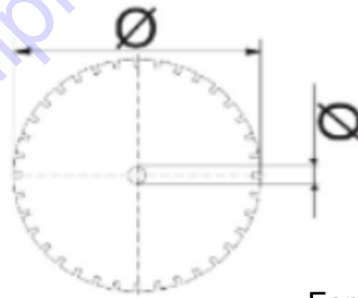
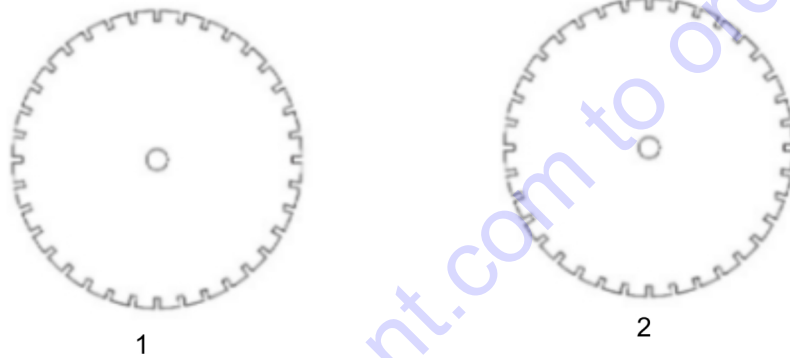
Click on this link: <http://www.discount-equipment.com/category/5443-parts/> and choose one of the options to help get the right parts and equipment you are looking for. Please have the machine model and serial number available in order to help us get you the correct parts. If you don't find the part on the website or on one of the online manuals, please fill out the request form and one of our experienced staff members will get back to you with a quote for the right part that your machine needs.

We sell worldwide for the brands: Genie, Terex, JLG, MultiQuip, Mikasa, Essick, Whiteman, Mayco, Toro Stone, Diamond Products, Generac Magnum, Airman, Haulotte, Barreto, Power Blanket, Nifty Lift, Atlas Copco, Chicago Pneumatic, Allmand, Miller Curber, Skyjack, Lull, Skytrak, Tsurumi, Husquvarna Target, Stow, Wacker, Sakai, Mi-T-M, Sullair, Basic, Dynapac, MBW, Weber, Bartell, Bennar Newman, Haulotte, Ditch Runner, Menegotti, Morrison, Contec, Buddy, Crown, Edco, Wyco, Bomag, Laymor, EZ Trench, Bil-Jax, F.S. Curtis, Gehl Pavers, Heli, Honda, ICS/PowerGrit, IHI, Partner, Imer, Clipper, MMD, Koshin, Rice, CH&E, General Equipment, Amida, Coleman, NAC, Gradall, Square Shooter, Kent, Stanley, Tamco, Toku, Hatz, Kohler, Robin, Wisconsin, Northrock, Oztec, Toker TK, Rol-Air, APT, Wylie, Ingersoll Rand / Doosan, Innovatech, Con X, Ammann, Mecalac, Makinex, Smith Surface Prep, Small Line, Wanco, Yanmar

Diamond discs for 14 inch and 16 inch cut-off saw	Diamonddiscs
Diamond core bits	Diamondcorebits_AC
Augers for handheld and rig-mounted posthole borer	Augersforhandheld
COR 5	hyd_hh_cp_02699
COR 15	hyd_hh_cp_02700
LCD 500, LCD 1500	hyd_hh_ac_02258
Optional parts - Trigger, complete	hyd_hh_ac_02269
Optional parts - Trigger, complete	hyd_hh_ac_02279
Breaker and hammer AIR-OIL	no-illustration
Breaker and hammer AIR-OIL	no-illustration
Breaker and hammer AIR-OIL	no-illustration
Breaker and hammer AIR-OIL	no-illustration
Whip Check	Whipchec_AC

Go to Discount-Equipment.com to order your parts

Description	Blade size		Arbor hole diameter		Weight	Comments	Part number
	m	ft	mm	in	kg <sup>1)</sup>		
Concrete diamond disc	335	14	25.1	1	1.6	For wet and dry cutting. Cutting concrete and concrete reinforcement	1 3378 0050 57
	405	16	25.1	1	2.3	For wet and dry cutting. Cutting concrete and concrete reinforcement	1 3371 8097 27
Asphalt diamond disc	335	14	25.1	1	1.6	For wet and dry cutting. Cutting asphalt	2 3378 0050 58
	405	16	25.1	1	2.6	For wet and dry cutting. Cutting asphalt	2 3371 8097 26

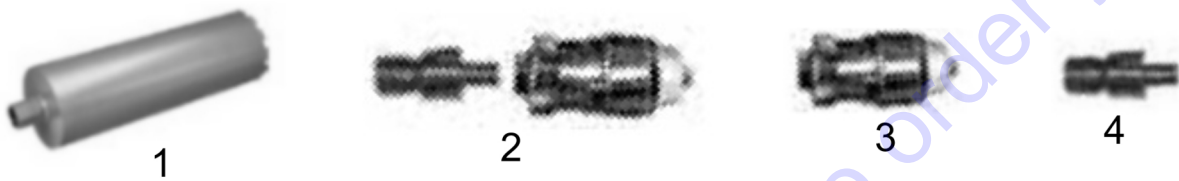


For tech. details check next page

Id	Qty	Number	Name	Specifications
1	1	3378005057	DIAMOND DISC 14" CONCRET	
1	1	3371809727	DIAMOND DISC 16" CONCRET	
2	1	3378005058	DIAMOND DISC 14" ASPHALT	
2	1	3371809726	DIAMOND DISC 16" ASPHALT	

Go to Discount-Equipment.com to order your parts

Description	Core bit size		Length		Weight	Comments	Part number
	mm	in	mm	in	kg <sup>1)</sup>		
Diamond core bit	Ø 62	Ø 2 <sup>7</sup> / <sub>16</sub>	450	18	1.7	Concrete, reinforced concrete and brickwork	1 3378 0050 61
	Ø 82	Ø 3 ¼	450	18	2.4	Concrete, reinforced concrete and brickwork	1 3378 0050 62
	Ø 102	Ø 4	450	18	3.2	Concrete, reinforced concrete and brickwork	1 3378 0050 63
	Ø 112	Ø 4 ¾	450	18	3.7	Concrete, reinforced concrete and brickwork	1 3378 0050 64
	Ø 132	Ø 5 ¼	450	18	4.6	Concrete, reinforced concrete and brickwork	1 3378 0050 65
	Ø 152	Ø 6	450	18	6.0	Concrete, reinforced concrete and brickwork	1 3378 0050 66
	Ø 162	Ø 6 ¾	450	18	6.3	Concrete, reinforced concrete and brickwork	1 3378 0050 67
	Ø 200	Ø 8	450	18	9.9	Concrete, reinforced concrete and brickwork	1 3378 0050 68
Chuck kit for drilling	-	-	100	4	0.4	Chuck 1.5 - 16 mm (0.06 - v.xx in) Adaptor (½ in BSP male to ½" UNF male)	2 3371 8077 68
Chuck	-	-	55	2.2	0.3	Chuck 1.5 - 16 mm (0.06 - x.xx in) ½" UNF female	3 3371 8077 66
Adaptor (For Chuck)	-	-	45	1.8	0.1	Adapter (½" BSP male to ½" UNF male)	4 3371 8077 67
Adaptor (Optional in USA and Canada)	-	-	45	1.8	0.1	Adaptor (½ in BSP male to 5/8" UNC male)	4 3371 8077 74
Adapter (Standard)	-	-	45	1.8	0.1	Adapter (½" BSP male to 1 ¼" UNC male)	4 3378 5120 64



SR Number	Parts number	Description	core bit size		Length		Weight
			mm	in	mm	in	
1	3378005061	Diamond core bit	∅ 62	∅ 27/16	450	18	1.7
1	3378005062	Diamond core bit	∅ 82	∅ 3 1/4	450	18	2.4
1	3378005063	Diamond core bit	∅ 102	∅ 4	450	18	3.2
1	3378005064	Diamond core bit	∅ 112	∅ 4 3/8	450	18	3.7
1	3378005065	Diamond core bit	∅ 132	∅ 5 1/4	450	18	4.6
1	3378005066	Diamond core bit	∅ 152	∅ 6	450	18	6
1	3378005067	Diamond core bit	∅ 162	∅ 6 3/8	450	18	6.3
1	3378005068	Diamond core bit	∅ 200	∅ 8	450	18	9.9
2	3371807768	Chuck kit for wood drilling	-	-	100	4	0.4
3	3371807766	Chuck 1.5 - 16 mm	-	-	55	2.2	0.3
4	3371807767	Adapter (1/2" bsp m to 1/2" unf m)	-	-	45	1.8	0.1
4	3371807774	Adapter (1/2" bsp m to 5/8" unc m)	-	-	45	1.8	0.1
4	3378512064	Adapter (1/2" bsp m to 1 1/4" unc m)	-	-	45	1.8	0.1

For tech. details check next page



Id	Qty	Number	Name	Specifications
1	1	3378005061	DIAMOND CORE BIT 62	
1	1	3378005062	DIAMOND CORE BIT 82	
1	1	3378005063	DIAMOND CORE BIT 102	
1	1	3378005064	DIAMOND CORE BIT 112	
1	1	3378005065	DIAMOND CORE BIT 132	
1	1	3378005066	DIAMOND CORE BIT 152	
1	1	3378005067	DIAMOND CORE BIT 162	
1	1	3378005068	DIAMOND CORE BIT 200	
2	1	3371807768	CHUCK KIT FOR WOOD DRILLING	
3	1	3371807766	CHUCK 1.5 - 16 MM	
4	1	3371807767	ADAPTOR	
4	1	3371807774	ADAPTOR 1/2 BSP MALE TO	
4	1	3378512064	ADAPTOR	

Go to Discount-Equipment.com to order your parts

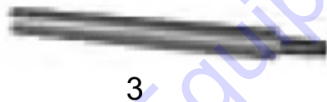
Description	Auger size		Length		Weight	Part number
	mm	in	mm	in	kg <sup>1)</sup>	
Auger	Ø 90	Ø 3 ½	870	34	7.0	1 3378 0050 45
	Ø 150	Ø 6	870	34	8.9	1 3378 0050 46
	Ø 200	Ø 8	870	34	10.5	1 3378 0050 44
	Ø 250	Ø 10	870	34	15.0	1 3378 0050 47
	Ø 280	Ø 11	870	34	17.2	1 3378 0050 49
	Ø 350	Ø 14	870	34	21.0	1 3378 0050 48
Bit incl. bolts	Ø 90	Ø 3 ½	-	-	0.2	2 3378 0999 28
	Ø 150	Ø 6	-	-	0.2	2 3378 0999 30
	Ø 200	Ø 8	-	-	0.3	2 3378 0999 31
	Ø 250	Ø 10	-	-	0.3	2 3378 0999 32
	Ø 280	Ø 11	-	-	0.4	2 3378 0999 33
	Ø 350	Ø 14	-	-	0.4	2 3378 0999 34
Extension rod	-	-	500	20	5.0	3 3378 0050 55
Tip for posthole borer universal	-	-	-	-	0.4	4 3378 0999 36



1



2



3

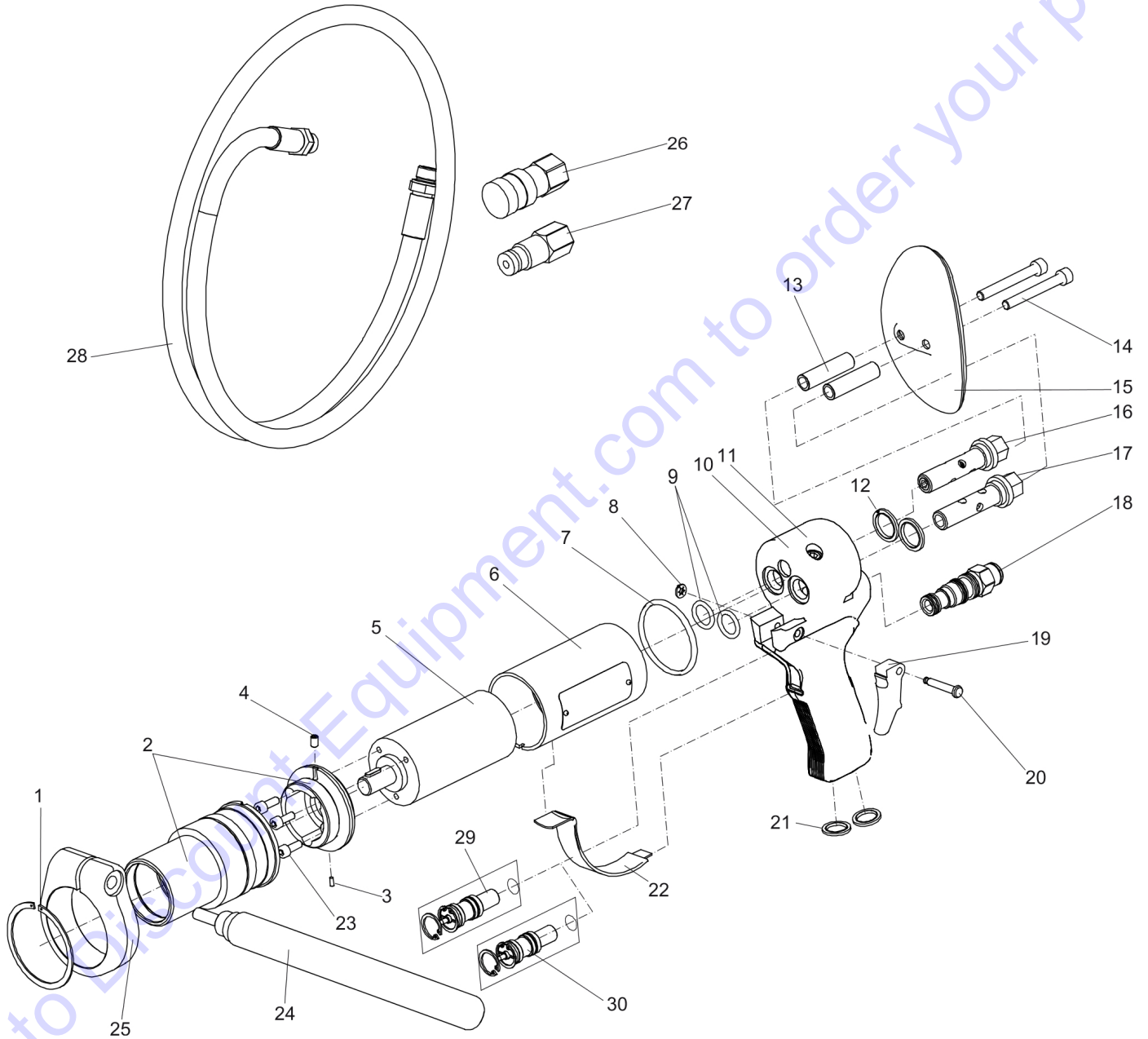


4

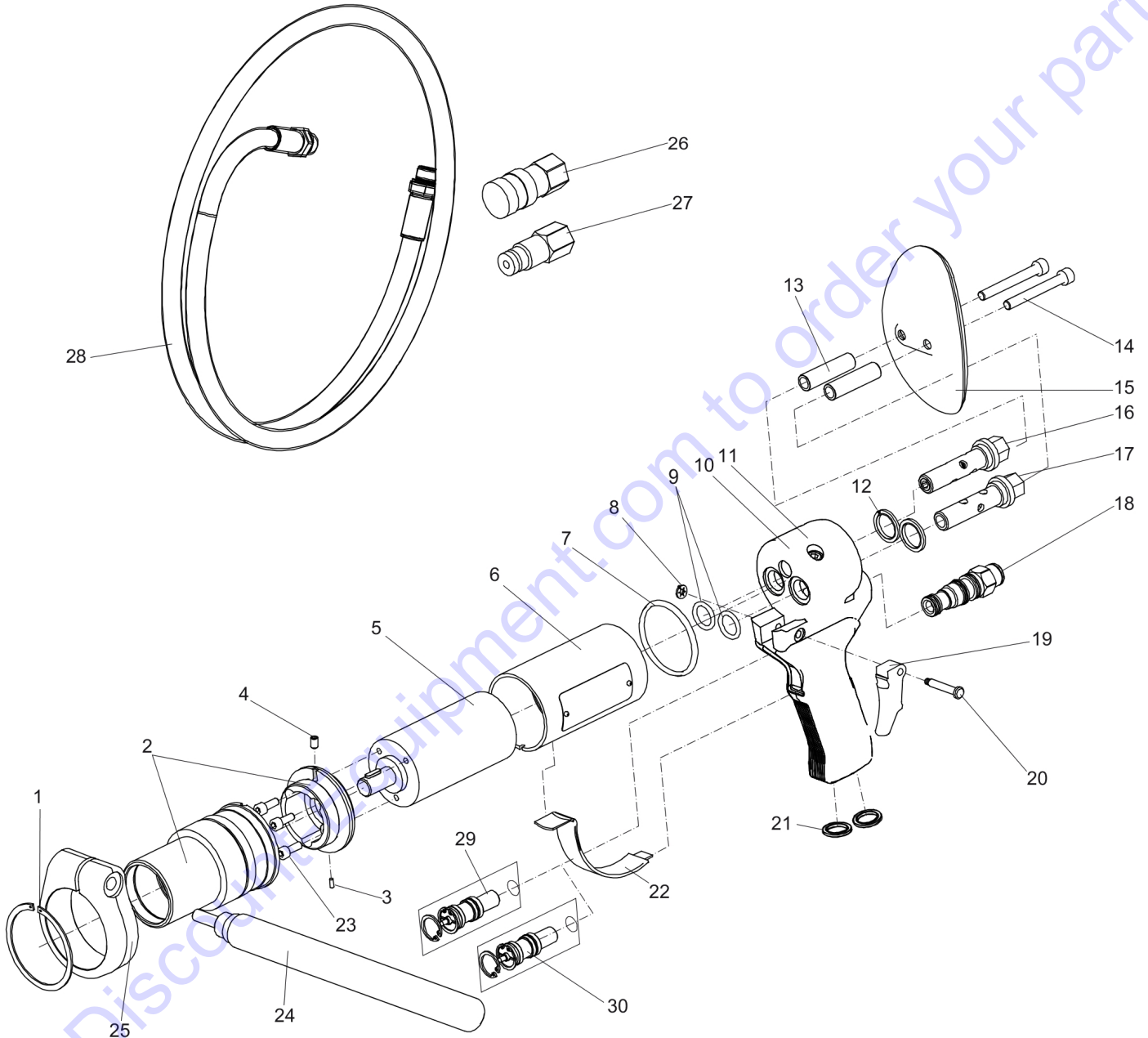
For tech. details check next page

<b>Id</b>	<b>Qty</b>	<b>Number</b>	<b>Name</b>	<b>Specifications</b>
1	1	3378005045	AUGER 90X870	
1	1	3378005046	AUGER 150X870	
1	1	3378005044	AUGER 200X870	
1	1	3378005047	AUGER 250X870	
1	1	3378005049	AUGER 280X870	
1	1	3378005048	AUGER 350X870	
2	1	3378099928	BIT 90 INCL. BOLTS	
2	1	3378099930	BIT 150 INCL. BOLTS	
2	1	3378099931	BIT 200 INCL. BOLTS	
2	1	3378099932	BIT 250 INCL. BOLTS	
2	1	3378099933	BIT 280 INCL. BOLTS	
2	1	3378099934	BIT 350 INCL. BOLTS	
3	1	3378005055	EXTENSION ROD 0.5 M	
4	1	3378099936	AUGER TIP (REPLACEMENT)	

Go to Discount-Equipment.com to order your parts

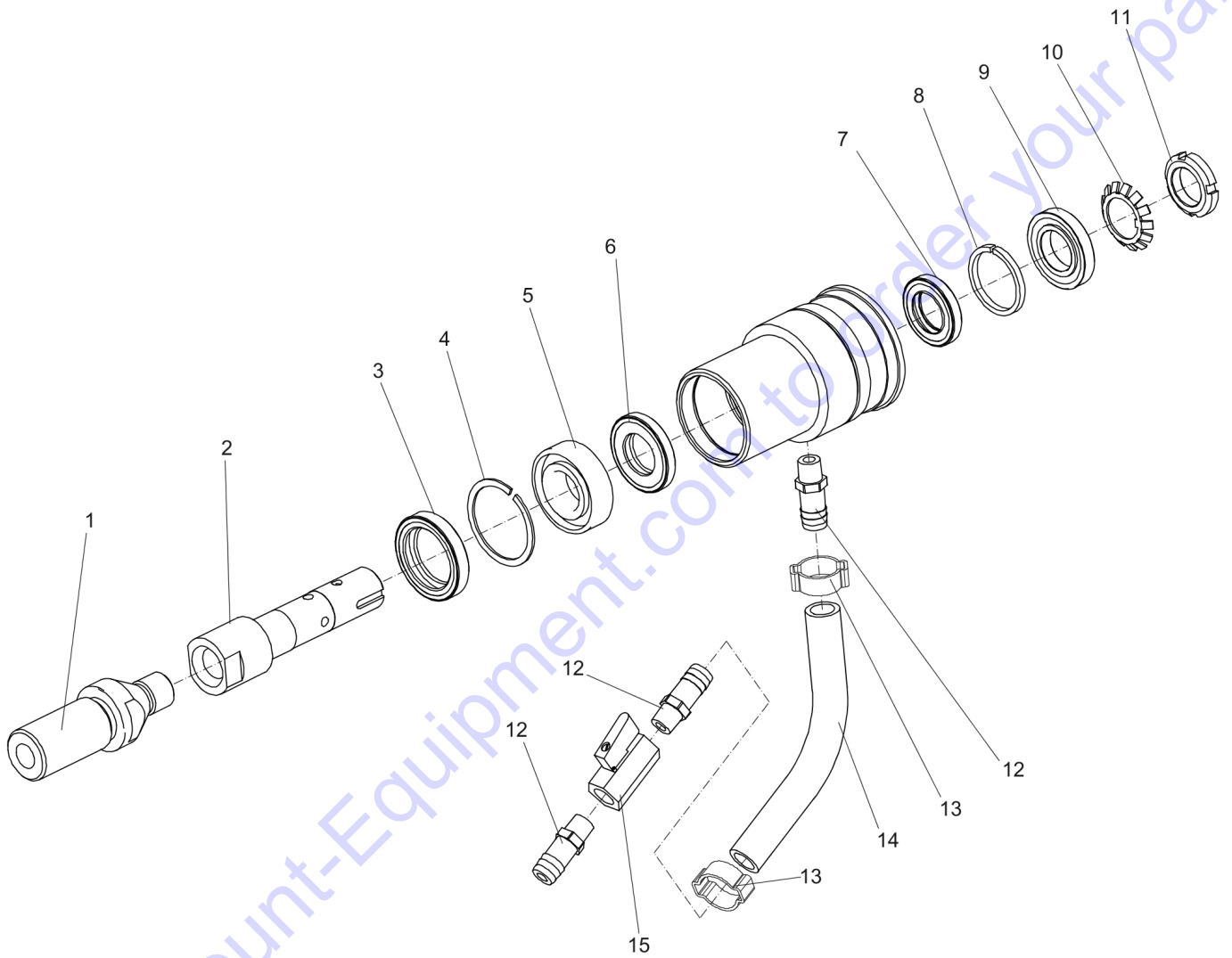


Id	Qty	Number	Name	Specifications
1	1	3378512023	CIRCLIP	
2	1	3376608002	BEARING HOUSING	
3	1	3378512280	TAPER PIN	
4	1	3377500718	SCREW M6X8	
5	1	3371817746	HYDRAULIC MOTOR	
6	1	3376608132	TUBE	
7	1	3378512279	O-RING	
8	1	3376608136	WASHER	
9	2	3378512035	O-RING	
10	1	3376608001	HANDLE	
11	1	3376608013	HANDLE, PLUGGED WITH COATING	
12	2	0661100039	SEAL WASHER M20	
13	2	3376608121	SPACER	
14	2	3378302508	Screw	
15	1	3376608007	BREAST PLATE COMPLETE	
16	1	3376608123	HOLLOW BOLT ASSY	
17	1	3376608111	HOLLOW BOLT	
18	1	3376100806	RELIEF VALVE	
19	1	3376608150	TRIGGER	
20	1	3376608134	PIN	
21	2	0661100040	WASH SEAL 14.76	
22	1	3376608006	BRACKET	
23	3	0211124600	SCREW	
24	1	3376608005	HANDLE	
25	1	3376608113	Handle ring	
26	1	3371805137	Q.R. coupling 06 female	
27	1	3371805138	Q.R. coupling 06 male	
28	1	3371803076	HOSE	
29	1	3376608003	Trigger complete	
30	1	3376608015	TRIGGER, COMPLETE	



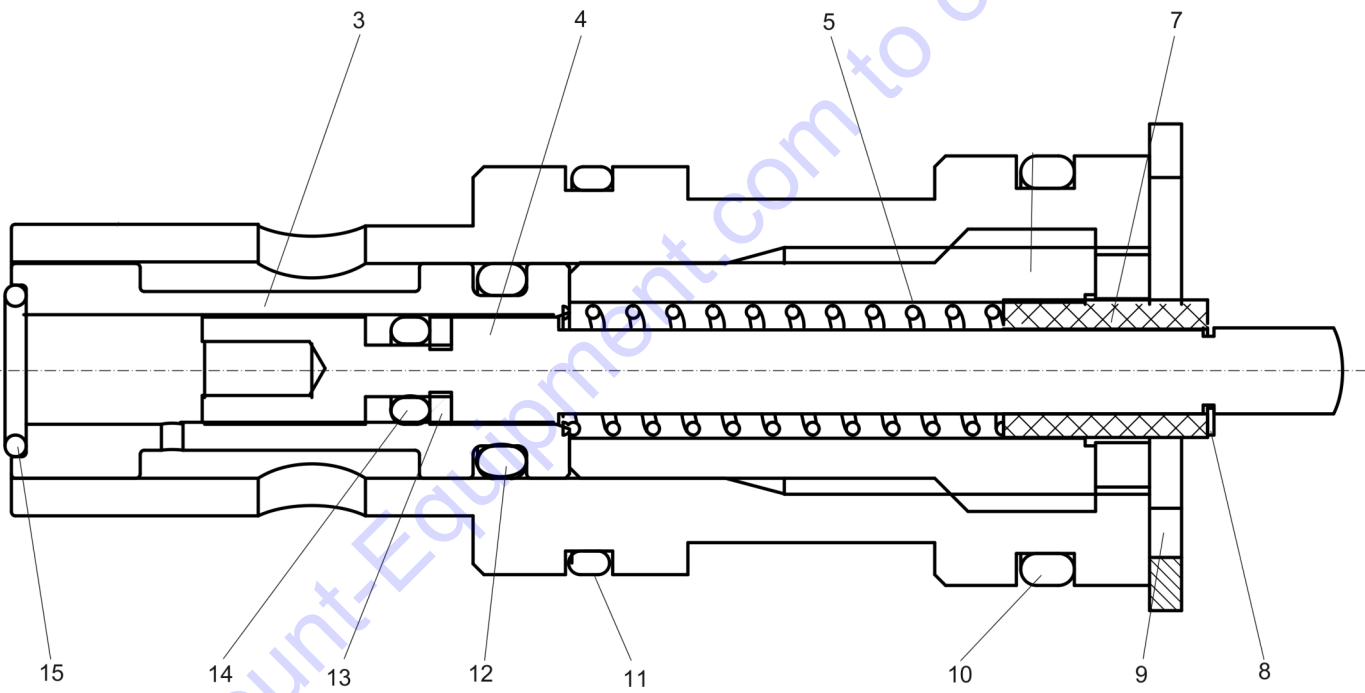
<b>Id</b>	<b>Qty</b>	<b>Number</b>	<b>Name</b>	<b>Specifications</b>
1	1	3378512023	CIRCLIP	
2	1	3376608002	BEARING HOUSING	
3	1	3378512280	TAPER PIN	
4	1	3377500718	SCREW M6X8	
5	1	3378512096	Motor	
6	1	3376608131	TUBE	
7	1	3378512279	O-RING	
8	1	3376608136	WASHER	
9	2	3378512035	O-RING	
10	1	3376608001	HANDLE	
11	1	3376608013	HANDLE, PLUGGED WITH COATING	
12	2	0661100039	SEAL WASHER M20	
13	2	3376608121	SPACER	
14	2	3378302508	Screw	
15	1	3376608007	BREAST PLATE COMPLETE	
16	1	3376608123	HOLLOW BOLT ASSY	
17	1	3376608111	HOLLOW BOLT	
18	1	3376100806	RELIEF VALVE	
19	1	3376608150	TRIGGER	
20	1	3376608134	PIN	
21	4	0661100040	WASH SEAL 14.76	
22	1	3376608006	BRACKET	
23	3	0211124600	SCREW	
24	1	3376608005	HANDLE	
25	1	3376608113	Handle ring	
26	1	3371805137	Q.R. coupling 06 female	
27	1	3371805138	Q.R. coupling 06 male	
28	2	3371803076	HOSE	
29	1	3376608003	Trigger complete	
30	1	3376608015	TRIGGER, COMPLETE	





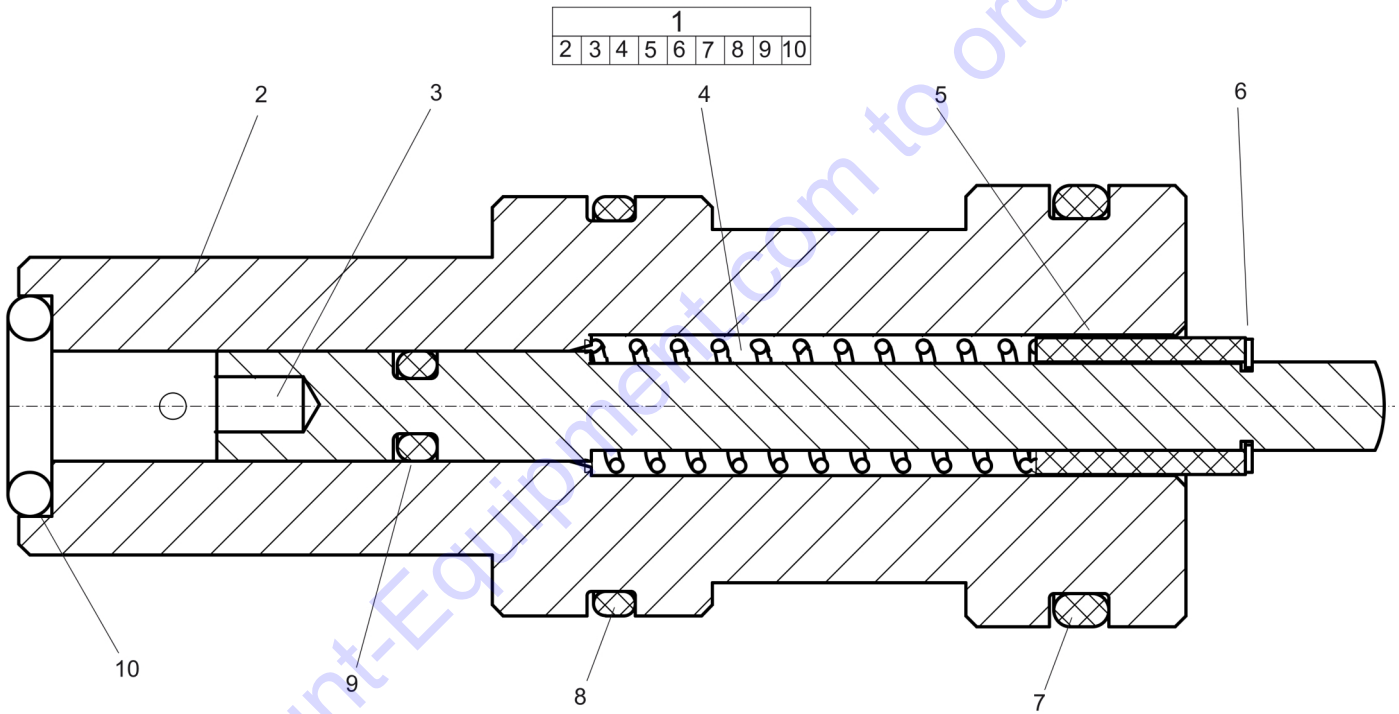
<b>Id</b>	<b>Qty</b>	<b>Number</b>	<b>Name</b>	<b>Specifications</b>
1	1	3378512064	ADAPTOR	
2	1	3378512272	SHAFT	
3	1	3376100721	DUST SEAL	
4	1	3378512021	RETAINER	
5	1	3378512017	BEARING	
6	1	3376100720	SHAFT SEAL	
7	1	3376100719	SHAFT SEAL	
8	1	3378512022	Spacer	
9	1	3378512018	BEARING	
10	1	3378512277	TAB WASHER	
11	1	3378512273	LOCK NUT	
12	3	3371809746	HOSE CONNECTION 04	
13	2	3371803770	HOSE CLAMP	
14	1	3376608160	WATER HOSE	
15	1	3378512058	BALL VALVE	

Go to Discount-Equipment.com to order your parts



<b>Id</b>	<b>Qty</b>	<b>Number</b>	<b>Name</b>	<b>Specifications</b>
2	1	3376608102	Trigger retainer	
3	1	3376608103	Valve housing	
4	1	3378512010	Spool	
5	1	3378512030	Spring	
6	1	3378512012	Guide	
7	1	3378512013	BEARING PTFE	
8	1	3378512063	CIRCLIP	
9	1	3376100810	CIRCLIP JS22	
10	1	3377000533	O-RING	
11	1	3371820726	O-RING 16X1.5	
12	1	3378512036	O-RING	
13	1	3378512047	STOP RING	
14	1	3378512037	O-RING	
15	1	3376100808	O-RING	

Go to Discount-Equipment.com to order your parts



<b>Id</b>	<b>Qty</b>	<b>Number</b>	<b>Name</b>	<b>Specifications</b>
2	1	3376608168	Trigger retainer	
3	1	3376608166	Spool	
4	1	3378512030	Spring	
5	1	3378512013	BEARING PTFE	
6	1	3378512063	CIRCLIP	
7	1	3377000533	O-RING	
8	1	3371820726	O-RING 16X1.5	
9	1	3378512037	O-RING	
10	1	3371817757	O-RING 6X2	

Go to Discount-Equipment.com to order your parts

NO EXPLODED VIEW  
AVAILABLE  
FOR THIS BOM

Go to Discount-Equipment.com to order your parts

<b>Id</b>	<b>Qty</b>	<b>Number</b>	<b>Name</b>	<b>Specifications</b>
20		0211136400	HEX SOCK. SCREW	
-	2	3371803075	HOSE 1.6 M	
-	1	3371805503	SEAL 8/14X3.5/5	
-	1	8461020853	TEX 3, 19x50	
-	2	3371803050	0.4 m 1/2" hose	
-	1	9030206900	Water flushing hose BBC/BBD/RH (PM)	
1	1	8099020240	Breaker and hammer AIR-OIL,0.25 l, 0.06 US gallon	
-	1		Vibration handle kit	
-	2	3121029200	NUT	
-	1	3371896061	LABEL	
-	2	0661100039	SEAL WASHER M20	
-	1	3378512072	DUST SEAL	
-	2	0661100027	WASHER-SEAL:M 21.5IDX28.5OD	
-	2	0663614100	O-RING	
22		3371820266	GUIDE SOCKET	
-	1	3371820702	O-RING 24X1.5	
-	1	3371814700	O-RING 8.3X2.4	
-	2	3111002000	PAWL	
-	2	3121034300	SIDEBOLT	
-	2	0663211400	O ring	
-	1	9030204300	HOSE	
-	2	0663211200	O-ring, 5.3 x 2.4 mm (70 shore), 0.21 x 0.09 in. (70 shore)	
-	2	3121087200	NUT	
19	1		Nut - Hexagon	
-	1		Nut - Hexagon	
2	1	8099020236	LUBRICATING OIL	
-	1	3371896062	LABEL	
-	4	3371820703	O-RING 18X2	
23		3371820267	SPOOL SOCKET	
-	1	3378512073	SHAFT SEAL	
-	1	3371805133	Q.R. coupling 08 female	
-	1	3371897166	Product model label	
-	1	0663212300	O-RING	
-	2	4950026400	DIAPHRAGME	
-	1	0663613400	O-ring NBR	
-	1	3371896097	ATLAS COPCO LOGO	
-	2		SIDE BOLT	
-	2	3111002300	SPRING	
-	1	3083322000	MOIL POINT	
20	1		Rod - Threaded	
-	1		Rod - Threaded	
-	2	0663212200	O-RING	
-	1	8202510205	LUBRICATOR BLG 30	
-	2	3121002100	PIN	
-	2		SIDE BOLT	



<b>Id</b>	<b>Qty</b>	<b>Number</b>	<b>Name</b>	<b>Specifications</b>
3	20	8099020281	Breaker and hammer AIR-OIL, 20 x 1 l	bottles (pack)
-	4	3378512086	O-RING	
-	2	3371897155	CP logo	
-	1	3371897082	PRODUCT LABEL "LPD-T"	
-	1	3371897165	Product model label	
-	1	3371805134	Q.R. coupling 08 male	
-	1	3330002200	SLID.O-RING	
-	2	3330008100	STOP	
-	1	3371820704	O-RING 30X2	
-	1	3371814701	Back-up ring	
-	1	3371896000	LABEL	
-	2		NUT	
-	4	0663212400	O-ring 17,3x2,4	
-	1	8202510239	CLG 30	
6	1		Gasket - governor housing	
-	2		Gasket - governor housing	
4	1	8099020202	Breaker and hammer air-oil 5l	
-	1	3083322200	NARROW CHISEL	
32		0603420010	NIPPLE	
-	2	0663212000	O-ring 13,3x2,4	
-	2	4090020100	Seal	
-	1	3371805733	PROTECTIVE CAP 1/2" FEMA	
-	1	3371897168	LABEL	
-	1	3371897083	PRODUCT LABEL "LPD-RV"	
-	2	3371897156	CP logo	
-	1	3371896113	Label	
-	1	3371897286	Product label	
33		3371818013	T-CONNECTION BSP 4.2	
-	1	0335350152	SNAP RING DIA12-DIA12.4	
-	1	3371897164	Product label	
-	1		O-RING	
7	1		O-RING	
5	4	8099020285	BREAKER AND HAMMER AIR-OIL	(4x5L)
-	1	8099020240	Breaker and hammer AIR-OIL,0.25 l,	0.06 US gallon
-	4	0211124401	SCREW	
-	2	0663212500	O-RING	
-	1	3371820705	O-RING 32X2	
-	6	0663614400	O-ring, 99.5 x 3.0 mm, 3.92 x 0.12 in.	
-	1	3371897080	Product label	
-	1	3371897304	Product label	
-	1	3371896006	Label	
-	1	3371805732	PROTECTIVE CAP 1/2" MALE	
34		3371818020	T-CONNECTION BSP 3.4	
-	1	3371897167	Product label	
-	1	3371897163	Product label	
-	1	3310120600	STORAGE BOX	

<b>Id</b>	<b>Qty</b>	<b>Number</b>	<b>Name</b>	<b>Specifications</b>
-	1	8092011082	VAM 5A WATER SEPARATOR	
-	1	3371820762	O-RING 25.12X1.78	
-	1		O-RING	
-	3	0663212700	O-RING	
-	1	0663212800	O-RING	
-	1	0663212600	O RING	
-	1	3371897081	Product label	
-	2	3371814703	O-RING 24.2X3	
-	1	3371897287	Product label	
-	1	3371897270	Label HBP	
-	1	3330002500	WASHER	
-	1		Pin - governor push	
-	3	0663213200	O-RING	
-	1	3371801087	7 m Twin extension hose	
-	2	0663613600	O-RING 59.5X3	
35		0603420010	NIPPLE	
-	1	0335350801	SNAP RING DIA 45	
-	1	3371820176	SEAL 32/40X6	
-	1	3371803052	7 m 1/2" hose	
-	4	0663614800	O-ring, 119.5 x 3.0 mm, 4.70 x 0.12 in.	
51		0211141000	HEX SOCK. SCREW M12X75-12.9	
-	2	3371814710	O-RING 33X2	
-	1		Pin - governor weight	
-	1	9030204100	RUBBER HOSE	
-	1	0663213500	O-RING	
-	1	0663212900	O-RING	
-	4	0211133000	SCREW M8X50 DIN 912 12.9 FZB	
-	1	0663614200	ORING ID 89.5MM	
-	2	0663213300	O-ring	
-	1	3106967000	PACKING	
58		3371817721	SCREW M10X20	
-	4	3330005700	VALVE SEAT	
-	1	3371820708	SEAL 32/45X7/10	
-	1	3371802109	Label	
-	1	3371896047	LABEL	
-	2	0663612000	O-ring, 13.1 x 1.6 mm (70 shore), 0.52 x 0.06 in. (70 shore)	
-	2	0663612900	O-RING	
-	1		Blade - rotor	
-	1	9000031300	CLAW COUPLING	
-	1	3371814709	SEAL RING 8,7/13X1	
-	2	3330000500	SEAL.WASHER	
-	1	3371896048	LABEL	
-	1	3106967500	WASHER	
-	4	3330005800	FLAP	
79		0211136300	Screw	
-	1	0663918400	O-ring	
-	1	9000019700	HOSE CLAMP	

<b>Id</b>	<b>Qty</b>	<b>Number</b>	<b>Name</b>	<b>Specifications</b>
-	1		O-RING	
-	1	3371815738	LOCKING RING	
-	1	0502222100	BALL BEARING	
-	1	3371802108	Label	
-	1	3371802107	Label	
-	1	3371814754	LOCKING RING 38	
-	2	0335351602	SNAP RING DIA8-DIA7.6	
-	1	0663613900	O RING	
-	1	3121001200	PACKING	
-	1	3000012100	RUBB.PACKING	
-	1		Gasket - seal plate	
-	1	0663614000	O-RING 79.5 X 3	
-	4	0101414000	Pin	
62		3377000432	ADAPTOR 08-06	
-	1	3330000400	WASHER	
-	4	0663215200	O-ring, 124.3 x 5.7 mm, 4.89 x 0.22 in.	
-	1	3371820700	SHIM PS 8X14X0.5	
-	1	3371802106	Label	
-	1	3121007200	RING	
-	1	3115098280	VALVE BODY	
-	1	9238270790	TEMPLATE	
-	1	3100964600	PACKING	
-	1		O-RING	
-	1	3371814748	O-RING 25X1.5	
-	1		Seal - oil	
-	1	3100965300	PACKING	
-	1	3000964600	Packing	
-	1	3371814749	O-RING 13X1.5	
-	1	3371802105	Label	
-	4	0147137202	Screw, M10 x 75 mm	
-	1	0504221700	Bearing	
70		0211136300	Screw	
-	1	0518125500	SEAL RING	
-	2	3371820706	O-RING 22X1.5	
-	1		BRAKERING	
-	1	3162097600	GASKET	
-	1	3121054500	PACKING	
-	2	3132017300	PACKING	
-	2	3371814750	O-RING 12X1.5	
-	1	3330002300	NUT	
-	1	3371814751	O-RING 69X1.5	
-	1	3371817757	O-RING 6X2	
-	1	3376100084	O-RING 8X2	
-	1	3371820718	SEAL RING 9/14X1	
-	1	3371820725	O-RING 82X1.5	
-	1	3371820726	O-RING 16X1.5	
-	1	3371820167	BACK-UP WASHER 32.7/45X	
-	1	3371820727	LOCKING RING	

NO EXPLODED VIEW  
AVAILABLE  
FOR THIS BOM

Go to [Discount-Equipment.com](https://Discount-Equipment.com) to order your parts

<b>Id</b>	<b>Qty</b>	<b>Number</b>	<b>Name</b>	<b>Specifications</b>
20		0211136400	HEX SOCK. SCREW	
-	2	3371803075	HOSE 1.6 M	
-	1	3371805503	SEAL 8/14X3.5/5	
-	1	8461020853	TEX 3, 19x50	
-	2	3371803050	0.4 m 1/2" hose	
-	1	9030206900	Water flushing hose BBC/BBD/RH (PM)	
1	1	8099020240	Breaker and hammer AIR-OIL,0.25 l, 0.06 US gallon	
-	1		Vibration handle kit	
-	2	3121029200	NUT	
-	1	3371896061	LABEL	
-	2	0661100039	SEAL WASHER M20	
-	1	3378512072	DUST SEAL	
-	2	0661100027	WASHER-SEAL:M 21.5IDX28.5OD	
-	2	0663614100	O-RING	
22		3371820266	GUIDE SOCKET	
-	1	3371820702	O-RING 24X1.5	
-	1	3371814700	O-RING 8.3X2.4	
-	2	3111002000	PAWL	
-	2	3121034300	SIDEBOLT	
-	2	0663211400	O ring	
-	1	9030204300	HOSE	
-	2	0663211200	O-ring, 5.3 x 2.4 mm (70 shore), 0.21 x 0.09 in. (70 shore)	
-	2	3121087200	NUT	
19	1		Nut - Hexagon	
-	1		Nut - Hexagon	
2	1	8099020236	LUBRICATING OIL	
-	1	3371896062	LABEL	
-	4	3371820703	O-RING 18X2	
23		3371820267	SPOOL SOCKET	
-	1	3378512073	SHAFT SEAL	
-	1	3371805133	Q.R. coupling 08 female	
-	1	3371897166	Product model label	
-	1	0663212300	O-RING	
-	2	4950026400	DIAPHRAGME	
-	1	0663613400	O-ring NBR	
-	1	3371896097	ATLAS COPCO LOGO	
-	2		SIDE BOLT	
-	2	3111002300	SPRING	
-	1	3083322000	MOIL POINT	
20	1		Rod - Threaded	
-	1		Rod - Threaded	
-	2	0663212200	O-RING	
-	1	8202510205	LUBRICATOR BLG 30	
-	2	3121002100	PIN	
-	2		SIDE BOLT	

<b>Id</b>	<b>Qty</b>	<b>Number</b>	<b>Name</b>	<b>Specifications</b>
3	20	8099020281	Breaker and hammer AIR-OIL, 20 x 1 l	bottles (pack)
-	4	3378512086	O-RING	
-	2	3371897155	CP logo	
-	1	3371897082	PRODUCT LABEL "LPD-T"	
-	1	3371897165	Product model label	
-	1	3371805134	Q.R. coupling 08 male	
-	1	3330002200	SLID.O-RING	
-	2	3330008100	STOP	
-	1	3371820704	O-RING 30X2	
-	1	3371814701	Back-up ring	
-	1	3371896000	LABEL	
-	2		NUT	
-	4	0663212400	O-ring 17,3x2,4	
-	1	8202510239	CLG 30	
6	1		Gasket - governor housing	
-	2		Gasket - governor housing	
4	1	8099020202	Breaker and hammer air-oil 5l	
-	1	3083322200	NARROW CHISEL	
32		0603420010	NIPPLE	
-	2	0663212000	O-ring 13,3x2,4	
-	2	4090020100	Seal	
-	1	3371805733	PROTECTIVE CAP 1/2" FEMA	
-	1	3371897168	LABEL	
-	1	3371897083	PRODUCT LABEL "LPD-RV"	
-	2	3371897156	CP logo	
-	1	3371896113	Label	
-	1	3371897286	Product label	
33		3371818013	T-CONNECTION BSP 4.2	
-	1	0335350152	SNAP RING DIA12-DIA12.4	
-	1	3371897164	Product label	
-	1		O-RING	
7	1		O-RING	
5	4	8099020285	BREAKER AND HAMMER AIR-OIL	(4x5L)
-	1	8099020240	Breaker and hammer AIR-OIL,0.25 l,	0.06 US gallon
-	4	0211124401	SCREW	
-	2	0663212500	O-RING	
-	1	3371820705	O-RING 32X2	
-	6	0663614400	O-ring, 99.5 x 3.0 mm, 3.92 x 0.12 in.	
-	1	3371897080	Product label	
-	1	3371897304	Product label	
-	1	3371896006	Label	
-	1	3371805732	PROTECTIVE CAP 1/2" MALE	
34		3371818020	T-CONNECTION BSP 3.4	
-	1	3371897167	Product label	
-	1	3371897163	Product label	
-	1	3310120600	STORAGE BOX	

Id	Qty	Number	Name	Specifications
-	1	8092011082	VAM 5A WATER SEPARATOR	
-	1	3371820762	O-RING 25.12X1.78	
-	1		O-RING	
-	3	0663212700	O-RING	
-	1	0663212800	O-RING	
-	1	0663212600	O RING	
-	1	3371897081	Product label	
-	2	3371814703	O-RING 24.2X3	
-	1	3371897287	Product label	
-	1	3371897270	Label HBP	
-	1	3330002500	WASHER	
-	1		Pin - governor push	
-	3	0663213200	O-RING	
-	1	3371801087	7 m Twin extension hose	
-	2	0663613600	O-RING 59.5X3	
35		0603420010	NIPPLE	
-	1	0335350801	SNAP RING DIA 45	
-	1	3371820176	SEAL 32/40X6	
-	1	3371803052	7 m 1/2" hose	
-	4	0663614800	O-ring, 119.5 x 3.0 mm, 4.70 x 0.12 in.	
51		0211141000	HEX SOCK. SCREW M12X75-12.9	
-	2	3371814710	O-RING 33X2	
-	1		Pin - governor weight	
-	1	9030204100	RUBBER HOSE	
-	1	0663213500	O-RING	
-	1	0663212900	O-RING	
-	4	0211133000	SCREW M8X50 DIN 912 12.9 FZB	
-	1	0663614200	ORING ID 89.5MM	
-	2	0663213300	O-ring	
-	1	3106967000	PACKING	
58		3371817721	SCREW M10X20	
-	4	3330005700	VALVE SEAT	
-	1	3371820708	SEAL 32/45X7/10	
-	1	3371802109	Label	
-	1	3371896047	LABEL	
-	2	0663612000	O-ring, 13.1 x 1.6 mm (70 shore), 0.52 x 0.06 in. (70 shore)	
-	2	0663612900	O-RING	
-	1		Blade - rotor	
-	1	9000031300	CLAW COUPLING	
-	1	3371814709	SEAL RING 8,7/13X1	
-	2	3330000500	SEAL.WASHER	
-	1	3371896048	LABEL	
-	1	3106967500	WASHER	
-	4	3330005800	FLAP	
79		0211136300	Screw	
-	1	0663918400	O-ring	
-	1	9000019700	HOSE CLAMP	

<b>Id</b>	<b>Qty</b>	<b>Number</b>	<b>Name</b>	<b>Specifications</b>
-	1		O-RING	
-	1	3371815738	LOCKING RING	
-	1	0502222100	BALL BEARING	
-	1	3371802108	Label	
-	1	3371802107	Label	
-	1	3371814754	LOCKING RING 38	
-	2	0335351602	SNAP RING DIA8-DIA7.6	
-	1	0663613900	O RING	
-	1	3121001200	PACKING	
-	1	3000012100	RUBB.PACKING	
-	1		Gasket - seal plate	
-	1	0663614000	O-RING 79.5 X 3	
-	4	0101414000	Pin	
62		3377000432	ADAPTOR 08-06	
-	1	3330000400	WASHER	
-	4	0663215200	O-ring, 124.3 x 5.7 mm, 4.89 x 0.22 in.	
-	1	3371820700	SHIM PS 8X14X0.5	
-	1	3371802106	Label	
-	1	3121007200	RING	
-	1	3115098280	VALVE BODY	
-	1	9238270790	TEMPLATE	
-	1	3100964600	PACKING	
-	1		O-RING	
-	1	3371814748	O-RING 25X1.5	
-	1		Seal - oil	
-	1	3100965300	PACKING	
-	1	3000964600	Packing	
-	1	3371814749	O-RING 13X1.5	
-	1	3371802105	Label	
-	4	0147137202	Screw, M10 x 75 mm	
-	1	0504221700	Bearing	
70		0211136300	Screw	
-	1	0518125500	SEAL RING	
-	2	3371820706	O-RING 22X1.5	
-	1		BRAKERING	
-	1	3162097600	GASKET	
-	1	3121054500	PACKING	
-	2	3132017300	PACKING	
-	2	3371814750	O-RING 12X1.5	
-	1	3330002300	NUT	
-	1	3371814751	O-RING 69X1.5	
-	1	3371817757	O-RING 6X2	
-	1	3376100084	O-RING 8X2	
-	1	3371820718	SEAL RING 9/14X1	
-	1	3371820725	O-RING 82X1.5	
-	1	3371820726	O-RING 16X1.5	
-	1	3371820167	BACK-UP WASHER 32.7/45X	
-	1	3371820727	LOCKING RING	



NO EXPLODED VIEW  
AVAILABLE  
FOR THIS BOM

Go to [Discount-Equipment.com](https://Discount-Equipment.com) to order your parts

<b>Id</b>	<b>Qty</b>	<b>Number</b>	<b>Name</b>	<b>Specifications</b>
20		0211136400	HEX SOCK. SCREW	
-	2	3371803075	HOSE 1.6 M	
-	1	3371805503	SEAL 8/14X3.5/5	
-	1	8461020853	TEX 3, 19x50	
-	2	3371803050	0.4 m 1/2" hose	
-	1	9030206900	Water flushing hose BBC/BBD/RH (PM)	
1	1	8099020240	Breaker and hammer AIR-OIL,0.25 l, 0.06 US gallon	
-	1		Vibration handle kit	
-	2	3121029200	NUT	
-	1	3371896061	LABEL	
-	2	0661100039	SEAL WASHER M20	
-	1	3378512072	DUST SEAL	
-	2	0661100027	WASHER-SEAL:M 21.5IDX28.5OD	
-	2	0663614100	O-RING	
22		3371820266	GUIDE SOCKET	
-	1	3371820702	O-RING 24X1.5	
-	1	3371814700	O-RING 8.3X2.4	
-	2	3111002000	PAWL	
-	2	3121034300	SIDEBOLT	
-	2	0663211400	O ring	
-	1	9030204300	HOSE	
-	2	0663211200	O-ring, 5.3 x 2.4 mm (70 shore), 0.21 x 0.09 in. (70 shore)	
-	2	3121087200	NUT	
19	1		Nut - Hexagon	
-	1		Nut - Hexagon	
2	1	8099020236	LUBRICATING OIL	
-	1	3371896062	LABEL	
-	4	3371820703	O-RING 18X2	
23		3371820267	SPOOL SOCKET	
-	1	3378512073	SHAFT SEAL	
-	1	3371805133	Q.R. coupling 08 female	
-	1	3371897166	Product model label	
-	1	0663212300	O-RING	
-	2	4950026400	DIAPHRAGME	
-	1	0663613400	O-ring NBR	
-	1	3371896097	ATLAS COPCO LOGO	
-	2		SIDE BOLT	
-	2	3111002300	SPRING	
-	1	3083322000	MOIL POINT	
20	1		Rod - Threaded	
-	1		Rod - Threaded	
-	2	0663212200	O-RING	
-	1	8202510205	LUBRICATOR BLG 30	
-	2	3121002100	PIN	
-	2		SIDE BOLT	

<b>Id</b>	<b>Qty</b>	<b>Number</b>	<b>Name</b>	<b>Specifications</b>
3	20	8099020281	Breaker and hammer AIR-OIL, 20 x 1 l	bottles (pack)
-	4	3378512086	O-RING	
-	2	3371897155	CP logo	
-	1	3371897082	PRODUCT LABEL "LPD-T"	
-	1	3371897165	Product model label	
-	1	3371805134	Q.R. coupling 08 male	
-	1	3330002200	SLID.O-RING	
-	2	3330008100	STOP	
-	1	3371820704	O-RING 30X2	
-	1	3371814701	Back-up ring	
-	1	3371896000	LABEL	
-	2		NUT	
-	4	0663212400	O-ring 17,3x2,4	
-	1	8202510239	CLG 30	
6	1		Gasket - governor housing	
-	2		Gasket - governor housing	
4	1	8099020202	Breaker and hammer air-oil 5l	
-	1	3083322200	NARROW CHISEL	
32		0603420010	NIPPLE	
-	2	0663212000	O-ring 13,3x2,4	
-	2	4090020100	Seal	
-	1	3371805733	PROTECTIVE CAP 1/2" FEMA	
-	1	3371897168	LABEL	
-	1	3371897083	PRODUCT LABEL "LPD-RV"	
-	2	3371897156	CP logo	
-	1	3371896113	Label	
-	1	3371897286	Product label	
33		3371818013	T-CONNECTION BSP 4.2	
-	1	0335350152	SNAP RING DIA12-DIA12.4	
-	1	3371897164	Product label	
-	1		O-RING	
7	1		O-RING	
5	4	8099020285	BREAKER AND HAMMER AIR-OIL	(4x5L)
-	1	8099020240	Breaker and hammer AIR-OIL,0.25 l,	0.06 US gallon
-	4	0211124401	SCREW	
-	2	0663212500	O-RING	
-	1	3371820705	O-RING 32X2	
-	6	0663614400	O-ring, 99.5 x 3.0 mm, 3.92 x 0.12 in.	
-	1	3371897080	Product label	
-	1	3371897304	Product label	
-	1	3371896006	Label	
-	1	3371805732	PROTECTIVE CAP 1/2" MALE	
34		3371818020	T-CONNECTION BSP 3.4	
-	1	3371897167	Product label	
-	1	3371897163	Product label	
-	1	3310120600	STORAGE BOX	

<b>Id</b>	<b>Qty</b>	<b>Number</b>	<b>Name</b>	<b>Specifications</b>
-	1	8092011082	VAM 5A WATER SEPARATOR	
-	1	3371820762	O-RING 25.12X1.78	
-	1		O-RING	
-	3	0663212700	O-RING	
-	1	0663212800	O-RING	
-	1	0663212600	O RING	
-	1	3371897081	Product label	
-	2	3371814703	O-RING 24.2X3	
-	1	3371897287	Product label	
-	1	3371897270	Label HBP	
-	1	3330002500	WASHER	
-	1		Pin - governor push	
-	3	0663213200	O-RING	
-	1	3371801087	7 m Twin extension hose	
-	2	0663613600	O-RING 59.5X3	
35		0603420010	NIPPLE	
-	1	0335350801	SNAP RING DIA 45	
-	1	3371820176	SEAL 32/40X6	
-	1	3371803052	7 m 1/2" hose	
-	4	0663614800	O-ring, 119.5 x 3.0 mm, 4.70 x 0.12 in.	
51		0211141000	HEX SOCK. SCREW M12X75-12.9	
-	2	3371814710	O-RING 33X2	
-	1		Pin - governor weight	
-	1	9030204100	RUBBER HOSE	
-	1	0663213500	O-RING	
-	1	0663212900	O-RING	
-	4	0211133000	SCREW M8X50 DIN 912 12.9 FZB	
-	1	0663614200	ORING ID 89.5MM	
-	2	0663213300	O-ring	
-	1	3106967000	PACKING	
58		3371817721	SCREW M10X20	
-	4	3330005700	VALVE SEAT	
-	1	3371820708	SEAL 32/45X7/10	
-	1	3371802109	Label	
-	1	3371896047	LABEL	
-	2	0663612000	O-ring, 13.1 x 1.6 mm (70 shore), 0.52 x 0.06 in. (70 shore)	
-	2	0663612900	O-RING	
-	1		Blade - rotor	
-	1	9000031300	CLAW COUPLING	
-	1	3371814709	SEAL RING 8,7/13X1	
-	2	3330000500	SEAL.WASHER	
-	1	3371896048	LABEL	
-	1	3106967500	WASHER	
-	4	3330005800	FLAP	
79		0211136300	Screw	
-	1	0663918400	O-ring	
-	1	9000019700	HOSE CLAMP	

<b>Id</b>	<b>Qty</b>	<b>Number</b>	<b>Name</b>	<b>Specifications</b>
-	1		O-RING	
-	1	3371815738	LOCKING RING	
-	1	0502222100	BALL BEARING	
-	1	3371802108	Label	
-	1	3371802107	Label	
-	1	3371814754	LOCKING RING 38	
-	2	0335351602	SNAP RING DIA8-DIA7.6	
-	1	0663613900	O RING	
-	1	3121001200	PACKING	
-	1	3000012100	RUBB.PACKING	
-	1		Gasket - seal plate	
-	1	0663614000	O-RING 79.5 X 3	
-	4	0101414000	Pin	
62		3377000432	ADAPTOR 08-06	
-	1	3330000400	WASHER	
-	4	0663215200	O-ring, 124.3 x 5.7 mm, 4.89 x 0.22 in.	
-	1	3371820700	SHIM PS 8X14X0.5	
-	1	3371802106	Label	
-	1	3121007200	RING	
-	1	3115098280	VALVE BODY	
-	1	9238270790	TEMPLATE	
-	1	3100964600	PACKING	
-	1		O-RING	
-	1	3371814748	O-RING 25X1.5	
-	1		Seal - oil	
-	1	3100965300	PACKING	
-	1	3000964600	Packing	
-	1	3371814749	O-RING 13X1.5	
-	1	3371802105	Label	
-	4	0147137202	Screw, M10 x 75 mm	
-	1	0504221700	Bearing	
70		0211136300	Screw	
-	1	0518125500	SEAL RING	
-	2	3371820706	O-RING 22X1.5	
-	1		BRAKERING	
-	1	3162097600	GASKET	
-	1	3121054500	PACKING	
-	2	3132017300	PACKING	
-	2	3371814750	O-RING 12X1.5	
-	1	3330002300	NUT	
-	1	3371814751	O-RING 69X1.5	
-	1	3371817757	O-RING 6X2	
-	1	3376100084	O-RING 8X2	
-	1	3371820718	SEAL RING 9/14X1	
-	1	3371820725	O-RING 82X1.5	
-	1	3371820726	O-RING 16X1.5	
-	1	3371820167	BACK-UP WASHER 32.7/45X	
-	1	3371820727	LOCKING RING	

NO EXPLODED VIEW  
AVAILABLE  
FOR THIS BOM

Go to [Discount-Equipment.com](https://Discount-Equipment.com) to order your parts

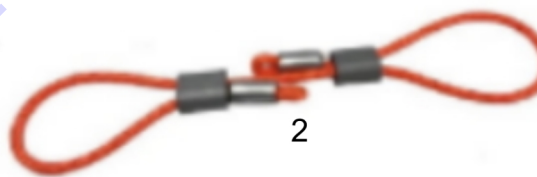
<b>Id</b>	<b>Qty</b>	<b>Number</b>	<b>Name</b>	<b>Specifications</b>
20		0211136400	HEX SOCK. SCREW	
-	2	3371803075	HOSE 1.6 M	
-	1	3371805503	SEAL 8/14X3.5/5	
-	1	8461020853	TEX 3, 19x50	
-	2	3371803050	0.4 m 1/2" hose	
-	1	9030206900	Water flushing hose BBC/BBD/RH (PM)	
1	1	8099020240	Breaker and hammer AIR-OIL,0.25 l, 0.06 US gallon	
-	1		Vibration handle kit	
-	2	3121029200	NUT	
-	1	3371896061	LABEL	
-	2	0661100039	SEAL WASHER M20	
-	1	3378512072	DUST SEAL	
-	2	0661100027	WASHER-SEAL:M 21.5IDX28.5OD	
-	2	0663614100	O-RING	
22		3371820266	GUIDE SOCKET	
-	1	3371820702	O-RING 24X1.5	
-	1	3371814700	O-RING 8.3X2.4	
-	2	3111002000	PAWL	
-	2	3121034300	SIDEBOLT	
-	2	0663211400	O ring	
-	1	9030204300	HOSE	
-	2	0663211200	O-ring, 5.3 x 2.4 mm (70 shore), 0.21 x 0.09 in. (70 shore)	
-	2	3121087200	NUT	
19	1		Nut - Hexagon	
-	1		Nut - Hexagon	
2	1	8099020236	LUBRICATING OIL	
-	1	3371896062	LABEL	
-	4	3371820703	O-RING 18X2	
23		3371820267	SPOOL SOCKET	
-	1	3378512073	SHAFT SEAL	
-	1	3371805133	Q.R. coupling 08 female	
-	1	3371897166	Product model label	
-	1	0663212300	O-RING	
-	2	4950026400	DIAPHRAGME	
-	1	0663613400	O-ring NBR	
-	1	3371896097	ATLAS COPCO LOGO	
-	2		SIDE BOLT	
-	2	3111002300	SPRING	
-	1	3083322000	MOIL POINT	
20	1		Rod - Threaded	
-	1		Rod - Threaded	
-	2	0663212200	O-RING	
-	1	8202510205	LUBRICATOR BLG 30	
-	2	3121002100	PIN	
-	2		SIDE BOLT	

<b>Id</b>	<b>Qty</b>	<b>Number</b>	<b>Name</b>	<b>Specifications</b>
3	20	8099020281	Breaker and hammer AIR-OIL, 20 x 1 l	bottles (pack)
-	4	3378512086	O-RING	
-	2	3371897155	CP logo	
-	1	3371897082	PRODUCT LABEL "LPD-T"	
-	1	3371897165	Product model label	
-	1	3371805134	Q.R. coupling 08 male	
-	1	3330002200	SLID.O-RING	
-	2	3330008100	STOP	
-	1	3371820704	O-RING 30X2	
-	1	3371814701	Back-up ring	
-	1	3371896000	LABEL	
-	2		NUT	
-	4	0663212400	O-ring 17,3x2,4	
-	1	8202510239	CLG 30	
6	1		Gasket - governor housing	
-	2		Gasket - governor housing	
4	1	8099020202	Breaker and hammer air-oil 5l	
-	1	3083322200	NARROW CHISEL	
32		0603420010	NIPPLE	
-	2	0663212000	O-ring 13,3x2,4	
-	2	4090020100	Seal	
-	1	3371805733	PROTECTIVE CAP 1/2" FEMA	
-	1	3371897168	LABEL	
-	1	3371897083	PRODUCT LABEL "LPD-RV"	
-	2	3371897156	CP logo	
-	1	3371896113	Label	
-	1	3371897286	Product label	
33		3371818013	T-CONNECTION BSP 4.2	
-	1	0335350152	SNAP RING DIA12-DIA12.4	
-	1	3371897164	Product label	
-	1		O-RING	
7	1		O-RING	
5	4	8099020285	BREAKER AND HAMMER AIR-OIL	(4x5L)
-	1	8099020240	Breaker and hammer AIR-OIL,0.25 l,	0.06 US gallon
-	4	0211124401	SCREW	
-	2	0663212500	O-RING	
-	1	3371820705	O-RING 32X2	
-	6	0663614400	O-ring, 99.5 x 3.0 mm, 3.92 x 0.12 in.	
-	1	3371897080	Product label	
-	1	3371897304	Product label	
-	1	3371896006	Label	
-	1	3371805732	PROTECTIVE CAP 1/2" MALE	
34		3371818020	T-CONNECTION BSP 3.4	
-	1	3371897167	Product label	
-	1	3371897163	Product label	
-	1	3310120600	STORAGE BOX	



<b>Id</b>	<b>Qty</b>	<b>Number</b>	<b>Name</b>	<b>Specifications</b>
-	1	8092011082	VAM 5A WATER SEPARATOR	
-	1	3371820762	O-RING 25.12X1.78	
-	1		O-RING	
-	3	0663212700	O-RING	
-	1	0663212800	O-RING	
-	1	0663212600	O RING	
-	1	3371897081	Product label	
-	2	3371814703	O-RING 24.2X3	
-	1	3371897287	Product label	
-	1	3371897270	Label HBP	
-	1	3330002500	WASHER	
-	1		Pin - governor push	
-	3	0663213200	O-RING	
-	1	3371801087	7 m Twin extension hose	
-	2	0663613600	O-RING 59.5X3	
35		0603420010	NIPPLE	
-	1	0335350801	SNAP RING DIA 45	
-	1	3371820176	SEAL 32/40X6	
-	1	3371803052	7 m 1/2" hose	
-	4	0663614800	O-ring, 119.5 x 3.0 mm, 4.70 x 0.12 in.	
51		0211141000	HEX SOCK. SCREW M12X75-12.9	
-	2	3371814710	O-RING 33X2	
-	1		Pin - governor weight	
-	1	9030204100	RUBBER HOSE	
-	1	0663213500	O-RING	
-	1	0663212900	O-RING	
-	4	0211133000	SCREW M8X50 DIN 912 12.9 FZB	
-	1	0663614200	ORING ID 89.5MM	
-	2	0663213300	O-ring	
-	1	3106967000	PACKING	
58		3371817721	SCREW M10X20	
-	4	3330005700	VALVE SEAT	
-	1	3371820708	SEAL 32/45X7/10	
-	1	3371802109	Label	
-	1	3371896047	LABEL	
-	2	0663612000	O-ring, 13.1 x 1.6 mm (70 shore), 0.52 x 0.06 in. (70 shore)	
-	2	0663612900	O-RING	
-	1		Blade - rotor	
-	1	9000031300	CLAW COUPLING	
-	1	3371814709	SEAL RING 8,7/13X1	
-	2	3330000500	SEAL.WASHER	
-	1	3371896048	LABEL	
-	1	3106967500	WASHER	
-	4	3330005800	FLAP	
79		0211136300	Screw	
-	1	0663918400	O-ring	
-	1	9000019700	HOSE CLAMP	

<b>Id</b>	<b>Qty</b>	<b>Number</b>	<b>Name</b>	<b>Specifications</b>
-	1		O-RING	
-	1	3371815738	LOCKING RING	
-	1	0502222100	BALL BEARING	
-	1	3371802108	Label	
-	1	3371802107	Label	
-	1	3371814754	LOCKING RING 38	
-	2	0335351602	SNAP RING DIA8-DIA7.6	
-	1	0663613900	O RING	
-	1	3121001200	PACKING	
-	1	3000012100	RUBB.PACKING	
-	1		Gasket - seal plate	
-	1	0663614000	O-RING 79.5 X 3	
-	4	0101414000	Pin	
62		3377000432	ADAPTOR 08-06	
-	1	3330000400	WASHER	
-	4	0663215200	O-ring, 124.3 x 5.7 mm, 4.89 x 0.22 in.	
-	1	3371820700	SHIM PS 8X14X0.5	
-	1	3371802106	Label	
-	1	3121007200	RING	
-	1	3115098280	VALVE BODY	
-	1	9238270790	TEMPLATE	
-	1	3100964600	PACKING	
-	1		O-RING	
-	1	3371814748	O-RING 25X1.5	
-	1		Seal - oil	
-	1	3100965300	PACKING	
-	1	3000964600	Packing	
-	1	3371814749	O-RING 13X1.5	
-	1	3371802105	Label	
-	4	0147137202	Screw, M10 x 75 mm	
-	1	0504221700	Bearing	
70		0211136300	Screw	
-	1	0518125500	SEAL RING	
-	2	3371820706	O-RING 22X1.5	
-	1		BRAKERING	
-	1	3162097600	GASKET	
-	1	3121054500	PACKING	
-	2	3132017300	PACKING	
-	2	3371814750	O-RING 12X1.5	
-	1	3330002300	NUT	
-	1	3371814751	O-RING 69X1.5	
-	1	3371817757	O-RING 6X2	
-	1	3376100084	O-RING 8X2	
-	1	3371820718	SEAL RING 9/14X1	
-	1	3371820725	O-RING 82X1.5	
-	1	3371820726	O-RING 16X1.5	
-	1	3371820167	BACK-UP WASHER 32.7/45X	
-	1	3371820727	LOCKING RING	



Go to Discount-Equipment.com to order your parts

Id	Qty	Number	Name	Specifications
1	1	3310101858	WHIP CHECK 1/2"-1.1/4",L=540mm	
1	1	3310101859	WHIP CHECK 1.1/2"-3",L=965mm	
1	1	3310101860	WHIP CHECK 3"-6",L=1150mm	
2	1	3310102546	WHIPCHECK PRO 1/2 - 4",L=500MM,BS=1000KG	

Go to Discount-Equipment.com to order your parts

# PARTS FINDER

**Search Website  
by Part Number**



**Search Manual  
Library For Parts  
Manual & Lookup Part  
Numbers – Purchase  
or Request Quote**

**Search Manuals**

Enter your information to search for a parts manual or lookup a part number.

\* Brand:

\* Model:

\* Serial:

\* Part Number:

SEARCH

**Can't Find Part or  
Manual? Request Help  
by Manufacturer,  
Model & Description**

**Parts Order Form**

Please fill in the following information:

Manufacturer:

Model:

Description:

Quantity:

Part Number:

Part Name:

Part Description:

Part Category:

Part Location:

Part Status:

Part Condition:

Part Material:

Part Color:

Part Weight:

Part Dimensions:

Part Notes:

Submit

Discount-Equipment.com is your online resource for quality parts & equipment.

Florida: **561-964-4949** Outside Florida TOLL FREE: **877-690-3101**

**Need parts?**

Click on this link: <http://www.discount-equipment.com/category/5443-parts/> and choose one of the options to help get the right parts and equipment you are looking for. Please have the machine model and serial number available in order to help us get you the correct parts. If you don't find the part on the website or on one of the online manuals, please fill out the request form and one of our experienced staff members will get back to you with a quote for the right part that your machine needs.

We sell worldwide for the brands: Genie, Terex, JLG, MultiQuip, Mikasa, Essick, Whiteman, Mayco, Toro Stone, Diamond Products, Generac Magnum, Airman, Haulotte, Barreto, Power Blanket, Nifty Lift, Atlas Copco, Chicago Pneumatic, Allmand, Miller Curber, Skyjack, Lull, Skytrak, Tsurumi, Husquvarna Target, Stow, Wacker, Sakai, Mi-T-M, Sullair, Basic, Dynapac, MBW, Weber, Bartell, Bennar Newman, Haulotte, Ditch Runner, Menegotti, Morrison, Contec, Buddy, Crown, Edco, Wyco, Bomag, Laymor, EZ Trench, Bil-Jax, F.S. Curtis, Gehl Pavers, Heli, Honda, ICS/PowerGrit, IHI, Partner, Imer, Clipper, MMD, Koshin, Rice, CH&E, General Equipment, Amida, Coleman, NAC, Gradall, Square Shooter, Kent, Stanley, Tamco, Toku, Hatz, Kohler, Robin, Wisconsin, Northrock, Oztec, Toker TK, Rol-Air, APT, Wylie, Ingersoll Rand / Doosan, Innovatech, Con X, Ammann, Mecalac, Makinex, Smith Surface Prep, Small Line, Wanco, Yanmar