



**Discount  
Equipment**

[www.discount-equipment.com](http://www.discount-equipment.com)

---

|                |  |
|----------------|--|
| Filter         | 9870031160,PUN 128555 - 222597   9870031160,PUN 223674 -   |
| Identity       | 9870031160   |
| Specifications | Product number: 1801354723, Product number: 1801354604, Product number: 1801354605, Product number: 1801354742, Product number: 1801354732, Division: Portable Air, Product group: Hydraulic handheld, Product type: Hydraulic hammers, Product: BRK 55 VR BSP 25x108, Product Company: Chakan |

# PARTS FINDER

**Search Website  
by Part Number**



**Search Manual  
Library For Parts  
Manual & Lookup Part  
Numbers – Purchase  
or Request Quote**

**Search Manuals**

Enter your information to help us find the right parts manual for your machine.

\* Brand:

\* Model:

\* Serial:

\* Part Number:

SEARCH

**Can't Find Part or  
Manual? Request Help  
by Manufacturer,  
Model & Description**

**Parts Order Form**

Please fill in the following information to help us find the right part for your machine.

|               |                      |
|---------------|----------------------|
| Manufacturer: | <input type="text"/> |
| Model:        | <input type="text"/> |
| Description:  | <input type="text"/> |
| Part Number:  | <input type="text"/> |
| Quantity:     | <input type="text"/> |
| Notes:        | <input type="text"/> |

Discount-Equipment.com is your online resource for quality parts & equipment.

Florida: **561-964-4949** Outside Florida TOLL FREE: **877-690-3101**

**Need parts?**

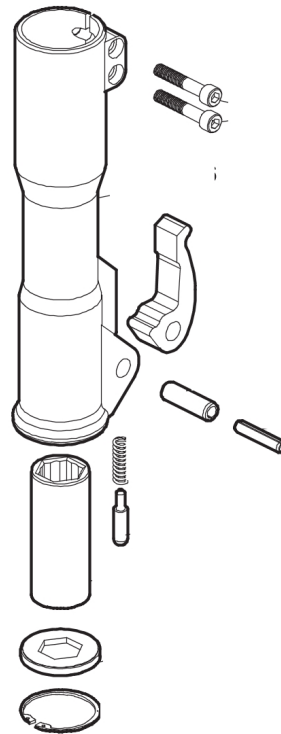
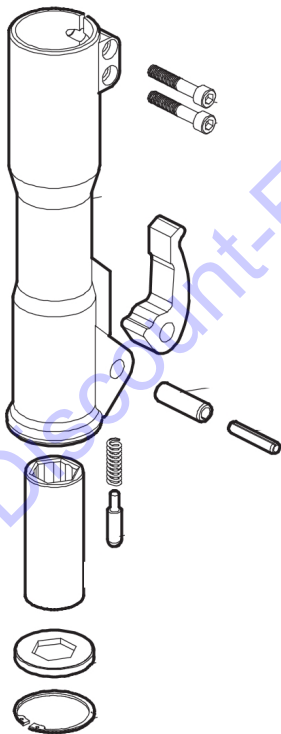
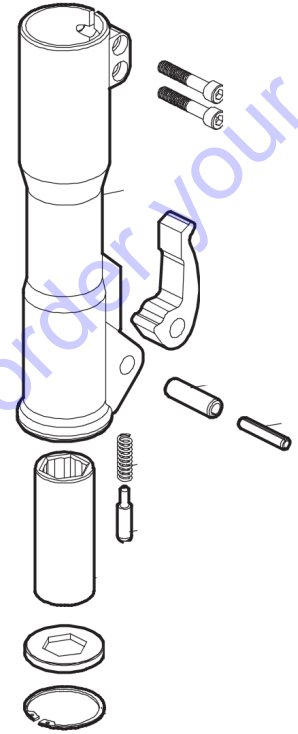
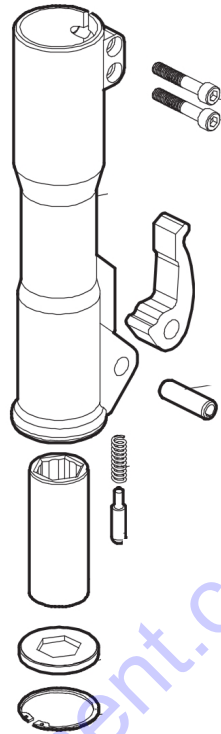
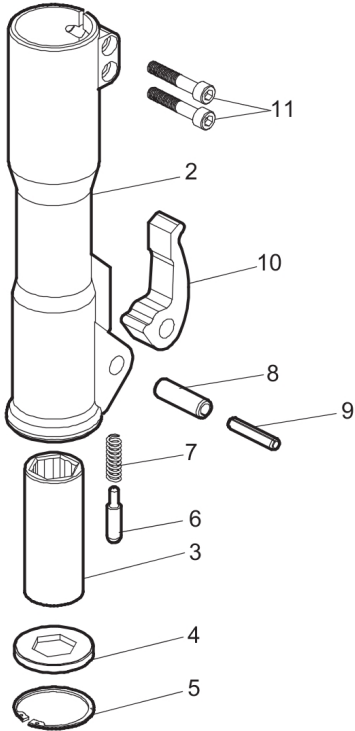
Click on this link: <http://www.discount-equipment.com/category/5443-parts/> and choose one of the options to help get the right parts and equipment you are looking for. Please have the machine model and serial number available in order to help us get you the correct parts. If you don't find the part on the website or on one of the online manuals, please fill out the request form and one of our experienced staff members will get back to you with a quote for the right part that your machine needs.

We sell worldwide for the brands: Genie, Terex, JLG, MultiQuip, Mikasa, Essick, Whiteman, Mayco, Toro Stone, Diamond Products, Generac Magnum, Airman, Haulotte, Barreto, Power Blanket, Nifty Lift, Atlas Copco, Chicago Pneumatic, Allmand, Miller Curber, Skyjack, Lull, Skytrak, Tsurumi, Husquvarna Target, Stow, Wacker, Sakai, Mi-T-M, Sullair, Basic, Dynapac, MBW, Weber, Bartell, Bennar Newman, Haulotte, Ditch Runner, Menegotti, Morrison, Contec, Buddy, Crown, Edco, Wyco, Bomag, Laymor, EZ Trench, Bil-Jax, F.S. Curtis, Gehl Pavers, Heli, Honda, ICS/PowerGrit, IHI, Partner, Imer, Clipper, MMD, Koshin, Rice, CH&E, General Equipment, Amida, Coleman, NAC, Gradall, Square Shooter, Kent, Stanley, Tamco, Toku, Hatz, Kohler, Robin, Wisconsin, Northrock, Oztec, Toker TK, Rol-Air, APT, Wylie, Ingersoll Rand / Doosan, Innovatech, Con X, Ammann, Mecalac, Makinex, Smith Surface Prep, Small Line, Wanco, Yanmar

|  |                       |
|--|-----------------------|
| Nose parts   | hhh_cp_brk_1801354723 |
| BRK 55, 55 VR  | Expl_view_BRK 55      |
| Handle standard  | hhh_cp_brk_02351      |
| VR-handle  | hhh_cp_brk_02323      |
| Working tools 25 x 108 mm (Hex. 1 x 4 1/4 in) flat to flat (US)  | Workingtools25x108US  |
| Working tools 25 x 108 mm (Hex.1 x 4 1/4 in) Point to Flat (ISO) | Workingtools25x108iso |
| Breaker and hammer AIR-OIL                                       | no-illustration       |
| Breaker and hammer AIR-OIL                                       | no-illustration       |
| Seal kit   |                       |
| Trigger valve kit  | hhh_cp_brk_02292      |
| Accumulator kit  | hhh_cp_brk_02589      |
| Accumulator repair kit   | APP                   |
| Hydraulic hoses  | Hydraulichoses        |
| Hydraulic twin hoses   | Hydraulictwinhoses_CP |
| Whip Check   | Whipchec_AC           |

Go to Discount-Equipment.com to order your parts

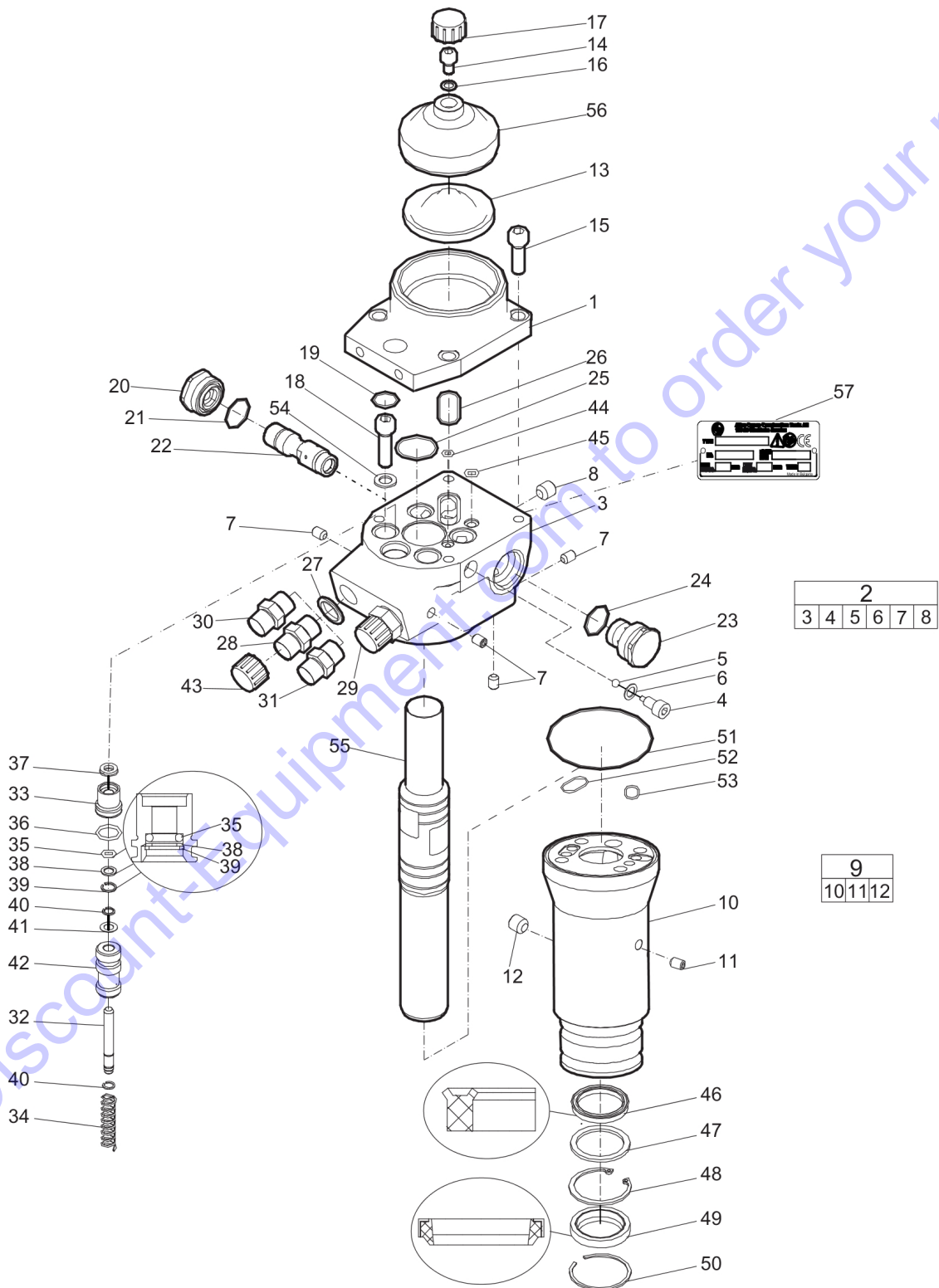
|   |   |   |   |   |   |   |   |    |    |  |  |
|---|---|---|---|---|---|---|---|----|----|--|--|
|   |   |   |   |   | 1 |   |   |    |    |  |  |
| 2 | 3 | 4 | 5 | 6 | 7 | 8 | 9 | 10 | 11 |  |  |



Go to Descant-Equipment.com to order your parts

| Id | Qty | Number     | Name                    | Specifications |
|----|-----|------------|-------------------------|----------------|
| 2  | 1   | --         | Paroil E                |                |
| 2  | 1   |            | Nose part               |                |
| 3  | 1   | 3371820191 | BUSHING HEX 25X108      |                |
| 4  | 1   | 3371820193 | chisel bellows hex 25   |                |
| 5  | 1   | 0335210208 | CIRCLIP FOR BORING 57X2 |                |
| 6  | 1   | 3371802073 | LOCK PIN                |                |
| 7  | 1   | 3371802075 | spring                  |                |
| 8  | 1   | 0108151900 | PIN SPRING              |                |
| 9  | 1   | 3371815731 | Roll pin ø10x50         |                |
| 10 | 1   | 3371820145 | LATCH                   |                |
| 11 | 2   | 3371814724 | SCREW M10X55            |                |

Go to Discount-Equipment.com to order your parts



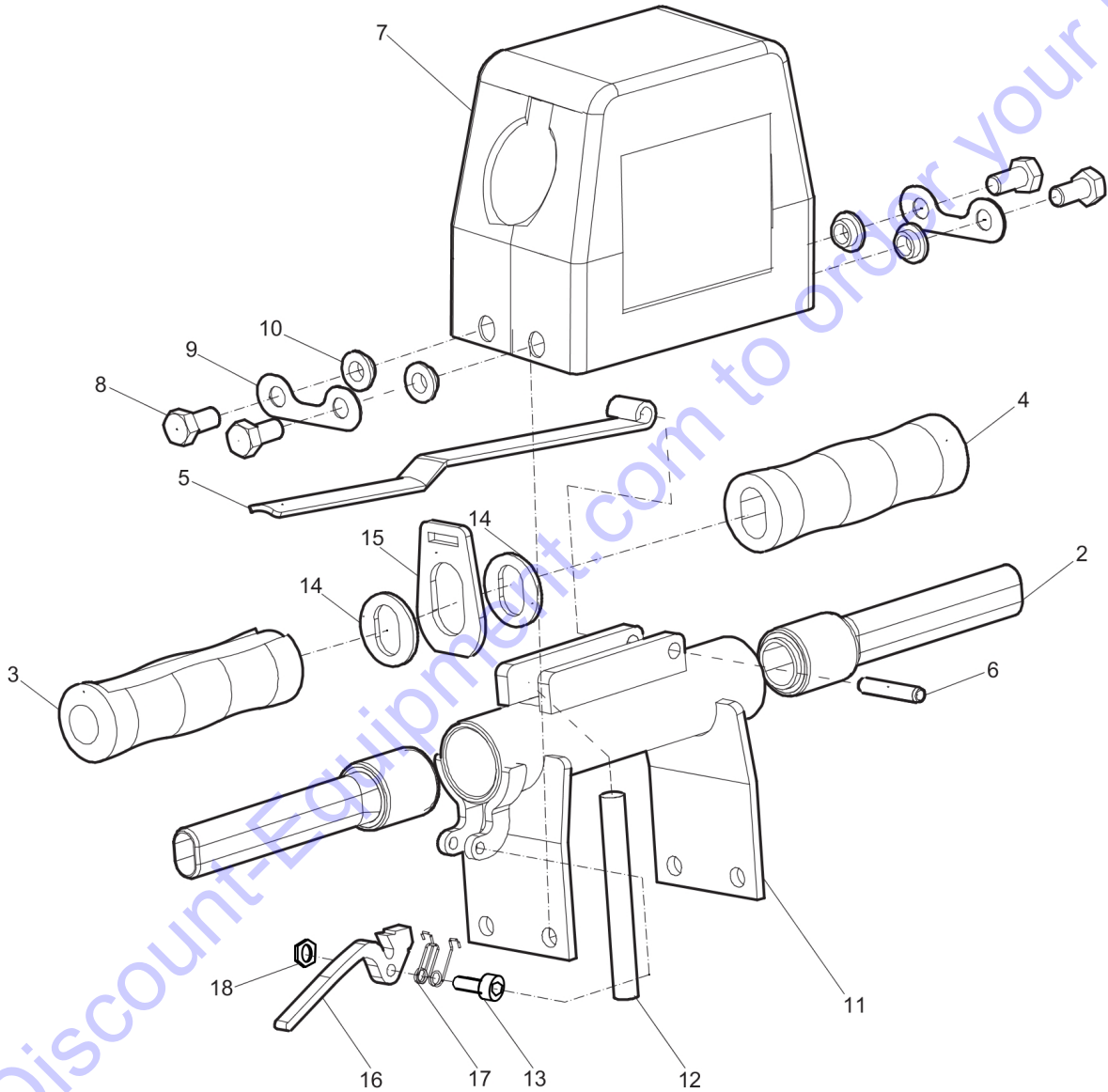
| <b>Id</b> | <b>Qty</b> | <b>Number</b> | <b>Name</b>                | <b>Specifications</b> |
|-----------|------------|---------------|----------------------------|-----------------------|
| 1         | 1          | 3371820101    | ACCUMULATOR BODY           |                       |
| 2         | 1          | 3371820088    | Valve housing              |                       |
| 3         | 1          |               | Valve housing              |                       |
| 4         | 1          | 3371820115    | SCREW                      |                       |
| 5         | 1          | 0517110900    | Ball                       |                       |
| 6         | 1          | 3371820718    | SEAL RING 9/14X1           |                       |
| 7         | 5          | 0686612600    | PLUG                       |                       |
| 8         | 2          | 0686612800    | PLUG                       |                       |
| 9         | 1          | 3371820052    | CYLINDER                   |                       |
| 10        | 1          |               | Cylinder                   |                       |
| 11        | 1          | 0686612600    | PLUG                       |                       |
| 12        | 1          | 0686612800    | PLUG                       |                       |
| 13        | 1          | 3371814052    | Diaphragm                  |                       |
| 14        | 1          | 3371813103    | Charging screw             |                       |
| 15        | 4          | 0211136300    | Screw                      |                       |
| 16        | 1          | 3371814709    | SEAL RING 8,7/13X1         |                       |
| 17        | 1          | 3371813710    | PROTECTIVE CAP M24X1.5     |                       |
| 18        | 4          | 0211136400    | HEX SOCK. SCREW            |                       |
| 19        | 4          | 3371820703    | O-RING 18X2                |                       |
| 20        | 1          | 3371820267    | SPOOL SOCKET               |                       |
| 21        | 1          | 3371820702    | O-RING 24X1.5              |                       |
| 22        | 1          | 3371820269    | SPOOL                      |                       |
| 23        | 1          | 3371820266    | GUIDE SOCKET               |                       |
| 24        | 1          | 3371820762    | O-RING 25.12X1.78          |                       |
| 25        | 1          | 3371820704    | O-RING 30X2                |                       |
| 26        | 1          | 3371820705    | O-RING 32X2                |                       |
| 27        | 2          | 0661100039    | SEALING WASHER 21.54X28.58 |                       |
| 28        | 1          | 0603420010    | NIPLE G1/2"                |                       |
| 29        | 1          | 0603420010    | NIPLE G1/2"                |                       |
| 30        | 1          | 3371818020    | T-CONNECTION BSP 3.4       |                       |
| 31        | 1          | 3371818013    | T-CONNECTION BSP 4.2       |                       |
| 32        | 1          | 3371820136    | TRIGGER ROD                |                       |
| 33        | 1          | 3371814120    | PACKING GLAND              |                       |
| 34        | 1          | 3371820137    | SPRING                     |                       |
| 35        | 1          | 3371814700    | O-RING 8.3X2.4             |                       |
| 36        | 1          | 0663212300    | O-RING                     |                       |
| 37        | 1          | 3371805503    | SEAL 8/14X3.5/5            |                       |
| 38        | 1          | 3371814701    | Back-up ring               |                       |
| 39        | 1          | 0335350152    | SNAP RING DIA12-DIA12.4    |                       |
| 40        | 2          | 0335351602    | SNAP RING DIA8-DIA7.6      |                       |
| 41        | 1          | 3371820700    | SHIM PS 8X14X0.5           |                       |
| 42        | 1          | 3371820108    | TRIGGER SPOOL              |                       |
| 43        | 2          | 3371813709    | PROTECTIVE CAP 1/2"        |                       |
| 44        | 1          | 3371817757    | O-RING 6X2                 |                       |
| 45        | 1          | 3376100084    | O-RING 8X2                 |                       |
| 46        | 1          | 3371820176    | SEAL 32/40X6               |                       |
| 47        | 1          | 3371820167    | BACK-UP WASHER 32.7/45X    |                       |
| 48        | 1          | 3371820727    | LOCKING RING               |                       |

| <b>Id</b> | <b>Qty</b> | <b>Number</b> | <b>Name</b>                           | <b>Specifications</b> |
|-----------|------------|---------------|---------------------------------------|-----------------------|
| 49        | 1          | 3371820708    | SEAL 32/45X7/10                       |                       |
| 50        | 1          | 0335350801    | SNAP RING DIA 45                      |                       |
| 51        | 1          | 3371820725    | O-RING 82X1.5                         |                       |
| 52        | 1          | 3371820726    | O-RING 16X1.5                         |                       |
| 53        | 1          | 3371814749    | O-RING 13X1.5                         |                       |
| 54        | 4          | 3371815735    | Back-up washer                        |                       |
| 55        | 1          | 3371820107    | STRIKING PISTON                       |                       |
| 56        | 1          | 3371814102    | ACCUMULATOR COVER                     |                       |
| 57        | 1          |               | Data plate (Not available separately) |                       |

Go to Discount-Equipment.com to order your parts



|   |   |   |   |   |   |   |   |    |    |    |    |    |    |    |    |    |  |
|---|---|---|---|---|---|---|---|----|----|----|----|----|----|----|----|----|--|
| 1 |   |   |   |   |   |   |   |    |    |    |    |    |    |    |    |    |  |
| 2 | 3 | 4 | 5 | 6 | 7 | 8 | 9 | 10 | 11 | 12 | 13 | 14 | 15 | 16 | 17 | 18 |  |

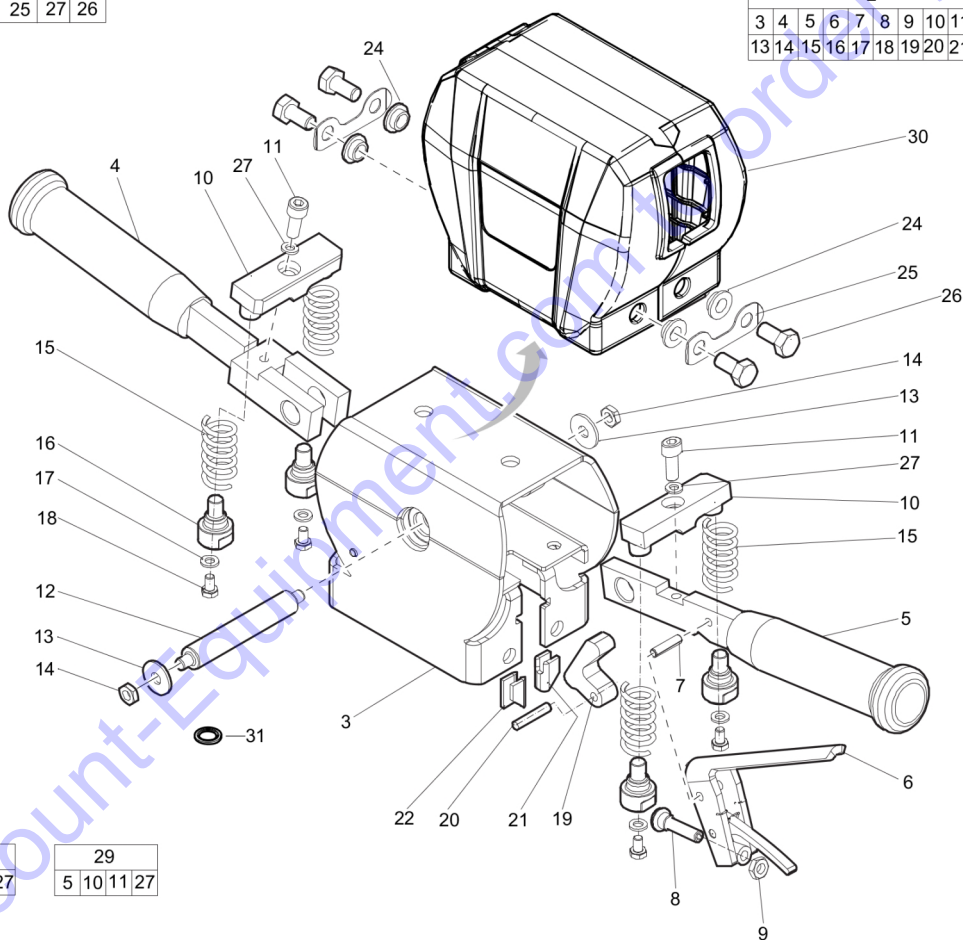


| <b>Id</b> | <b>Qty</b> | <b>Number</b> | <b>Name</b>                          | <b>Specifications</b> |
|-----------|------------|---------------|--------------------------------------|-----------------------|
| 1         | 1          | 3371820045    | S-HANDLE W/COVER                     |                       |
| 2         | 2          | 3371820204    | HANDLE STANDARD                      |                       |
| 3         | 1          | 3371820135    | RUBBER HANDLE                        |                       |
| 4         | 1          | 3371820134    | RUBBER HANDLE                        |                       |
| 5         | 1          | 3371820238    | Trigger Standard                     |                       |
| 6         | 1          | 0108136100    | Roll pin Ø 0.31 x 1.6 in.Ø 8 x 40 mm |                       |
| 7         | 1          | 3371820041    | TOP COVER                            |                       |
| 8         | 4          | 0147136003    | PARAF M10X20 DIN933 8.8 FZB          |                       |
| 9         | 2          | 3371815131    | NAB                                  |                       |
| 10        | 4          | 3371824291    | DISTANCE WASHER                      |                       |
| 11        | 1          | 3371820203    | BRACKET F/STANDARD HANDL             |                       |
| 12        | 1          | 3371820207    | Nylon guide                          |                       |
| 13        | 1          | 3378206044    | Cap screw                            |                       |
| 14        | 2          | 0300013062    | WASHER NYLON 21 37X3                 |                       |
| 15        | 1          | 3371820237    | LOCK PLATE                           |                       |
| 16        | 1          | 3371820236    | SAFETY TRIGGER                       |                       |
| 17        | 1          | 3371820152    | Spring                               |                       |
| 18        | 1          | 3371814716    | Nut M6                               |                       |

Go to Discount-Equipment.com to order your parts

|   |    |    |    |    |
|---|----|----|----|----|
| 1 |    |    |    |    |
| 2 | 24 | 25 | 27 | 26 |

|    |    |    |    |    |    |    |    |    |    |    |    |
|----|----|----|----|----|----|----|----|----|----|----|----|
| 2  |    |    |    |    |    |    |    |    |    |    |    |
| 3  | 4  | 5  | 6  | 7  | 8  | 9  | 10 | 11 | 12 | 13 | 14 |
| 15 | 16 | 17 | 18 | 19 | 20 | 21 | 22 |    |    |    |    |

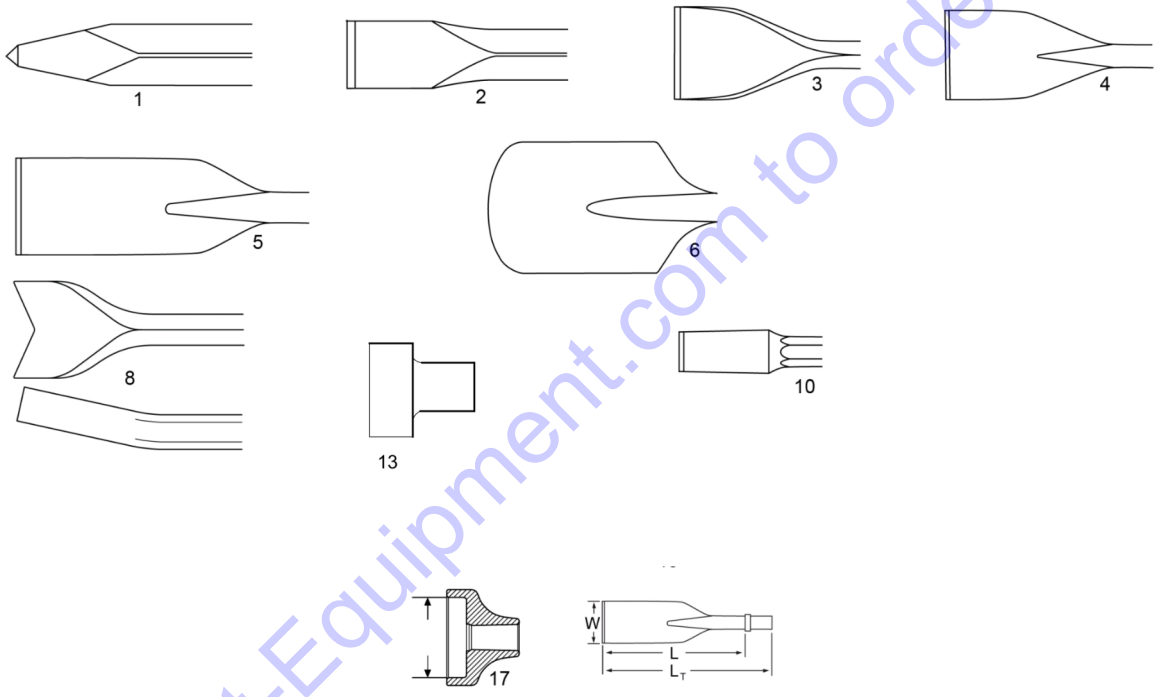


|    |    |    |    |
|----|----|----|----|
| 28 |    |    |    |
| 4  | 10 | 11 | 27 |

|    |    |    |    |
|----|----|----|----|
| 29 |    |    |    |
| 5  | 10 | 11 | 27 |

| <b>Id</b> | <b>Qty</b> | <b>Number</b> | <b>Name</b>                       | <b>Specifications</b> |
|-----------|------------|---------------|-----------------------------------|-----------------------|
| 1         | 1          | 3371821224    | E-HANDLE COMPLETE                 |                       |
| 2         | 1          | 3371821065    | E-HANDLE W/O COVER                |                       |
| 3         | 1          | 3371821205    | FRAME                             |                       |
| 4         | 1          | 3371821173    | HANDLE LEFT                       |                       |
| 5         | 1          | 3371821172    | Handle right                      |                       |
| 6         | 1          | 3371821200    | TRIGGER LEVER                     |                       |
| 7         | 1          | 0108132600    | PIN                               |                       |
| 8         | 1          | 3371821068    | THRUST PAD                        |                       |
| 9         | 1          | 3371820722    | Nut M8                            |                       |
| 10        | 2          | 3371821177    | STOPPER                           |                       |
| 11        | 2          | 0211132503    | SCREW:M 8X 25;SOC HD,ZN PLT,\$S   |                       |
| 12        | 1          | 3371821184    | PIN                               |                       |
| 13        | 2          | 0300801900    | WASHER-FLAT:M 8.40/25.0X2.0T      |                       |
| 14        | 2          | 3371820722    | Nut M8                            |                       |
| 15        | 4          | 3371821178    | SPRING                            |                       |
| 16        | 4          | 3371821175    | SPRING GUIDE                      |                       |
| 17        | 4          | 0300013009    | PLAIN WASHER                      |                       |
| 18        | 4          | 3371817724    | Screw M6x10                       |                       |
| 19        | 1          | 3371821176    | TRIGGER PAWL                      |                       |
| 20        | 1          | 0101231155    | PIN D6m6 L30                      |                       |
| 21        | 1          | 3371820147    | PIN LATCH RIGHT                   |                       |
| 22        | 1          | 3371820148    | PIN LATCH LEFT                    |                       |
| 24        | 4          | 3371824291    | DISTANCE WASHER                   |                       |
| 25        | 2          | 3371815131    | NAB                               |                       |
| 26        | 4          | 3378034102    | SCREW M10X25 BOLT                 |                       |
| 27        | 2          | 3315019504    | LOCK WASHER                       |                       |
| 28        |            | 3371821291    | V-HANDLE COMPLETE (FORK SIDE)     |                       |
| 29        |            | 3371821290    | V-HANDLE COMPLETE (TRIGGER<br>SID |                       |
| 30        | 1          | 3371824282    | COVER                             |                       |
| 31        | 4          | 0661100027    | WASHER-SEAL:M 21.5IDX28.5OD       |                       |

| Description    | Working length |    | Total length |    | Blade / Tip width |     | Weight           | Part number |              |
|----------------|----------------|----|--------------|----|-------------------|-----|------------------|-------------|--------------|
|                | mm             | in | mm           | in | mm                | in  | kg <sup>1)</sup> |             |              |
| Moil point     | 380            | 15 | 500          | 20 | -                 | -   | 2.1              | <b>1</b>    | 3083 4030 00 |
|                | 450            | 18 | 570          | 22 | -                 | -   | 2.5              | <b>1</b>    | 3083 4030 10 |
|                | 610            | 24 | 730          | 29 | -                 | -   | 3.1              | <b>1</b>    | 3083 4030 20 |
| Narrow chisel  | 380            | 15 | 500          | 20 | -                 | -   | 2.1              | <b>2</b>    | 3083 3309 00 |
|                | 450            | 18 | 570          | 22 | -                 | -   | 2.5              | <b>2</b>    | 3083 4031 10 |
|                | 610            | 24 | 730          | 29 | -                 | -   | 3.1              | <b>2</b>    | 3083 4031 20 |
| Wide chisel    | 380            | 15 | 500          | 20 | 75                | 3   | 2.5              | <b>3</b>    | 3083 3310 00 |
|                | 380            | 15 | 500          | 20 | 40                | 1½  | 2.4              | <b>3</b>    | 3083331300   |
| Asphalt cutter | 330            | 13 | 450          | 18 | 125               | 5   | 2.9              | <b>4</b>    | 3083 4033 00 |
| Digging spade  | 330            | 13 | 450          | 18 | 120               | 4¾  | 4.0              | <b>5</b>    | 3083 3312 00 |
| Clay spade     | 410            | 16 | 530          | 21 | 125               | 5   | 3.8              | <b>6</b>    | 3083 4035 00 |
| Shaft for pad  | 280            | 11 | 400          | 16 | -                 | -   | 2.0              | <b>7</b>    | 3083 4037 00 |
| Tamping pad    | -              | -  | -            | -  | Ø175              | Ø7  | 7.5              | <b>8</b>    | 3083 3252 10 |
|                | -              | -  | -            | -  | □175              | □7  | 6.0              | <b>8</b>    | 3083 3239 01 |
| Driver pad     | -              | -  | -            | -  | Ø65               | Ø2½ | 2.5              | <b>9</b>    | 3371 8060 39 |
|                | -              | -  | -            | -  | Ø100              | Ø4  | 2.5              | <b>9</b>    | 9245 2817 90 |
| Tie tamper     | 450            | 18 | 570          | 23 | 90                | 3.5 | 4.4              | <b>10</b>   | 3083 3320 00 |



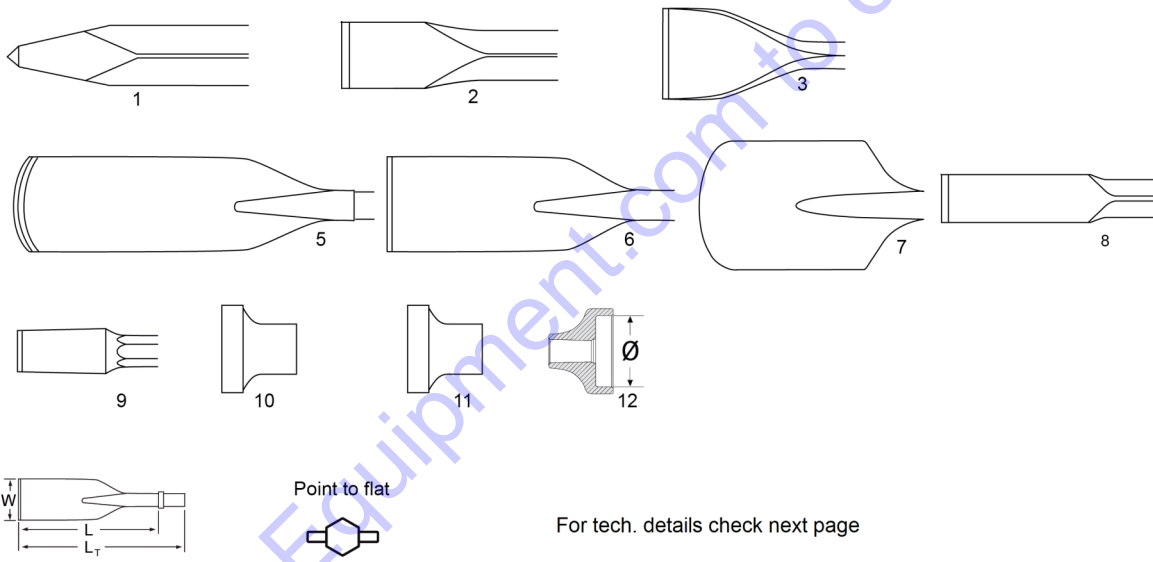
For tech. details check next page

| Id | Qty | Number     | Name                                   | Specifications |
|----|-----|------------|--|----------------|
| 1  | 1   | 3083403000 | MOIL POINT                             |                |
| 1  | 1   | 3083403010 | MOIL POINT                             |                |
| 1  | 1   | 3083403020 | MOIL POINT                             |                |
| 2  | 1   | 3083330900 | NARROW CHISEL                          |                |
| 2  | 1   | 3083403110 | NARROW CHISEL                          |                |
| 2  | 1   | 3083403120 | Narrow Chisel H25X108 Mm (1" X 4 1/4") |                |
| 3  | 1   | 3083331000 | WIDE CHISEL                            |                |
| 3  | 1   | 3083331300 | WEDGE CHISEL                           |                |
| 4  | 1   | 3083403300 | ASPHALT CUTTER                         |                |
| 5  | 1   | 3083331200 | DIGGING SPADE                          |                |
| 6  | 1   | 3083403500 | CLAY SPADE                             |                |
| 7  | 1   | 3083403700 | SHAFT FOR PAD                          |                |
| 8  | 1   | 3083325210 | TAMPING PAD                            |                |
| 8  | 1   | 3083323901 | SQUARE TAMPING PAD 175MM               |                |
| 9  | 1   | 3371806039 | 65MM DRIVING PAD                       |                |
| 9  | 1   | 9245281790 | DRIVER PAD 100 MM FOR                  |                |
| 10 | 1   | 3083332000 | TIE TAMPER 25 X 108 MM                 |                |

Go to Discount-Equipment.com to order your parts

| Description        | Working length |    | Total length |    | Blade / Tip width |      | Weight           | Part number |              |
|--------------------|----------------|----|--------------|----|-------------------|------|------------------|-------------|--------------|
|                    | mm             | in | mm           | in | mm                | in   | kg <sup>1)</sup> |             |              |
| Moil point         | 380            | 15 | 500          | 20 | -                 | -    | 2.1              | <b>1</b>    | 3083 3253 00 |
| Narrow chisel      | 380            | 15 | 500          | 20 | -                 | -    | 2.1              | <b>2</b>    | 3083 3254 00 |
| Wide chisel        | 380            | 15 | 500          | 20 | 75                | 3    | 2.5              | <b>3</b>    | 3083 3255 00 |
| Digging chisel     | 380            | 15 | 500          | 20 | 75                | 3    | 3.2              | <b>4</b>    | 3083 3256 00 |
| Digging spade      | 380            | 15 | 500          | 20 | 120               | 3 ¾  | 3.9              | <b>5</b>    | 3083 3257 00 |
| Clay spade         | 430            | 17 | 550          | 22 | 125               | 5    | 3.3              | <b>6</b>    | 3083 3033 00 |
| Wedge chisel       | 380            | 15 | 500          | 20 | 35                | 1 ¾  | 2.4              | <b>7</b>    | 3083 3258 00 |
| Shaft for pad      | 280            | 11 | 400          | 16 | -                 | -    | 1.9              | <b>8</b>    | 3083 3259 00 |
| Tamping pad        | -              | -  | -            | -  | Ø175              | Ø7   | 7.5              | <b>9</b>    | 3083 3252 10 |
| Tamping pad square | -              | -  | -            | -  | □175              | □7   | 6.0              | <b>10</b>   | 3083 3239 01 |
| Driver pad         | -              | -  | -            | -  | Ø65               | Ø2 ½ | 3.0              | <b>11</b>   | 3371 8060 39 |
|                    | -              | -  | -            | -  | Ø100              | Ø5   | 4                | <b>11</b>   | 9245 2817 90 |





Go to Discount-Equipment.com to order your parts

| Id | Qty | Number     | Name                     | Specifications |
|----|-----|------------|--------------------------|----------------|
| 1  | 1   | 3083325300 | MOIL POINT               |                |
| 2  | 1   | 3083325400 | NARROW CHISEL            |                |
| 3  | 1   | 3083325500 | WIDE CHISEL              |                |
| 4  | 1   | 3083325600 | DIGGING CHISEL           |                |
| 5  | 1   | 3083325700 | DIGGING SPADE            |                |
| 6  | 1   | 3083303300 | CLAY SPADE               |                |
| 7  | 1   | 3083325800 | WEDGE CHISEL             |                |
| 8  | 1   | 3083325900 | SHAFT FOR PAD            |                |
| 9  | 1   | 3083325210 | TAMPING PAD              |                |
| 10 | 1   | 3083323901 | SQUARE TAMPING PAD 175MM |                |
| 11 | 1   | 9245281790 | DRIVER PAD 100 MM FOR    |                |
| 11 | 1   | 3371806039 | 65MM DRIVING PAD         |                |

Go to Discount-Equipment.com to order your parts

NO EXPLODED VIEW  
AVAILABLE  
FOR THIS BOM

Go to [Discount-Equipment.com](https://Discount-Equipment.com) to order your parts

| <b>Id</b> | <b>Qty</b> | <b>Number</b> | <b>Name</b>   | <b>Specifications</b> |
|-----------|------------|---------------|---|-----------------------|
| 20        |            | 0211136400    | HEX SOCK. SCREW   |                       |
| -         | 2          | 3371803075    | HOSE 1.6 M  |                       |
| -         | 1          | 3371805503    | SEAL 8/14X3.5/5   |                       |
| -         | 1          | 8461020853    | TEX 3, 19x50  |                       |
| -         | 2          | 3371803050    | 0.4 m 1/2" hose   |                       |
| -         | 1          | 9030206900    | Water flushing hose BBC/BBD/RH (PM)                         |                       |
| 1         | 1          | 8099020240    | Breaker and hammer AIR-OIL,0.25 l, 0.06 US gallon           |                       |
| -         | 1          |               | Vibration handle kit  |                       |
| -         | 2          | 3121029200    | NUT   |                       |
| -         | 1          | 3371896061    | LABEL   |                       |
| -         | 2          | 0661100039    | SEALING WASHER 21.54X28.58                                  |                       |
| -         | 1          | 3378512072    | DUST SEAL   |                       |
| -         | 2          | 0661100027    | WASHER-SEAL:M 21.5IDX28.5OD                                 |                       |
| -         | 2          | 0663614100    | O-RING  |                       |
| 22        |            | 3371820266    | GUIDE SOCKET  |                       |
| -         | 1          | 3371820702    | O-RING 24X1.5   |                       |
| -         | 1          | 3371814700    | O-RING 8.3X2.4  |                       |
| -         | 2          | 3111002000    | PAWL  |                       |
| -         | 2          | 3121034300    | SIDEBOLT  |                       |
| -         | 2          | 0663211400    | O ring  |                       |
| -         | 1          | 9030204300    | HOSE  |                       |
| -         | 2          | 0663211200    | O-ring, 5.3 x 2.4 mm (70 shore), 0.21 x 0.09 in. (70 shore) |                       |
| -         | 2          | 3121087200    | NUT   |                       |
| 19        | 1          |               | Nut - Hexagon   |                       |
| -         | 1          |               | Nut - Hexagon   |                       |
| 2         | 1          | 8099020236    | LUBRICATING OIL   |                       |
| -         | 1          | 3371896062    | LABEL   |                       |
| -         | 4          | 3371820703    | O-RING 18X2   |                       |
| 23        |            | 3371820267    | SPOOL SOCKET  |                       |
| -         | 1          | 3378512073    | SHAFT SEAL  |                       |
| -         | 1          | 3371805133    | Q.R. coupling 08 female                                     |                       |
| -         | 1          | 3371897166    | Product model label   |                       |
| -         | 1          | 0663212300    | O-RING  |                       |
| -         | 2          | 4950026400    | DIAPHRAGME  |                       |
| -         | 1          | 0663613400    | O-ring NBR  |                       |
| -         | 1          | 3371896097    | ATLAS COPCO LOGO  |                       |
| -         | 2          |               | SIDE BOLT   |                       |
| -         | 2          | 3111002300    | SPRING  |                       |
| -         | 1          | 3083322000    | MOIL POINT  |                       |
| 20        | 1          |               | Rod - Threaded  |                       |
| -         | 1          |               | Rod - Threaded  |                       |
| -         | 2          | 0663212200    | O-RING  |                       |
| -         | 1          | 8202510205    | LUBRICATOR BLG 30   |                       |
| -         | 2          | 3121002100    | PIN   |                       |
| -         | 2          |               | SIDE BOLT   |                       |

| <b>Id</b> | <b>Qty</b> | <b>Number</b> | <b>Name</b>                            | <b>Specifications</b> |
|-----------|------------|---------------|--|-----------------------|
| 3         | 20         | 8099020281    | Breaker and hammer AIR-OIL, 20 x 1 l   | bottles (pack)        |
| -         | 4          | 3378512086    | O-RING                                 |                       |
| -         | 2          | 3371897155    | CP logo                                |                       |
| -         | 1          | 3371897082    | PRODUCT LABEL "LPD-T"                  |                       |
| -         | 1          | 3371897165    | Product model label                    |                       |
| -         | 1          | 3371805134    | Q.R. coupling 08 male                  |                       |
| -         | 1          | 3330002200    | SLID.O-RING                            |                       |
| -         | 2          | 3330008100    | STOP                                   |                       |
| -         | 1          | 3371820704    | O-RING 30X2                            |                       |
| -         | 1          | 3371814701    | Back-up ring                           |                       |
| -         | 1          | 3371896000    | LABEL                                  |                       |
| -         | 2          |               | NUT                                    |                       |
| -         | 4          | 0663212400    | O-ring 17,3x2,4                        |                       |
| -         | 1          | 8202510239    | CLG 30                                 |                       |
| 6         | 1          |               | Gasket - governor housing              |                       |
| -         | 2          |               | Gasket - governor housing              |                       |
| 4         | 1          | 8099020202    | Breaker and hammer air-oil 5l          |                       |
| -         | 1          | 3083322200    | NARROW CHISEL                          |                       |
| 32        |            | 0603420010    | NIPLE G1/2"                            |                       |
| -         | 2          | 0663212000    | O-ring 13,3x2,4                        |                       |
| -         | 2          | 4090020100    | Seal                                   |                       |
| -         | 1          | 3371805733    | PROTECTIVE CAP 1/2" FEMA               |                       |
| -         | 1          | 3371897168    | LABEL                                  |                       |
| -         | 1          | 3371897083    | PRODUCT LABEL "LPD-RV"                 |                       |
| -         | 2          | 3371897156    | CP logo                                |                       |
| -         | 1          | 3371896113    | Label                                  |                       |
| -         | 1          | 3371897286    | Product label                          |                       |
| 33        |            | 3371818013    | T-CONNECTION BSP 4.2                   |                       |
| -         | 1          | 0335350152    | SNAP RING DIA12-DIA12.4                |                       |
| -         | 1          | 3371897164    | Product label                          |                       |
| -         | 1          |               | O-RING                                 |                       |
| 7         | 1          |               | O-RING                                 |                       |
| 5         | 4          | 8099020285    | BREAKER AND HAMMER AIR-OIL             | (4x5L)                |
| -         | 1          | 8099020240    | Breaker and hammer AIR-OIL,0.25 l,     | 0.06 US gallon        |
| -         | 4          | 0211124401    | SCREW                                  |                       |
| -         | 2          | 0663212500    | O-RING                                 |                       |
| -         | 1          | 3371820705    | O-RING 32X2                            |                       |
| -         | 6          | 0663614400    | O-ring, 99.5 x 3.0 mm, 3.92 x 0.12 in. |                       |
| -         | 1          | 3371897080    | Product label                          |                       |
| -         | 1          | 3371897304    | Product label                          |                       |
| -         | 1          | 3371896006    | Label                                  |                       |
| -         | 1          | 3371805732    | PROTECTIVE CAP 1/2" MALE               |                       |
| 34        |            | 3371818020    | T-CONNECTION BSP 3.4                   |                       |
| -         | 1          | 3371897167    | Product label                          |                       |
| -         | 1          | 3371897163    | Product label                          |                       |
| -         | 1          | 3310120600    | STORAGE BOX                            |                       |

| <b>Id</b> | <b>Qty</b> | <b>Number</b> | <b>Name</b>  | <b>Specifications</b> |
|-----------|------------|---------------|--|-----------------------|
| -         | 1          | 8092011082    | VAM 5A WATER SEPARATOR                                       |                       |
| -         | 1          | 3371820762    | O-RING 25.12X1.78  |                       |
| -         | 1          |               | O-RING   |                       |
| -         | 3          | 0663212700    | O-RING   |                       |
| -         | 1          | 0663212800    | O-RING   |                       |
| -         | 1          | 0663212600    | O RING   |                       |
| -         | 1          | 3371897081    | Product label  |                       |
| -         | 2          | 3371814703    | O-RING 24.2X3  |                       |
| -         | 1          | 3371897287    | Product label  |                       |
| -         | 1          | 3371897270    | Label HBP  |                       |
| -         | 1          | 3330002500    | WASHER   |                       |
| -         | 1          |               | Pin - governor push  |                       |
| -         | 3          | 0663213200    | O-RING   |                       |
| -         | 1          | 3371801087    | 7 m Twin extension hose                                      |                       |
| -         | 2          | 0663613600    | O-RING 59.5X3  |                       |
| 35        |            | 0603420010    | NIPLE G1/2"  |                       |
| -         | 1          | 0335350801    | SNAP RING DIA 45   |                       |
| -         | 1          | 3371820176    | SEAL 32/40X6   |                       |
| -         | 1          | 3371803052    | 7 m 1/2" hose  |                       |
| -         | 4          | 0663614800    | O-ring, 119.5 x 3.0 mm, 4.70 x 0.12 in.                      |                       |
| 51        |            | 0211141000    | HEX SOCK. SCREW M12X75-12.9                                  |                       |
| -         | 2          | 3371814710    | O-RING 33X2  |                       |
| -         | 1          |               | Pin - governor weight  |                       |
| -         | 1          | 9030204100    | RUBBER HOSE  |                       |
| -         | 1          | 0663213500    | O-RING   |                       |
| -         | 1          | 0663212900    | O-RING   |                       |
| -         | 4          | 0211133000    | SCREW M8X50 DIN 912 12.9 FZB                                 |                       |
| -         | 1          | 0663614200    | ORING ID 89.5MM  |                       |
| -         | 2          | 0663213300    | O-ring   |                       |
| -         | 1          | 3106967000    | PACKING  |                       |
| 58        |            | 3371817721    | SCREW M10X20   |                       |
| -         | 4          | 3330005700    | VALVE SEAT   |                       |
| -         | 1          | 3371820708    | SEAL 32/45X7/10  |                       |
| -         | 1          | 3371802109    | Label  |                       |
| -         | 1          | 3371896047    | LABEL  |                       |
| -         | 2          | 0663612000    | O-ring, 13.1 x 1.6 mm (70 shore), 0.52 x 0.06 in. (70 shore) |                       |
| -         | 2          | 0663612900    | O-RING   |                       |
| -         | 1          |               | Blade - rotor  |                       |
| -         | 1          | 9000031300    | CLAW COUPLING  |                       |
| -         | 1          | 3371814709    | SEAL RING 8,7/13X1   |                       |
| -         | 2          | 3330000500    | SEAL.WASHER  |                       |
| -         | 1          | 3371896048    | LABEL  |                       |
| -         | 1          | 3106967500    | WASHER   |                       |
| -         | 4          | 3330005800    | FLAP   |                       |
| 79        |            | 0211136300    | Screw  |                       |
| -         | 1          | 0663918400    | O-ring   |                       |
| -         | 1          | 9000019700    | HOSE CLAMP   |                       |

| <b>Id</b> | <b>Qty</b> | <b>Number</b> | <b>Name</b>                             | <b>Specifications</b> |
|-----------|------------|---------------|---|-----------------------|
| -         | 1          |               | O-RING                                  |                       |
| -         | 1          | 3371815738    | LOCKING RING                            |                       |
| -         | 1          | 0502222100    | BALL BEARING                            |                       |
| -         | 1          | 3371802108    | Label                                   |                       |
| -         | 1          | 3371802107    | Label                                   |                       |
| -         | 1          | 3371814754    | LOCKING RING 38                         |                       |
| -         | 2          | 0335351602    | SNAP RING DIA8-DIA7.6                   |                       |
| -         | 1          | 0663613900    | O RING                                  |                       |
| -         | 1          | 3121001200    | PACKING                                 |                       |
| -         | 1          | 3000012100    | RUBB.PACKING                            |                       |
| -         | 1          |               | Gasket - seal plate                     |                       |
| -         | 1          | 0663614000    | O RING 79.5X3                           |                       |
| -         | 4          | 0101414000    | Pin                                     |                       |
| 62        |            | 3377000432    | ADAPTOR 08-06                           |                       |
| -         | 1          | 3330000400    | WASHER                                  |                       |
| -         | 4          | 0663215200    | O-ring, 124.3 x 5.7 mm, 4.89 x 0.22 in. |                       |
| -         | 1          | 3371820700    | SHIM PS 8X14X0.5                        |                       |
| -         | 1          | 3371802106    | Label                                   |                       |
| -         | 1          | 3121007200    | RING                                    |                       |
| -         | 1          | 3115098280    | VALVE BODY                              |                       |
| -         | 1          | 9238270790    | TEMPLATE                                |                       |
| -         | 1          | 3100964600    | PACKING                                 |                       |
| -         | 1          |               | O-RING                                  |                       |
| -         | 1          | 3371814748    | O-RING 25X1.5                           |                       |
| -         | 1          |               | Seal - oil                              |                       |
| -         | 1          | 3100965300    | PACKING                                 |                       |
| -         | 1          | 3000964600    | Packing                                 |                       |
| -         | 1          | 3371814749    | O-RING 13X1.5                           |                       |
| -         | 1          | 3371802105    | Label                                   |                       |
| -         | 4          | 0147137202    | Screw, M10 x 75 mm                      |                       |
| -         | 1          | 0504221700    | Bearing                                 |                       |
| 70        |            | 0211136300    | Screw                                   |                       |
| -         | 1          | 0518125500    | SEAL RING                               |                       |
| -         | 2          | 3371820706    | O-RING 22X1.5                           |                       |
| -         | 1          |               | BRAKERING                               |                       |
| -         | 1          | 3162097600    | GASKET                                  |                       |
| -         | 1          | 3121054500    | PACKING                                 |                       |
| -         | 2          | 3132017300    | PACKING                                 |                       |
| -         | 2          | 3371814750    | O-RING 12X1.5                           |                       |
| -         | 1          | 3330002300    | NUT                                     |                       |
| -         | 1          | 3371814751    | O-RING 69X1.5                           |                       |
| -         | 1          | 3371817757    | O-RING 6X2                              |                       |
| -         | 1          | 3376100084    | O-RING 8X2                              |                       |
| -         | 1          | 3371820718    | SEAL RING 9/14X1                        |                       |
| -         | 1          | 3371820725    | O-RING 82X1.5                           |                       |
| -         | 1          | 3371820726    | O-RING 16X1.5                           |                       |
| -         | 1          | 3371820167    | BACK-UP WASHER 32.7/45X                 |                       |
| -         | 1          | 3371820727    | LOCKING RING                            |                       |

NO EXPLODED VIEW  
AVAILABLE  
FOR THIS BOM

Go to Discount-Equipment.com to order your parts

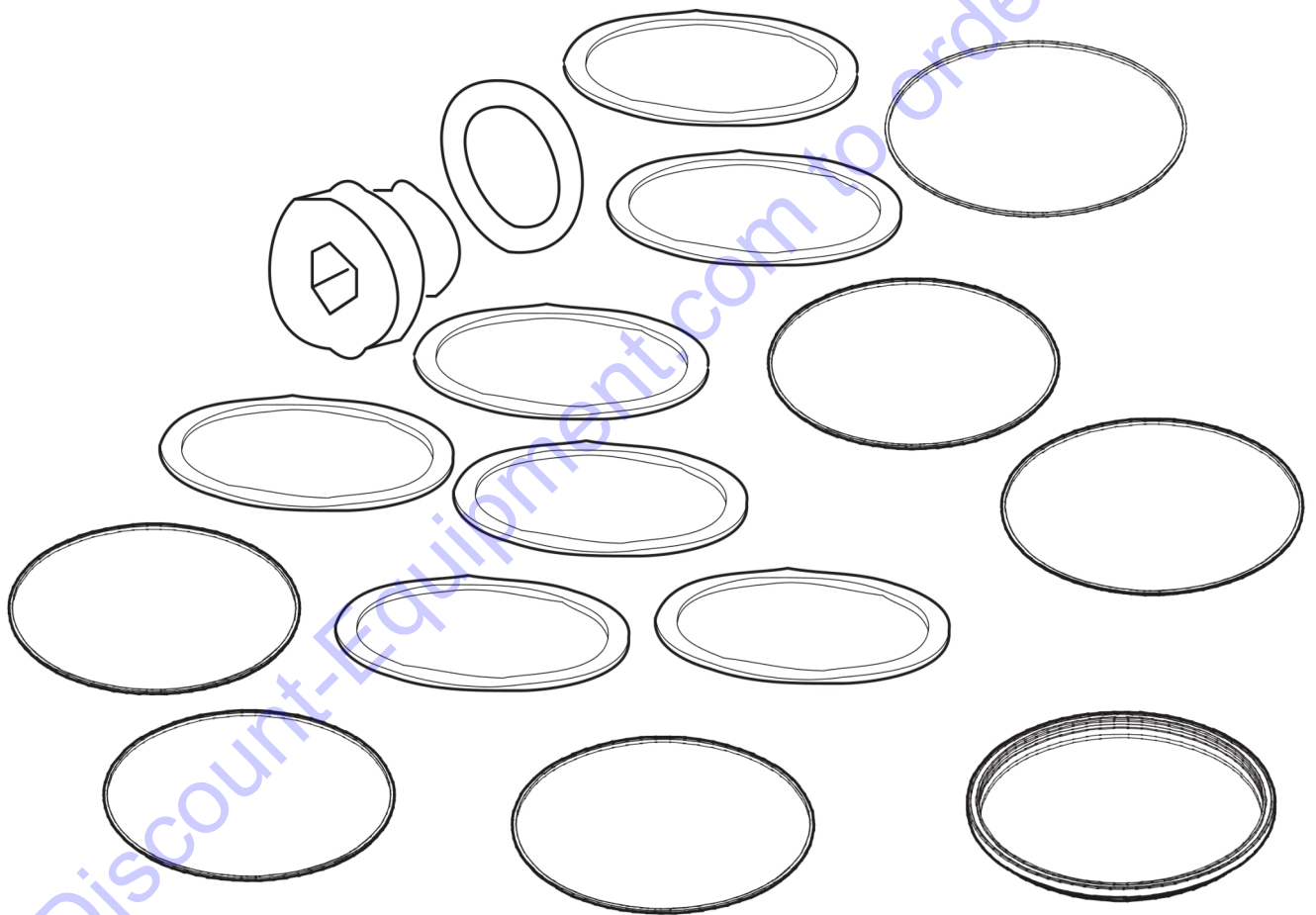


| <b>Id</b> | <b>Qty</b> | <b>Number</b> | <b>Name</b>   | <b>Specifications</b> |
|-----------|------------|---------------|---|-----------------------|
| 20        |            | 0211136400    | HEX SOCK. SCREW   |                       |
| -         | 2          | 3371803075    | HOSE 1.6 M  |                       |
| -         | 1          | 3371805503    | SEAL 8/14X3.5/5   |                       |
| -         | 1          | 8461020853    | TEX 3, 19x50  |                       |
| -         | 2          | 3371803050    | 0.4 m 1/2" hose   |                       |
| -         | 1          | 9030206900    | Water flushing hose BBC/BBD/RH (PM)                         |                       |
| 1         | 1          | 8099020240    | Breaker and hammer AIR-OIL,0.25 l, 0.06 US gallon           |                       |
| -         | 1          |               | Vibration handle kit  |                       |
| -         | 2          | 3121029200    | NUT   |                       |
| -         | 1          | 3371896061    | LABEL   |                       |
| -         | 2          | 0661100039    | SEALING WASHER 21.54X28.58                                  |                       |
| -         | 1          | 3378512072    | DUST SEAL   |                       |
| -         | 2          | 0661100027    | WASHER-SEAL:M 21.5IDX28.5OD                                 |                       |
| -         | 2          | 0663614100    | O-RING  |                       |
| 22        |            | 3371820266    | GUIDE SOCKET  |                       |
| -         | 1          | 3371820702    | O-RING 24X1.5   |                       |
| -         | 1          | 3371814700    | O-RING 8.3X2.4  |                       |
| -         | 2          | 3111002000    | PAWL  |                       |
| -         | 2          | 3121034300    | SIDEBOLT  |                       |
| -         | 2          | 0663211400    | O ring  |                       |
| -         | 1          | 9030204300    | HOSE  |                       |
| -         | 2          | 0663211200    | O-ring, 5.3 x 2.4 mm (70 shore), 0.21 x 0.09 in. (70 shore) |                       |
| -         | 2          | 3121087200    | NUT   |                       |
| 19        | 1          |               | Nut - Hexagon   |                       |
| -         | 1          |               | Nut - Hexagon   |                       |
| 2         | 1          | 8099020236    | LUBRICATING OIL   |                       |
| -         | 1          | 3371896062    | LABEL   |                       |
| -         | 4          | 3371820703    | O-RING 18X2   |                       |
| 23        |            | 3371820267    | SPOOL SOCKET  |                       |
| -         | 1          | 3378512073    | SHAFT SEAL  |                       |
| -         | 1          | 3371805133    | Q.R. coupling 08 female                                     |                       |
| -         | 1          | 3371897166    | Product model label   |                       |
| -         | 1          | 0663212300    | O-RING  |                       |
| -         | 2          | 4950026400    | DIAPHRAGME  |                       |
| -         | 1          | 0663613400    | O-ring NBR  |                       |
| -         | 1          | 3371896097    | ATLAS COPCO LOGO  |                       |
| -         | 2          |               | SIDE BOLT   |                       |
| -         | 2          | 3111002300    | SPRING  |                       |
| -         | 1          | 3083322000    | MOIL POINT  |                       |
| 20        | 1          |               | Rod - Threaded  |                       |
| -         | 1          |               | Rod - Threaded  |                       |
| -         | 2          | 0663212200    | O-RING  |                       |
| -         | 1          | 8202510205    | LUBRICATOR BLG 30   |                       |
| -         | 2          | 3121002100    | PIN   |                       |
| -         | 2          |               | SIDE BOLT   |                       |

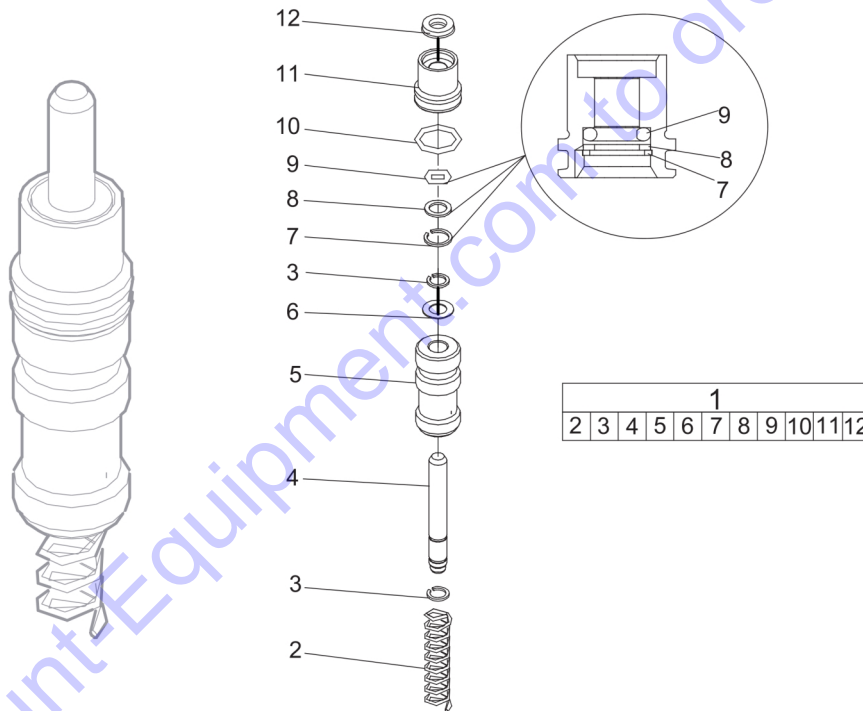
| <b>Id</b> | <b>Qty</b> | <b>Number</b> | <b>Name</b>                            | <b>Specifications</b> |
|-----------|------------|---------------|--|-----------------------|
| 3         | 20         | 8099020281    | Breaker and hammer AIR-OIL, 20 x 1 l   | bottles (pack)        |
| -         | 4          | 3378512086    | O-RING                                 |                       |
| -         | 2          | 3371897155    | CP logo                                |                       |
| -         | 1          | 3371897082    | PRODUCT LABEL "LPD-T"                  |                       |
| -         | 1          | 3371897165    | Product model label                    |                       |
| -         | 1          | 3371805134    | Q.R. coupling 08 male                  |                       |
| -         | 1          | 3330002200    | SLID.O-RING                            |                       |
| -         | 2          | 3330008100    | STOP                                   |                       |
| -         | 1          | 3371820704    | O-RING 30X2                            |                       |
| -         | 1          | 3371814701    | Back-up ring                           |                       |
| -         | 1          | 3371896000    | LABEL                                  |                       |
| -         | 2          |               | NUT                                    |                       |
| -         | 4          | 0663212400    | O-ring 17,3x2,4                        |                       |
| -         | 1          | 8202510239    | CLG 30                                 |                       |
| 6         | 1          |               | Gasket - governor housing              |                       |
| -         | 2          |               | Gasket - governor housing              |                       |
| 4         | 1          | 8099020202    | Breaker and hammer air-oil 5l          |                       |
| -         | 1          | 3083322200    | NARROW CHISEL                          |                       |
| 32        |            | 0603420010    | NIPLE G1/2"                            |                       |
| -         | 2          | 0663212000    | O-ring 13,3x2,4                        |                       |
| -         | 2          | 4090020100    | Seal                                   |                       |
| -         | 1          | 3371805733    | PROTECTIVE CAP 1/2" FEMA               |                       |
| -         | 1          | 3371897168    | LABEL                                  |                       |
| -         | 1          | 3371897083    | PRODUCT LABEL "LPD-RV"                 |                       |
| -         | 2          | 3371897156    | CP logo                                |                       |
| -         | 1          | 3371896113    | Label                                  |                       |
| -         | 1          | 3371897286    | Product label                          |                       |
| 33        |            | 3371818013    | T-CONNECTION BSP 4.2                   |                       |
| -         | 1          | 0335350152    | SNAP RING DIA12-DIA12.4                |                       |
| -         | 1          | 3371897164    | Product label                          |                       |
| -         | 1          |               | O-RING                                 |                       |
| 7         | 1          |               | O-RING                                 |                       |
| 5         | 4          | 8099020285    | BREAKER AND HAMMER AIR-OIL             | (4x5L)                |
| -         | 1          | 8099020240    | Breaker and hammer AIR-OIL,0.25 l,     | 0.06 US gallon        |
| -         | 4          | 0211124401    | SCREW                                  |                       |
| -         | 2          | 0663212500    | O-RING                                 |                       |
| -         | 1          | 3371820705    | O-RING 32X2                            |                       |
| -         | 6          | 0663614400    | O-ring, 99.5 x 3.0 mm, 3.92 x 0.12 in. |                       |
| -         | 1          | 3371897080    | Product label                          |                       |
| -         | 1          | 3371897304    | Product label                          |                       |
| -         | 1          | 3371896006    | Label                                  |                       |
| -         | 1          | 3371805732    | PROTECTIVE CAP 1/2" MALE               |                       |
| 34        |            | 3371818020    | T-CONNECTION BSP 3.4                   |                       |
| -         | 1          | 3371897167    | Product label                          |                       |
| -         | 1          | 3371897163    | Product label                          |                       |
| -         | 1          | 3310120600    | STORAGE BOX                            |                       |

| <b>Id</b> | <b>Qty</b> | <b>Number</b> | <b>Name</b>  | <b>Specifications</b> |
|-----------|------------|---------------|--|-----------------------|
| -         | 1          | 8092011082    | VAM 5A WATER SEPARATOR                                       |                       |
| -         | 1          | 3371820762    | O-RING 25.12X1.78  |                       |
| -         | 1          |               | O-RING   |                       |
| -         | 3          | 0663212700    | O-RING   |                       |
| -         | 1          | 0663212800    | O-RING   |                       |
| -         | 1          | 0663212600    | O RING   |                       |
| -         | 1          | 3371897081    | Product label  |                       |
| -         | 2          | 3371814703    | O-RING 24.2X3  |                       |
| -         | 1          | 3371897287    | Product label  |                       |
| -         | 1          | 3371897270    | Label HBP  |                       |
| -         | 1          | 3330002500    | WASHER   |                       |
| -         | 1          |               | Pin - governor push  |                       |
| -         | 3          | 0663213200    | O-RING   |                       |
| -         | 1          | 3371801087    | 7 m Twin extension hose                                      |                       |
| -         | 2          | 0663613600    | O-RING 59.5X3  |                       |
| 35        |            | 0603420010    | NIPLE G1/2"  |                       |
| -         | 1          | 0335350801    | SNAP RING DIA 45   |                       |
| -         | 1          | 3371820176    | SEAL 32/40X6   |                       |
| -         | 1          | 3371803052    | 7 m 1/2" hose  |                       |
| -         | 4          | 0663614800    | O-ring, 119.5 x 3.0 mm, 4.70 x 0.12 in.                      |                       |
| 51        |            | 0211141000    | HEX SOCK. SCREW M12X75-12.9                                  |                       |
| -         | 2          | 3371814710    | O-RING 33X2  |                       |
| -         | 1          |               | Pin - governor weight  |                       |
| -         | 1          | 9030204100    | RUBBER HOSE  |                       |
| -         | 1          | 0663213500    | O-RING   |                       |
| -         | 1          | 0663212900    | O-RING   |                       |
| -         | 4          | 0211133000    | SCREW M8X50 DIN 912 12.9 FZB                                 |                       |
| -         | 1          | 0663614200    | ORING ID 89.5MM  |                       |
| -         | 2          | 0663213300    | O-ring   |                       |
| -         | 1          | 3106967000    | PACKING  |                       |
| 58        |            | 3371817721    | SCREW M10X20   |                       |
| -         | 4          | 3330005700    | VALVE SEAT   |                       |
| -         | 1          | 3371820708    | SEAL 32/45X7/10  |                       |
| -         | 1          | 3371802109    | Label  |                       |
| -         | 1          | 3371896047    | LABEL  |                       |
| -         | 2          | 0663612000    | O-ring, 13.1 x 1.6 mm (70 shore), 0.52 x 0.06 in. (70 shore) |                       |
| -         | 2          | 0663612900    | O-RING   |                       |
| -         | 1          |               | Blade - rotor  |                       |
| -         | 1          | 9000031300    | CLAW COUPLING  |                       |
| -         | 1          | 3371814709    | SEAL RING 8,7/13X1   |                       |
| -         | 2          | 3330000500    | SEAL.WASHER  |                       |
| -         | 1          | 3371896048    | LABEL  |                       |
| -         | 1          | 3106967500    | WASHER   |                       |
| -         | 4          | 3330005800    | FLAP   |                       |
| 79        |            | 0211136300    | Screw  |                       |
| -         | 1          | 0663918400    | O-ring   |                       |
| -         | 1          | 9000019700    | HOSE CLAMP   |                       |

| <b>Id</b> | <b>Qty</b> | <b>Number</b> | <b>Name</b>                             | <b>Specifications</b> |
|-----------|------------|---------------|---|-----------------------|
| -         | 1          |               | O-RING                                  |                       |
| -         | 1          | 3371815738    | LOCKING RING                            |                       |
| -         | 1          | 0502222100    | BALL BEARING                            |                       |
| -         | 1          | 3371802108    | Label                                   |                       |
| -         | 1          | 3371802107    | Label                                   |                       |
| -         | 1          | 3371814754    | LOCKING RING 38                         |                       |
| -         | 2          | 0335351602    | SNAP RING DIA8-DIA7.6                   |                       |
| -         | 1          | 0663613900    | O RING                                  |                       |
| -         | 1          | 3121001200    | PACKING                                 |                       |
| -         | 1          | 3000012100    | RUBB.PACKING                            |                       |
| -         | 1          |               | Gasket - seal plate                     |                       |
| -         | 1          | 0663614000    | O RING 79.5X3                           |                       |
| -         | 4          | 0101414000    | Pin                                     |                       |
| 62        |            | 3377000432    | ADAPTOR 08-06                           |                       |
| -         | 1          | 3330000400    | WASHER                                  |                       |
| -         | 4          | 0663215200    | O-ring, 124.3 x 5.7 mm, 4.89 x 0.22 in. |                       |
| -         | 1          | 3371820700    | SHIM PS 8X14X0.5                        |                       |
| -         | 1          | 3371802106    | Label                                   |                       |
| -         | 1          | 3121007200    | RING                                    |                       |
| -         | 1          | 3115098280    | VALVE BODY                              |                       |
| -         | 1          | 9238270790    | TEMPLATE                                |                       |
| -         | 1          | 3100964600    | PACKING                                 |                       |
| -         | 1          |               | O-RING                                  |                       |
| -         | 1          | 3371814748    | O-RING 25X1.5                           |                       |
| -         | 1          |               | Seal - oil                              |                       |
| -         | 1          | 3100965300    | PACKING                                 |                       |
| -         | 1          | 3000964600    | Packing                                 |                       |
| -         | 1          | 3371814749    | O-RING 13X1.5                           |                       |
| -         | 1          | 3371802105    | Label                                   |                       |
| -         | 4          | 0147137202    | Screw, M10 x 75 mm                      |                       |
| -         | 1          | 0504221700    | Bearing                                 |                       |
| 70        |            | 0211136300    | Screw                                   |                       |
| -         | 1          | 0518125500    | SEAL RING                               |                       |
| -         | 2          | 3371820706    | O-RING 22X1.5                           |                       |
| -         | 1          |               | BRAKERING                               |                       |
| -         | 1          | 3162097600    | GASKET                                  |                       |
| -         | 1          | 3121054500    | PACKING                                 |                       |
| -         | 2          | 3132017300    | PACKING                                 |                       |
| -         | 2          | 3371814750    | O-RING 12X1.5                           |                       |
| -         | 1          | 3330002300    | NUT                                     |                       |
| -         | 1          | 3371814751    | O-RING 69X1.5                           |                       |
| -         | 1          | 3371817757    | O-RING 6X2                              |                       |
| -         | 1          | 3376100084    | O-RING 8X2                              |                       |
| -         | 1          | 3371820718    | SEAL RING 9/14X1                        |                       |
| -         | 1          | 3371820725    | O-RING 82X1.5                           |                       |
| -         | 1          | 3371820726    | O-RING 16X1.5                           |                       |
| -         | 1          | 3371820167    | BACK-UP WASHER 32.7/45X                 |                       |
| -         | 1          | 3371820727    | LOCKING RING                            |                       |



| Id | Qty | Number     | Name                        | Specifications |
|----|-----|------------|-----------------------------|----------------|
| -  | 1   | 3371814709 | SEAL RING 8,7/13X1          |                |
| -  | 1   | 3371813710 | PROTECTIVE CAP M24X1.5      |                |
| -  | 1   | 3371820702 | O-RING 24X1.5               |                |
| -  | 4   | 3371820703 | O-RING 18X2                 |                |
| -  | 1   | 3371820704 | O-RING 30X2                 |                |
| -  | 1   | 3371820705 | O-RING 32X2                 |                |
| -  | 1   | 3371820762 | O-RING 25.12X1.78           |                |
| -  | 1   | 0335350801 | SNAP RING DIA 45            |                |
| -  | 1   | 3371820176 | SEAL 32/40X6                |                |
| -  | 1   | 3371820708 | SEAL 32/45X7/10             |                |
| -  | 2   | 0661100027 | WASHER-SEAL:M 21.5IDX28.5OD |                |
| -  | 2   | 0335351602 | SNAP RING DIA8-DIA7.6       |                |
| -  | 1   | 3371814700 | O-RING 8.3X2.4              |                |
| -  | 1   | 3371820700 | SHIM PS 8X14X0.5            |                |
| -  | 1   | 0663212300 | O-RING                      |                |
| -  | 1   | 3371805503 | SEAL 8/14X3.5/5             |                |
| -  | 1   | 3371814701 | Back-up ring                |                |
| -  | 1   | 0335350152 | SNAP RING DIA12-DIA12.4     |                |
| -  | 1   | 3371817757 | O-RING 6X2                  |                |
| -  | 1   | 3376100084 | O-RING 8X2                  |                |
| -  | 1   | 3371820718 | SEAL RING 9/14X1            |                |
| -  | 1   | 3371820725 | O-RING 82X1.5               |                |
| -  | 1   | 3371820726 | O-RING 16X1.5               |                |
| -  | 1   | 3371814749 | O-RING 13X1.5               |                |
| -  | 1   | 3371820167 | BACK-UP WASHER 32.7/45X     |                |
| -  | 1   | 3371820727 | LOCKING RING                |                |
| -  | 1   | 3371821709 | O-RING 28X3 PU              |                |
| -  | 2   | 3371815131 | NAB                         |                |
| -  | 1   | 3371821710 | BACK-UP RING                |                |
| -  | 1   | 3371821242 | AIR FILTER                  |                |

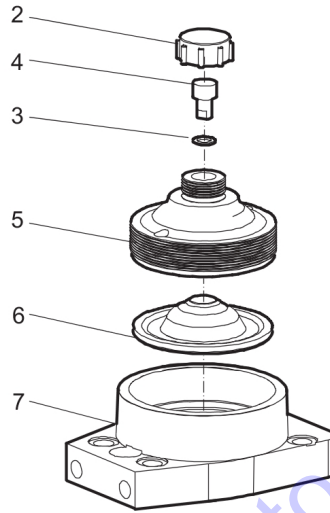


| <b>Id</b> | <b>Qty</b> | <b>Number</b> | <b>Name</b>             | <b>Specifications</b> |
|-----------|------------|---------------|-------------------------|-----------------------|
| 2         | 1          | 3371820137    | SPRING                  |                       |
| 3         | 2          | 0335351602    | SNAP RING DIA8-DIA7.6   |                       |
| 4         | 1          | 3371820136    | TRIGGER ROD             |                       |
| 5         | 1          | 3371820108    | TRIGGER SPOOL           |                       |
| 6         | 1          | 3371820700    | SHIM PS 8X14X0.5        |                       |
| 7         | 1          | 0335350152    | SNAP RING DIA12-DIA12.4 |                       |
| 8         | 1          | 3371814701    | Back-up ring            |                       |
| 9         | 1          | 3371814700    | O-RING 8.3X2.4          |                       |
| 10        | 1          | 0663212300    | O-RING                  |                       |
| 11        | 1          | 3371814120    | PACKING GLAND           |                       |
| 12        | 1          | 3371805503    | SEAL 8/14X3.5/5         |                       |

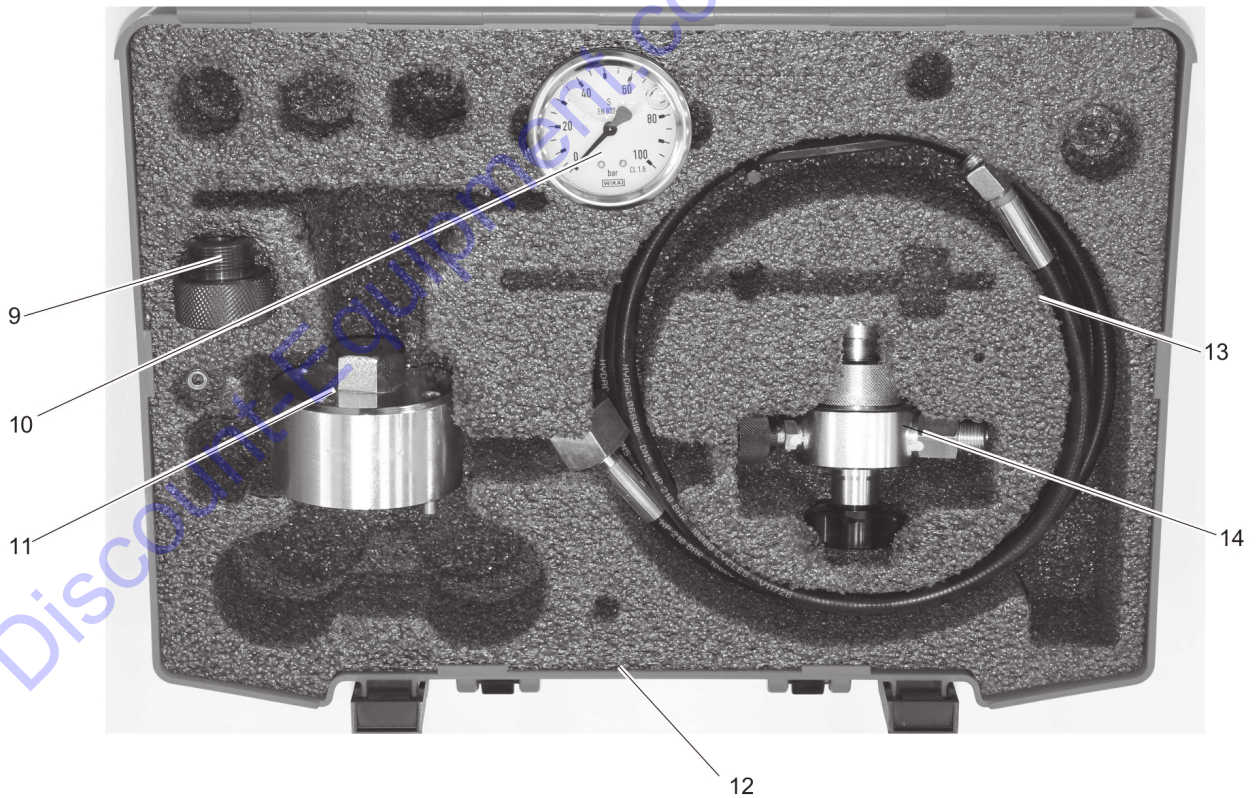
Go to Discount-Equipment.com to order your parts



|   |   |   |   |   |   |  |
|---|---|---|---|---|---|--|
| 1 |   |   |   |   |   |  |
| 2 | 3 | 4 | 5 | 6 | 7 |  |



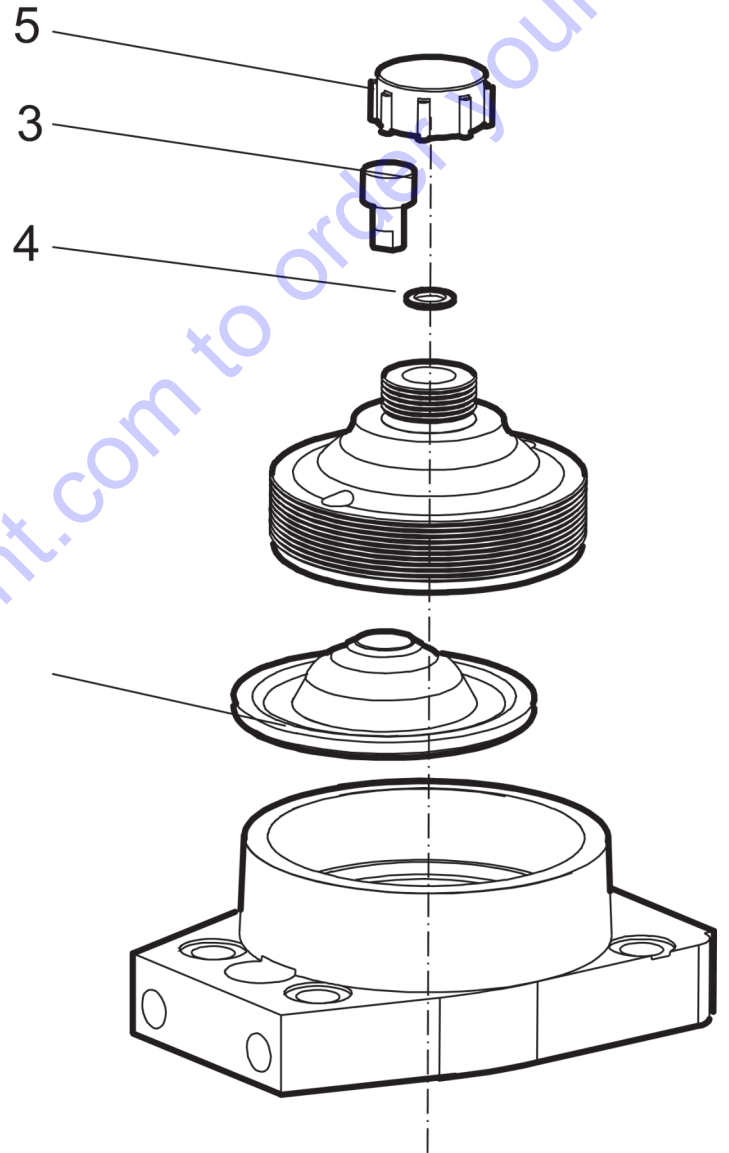
|   |    |    |    |    |    |  |
|---|----|----|----|----|----|--|
| 8 |    |    |    |    |    |  |
| 9 | 10 | 11 | 12 | 13 | 14 |  |



| <b>Id</b> | <b>Qty</b> | <b>Number</b> | <b>Name</b>              | <b>Specifications</b> |
|-----------|------------|---------------|--------------------------|-----------------------|
| 1         | 1          | 3371814051    | ACCUMULATOR COMPLETE     |                       |
| 2         | 1          | 3376117071    | protective nut           |                       |
| 3         | 1          | 3371814709    | SEAL RING 8,7/13X1       |                       |
| 4         | 1          | 3371813103    | Charging screw           |                       |
| 5         | 1          | 3371814102    | ACCUMULATOR COVER        |                       |
| 6         | 1          | 3371814052    | Diaphragm                |                       |
| 7         | 1          | 3371814104    | ACCUMULATOR BODY         |                       |
| 8         | 1          | 3371801155    | FILLING DEVICE COMPLETE  |                       |
| 9         | 1          | 3371807780    | ADAPTER                  |                       |
| 10        | 1          |               |                          |                       |
| 11        | 1          | 3371807760    | TOOL F/ACCUMULATOR COMPL |                       |
| 12        | 1          |               |                          |                       |
| 13        | 1          | 3371807779    | FILLING HOSE             |                       |
| 14        | 1          | 3371807778    | FILLING DEVICE           |                       |
| -         | 1          |               |                          |                       |

Go to Discount-Equipment.com to order your parts

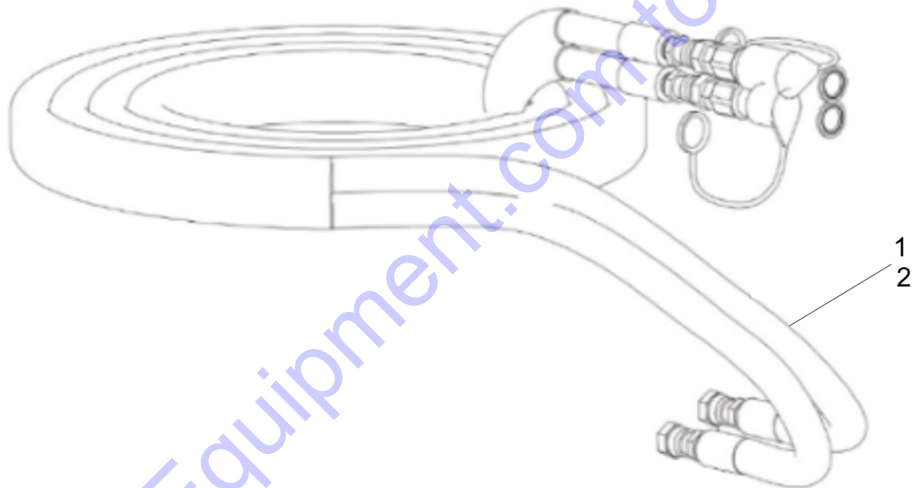
|   |   |   |   |  |
|---|---|---|---|--|
| 1 |   |   |   |  |
| 2 | 3 | 4 | 5 |  |



| Id | Qty | Number     | Name               | Specifications |
|----|-----|------------|--------------------|----------------|
| 2  | 1   | 3371814052 | Diaphragm          |                |
| 3  | 1   | 3371813103 | Charging screw     |                |
| 4  | 1   | 3371814709 | SEAL RING 8,7/13X1 |                |
| 5  | 1   | 3376117071 | protective nut     |                |

Go to Discount-Equipment.com to order your parts

| Description                   | Length |    | Diameter |    | Weight           | Comments   | Part number    |
|-------------------------------|--------|----|----------|----|------------------|--|----------------|
|                               | m      | ft | mm       | in | kg <sup>1)</sup> |  |                |
| Hydraulic twin-extension hose | 7.0    | 23 | 12.5     | ½  | 8.3              | Incl. ½ inch Flat-Face quick-release couplings         | 1 3371 8010 87 |
|                               | 12.0   | 39 | 12.5     | ½  | 13.3             | Incl. ½ inch Flat-Face quick-release couplings         | 13371 8010 89  |
|                               | 7.0    | 23 | 12.5     | ½  | 8.0              | Incl. ½ inch BSP female connection for direct mounting | 13371 8010 82  |
| Double connection hoses       | 1.6    | 5  | 12.5     | ½  | 1.7              | -  | 2 3371 8011 90 |



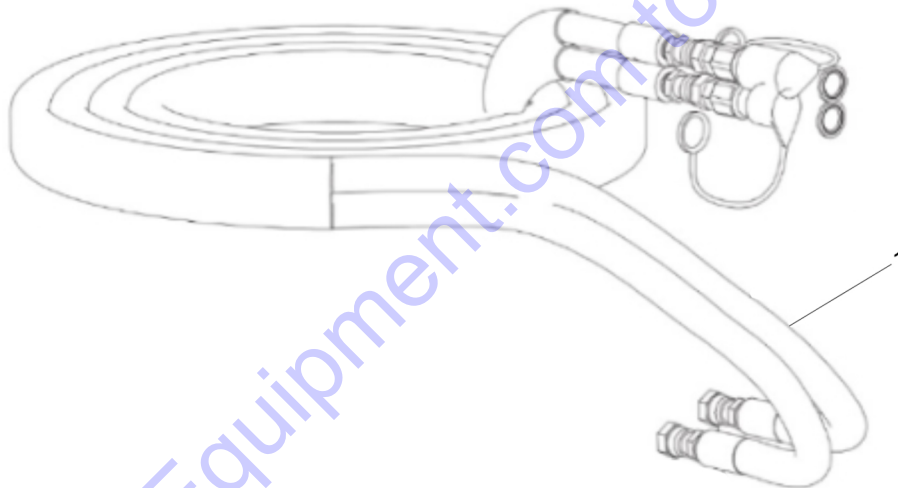
For tech. details check next page

| <b>Id</b> | <b>Qty</b> | <b>Number</b> | <b>Name</b>              | <b>Specifications</b> |
|-----------|------------|---------------|--------------------------|-----------------------|
| 1         | 1          | 3371801087    | 7 m Twin extension hose  |                       |
| 1         | 1          | 3371801089    | 12 m Twin extension hose |                       |
| 1         | 1          | 3371801082    | 7 m Twin hose            |                       |
| 2         | 1          | 3371801190    | 1.6 M TAIL-HOSE SET      |                       |

Go to Discount-Equipment.com to order your parts

| Description                   | Length | Diameter | Weight | Comments   | Part number  |
|-------------------------------|--------|----------|--------|--|--------------|
|                               | ft     | in       | lbs    |  |              |
| Hydraulic twin-extension hose | 30     | ½        | 22     | ½" pressure and ¾" return hose with ½" flat-face quick release couplings   | 9246 0204 98 |
| Hydraulic twin-extension hose | 50     | ½        | 37     |  | 9246 0204 99 |
| Hydraulic twin-extension hose | 15     | ½ & ¾    | 12     | ½" pressure and ¾" return hose with ½" flat-face male and female quick release couplings connect to Chicago Pneumatic handheld hydraulic units and the ¾" male and female flat faced couplings connects to PTO | 9246 0205 02 |
| Hydraulic twin-extension hose | 30     | ½ & ¾    | 24     |  | 9246 0205 03 |
| Hydraulic twin-extension hose | 50     | ½ & ¾    | 37     |  | 9246 0205 04 |

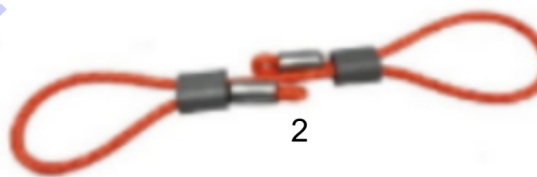




For tech. details check next page

| <b>Id</b> | <b>Qty</b> | <b>Number</b> | <b>Name</b>                   | <b>Specifications</b> |
|-----------|------------|---------------|-------------------------------|-----------------------|
| 1         | 1          | 9246020498    | Hydraulic twin-extension hose |                       |
| 1         | 1          | 9247020499    | Hydraulic twin-extension hose |                       |
| 1         | 1          | 9246020502    | Hydraulic twin-extension hose |                       |
| 1         | 1          | 9246020503    | HYD HOSE ASSY 30'X1/2"X3      |                       |
| 1         | 1          | 9246020504    | Hydraulic twin-extension hose |                       |

Go to Discount-Equipment.com to order your parts



Go to Discount-Equipment.com to order your parts

| Id | Qty | Number     | Name  | Specifications |
|----|-----|------------|---|----------------|
| 1  | 1   | 3310101858 | WHIP CHECK 1/2"-1.1/4",L=540mm              |                |
| 1  | 1   | 3310101859 | WHIP CHECK 1.1/2"-3",L=965mm                |                |
| 1  | 1   | 3310101860 | WHIP CHECK 3"-6",L=1150mm                   |                |
| 2  | 1   | 3310102546 | WHIPCHECK PRO 1/2 -<br>4",L=500MM,BS=1000KG |                |

Go to Discount-Equipment.com to order your parts

# PARTS FINDER

**Search Website  
by Part Number**



**Search Manual  
Library For Parts  
Manual & Lookup Part  
Numbers – Purchase  
or Request Quote**

**Search Manuals**

Enter your information to help us find the right parts manual for your machine.

\* Brand:

\* Model:

\* Serial:

\* Part Number:

SEARCH

**Can't Find Part or  
Manual? Request Help  
by Manufacturer,  
Model & Description**

**Parts Order Form**

Please fill in the following information to help us find the right part for your machine.

MANUFACTURER:

MODEL:

DESCRIPTION:

SEARCH

Discount-Equipment.com is your online resource for quality parts & equipment.

Florida: **561-964-4949** Outside Florida TOLL FREE: **877-690-3101**

**Need parts?**

Click on this link: <http://www.discount-equipment.com/category/5443-parts/> and choose one of the options to help get the right parts and equipment you are looking for. Please have the machine model and serial number available in order to help us get you the correct parts. If you don't find the part on the website or on one of the online manuals, please fill out the request form and one of our experienced staff members will get back to you with a quote for the right part that your machine needs.

We sell worldwide for the brands: Genie, Terex, JLG, MultiQuip, Mikasa, Essick, Whiteman, Mayco, Toro Stone, Diamond Products, Generac Magnum, Airman, Haulotte, Barreto, Power Blanket, Nifty Lift, Atlas Copco, Chicago Pneumatic, Allmand, Miller Curber, Skyjack, Lull, Skytrak, Tsurumi, Husquvarna Target, Stow, Wacker, Sakai, Mi-T-M, Sullair, Basic, Dynapac, MBW, Weber, Bartell, Bennar Newman, Haulotte, Ditch Runner, Menegotti, Morrison, Contec, Buddy, Crown, Edco, Wyco, Bomag, Laymor, EZ Trench, Bil-Jax, F.S. Curtis, Gehl Pavers, Heli, Honda, ICS/PowerGrit, IHI, Partner, Imer, Clipper, MMD, Koshin, Rice, CH&E, General Equipment, Amida, Coleman, NAC, Gradall, Square Shooter, Kent, Stanley, Tamco, Toku, Hatz, Kohler, Robin, Wisconsin, Northrock, Oztec, Toker TK, Rol-Air, APT, Wylie, Ingersoll Rand / Doosan, Innovatech, Con X, Ammann, Mecalac, Makinex, Smith Surface Prep, Small Line, Wanco, Yanmar