



Count on it.

Parts Catalog

MMXD-958H-S

Mortar Mixer

Model No. 68023—Serial No. 31500001 and Up



Ordering Replacement Parts

To order replacement parts, please supply the part number, the quantity, and the description of each part desired.

Understanding Reference Numbers

Each identified part in an illustration has a reference number. The reference number for a part also appears in the parts list, along with other information about the part.

This catalog uses two special reference number formats, one to indicate parts in a service assembly and another to indicate the quantity of a given part in an illustration.

Service Assembly Reference Numbers

Parts in service assemblies have reference numbers in the form a:b. The a represents the reference number of the entire service assembly and the b represents a sequential number unique to each part within the service assembly.

For example, a wheel assembly might be identified by reference number 6, the tire by 6:1, the valve by 6:2, and the wheel by 6:3. When you order the assembly identified by reference number 6, you receive all parts identified by reference numbers 6:1, 6:2, and 6:3. However, you may also order any part individually. Reference numbers of this type appear in illustration and in parts lists.

Reference Numbers Indicating Quantity

In an illustration, if a reference number indicates more than one part, the reference number has the form nX y. The n represents the quantity of the part, the X is the multiplication symbol, and the y represents the reference number.

For example, in an illustration, the reference number 2X 37 means that two of the parts identified by reference number 37 are indicated.

List of Abbreviations

AR: as required

ASM: assembly

BBC: blade brake control

BHTF: button head thread forming

CARR: carriage

CCW: counter clockwise

CW: clockwise

DEG: degrees

DPA: Dual Point Adjustment

ECM: electronic control module

EXT: external

FH: flat head

GA: gauge

HD: heavy-duty

HF: hex flange

HH: hex head

HHF: hex head flange

HHFTF: hex head flange thread forming

HJ: hex jam

HLH: hex lag head

HOC: height-of-cut

HP: high pressure

HSBH: hex socket button head

HSFH: hex socket flat head

HSH: hex socket head

HWH: hex washer head

HWHTF: hex washer head thread forming

HYD: hydraulic

LH: left hand

LP: low pressure

LPG: Liquefied Petroleum Gas

NI: nylon insert

NPTF: national pipe thread fine

PFH: phillips flat head

PPH: phillips pan head

PPHTF: phillips pan head thread forming

PRH: phillips round head

PTH: phillips truss head

PTO: power-take-off

RH: right hand

ROPS: roll-over protection system

RRB: rear roller brush

SFH: slotted fillister head

SHH: slotted hex head

SHWH: slotted hex washer head

SPH: slotted pan head

SQH: square head

SRH: slotted round head

STD: standard

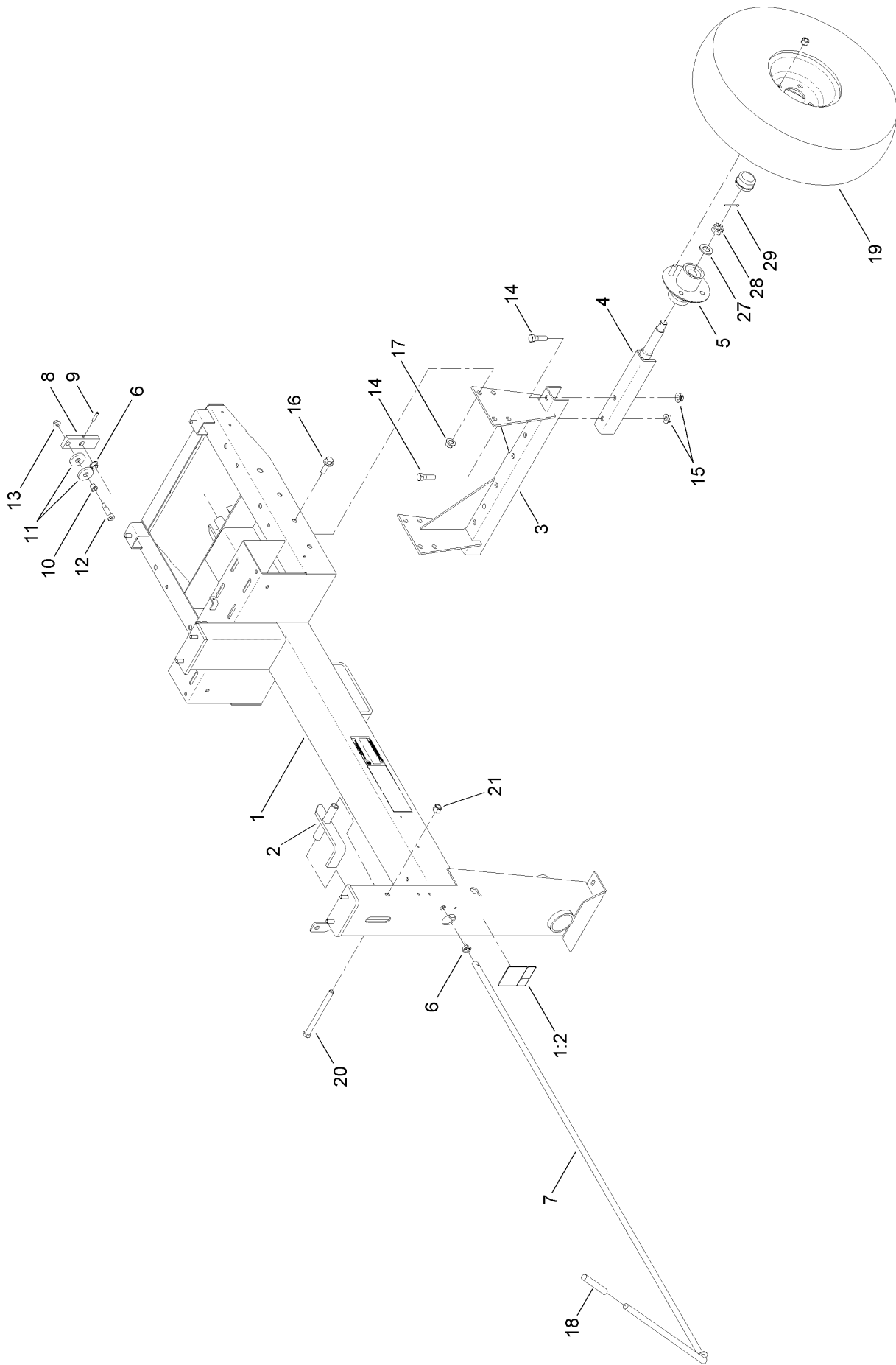
TAP: self tapping

TTH: torx truss head

Contents

Frame and Axle Assembly	4
Hub Assembly No. 125-8171	6
Drum, Paddle and Bearing Assembly	8
Drive Assembly	10
Pinion Assembly No. 131-5704	12
Cowl Assembly	14
Attachments and Accessories	16

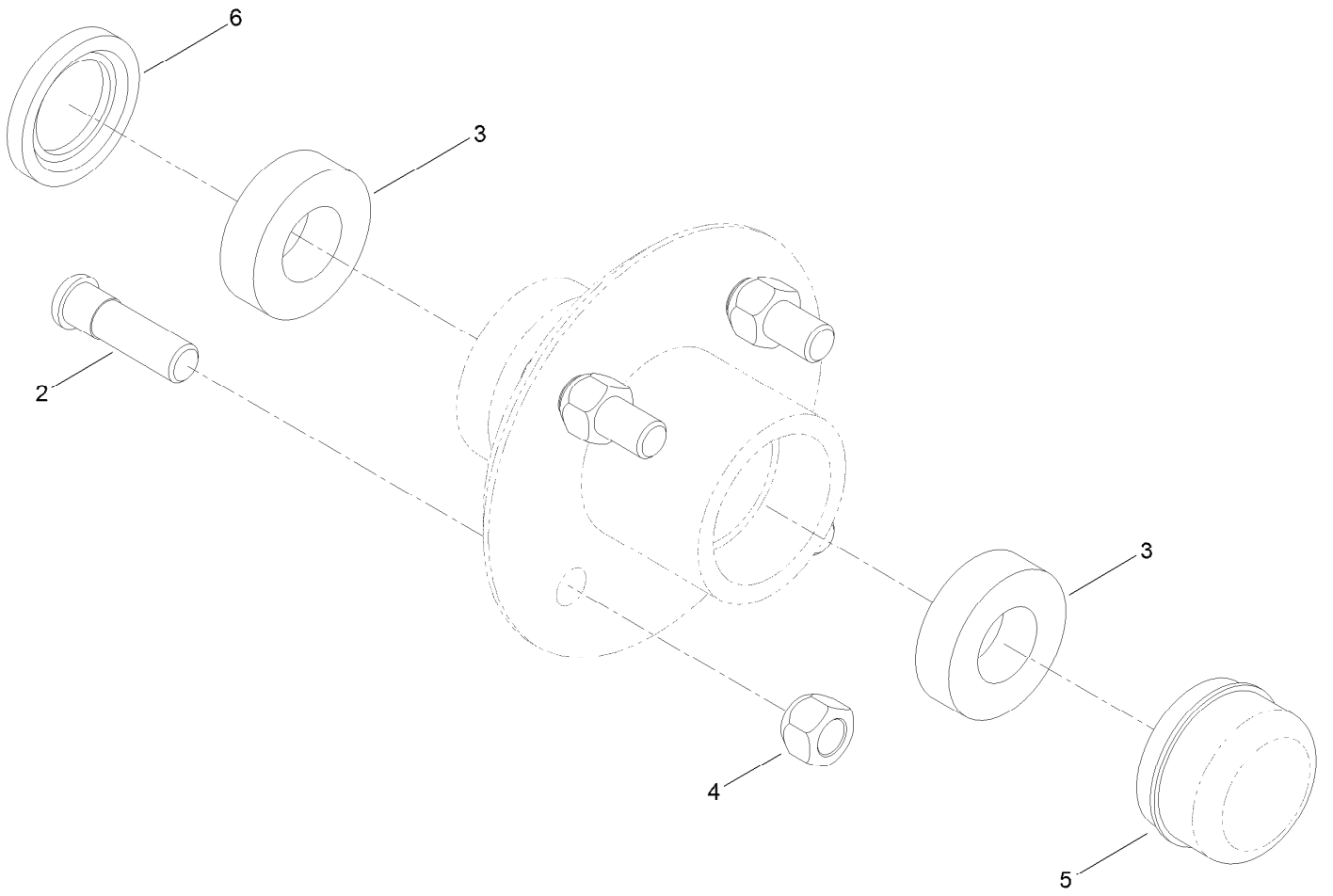
Frame and Axle Assembly



Frame and Axle Assembly (continued)

<i>Ref.</i>	<i>Part Number</i>	<i>Qty.</i>	<i>Description</i>	<i>Ref.</i>	<i>Part Number</i>	<i>Qty.</i>	<i>Description</i>
1	127-1693	1	Frame ASM	13	104-8301	1	Nut-Flange, NI
1:2	125-8216	1	Decal-Safety Chain, Towing	14	ST80536	4	Screw-HH
2	ST24027-03	1	Latch-Drum	15	32128-39	4	Nut-HHF
3	125-8219-03	1	Support-Axle	16	100-6116	4	Screw-HHF
4	ST22512-03	2	Axle-Half	17	99-5107	4	Nut-Lock
5	125-8171	2	Hub ASM	18	ST34687	1	Grip-Handle
6	ST32116	2	Bushing-Flange	19	ST32307	2	Tire And Rim ASM
7	ST39570-03	1	Lever-Clutch	20	325-33	1	Screw-HH
8	ST39446	1	Link-Clutch	21	3296-23	1	Nut-Lock, NI
9	32121-69	1	Pin-Spring	27	3256-28	2	Washer-Flat
10	ST32099	1	Bushing-Flange	28	ST80054	2	Nut
11	ST26326	2	Washer-Flat	29	3272-13	2	Pin-Cotter
12	ST81153	1	Screw-HSBH				

Hub Assembly No. 125-8171

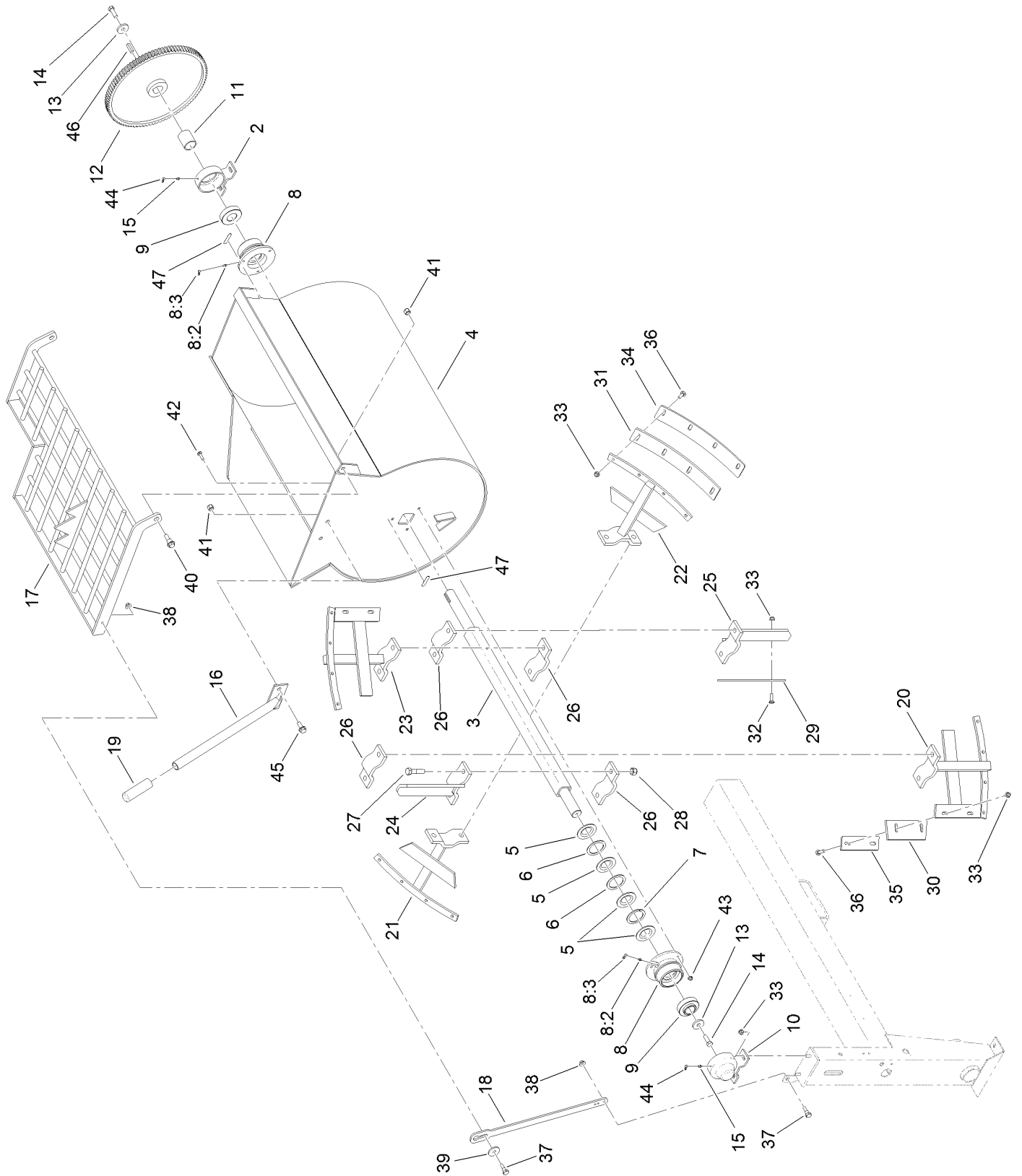


Hub Assembly No. 125-8171 (continued)

<i>Ref.</i>	<i>Part Number</i>	<i>Qty.</i>	<i>Description</i>
2	ST39190	4	Stud-Wheel
3	ST32233	2	Bearing-Roller
4	ST80045	4	Nut-Lug

<i>Ref.</i>	<i>Part Number</i>	<i>Qty.</i>	<i>Description</i>
5	ST34573	1	Cap-Dust
6	ST32052	1	Seal-Hub, Wheel

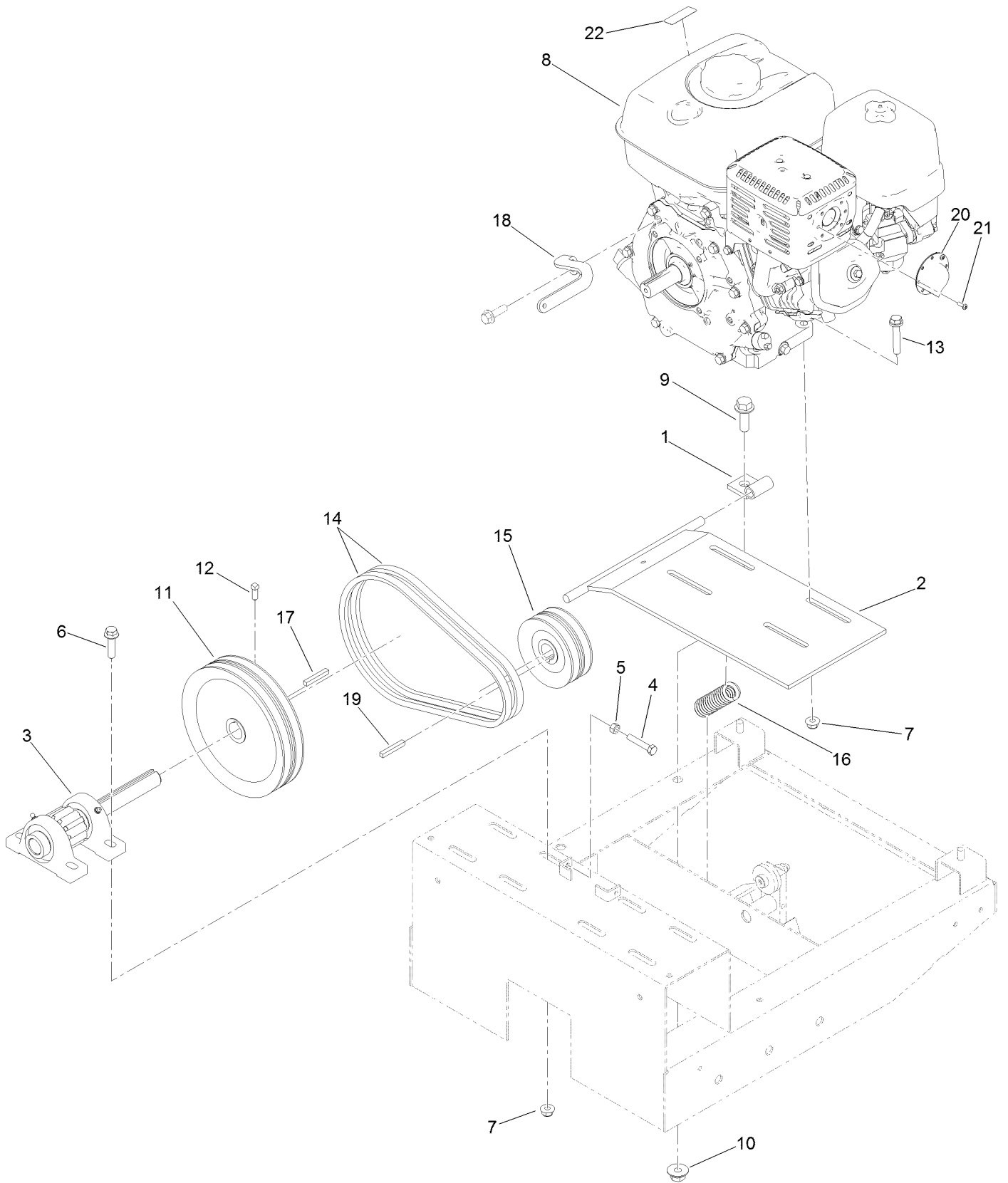
Drum, Paddle and Bearing Assembly



Drum, Paddle and Bearing Assembly (continued)

<i>Ref.</i>	<i>Part Number</i>	<i>Qty.</i>	<i>Description</i>	<i>Ref.</i>	<i>Part Number</i>	<i>Qty.</i>	<i>Description</i>
2	ST24021-01	1	Trunnion	24	ST57093BD-01	1	Paddle-Pusher
3	ST57631BD-01	1	Shaft-Paddle	25	ST57094BD-01	1	Paddle-Pusher
4	ST57074BD-01	1	Drum	26	ST26882-01	4	Clamp-Paddle
5	ST32324	8	Seal-Drum	27	ST80084	10	Screw-HH
6	ST24017	4	Washer-Flat	28	3296-53	10	Nut-Lock, NI
7	ST25881	2	Washer-Split	29	ST57086BD-01	2	Bar-Backer, Pusher End
8	132-4117	2	Kit-Housing, Bearing	30	ST57089BD	2	Blade-Rubber, Mixer End
8:2	ST46042	1	Fitting-Grease	31	ST57090BD	4	Blade-Rubber, Mixer Top
8:3	ST47001	1	Cap-Plug	32	3231-25	4	Bolt-CARR
9	ST32003	2	Bearing-Ball	33	104-8301	28	Nut-Flange, NI
10	ST36574-01	1	Trunnion-Capped	34	ST57084BD-01	4	Bar-Backer, Top
11	ST25909	1	Spacer-Shaft, Drum	35	ST57082BD-01	2	Bar-Backer, End
12	ST26933-03	1	Gear-94 Teeth	36	3231-4	20	Screw-CARR
13	ST26326	2	Washer-Flat	37	80-1300	2	Bolt-Shoulder
14	325-6	2	Screw-HH	38	32128-43	2	Nut-Flange
15	ST46042	4	Fitting-Grease	39	106-2008	1	Washer-Thrust
16	ST24763-01	1	Handle-Dump	40	116-0780	2	Screw-Shoulder, HHF
17	125-8158-01	1	Guard-Drum	41	3296-23	4	Nut-Lock, NI
18	125-8163-03	1	Guard-Lifter	42	3230-3	6	Screw-CARR
19	ST47023	1	Grip-Hand	43	104-8300	6	Nut-Flange, NI
20	ST57047BD-01	1	Paddle-Front	44	ST47001	4	Cap-Plug
21	ST57048BD-01	1	Paddle-Mid	45	3234-38	2	Screw-HHF
22	ST57049BD-01	1	Paddle-Mid	46	ST81060	1	Key-Square
23	ST57050BD-01	1	Paddle-Rear	47	125-8175	2	Decal-Grease

Drive Assembly

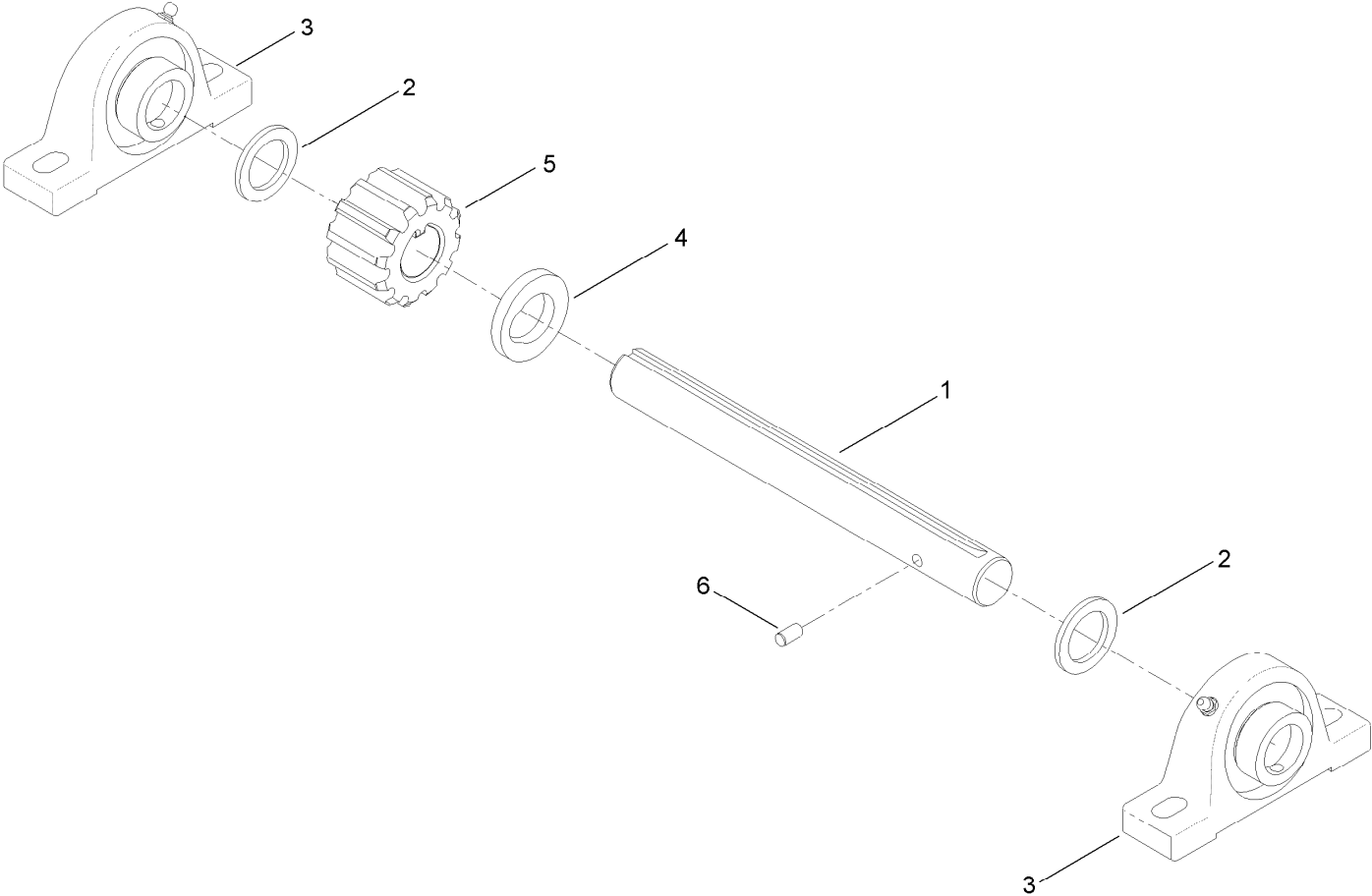


Drive Assembly (continued)

<i>Ref.</i>	<i>Part Number</i>	<i>Qty.</i>	<i>Description</i>	<i>Ref.</i>	<i>Part Number</i>	<i>Qty.</i>	<i>Description</i>
1	ST57786-03	2	Mount-Motor	12	120-6474	2	Screw-Set, SQH
2	ST39557-03	1	Base-Motor	13	108-3742	4	Screw-HHF
3	131-5704	1	Pinion ASM	14	ST34052	2	Belt-V
4	322-41	1	Screw-HH	15	ST38449	1	Sheave
5	3217-6	1	Nut-Hex	16	ST34849	1	Spring
6	114-4681	4	Screw-HHF	17	7-0238	1	Key-Square
7	104-8301	8	Nut-Flange, NI	18	127-1665-03	1	Guide-Belt
8	125-4812	1	Engine-Honda, Gx240 ●	19	7-0238	1	Key-Square
9	100-6116	2	Screw-HHF	20	120-1886	1	Deflector-Exhaust
10	32128-56	2	Nut-HF	21	363-8245	3	Screw-TAP
11	ST38450	1	Sheave	22	130-8322	1	Decal-Warning, Ethanol

● Obtain parts from www.honda-engines.com

Pinion Assembly No. 131-5704

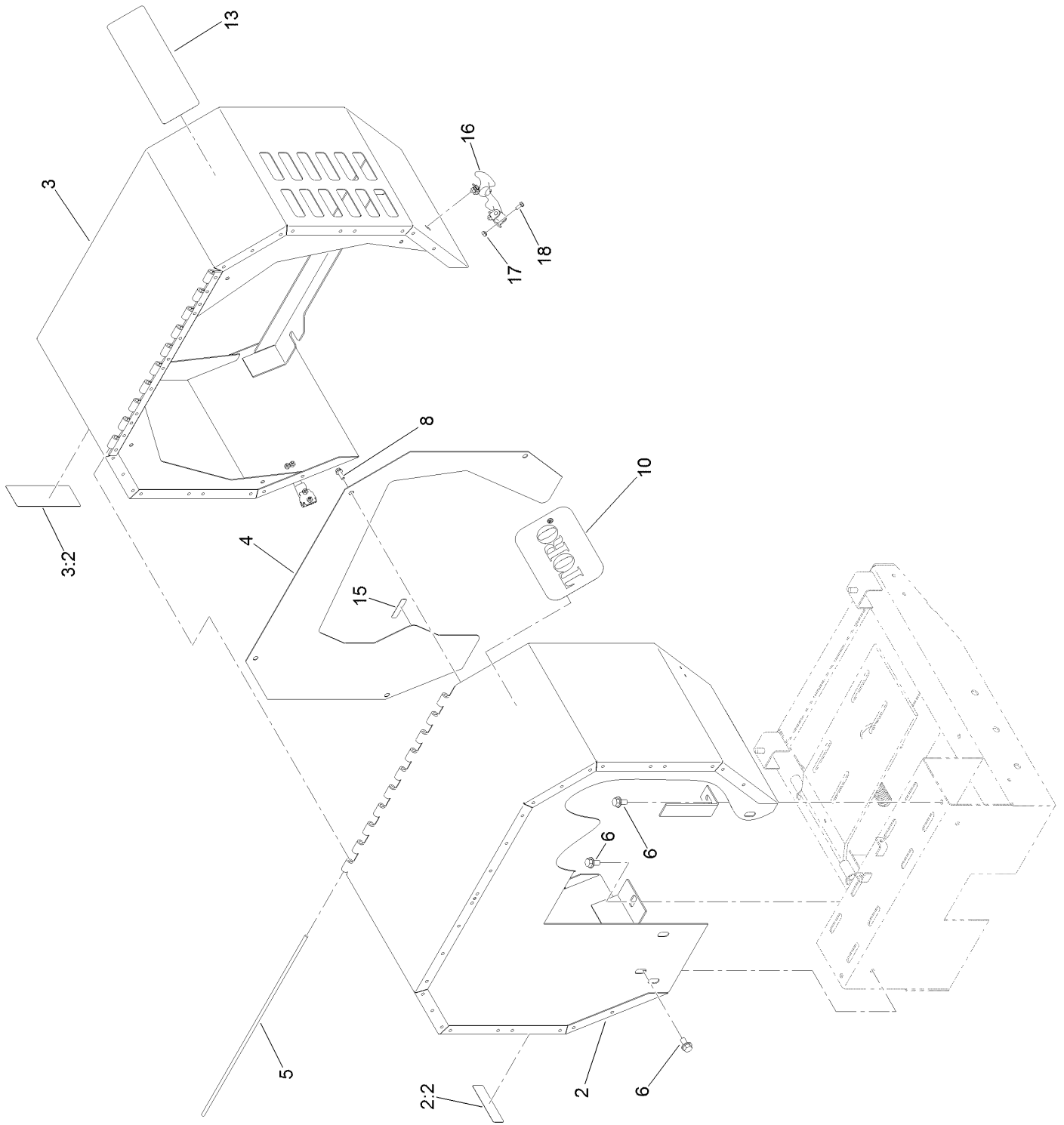


Pinion Assembly No. 131-5704 (continued)

<i>Ref.</i>	<i>Part Number</i>	<i>Qty.</i>	<i>Description</i>
1	131-5705	1	Shaft-Pinion
2	3-8514	2	Washer-Thrust
3	ST32208	2	Bearing-Block, Pillow

<i>Ref.</i>	<i>Part Number</i>	<i>Qty.</i>	<i>Description</i>
4	131-5706	1	Washer
5	ST57625	1	Gear-Spur
6	95-0715	1	Pin-Dowel

Cowl Assembly



Cowl Assembly (continued)

<i>Ref.</i>	<i>Part Number</i>	<i>Qty.</i>	<i>Description</i>	<i>Ref.</i>	<i>Part Number</i>	<i>Qty.</i>	<i>Description</i>
2	127-1694	1	Stationary Cowl ASM	8	115-5103	4	Screw-HHF
2:2	117-2718	1	Decal-Arrester, Spark	10	67-7320	2	Decal
3	127-1695	1	Movable Cowl ASM	13	131-5732	2	Decal
3:2	125-4939	1	Decal-Warning	15	125-8175	1	Decal-Grease
4	ST57067BD-03	1	Panel	16	ST35289	2	Latch-Flex, Draw
5	ST44368	1	Pin	17	3296-2	8	Nut-Lock, NI
6	110-9380	6	Screw-HWH	18	3290-321	8	Screw-HWH

Attachments and Accessories

For 68023 MMXD-958H-S Mortar Mixer

Product Name	Model/Part
50in Forged Tow Pole Hitch	68057
50in Pintel Tow Pole Hitch	68059
50in Stamped Tow Pole Hitch	68061
Trailer Light Kit.....	68062

Notes:

Notes:

Notes:



Count on it.