



**Count on it.**

**Parts Catalog**

**MMX-850E-S**

**Mortar Mixer**

Model No. 60219—Serial No. 315000001 and Up



# Ordering Replacement Parts

To order replacement parts, please supply the part number, the quantity, and the description of each part desired.

## Understanding Reference Numbers

Each identified part in an illustration has a reference number. The reference number for a part also appears in the parts list, along with other information about the part.

This catalog uses two special reference number formats, one to indicate parts in a service assembly and another to indicate the quantity of a given part in an illustration.

## Service Assembly Reference Numbers

Parts in service assemblies have reference numbers in the form a:b. The a represents the reference number of the entire service assembly and the b represents a sequential number unique to each part within the service assembly.

For example, a wheel assembly might be identified by reference number 6, the tire by 6:1, the valve by 6:2, and the wheel by 6:3. When you order the assembly identified by reference number 6, you receive all parts identified by reference numbers 6:1, 6:2, and 6:3. However, you may also order any part individually. Reference numbers of this type appear in illustration and in parts lists.

## Reference Numbers Indicating Quantity

In an illustration, if a reference number indicates more than one part, the reference number has the form nX y. The n represents the quantity of the part, the X is the multiplication symbol, and the y represents the reference number.

For example, in an illustration, the reference number 2X 37 means that two of the parts identified by reference number 37 are indicated.

# List of Abbreviations

**AR:** as required

**ASM:** assembly

**BBC:** blade brake control

**BHTF:** button head thread forming

**CARR:** carriage

**CCW:** counter clockwise

**CW:** clockwise

**DEG:** degrees

**DPA:** Dual Point Adjustment

**ECM:** electronic control module

**EXT:** external

**FH:** flat head

**GA:** gauge

**HD:** heavy-duty

**HF:** hex flange

**HH:** hex head

**HHF:** hex head flange

**HHFTF:** hex head flange thread forming

**HJ:** hex jam

**HLH:** hex lag head

**HOC:** height-of-cut

**HP:** high pressure

**HSBH:** hex socket button head

**HSFH:** hex socket flat head

**HSH:** hex socket head

**HWH:** hex washer head

**HWHTF:** hex washer head thread forming

**HYD:** hydraulic

**LH:** left hand

**LP:** low pressure

**LPG:** Liquefied Petroleum Gas

**NI:** nylon insert

**NPTF:** national pipe thread fine

**PFH:** phillips flat head

**PPH:** phillips pan head

**PPHTF:** phillips pan head thread forming

**PRH:** phillips round head

**PTH:** phillips truss head

**PTO:** power-take-off

**RH:** right hand

**ROPS:** roll-over protection system

**RRB:** rear roller brush

**SFH:** slotted fillister head

**SHH:** slotted hex head

**SHWH:** slotted hex washer head

**SPH:** slotted pan head

**SQH:** square head

**SRH:** slotted round head

**STD:** standard

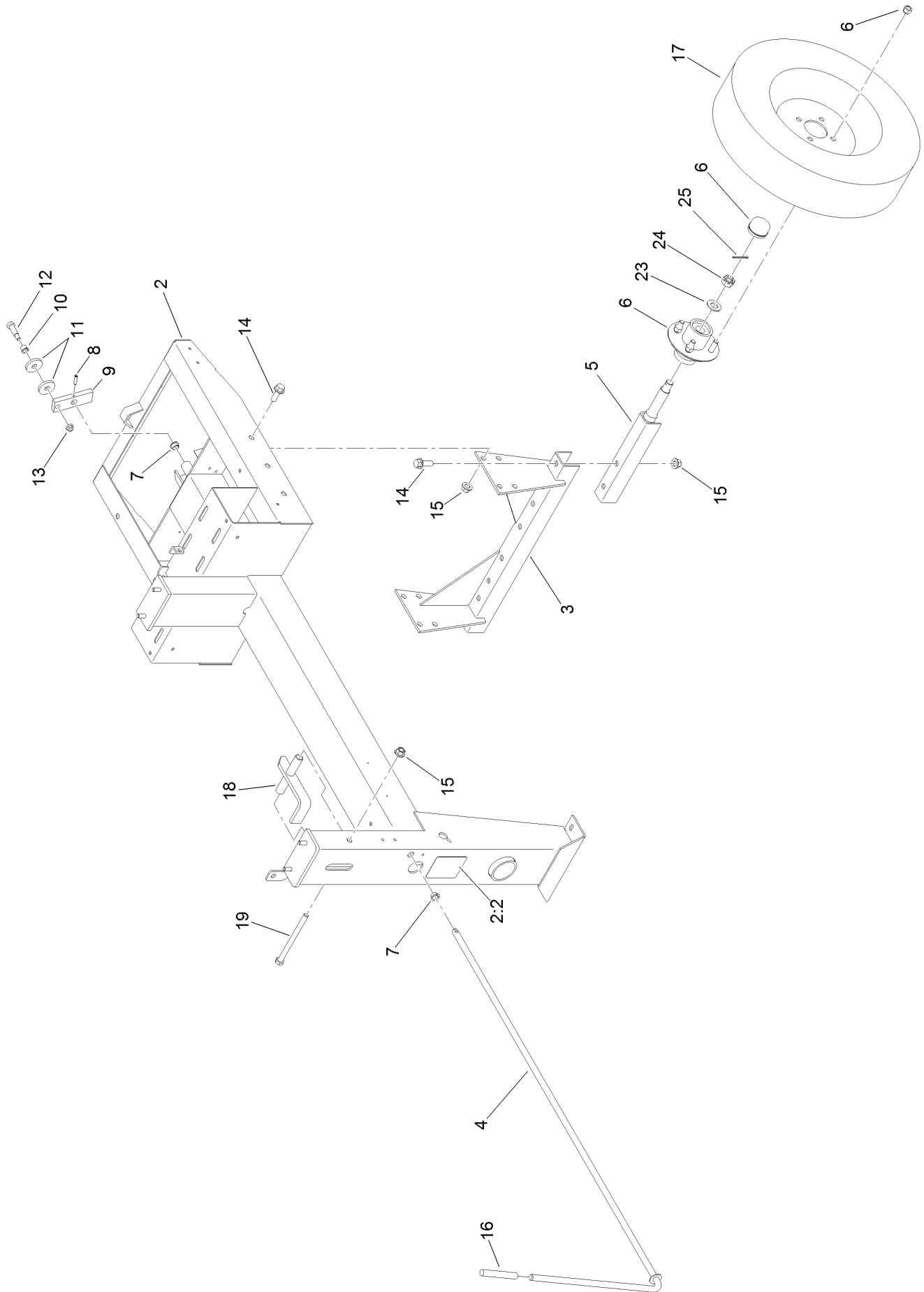
**TAP:** self tapping

**TTH:** torx truss head

# Contents

Frame and Axle Assembly .....	4
Hub Assembly No. 125-8171 .....	6
Drum, Paddle and Bearing Assembly .....	8
Drive Assembly .....	10
Pinion Assembly No. 131-5704 .....	12
Idler Assembly No. ST21300 .....	14
Cowl Assembly .....	16
Attachments and Accessories .....	18

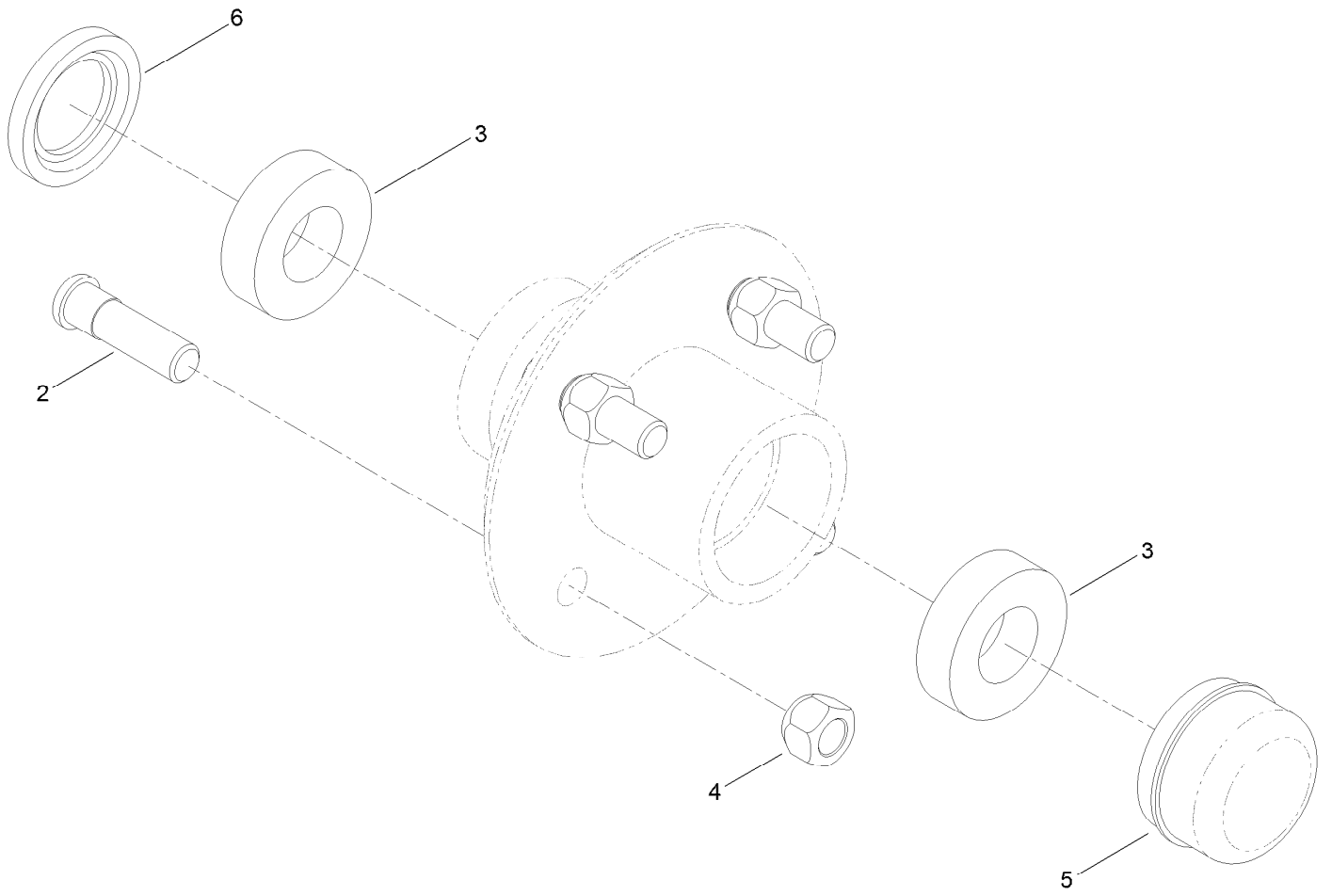
# Frame and Axle Assembly



## Frame and Axle Assembly (continued)

<i>Ref.</i>	<i>Part Number</i>	<i>Qty.</i>	<i>Description</i>	<i>Ref.</i>	<i>Part Number</i>	<i>Qty.</i>	<i>Description</i>
2	131-7533	1	Frame ASM	12	ST81153	1	Screw-HSBH
2:2	125-8216	1	Decal-Safety Chain, Towing	13	104-8301	1	Nut-Flange, NI
3	125-8219-03	1	Support-Axle	14	100-6116	8	Screw-HHF
4	131-5253-03	1	Lever-Clutch	15	99-5107	9	Nut-Lock
5	ST22512-03	2	Axle-Half	16	ST34687	1	Grip-Handle
6	125-8171	2	Hub ASM	17	ST32307	2	Tire And Rim ASM
7	ST32116	2	Bushing-Flange	18	ST24027-03	1	Latch-Drum
8	32121-69	1	Pin-Spring	19	325-33	1	Screw-HH
9	ST39446	1	Link-Clutch	23	3256-28	2	Washer-Flat
10	ST32099	1	Bushing-Flange	24	ST80054	2	Nut
11	ST26326	2	Washer-Flat	25	3272-13	2	Pin-Cotter

# Hub Assembly No. 125-8171

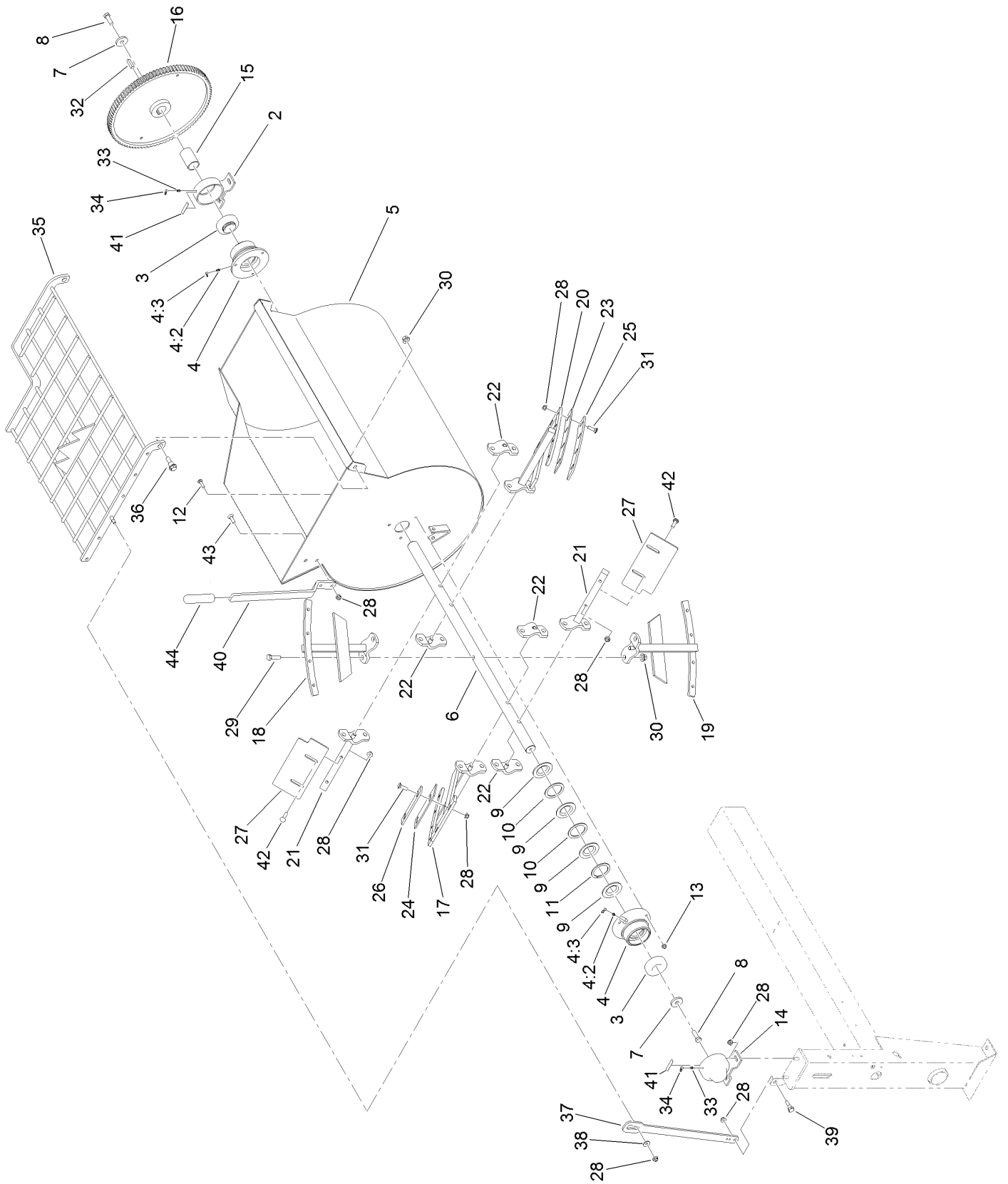


## Hub Assembly No. 125-8171 (continued)

<i>Ref.</i>	<i>Part Number</i>	<i>Qty.</i>	<i>Description</i>
2	ST39190	4	Stud-Wheel
3	ST32233	2	Bearing-Roller
4	ST80045	4	Nut-Lug

<i>Ref.</i>	<i>Part Number</i>	<i>Qty.</i>	<i>Description</i>
5	ST34573	1	Cap-Dust
6	ST32052	1	Seal-Hub, Wheel

# Drum, Paddle and Bearing Assembly

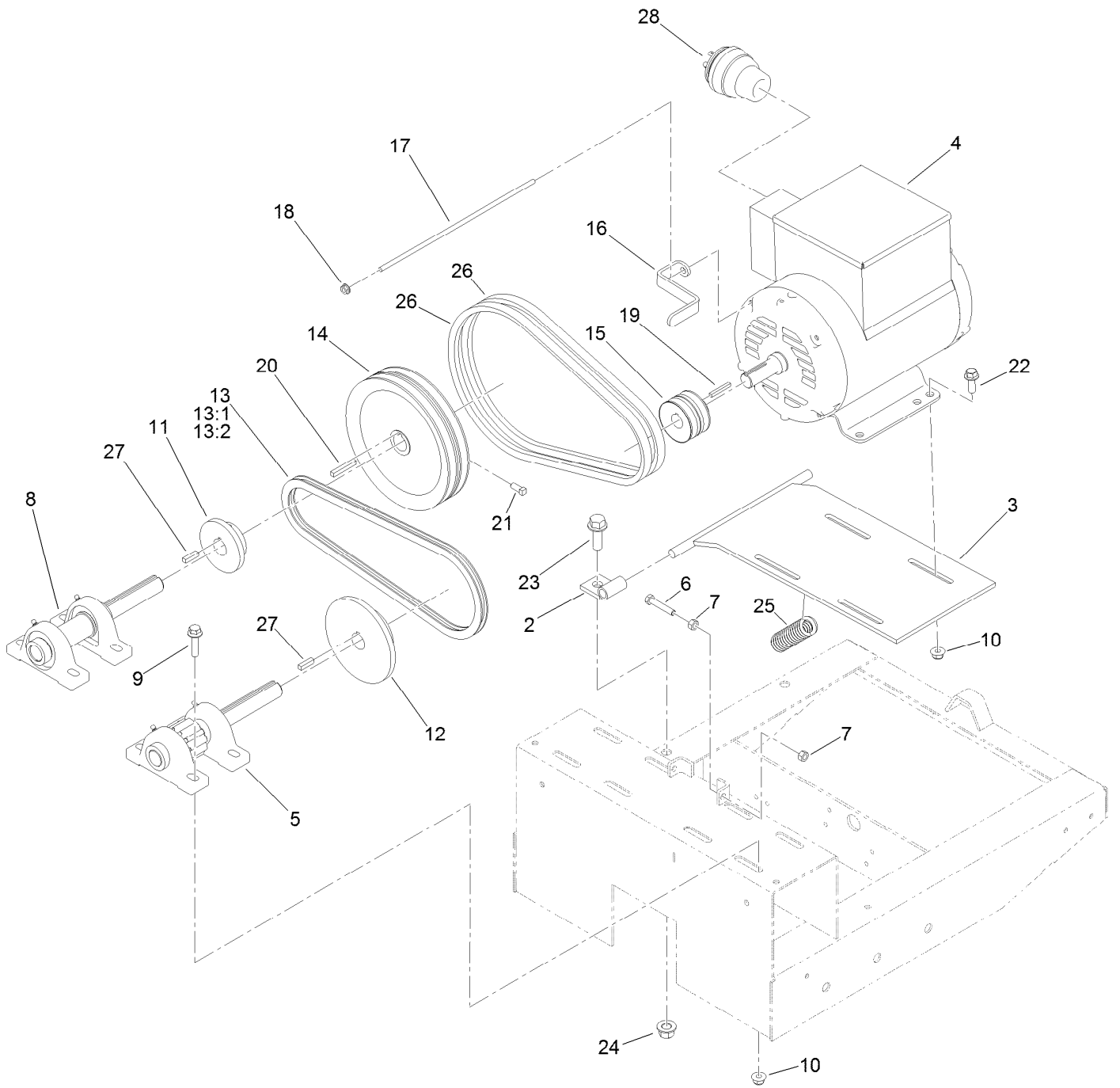




## Drum, Paddle and Bearing Assembly (continued)

<i>Ref.</i>	<i>Part Number</i>	<i>Qty.</i>	<i>Description</i>	<i>Ref.</i>	<i>Part Number</i>	<i>Qty.</i>	<i>Description</i>
2	ST24021-01	1	Trunnion	23	131-5260	4	Paddle-Rubber, Top
3	ST32003	2	Bearing-Ball	24	131-5261	2	Paddle-Rubber, Mixer End
4	132-4117	2	Kit-Housing, Bearing	25	131-5257-01	4	Bar-Backer, Top
4:2	ST46042	1	Fitting-Grease	26	131-5722-01	2	Bar-Backer, End
4:3	ST47001	1	Cap-Plug	27	131-5717-01	2	Bar-Backer, Pusher End
5	130-2255-01	1	Drum	28	104-8301	32	Nut-Flange, NI
6	130-2274-01	1	Shaft-Paddle	29	325-7	10	Screw-HH
7	ST26326	2	Washer-Flat	30	99-5107	12	Nut-Lock
8	325-6	2	Screw-HH	31	3231-25	20	Bolt-CARR
9	ST32324	8	Seal-Drum	32	ST81060	1	Key-Square
10	ST24017	4	Washer-Flat	33	ST46042	4	Fitting-Grease
11	ST25881	2	Washer-Split	34	ST47001	4	Cap-Plug
12	3230-3	6	Screw-CARR	35	130-2265-01	1	Guard-Drum, 85Mm
13	104-8300	6	Nut-Flange, NI	36	116-0780	2	Screw-Shoulder, HHF
14	ST36574-01	1	Trunnion-Capped	37	131-5288-03	1	Arm-Lift, Grate
15	131-5276	1	Spacer-Shaft	38	80-6990	1	Washer-Hardened
16	ST26933-03	1	Gear-94 Teeth	39	80-1300	1	Bolt-Shoulder
17	130-2281-01	1	Paddle-Leading	40	131-7527-01	1	Handle-Dump
18	130-2275-01	1	Paddle-Mid	41	125-8175	2	Decal-Grease
19	130-2277-01	1	Paddle-Mid	42	3231-29	4	Screw-CARR
20	130-2283-01	1	Paddle-Trailing	43	3231-28	2	Screw-CARR
21	130-2282-01	2	Paddle-Pusher	44	104-9838	1	Grip-Foam
22	ST24107-01	4	Clamp				

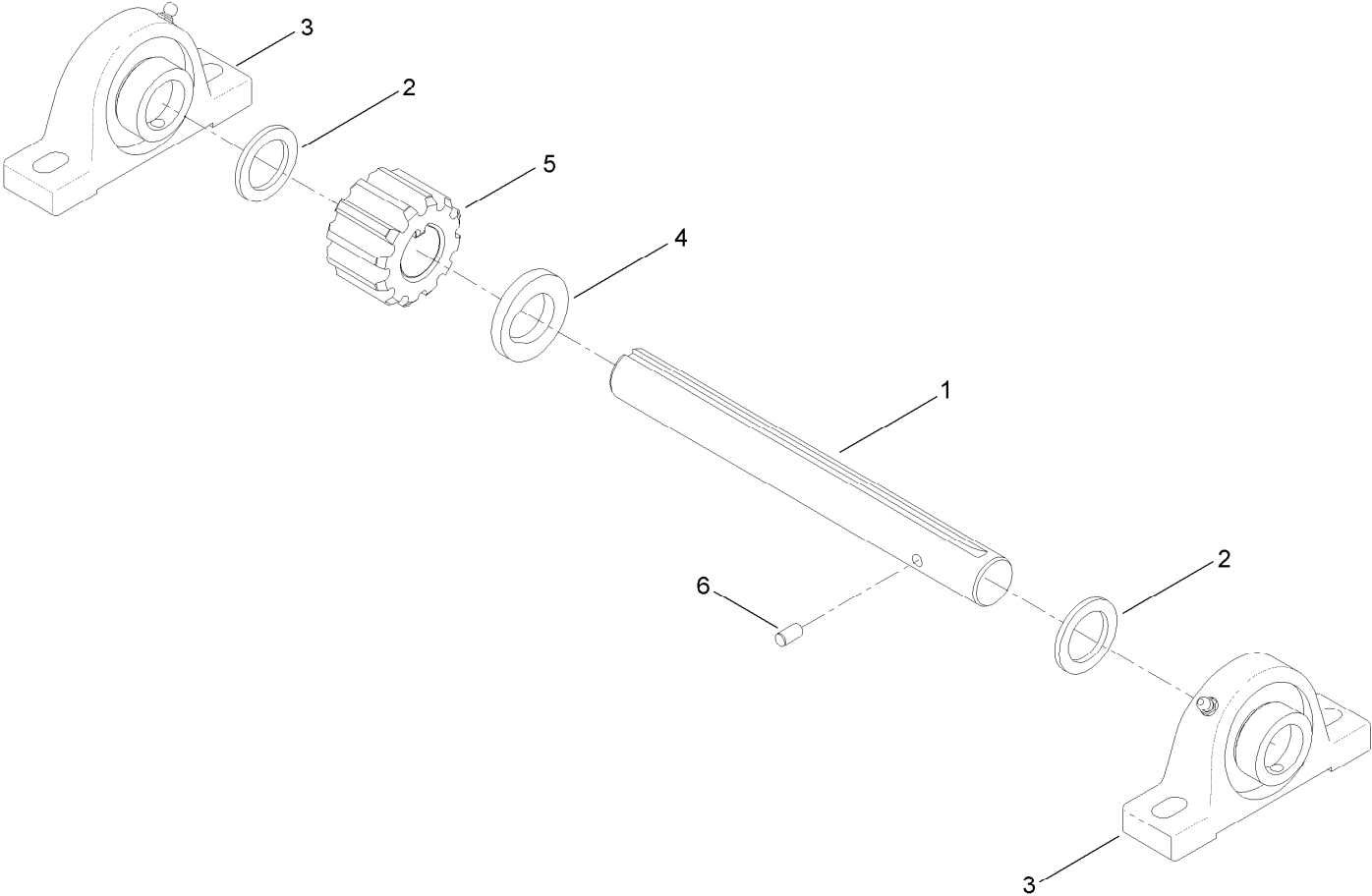
# Drive Assembly



## Drive Assembly (continued)

<i>Ref.</i>	<i>Part Number</i>	<i>Qty.</i>	<i>Description</i>	<i>Ref.</i>	<i>Part Number</i>	<i>Qty.</i>	<i>Description</i>
2	ST57786-03	2	Mount-Motor	15	ST38666	1	Sheave
3	ST39567-03	1	Base-Motor	16	ST42446-03	1	Guide-Belt
4	125-6255	1	Motor-Electric	17	ST28826	1	Rod-Threaded
5	131-5707	1	Pinion ASM	18	32128-14	1	Nut-HF
6	322-41	2	Screw-HH	19	ST37716	1	Key-Square
7	3217-6	4	Nut-Hex	20	7-0238	1	Key-Square
8	ST21300	1	Idler ASM	21	120-6474	2	Screw-Set, SQH
9	114-4681	8	Screw-HHF	22	3234-42	4	Screw-HHF
10	104-8301	12	Nut-Flange, NI	23	100-6116	2	Screw-HHF
11	ST34126	1	Sprocket	24	99-5107	2	Nut-Lock
12	ST34127	1	Sprocket	25	ST34849	1	Spring
13	ST21184	1	Chain Set	26	ST34617	2	Belt-V
13:1	ST34102	3	Chain	27	5-7280	2	Key
13:2	ST34104	1	Link-Connecting, No. 50	28	127-1678	1	Plug
14	ST38450	1	Sheave				

# Pinion Assembly No. 131-5704

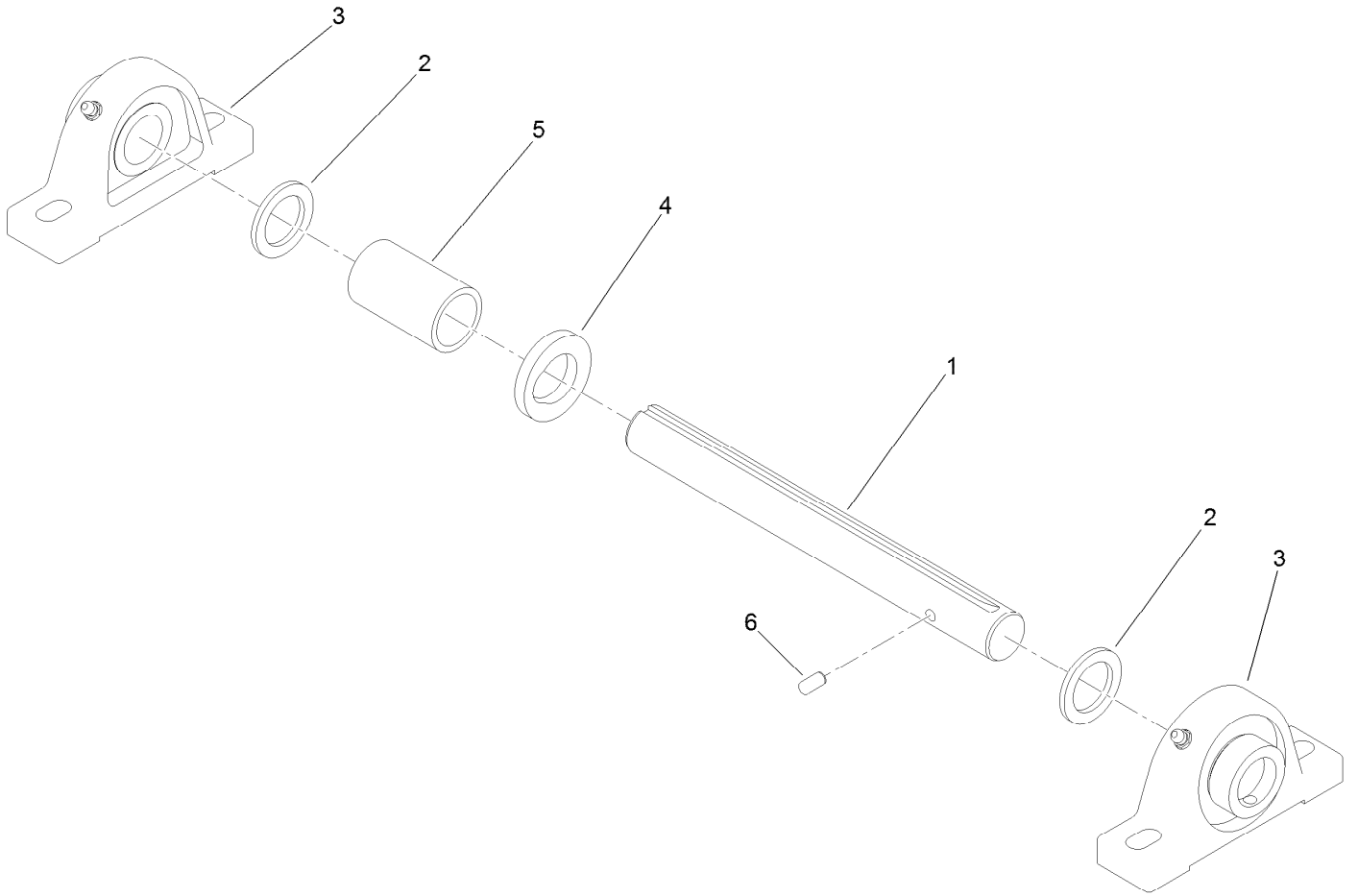


## Pinion Assembly No. 131-5704 (continued)

<i>Ref.</i>	<i>Part Number</i>	<i>Qty.</i>	<i>Description</i>
1	131-5705	1	Shaft-Pinion
2	3-8514	2	Washer-Thrust
3	ST32208	2	Bearing-Block, Pillow

<i>Ref.</i>	<i>Part Number</i>	<i>Qty.</i>	<i>Description</i>
4	131-5706	1	Washer
5	ST57625	1	Gear-Spur
6	95-0715	1	Pin-Dowel

# Idler Assembly No. ST21300

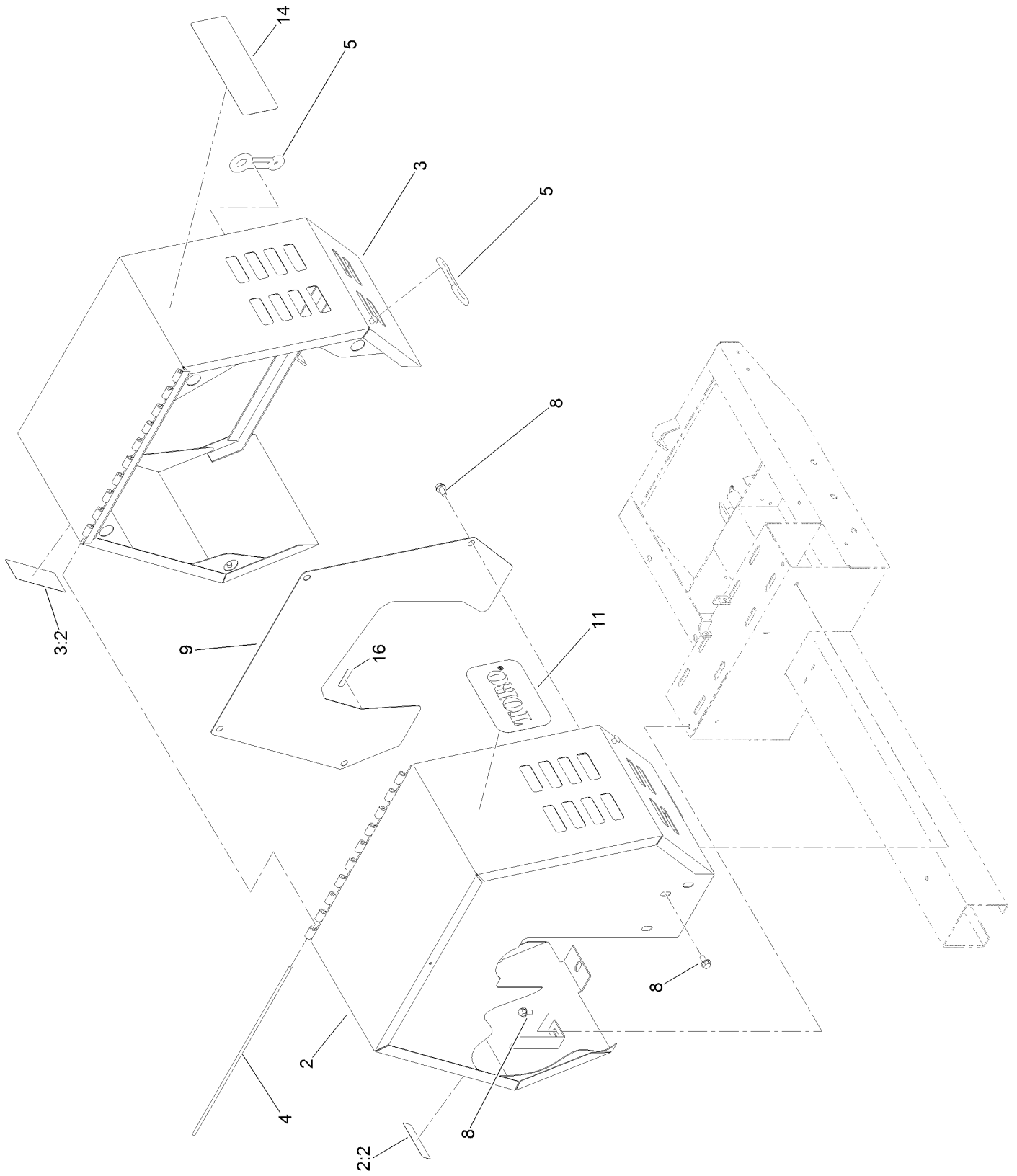


## Idler Assembly No. ST21300 (continued)

<i>Ref.</i>	<i>Part Number</i>	<i>Qty.</i>	<i>Description</i>
1	131-5705	1	Shaft-Pinion
2	3-8514	2	Washer-Thrust
3	ST32208	2	Bearing-Block, Pillow

<i>Ref.</i>	<i>Part Number</i>	<i>Qty.</i>	<i>Description</i>
4	131-5706	1	Washer
5	ST42966-03	1	Spacer-Idler
6	95-0715	1	Pin-Dowel

# Cowl Assembly





## Cowl Assembly (continued)

<i>Ref.</i>	<i>Part Number</i>	<i>Qty.</i>	<i>Description</i>	<i>Ref.</i>	<i>Part Number</i>	<i>Qty.</i>	<i>Description</i>
2	127-1683	1	Stationary Cowl ASM	8	110-9380	10	Screw-HWH
2:2	117-2718	1	Decal-Arrester, Spark	9	125-8166-03	1	Plate-Guard, Belt
3	127-1687	1	Movable Cowl ASM	11	67-7320	2	Decal
3:2	127-1652	1	Decal-Warning	14	131-5728	2	Decal
4	ST44368	1	Pin	16	125-8175	1	Decal-Grease
5	ST47182	3	Latch-Rubber				

# Attachments and Accessories

## For 60219 MMX-850E-S Mortar Mixer

<b>Product Name</b>	<b>Model/Part</b>
31in Forged Tow Pole Hitch .....	68056
31in Pintel Tow Pole Hitch .....	68058
31in Stamped Tow Pole Hitch .....	68060
Trailer Light Kit.....	68062

**Notes:**



**Count on it.**