



MODEL 350GT - 3.5 TON FLOOR JACK

UPDATED 10-05

PART		KIT INCLUDES	
ORDER NUMBER	KIT DESCRIPTION	REF. #	DESCRIPTION
			1
350GTK27A	RELEASE VALVE ASSEMBLY	27	RELEASE VALVE UNIVERSAL JOINT
350GTKRK	REPAIR KIT	H2 H2 H6 H10 H13 H14 H15 H16 H19 H21 H23 H24 H26 H27 H28 H32 H33 H35 H37 H38	O-RING SEAL WASHER INNER WASHER SPLIT PIN O-RING BALL BALL BALL SEAL WASHER RELIEF VALVE SPRING BALL O-RING RETAINING RING O-RING O-RING RETAINER O-RING (2) OIL FILL PLUG O-RING SEAL WASHER BALL
350GTKHU	HYDRAULIC UNIT	28	COMPLETE HYDRAULIC POWER UNIT
350GTK3	FRONT WHEEL ASSEMBLY	3 2 1	FRONT WHEEL WASHER RETAINING RING
350GTK12	REAR CASTER ASSEMBLY	12 11 10	REAR CASTER SPRING WASHER NUT M18
350GTK24C	HANDLE COMPLETE	25 26 24 23	UPPER HALF OF HANDLE CENTER BOLT LOWER HALF HANDLE HANDLE BUMPER
350GTK20	BOLT	20	HANDLE RETAINING BOLT
350GTK20C	YOKE ASSEMBLY	16 17 20 21 22	BOLT x (2) SPRING WASHER (2) BOLT HANDLE SOCKET TORSION SPRING
350GTK40	SADDLE COMPLETE	40 41	SADDLE RUBBER COVER

*** ONLY PARTS WITH A "PART ORDER NUMBER" ARE AVAILABLE FOR SALE.
DO NOT COPY OR DISTRIBUTE THIS MATERIAL WITHOUT PERMISSION OF AFF, INC.**



MODEL 350GT - 3.5 TON FLOOR JACK

UPDATED 7-04

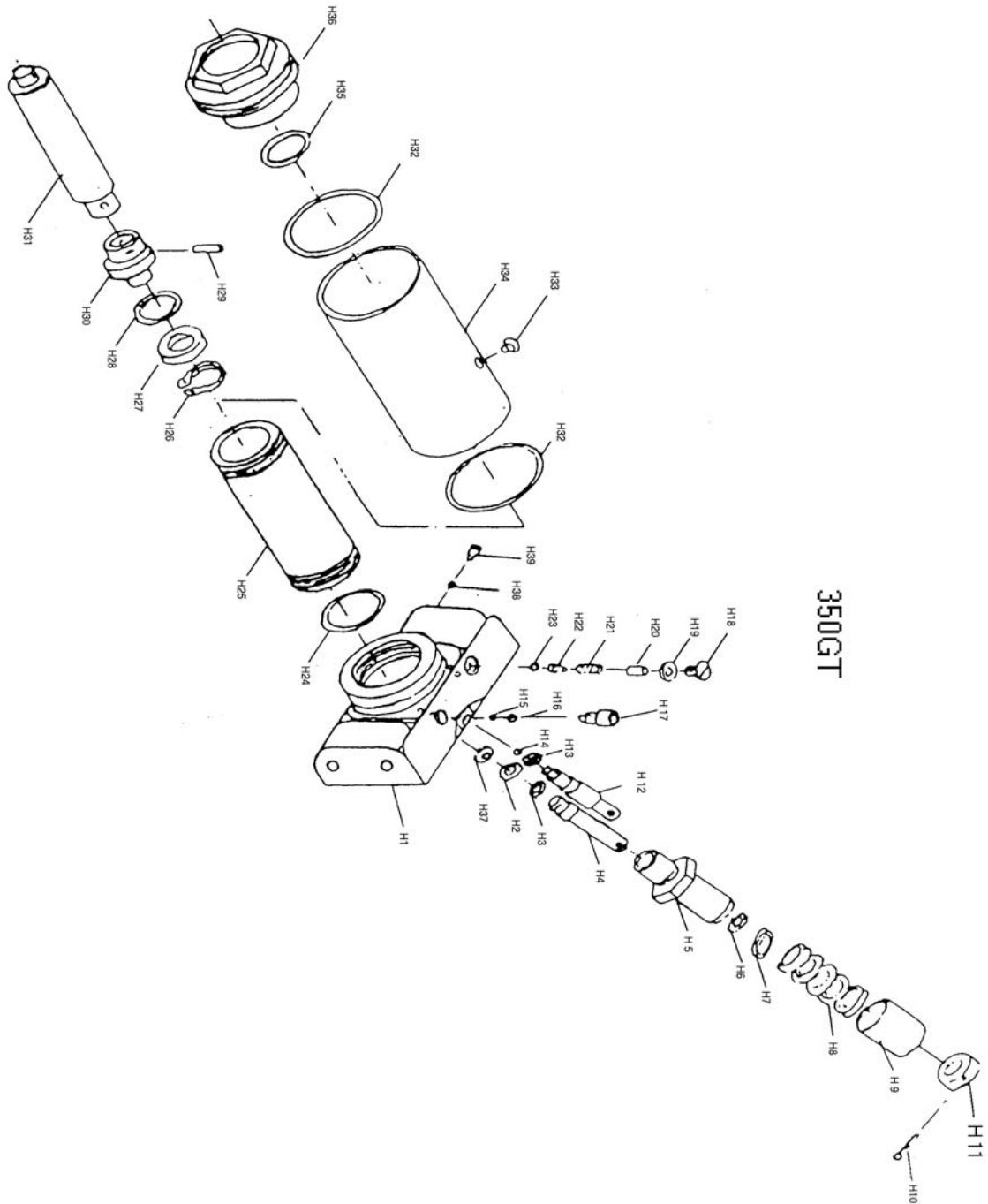
PART		KIT INCLUDES	
ORDER NUMBER	KIT DESCRIPTION	REF. #	DESCRIPTION
350GTK22	HANDLE SPRING	22	TORSION SPRING
350GTK5A	PLUNGER ASSEMBLY	H2 H3 H4 H5 H6 H7 H8 H9 H10 H11 H37	WASHER O-RING PUMP CORE PUMP CASE INNER WASHER PUMP INNER CASE PRESS SPRING PUMP OUTER CASE SPLIT PIN PUMP COVER SEAL WASHER
NOT AVAILABLE		4	SIDE PLATE
NOT AVAILABLE		5	BOLT
NOT AVAILABLE		6	WASHER
NOT AVAILABLE		7	HEX NUT
NOT AVAILABLE		8	SPRING WASHER
NOT AVAILABLE		9	HEX BOLT
NOT AVAILABLE		13	PULL ROD
NOT AVAILABLE		14	WASHER
NOT AVAILABLE		15	HEX NUT
NOT AVAILABLE		18	MACHINE SCREW (4)
NOT AVAILABLE		19	INSPECTION PLATE
NOT AVAILABLE		29	spring
NOT AVAILABLE		30	SPLIT PIN
NOT AVAILABLE		31	TRACK RING
NOT AVAILABLE		32	BLOCK LINKAGE
NOT AVAILABLE		33	HEX NUT
NOT AVAILABLE		34	WASHER
NOT AVAILABLE		35	SHAFT ARM
NOT AVAILABLE		36	GREASE FITTING
NOT AVAILABLE		37	LONG LINKAGE
NOT AVAILABLE		38	RETAINING RING
NOT AVAILABLE		39	LIFT ARM ASSEMBLY
PARTS LISTED BELOW ONLY AVAILABLE IN 350GTKHU			
NOT AVAILABLE	SEPARATELY	1	VALVE BASE
NOT AVAILABLE	SEPARATELY	12	USE 350GTK27A
NOT AVAILABLE	SEPARATELY	17	HIGH PRESSURE BOLT
NOT AVAILABLE	SEPARATELY	18	BOLT
NOT AVAILABLE	SEPARATELY	20	REGULATE BOLT
NOT AVAILABLE	SEPARATELY	22	SPRING SEAT
NOT AVAILABLE	SEPARATELY	25	CYLINDER
NOT AVAILABLE	SEPARATELY	29	PIN
NOT AVAILABLE	SEPARATELY	30	RAM HEADER
NOT AVAILABLE	SEPARATELY	31	RAM
NOT AVAILABLE	SEPARATELY	34	CYLINDER OUTER CASE
NOT AVAILABLE	SEPARATELY	36	TANK NUT

*** ONLY PARTS WITH A "PART ORDER NUMBER" ARE AVAILABLE FOR SALE.**

DO NOT COPY OR DISTRIBUTE THIS MATERIAL WITHOUT PERMISSION OF AFF, INC.



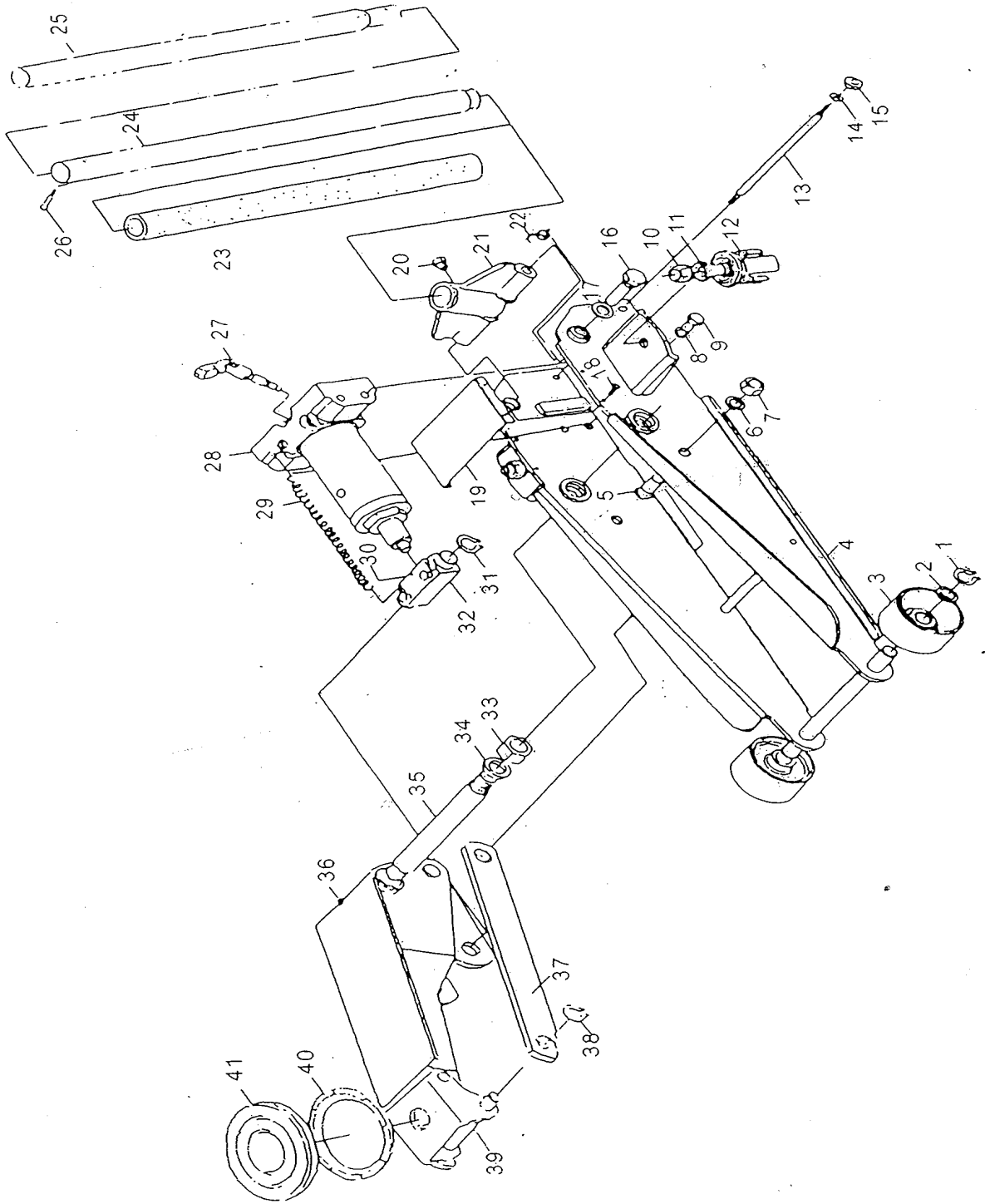
MODEL 350GT - HYDRAULIC UNIT



*** ONLY PARTS WITH A "PART ORDER NUMBER" ARE AVAILABLE FOR SALE.
DO NOT COPY OR DISTRIBUTE THIS MATERIAL WITHOUT PERMISSION OF AFF, INC.**



MODEL 350GT - EXPLODED VIEW



*** ONLY PARTS WITH A "PART ORDER NUMBER" ARE AVAILABLE FOR SALE.
DO NOT COPY OR DISTRIBUTE THIS MATERIAL WITHOUT PERMISSION OF AFF, INC.**