



TANDEM VIBRATORY ROLLER BW100SL-5 and BW120SL-5



KEY FEATURES

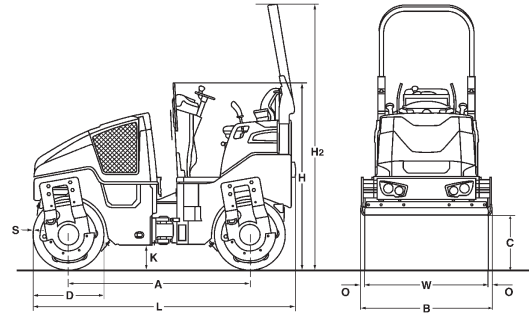
- Tier 4 final Kubota diesel engine without exhaust after-treatment system
- Easy & simple operations
- Wind protected water spray nozzles
- No daily grease points
- High frequency: 72Hz / 4320 VPM
- Maintenance free articulation

Technical Data

BW 100 SL-5, BW 120 SL-5

Shipping dimensions in ft³ (m³)

BW 100 SL-5	247 (7)
BW 120 SL-5	293 (8.3)



Standard Equipment

- Foldable ROPS with seat belt
- Hydrostatic travel and vibration drive
- Pressure sprinkler system with interval switch
- Suspended operator's platform
- 2 scrapers per drum, spring loaded and tiltable
- Multi-function travel lever
- Multi-function display incl. operating hour meter
- Water level
- Fuel level
- Electric fuel gauge
- Emergency STOP
- Individual control, vibration
- Intelligent Vibration Control (IVC)
- Integrated stowage compartment
- Adjustable operator's seat
- Lashing eyes, galvanized
- Back-up alarm
- Single point lifting device
- V-belt protection
- Vandalism protection
- Lockable engine hood made of composite material
- Working lights front and rear
- 12V socket
- Seat contact switch
- Plastic water tank
- Bolt-on oscillating/articulating joint

Optional Equipment

- Indicator and hazard lights
- Rotary beacon
- Battery disconnection switch
- Sliding seat
- ECONOMIZER
- Burglary protection
- Special paint

Dimensions in inches (mm)

	A	B	C	D	H	H2	K	L	O	S	W
BW 100 SL-5	69 (1752)	42 (1072)	20.6 (523)	27.6 (700)	71.2 (1808)	101 (2568)	10 (254)	99.6 (2529)	1.4 (36)	0.4 (10)	39.4 (1000)
BW 120 SL-5	69 (1752)	50 (1272)	20.6 (523)	27.6 (700)	71.2 (1808)	101 (2568)	10 (254)	99.6 (2529)	1.4 (36)	0.4 (10)	47.2 (1200)

Technical data

Weights

Operating weight w. ROPS	lb (kg)
Average static linear load	lb/in (kg/cm)

BOMAG BW 100 SL-5

Operating weight w. ROPS	5181 (2350)
Average static linear load	66.1 (11.8)

BOMAG BW 120 SL-5

Operating weight w. ROPS	5511 (2500)
Average static linear load	58.2 (10.4)

Driving Characteristics

Speed	mph (km/h)
Working speed with vibration	mph (km/h)
Max. gradeability without/with vibr.	%

Speed	0 – 5.6 (0 – 9)
Working speed with vibration	0 – 3.1 (0 – 5)
Max. gradeability without/with vibr.	40 / 30

Speed	0 – 5.6 (0 – 9)
Working speed with vibration	0 – 3.1 (0 – 5)
Max. gradeability without/with vibr.	40 / 30

Drive

Engine manufacturer	
Type	
Tier Compliance	
Cooling	
Number of cylinders	
Performance ISO 14396	kW
Performance SAE J 1995	hp
Speed	rpm
Electric equipment	V
Driven drum	

Engine manufacturer	Kubota
Type	D 1703-DI
Tier Compliance	Tier 4 Final
Cooling	water
Number of cylinders	3
Performance ISO 14396	18.5
Performance SAE J 1995	25
Speed	2200
Electric equipment	12
Driven drum	front + rear

Engine manufacturer	Kubota
Type	D 1703-DI
Tier Compliance	Tier 4 Final
Cooling	water
Number of cylinders	3
Performance ISO 14396	18.5
Performance SAE J 1995	25
Speed	2200
Electric equipment	12
Driven drum	front + rear

Brakes

Service brake	
Parking brake	
Steering	
Steering system	
Steering method	
Steering / oscillating angle +/-	deg
Crab steer offset – manual	in (mm)
Track radius, inner	in (mm)

Service brake	hydrost.
Parking brake	hydromec.
Steering	
Steering system	oscil.artic.
Steering method	hydrost.
Steering / oscillating angle +/-	32 / 10
Crab steer offset – manual	0 – 2 (0 – 50)
Track radius, inner	96.5 (2450)

Service brake	hydrost.
Parking brake	hydromec.
Steering	
Steering system	oscil.artic.
Steering method	hydrost.
Steering / oscillating angle +/-	32 / 10
Crab steer offset – manual	0 – 2 (0 – 50)
Track radius, inner	96.5 (2450)

Exciter System

Vibrating drum	
Drive system	
Frequency	VPM (Hz)
Amplitude	in (mm)
Centrifugal force	lb (kN)

Vibrating drum	front + rear
Drive system	hydrost.
Frequency	4320 (72)
Amplitude	0.020 (0.50)
Centrifugal force	7640 (34)

Vibrating drum	front + rear
Drive system	hydrost.
Frequency	4320 (72)
Amplitude	0.020 (0.50)
Centrifugal force	8993 (40)

Drum Water Spray System

Type	
------	--

Type	pressure with interval
------	------------------------

Type	pressure with interval
------	------------------------

Capacities

Fuel	gal (l)
Water	gal (l)

Fuel	9.2 (35)
Water	43.6 (165)

Fuel	9.2 (35)
Water	43.6 (165)

Technical modifications reserved. Machines may be shown with options.



BOMAG Americas, Inc.
125 Blue Granite Parkway
Ridgeway, SC 29130 • Tel: 803 337-0700