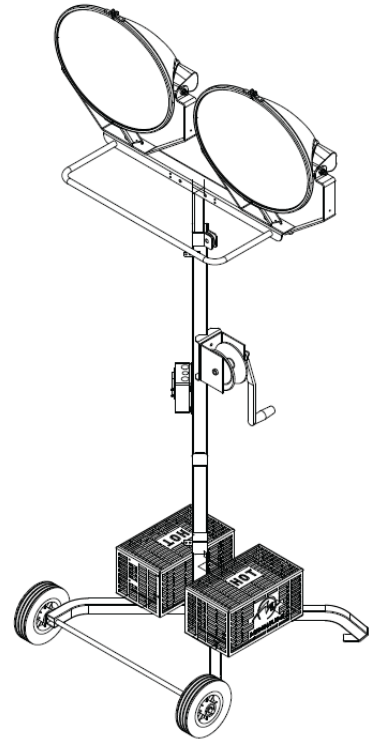


## Magnum Portable Light – MPL2000 Specifications

### LIGHT SET

- Two fixtures, metal halide - 1000 watts each
  - Quick disconnect connections
  - Tempered glass lenses
  - Silicone gaskets for moisture protection
- 360° horizontal and vertical rotation
- Individual floodlight switches with GFCI protection
- 120V 20 amp GFCI duplex outlets for auxiliary power
- Weatherproof wire connections, switch and receptacle box
- Galvanized, steel ballast boxes with protective heat shield
- High temperature AMW wiring
- Operating/parts manuals include wiring diagrams



### CARRIAGE & MAST

- Steel wheel base
  - 8" hard rubber tires for stability
  - 220 lb. combined wheel capacity
- 2-section, tubular steel mast
  - Easy-to-use winch to extend the mast
  - Equipped with built-in transportation handle
  - UV & fade resistant, high temperature cured, polyester powder paint

### WEIGHTS & DIMENSIONS

- 186 lbs.
- 32.5" x 34.0" – Width of base
- 7 ft. - mast retracted; 11 ft. - mast extended

### WARRANTY

- One year – limited warranty



1202 Ross Ave.  
Ammon, ID 83406  
www.dracoequipment.com  
backhoe@cableone.net

**Darren Andrews**

208-520-6161  
fax: 208-561-2172

