



**Discount
Equipment**

www.discount-equipment.com

Filter	bes_98001763,MHN 157006 - 167252 bes_98001763,MHN 169203 - 182505 bes_9800
Identity	bes_98001763
Specifications	Shank Size (Metric): Hex 22 x 108 mm, Product number: 8900002020, Product number: 8900002019, Product number: T006661, Division: Portable Air, Product group: Pneumatic handheld, Product type: Pneumatic surface rock drills, Product: CP 0069, Product Company: Chakan

PARTS FINDER

**Search Website
by Part Number**



**Search Manual
Library For Parts
Manual & Lookup Part
Numbers – Purchase
or Request Quote**

Search Manuals

Enter your information to help us find the right parts manual for your machine.

* Brand:

* Model:

* Serial:

* Part Number:

SEARCH

**Can't Find Part or
Manual? Request Help
by Manufacturer,
Model & Description**

Parts Order Form

Please fill in the following information to help us find the right part for your machine.

Manufacturer:	<input type="text"/>
Model:	<input type="text"/>
Description:	<input type="text"/>
Part Number:	<input type="text"/>
Quantity:	<input type="text"/>
Notes:	<input type="text"/>

Submit

Discount-Equipment.com is your online resource for quality parts & equipment.

Florida: **561-964-4949** Outside Florida TOLL FREE: **877-690-3101**

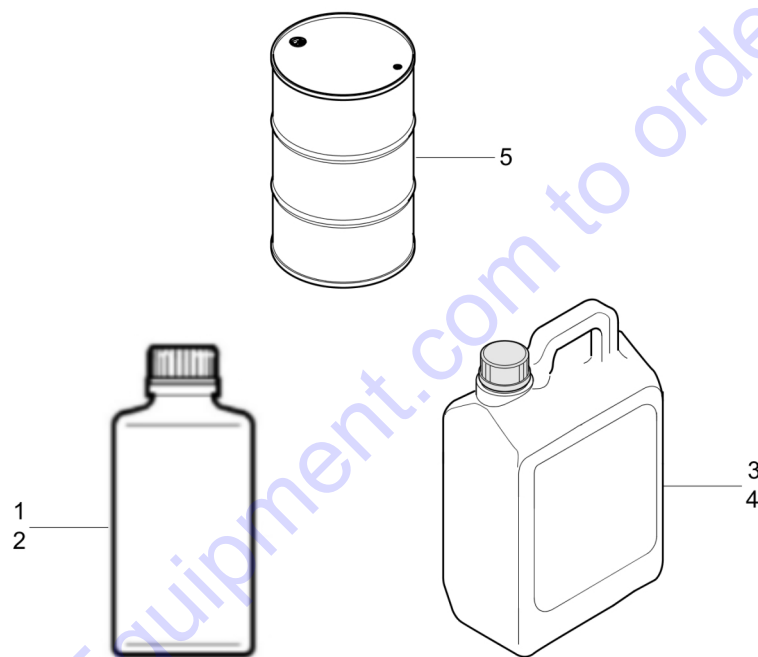
Need parts?

Click on this link: <http://www.discount-equipment.com/category/5443-parts/> and choose one of the options to help get the right parts and equipment you are looking for. Please have the machine model and serial number available in order to help us get you the correct parts. If you don't find the part on the website or on one of the online manuals, please fill out the request form and one of our experienced staff members will get back to you with a quote for the right part that your machine needs.

We sell worldwide for the brands: Genie, Terex, JLG, MultiQuip, Mikasa, Essick, Whiteman, Mayco, Toro Stone, Diamond Products, Generac Magnum, Airman, Haulotte, Barreto, Power Blanket, Nifty Lift, Atlas Copco, Chicago Pneumatic, Allmand, Miller Curber, Skyjack, Lull, Skytrak, Tsurumi, Husquvarna Target, Stow, Wacker, Sakai, Mi-T-M, Sullair, Basic, Dynapac, MBW, Weber, Bartell, Bennar Newman, Haulotte, Ditch Runner, Menegotti, Morrison, Contec, Buddy, Crown, Edco, Wyco, Bomag, Laymor, EZ Trench, Bil-Jax, F.S. Curtis, Gehl Pavers, Heli, Honda, ICS/PowerGrit, IHI, Partner, Imer, Clipper, MMD, Koshin, Rice, CH&E, General Equipment, Amida, Coleman, NAC, Gradall, Square Shooter, Kent, Stanley, Tamco, Toku, Hatz, Kohler, Robin, Wisconsin, Northrock, Oztec, Toker TK, Rol-Air, APT, Wylie, Ingersoll Rand / Doosan, Innovatech, Con X, Ammann, Mecalac, Makinex, Smith Surface Prep, Small Line, Wanco, Yanmar

Rock drill air-oil (Semi - Synthetic)	Rockdrilloil
Genoil pneumatic (mineral)	APP
Tapered bits	Taperedbits
Tapered Rods 22 mm (7/8") x 108 mm (4¼"). Rod hex. 22 mm (7/8")	Taperedrods22x108-11
R25 drill bits	R25drillBitsCP
Shank End Rod R25 (1"), H22 x 108 mm	ShankendrodsR22
Integral drill steel 22 mm (7/8") x 108 mm (4¼")	drillbits22X108_22mmcp
Working tools 22 x 108 mm (Hex. 7/8 x 4 1/4 in) point to flat (ISO)	Workingtools22x108
CP 0069 ?" x 4¼"	
CP 0069 WET ?" x 4¼"	
Water conversion kit	rdr_cp_cp_01727
Whip Check	Whipchec_AC
Claw couplings for maximum airflow (forged)	Clawcouplingsmaximumairflow
Hose Clamps for US type forged Claw Couplings	Hoseclampsus_CP
Claw couplings, US type (casted)	Clawcouplingsus_CP
Hose clamps for rubber hoses	Hoseclampsforrubberhoses_CP
Claw couplings for rubber hoses	Clawcouplingsforrubberhoses_CP
Couplings for rubber hoses	Couplingsforrubberhoses_CP
Lubricators, fitted with claw couplings	Lubricators_CP
Water seperators, fitted with claw couplings	Waterseperatorscp
Pre-mounted universal hoses with claw couplings	
Hose rolls	
Rubber hose & accessories	RubberhoseaccessoriesCP

Description	Remark		Parts number
Rock Drill Air-Oil	1 l bottle (34 US fl oz)	1	8099020101
	20 x 1 l bottles (34 US fl oz)	2	8099020181
	4 l bottle (1.06 US gal)	3	8099020104
	4 x 4 l cans (1.06 US gal)	4	8099020184
	210 l container	5	3310102543

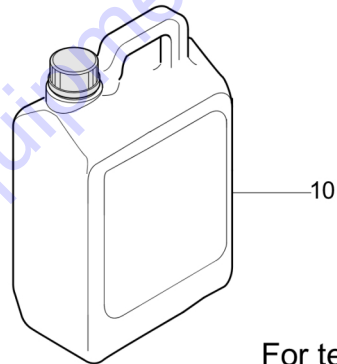
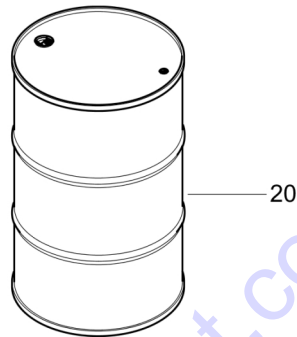


For tech. details check next page

Id	Qty	Number	Name	Specifications
1	1	8099020101	Rock drill air-oil 1l	
2	1	8099020181	Rock drill AIR-OIL, 20 x 1 l bottles (34 US fl oz)	
3	1	8099020104	Rock drill AIR-OIL, 4 l bottle (1.06 US gal)	
4	1	8099020184	Rock drill AIR-OIL, 4 x 4 l cans (1.06 US gal)	
5	1	3310102543	Rock drill air-oil 210l	

Go to Discount-Equipment.com to order your parts

Description	Oil Volume		Weight		Parts number
	l	Gal	Kg		
5L Can	5	1.1	5.8	10	3310103157
210 Drum	210	55.4	231	20	3310103158

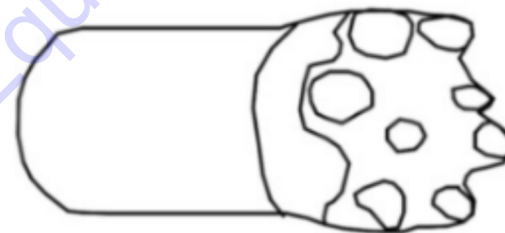
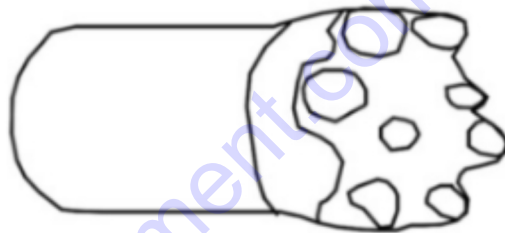


For tech. details check next page

Id	Qty	Number	Name	Specifications
10	1	3310103157	GENOIL PNEUMATIC , 5L	
20	1	3310103158	GENOIL PNEUMATIC , 210L DRUM	

Go to Discount-Equipment.com to order your parts

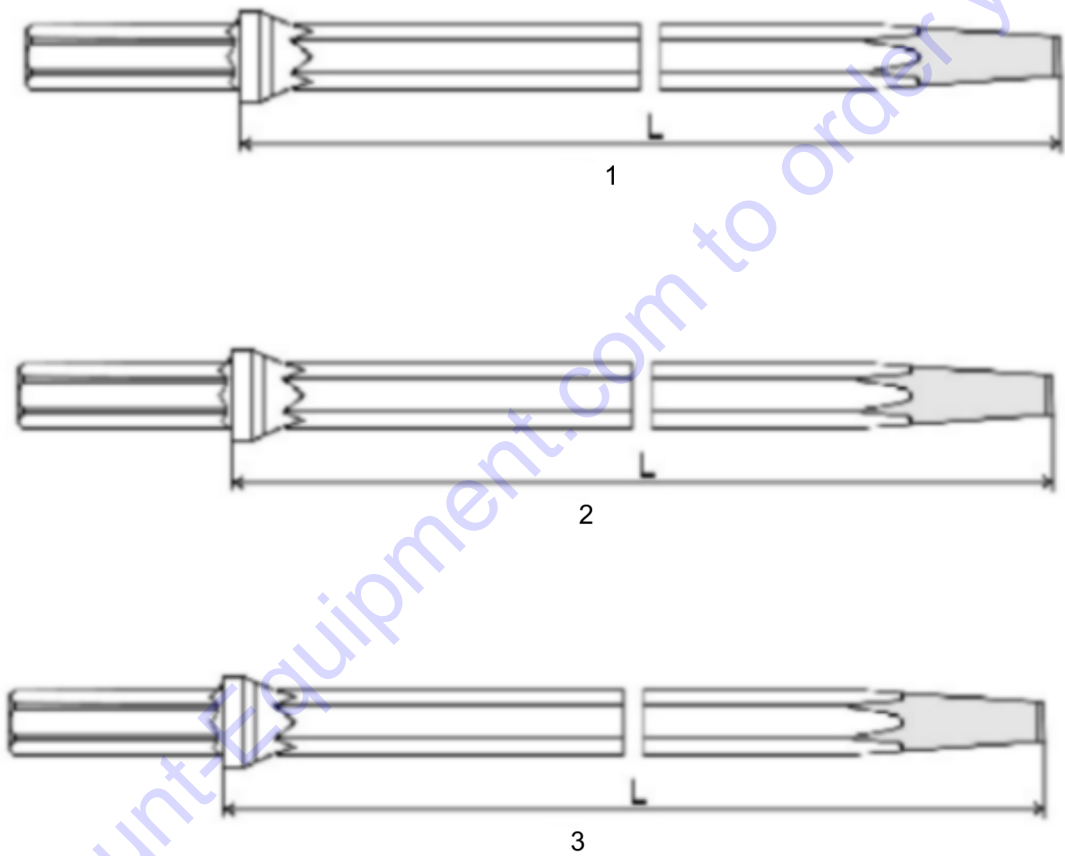
Parts Description	Diameter		No. of buttons	Buttons x button diameter (mm)		Gauge button angle°	Front button angle°	Flushing hole		Weight approx. kg	Part number
	mm	in		Gauge	Centre			Side	Centre		
TAPERED BITS 11°, 32MM, 8BUTTONS, H22X108MM	32	1¼	8	6x7	2x7	39°	15°	1	1	0.3	1 3310101670
TAPERED BITS 11°, 33MM, 8BUTTONS, H22X108MM	33	15/16	8	4x7	2x7	40°	-	1	1	0.2	1 3310101671
TAPERED BITS 11°, 34MM, 8BUTTONS, H22X108MM	34	111/32	8	6x7	3x7	40°	20°	2	-	0.3	1 3310101672
TAPERED BITS 11°, 36MM, 7BUTTONS, H22X108MM	36	113/32	7	5x8	2x7	35°	-	1	1	0.3	1 3310101673
TAPERED BITS 11°, 38MM, 7BUTTONS, H22X108MM	38	1½	7	5x9	2x7	35°	-	1	1	0.3	1 3310101674
TAPERED BITS 11°, 41MM, 7BUTTONS, H22X108MM	41	15/8	7	5x9	2x7	35°	-	2	1	0.3	1 3310101675
Tapered Bits 12°, 32mm, 8Buttons, H22x108mm	32	1¼	8	6x7	2x7	39°	15°	1	1	0.3	2 3310101820
Tapered Bits 12°, 33mm, 8Buttons, H22x108mm	33	15/16	8	4x7	2x7	40°	-	1	1	0.2	2 3310101821
Tapered Bits 12°, 34mm, 8Buttons, H22x108mm	34	111/32	8	6x7	3x7	40°	20°	2	-	0.3	2 3310101822
TAPERED BITS 12°, 36MM, 8BUTTONS, H22X108MM	36	113/32	7	5x8	2x7	35°	-	1	1	0.3	2 3310101823
Tapered Bits 12°, 38mm, 7Buttons, H22x108mm	38	1½	7	5x9	2x7	35°	-	1	1	0.3	2 3310101824
Tapered Bits 12°, 41mm, 7Buttons, H22x108mm	41	15/8	7	5x9	2x7	35°	-	2	1	0.3	2 3310101825
Tapered Bits 7°, 30mm, 8 Buttons, H22x108mm	30	1 3/16	6	4 x 7	2 x 7	35	-	1	2	0.3	3 3310102330
Tapered Bits 7°, 32mm, 8 Buttons, H22x108mm	32	1¼	8	6 x 7	2x7	35	15	1	2	0.3	3 3310102331
Tapered Bits 7°, 33mm, 8 Buttons, H22x108mm	33	1 1/16	8	6x7	2x7	35	15	1	2	0.3	3 3310102332
Tapered Bits 7°, 34mm, 8 Buttons, H22x108mm	34	1 1/32	8	6x7	2x7	35	15	1	2	0.3	3 3310102333
Tapered Bits 7°, 36mm, 7 Buttons, H22x108mm	36	1 1/32	7	5x8	2x7	35	-	1	1	0.3	3 3310102334
Tapered Bits 7°, 38mm, 7 Buttons, H22x108mm	38	1½	7	5x9	2x7	35	-	1	1	0.3	3 3310102335
Tapered Bits 7°, 41mm, 7 Buttons, H22x108mm	41	1 1/2	7	5x9	2x7	35	-	1	1	0.3	3 3310102336



For tech. details check next page

Id	Qty	Number	Name	Specifications
1	1	3310101670	32 MM BIT with 8 Buttons	
1	1	3310101671	33 MM BIT with 6 Buttons	
1	1	3310101672	Tapered Bits 11°, 34mm, 8 Buttons, H22x108mm	
1	1	3310101673	36 MM BIT with 7 Buttons	
1	1	3310101674	38 MM BIT with 7 Buttons	
1	1	3310101675	41 MM BIT with 7 Buttons	
2	1	3310101820	TAPERED BITS (12°, 32MM, 8 BUTTONS)	
2	1	3310101821	TAPERED BITS (12°, 33MM, 8 BUTTONS)	
2	1	3310101822	TAPERED BITS (12°, 34MM, 8 BUTTONS)	
2	1	3310101823	TAPERED BITS (12°, 36MM, 8 BUTTONS)	
2	1	3310101824	TAPERED BITS (12°, 38MM, 7 BUTTONS)	
2	1	3310101825	TAPERED BITS (12°, 42MM, 7 BUTTONS)	
3	1	3310102330	Tapered Bits 7° 30mm 8 Buttons H22x108mm	
3	1	3310102331	Tapered Bits 7° 32mm 8 Buttons H22x108mm	
3	1	3310102332	TAPERED BITS (11°, 33MM, 7 BUTTONS)	
3	1	3310102333	Tapered Bits 7° 34mm 8 Buttons H22x108mm	
3	1	3310102334	Tapered Bits 7° 36mm 7 Buttons H22x108mm	
3	1	3310102335	Tapered Bits 7° 38mm 7 Buttons H22x108mm	
3	1			

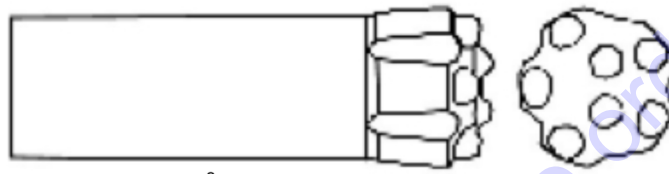
Parts Description	Length(L)		Weightappr ox.	Part number
	mm	ft/in	kg	
Tapered Rods 610 mm, 11°, H22 x 108mm	610	2	2.4	1 3310101662
Tapered Rods 1220 mm, 11°, H22 x 108mm	1220	4	4.2	1 3310101663
Tapered Rods 1525 mm, 11°, H22 x 108mm	1525	5	5.3	1 3310101664
Tapered Rods 1830 mm, 11°, H22 x 108mm	1830	6	5.9	1 3310101665
Tapered Rods 2000 mm, 11°, H22 x 108mm	2000	6'6 3/4"	6.6	1 3310101666
Tapered Rods 2435 mm, 11°, H22 x 108mm	2435	8	7.7	1 3310101667
Tapered Rods 2600 mm, 11°, H22 x 108mm	2600	8'6 3/8"	8.2	1 3310101668
Tapered Rods 3200 mm, 11°, H22 x 108mm	3200	10'6"	10.3	1 3310101669
Tapared Rods 610 mm, 12°, H22 x 108mm	610	2	2.4	2 3310101812
Tapared Rods 1220 mm, 12°, H22 x 108mm	1220	4	4.2	2 3310101813
Tapared Rods 1525 mm, 12°, H22 x 108mm	1525	5	5.3	2 3310101814
Tapared Rods 1830 mm, 12°, H22 x 108mm	1830	6	5.9	2 3310101815
Tapared Rods 2000 mm, 12°, H22 x 108mm	2000	6'6 3/4"	6.6	2 3310101816
Tapared Rods 2435 mm, 12°, H22 x 108mm	2435	8	7.7	2 3310101817
Tapared Rods 2600 mm, 12°, H22 x 108mm	2600	8'6 3/8"	8.2	2 3310101818
Tapared Rods 3200 mm, 12°, H22 x 108mm	3200	10'6"	10.3	2 3310101819
Tapered Rods 610 mm, 7°, H22 x 108mm	610	2		3 3310102322
Tapered Rods 1220 mm, 7°, H22 x 108mm	1220	4		3 3310102323
Tapered Rods 1525 mm, 7°, H22 x 108mm	1525	5		3 3310102324
Tapered Rods 1830 mm, 7°, H22 x 108mm	1830	6		3 3310102325
Tapered Rods 2000 mm, 7°, H22 x 108mm	2000	7		3 3310102326
Tapered Rods 2435 mm, 7°, H22 x 108mm	2435	8		3 3310102327
Tapered Rods 2600 mm, 7°, H22 x 108mm	2600	8		3 3310102328
Tapered Rods 3200 mm, 7°, H22 x 108mm	3200	10		3 3310102329



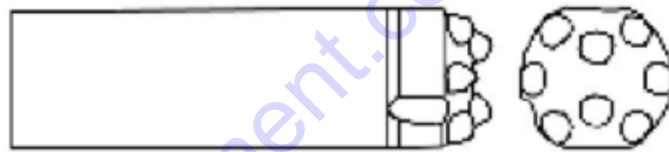
For tech. details check next page

Id	Qty	Number	Name	Specifications
1	1	3310101662	TPR / ROD 610 MM 11 degree	
1	1	3310101663	Tapared Rods 1220 mm, 11°, H22 x 108mm	
1	1	3310101664	Tapared Rods 1525 mm, 11°, H22 x 108mm	
1	1	3310101665	TPR / ROD 1830 MM 11degree	
1	1	3310101666	TPR / ROD 2000 MM 11degree	
1	1	3310101667	TPR / ROD 2435 MM 11degree	
1	1	3310101668	TPR / ROD 2600 MM 11degree	
1	1	3310101669	TPR / ROD 3200 MM 11degree	
2	1	3310101812	Tapered Rods 610 mm, 12°, H22 x 108mm	
2	1	3310101813	Tapared Rods 1220 mm, 12°, H22 x 108mm	
2	1	3310101814	Tapered Rods 1525 mm, 12°, H22 x 108mm	
2	1	3310101815	Tapared Rods 1830 mm, 12°, H22 x 108mm	
2	1	3310101816	Tapared Rods 2000 mm, 12°, H22 x 108mm	
2	1	3310101817	Tapared Rods 2435 mm, 12°, H22 x 108mm	
2	1	3310101818	Tapared Rods 2600 mm, 12°, H22 x 108mm	
2	1	3310101819	Tapered Rods 3200 mm, 12°, H22 x 108mm	
3	1	3310102322	Tapered Rods 610 mm, 7°, H22 x 108mm	
3	1	3310102323	Tapered Rods 1220 mm, 7°, H22 x 108mm	
3	1	3310102324	Tapered Rods 1525 mm, 7°, H22 x 108mm	
3	1	3310102325	Tapered Rods 1830 mm, 7°, H22 x 108mm	
3	1	3310102326	Tapered Rods 2000 mm, 7°, H22 x 108mm	
3	1	3310102327	Tapered Rods 2435 mm, 7°, H22 x 108mm	
3	1	3310102328	Tapered Rods 2600 mm, 7°, H22 x 108mm	
3	1	3310102329	Tapered Rods 3200 mm, 7°, H22 x 108mm	

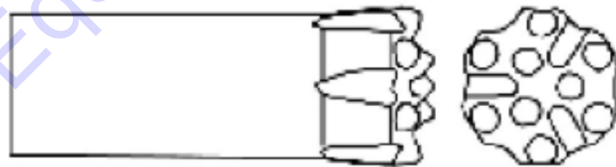
Description	Dia	Gauge carbide	Front carbide	Side flushing	Side flushing	Gauge angle	Part number
	in	in	in	in	in	degree	
Drill Bit R25 (1"), 8 Buttons	1 ⁵ / ₁₆	1/4" x 1/4"	1/16" x 1/4"	1/16" x 3/16"	1/16" x 3/16"	35°	3310 1022 52
Drill Bit R25 (1"), 8 Buttons	1 ³ / ₈	1/4" x 1/4"	1/16" x 1/4"	1/16" x 3/16"	1/16" x 3/16"	35°	3310 1022 53
Drill Bit R25 (1"), 7 Buttons	1 ⁵ / ₃₂	1/4" x 1/4"	1/16" x 1/4"	1/16" x 3/16"	1/16" x 3/16"	35°	3310 1022 54
Drill Bit R25 (1"), 9 Buttons	1 ¹ / ₂	1/4" x 5/16"	1/8" x 1/4"	1/16" x 3/16"	1/8" x 3/16"	35°	3310 1022 55
Drill Bit R25 (1"), 8 Buttons	1 ⁵ / ₈	1/4" x 5/16"	1/16" x 5/16"	1/16" x 3/16"	1/16" x 3/16"	35°	3310 1022 56
Drill Bit R25 (1"), 9 Buttons	1 ³ / ₄	1/4" x 3/8"	1/8" x 1/4"	1/16" x 3/16"	1/8" x 3/16"	35°	3310 1022 57
Drill Bit R25 (1"), 9 Buttons	1 ⁷ / ₈	1/4" x 3/8"	1/8" x 3/8"	1/16" x 3/16"	1/8" x 3/16"	35°	3310 1022 58
Drill Bit R25 (1"). 9 Buttons	2	1/4" x 3/8"	1/8" x 3/8"	1/16" x 3/16"	1/8" x 3/16"	35°	3310 1022 59



3



2



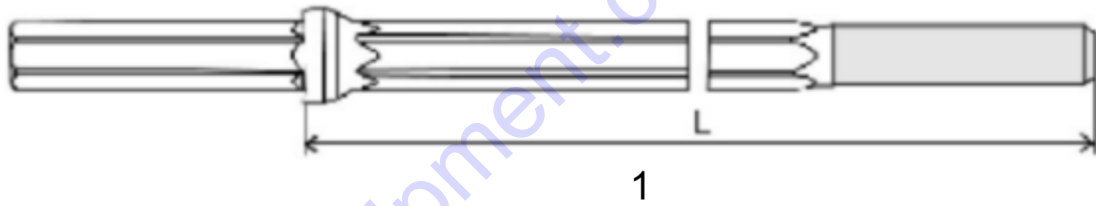
1

For tech. details check next page

Id	Qty	Number	Name	Specifications
1	1	3310102255	Drill Bit R25 (1"), 38 MM, 9 Buttons	
1	1	3310102257	Drill Bit R25 (1"), 45 MM, 9 Buttons	
1	1	3310102258	Drill Bit R25 (1"), 48 MM, 9 Buttons	
1	1	3310102259	Drill Bit R25 (1"), 51 MM, 9 Buttons	
2	1	3310102252	Drill Bit R25 (1"), 33 MM, 8 Buttons	
2	1	3310102253	Drill Bit R25 (1"), 35 MM, 8 Buttons	
2	1	3310102256	Drill Bit R25 (1"), 41 MM, 8 Buttons	
3	1	3310102254	Drill Bit R25 (1"), 37 MM, 7 Buttons	

Go to Discount-Equipment.com to order your parts

Description	Length (L)		Bit diameter		Weight approx.	Part number
	mm	ft/in	mm	in	kg	
Shank End Rod R25 (1"), H22 x 108 mm	265	1'0 ³ / ₈ "	25	1	1.2	1 3310 1018 05
	610	2'	25	1	2.3	1 3310 1018 06
	760	2'57/8"	25	1	2.9	1 3310 1018 07
	1000	3'33/8"	25	1	3.4	1 3310 1018 08
	1200	3'11 ¹ / ₄ "	25	1	4.5	1 3310 1018 09
	1830	6'	25	1	6.2	1 3310 1017 85
	2435	8'	25	1	8.0	1 3310 1017 86
	3200	10'6"	25	1	10.4	1 3310 1017 87
	3600	11'9 ³ / ₄ "	25	1	11.8	1 3310 1017 88

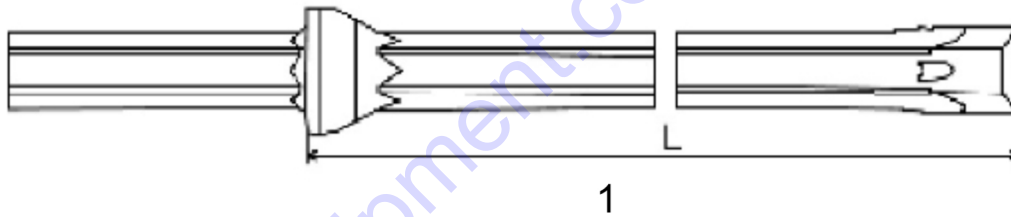


For tech. details check next page

Id	Qty	Number	Name	Specifications
1	1	3310101805	SHANK END ROD R25 (1"), H22X108, L265 MM	
1	1	3310101806	SHANK END ROD R25 (1"), H22X108, L610 MM	
1	1	3310101807	SHANK END ROD R25 (1"), H22X108, L760 MM	
1	1	3310101808	SHANK END ROD R25 (1"), H22X108,L1000 MM	
1	1	3310101809	SHANK END ROD R25 (1"), H22X108,L1200 MM	
1	1	3310101785	SHANK END ROD R25 (1"), H22X108,L1830 MM	
1	1	3310101786	SHANK END ROD R25 (1"), H22X108,L2435 MM	
1	1	3310101787	SHANK END ROD R25 (1"), H22X108,L3200 MM	
1	1	3310101788	SHANK END ROD R25 (1"), H22X108,L3600 MM	

Go to Discount-Equipment.com to order your parts

Integral Hex 7/8" X 4¼" in	11.7	5'3"	1 1/8	1	3310101989
Integral Hex 7/8" X 4¼" in	17.4	7'10½"	1 1/16	1	3310101968
Integral Hex 7/8" X 4¼" in	12.8	7'10½"	1 1/32	1	3310101995
Integral Hex 7/8" X 4¼" in	22.5	10'6"	1 1/16	1	3310101991
Integral Hex 7/8" X 4¼" in	23.1	10'6"	1 1/8	1	3310101987
Integral Hex 7/8" X 4¼" in	3.1	1'3¾"	15/16	1	3310101996
Integral Hex 7/8" X 4¼" in	5.1	2'7½"	29/32	1	3310101997
Integral Hex 7/8" X 4¼" in	6.6	3'11¼"	29/32	1	3310101998



For tech. details check next page

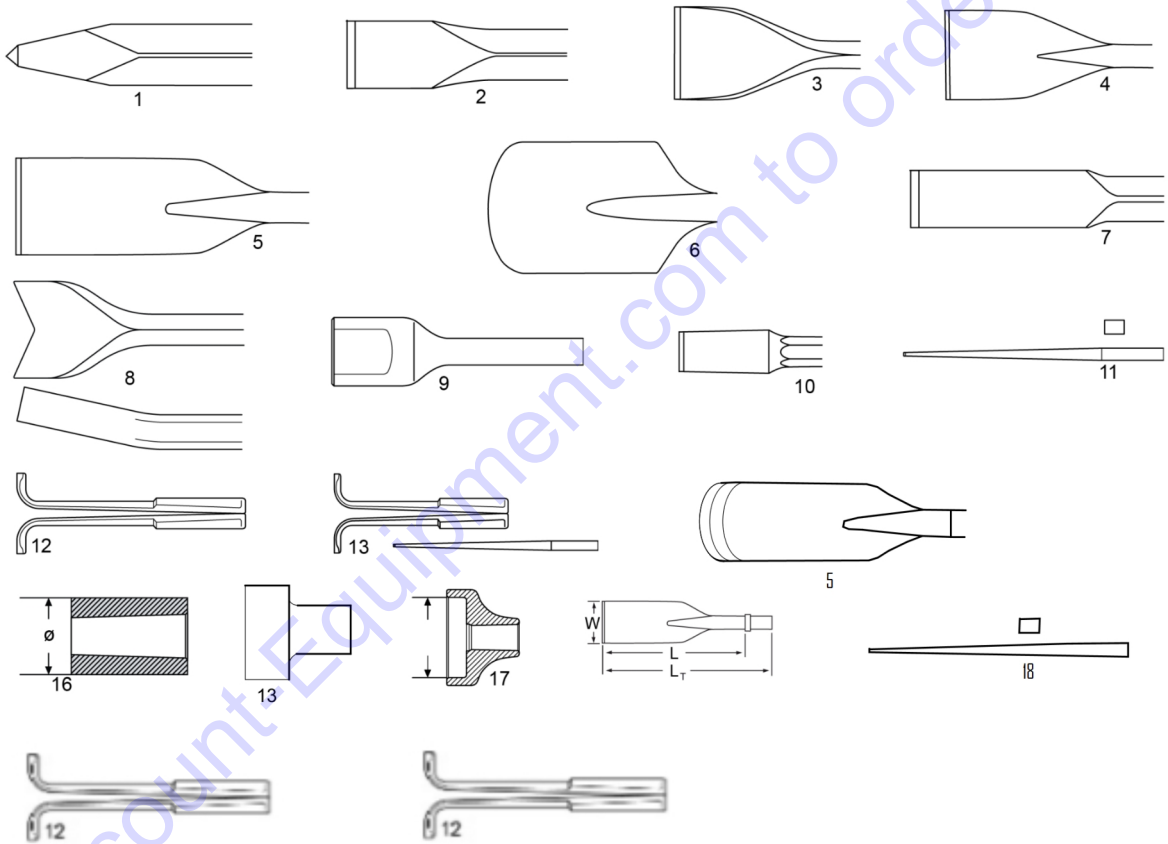
Description	Weight	Length (L)	Bit diameter		Part number
	lbs	ft/in	in		
Integral Hex 7/8" X 4 1/4" in	4.0	1'3 3/4"	1 5/8	1	3310101999
Integral Hex 7/8" X 4 1/4" in	5.3	1'11 5/8"	1 5/8	1	3310101951
Integral Hex 7/8" X 4 1/4" in	6.6	2'7 1/2"	1 9/16	1	3310101952
Integral Hex 7/8" X 4 1/4" in	6.8	2'7 1/2"	1 1/2	1	3310102001
Integral Hex 7/8" X 4 1/4" in	9.5	3'11 1/4"	1 9/16	1	3310101953
Integral Hex 7/8" X 4 1/4" in	9.5	3'11 1/4"	1 17/32	1	3310102000
Integral Hex 7/8" X 4 1/4" in	11.9	5'3"	1 17/32	1	3310101954
Integral Hex 7/8" X 4 1/4" in	12.1	5'3"	1 13/32	1	3310102003
Integral Hex 7/8" X 4 1/4" in	13.4	5'10 7/8"	1 17/32	1	3310101955
Integral Hex 7/8" X 4 1/4" in	13.2	5'10 7/8"	1 13/32	1	3310102004
Integral Hex 7/8" X 4 1/4" in	17.2	7'10 1/2"	1 1/2	1	3310101956
Integral Hex 7/8" X 4 1/4" in	22.7	10'6"	1 15/32	1	3310101957
Integral Hex 7/8" X 4 1/4" in	27.8	13'1 1/2"	1 13/32	1	3310102002
Integral Hex 7/8" X 4 1/4" in	33.3	15'9"	1 3/8	1	3310102005
Integral Hex 7/8" X 4 1/4" in	38.8	18'4 1/2"	1 11/32	1	3310101969
Integral Hex 7/8" X 4 1/4" in	43.6	21	15/16	1	3310101972
Integral Hex 7/8" X 4 1/4" in	48.9	23'7 1/2"	1 1/4	1	3310101976
Integral Hex 7/8" X 4 1/4" in	54.2	26'3"	1 7/32	1	3310101981
Integral Hex 7/8" X 4 1/4" in	55.3	28'9"	1 3/16	1	3310102260
Integral Hex 7/8" X 4 1/4" in	67.0	31'6"	1 5/32	1	3310101986
Integral Hex 7/8" X 4 1/4" in	3.7	1'3 3/4"	1 1/8	1	3310101958
Integral Hex 7/8" X 4 1/4" in	5.3	1'11 5/8"	1 1/8	1	3310101959
Integral Hex 7/8" X 4 1/4" in	6.6	2'7 1/2"	1 11/32	1	3310101960
Integral Hex 7/8" X 4 1/4" in	9.3	3'11 1/4"	1 11/32	1	3310101962
Integral Hex 7/8" X 4 1/4" in	9.5	3'11 1/4"	1 5/16	1	3310101973
Integral Hex 7/8" X 4 1/4" in	11.9	5'3"	1 5/16	1	3310101963
Integral Hex 7/8" X 4 1/4" in	13.4	5'10 7/8"	1 5/16	1	3310101971
Integral Hex 7/8" X 4 1/4" in	14.5	6'6 3/4"	1 5/16	1	3310101970
Integral Hex 7/8" X 4 1/4" in	17.4	7'10 1/2"	1 1/4	1	3310101975
Integral Hex 7/8" X 4 1/4" in	23.1	10'6"	1 1/4	1	3310101978
Integral Hex 7/8" X 4 1/4" in	22.7	10'6"	1 7/32	1	3310101979
Integral Hex 7/8" X 4 1/4" in	27.8	13'1 1/2"	1 3/16	1	3310101983
Integral Hex 7/8" X 4 1/4" in	33.3	15'9"	1 5/32	1	3310101984
Integral Hex 7/8" X 4 1/4" in	38.8	18'4 1/2"	1 1/8	1	3310101988
Integral Hex 7/8" X 4 1/4" in	43.8	21	1 1/16	1	3310101990
Integral Hex 7/8" X 4 1/4" in	49.1	23'7 1/2"	1 1/32	1	3310101993
Integral Hex 7/8" X 4 1/4" in	54.4	26'3"	1 1/32	1	3310101994
Integral Hex 7/8" X 4 1/4" in	3.7	1'3 3/4"	1 11/32	1	3310101964
Integral Hex 7/8" X 4 1/4" in	6.6	2'7 1/2"	1 5/16	1	3310101961
Integral Hex 7/8" X 4 1/4" in	9.3	3'11 1/4"	1 1/4	1	3310101974
Integral Hex 7/8" X 4 1/4" in	11.7	5'3"	1 7/32	1	3310101980
Integral Hex 7/8" X 4 1/4" in	14.5	6'6 3/4"	1 1/4	1	3310101977
Integral Hex 7/8" X 4 1/4" in	14.3	6'6 3/4"	1 3/16	1	3310101982
Integral Hex 7/8" X 4 1/4" in	3.1	1'3 3/4"	1 5/32	1	3310101965
Integral Hex 7/8" X 4 1/4" in	4.0	1'11 5/8"	1 1/16	1	3310101992
Integral Hex 7/8" X 4 1/4" in	5.1	2'7 1/2"	1 1/8	1	3310101966
Integral Hex 7/8" X 4 1/4" in	6.6	2'7 1/2"	1 5/32	1	3310101985
Integral Hex 7/8" X 4 1/4" in	8.8	5'3"	1 1/16	1	3310101967

Id	Qty	Number	Name	Specifications
1	1	3310101999	Integral H22X108, L400 MM, ø41 MM	
1	1	3310101951	Integral H22X108, L600 MM, ø41 MM	
1	1	3310101952	Integral H22X108, L800 MM, ø40 MM	
1	1	3310102001	Integral H22X108, L800 MM, ø38 MM	
1	1	3310101953	Integral H22X108, L1200 MM, ø40 MM	
1	1	3310102000	Integral H22X108, L1200 MM, ø39 MM	
1	1	3310101954	Integral H22X108, L1600 MM, ø39 MM	
1	1	3310102003	Integral H22X108, L1600 MM, ø36 MM	
1	1	3310101955	Integral H22X108, L1800 MM, ø39 MM	
1	1	3310102004	Integral H22X108, L1800 MM, ø36 MM	
1	1	3310101956	Integral H22X108, L2400 MM, ø38 MM	
1	1	3310101957	Integral H22X108, L3200 MM, ø37 MM	
1	1	3310102002	Integral H22X108, L4000 MM, ø36 MM	
1	1	3310102005	Integral H22X108, L4800 MM, ø35 MM	
1	1	3310101969	Integral H22X108, L5600 MM, ø34 MM	
1	1	3310101972	Integral H22X108, L6400 MM, ø33 MM	
1	1	3310101976	Integral H22X108, L7200 MM, Å,32 MM	
1	1	3310101981	Integral H22X108, L8000 MM, ø31 MM	
1	1	3310102260	Integral H22X108, L8800 MM, ø30 MM	
1	1	3310101986	Integral H22X108, L9600 MM, ø29 MM	
1	1	3310101958	Integral H22X108, L400 MM, ø35 MM	
1	1	3310101959	Integral H22X108, L600 MM, ø35 MM	
1	1	3310101960	Integral H22X108, L800 MM, Å,34 MM	
1	1	3310101962	Integral H22X108, L1200 MM, ø34 MM	
1	1	3310101973	Integral H22X108, L1200 MM, ø33 MM	
1	1	3310101963	Integral H22X108, L1600 MM, ø33 MM	
1	1	3310101971	Integral H22X108, L1800 MM, ø33 MM	
1	1	3310101970	Integral H22X108, L2000 MM, ø33 MM	
1	1	3310101975	Integral H22X108, L2400 MM, ø32 MM	
1	1	3310101978	Integral H22X108, L3200 MM, ø32 MM	
1	1	3310101979	Integral H22X108, L3200 MM, ø31 MM	
1	1	3310101983	Integral H22X108, L4000 MM, ø30 MM	
1	1	3310101984	Integral H22X108, L4800 MM, ø29 MM	
1	1	3310101988	Integral H22X108, L5600 MM, ø28 MM	
1	1	3310101990	Integral H22X108, L6400 MM, ø27 MM	
1	1	3310101993	Integral H22X108, L7200 MM, ø26 MM	
1	1	3310101994	Integral H22X108, L8000 MM, ø26 MM	
1	1	3310101964	Integral H22X108, L400 MM, ø34 MM	
1	1	3310101961	Integral H22X108, L800 MM, ø33 MM	
1	1	3310101974	Integral H22X108, L1200 MM, ø32 MM	
1	1	3310101980	Integral H22X108, L1600 MM, ø31 MM	
1	1	3310101977	Integral H22X108, L2000 MM, ø32 MM	
1	1	3310101982	Integral H22X108, L2000 MM, ø30 MM	
1	1	3310101965	Integral H22X108, L400 MM, ø29 MM	
1	1	3310101992	Integral H22X108, L600 MM, ø27 MM	
1	1	3310101966	Integral H22X108, L800 MM, ø28 MM	
1	1	3310101985	Integral H22X108, L800 MM, ø29 MM	

Id	Qty	Number	Name	Specifications
1	1	3310101967	Integral H22X108, L1600 MM, ø27 MM	
1	1	3310101989	Integral H22X108, L1600 MM, ø28 MM	
1	1	3310101968	Integral H22X108, L2400 MM, ø27 MM	
1	1	3310101995	Integral H22X108, L2400 MM, ø26 MM	
1	1	3310101991	Integral H22X108, L3200 MM, ø27 MM	
1	1	3310101987	Integral H22X108, L3200 MM, ø28 MM	
1	1	3310101996	Integral H22X108, L400 MM, ø24 MM	
1	1	3310101997	Integral H22X108, L800 MM, ø23 MM	
1	1	3310101998	Integral H22X108, L1200 MM, ø23 MM	

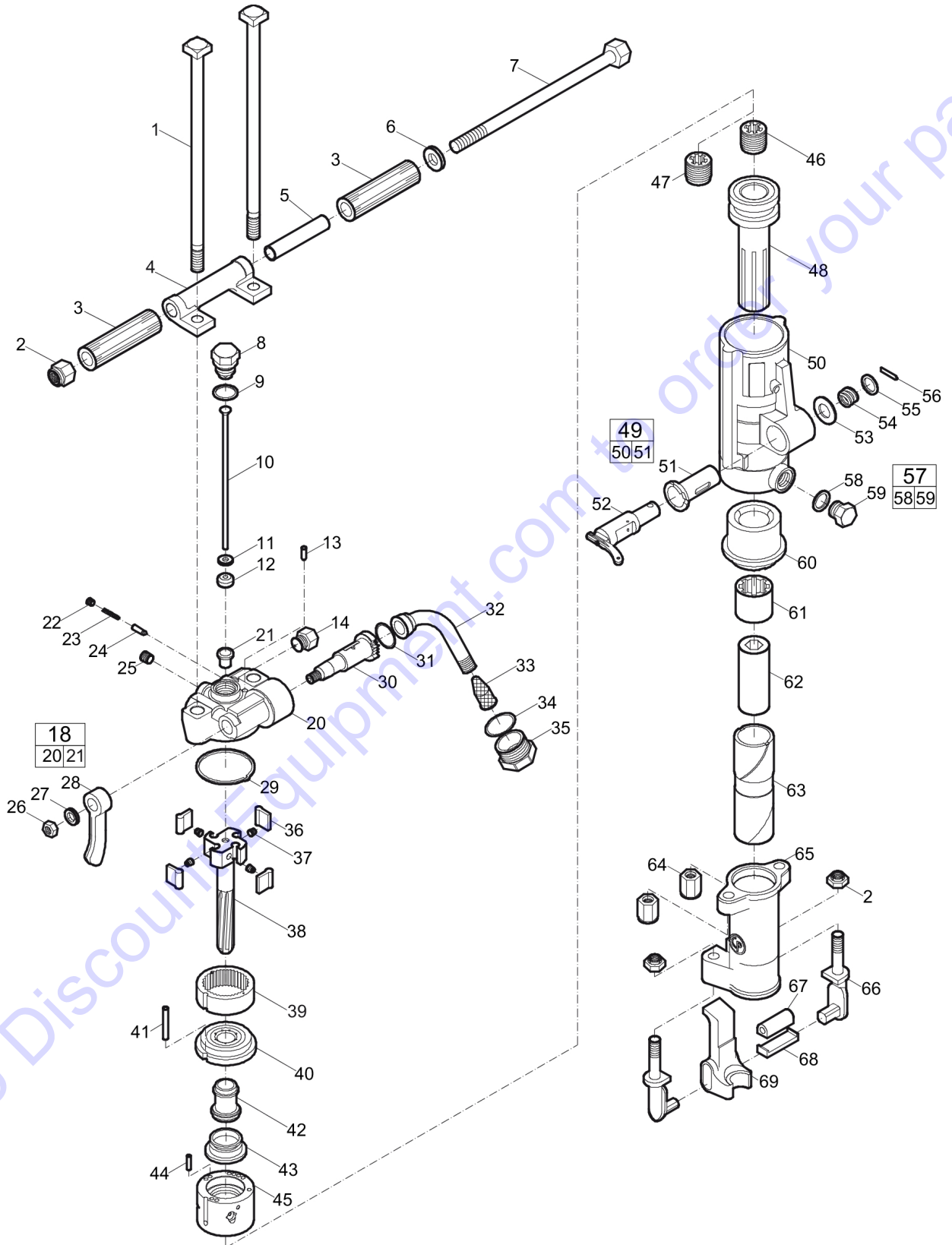
Go to Discount-Equipment.com to order your parts

Description	Working length		Total length		Blade / Tip width		Weight kg ¹⁾	Part number
	mm	in	mm	in	mm	in		
Moil point	350	14	470	19	-	-	1.5	1 3083 3228 00
	480	19	600	24	-	-	2.0	1 3083 3229 00
Narrow chisel	240	9 ½	360	14	45	1 ¾	1.2	2 3083 3231 00
	340	13	460	18	28	1 ¾	1.4	2 3083 3230 00
	450	18	570	22	23	1 ¾	2.0	2 3083 4071 00
Wide chisel	380	15	500	20	75	3	2.6	3 3083 3232 00
	450	18	570	22	75	3	3.1	3 3083 4072 00
Asphalt cutter	350	14	470	19	110	5	3.0	4 9245 2812 90
Digging chisel	280	11	400	16	75	3	2.7	5 3083 3233 00
Digging spade	330	13	450	18	120	4 ¾	3.2	6 3083 3234 00
Clay spade	350	14	470	19	125	5	3.4	7 3083 3235 00
Wedge chisel	380	15	500	20	35	1 ¾	2.8	8 3083 3236 00
Tie tamper	390	15	510	20	90	3 ½	3.0	9 3083 3237 00
Tie tamper	460	18	580	23	90	3 ½	3.3	9 9245 2823 30
Wedge hammer	195	7 ¾	315	12	Ø 42	Ø 1 ½	2.0	10 3083 3241 00
Driver blank	195	7 ¾	315	12	Ø 55	Ø 2 ½	2.5	11 9245 2822 80
Shaft for pad	185	7 ¼	305	12	-	-	1.3	12 3083 3238 00
Tamping pad	-	-	-	-	Ø 175	Ø 7	7.5	13 3083 3252 10
	-	-	-	-	□175	□7	6.0	13 3083 3239 01
Driver pad	-	-	-	-	Ø 65	Ø 2 ½	-	14 3371 8060 39
	-	-	-	-	Ø 100	Ø 4	2.5	14 9245 2817 90
Wedge plug ³⁾	-	-	390	15	20 x 24	¾ x 1	0.9	15 9245 2822 00
Feather pair ³⁾	-	-	180	7	Ø 26.5	Ø 1	0.6	16 9245 2822 10
Wedge set ⁴⁾	-	-	-	-	-	-	1.5	17 9245 2813 81
Wedge plug ⁵⁾	-	-	420	17	22 x 28	7/8 x 1 ½	1.2	18 9245 2813 50
Feather pair ⁵⁾	-	-	210	8 ¼	Ø 33	Ø 1 ¼	0.9	19 9245 2813 60
Wedge set ⁵⁾	-	-	-	-	-	-	2.1	20 9245 2813 51



For tech. details check next page

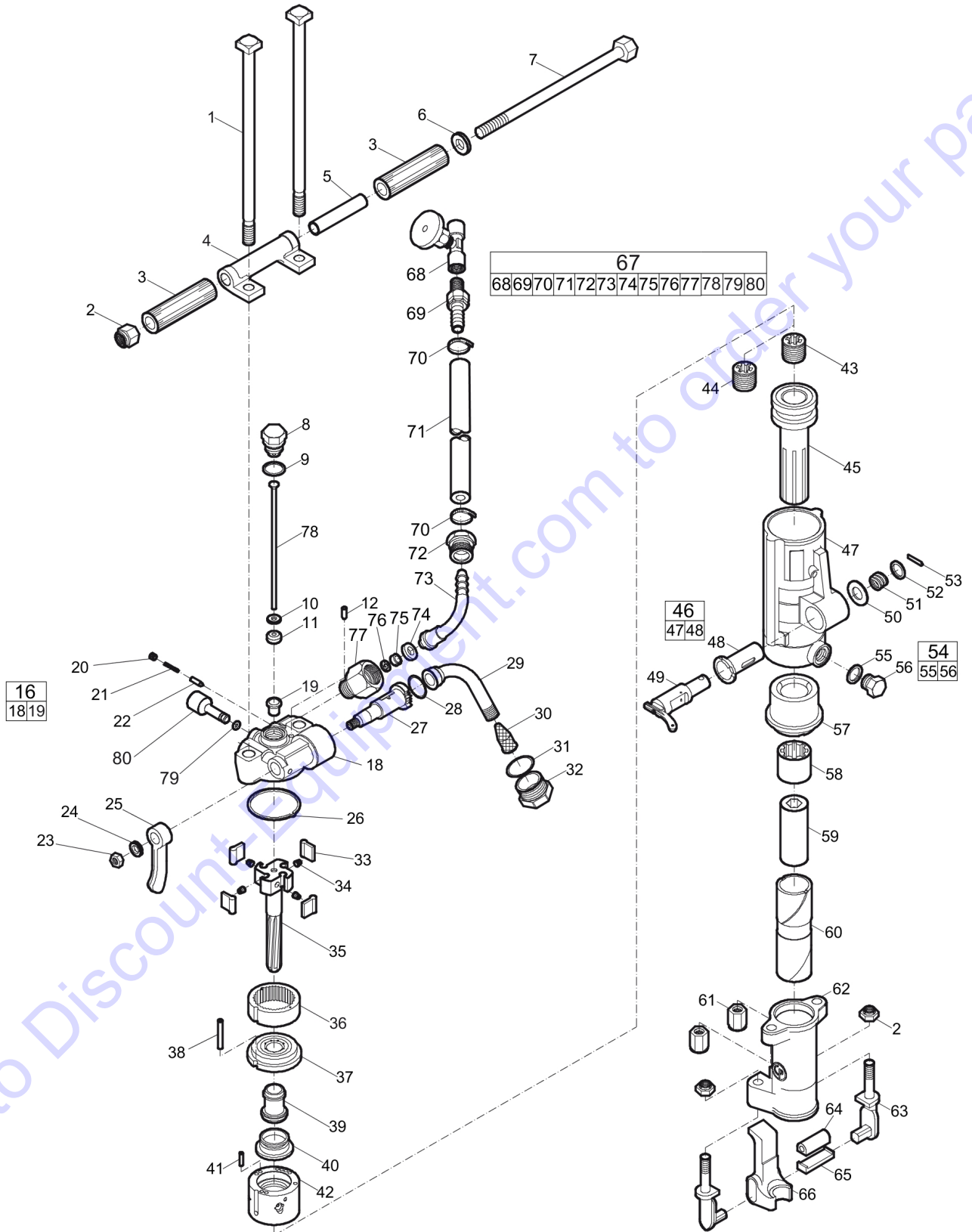
Id	Qty	Number	Name	Specifications
1	1	3083322800	MOIL POINT	
1	1	3083322900	MOIL POINT	
2	1	3083323100	NARROW CHISEL	
2	1	3083323000	NARROW CHISEL	
2	1	3083407100	NARROW CHISEL	
3	1	3083323200	WIDE CHISEL	
3	1	3083407200	WIDE CHISEL	
4	1	9245281290	ASPHALT CUTTER	
5	1	3083323300	DIGGING CHISEL	
6	1	3083323400	DIGGING SPADE	
7	1	3083323500	CLAY SPADE	
8	1	3083323600	WEDGE CHISEL	
9	1	3083323700	TIE TAMPER	
9	1	9245282330	TIE TAMPER	
10	1	3083324100	WEDGE HAMMER	
11	1	9245282280	DRIVER BLANK	
12	1	3083323800	SHAFT FOR PAD	
13	1	3083325210	TAMPING PAD	
13	1	3083323901	SQUARE TAMPING PAD 175MM	
14	1	3371806039	65MM DRIVING PAD	
14	1	9245281790	DRIVER PAD 100 MM FOR	
15	1	9245282200	WEDGE PLUG	
16	1	9245282210	FEATHER PAIR	
17	1	9245281381	WEDGE SET	
18	1	9245281350	WEDGE PLUG	
19	1	9245281360	FEATHER PAIR	
20	1	9245281351	WEDGE SET	



Id	Qty	Number	Name	Specifications
1	2	R085755	SIDE ROD	
2	3	R005742	ELASTC STOP NUT	
3	2	R075419	HANDLE RUBBER	
4	1	R086608	Bracket - Handle	
5	1	R076172	LONG HDLE LINER	
6	1	R000142	WASHER	
7	1	R076173	Bolt - Handle	
8	1	R076793	PLUG-WATER TUBE	
9	2	R000537	W TUBE GASKET	
10	1	R093907	AIR TUBE	
11	1	R095169	Washer - Air tube	
12	1	R090364	AIR TUBE RUBBER	
13	1	R075802	PLUNGER PIN	
14	1	R076372	WAT INLET PLUG	
18	1	R137744	Backhead, complete	
20	1			
21	1	R137739	BUSH	
22	1	C068064	VLV PACKING CUP	
23	1	R085671	Spring - Valve plunger	
24	1	R086627	Plunger - Throttle valve	
25	1	C068799	Plug - pipe, Ø 1/4 in., Ø 6.5 mm	
26	1	P002149	Nut - Hexagon	
27	1	C036717	LOCKWASHER	
28	1	R079124	TV HDLE W PIN	
29	1	H0980438	Gasket	
30	1	R086628	THROTTLE VALVE	
31	1	P103521	O-RING-128	
32	1	R075265	Swivel - Air inlet	
33	1	R005584	Screen - Air inlet	
34	1	R110317	O RING	
35	1	R000530	Air swivel nut	
36	4	R075267	Pawl	
37	4	R086654	Spring - Pawl	
38	1	R093887	RIFLE BAR	
39	1	R137740	Ring - Ratchet	
40	1	R093490	VAL CASE COVER	
41	1	R137741	Pin - Dowel	
42	1	R085608	VAL CASE SPACER	
43	1	R093900	VALVE	
44	1	R114133	Pin - Oiler	
45	1	R085607	VALVE CASE	
46	1	R075839	RIFLE BAR NUT	
47	1	R075826	Nut - Rifle bar	
48	1	R000126	Piston	
49	1	3310102626	CYLINDER	
50	1		Cylinder	
51	1	R085624	Bushing - Blower valve	
52	1	R085623	BLOWER VALVE	

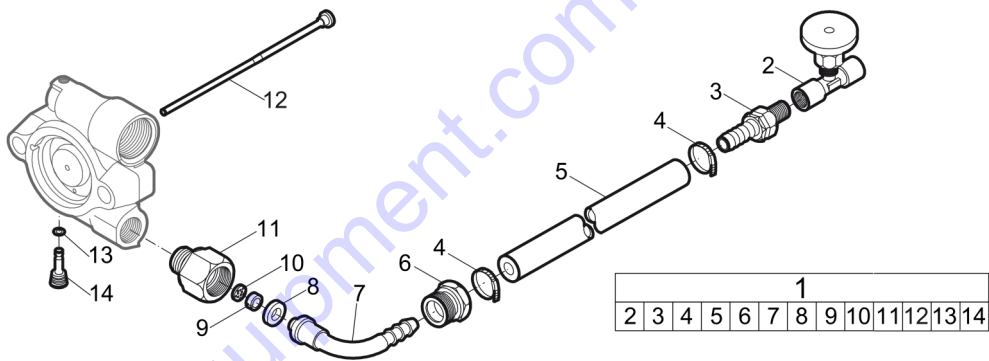
Id	Qty	Number	Name	Specifications
53	1	R075777	Washer - Blower valve	
54	1	R075778	SPRING	
55	1	R075780	Washer - Valve spring	
56	1	R076266	Pin - Spring	
57	1	R085611	OIL PLUG	
58	1	R091176	OIL PLUG GASKET	
59	1			
60	1	R137743	BUSHING-CYLINDER	
61	1	R086733	Nut - Chuck rotation	
62	1	R093891	BUSHING-CHUCK	
63	1	R137977	Sleeve - Chuck, 1" x 4¼" (25 x 108 mm)	
64	2	R085756	SIDE ROD NUT	
65	1	R041323	FRONTHEAD	
66	2	R093896	Tunnion - Retainer	
67	1	R093897	Buffer - Retainer	
68	1	R093898	Retainer - Latch shoe	
69	1	R093913	RETAINER LATCH	

Go to Discount-Equipment.com to order your parts



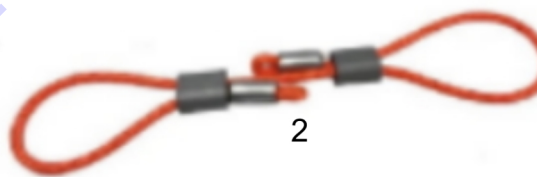
Id	Qty	Number	Name	Specifications
1	2	R085755	SIDE ROD	
2	3	R005742	ELASTC STOP NUT	
3	2	R075419	HANDLE RUBBER	
4	1	R086608	Bracket - Handle	
5	1	R076172	LONG HDLE LINER	
6	1	R000142	WASHER	
7	1	R076173	Bolt - Handle	
8	1	R076793	PLUG-WATER TUBE	
9	2	R000537	W TUBE GASKET	
10	1	R095169	Washer - Air tube	
11	1	R090364	AIR TUBE RUBBER	
12	1	R075802	PLUNGER PIN	
16	1	R137744	Backhead, complete	
18	1			
19	1	R137739	BUSH	
20	1	C068064	VLV PACKING CUP	
21	1	R085671	Spring - Valve plunger	
22	1	R086627	Plunger - Throttle valve	
23	1	P002149	Nut - Hexagon	
24	1	C036717	LOCKWASHER	
25	1	R079124	TV HDLE W PIN	
26	1	H0980438	Gasket	
27	1	R086628	THROTTLE VALVE	
28	1	P103521	O-RING-128	
29	1	R075265	Swivel - Air inlet	
30	1	R005584	Screen - Air inlet	
31	1	R110317	O RING	
32	1	R000530	Air swivel nut	
33	4	R075267	Pawl	
34	4	R086654	Spring - Pawl	
35	1	R093887	RIFLE BAR	
36	1	R137740	Ring - Ratchet	
37	1	R093490	VAL CASE COVER	
38	1	R137741	Pin - Dowel	
39	1	R085608	VAL CASE SPACER	
40	1	R093900	VALVE	
41	1	R114133	Pin - Oiler	
42	1	R085607	VALVE CASE	
43	1	R075839	RIFLE BAR NUT	
44	1	R075826	Nut - Rifle bar	
45	1	R000126	Piston	
46	1	3310102626	CYLINDER	
47	1		Cylinder	
48	1	R085624	Bushing - Blower valve	
49	1	R085623	BLOWER VALVE	
50	1	R075777	Washer - Blower valve	
51	1	R075778	SPRING	
52	1	R075780	Washer - Valve spring	

Id	Qty	Number	Name	Specifications
53	1	R076266	Pin - Spring	
54	1	R085611	OIL PLUG	
55	1	R091176	OIL PLUG GASKET	
56	1			
57	1	R137743	BUSHING-CYLINDER	
58	1	R086733	Nut - Chuck rotation	
59	1	R093891	BUSHING-CHUCK	
60	1	R137977	Sleeve - Chuck, 1" x 4 1/4" (25 x 108 mm)	
61	2	R085756	SIDE ROD NUT	
62	1	R041323	FRONTHEAD	
63	2	R093896	Tunnion - Retainer	
64	1	R093897	Buffer - Retainer	
65	1	R093898	Retainer - Latch shoe	
66	1	R093913	RETAINER LATCH	
67	1	Z6544438	Repair kit (Dry to wet)	
68	1		Valve - Water	
69	1		Nipple - Hose	
70	2		Clamp - Punch lock	
71	1		Hose, 1/2" x 12"	
72	1		Nut - Water inlet swivel	
73	1		Swivel - Water inlet	
74	1		Gasket - Swivel	
75	1		Retainer - Water strainer	
76	1		Strainer - Water	
77	1		Spud - Water inlet	
78	1	R093888	TUBE-WATER	
79	1	C087316	O-ring	
80	1	R085627	PLUG	



Id	Qty	Number	Name	Specifications
1	1	Z6544438	Repair kit (Dry to wet)	
2	1		Valve - Water	
3	1		Nipple - Hose	
4	2		Clamp - Punch lock	
5	1		Hose, 1/2" x 12"	
6	1		Nut - Water inlet swivel	
7	1		Swivel - Water inlet	
8	1		Gasket - Swivel	
9	1		Retainer - Water strainer	
10	1		Strainer - Water	
11	1		Spud - Water inlet	
12	1	R093888	TUBE-WATER	
13	1	C087316	O-ring	
14	1	R085627	PLUG	

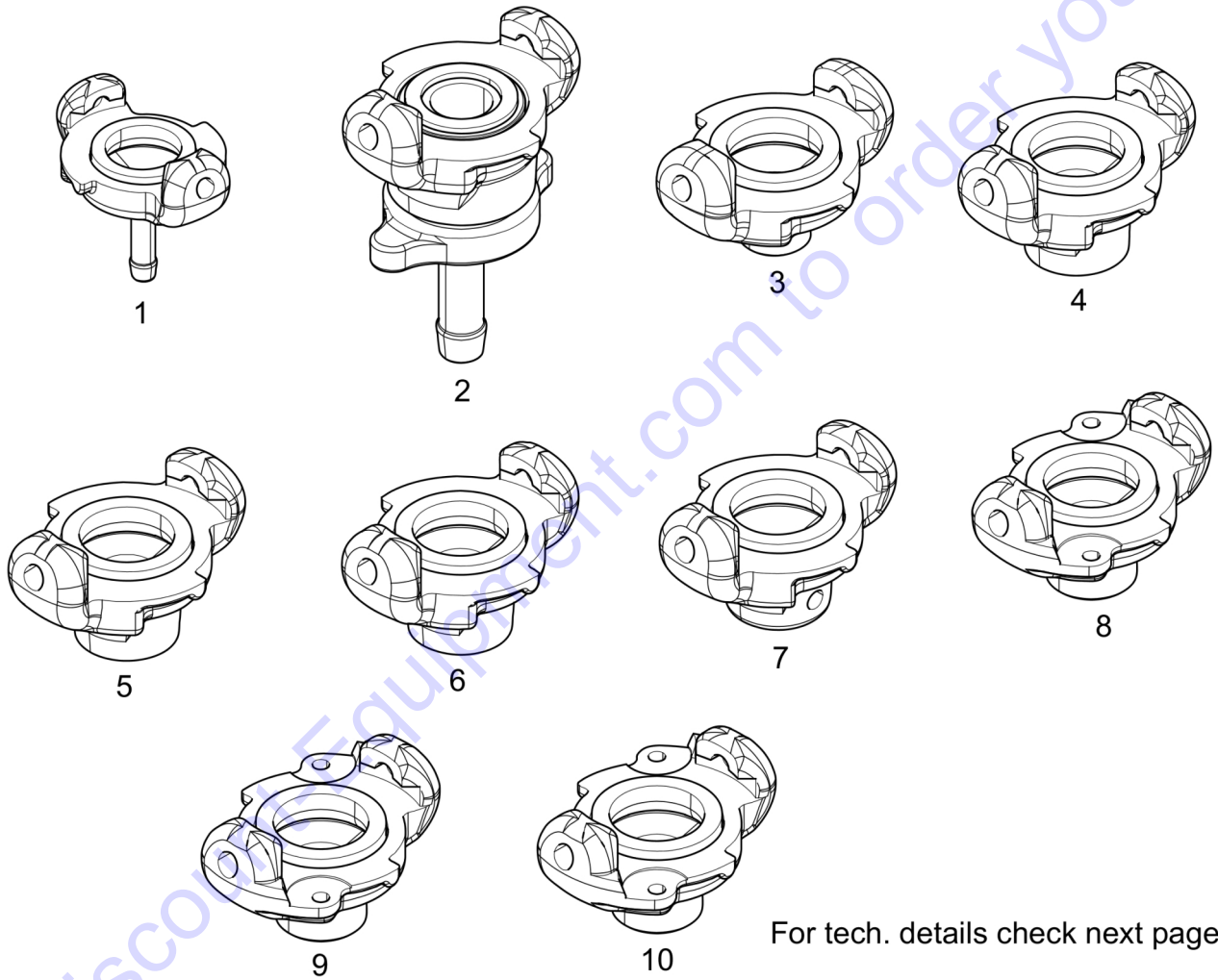
Go to Discount-Equipment.com to order your parts



Id	Qty	Number	Name	Specifications
1	1	3310101858	WHIP CHECK 1/2"-1.1/4",L=540mm	
1	1	3310101859	WHIP CHECK 1.1/2"-3",L=965mm	
1	1	3310101860	WHIP CHECK 3"-6",L=1150mm	
2	1	3310102546	WHIPCHECK PRO 1/2 - 4",L=500MM,BS=1000KG	

Go to Discount-Equipment.com to order your parts

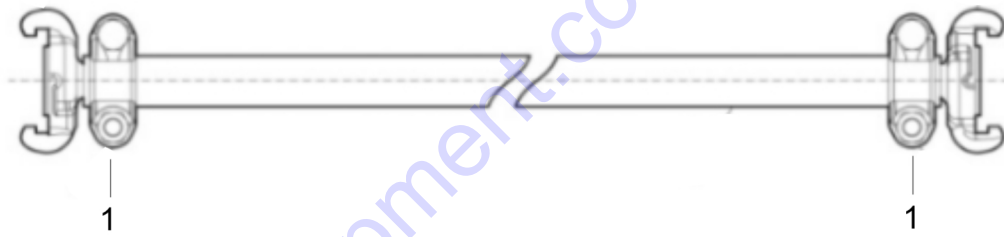
Connection	Connection thread	Bore		Weight	Part number
		mm	in	kg ¹⁾	
External thread	G 3/8 A	11.3	7/16	0.11	3 9000 0300 00
	G 1/2 A	14.8	37/64	0.12	3 9000 0301 00
	G 3/4 A	19.0	3/4	0.13	3 9000 0302 00
	G1A	25.5	1	0.13	3 9000 0303 00
Internal thread Internal thread	G 3/8	15.0	19/32	0.12	4 9000 0304 00
	G 1/2	18.6	3/4	0.13	4 9000 0305 00
	G 3/4	24.2	1	0.14	4 9000 0306 00
Internal thread, with strainer	G 3/4	24.2	1	0.14	5 9000 0306 01
Internal thread	G1	30.3	1 3/16	0.15	6 9000 0307 00
Cover	-	-	-	0.18	7 9000 0314 00
Forged claw coupling	G1/2A (M-AUS)	14.8	37/64	0.12	8 9001000301
	G1A (M-AUS)	25.5	1	0.13	8 9001000303
	G1/2 (F-AUS)	18.6	3/4	0.13	8 9001000305
	G1 (F-AUS)	30.3	1 3/16	0.15	8 9001000307
Forged claw coupling 10.0 mm	(HN-AUS)	-	-	-	9 9001000310
Forged claw coupling 25.0 mm	(HN-AUS)	-	-	-	10 9001000313



Connection	Hose inner diameter		Bore		Weight kg ¹⁾	Part number
	mm	in	mm	in		
Hose nipple	6.3	1/4	5.0	3/16	0.11	1 9000 0308 00
	10.0	3/8	8.0	5/16	0.13	1 9000 0309 00
	12.5	1/2	10.5	13/32	0.14	1 9000 0310 00
	16.0	5/8	13.5	17/32	0.14	1 9000 0311 00
	20.0	3/4	17.2	11/16	0.15	1 9000 0312 00
	25.0	1	22.0	7/8	0.17	1 9000 0313 00
Hose nipple with lock nut	10.0	3/8	8.0	5/16	0.29	2 9000 0260 00
	12.5	1/2	10.5	13/32	0.29	2 9000 0261 00
	16.0	5/8	13.5	17/32	0.29	2 9000 0262 00
	20.0	3/4	17.2	11/16	0.32	2 9000 0263 00
	25.0	1	22.0	7/8	0.32	2 9000 0264 00

Id	Qty	Number	Name	Specifications
1	1	9000030800	CLAW COUPLING H06	
1	1	9000030900	CLAW COUPLING H10	
1	1	9000031000	FORGED CLAW COUPLING 12.5MM (HN)	
1	1	9000031100	CLAW COUPLING	
1	1	9000031200	COUPLING	
1	1	9000031300	CLAW COUPLING	
2	1	9000026000	CLAW COUPLING LNH10	
2	1	9000026100	FORGED CLAW COUPLING 12.5 MM (HN-LN)	
2	1	9000026200	CLAW COUPLING LNH16	
2	1	9000026300	NIPPLE -CLAW COUPLING HOSE 3/4	
2	1	9000026400	CLAW. COUPLING	
3	1	9000030000	RACCORD A GRIFFE M-10	
3	1	9000030100	CLAW COUPLING	
3	1	9000030200	QUICK COUPLING - COMPLETE	
3	1	9000030300	PIPE COUPL.	
4	1	9000030400	CLAW COUPLING F10	
4	1	9000030500	coupling	
4	1	9000030600	COUPLING	
5	1	9000030601	CLAW COUPLING	
6	1	9000030700	PIPE COUPLING	
7	1	9000031400	COUPLING	
8	1	9001000301	COUPLING	
8	1	9001000303	COUPLING	
8	1	9001000305	COUPLING	
8	1	9001000307	COUPLING	
9	1	9001000310	COUPLING	
10	1	9001000313	COUPLING	

Description	Hose dimension, external diameter	Round rubber, hose dimension, internal diameter	Flat hose dimension, internal diameter	Part number
	in	in	in	
Two piece hose clamp	$\frac{7}{8} - 1 \frac{1}{8}$	$\frac{1}{2}$	$\frac{3}{4}$	9000 0050 00
Two piece hose clamp	$1 \frac{1}{8} - 1 \frac{3}{8}$	$\frac{3}{4}$	1	9000 0051 00
Two piece hose clamp	$1 \frac{3}{8} - 1 \frac{9}{16}$	1	-	9000 0052 00

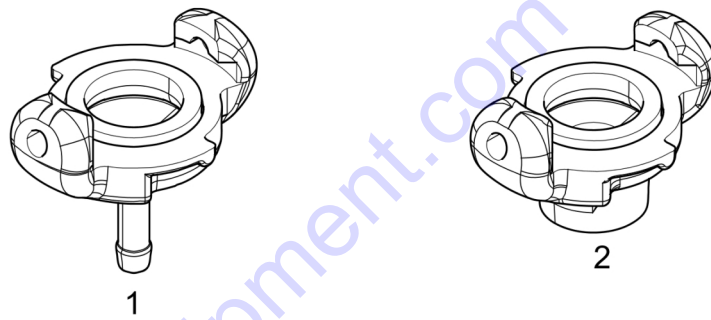


For tech. details check next page

Id	Qty	Number	Name	Specifications
1	2	9000005000	HOSE CLAMP	
1	2	9000005100	HOSE CLAMP	
1	2	9000005200	HOSECLAMP	

Go to Discount-Equipment.com to order your parts

Connection	Hose inner diameter	Bore	Weight	Part number
	in	in	lbs	
Hose nipple	$\frac{3}{8}$	$\frac{5}{64}$	0.352	9001 0005 11
Hose nipple	$\frac{1}{2}$	$\frac{23}{64}$	0.396	9001 0005 10
Hose nipple	$\frac{3}{4}$	$\frac{9}{16}$	0.528	9001 0005 12
Hose nipple	1	$\frac{3}{4}$	0.638	9001 0005 13
Internal thread	$\frac{3}{4}$ " NPT	$\frac{3}{4}$	0.440	9001 0005 06



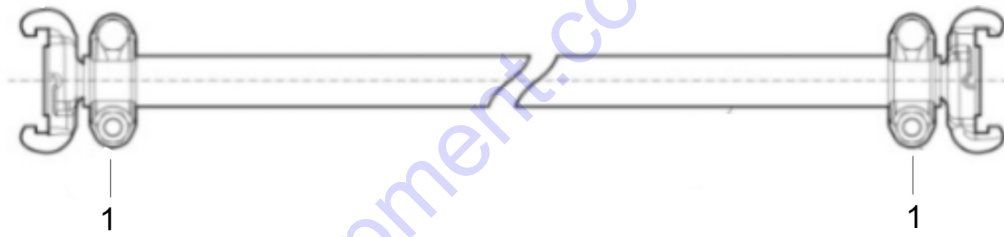
For tech. details check next page

Id	Qty	Number	Name	Specifications
1	1	9001000511	COUPLING	
1	1	9001000510	COUPLING	
1	1	9001000512	COUPLING	
1	1	9001000513	COUPLING	
2	1	9001000506	COUPLING	

Go to Discount-Equipment.com to order your parts

Description	Part number
Hose Clamp - 1/2" Rubber & 3/4" Redex Hose 2-Bolts	1 9000 0050 00
Hose Clamp - 3/4" Rubber & 1" Redex Hose 2-Bolts	1 9000 0051 00

Go to Discount-Equipment.com to order your parts



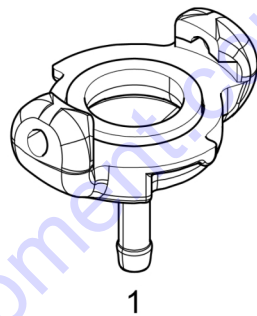
For tech. details check next page

Id	Qty	Number	Name	Specifications
1	1	9000005000	HOSE CLAMP	
1	1	9000005100	HOSE CLAMP	

Go to Discount-Equipment.com to order your parts

Description	Hose Inner diameter	Weight	Part number	
	in	lbs		
Claw Coupling 3/8" Hose Barb	3/8	0.352	1	9001 0005 11
Claw Coupling 1/2" Hose Barb	1/2	0.3	1	9001 0005 10
Claw Coupling 3/4" Hose Barb	3/4	0.45	1	9001 0005 12
Claw Coupling 1" Hose Barb	1	0.638	1	9001 0005 13

Go to Discount-Equipment.com to order your parts

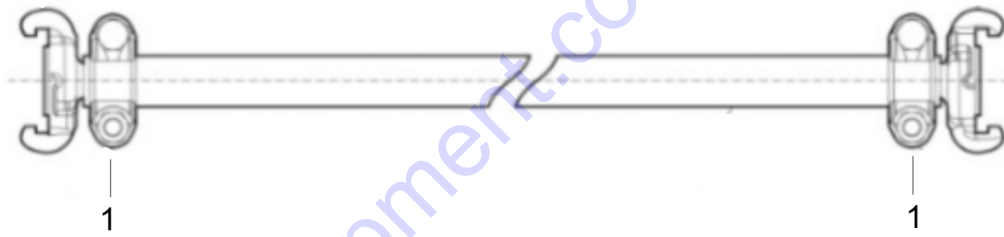


For tech. details check next page

Id	Qty	Number	Name	Specifications
1	1	9001000511	COUPLING	
1	1	9001000510	COUPLING	
1	1	9001000512	COUPLING	
1	1	9001000513	COUPLING	

Go to Discount-Equipment.com to order your parts

Description	Hose Inner diameter	Comments	Part number
	in		
Coupling - 1/2" Universal	½	Female	1 9246 0204 38
Coupling - 3/4" Universal	¾	Female	1 9246 0204 39
Coupling - 1" Universal	1	Female	1 9246 0204 40
Coupling - 1/2" Universal	½	Male	1 9246 0204 41
Coupling - 3/4" Universal	¾	Male	1 9246 0204 42
Coupling - 1" Universal	1	Male	1 9246 0204 43

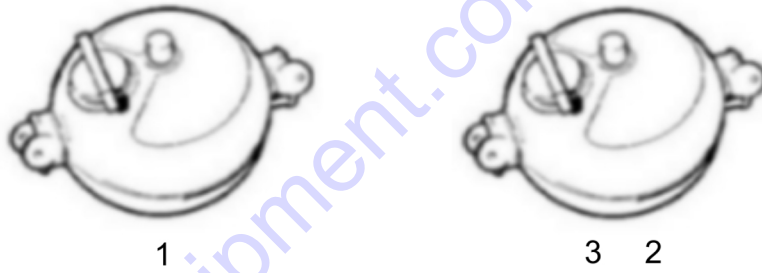


For tech. details check next page

Id	Qty	Number	Name	Specifications
1	1	9246020438	COUPLING 1/2" UNIVERSAL/HEMBRA	
1	1	9246020439	3/4 FEMALE UNIVERSAL	
1	1	9246020440	COUPLING-1" UNIVERSAL FEMALE	
1	1	9246020441	COUPLING-1/2" UNIVERSAL MALE	
1	1	9246020442	COUPLING-3/4" UNIVERSAL MALE	
1	1	9246020443	COUPLING-1" UNIVERSAL MALE	

Go to Discount-Equipment.com to order your parts

	Hose internal diameter	Air flow	Volume	Weight	Part number
	in	cfm	oz	lb	European type
LUBRICATORS					
Lubricators 43, 1" NPT US type claw coupling (premounted)	1	32 – 300	43	15.4	8900 0050 07
Lubricators 3/4" NPT US type claw coupling	3/4	32 – 300	11	15.4	9246 0203 68
Lubricators 3/4" NPT US type claw coupling	3/4	32 – 300	8	15.4	9246 0206 64
Lubricators 3/4" NPT US type claw coupling	3/4	32 – 300	5	15.4	9246 0203 69
Lubricators 1/2" NPT US type claw coupling	1/2	32 – 300	1 - 5	15.4	9246 0203 67



For tech.details check next page

Id	Qty	Number	Name	Specifications
1	1	8900005007	LUBRICATOR 43 (1" NPT)	
2	1	9246020368	LUBRICATOR COMP 3/4 - 11	
2	1	9246020664	LUBRICATOR COMP 3/4 - 8 oz.	
2	1	9246020369	3/4 3.7 OZ IN-LINE LUBRICATOR	
3	1	9246020367	4 OZ OILER WITH 1/2 MALE CLAW	

Go to Discount-Equipment.com to order your parts

Go to Discount-Equipment.com to order your parts

	Hose connection	Air flow	Weight	Part number
	in	cfm	lb	
Water separator, 3/4" NPT, VAM 01 (US version)	3/4	105	3.96	8900 0050 01

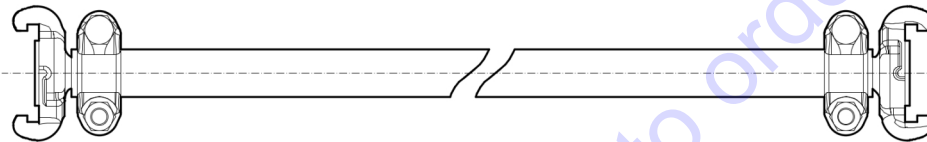


1

For tech. details check next page

Id	Qty	Number	Name	Specifications
1	1	8900005001	WATER SEPARATOR (3/4" NP	

Go to Discount-Equipment.com to order your parts



Metric

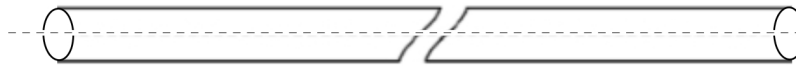
Inner diameter (mm)	Thickness (mm)	Maximum working pressure (bar)	Length of roll (m)	Weight (kg)	Part number
19	2.0	20	20	4.5	8900 0050 09
25	2.5	20	20	6.0	8900 0050 23

Imperial

Inner diameter (in.)	Thickness (in.)	Maximum working pressure (psi)	Length of roll (ft)	Weight (lb)	Part number
$\frac{3}{4}$	$\frac{5}{64}$	290	50	8.8	8900 0050 08
1	$\frac{3}{32}$	290	50	11.0	8900 0050 24

Id	Qty	Number	Name	Specifications
-	1	8900005009	CP RED-X HOSE SET (20M)	
-	1	8900005023	CP RED-X UNIVERSAL HOSE	
-	1	8900005008	CP RED-X HOSE SET US 3/4	
-	1	8900005024	CP RED-X US UNIVERSAL HO	
-	1	3310103162	RED-X HOSE Ø3/4" L196FT W/ US COUPLING	
-	1	3310103163	RED-X HOSE Ø3/4" L328FT W/ US COUPLING	

Go to Discount-Equipment.com to order your parts



Metric

Inner diameter (mm)	Thickness (mm)	Maximum working pressure (bar)	Length of roll (m)	Weight (kg)	Part number
19	2.0	20	60	11	10 8900 0050 10
19	2.0	20	100	18	20 8900 0050 11
19	2.0	20	200	36	30 8900 0050 12
25	2.5	20	60	15	40 8900 0050 20
25	2.5	20	100	25	50 8900 0050 21
25	2.5	20	200	50	60 8900 0050 22

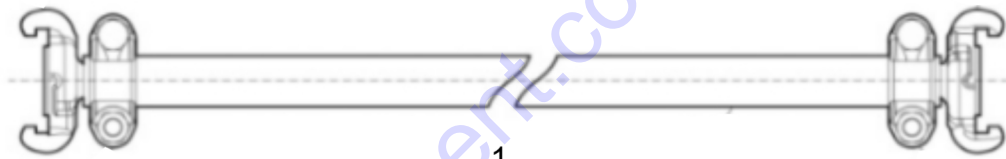
Imperial

Inner diameter (in.)	Thickness (in.)	Maximum working pressure (psi)	Length of roll (ft)	Weight (lb)	Part number
¾	¼	290	195	24.3	10 8900 0050 10
¾	¼	290	325	39.7	20 8900 0050 11
¾	¼	290	650	79.4	30 8900 0050 12
1	⅜	290	195	33.1	40 8900 0050 20
1	⅜	290	325	55.1	50 8900 0050 21
1	⅜	290	650	110.2	60 8900 0050 22

Id	Qty	Number	Name	Specifications
10	1	8900005010	CP RED-X AIR HOSE (60M)	
20	1	8900005011	CP RED-X AIR HOSE 3/4"	
30	1	8900005012	CP RED-X AIR HOSE 3/4" (
40	1	8900005020	CP RED-X AIR HOSE 1" (60	
50	1	8900005021	CP RED-X AIR HOSE 1" (10	
60	1	8900005022	RED-X flat hose ø 25 mm (200m)	

Go to Discount-Equipment.com to order your parts

	Color	Inner diameter	Working pressure	Length of roll	Weight	Comments	Part number
		in	psi	ft	lb		
RUBBER HOSE							
Hose-Rubber 3/4" X 50' 250 psi	Red	3/4	250	50	19.8	With couplings	9238 9814 90
Hose-Rubber 3/4" X 100' 250 psi	Red	3/4	250	100	30	With couplings	9246 0207 31
Hose-Rubber 1" X 50' 200 psi	Red	1	200	50	24.2	With couplings	9753 2168 35
Hose-Rubber 1" X 100' 200 psi	Red	1	200	100	36	With couplings	9753 2168 36



For tech. details check next page

Id	Qty	Number	Name	Specifications
1	1	9238981490	HOSE-RUBBER 3/4"X50' 250	
1	1	9246020731	HOSE-RUBBER 3/4"X100'	
1	1	9753216835	HOSE-RUBBER 1"X 50'	
1	1	9753216836	HOSE-RUBBER 1" X 100'	

Go to Discount-Equipment.com to order your parts

Part no	Part no	Part no	Part no	Part no	Part no
	rdr_cp_cp_01727		Taperedbits		
	rdr_cp_cp_01727		rdr_cp_cp_01727		rdr_cp_cp_01727
	rdr_cp_cp_01727		rdr_cp_cp_01727		rdr_cp_cp_01727
					rdr_cp_cp_01727
3083322800	Workingtools22x108	3083322900	Workingtools22x108	3083323000	Workingtools22x108
3083323100	Workingtools22x108	3083323200	Workingtools22x108	3083323300	Workingtools22x108
3083323400	Workingtools22x108	3083323500	Workingtools22x108	3083323600	Workingtools22x108
3083323700	Workingtools22x108	3083323800	Workingtools22x108	3083323901	Workingtools22x108
3083324100	Workingtools22x108	3083325210	Workingtools22x108	3083407100	Workingtools22x108
3083407200	Workingtools22x108	3310101662	Taperedrods22x108-1'	3310101663	Taperedrods22x108-1'
3310101664	Taperedrods22x108-1'	3310101665	Taperedrods22x108-1'	3310101666	Taperedrods22x108-1'
3310101667	Taperedrods22x108-1'	3310101668	Taperedrods22x108-1'	3310101669	Taperedrods22x108-1'
3310101670	Taperedbits	3310101671	Taperedbits	3310101672	Taperedbits
3310101673	Taperedbits	3310101674	Taperedbits	3310101675	Taperedbits
3310101785	ShankendrodsR22	3310101786	ShankendrodsR22	3310101787	ShankendrodsR22
3310101788	ShankendrodsR22	3310101805	ShankendrodsR22	3310101806	ShankendrodsR22
3310101807	ShankendrodsR22	3310101808	ShankendrodsR22	3310101809	ShankendrodsR22
3310101812	Taperedrods22x108-1'	3310101813	Taperedrods22x108-1'	3310101814	Taperedrods22x108-1'
3310101815	Taperedrods22x108-1'	3310101816	Taperedrods22x108-1'	3310101817	Taperedrods22x108-1'
3310101818	Taperedrods22x108-1'	3310101819	Taperedrods22x108-1'	3310101820	Taperedbits
3310101821	Taperedbits	3310101822	Taperedbits	3310101823	Taperedbits
3310101824	Taperedbits	3310101825	Taperedbits	3310101858	Whipchec_AC
3310101859	Whipchec_AC	3310101860	Whipchec_AC	3310101951	drillbits22X108_22mm
3310101952	drillbits22X108_22mm	3310101953	drillbits22X108_22mm	3310101954	drillbits22X108_22mm
3310101955	drillbits22X108_22mm	3310101956	drillbits22X108_22mm	3310101957	drillbits22X108_22mm
3310101958	drillbits22X108_22mm	3310101959	drillbits22X108_22mm	3310101960	drillbits22X108_22mm
3310101961	drillbits22X108_22mm	3310101962	drillbits22X108_22mm	3310101963	drillbits22X108_22mm
3310101964	drillbits22X108_22mm	3310101965	drillbits22X108_22mm	3310101966	drillbits22X108_22mm
3310101967	drillbits22X108_22mm	3310101968	drillbits22X108_22mm	3310101969	drillbits22X108_22mm
3310101970	drillbits22X108_22mm	3310101971	drillbits22X108_22mm	3310101972	drillbits22X108_22mm
3310101973	drillbits22X108_22mm	3310101974	drillbits22X108_22mm	3310101975	drillbits22X108_22mm
3310101976	drillbits22X108_22mm	3310101977	drillbits22X108_22mm	3310101978	drillbits22X108_22mm
3310101979	drillbits22X108_22mm	3310101980	drillbits22X108_22mm	3310101981	drillbits22X108_22mm
3310101982	drillbits22X108_22mm	3310101983	drillbits22X108_22mm	3310101984	drillbits22X108_22mm
3310101985	drillbits22X108_22mm	3310101986	drillbits22X108_22mm	3310101987	drillbits22X108_22mm
3310101988	drillbits22X108_22mm	3310101989	drillbits22X108_22mm	3310101990	drillbits22X108_22mm
3310101991	drillbits22X108_22mm	3310101992	drillbits22X108_22mm	3310101993	drillbits22X108_22mm
3310101994	drillbits22X108_22mm	3310101995	drillbits22X108_22mm	3310101996	drillbits22X108_22mm
3310101997	drillbits22X108_22mm	3310101998	drillbits22X108_22mm	3310101999	drillbits22X108_22mm
3310102000	drillbits22X108_22mm	3310102001	drillbits22X108_22mm	3310102002	drillbits22X108_22mm
3310102003	drillbits22X108_22mm	3310102004	drillbits22X108_22mm	3310102005	drillbits22X108_22mm
3310102252	R25drillBitsCP	3310102253	R25drillBitsCP	3310102254	R25drillBitsCP
3310102255	R25drillBitsCP	3310102256	R25drillBitsCP	3310102257	R25drillBitsCP
3310102258	R25drillBitsCP	3310102259	R25drillBitsCP	3310102260	drillbits22X108_22mm
3310102322	Taperedrods22x108-1'	3310102323	Taperedrods22x108-1'	3310102324	Taperedrods22x108-1'
3310102325	Taperedrods22x108-1'	3310102326	Taperedrods22x108-1'	3310102327	Taperedrods22x108-1'
3310102328	Taperedrods22x108-1'	3310102329	Taperedrods22x108-1'	3310102330	Taperedbits
3310102331	Taperedbits	3310102332	Taperedbits	3310102333	Taperedbits
3310102334	Taperedbits	3310102335	Taperedbits	3310102543	Rockdrilloil
3310102546	Whipchec_AC	3310102626		3310102626	
3310103157	APP	3310103158	APP	3310103162	
3310103163		3371806039	Workingtools22x108	8099020101	Rockdrilloil
8099020104	Rockdrilloil	8099020181	Rockdrilloil	8099020184	Rockdrilloil
8900005001	Waterseperatorscp	8900005007	Lubricators_CP	8900005008	
8900005009		8900005010		8900005011	
8900005012		8900005020		8900005021	
8900005022		8900005023		8900005024	

Part no	Part no	Part no	Part no	Part no	Part no
9000005000	Hoseclampsforrubberf	9000005000	Hoseclampsus_CP	9000005100	Hoseclampsus_CP
9000005100	Hoseclampsforrubberf	9000005200	Hoseclampsus_CP	9000026000	Clawcouplingsmaximu
9000026100	Clawcouplingsmaximu	9000026200	Clawcouplingsmaximu	9000026300	Clawcouplingsmaximu
9000026400	Clawcouplingsmaximu	9000030000	Clawcouplingsmaximu	9000030100	Clawcouplingsmaximu
9000030200	Clawcouplingsmaximu	9000030300	Clawcouplingsmaximu	9000030400	Clawcouplingsmaximu
9000030500	Clawcouplingsmaximu	9000030600	Clawcouplingsmaximu	9000030601	Clawcouplingsmaximu
9000030700	Clawcouplingsmaximu	9000030800	Clawcouplingsmaximu	9000030900	Clawcouplingsmaximu
9000031000	Clawcouplingsmaximu	9000031100	Clawcouplingsmaximu	9000031200	Clawcouplingsmaximu
9000031300	Clawcouplingsmaximu	9000031400	Clawcouplingsmaximu	9001000301	Clawcouplingsmaximu
9001000303	Clawcouplingsmaximu	9001000305	Clawcouplingsmaximu	9001000307	Clawcouplingsmaximu
9001000310	Clawcouplingsmaximu	9001000313	Clawcouplingsmaximu	9001000506	Clawcouplingsus_CP
9001000510	Clawcouplingsforrubbe	9001000510	Clawcouplingsus_CP	9001000511	Clawcouplingsus_CP
9001000511	Clawcouplingsforrubbe	9001000512	Clawcouplingsus_CP	9001000512	Clawcouplingsforrubbe
9001000513	Clawcouplingsforrubbe	9001000513	Clawcouplingsus_CP	9238981490	Rubberhoseaccessori
9245281290	Workingtools22x108	9245281350	Workingtools22x108	9245281351	Workingtools22x108
9245281360	Workingtools22x108	9245281381	Workingtools22x108	9245281790	Workingtools22x108
9245282200	Workingtools22x108	9245282210	Workingtools22x108	9245282280	Workingtools22x108
9245282330	Workingtools22x108	9246020367	Lubricators_CP	9246020368	Lubricators_CP
9246020369	Lubricators_CP	9246020438	Couplingsforrubberhos	9246020439	Couplingsforrubberhos
9246020440	Couplingsforrubberhos	9246020441	Couplingsforrubberhos	9246020442	Couplingsforrubberhos
9246020443	Couplingsforrubberhos	9246020664	Lubricators_CP	9246020731	Rubberhoseaccessori
9753216835	Rubberhoseaccessori	9753216836	Rubberhoseaccessori	C036717	
C036717		C068064		C068064	
C068799		C087316	rdr_cp_cp_01727	C087316	
H0980438		H0980438		P002149	
P002149		P103521		P103521	
R000126		R000126		R000142	
R000142		R000530		R000530	
R000537		R000537		R005584	
R005584		R005742		R005742	
R041323		R041323		R075265	
R075265		R075267		R075267	
R075419		R075419		R075777	
R075777		R075778		R075778	
R075780		R075780		R075802	
R075802		R075826		R075826	
R075839		R075839		R076172	
R076172		R076173		R076173	
R076266		R076266		R076372	
R076793		R076793		R079124	
R079124		R085607		R085607	
R085608		R085608		R085611	
R085611		R085623		R085623	
R085624		R085624		R085627	
R085627	rdr_cp_cp_01727	R085671		R085671	
R085755		R085755		R085756	
R085756		R086608		R086608	
R086627		R086627		R086628	
R086628		R086654		R086654	
R086733		R086733		R090364	
R090364		R091176		R091176	
R093490		R093490		R093887	
R093887		R093888		R093888	
R093891		R093891		R093896	rdr_cp_cp_01727
R093896		R093897		R093897	
R093898		R093898		R093900	
R093900		R093907		R093913	
R093913		R095169		R095169	
R110317		R110317		R114133	
R114133		R137739		R137739	
R137740		R137740		R137741	
R137741		R137743		R137743	

Part no	Part no	Part no	Part no	Part no	Part no
R137744		R137744		R137977	
R137977		Z6544438		Z6544438	
					rdr_cp_cp_01727

Go to Discount-Equipment.com to order your parts



www.discount-equipment.com

PARTS FINDER

**Search Website
by Part Number**



**Search Manual
Library For Parts
Manual & Lookup Part
Numbers – Purchase
or Request Quote**

Search Manuals

Enter your information to help us find the right parts manual for your machine.

* Brand:

* Model:

* Serial:

* Part Number:

SEARCH

**Can't Find Part or
Manual? Request Help
by Manufacturer,
Model & Description**

Parts Order Form

Please fill in the following information to help us find the right part for your machine.

Manufacturer:	<input type="text"/>
Model:	<input type="text"/>
Description:	<input type="text"/>
Part Number:	<input type="text"/>
Quantity:	<input type="text"/>
Notes:	<input type="text"/>

Submit

Discount-Equipment.com is your online resource for quality parts & equipment.

Florida: **561-964-4949** Outside Florida TOLL FREE: **877-690-3101**

Need parts?

Click on this link: <http://www.discount-equipment.com/category/5443-parts/> and choose one of the options to help get the right parts and equipment you are looking for. Please have the machine model and serial number available in order to help us get you the correct parts. If you don't find the part on the website or on one of the online manuals, please fill out the request form and one of our experienced staff members will get back to you with a quote for the right part that your machine needs.

We sell worldwide for the brands: Genie, Terex, JLG, MultiQuip, Mikasa, Essick, Whiteman, Mayco, Toro Stone, Diamond Products, Generac Magnum, Airman, Haulotte, Barreto, Power Blanket, Nifty Lift, Atlas Copco, Chicago Pneumatic, Allmand, Miller Curber, Skyjack, Lull, Skytrak, Tsurumi, Husquvarna Target, Stow, Wacker, Sakai, Mi-T-M, Sullair, Basic, Dynapac, MBW, Weber, Bartell, Bennar Newman, Haulotte, Ditch Runner, Menegotti, Morrison, Contec, Buddy, Crown, Edco, Wyco, Bomag, Laymor, EZ Trench, Bil-Jax, F.S. Curtis, Gehl Pavers, Heli, Honda, ICS/PowerGrit, IHI, Partner, Imer, Clipper, MMD, Koshin, Rice, CH&E, General Equipment, Amida, Coleman, NAC, Gradall, Square Shooter, Kent, Stanley, Tamco, Toku, Hatz, Kohler, Robin, Wisconsin, Northrock, Oztec, Toker TK, Rol-Air, APT, Wylie, Ingersoll Rand / Doosan, Innovatech, Con X, Ammann, Mecalac, Makinex, Smith Surface Prep, Small Line, Wanco, Yanmar