



www.discount-equipment.com

Filter	9800051501,PUN 000913 - 927854 9800051501,PN2 240145 - 242873 9800051501,PN
Identity	9800051501
Specifications	Product number: 8900002003, Product number: 8900002024, Product number: 8900002023, Product number: 8900002006, Shank Size (Metric): Rd 19 x 95 mm, Product number: T022083, Product number: T022084, Division: Portable Air, Product group: Pneumatic handheld, Product type: Pneumatic rotary hammers, Product: CP 0009 E, Product: CP 0009 A, Product: CP 0009 ES, Product Company: Chakan

PARTS FINDER

**Search Website
by Part Number**



**Search Manual
Library For Parts
Manual & Lookup Part
Numbers – Purchase
or Request Quote**

A screenshot of the "Search Manuals" form. The form has a white background with a blue header that says "Search Manuals". Below the header, there's a section for "Manual Selection" with a dropdown menu for "Brand" and a "Search" button. Below that, there's a section for "Serial Number" with a text input field and a "Search" button. At the bottom, there's a "Submit" button.

**Can't Find Part or
Manual? Request Help
by Manufacturer,
Model & Description**

A screenshot of the "Parts Order Form". The form has a white background with a blue header that says "Parts Order Form". Below the header, there's a section for "Manufacturer" with a dropdown menu. Below that, there's a section for "Model" with a text input field. Below that, there's a section for "Description" with a text input field. At the bottom, there's a "Submit" button.

Discount-Equipment.com is your online resource for quality parts & equipment.

Florida: **561-964-4949** Outside Florida TOLL FREE: **877-690-3101**

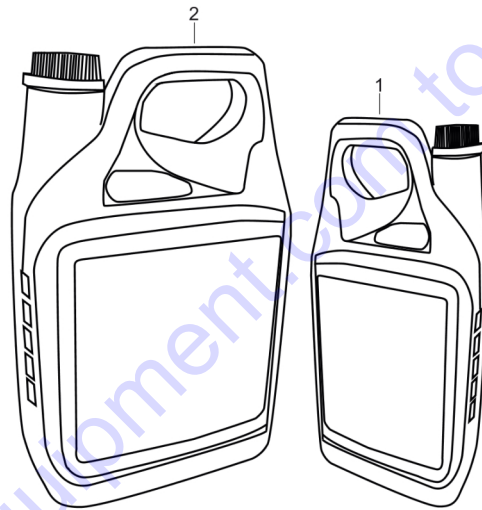
Need parts?

Click on this link: <http://www.discount-equipment.com/category/5443-parts/> and choose one of the options to help get the right parts and equipment you are looking for. Please have the machine model and serial number available in order to help us get you the correct parts. If you don't find the part on the website or on one of the online manuals, please fill out the request form and one of our experienced staff members will get back to you with a quote for the right part that your machine needs.

We sell worldwide for the brands: Genie, Terex, JLG, MultiQuip, Mikasa, Essick, Whiteman, Mayco, Toro Stone, Diamond Products, Generac Magnum, Airman, Haulotte, Barreto, Power Blanket, Nifty Lift, Atlas Copco, Chicago Pneumatic, Allmand, Miller Curber, Skyjack, Lull, Skytrak, Tsurumi, Husquvarna Target, Stow, Wacker, Sakai, Mi-T-M, Sullair, Basic, Dynapac, MBW, Weber, Bartell, Bennar Newman, Haulotte, Ditch Runner, Menegotti, Morrison, Contec, Buddy, Crown, Edco, Wyco, Bomag, Laymor, EZ Trench, Bil-Jax, F.S. Curtis, Gehl Pavers, Heli, Honda, ICS/PowerGrit, IHI, Partner, Imer, Clipper, MMD, Koshin, Rice, CH&E, General Equipment, Amida, Coleman, NAC, Gradall, Square Shooter, Kent, Stanley, Tamco, Toku, Hatz, Kohler, Robin, Wisconsin, Northrock, Oztec, Toker TK, Rol-Air, APT, Wylie, Ingersoll Rand / Doosan, Innovatech, Con X, Ammann, Mecalac, Makinex, Smith Surface Prep, Small Line, Wanco, Yanmar

CP airolene plus tool oil	
Genoil pneumatic (mineral)	APP
Plug Hole Rod Rd 19 - Hex 14.7 x 89 mm(Rd 3/4 - Hex 9/16 x 3 1/2 in)	WorkingtoolsRd19-Hex14
Plug Hole Rod Rd 19 x 95 mm (Rd 3/4 x 3 3/4 in)	Workingtools19x95_CP
Working tools Sq 19 x 82 mm (Sq 3/4 x 3 1/4 in)	WorkingtoolsSq19x82
Working tools R14.7 x 89 mm (Rd 9/16 x 3 1/2 in)	WorkingtoolsRd47
Working tools Rd 19 x 95 mm (Rd 3/4 x 3 3/4 in)	WorkingtoolsRd19x95
Recommended Spare Parts list - (CP 0009 A)	APP
Recommended Spare Parts list - (CP 0009 ES)	APP
Recommended Spare Parts list - (CP 0009 E)	APP
CP 0009 A	CP
CP 0009 E	CP
CP 0009 ES	CP
Claw couplings for maximum airflow (forged)	Clawcouplingsmaximumairflow
Hose Clamps for US type forged Claw Couplings	Hoseclampsus_CP
Claw couplings, US type (casted)	Clawcouplingsus_CP
Hose clamps for rubber hoses	Hoseclampsforrubberhoses_CP
Claw couplings for rubber hoses	Clawcouplingsforrubberhoses_CP
Couplings for rubber hoses	Couplingsforrubberhoses_CP
Lubricators, fitted with claw couplings	Lubricators_CP
Water seperators, fitted with claw couplings	Waterseperatorscp
Pre-mounted universal hoses with claw couplings	
Hose rolls	
Rubber hose & accessories	RubberhoseaccessoriesCP
Whip Check	Whipchec_AC

CP AIROLENE PLUS TOOL OIL	Oil Volume		Part Number
	l	US gal	
5 Liter Container	5.0	1.32	8099 0202 49
4 x 5 Liter Container	20.0	5.28	8099 0202 51

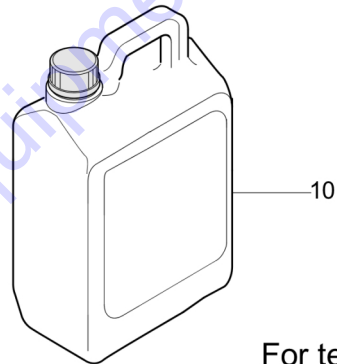
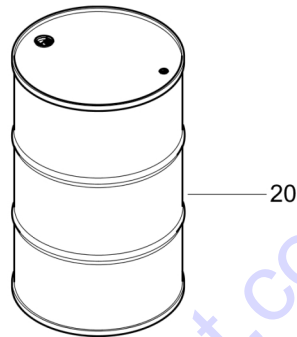


For tech. details check next page

Id	Qty	Number	Name	Specifications
1	1	8099020249	AIROLENE PLUS TOOL OIL - 5L	
2	1	8099020251	AIROLENE PLUS TOOL OIL - 4X5L	

Go to Discount-Equipment.com to order your parts

Description	Oil Volume		Weight		Parts number
	l	Gal	Kg		
5L Can	5	1.1	5.8	10	3310103157
210 Drum	210	55.4	231	20	3310103158



For tech. details check next page

Id	Qty	Number	Name	Specifications
10	1	3310103157	GENOIL PNEUMATIC , 5L	
20	1	3310103158	GENOIL PNEUMATIC , 210L DRUM	

Go to Discount-Equipment.com to order your parts

Description	Working length		Total length		Blade / Tip width		Weight	Part number
	mm	in	mm	in	mm	in	kg ¹⁾	
Plug hole drill ²⁾	80	3	110	4 ¼	Ø 8	Ø 5/16	0.02	1 0701 0808 00
	100	4	130	5	Ø 10	Ø 13/32	0.04	1 0701 1010 00
	120	4 ¾	150	6	Ø 12	Ø ½	0.08	1 0701 1212 00
Plug hole drill	150	6	250	10	Ø 16	Ø 5/8	0.4	2 0700 1416 32
	230	9	330	13	Ø 19	Ø ¾	0.5	2 0700 2019 32
	230	9	330	13	Ø 22	Ø 7/8	0.6	2 0700 2022 32
	230	9	330	13	Ø 25	Ø 1	0.7	2 0700 2025 32
	330	13	430	17	Ø 32	Ø 1 ¼	1.0	2 0700 3032 32
	330	13	430	17	Ø 32	Ø 1 ¼	1.4	2 0700 3038 32
Shank adapter ³⁾	-	-	125	5	-	-	0.2	3 0701 1001 32
Knock-out block ^{2) 3)}	-	-	-	-	-	-	0.8	4 3085 0210 00
Moil Point DKR-36	210	8 ¼	300	12	-	-	0.6	5 3083 3263 00
Narrow Chisel DKR-36	210	8 ¼	300	12	-	-	0.6	6 3083 3264 00

Id	Qty	Number	Name	Specifications
1	1	0701080800	Plug Hole Drill Rd 19 - Hex 14.7 X 89 Mm	
1	1	0701101000	Plug Hole Drill Rd 19 - Hex 14.7 X 89 Mm	
1	1	0701121200	PLUG HOLE DRILL	
2	1	0700141632	PLUG HOLE DRILL	
2	1	0700201932	PLUG HOLE DRILL	
2	1	0700202232	Plug Hole Drill Rd 19 - Hex 14.7 X 89 Mm	
2	1	0700202532	PLUG HOLE DRILL	
2	1	0700303232	PLUG HOLE DRILL	
2	1	0700303832	PLUG HOLE DRILL	
3	1	0701100132	Shank adapter	
4	1	3085021000	Knock-out block	
5	1	3083326300	MOIL POINT	
6	1	3083326400	NARROW CHISEL	

Go to Discount-Equipment.com to order your parts

Description	Working length	Total length	Blade / Tip width	Weight	Part number
	in	in	in	lbs	
Plug hole drill	8	13	Ø ½	0.88	3083 4150 00
Plug hole drill	8	13	Ø 5/8	0.88	3083 4151 00
Plug hole drill	12	17	Ø 5/8	1.1	3083 4151 10
Plug hole drill	8	13	Ø ¾	1.1	3083 4152 00
Plug hole drill	12	17	Ø ¾	1.32	3083 4152 10
Plug hole drill	8	13	Ø 7/8	1.1	3083 4153 00
Plug hole drill	12	17	Ø 7/8	1.98	3083 4153 10
Plug hole drill	18	23	Ø 7/8	2.64	3083 4153 20
Plug hole drill	8	13	Ø 1	1.32	3083 4154 00
Plug hole drill	12	17	Ø 1	2.2	3083 4154 10
Plug hole drill	18	23	Ø 1	2.86	3083 4154 20
Plug hole drill DKR-36R	10	16	Ø 1/2	1.1	3083 4150 10
Plug hole drill DKR-36R	18	23	Ø 5/8	1.76	3083 4151 20
Plug hole drill DKR-36R	18	23	Ø ¾	1.98	3083 4152 20
Adaptor CP 9 to SDS Plus					R137586



1

For tech. details check next page

Id	Qty	Number	Name	Specifications
1	1	3083415000	Plug Hole Drill Rod 19X95Mm(3/4"X3 3/4")	
1	1	3083415100	Plug Hole Drill Rod 19X95Mm(3/4"X3 3/4")	
1	1	3083415110	Plug Hole Drill Rod 19X95Mm(3/4"X3 3/4")	
1	1	3083415200	Plug hole drill, Drill depth= 8in, Bit diameter=Ø3/4in	
1	1	3083415210	Plug hole drill, Drill depth= 12in, Bit diameter=Ø3/4in	
1	1	3083415300	Plug Hole Drill Rod 19X95Mm(3/4"X3 3/4")	
1	1	3083415310	Plug Hole Drill Rod 19X95Mm(3/4"X3 3/4")	
1	1	3083415320	PLUG HOLE DRILL	
1	1	3083415400	Plug Hole Drill Rod 19X95Mm(3/4"X3 3/4")	
1	1	3083415410	PLUG HOLE DRILL	
1	1	3083415420	PLUG HOLE DRILL	
1	1	3083415010	PLUG HOLE DRILL	
1	1	3083415120	PLUG HOLE DRILL	
1	1	3083415220	PLUG HOLE DRILL	
1	1	R137586	Adapter Cp9 To Sdsplus	

Description	Working length		Total length		Blade / Tip width		Weight kg ¹⁾	Part number
	mm	in	mm	in	mm	in		
Moil point	330	13	420	17	-	-	1.4	1 3083 4170 00
Narrow chisel	330	13	420	17	-	-	1.4	2 3083 4170 10



1



2

For tech. details check next page

Id	Qty	Number	Name	Specifications
1	1	3083417000	MOIL POINT	
2	1	3083417010	NARROW CHISEL	

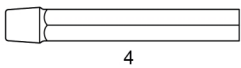
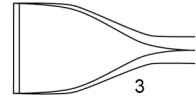
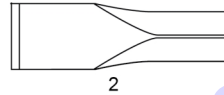
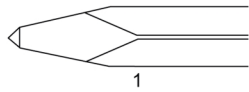
Go to Discount-Equipment.com to order your parts

Description	Working length		Total length		Blade / Tip width		Weight	Part number
	mm	in	mm	in	mm	in	kg ¹⁾	
Moil point	210	8 ¼	300	12	-	-	0.6	1 3083 3263 00
Narrow chisel	210	8 ¼	300	12	-	-	0.6	2 3083 3264 00

Id	Qty	Number	Name	Specifications
1	1	3083326300	MOIL POINT	
2	1	3083326400	NARROW CHISEL	

Go to Discount-Equipment.com to order your parts

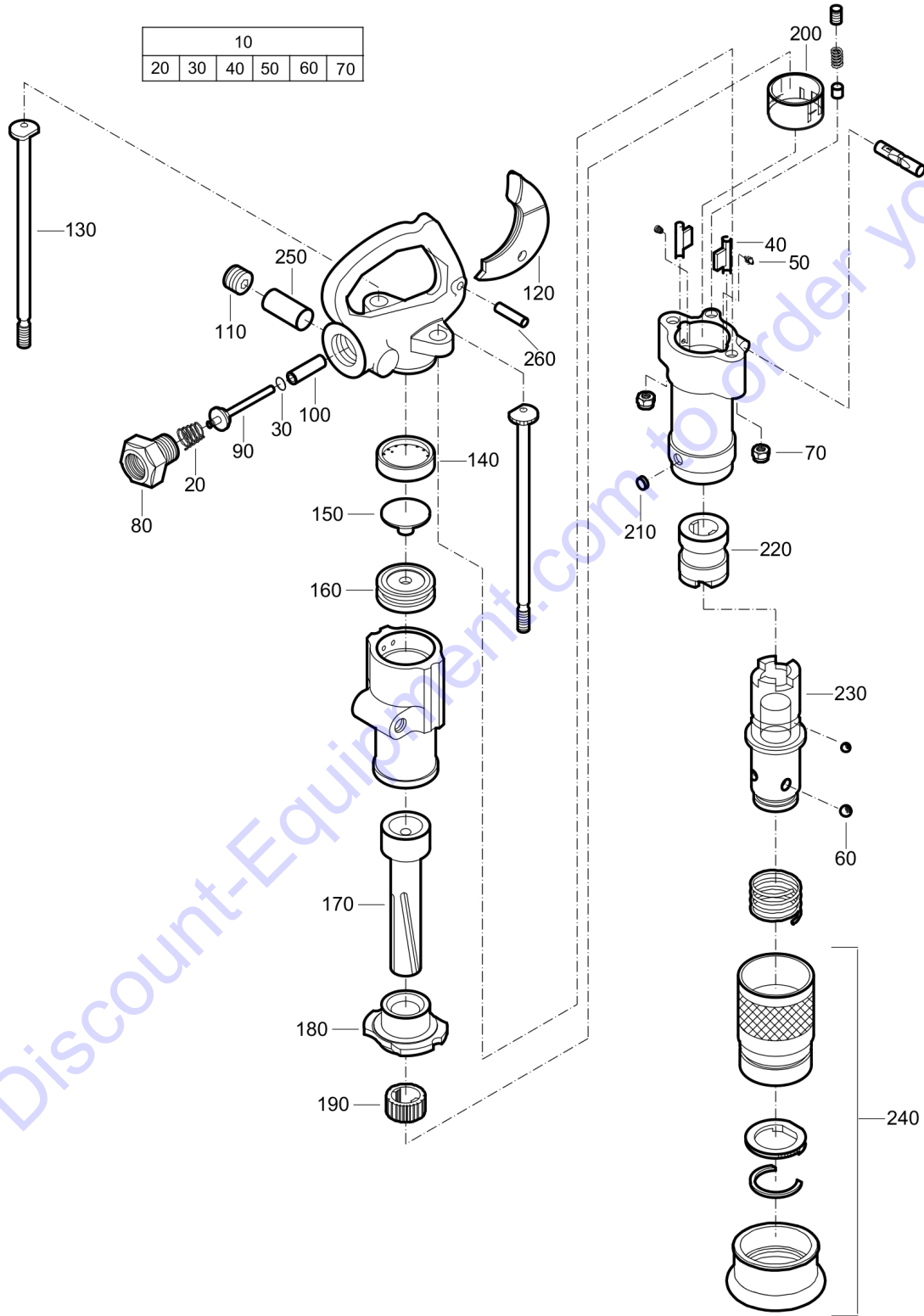
Description	Working length		Total length		Blade / Tip width		Weight	Part number
	mm	in	mm	in	mm	in	kg ¹⁾	
Moil point	150	6	255	10	-	-	0.7	1 3083 4160 00
	275	11	380	15	-	-	1.0	1 3083 3261 00
Narrow chisel	150	6	255	10	-	-	0.7	2 3083 4161 00
	275	11	380	15	-	-	1.0	2 3083 3262 00
Wide chisel	150	6	255	10	75	3	0.8	3 3083 4165 00
Shaft for bush hammer	125	5	380	9	-	-	0.6	4 3083 4162 00
Bush hammer TC head	-	-	-	-	□40	□1 ½	0.5	5 3083 3226 00
	-	-	-	-	□40	□1 ½	0.5	5 3083 3227 00
Bush hammer steel head	-	-	-	-	□32	□1 ¼	0.2	6 3083 4163 00



For tech. details check next page

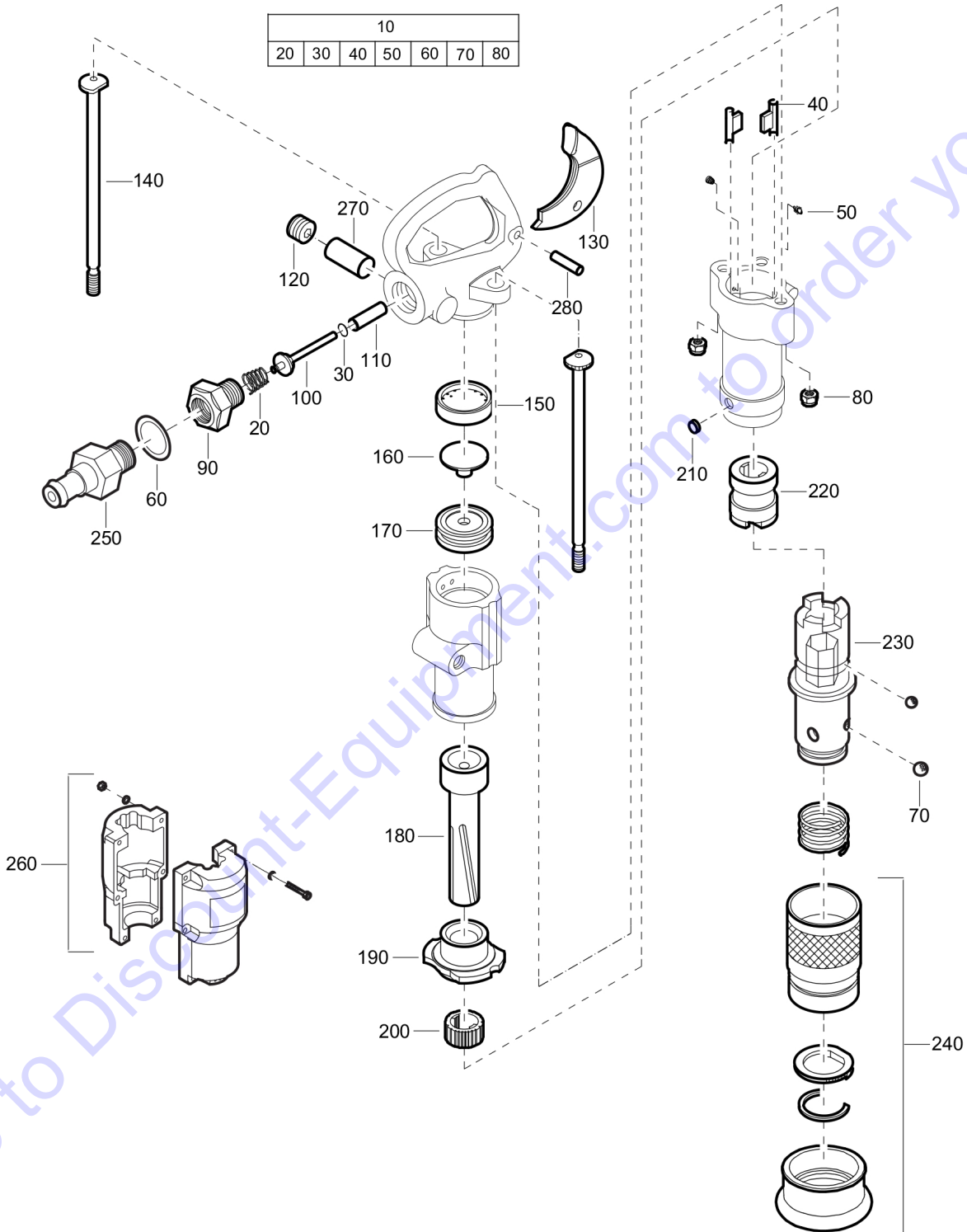
Id	Qty	Number	Name	Specifications
1	1	3083416000	MOIL POINT	
1	1	3083326100	MOIL POINT	
2	1	3083416100	NARROW CHISEL	
2	1	3083326200	NARROW CHISEL	
3	1	3083416500	WIDE CHISEL	
4	1	3083416200	SHAFT FOR BUSH HAMMER	
5	1	3083322600	BUSH HAMMER TC HEAD	
5	1	3083322700	BUSH HAMMER TC HEAD	
6	1	3083416300	BUSH HAMMER STEEL HEAD	

Go to Discount-Equipment.com to order your parts

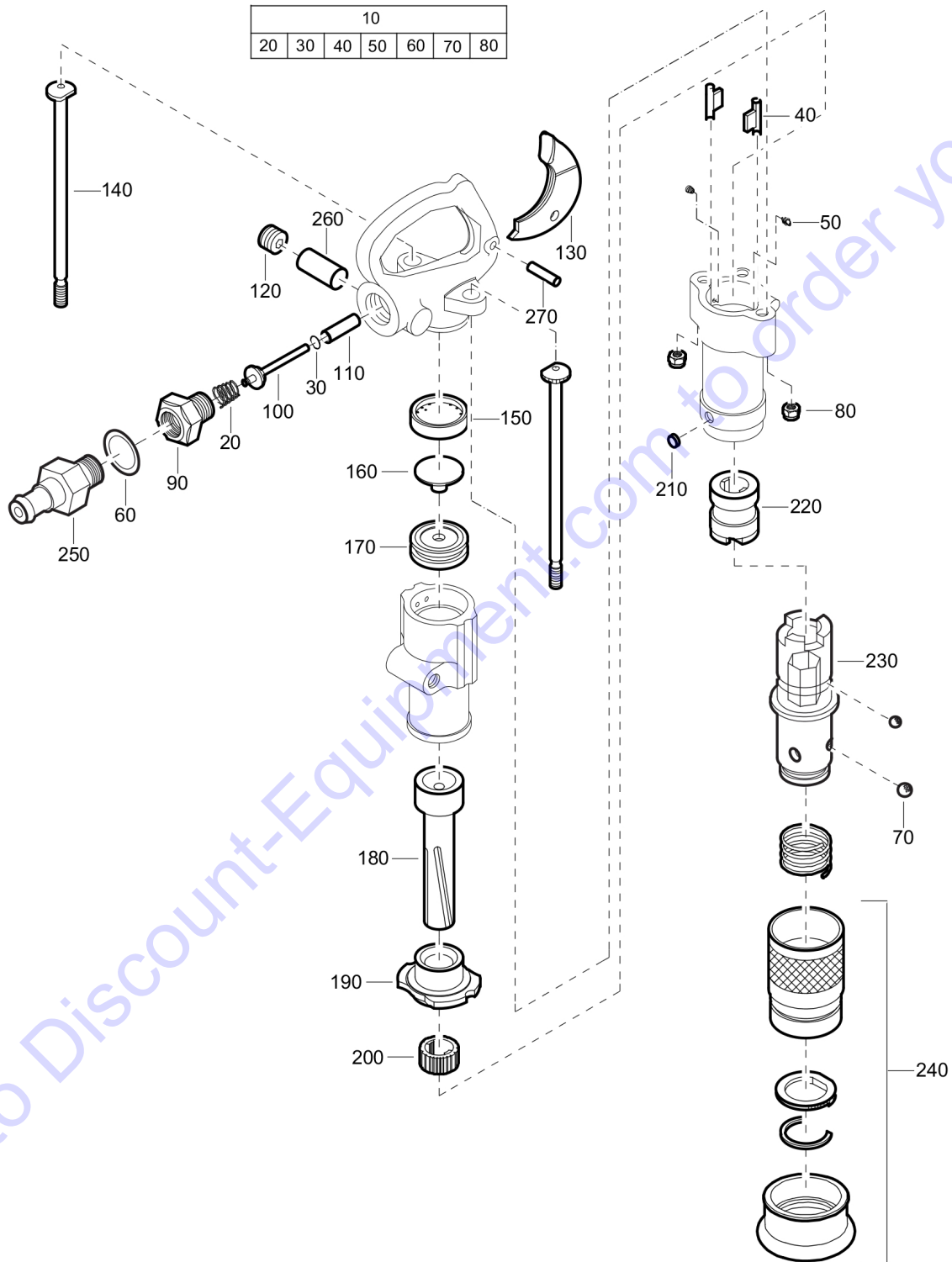


Go to Discount-Equipment.com to order your parts

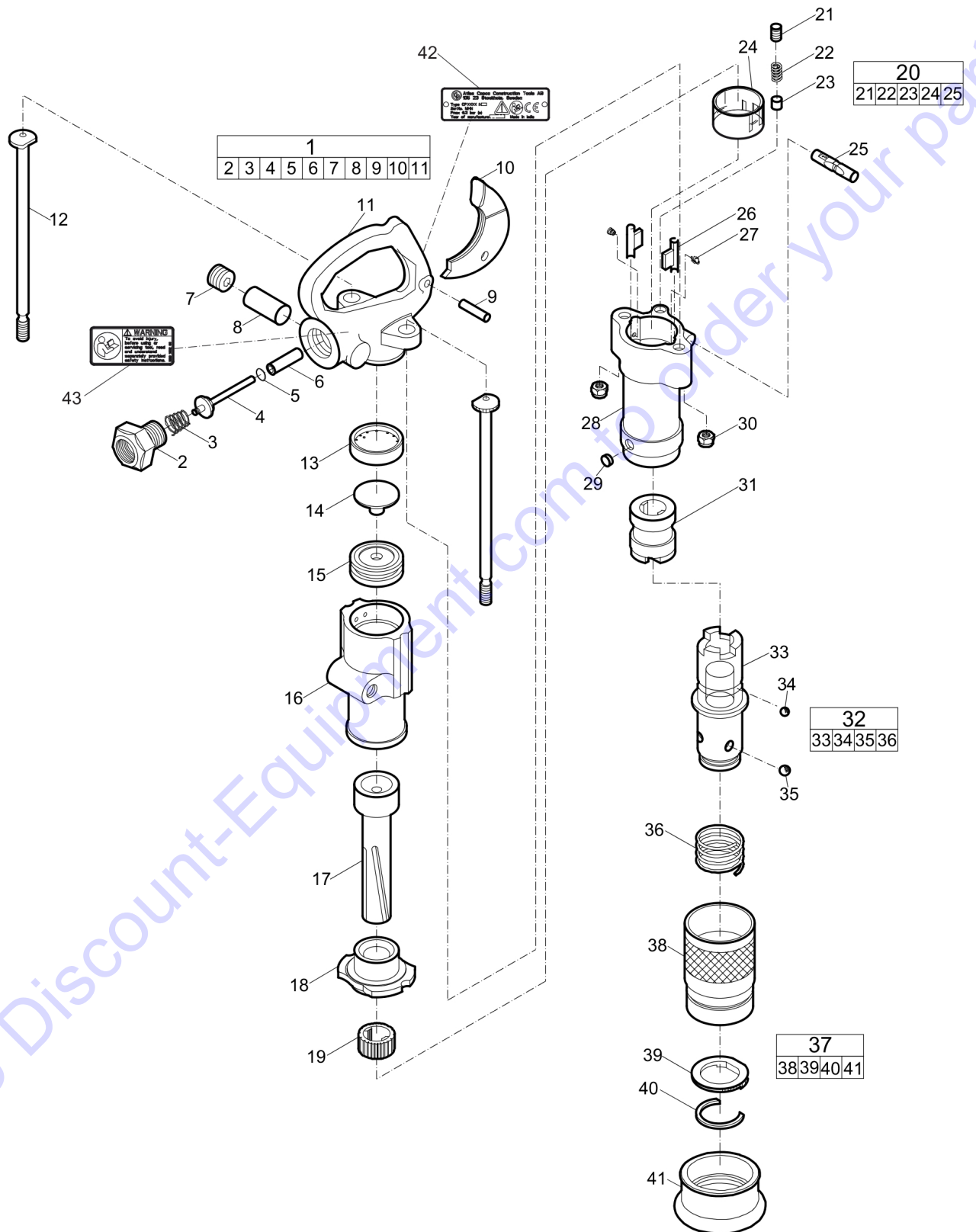
Id	Qty	Number	Name	Specifications
10	1	3310102488	Service Kit - CP 0009 A & F	
20	1	R085596	THROTTLE VL SPR	
30	1	R086098	O RING VAL SEAT	
40	2	R051355	Pawl	
50	2	R085890	Spring - pawl	
60	4	Z8768412	BALL - STEEL SET	
70	2	S013073	HEX STOP NUT	
-			Recommended Parts list	
80	1	R085893	INLET BUSHING	
90	1	R086329	Valve - throttle	
100	1	R085599	BUSHING	
110	1	C077941	Plug - pipe, Ø 3/8 in., Ø 9.5 mm	
120	1	F027853	Lever - throttle	
130	2	F034249	Bolt - thru	
140	1	R085896	REAR VAL SEAT	
150	1	R085897	REGULATING VALVE	
160	1	R085898	Front valve seat	
170	1	F816122	Piston	
180	1	R051356	CYL BUSHING	
190	1	F816123	Ratchet ring	
200	1	Z8294412	Sleeve - shifter	
210	1	F061888	PLUG-BALL RETAINER	
220	1	R085900	Chuck sleeve	
230	1	Z8366412	Round chuck, complete	
240	1	Z8375412	RETAINER SLEEVE KIT	
250	1	R085895	Felt - oil chamber	
260	1	A043627	Pin - Trigger	



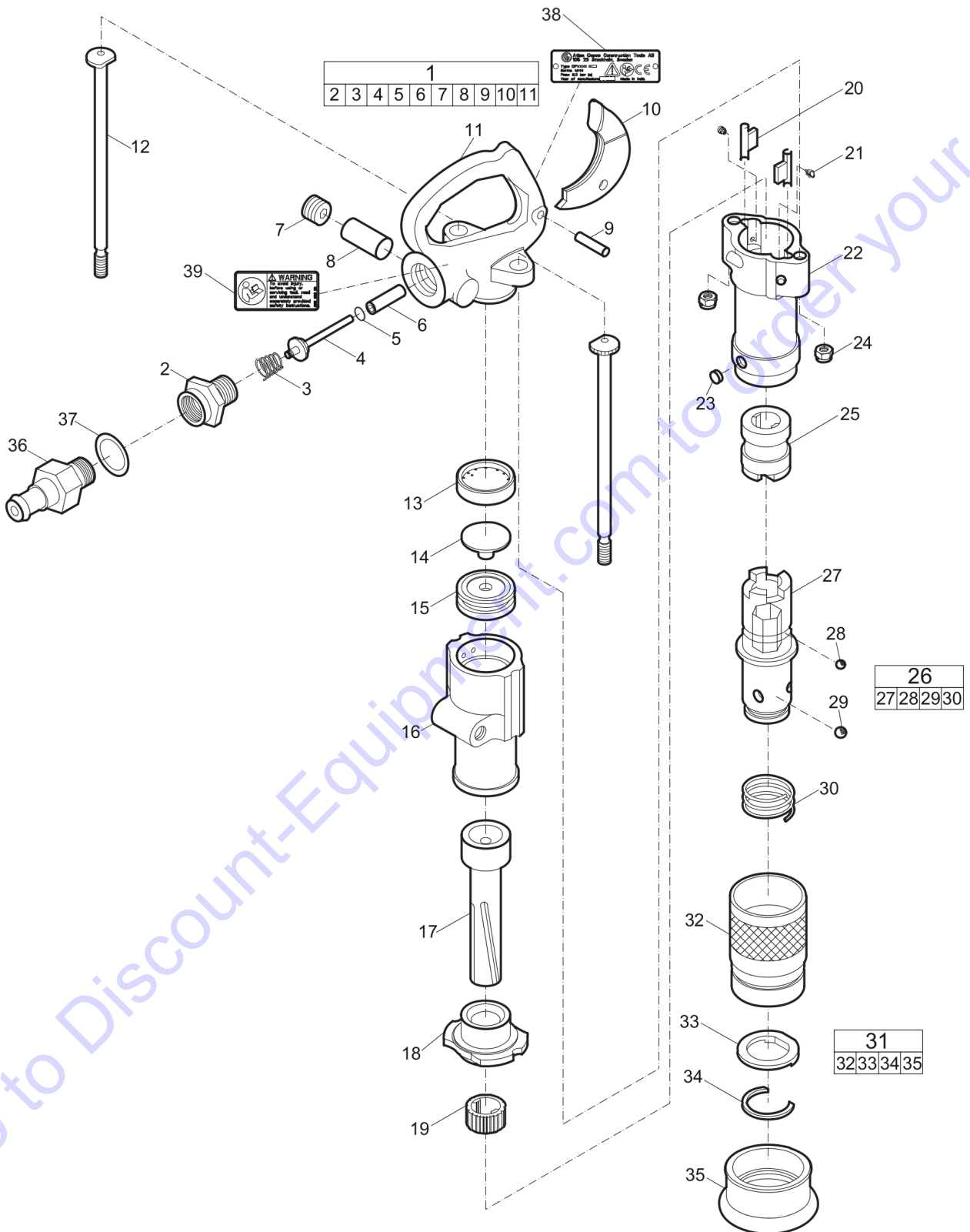
Id	Qty	Number	Name	Specifications
10	1	3310102489	Service Kit - CP 0009 E, ES & CS	
20	1	R085596	THROTTLE VL SPR	
30	1	R086098	O RING VAL SEAT	
40	2	F034066	Pawl	
50	2	R085890	Spring - pawl	
60	1	F064696	GASKET	
70	4	Z8768412	BALL - STEEL SET	
80	2	S013073	HEX STOP NUT	
-			Recommended Parts list	
90	1	F064697	Bushing - air inlet, 3/8 in. BSP (collared head)	
100	1	R086329	Valve - throttle	
110	1	R085599	BUSHING	
120	1	C077941	Plug - pipe, Ø 3/8 in., Ø 9.5 mm	
130	1	F027853	Lever - throttle	
140	2	F034249	Bolt - thru	
150	1	R085896	REAR VAL SEAT	
160	1	R085897	REGULATING VALVE	
170	1	R085898	Front valve seat	
180	1	F816122	Piston	
190	1	R085887	BUSHING-CYLINDER	
200	1	F816123	Ratchet ring	
210	1	F061888	PLUG-BALL RETAINER	
220	1	R085900	Chuck sleeve	
230	1	Z8368412	Hexagon chuck, complete	
240	1	Z8375412	RETAINER SLEEVE KIT	
250	1	F064695	HOSE-TAIL	
260	1	Z3631412	MUFFLER SCREW SET	
270	1	R085895	Felt - oil chamber	
280	1	A043627	Pin - Trigger	



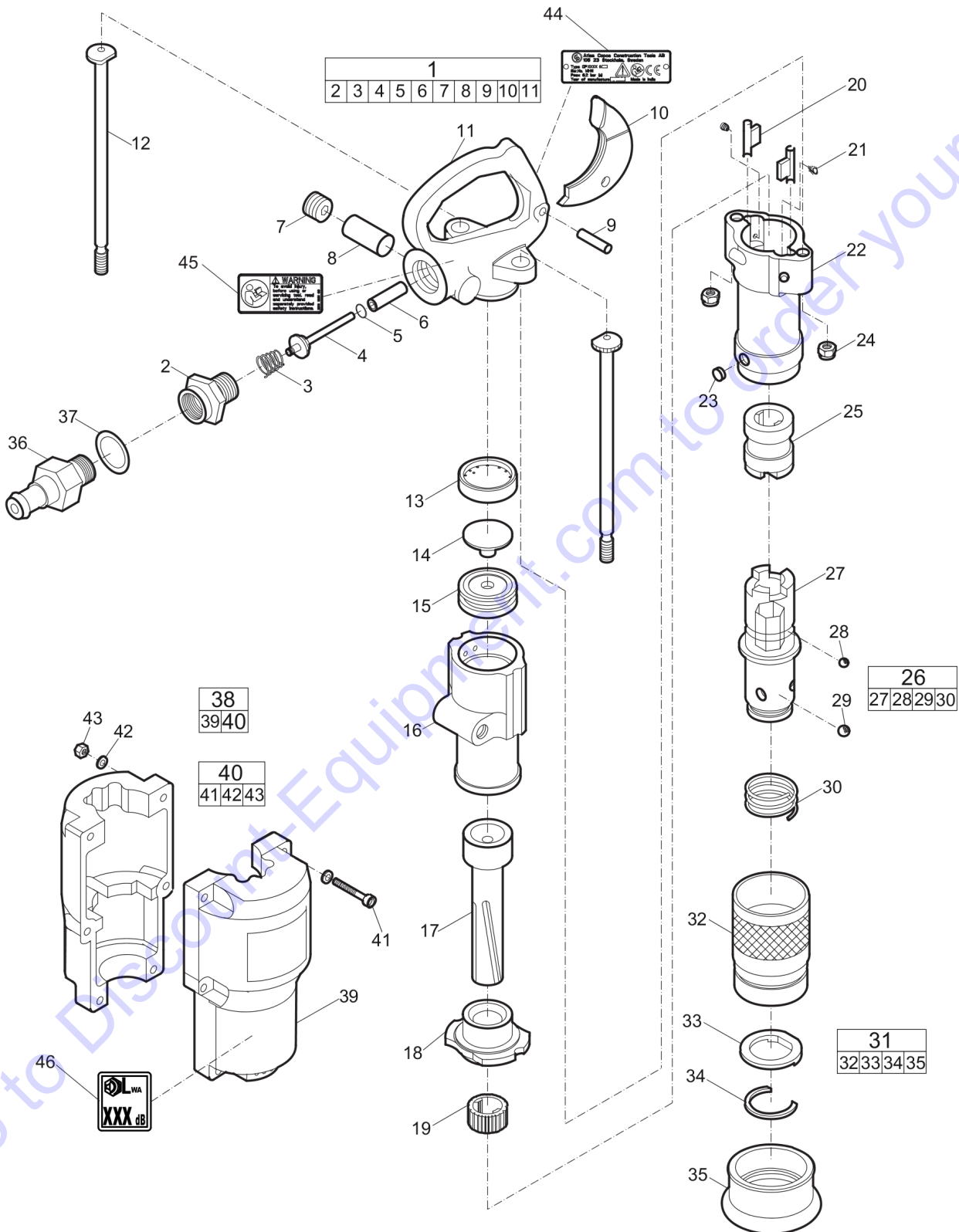
Id	Qty	Number	Name	Specifications
10	1	3310102489	Service Kit - CP 0009 E, ES & CS	
20	1	R085596	THROTTLE VL SPR	
30	1	R086098	O RING VAL SEAT	
40	2	F034066	Pawl	
50	2	R085890	Spring - pawl	
60	1	F064696	GASKET	
70	4	Z8768412	BALL - STEEL SET	
80	2	S013073	HEX STOP NUT	
-			Recommended Parts list	
90	1	F064697	Bushing - air inlet, 3/8 in. BSP (collared head)	
100	1	R086329	Valve - throttle	
110	1	R085599	BUSHING	
120	1	C077941	Plug - pipe, Ø 3/8 in., Ø 9.5 mm	
130	1	F027853	Lever - throttle	
140	2	F034249	Bolt - thru	
150	1	R085896	REAR VAL SEAT	
160	1	R085897	REGULATING VALVE	
170	1	R085898	Front valve seat	
180	1	F816122	Piston	
190	1	R085887	BUSHING-CYLINDER	
200	1	F816123	Ratchet ring	
210	1	F061888	PLUG-BALL RETAINER	
220	1	R085900	Chuck sleeve	
230	1	Z8368412	Hexagon chuck, complete	
240	1	Z8375412	RETAINER SLEEVE KIT	
250	1	F064695	HOSE-TAIL	
260	1	R085895	Felt - oil chamber	
270	1	A043627	Pin - Trigger	



Id	Qty	Number	Name	Specifications
1	1	R278018	HANDLE COMPLETE (CP 9)	
2	1	R085893	INLET BUSHING	
3	1	R085596	THROTTLE VL SPR	
4	1	R086329	Valve - throttle	
5	1	R086098	O RING VAL SEAT	
6	1	R085599	BUSHING	
7	1	C077941	Plug - pipe, Ø 3/8 in., Ø 9.5 mm	
8	1	R085895	Felt - oil chamber	
9	1	A043627	Pin - Trigger	
10	1	F027853	Lever - throttle	
11	1		Handle	
12	2	F034249	Bolt - thru	
13	1	R085896	REAR VAL SEAT	
14	1	R085897	REGULATING VALVE	
15	1	R085898	Front valve seat	
16	1	R085886	Cylinder	
17	1	F816122	Piston	
18	1	R051356	CYL BUSHING	
19	1	F816123	Ratchet ring	
20	1	Z8294412	Sleeve - shifter	
21	1	C102507	PIPE PLUG	
22	1	R051353	SPRING-PLUNGER	
23	1	R051352	PLUNGER- LEVER	
24	1	Z8294412	Sleeve - shifter	
25	1	R051351	SHIFTER PLUNGER	
26	2	R051355	Pawl	
27	2	R085890	Spring - pawl	
28	1	F816120	FRONTHEAD	
29	1	F061888	PLUG-BALL RETAINER	
30	2	S013073	HEX STOP NUT	
31	1	R085900	Chuck sleeve	
32	1	Z8366412	Round chuck, complete	
33	1		Chuck	
34	17	Z8767412	Chuck retainer ball, complete	
35	4	Z8768412	BALL - STEEL SET	
36	1	R086605	STEEL RET SPR	
37	1	Z8375412	RETAINER SLEEVE KIT	
38	1		Retainer	
39	1	F826683	PLATE-RETAINER	
40	1	F826893	RING-RETAINER	
41	1	F815343	Dust excluder	
42	1		Data plate (Not available separately)	
43	1	3310160200	Safety label	

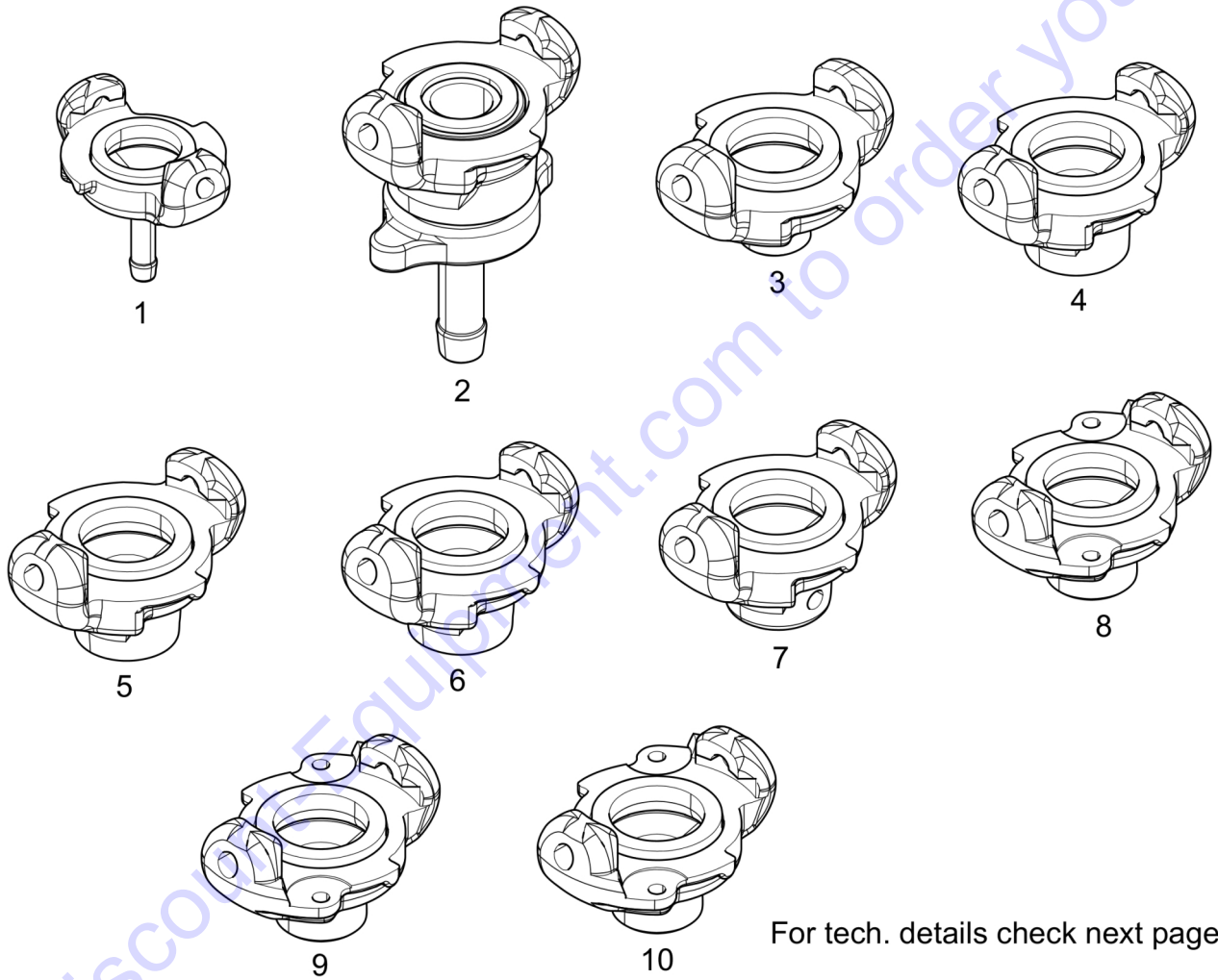


Id	Qty	Number	Name	Specifications
1	1	3310102628	Handle, complete	
2	1	F064697	Bushing - air inlet, 3/8 in. BSP (collared head)	
3	1	R085596	THROTTLE VL SPR	
4	1	R086329	Valve - throttle	
5	1	R086098	O RING VAL SEAT	
6	1	R085599	BUSHING	
7	1	C077941	Plug - pipe, Ø 3/8 in., Ø 9.5 mm	
8	1	R085895	Felt - oil chamber	
9	1	A043627	Pin - Trigger	
10	1	F027853	Lever - throttle	
11	1		Handle	
12	2	F034249	Bolt - thru	
13	1	R085896	REAR VAL SEAT	
14	1	R085897	REGULATING VALVE	
15	1	R085898	Front valve seat	
16	1	R085886	Cylinder	
17	1	F816122	Piston	
18	1	R085887	BUSHING-CYLINDER	
19	1	F816123	Ratchet ring	
20	2	F034066	Pawl	
21	2	R085890	Spring - pawl	
22	1	R136592	FRONTHEAD	
23	1	F061888	PLUG-BALL RETAINER	
24	2	S013073	HEX STOP NUT	
25	1	R085900	Chuck sleeve	
26	1	Z8368412	Hexagon chuck, complete	
27	1		Chuck	
28	17	Z8767412	Chuck retainer ball, complete	
29	4	Z8768412	BALL - STEEL SET	
30	1	F816162	SPRING-CHUCK	
31	1	Z8375412	RETAINER SLEEVE KIT	
32	1		Retainer	
33	1	F826683	PLATE-RETAINER	
34	1	F826893	RING-RETAINER	
35	1	F815343	Dust excluder	
36	1	F064695	HOSE-TAIL	
37	1	F064696	GASKET	
38	1		Data plate (Not available separately)	
39	1	3310160200	Safety label	



Id	Qty	Number	Name	Specifications
1	1	3310102628	Handle, complete	
2	1	F064697	Bushing - air inlet, 3/8 in. BSP (collared head)	
3	1	R085596	THROTTLE VL SPR	
4	1	R086329	Valve - throttle	
5	1	R086098	O RING VAL SEAT	
6	1	R085599	BUSHING	
7	1	C077941	Plug - pipe, Ø 3/8 in., Ø 9.5 mm	
8	1	R085895	Felt - oil chamber	
9	1	A043627	Pin - Trigger	
10	1	F027853	Lever - throttle	
11	1		Handle	
12	2	F034249	Bolt - thru	
13	1	R085896	REAR VAL SEAT	
14	1	R085897	REGULATING VALVE	
15	1	R085898	Front valve seat	
16	1	R085886	Cylinder	
17	1	F816122	Piston	
18	1	R085887	BUSHING-CYLINDER	
19	1	F816123	Ratchet ring	
20	2	F034066	Pawl	
21	2	R085890	Spring - pawl	
22	1	R136592	FRONTHEAD	
23	1	F061888	PLUG-BALL RETAINER	
24	2	S013073	HEX STOP NUT	
25	1	R085900	Chuck sleeve	
26	1	Z8368412	Hexagon chuck, complete	
27	1		Chuck	
28	17	Z8767412	Chuck retainer ball, complete	
29	4	Z8768412	BALL - STEEL SET	
30	1	F816162	SPRING-CHUCK	
31	1	Z8375412	RETAINER SLEEVE KIT	
32	1		Retainer	
33	1	F826683	PLATE-RETAINER	
34	1	F826893	RING-RETAINER	
35	1	F815343	Dust excluder	
36	1	F064695	HOSE-TAIL	
37	1	F064696	GASKET	
38	1	F826972	Muffler, complete	
39	2		Muffler	
40	1	Z3631412	MUFFLER SCREW SET	
41	6		Capscrew	
42	12		Washer	
43	6		Nut	
44	1		Data plate (Not available separately)	
45	1	3310160200	Safety label	
46	1		Noise level label	

Connection	Connection thread	Bore		Weight	Part number
		mm	in	kg ¹⁾	
External thread	G 3/8 A	11.3	7/16	0.11	3 9000 0300 00
	G 1/2 A	14.8	37/64	0.12	3 9000 0301 00
	G 3/4 A	19.0	3/4	0.13	3 9000 0302 00
	G1A	25.5	1	0.13	3 9000 0303 00
Internal thread Internal thread	G 3/8	15.0	19/32	0.12	4 9000 0304 00
	G 1/2	18.6	3/4	0.13	4 9000 0305 00
	G 3/4	24.2	1	0.14	4 9000 0306 00
Internal thread, with strainer	G 3/4	24.2	1	0.14	5 9000 0306 01
Internal thread	G1	30.3	1 3/16	0.15	6 9000 0307 00
Cover	-	-	-	0.18	7 9000 0314 00
Forged claw coupling	G1/2A (M-AUS)	14.8	37/64	0.12	8 9001000301
	G1A (M-AUS)	25.5	1	0.13	8 9001000303
	G1/2 (F-AUS)	18.6	3/4	0.13	8 9001000305
	G1 (F-AUS)	30.3	1 3/16	0.15	8 9001000307
Forged claw coupling 10.0 mm	(HN-AUS)	-	-	-	9 9001000310
Forged claw coupling 25.0 mm	(HN-AUS)	-	-	-	10 9001000313

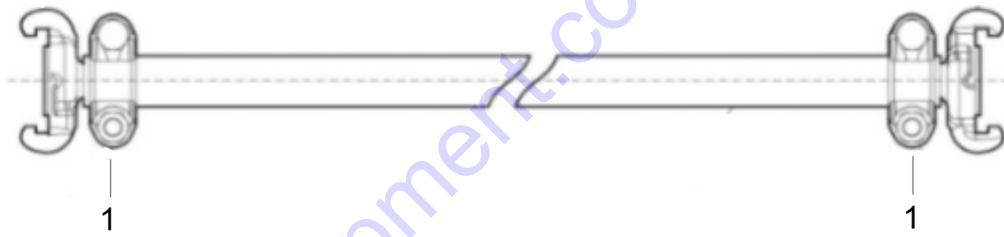


For tech. details check next page

Connection	Hose inner diameter		Bore		Weight kg ¹⁾	Part number
	mm	in	mm	in		
Hose nipple	6.3	1/4	5.0	3/16	0.11	1 9000 0308 00
	10.0	3/8	8.0	5/16	0.13	1 9000 0309 00
	12.5	1/2	10.5	13/32	0.14	1 9000 0310 00
	16.0	5/8	13.5	17/32	0.14	1 9000 0311 00
	20.0	3/4	17.2	11/16	0.15	1 9000 0312 00
	25.0	1	22.0	7/8	0.17	1 9000 0313 00
Hose nipple with lock nut	10.0	3/8	8.0	5/16	0.29	2 9000 0260 00
	12.5	1/2	10.5	13/32	0.29	2 9000 0261 00
	16.0	5/8	13.5	17/32	0.29	2 9000 0262 00
	20.0	3/4	17.2	11/16	0.32	2 9000 0263 00
	25.0	1	22.0	7/8	0.32	2 9000 0264 00

Id	Qty	Number	Name	Specifications
1	1	9000030800	CLAW COUPLING H06	
1	1	9000030900	CLAW COUPLING H10	
1	1	9000031000	FORGED CLAW COUPLING 12.5MM (HN)	
1	1	9000031100	CLAW COUPLING	
1	1	9000031200	COUPLING	
1	1	9000031300	CLAW COUPLING	
2	1	9000026000	CLAW COUPLING LNH10	
2	1	9000026100	FORGED CLAW COUPLING 12.5 MM (HN-LN)	
2	1	9000026200	CLAW COUPLING LNH16	
2	1	9000026300	NIPPLE -CLAW COUPLING HOSE 3/4	
2	1	9000026400	CLAW. COUPLING	
3	1	9000030000	RACCORD A GRIFFE M-10	
3	1	9000030100	CLAW COUPLING	
3	1	9000030200	QUICK COUPLING - COMPLETE	
3	1	9000030300	PIPE COUPL.	
4	1	9000030400	CLAW COUPLING F10	
4	1	9000030500	coupling	
4	1	9000030600	COUPLING	
5	1	9000030601	CLAW COUPLING	
6	1	9000030700	PIPE COUPLING	
7	1	9000031400	COUPLING	
8	1	9001000301	COUPLING	
8	1	9001000303	COUPLING	
8	1	9001000305	COUPLING	
8	1	9001000307	COUPLING	
9	1	9001000310	COUPLING	
10	1	9001000313	COUPLING	

Description	Hose dimension, external diameter	Round rubber, hose dimension, internal diameter	Flat hose dimension, internal diameter	Part number
	in	in	in	
Two piece hose clamp	$\frac{7}{8} - 1 \frac{1}{8}$	$\frac{1}{2}$	$\frac{3}{4}$	9000 0050 00
Two piece hose clamp	$1 \frac{1}{8} - 1 \frac{3}{8}$	$\frac{3}{4}$	1	9000 0051 00
Two piece hose clamp	$1 \frac{3}{8} - 1 \frac{9}{16}$	1	-	9000 0052 00



For tech. details check next page

Id	Qty	Number	Name	Specifications
1	2	9000005000	HOSE CLAMP	
1	2	9000005100	HOSE CLAMP	
1	2	9000005200	HOSECLAMP	

Go to Discount-Equipment.com to order your parts

Connection	Hose inner diameter	Bore	Weight	Part number
	in	in	lbs	
Hose nipple	$\frac{3}{8}$	$\frac{5}{64}$	0.352	9001 0005 11
Hose nipple	$\frac{1}{2}$	$\frac{23}{64}$	0.396	9001 0005 10
Hose nipple	$\frac{3}{4}$	$\frac{9}{16}$	0.528	9001 0005 12
Hose nipple	1	$\frac{3}{4}$	0.638	9001 0005 13
Internal thread	$\frac{3}{4}$ " NPT	$\frac{3}{4}$	0.440	9001 0005 06



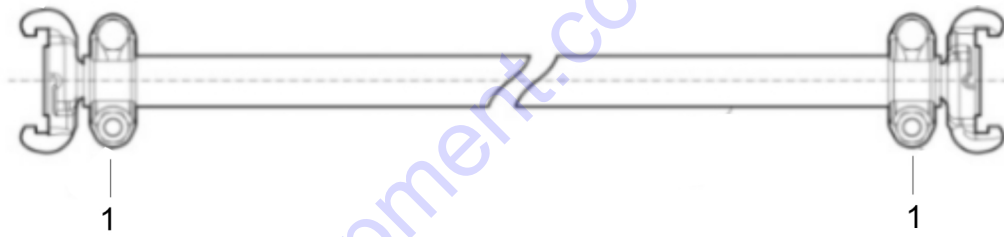
For tech. details check next page

Id	Qty	Number	Name	Specifications
1	1	9001000511	COUPLING	
1	1	9001000510	COUPLING	
1	1	9001000512	COUPLING	
1	1	9001000513	COUPLING	
2	1	9001000506	COUPLING	

Go to Discount-Equipment.com to order your parts

Description	Part number
Hose Clamp - 1/2" Rubber & 3/4" Redex Hose 2-Bolts	1 9000 0050 00
Hose Clamp - 3/4" Rubber & 1" Redex Hose 2-Bolts	1 9000 0051 00

Go to Discount-Equipment.com to order your parts

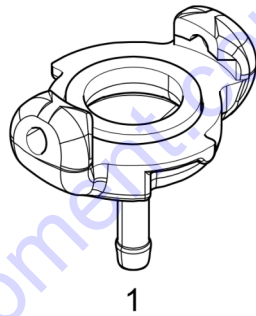


For tech. details check next page

Id	Qty	Number	Name	Specifications
1	1	9000005000	HOSE CLAMP	
1	1	9000005100	HOSE CLAMP	

Go to Discount-Equipment.com to order your parts

Description	Hose Inner diameter	Weight	Part number	
	in	lbs		
Claw Coupling 3/8" Hose Barb	3/8	0.352	1	9001 0005 11
Claw Coupling 1/2" Hose Barb	1/2	0.3	1	9001 0005 10
Claw Coupling 3/4" Hose Barb	3/4	0.45	1	9001 0005 12
Claw Coupling 1" Hose Barb	1	0.638	1	9001 0005 13

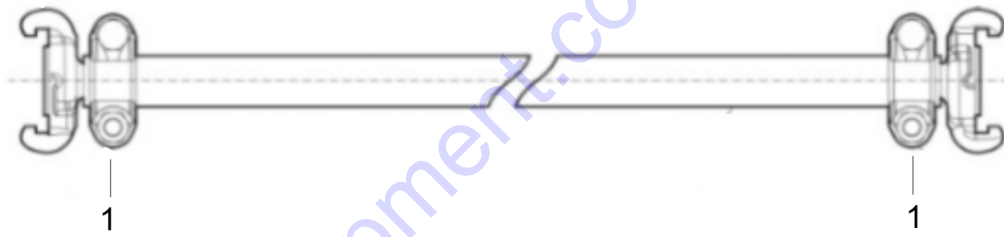


For tech. details check next page

Id	Qty	Number	Name	Specifications
1	1	9001000511	COUPLING	
1	1	9001000510	COUPLING	
1	1	9001000512	COUPLING	
1	1	9001000513	COUPLING	

Go to Discount-Equipment.com to order your parts

Description	Hose Inner diameter	Comments	Part number
	in		
Coupling - 1/2" Universal	½	Female	1 9246 0204 38
Coupling - 3/4" Universal	¾	Female	1 9246 0204 39
Coupling - 1" Universal	1	Female	1 9246 0204 40
Coupling - 1/2" Universal	½	Male	1 9246 0204 41
Coupling - 3/4" Universal	¾	Male	1 9246 0204 42
Coupling - 1" Universal	1	Male	1 9246 0204 43

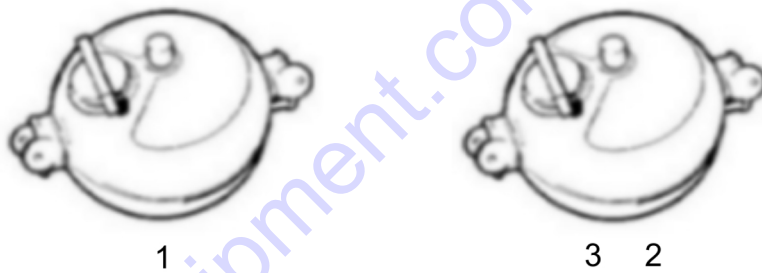


For tech. details check next page

Id	Qty	Number	Name	Specifications
1	1	9246020438	COUPLING 1/2" UNIVERSAL/HEMBRA	
1	1	9246020439	3/4 FEMALE UNIVERSAL	
1	1	9246020440	COUPLING-1" UNIVERSAL FEMALE	
1	1	9246020441	COUPLING-1/2" UNIVERSAL MALE	
1	1	9246020442	COUPLING-3/4" UNIVERSAL MALE	
1	1	9246020443	COUPLING-1" UNIVERSAL MALE	

Go to Discount-Equipment.com to order your parts

	Hose internal diameter	Air flow	Volume	Weight	Part number
	in	cfm	oz	lb	European type
LUBRICATORS					
Lubricators 43, 1" NPT US type claw coupling (premounted)	1	32 – 300	43	15.4	8900 0050 07
Lubricators 3/4" NPT US type claw coupling	3/4	32 – 300	11	15.4	9246 0203 68
Lubricators 3/4" NPT US type claw coupling	3/4	32 – 300	8	15.4	9246 0206 64
Lubricators 3/4" NPT US type claw coupling	3/4	32 – 300	5	15.4	9246 0203 69
Lubricators 1/2" NPT US type claw coupling	1/2	32 – 300	1 - 5	15.4	9246 0203 67



For tech.details check next page

Id	Qty	Number	Name	Specifications
1	1	8900005007	LUBRICATOR 43 (1" NPT)	
2	1	9246020368	LUBRICATOR COMP 3/4 - 11	
2	1	9246020664	LUBRICATOR COMP 3/4 - 8 oz.	
2	1	9246020369	3/4 3.7 OZ IN-LINE LUBRICATOR	
3	1	9246020367	4 OZ OILER WITH 1/2 MALE CLAW	

Go to Discount-Equipment.com to order your parts

Go to Discount-Equipment.com to order your parts

	Hose connection	Air flow	Weight	Part number
	in	cfm	lb	
Water separator, 3/4" NPT, VAM 01 (US version)	3/4	105	3.96	8900 0050 01

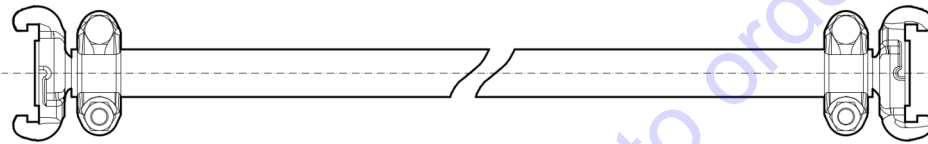


1

For tech. details check next page

Id	Qty	Number	Name	Specifications
1	1	8900005001	WATER SEPARATOR (3/4" NP	

Go to Discount-Equipment.com to order your parts



Metric

Inner diameter (mm)	Thickness (mm)	Maximum working pressure (bar)	Length of roll (m)	Weight (kg)	Part number
19	2.0	20	20	4.5	8900 0050 09
25	2.5	20	20	6.0	8900 0050 23

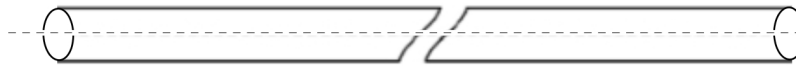
Imperial

Inner diameter (in.)	Thickness (in.)	Maximum working pressure (psi)	Length of roll (ft)	Weight (lb)	Part number
$\frac{3}{4}$	$\frac{5}{64}$	290	50	8.8	8900 0050 08
1	$\frac{3}{32}$	290	50	11.0	8900 0050 24

Pre-mounted universal hoses with claw couplings

Id	Qty	Number	Name	Specifications
-	1	8900005009	CP RED-X HOSE SET (20M)	
-	1	8900005023	CP RED-X UNIVERSAL HOSE	
-	1	8900005008	CP RED-X HOSE SET US 3/4	
-	1	8900005024	CP RED-X US UNIVERSAL HO	
-	1	3310103162	RED-X HOSE Ø3/4" L196FT W/ US COUPLING	
-	1	3310103163	RED-X HOSE Ø3/4" L328FT W/ US COUPLING	

Go to Discount-Equipment.com to order your parts



Metric

Inner diameter (mm)	Thickness (mm)	Maximum working pressure (bar)	Length of roll (m)	Weight (kg)	Part number
19	2.0	20	60	11	10 8900 0050 10
19	2.0	20	100	18	20 8900 0050 11
19	2.0	20	200	36	30 8900 0050 12
25	2.5	20	60	15	40 8900 0050 20
25	2.5	20	100	25	50 8900 0050 21
25	2.5	20	200	50	60 8900 0050 22

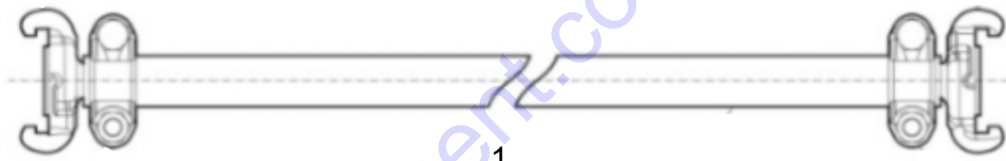
Imperial

Inner diameter (in.)	Thickness (in.)	Maximum working pressure (psi)	Length of roll (ft)	Weight (lb)	Part number
¾	¼	290	195	24.3	10 8900 0050 10
¾	¼	290	325	39.7	20 8900 0050 11
¾	¼	290	650	79.4	30 8900 0050 12
1	⅜	290	195	33.1	40 8900 0050 20
1	⅜	290	325	55.1	50 8900 0050 21
1	⅜	290	650	110.2	60 8900 0050 22

Id	Qty	Number	Name	Specifications
10	1	8900005010	CP RED-X AIR HOSE (60M)	
20	1	8900005011	CP RED-X AIR HOSE 3/4"	
30	1	8900005012	CP RED-X AIR HOSE 3/4" (
40	1	8900005020	CP RED-X AIR HOSE 1" (60	
50	1	8900005021	CP RED-X AIR HOSE 1" (10	
60	1	8900005022	RED-X flat hose ø 25 mm (200m)	

Go to Discount-Equipment.com to order your parts

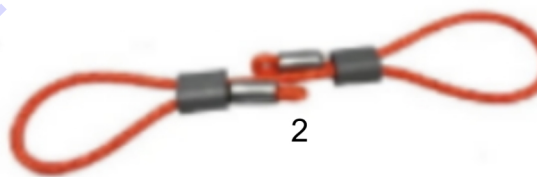
	Color	Inner diameter	Working pressure	Length of roll	Weight	Comments	Part number
		in	psi	ft	lb		
RUBBER HOSE							
Hose-Rubber 3/4" X 50' 250 psi	Red	3/4	250	50	19.8	With couplings	9238 9814 90
Hose-Rubber 3/4" X 100' 250 psi	Red	3/4	250	100	30	With couplings	9246 0207 31
Hose-Rubber 1" X 50' 200 psi	Red	1	200	50	24.2	With couplings	9753 2168 35
Hose-Rubber 1" X 100' 200 psi	Red	1	200	100	36	With couplings	9753 2168 36



For tech. details check next page

Id	Qty	Number	Name	Specifications
1	1	9238981490	HOSE-RUBBER 3/4"X50' 250	
1	1	9246020731	HOSE-RUBBER 3/4"X100'	
1	1	9753216835	HOSE-RUBBER 1"X 50'	
1	1	9753216836	HOSE-RUBBER 1" X 100'	

Go to Discount-Equipment.com to order your parts



Id	Qty	Number	Name	Specifications
1	1	3310101858	WHIP CHECK 1/2"-1.1/4",L=540mm	
1	1	3310101859	WHIP CHECK 1.1/2"-3",L=965mm	
1	1	3310101860	WHIP CHECK 3"-6",L=1150mm	
2	1	3310102546	WHIPCHECK PRO 1/2 - 4",L=500MM,BS=1000KG	

Go to Discount-Equipment.com to order your parts

Part no	Part no	Part no	Part no	Part no	Part no
	APP		CP		CP
	CP		CP		CP
	CP		CP		CP
	CP		APP		CP
	CP		CP		CP
	APP		CP		CP
	CP		CP	0700141632	WorkingtoolsRd19-He
0700201932	WorkingtoolsRd19-He	0700202232	WorkingtoolsRd19-He	0700202532	WorkingtoolsRd19-He
0700303232	WorkingtoolsRd19-He	0700303832	WorkingtoolsRd19-He	0701080800	WorkingtoolsRd19-He
0701100132	WorkingtoolsRd19-He	0701101000	WorkingtoolsRd19-He	0701121200	WorkingtoolsRd19-He
3083322600	WorkingtoolsRd19x95	3083322700	WorkingtoolsRd19x95	3083326100	WorkingtoolsRd19x95
3083326200	WorkingtoolsRd19x95	3083326300	WorkingtoolsRd47	3083326300	WorkingtoolsRd19-He
3083326400	WorkingtoolsRd47	3083326400	WorkingtoolsRd19-He	3083415000	Workingtools19x95_C
3083415010	Workingtools19x95_C	3083415100	Workingtools19x95_C	3083415110	Workingtools19x95_C
3083415120	Workingtools19x95_C	3083415200	Workingtools19x95_C	3083415210	Workingtools19x95_C
3083415220	Workingtools19x95_C	3083415300	Workingtools19x95_C	3083415310	Workingtools19x95_C
3083415320	Workingtools19x95_C	3083415400	Workingtools19x95_C	3083415410	Workingtools19x95_C
3083415420	Workingtools19x95_C	3083416000	WorkingtoolsRd19x95	3083416100	WorkingtoolsRd19x95
3083416200	WorkingtoolsRd19x95	3083416300	WorkingtoolsRd19x95	3083416500	WorkingtoolsRd19x95
3083417000	WorkingtoolsSq19x82	3083417010	WorkingtoolsSq19x82	3085021000	WorkingtoolsRd19-He
3310101858	Whipchec_AC	3310101859	Whipchec_AC	3310101860	Whipchec_AC
3310102488	APP	3310102489	APP	3310102489	APP
3310102546	Whipchec_AC	3310102628	CP	3310102628	CP
3310103157	APP	3310103158	APP	3310103162	CP
3310103163		3310160200	CP	3310160200	CP
3310160200	CP	8099020249		8099020251	
8900005001	Waterseperatorscp	8900005007	Lubricators_CP	8900005008	
8900005009		8900005010		8900005011	
8900005012		8900005020		8900005021	
8900005022		8900005023		8900005024	
9000005000	Hoseclampsus_CP	9000005000	Hoseclampsforrubbert	9000005100	Hoseclampsus_CP
9000005100	Hoseclampsforrubbert	9000005200	Hoseclampsus_CP	9000026000	Clawcouplingsmaximu
9000026100	Clawcouplingsmaximu	9000026200	Clawcouplingsmaximu	9000026300	Clawcouplingsmaximu
9000026400	Clawcouplingsmaximu	9000030000	Clawcouplingsmaximu	9000030100	Clawcouplingsmaximu
9000030200	Clawcouplingsmaximu	9000030300	Clawcouplingsmaximu	9000030400	Clawcouplingsmaximu
9000030500	Clawcouplingsmaximu	9000030600	Clawcouplingsmaximu	9000030601	Clawcouplingsmaximu
9000030700	Clawcouplingsmaximu	9000030800	Clawcouplingsmaximu	9000030900	Clawcouplingsmaximu
9000031000	Clawcouplingsmaximu	9000031100	Clawcouplingsmaximu	9000031200	Clawcouplingsmaximu
9000031300	Clawcouplingsmaximu	9000031400	Clawcouplingsmaximu	9001000301	Clawcouplingsmaximu
9001000303	Clawcouplingsmaximu	9001000305	Clawcouplingsmaximu	9001000307	Clawcouplingsmaximu
9001000310	Clawcouplingsmaximu	9001000313	Clawcouplingsmaximu	9001000506	Clawcouplingsus_CP
9001000510	Clawcouplingsus_CP	9001000510	Clawcouplingsforrubbe	9001000511	Clawcouplingsforrubbe
9001000511	Clawcouplingsus_CP	9001000512	Clawcouplingsus_CP	9001000512	Clawcouplingsforrubbe
9001000513	Clawcouplingsus_CP	9001000513	Clawcouplingsforrubbe	9238981490	Rubberhoseaccessori
9246020367	Lubricators_CP	9246020368	Lubricators_CP	9246020369	Lubricators_CP
9246020438	Couplingsforrubberho:	9246020439	Couplingsforrubberho:	9246020440	Couplingsforrubberho:
9246020441	Couplingsforrubberho:	9246020442	Couplingsforrubberho:	9246020443	Couplingsforrubberho:
9246020664	Lubricators_CP	9246020731	Rubberhoseaccessori	9753216835	Rubberhoseaccessori
9753216836	Rubberhoseaccessori	A043627	APP	A043627	CP
A043627	APP	A043627	CP	A043627	CP
A043627	APP	C077941	CP	C077941	APP
C077941	APP	C077941	CP	C077941	APP
C077941	CP	C102507	CP	F027853	CP
F027853	CP	F027853	APP	F027853	APP
F027853	APP	F027853	CP	F034066	APP
F034066	CP	F034066	CP	F034066	APP
F034249	CP	F034249	APP	F034249	APP
F034249	APP	F034249	CP	F034249	CP
F061888	CP	F061888	CP	F061888	APP
F061888	APP	F061888	CP	F061888	APP
F064695	CP	F064695	APP	F064695	APP
F064695	CP	F064696	CP	F064696	CP

Part no	Part no	Part no	Part no	Part no	Part no
F064696	APP	F064696	APP	F064697	CP
F064697	APP	F064697	APP	F064697	CP
F815343	CP	F815343	CP	F815343	CP
F816120	CP	F816122	APP	F816122	APP
F816122	CP	F816122	APP	F816122	CP
F816122	CP	F816123	APP	F816123	CP
F816123	APP	F816123	CP	F816123	CP
F816123	APP	F816162	CP	F816162	CP
F826683	CP	F826683	CP	F826683	CP
F826893	CP	F826893	CP	F826893	CP
F826972	CP	R051351	CP	R051352	CP
R051353	CP	R051355	CP	R051355	APP
R051356	APP	R051356	CP	R085596	APP
R085596	APP	R085596	CP	R085596	CP
R085596	APP	R085596	CP	R085599	APP
R085599	APP	R085599	CP	R085599	APP
R085599	CP	R085599	CP	R085886	CP
R085886	CP	R085886	CP	R085887	CP
R085887	APP	R085887	APP	R085887	CP
R085890	APP	R085890	APP	R085890	APP
R085890	CP	R085890	CP	R085890	CP
R085893	CP	R085893	APP	R085895	CP
R085895	APP	R085895	CP	R085895	APP
R085895	CP	R085895	APP	R085896	APP
R085896	APP	R085896	APP	R085896	CP
R085896	CP	R085896	CP	R085897	CP
R085897	APP	R085897	APP	R085897	CP
R085897	CP	R085897	APP	R085898	APP
R085898	APP	R085898	CP	R085898	CP
R085898	APP	R085898	CP	R085900	APP
R085900	CP	R085900	CP	R085900	APP
R085900	APP	R085900	CP	R086098	CP
R086098	APP	R086098	APP	R086098	APP
R086098	CP	R086098	CP	R086329	CP
R086329	APP	R086329	APP	R086329	CP
R086329	APP	R086329	CP	R086605	CP
R136592	CP	R136592	CP	R137586	Workingtools19x95_C
R278018	CP	S013073	APP	S013073	APP
S013073	CP	S013073	CP	S013073	APP
S013073	CP	Z3631412	CP	Z3631412	APP
Z8294412	CP	Z8294412	CP	Z8294412	APP
Z8366412	APP	Z8366412	CP	Z8368412	CP
Z8368412	APP	Z8368412	APP	Z8368412	CP
Z8375412	APP	Z8375412	APP	Z8375412	CP
Z8375412	APP	Z8375412	CP	Z8375412	CP
Z8767412	CP	Z8767412	CP	Z8767412	CP
Z8768412	APP	Z8768412	CP	Z8768412	CP
Z8768412	APP	Z8768412	APP	Z8768412	CP


www.discount-equipment.com

PARTS FINDER

**Search Website
by Part Number**



**Search Manual
Library For Parts
Manual & Lookup Part
Numbers – Purchase
or Request Quote**

Search Manuals

Enter your information to help us find the right parts manual for your machine.

* Brand:

* Model:

* Serial:

* Part Number:

SEARCH

**Can't Find Part or
Manual? Request Help
by Manufacturer,
Model & Description**

Parts Order Form

Please fill in the following information to help us find the right part for your machine.

Manufacturer:	<input type="text"/>
Model:	<input type="text"/>
Description:	<input type="text"/>
Part Number:	<input type="text"/>
Quantity:	<input type="text"/>
Notes:	<input type="text"/>

Discount-Equipment.com is your online resource for quality parts & equipment.

Florida: **561-964-4949** Outside Florida TOLL FREE: **877-690-3101**

Need parts?

Click on this link: <http://www.discount-equipment.com/category/5443-parts/> and choose one of the options to help get the right parts and equipment you are looking for. Please have the machine model and serial number available in order to help us get you the correct parts. If you don't find the part on the website or on one of the online manuals, please fill out the request form and one of our experienced staff members will get back to you with a quote for the right part that your machine needs.

We sell worldwide for the brands: Genie, Terex, JLG, MultiQuip, Mikasa, Essick, Whiteman, Mayco, Toro Stone, Diamond Products, Generac Magnum, Airman, Haulotte, Barreto, Power Blanket, Nifty Lift, Atlas Copco, Chicago Pneumatic, Allmand, Miller Curber, Skyjack, Lull, Skytrak, Tsurumi, Husquvarna Target, Stow, Wacker, Sakai, Mi-T-M, Sullair, Basic, Dynapac, MBW, Weber, Bartell, Bennar Newman, Haulotte, Ditch Runner, Menegotti, Morrison, Contec, Buddy, Crown, Edco, Wyco, Bomag, Laymor, EZ Trench, Bil-Jax, F.S. Curtis, Gehl Pavers, Heli, Honda, ICS/PowerGrit, IHI, Partner, Imer, Clipper, MMD, Koshin, Rice, CH&E, General Equipment, Amida, Coleman, NAC, Gradall, Square Shooter, Kent, Stanley, Tamco, Toku, Hatz, Kohler, Robin, Wisconsin, Northrock, Oztec, Toker TK, Rol-Air, APT, Wylie, Ingersoll Rand / Doosan, Innovatech, Con X, Ammann, Mecalac, Makinex, Smith Surface Prep, Small Line, Wanco, Yanmar