



**Discount
Equipment**

www.discount-equipment.com

Filter	9870051000,PUN 005650 - 933299 9870051000,PN2 240627 - 240721 9870051000,PN
Identity	9870051000
Specifications	Shank Size (Metric): Hex 25 x 108 mm, Product number: 8900002016, Division: Portable Air, Product group: Pneumatic handheld, Product type: Pneumatic surface rock drills, Product: CP 0032 A H25 X 108, Product Company: Chakan

PARTS FINDER

**Search Website
by Part Number**



**Search Manual
Library For Parts
Manual & Lookup Part
Numbers – Purchase
or Request Quote**

Search Manuals

Enter your information to help us find the right parts manual for your machine.

* Brand:

* Model:

* Serial:

* Part Number:

SEARCH

**Can't Find Part or
Manual? Request Help
by Manufacturer,
Model & Description**

Parts Order Form

Please fill in the following information to help us find the right part for your machine.

Manufacturer:	<input type="text"/>
Model:	<input type="text"/>
Description:	<input type="text"/>
Part Number:	<input type="text"/>
Quantity:	<input type="text"/>
Notes:	<input type="text"/>

Submit

Discount-Equipment.com is your online resource for quality parts & equipment.

Florida: **561-964-4949** Outside Florida TOLL FREE: **877-690-3101**

Need parts?

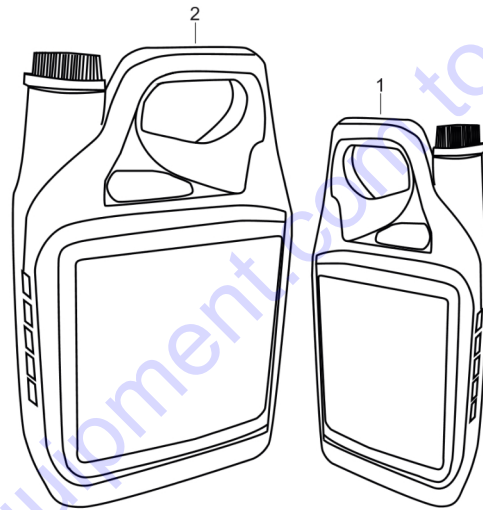
Click on this link: <http://www.discount-equipment.com/category/5443-parts/> and choose one of the options to help get the right parts and equipment you are looking for. Please have the machine model and serial number available in order to help us get you the correct parts. If you don't find the part on the website or on one of the online manuals, please fill out the request form and one of our experienced staff members will get back to you with a quote for the right part that your machine needs.

We sell worldwide for the brands: Genie, Terex, JLG, MultiQuip, Mikasa, Essick, Whiteman, Mayco, Toro Stone, Diamond Products, Generac Magnum, Airman, Haulotte, Barreto, Power Blanket, Nifty Lift, Atlas Copco, Chicago Pneumatic, Allmand, Miller Curber, Skyjack, Lull, Skytrak, Tsurumi, Husquvarna Target, Stow, Wacker, Sakai, Mi-T-M, Sullair, Basic, Dynapac, MBW, Weber, Bartell, Bennar Newman, Haulotte, Ditch Runner, Menegotti, Morrison, Contec, Buddy, Crown, Edco, Wyco, Bomag, Laymor, EZ Trench, Bil-Jax, F.S. Curtis, Gehl Pavers, Heli, Honda, ICS/PowerGrit, IHI, Partner, Imer, Clipper, MMD, Koshin, Rice, CH&E, General Equipment, Amida, Coleman, NAC, Gradall, Square Shooter, Kent, Stanley, Tamco, Toku, Hatz, Kohler, Robin, Wisconsin, Northrock, Oztec, Toker TK, Rol-Air, APT, Wylie, Ingersoll Rand / Doosan, Innovatech, Con X, Ammann, Mecalac, Makinex, Smith Surface Prep, Small Line, Wanco, Yanmar

CP Airolene plus rock drill oil	Rockdrilloil_CP
Genoil pneumatic (mineral)	APP
Integral drill steel 25 mm (1") × 108 mm (4¼")	drillbits25X108CP
Shank End Rods R25 (1") Hex. 25 x 108 (7/8" X 4¼" in)	ShankendrodsR25CP
CP 0032 A 1" x 4¼"	
Water conversion kit	rdr_cp_cp_01724
Recommended Spare Parts list - (CP0032A-22x108MM)	APP
Claw couplings for maximum airflow (forged)	Clawcouplingsmaximumairflow
Hose Clamps for US type forged Claw Couplings	Hoseclampsus_CP
Claw couplings, US type (casted)	Clawcouplingsus_CP
Hose clamps for rubber hoses	Hoseclampsforrubberhoses_CP
Claw couplings for rubber hoses	Clawcouplingsforrubberhoses_CP
Couplings for rubber hoses	Couplingsforrubberhoses_CP
Lubricators, fitted with claw couplings	Lubricators_CP
Water seperators, fitted with claw couplings	Waterseperatorscp
Hose rolls	
Rubber hose & accessories	RubberhoseaccessoriesCP
Pre-mounted universal hoses with claw couplings	
Whip Check	Whipchec_AC

	Oil Volume		Part Number
	l	US gal	
CP AIROLENE PLUS TOOL OIL			
5 Liter Container	5.0	1.32	8099 0202 49
4 x 5 Liter Container	20.0	5.28	8099 0202 51

Go to Discount-Equipment.com to order your parts

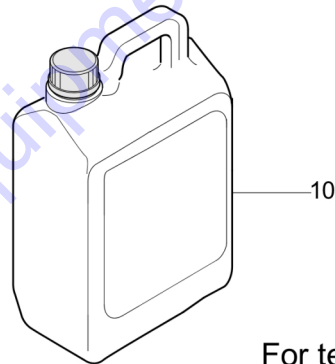
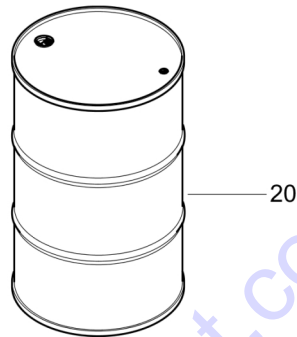


For tech. details check next page

Id	Qty	Number	Name	Specifications
1	1	8099020249	AIROLENE PLUS TOOL OIL - 5L	
2	1	8099020251	AIROLENE PLUS TOOL OIL - 4X5L	

Go to Discount-Equipment.com to order your parts

Description	Oil Volume		Weight		Parts number
	l	Gal	Kg		
5L Can	5	1.1	5.8	10	3310103157
210 Drum	210	55.4	231	20	3310103158

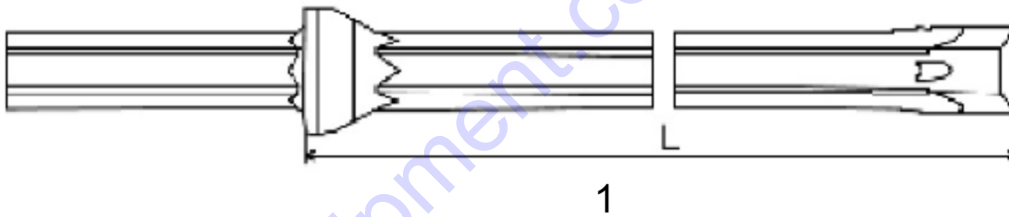


For tech. details check next page

Id	Qty	Number	Name	Specifications
10	1	3310103157	GENOIL PNEUMATIC , 5L	
20	1	3310103158	GENOIL PNEUMATIC , 210L DRUM	

Go to Discount-Equipment.com to order your parts

Description	Weight	Length (L)	Bit diameter	Part number
	lbs	ft/in	in	
Integral Hex 7/8" X 4¼" in	5.9	1'11½"	1½	3310 1020 06
Integral Hex 7/8" X 4¼" in	7.5	2'7½"	1⅞	3310 1020 07
Integral Hex 7/8" X 4¼" in	10.8	3'11¼"	1⅞	3310 1020 08
Integral Hex 7/8" X 4¼" in	13.4	5'3"	1⅞	3310 1020 09
Integral Hex 7/8" X 4¼" in	15.2	5'10⅞"	1⅞	3310 1020 10
Integral Hex 7/8" X 4¼" in	19.5	7'10½"	1½	3310 1020 11
Integral Hex 7/8" X 4¼" in	4.3	1'3¾"	1½	3310 1020 12
Integral Hex 7/8" X 4¼" in	4.3	1'3¾"	1⅞	3310 1020 13
Integral Hex 7/8" X 4¼" in	6.0	1'11½"	1½	3310 1020 14
Integral Hex 7/8" X 4¼" in	7.5	2'7½"	1⅞	3310 1020 15
Integral Hex 7/8" X 4¼" in	7.5	2'7½"	1⅞	3310 1020 16
Integral Hex 7/8" X 4¼" in	10.5	3'11¼"	1⅞	3310 1020 17
Integral Hex 7/8" X 4¼" in	13.5	5'3"	1⅞	3310 1020 18
Integral Hex 7/8" X 4¼" in	19.8	7'10½"	1¼	3310 1020 19
Integral Hex 7/8" X 4¼" in	26.3	10'6"	1¼	3310 1020 20
Integral Hex 7/8" X 4¼" in	25.8	10'6"	1⅞	3310 1020 21



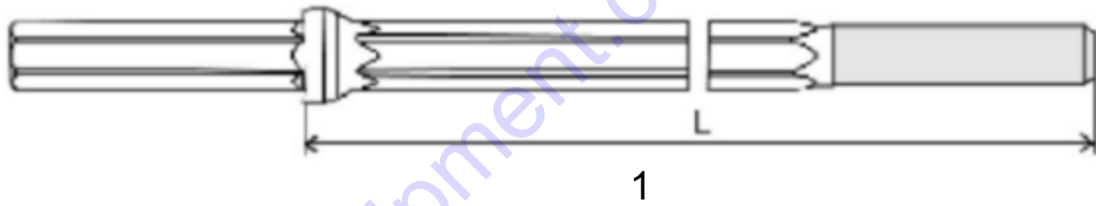
For Tech. details check next page

Id	Qty	Number	Name	Specifications
1	1	3310102006	Integral H25X108, L600 MM, ø41 MM	
1	1	3310102007	Integral H25X108, L800 MM, ø40 MM	
1	1	3310102008	Integral H25X108, L1200 MM, ø40 MM	
1	1	3310102009	Integral H25X108, L1600 MM, ø39 MM	
1	1	3310102010	Integral H25X108, L1800 MM, ø39 MM	
1	1	3310102011	Integral H25X108, L2400 MM, ø38 MM	
1	1	3310102012	Integral H25X108, L400 MM, ø35 MM	
1	1	3310102013	Integral H25X108, L400 MM, ø34 MM	
1	1	3310102014	Integral H25X108, L600 MM, ø35 MM	
1	1	3310102015	Integral H25X108, L800 MM, ø34 MM	
1	1	3310102016	Integral H25X108, L800 MM, ø33 MM	
1	1	3310102017	Integral H25X108, L1200 MM, ø34 MM	
1	1	3310102018	Integral H25X108, L1600 MM, ø33 MM	
1	1	3310102019	Integral H25X108, L2400 MM, ø32 MM	
1	1	3310102020	Integral H25X108, L3200 MM, ø32 MM	
1	1	3310102021	Integral H25X108, L3200 MM, ø31 MM	

Go to Discount-Equipment.com to order your parts

Shank End Rod R25 (1"), Hex 7/8" X 4¼" in	3.3	10"	1	3310 1022 47
Shank End Rod R25 (1"), Hex 7/8" X 4¼" in	6.8	2'	1	3310 1022 48
Shank End Rod R25 (1"), Hex 7/8" X 4¼" in	11.2	3'11¼"	1	3310 1022 49
Shank End Rod R25 (1"), Hex 7/8" X 4¼" in	17.0	6'	1	3310 1022 50
Shank End Rod R25 (1"), Hex 7/8" X 4¼" in	20.9	8'	1	3310 1022 51

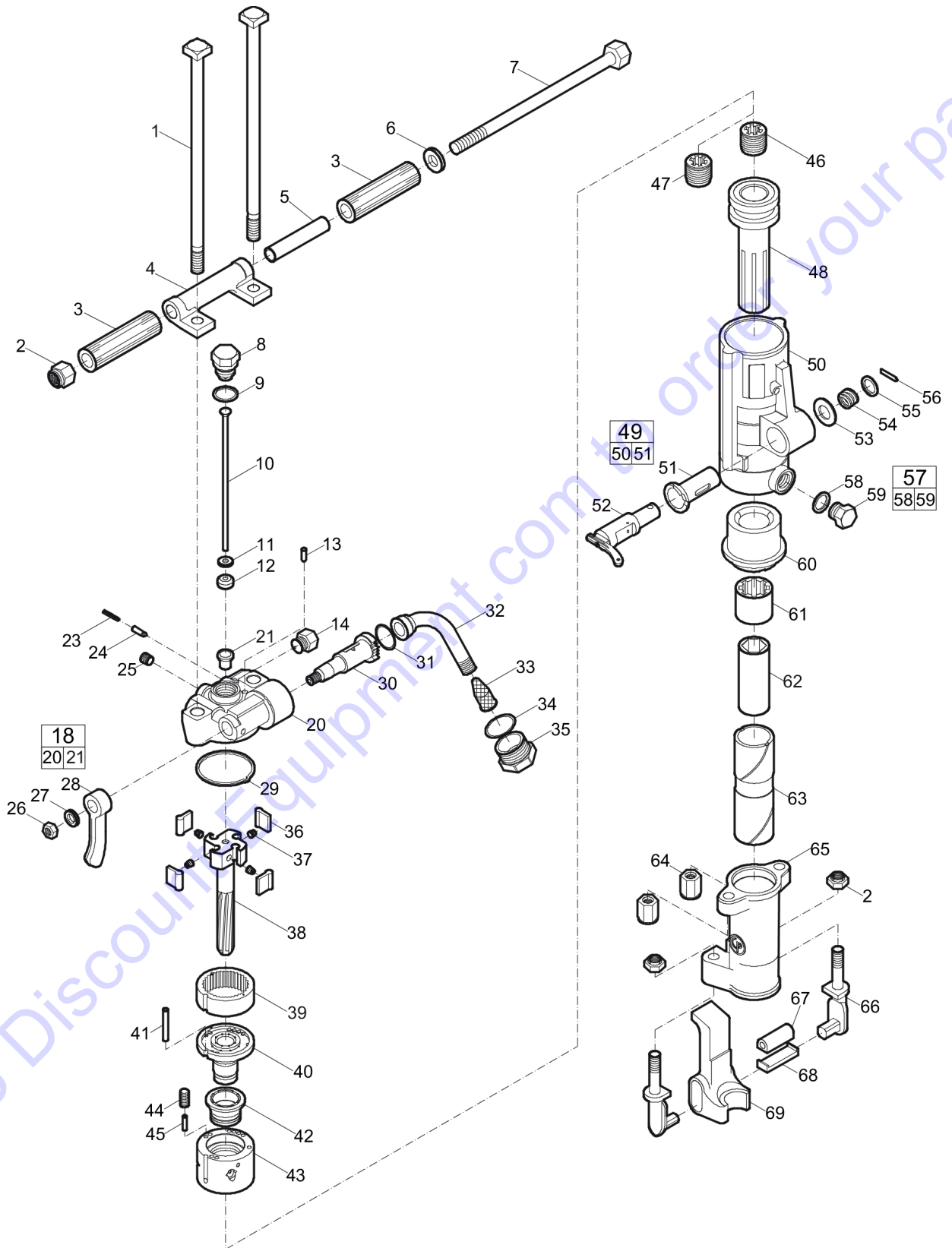
Go to Discount-Equipment.com to order your parts



For tech. details check next page

Id	Qty	Number	Name	Specifications
1	1	3310102247	Shank End Rod R25 (1"), H25X108, L255 MM	
1	1	3310102248	Shank End Rod R25 (1"), H25X108, L610 MM	
1	1	3310102249	Shank End Rod R25 (1"), H25X108,L1200 MM	
1	1	3310102250	Shank End Rod R25 (1"), H25X108,L1830 MM	
1	1	3310102251	Shank End Rod R25 (1"), H25X108, L2435 MM	

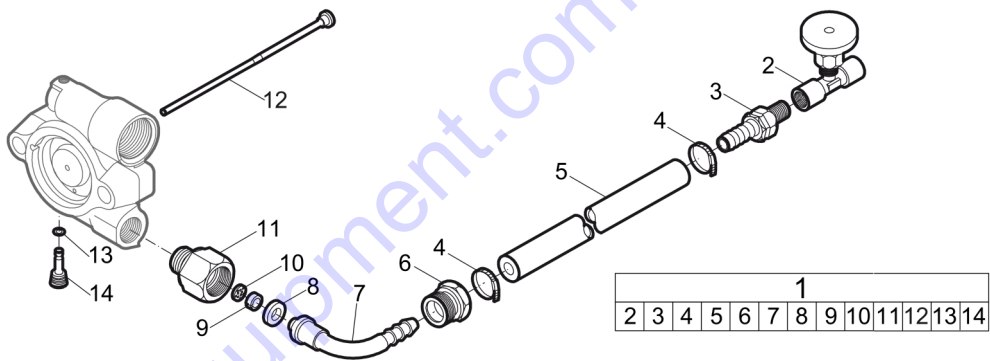
Go to Discount-Equipment.com to order your parts



Id	Qty	Number	Name	Specifications
1	2	R086623	THRU BOLT	
2	3	R005742	ELASTC STOP NUT	
3	2	R075419	HANDLE RUBBER	
4	1	R086608	Bracket - Handle	
5	1	R076172	LONG HDLE LINER	
6	1	R000142	WASHER	
7	1	R076173	Bolt - Handle	
8	1	R076793	PLUG-WATER TUBE	
9	2	R000537	W TUBE GASKET	
10	1	R077184	Tube - Air	
11	1	R075449	Washer - Air tube	
12	1	R075099	WATER TUBE-RUBBER	
13	1	R075802	PLUNGER PIN	
14	1	R076372	WAT INLET PLUG	
18	1	3310102632	BACK HEAD ASSY	
20	1		Backhead	
21	1	R137738	BUSHING	
23	1	R085671	Spring - Valve plunger	
24	1	R086627	Plunger - Throttle valve	
25	1	C068799	Plug - pipe, Ø 1/4 in., Ø 6.5 mm	
26	1	P002149	Nut - Hexagon	
27	1	C036717	LOCKWASHER	
28	1	R079124	TV HDLE W PIN	
29	1	H0979432	GASKET	
30	1	R086628	THROTTLE VALVE	
31	1	P103521	O-RING-128	
32	1	R075265	Swivel - Air inlet	
33	1	R005584	Screen - Air inlet	
34	1	R110317	O RING	
35	1	R000530	Air swivel nut	
36	4	R075267	Pawl	
37	4	R086654	Spring - Pawl	
38	1	R086622	BAR-RIFLE	
39	1	R076194	Ring - Ratchet	
40	1	R098085	VAL GUIDE BSHG	
41	1	R075772	DOWEL PIN	
42	1	R076263	REGULATING VALVE	
43	1	R076264	VALVE CASE	
44	1	R098084	Plug - Oil regulating	
45	1	R085625	Stem - Oil regulating	
46	1	R075839	RIFLE BAR NUT	
47	1	R075826	Nut - Rifle bar	
48	1	R000088	PISTON	
49	1	3310102637	Cylinder, complete	
50	1		Cylinder	
51	1	R086611	EX VALVE BSHG	
52	1	R086612	Valve - Blower	
53	1	R075777	Washer - Blower valve	

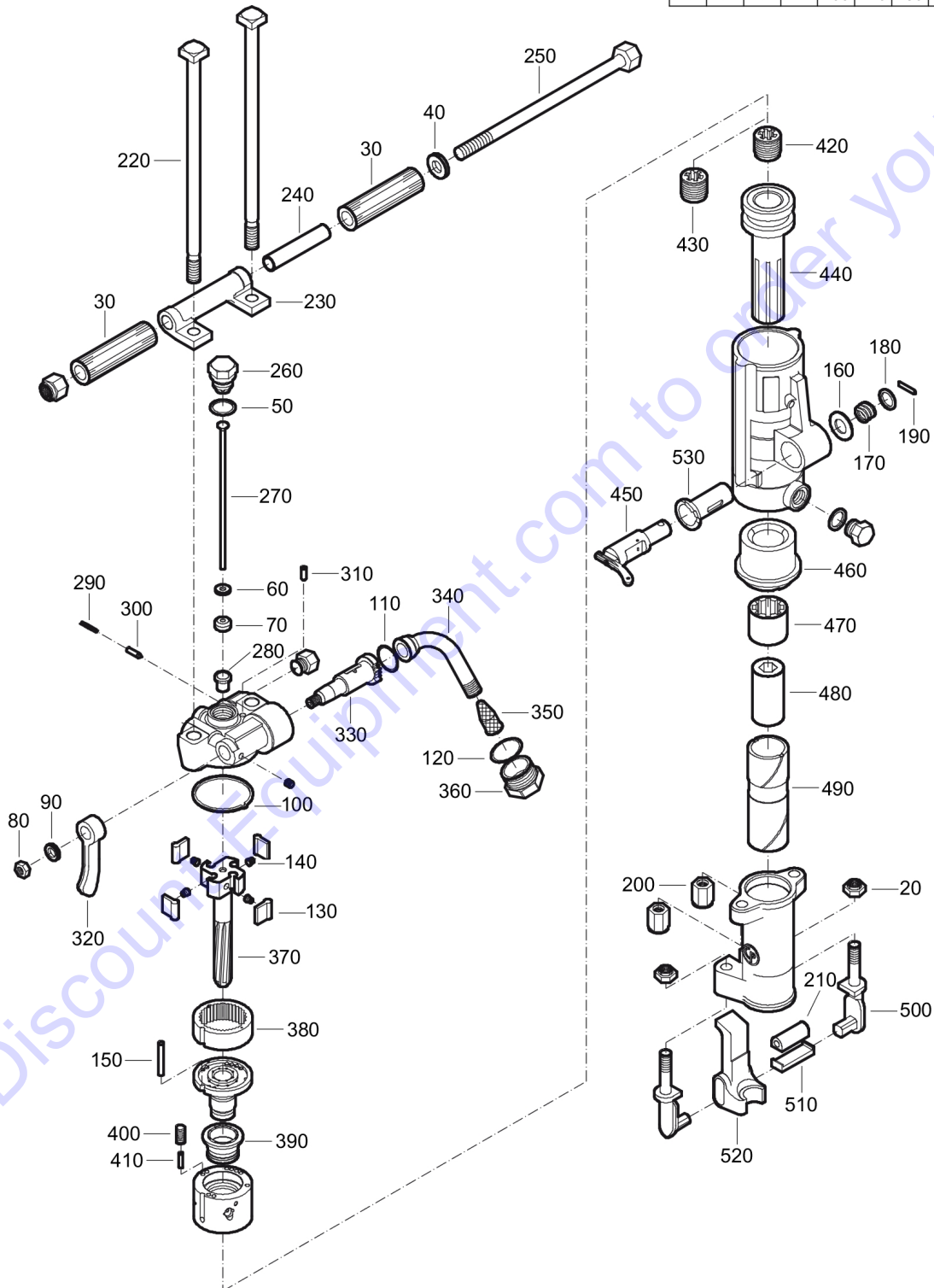
Id	Qty	Number	Name	Specifications
54	1	R075778	SPRING	
55	1	R075780	Washer - Valve spring	
56	1	R076266	Pin - Spring	
57	1	R085611	OIL PLUG	
58	1	R091176	OIL PLUG GASKET	
59	1		Oil plug	
60	1	R042161	CYL BUSHG ASSY	
61	1	R086733	Nut - Chuck rotation	
62	1	R093890	Chuck, 1" x 41/4" (25 x 108 mm)	
63	1	R041324	Sleeve - Chuck, 7/8" x 41/4" (22 x 108 mm)	
64	2	R085756	SIDE ROD NUT	
65	1	R041323	FRONTHEAD	
66	2	R093896	Tunnion - Retainer	
67	1	R093897	Buffer - Retainer	
68	1	R093898	Retainer - Latch shoe	
69	1	R093895	RETAINER LATCH	

Go to Discount-Equipment.com to order your parts



Id	Qty	Number	Name	Specifications
2	1	--	Paroil E	
2	1		Valve - Water	
3	1	--	Paroil E	
3	1		Nipple - Hose	
4	2	--	Paroil E	
4	2		Clamp - Punch lock	
5	1	--	Paroil E	
5	1		Hose, 1/2" x 12"	
6	1	--	Paroil E	
6	1		Nut - Water inlet swivel	
7	1		Swivel - Water inlet	
7	1	--	Paroil E	
8	1	--	Paroil E	
8	1		Gasket - Swivel	
9	1	--	Paroil E	
9	1		Retainer - Water strainer	
10	1	--	Paroil E	
10	1		Strainer - Water	
11	1	--	Paroil E	
11	1		Spud - Water inlet	
12	1	R092420	TUBE-WATER	
13	1	C087316	O-ring	
14	1	R085627	PLUG	

10										
20	30	40	50	60	70	80	90	100	110	
120	130	140	150	160	170	180	190	200	210	

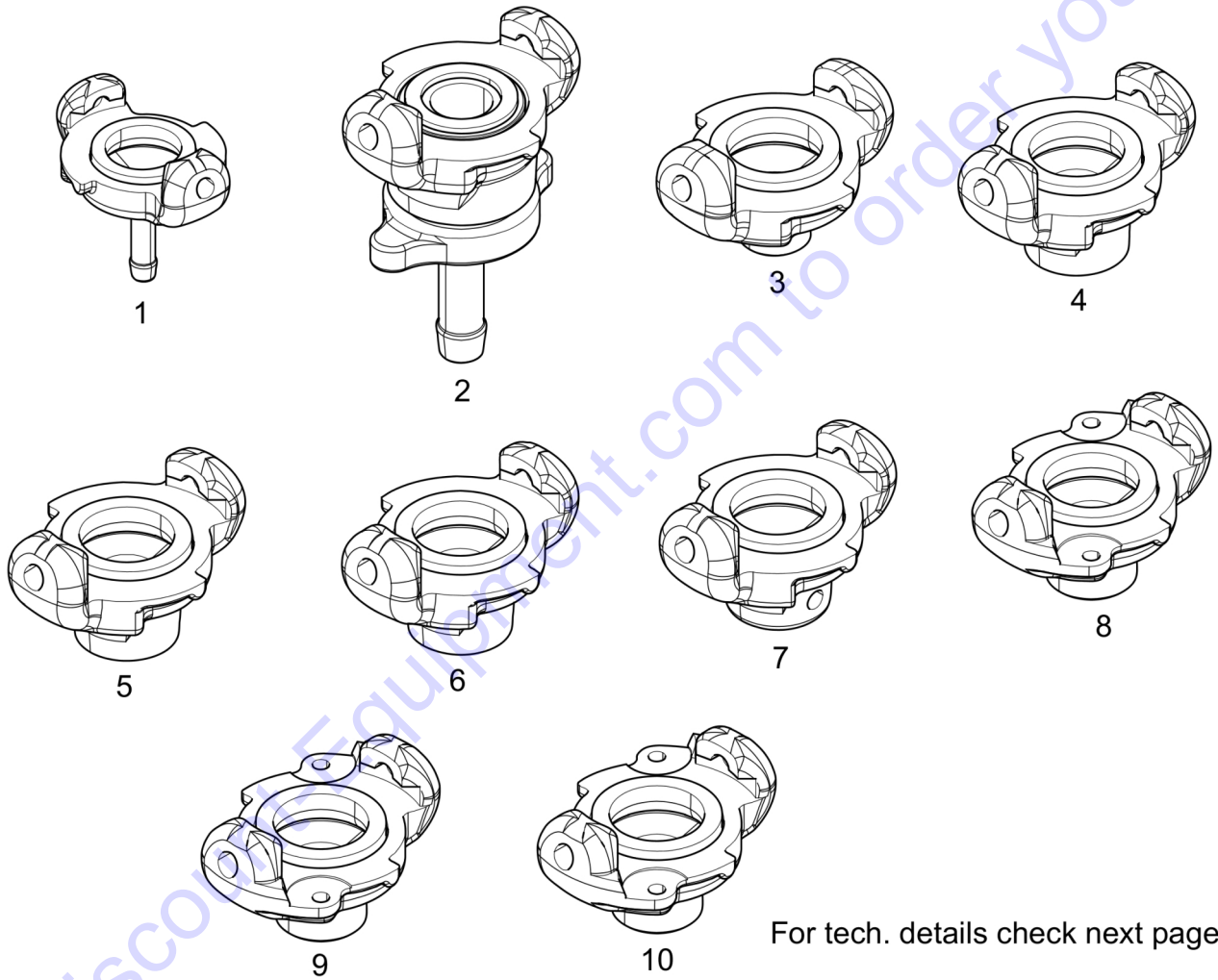


Id	Qty	Number	Name	Specifications
10	1	3310102494	SERVICE KIT - CP 0032 A & AS	
20	1	R005742	ELASTC STOP NUT	
30	2	R075419	HANDLE RUBBER	
40	1	R000142	WASHER	
50	2	R000537	W TUBE GASKET	
60	1	R075449	Washer - Air tube	
70	1	R075099	WATER TUBE-RUBBER	
80	1	P002149	Nut - Hexagon	
90	1	C036717	LOCKWASHER	
100	1	H0979432	GASKET	
110	1	P103521	O-RING-128	
120	1	R110317	O RING	
130	4	R075267	Pawl	
140	4	R086654	Spring - Pawl	
150	1	R075772	DOWEL PIN	
160	1	R075777	Washer - Blower valve	
170	1	R075778	SPRING	
180	1	R075780	Washer - Valve spring	
190	1	R076266	Pin - Spring	
200	2	R085756	SIDE ROD NUT	
210	1	R093897	Buffer - Retainer	
-			Recommended Parts list	
220	1	R086623	THRU BOLT	
230	1	R086608	Bracket - Handle	
240	1	R076172	LONG HDLE LINER	
250	1	R076173	Bolt - Handle	
260	1	R076793	PLUG-WATER TUBE	
270	1	R077184	Tube - Air	
280	1	R137738	BUSHING	
290	1	R085671	Spring - Valve plunger	
300	1	R086627	Plunger - Throttle valve	
310	1	R075802	PLUNGER PIN	
320	1	R079124	TV HDLE W PIN	
330	1	R086628	THROTTLE VALVE	
340	1	R075265	Swivel - Air inlet	
350	1	R005584	Screen - Air inlet	
360	1	R000530	Air swivel nut	
370	1	R086622	BAR-RIFLE	
380	1	R076194	Ring - Ratchet	
390	1	R076263	REGULATING VALVE	
400	1	R098084	Plug - Oil regulating	
410	1	R085625	Stem - Oil regulating	
420	1	R075839	RIFLE BAR NUT	
430	1	R075826	Nut - Rifle bar	
440	1	R000088	PISTON	
450	1	R086612	Valve - Blower	
460	1	R042161	CYL BUSHG ASSY	
470	1	R086733	Nut - Chuck rotation	

Id	Qty	Number	Name	Specifications
480	1	R093891	BUSHING-CHUCK	
490	1	R041324	Sleeve - Chuck, 7/8" x 41/4" (22 x 108 mm)	
500	2	R093896	Tunnion - Retainer	
510	1	R093898	Retainer - Latch shoe	
520	1	R093913	RETAINER LATCH	
530	1	R086611	EX VALVE BSHG	

Go to Discount-Equipment.com to order your parts

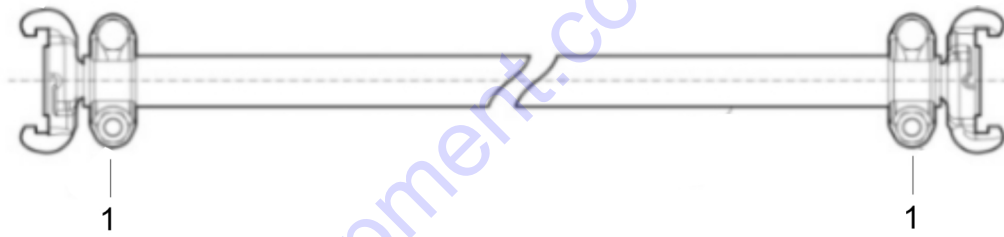
Connection	Connection thread	Bore		Weight	Part number
		mm	in	kg ¹⁾	
External thread	G 3/8 A	11.3	7/16	0.11	3 9000 0300 00
	G 1/2 A	14.8	37/64	0.12	3 9000 0301 00
	G 3/4 A	19.0	3/4	0.13	3 9000 0302 00
	G1A	25.5	1	0.13	3 9000 0303 00
Internal thread Internal thread	G 3/8	15.0	19/32	0.12	4 9000 0304 00
	G 1/2	18.6	3/4	0.13	4 9000 0305 00
	G 3/4	24.2	1	0.14	4 9000 0306 00
Internal thread, with strainer	G 3/4	24.2	1	0.14	5 9000 0306 01
Internal thread	G1	30.3	1 3/16	0.15	6 9000 0307 00
Cover	-	-	-	0.18	7 9000 0314 00
Forged claw coupling	G1/2A (M-AUS)	14.8	37/64	0.12	8 9001000301
	G1A (M-AUS)	25.5	1	0.13	8 9001000303
	G1/2 (F-AUS)	18.6	3/4	0.13	8 9001000305
	G1 (F-AUS)	30.3	1 3/16	0.15	8 9001000307
Forged claw coupling 10.0 mm	(HN-AUS)	-	-	-	9 9001000310
Forged claw coupling 25.0 mm	(HN-AUS)	-	-	-	10 9001000313



Connection	Hose inner diameter		Bore		Weight kg ¹⁾	Part number
	mm	in	mm	in		
Hose nipple	6.3	1/4	5.0	3/16	0.11	1 9000 0308 00
	10.0	3/8	8.0	5/16	0.13	1 9000 0309 00
	12.5	1/2	10.5	13/32	0.14	1 9000 0310 00
	16.0	5/8	13.5	17/32	0.14	1 9000 0311 00
	20.0	3/4	17.2	11/16	0.15	1 9000 0312 00
	25.0	1	22.0	7/8	0.17	1 9000 0313 00
Hose nipple with lock nut	10.0	3/8	8.0	5/16	0.29	2 9000 0260 00
	12.5	1/2	10.5	13/32	0.29	2 9000 0261 00
	16.0	5/8	13.5	17/32	0.29	2 9000 0262 00
	20.0	3/4	17.2	11/16	0.32	2 9000 0263 00
	25.0	1	22.0	7/8	0.32	2 9000 0264 00

Id	Qty	Number	Name	Specifications
1	1	9000030800	CLAW COUPLING H06	
1	1	9000030900	CLAW COUPLING H10	
1	1	9000031000	FORGED CLAW COUPLING 12.5MM (HN)	
1	1	9000031100	CLAW COUPLING	
1	1	9000031200	COUPLING	
1	1	9000031300	CLAW COUPLING	
2	1	9000026000	CLAW COUPLING LNH10	
2	1	9000026100	FORGED CLAW COUPLING 12.5 MM (HN-LN)	
2	1	9000026200	CLAW COUPLING LNH16	
2	1	9000026300	NIPPLE -CLAW COUPLING HOSE 3/4	
2	1	9000026400	CLAW. COUPLING	
3	1	9000030000	RACCORD A GRIFFE M-10	
3	1	9000030100	CLAW COUPLING	
3	1	9000030200	QUICK COUPLING - COMPLETE	
3	1	9000030300	PIPE COUPL.	
4	1	9000030400	CLAW COUPLING F10	
4	1	9000030500	coupling	
4	1	9000030600	COUPLING	
5	1	9000030601	CLAW COUPLING	
6	1	9000030700	PIPE COUPLING	
7	1	9000031400	COUPLING	
8	1	9001000301	COUPLING	
8	1	9001000303	COUPLING	
8	1	9001000305	COUPLING	
8	1	9001000307	COUPLING	
9	1	9001000310	COUPLING	
10	1	9001000313	COUPLING	

Description	Hose dimension, external diameter	Round rubber, hose dimension, internal diameter	Flat hose dimension, internal diameter	Part number
	in	in	in	
Two piece hose clamp	$\frac{7}{8} - 1 \frac{1}{8}$	$\frac{1}{2}$	$\frac{3}{4}$	9000 0050 00
Two piece hose clamp	$1 \frac{1}{8} - 1 \frac{3}{8}$	$\frac{3}{4}$	1	9000 0051 00
Two piece hose clamp	$1 \frac{3}{8} - 1 \frac{9}{16}$	1	-	9000 0052 00



For tech. details check next page

Id	Qty	Number	Name	Specifications
1	2	9000005000	HOSE CLAMP	
1	2	9000005100	HOSE CLAMP	
1	2	9000005200	HOSECLAMP	

Go to Discount-Equipment.com to order your parts

Connection	Hose inner diameter	Bore	Weight	Part number
	in	in	lbs	
Hose nipple	$\frac{3}{8}$	$\frac{5}{64}$	0.352	9001 0005 11
Hose nipple	$\frac{1}{2}$	$\frac{23}{64}$	0.396	9001 0005 10
Hose nipple	$\frac{3}{4}$	$\frac{9}{16}$	0.528	9001 0005 12
Hose nipple	1	$\frac{3}{4}$	0.638	9001 0005 13
Internal thread	$\frac{3}{4}$ " NPT	$\frac{3}{4}$	0.440	9001 0005 06



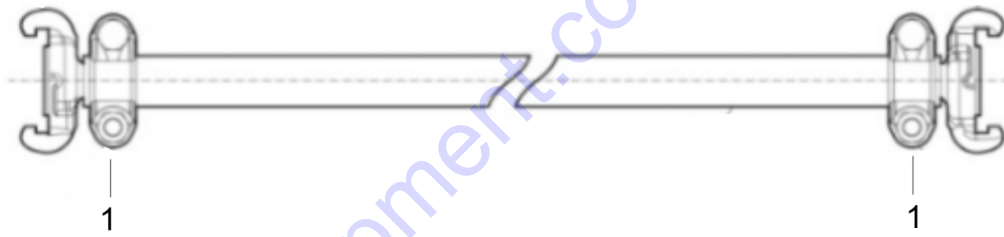
For tech. details check next page

Id	Qty	Number	Name	Specifications
1	1	9001000511	COUPLING	
1	1	9001000510	COUPLING	
1	1	9001000512	COUPLING	
1	1	9001000513	COUPLING	
2	1	9001000506	COUPLING	

Go to Discount-Equipment.com to order your parts

Description	Part number
Hose Clamp - 1/2" Rubber & 3/4" Redex Hose 2-Bolts	1 9000 0050 00
Hose Clamp - 3/4" Rubber & 1" Redex Hose 2-Bolts	1 9000 0051 00

Go to Discount-Equipment.com to order your parts



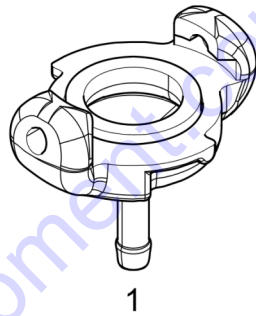
For tech. details check next page

Id	Qty	Number	Name	Specifications
1	1	9000005000	HOSE CLAMP	
1	1	9000005100	HOSE CLAMP	

Go to Discount-Equipment.com to order your parts

Description	Hose Inner diameter	Weight	Part number
	in	lbs	
Claw Coupling 3/8" Hose Barb	3/8	0.352	1 9001 0005 11
Claw Coupling 1/2" Hose Barb	1/2	0.3	1 9001 0005 10
Claw Coupling 3/4" Hose Barb	3/4	0.45	1 9001 0005 12
Claw Coupling 1" Hose Barb	1	0.638	1 9001 0005 13

Go to Discount-Equipment.com to order your parts

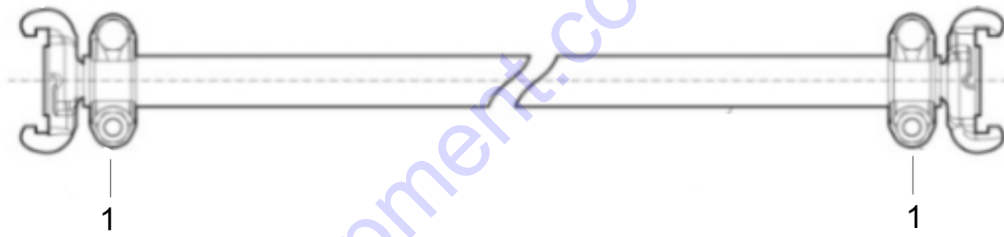


For tech. details check next page

Id	Qty	Number	Name	Specifications
1	1	9001000511	COUPLING	
1	1	9001000510	COUPLING	
1	1	9001000512	COUPLING	
1	1	9001000513	COUPLING	

Go to Discount-Equipment.com to order your parts

Description	Hose Inner diameter	Comments	Part number
	in		
Coupling - 1/2" Universal	½	Female	1 9246 0204 38
Coupling - 3/4" Universal	¾	Female	1 9246 0204 39
Coupling - 1" Universal	1	Female	1 9246 0204 40
Coupling - 1/2" Universal	½	Male	1 9246 0204 41
Coupling - 3/4" Universal	¾	Male	1 9246 0204 42
Coupling - 1" Universal	1	Male	1 9246 0204 43

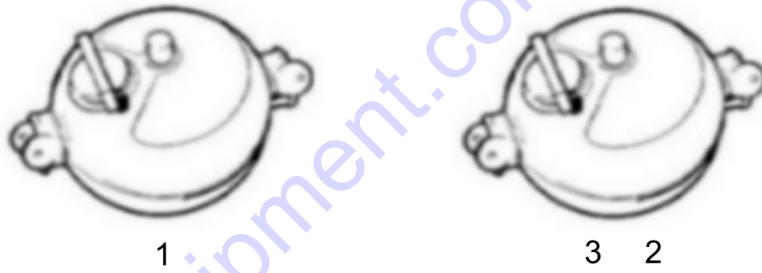


For tech. details check next page

Id	Qty	Number	Name	Specifications
1	1	9246020438	COUPLING 1/2" UNIVERSAL/HEMBRA	
1	1	9246020439	3/4 FEMALE UNIVERSAL	
1	1	9246020440	COUPLING-1" UNIVERSAL FEMALE	
1	1	9246020441	COUPLING-1/2" UNIVERSAL MALE	
1	1	9246020442	COUPLING-3/4" UNIVERSAL MALE	
1	1	9246020443	COUPLING-1" UNIVERSAL MALE	

Go to Discount-Equipment.com to order your parts

	Hose internal diameter	Air flow	Volume	Weight	Part number
	in	cfm	oz	lb	European type
LUBRICATORS					
Lubricators 43, 1" NPT US type claw coupling (premounted)	1	32 – 300	43	15.4	8900 0050 07
Lubricators 3/4" NPT US type claw coupling	3/4	32 – 300	11	15.4	9246 0203 68
Lubricators 3/4" NPT US type claw coupling	3/4	32 – 300	8	15.4	9246 0206 64
Lubricators 3/4" NPT US type claw coupling	3/4	32 – 300	5	15.4	9246 0203 69
Lubricators 1/2" NPT US type claw coupling	1/2	32 – 300	1 - 5	15.4	9246 0203 67



For tech.details check next page

Id	Qty	Number	Name	Specifications
1	1	8900005007	LUBRICATOR 43 (1" NPT)	
2	1	9246020368	LUBRICATOR COMP 3/4 - 11	
2	1	9246020664	LUBRICATOR COMP 3/4 - 8 oz.	
2	1	9246020369	3/4 3.7 OZ IN-LINE LUBRICATOR	
3	1	9246020367	4 OZ OILER WITH 1/2 MALE CLAW	

Go to Discount-Equipment.com to order your parts

Go to Discount-Equipment.com to order your parts

	Hose connection	Air flow	Weight	Part number
	in	cfm	lb	
Water separator, 3/4" NPT, VAM 01 (US version)	3/4	105	3.96	8900 0050 01



1

For tech. details check next page

Id	Qty	Number	Name	Specifications
1	1	8900005001	WATER SEPARATOR (3/4" NP	

Go to Discount-Equipment.com to order your parts



Metric

Inner diameter (mm)	Thickness (mm)	Maximum working pressure (bar)	Length of roll (m)	Weight (kg)	Part number
19	2.0	20	60	11	10 8900 0050 10
19	2.0	20	100	18	20 8900 0050 11
19	2.0	20	200	36	30 8900 0050 12
25	2.5	20	60	15	40 8900 0050 20
25	2.5	20	100	25	50 8900 0050 21
25	2.5	20	200	50	60 8900 0050 22

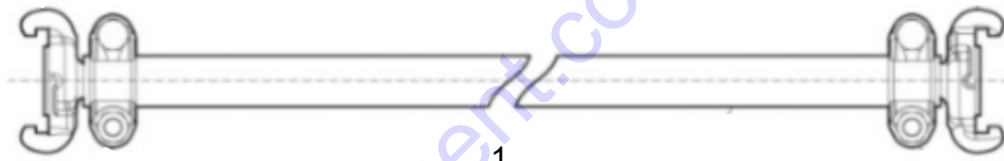
Imperial

Inner diameter (in.)	Thickness (in.)	Maximum working pressure (psi)	Length of roll (ft)	Weight (lb)	Part number
¾	¼	290	195	24.3	10 8900 0050 10
¾	¼	290	325	39.7	20 8900 0050 11
¾	¼	290	650	79.4	30 8900 0050 12
1	⅜	290	195	33.1	40 8900 0050 20
1	⅜	290	325	55.1	50 8900 0050 21
1	⅜	290	650	110.2	60 8900 0050 22

Id	Qty	Number	Name	Specifications
10	1	8900005010	CP RED-X AIR HOSE (60M)	
20	1	8900005011	CP RED-X AIR HOSE 3/4"	
30	1	8900005012	CP RED-X AIR HOSE 3/4" (
40	1	8900005020	CP RED-X AIR HOSE 1" (60	
50	1	8900005021	CP RED-X AIR HOSE 1" (10	
60	1	8900005022	RED-X flat hose ø 25 mm (200m)	

Go to Discount-Equipment.com to order your parts

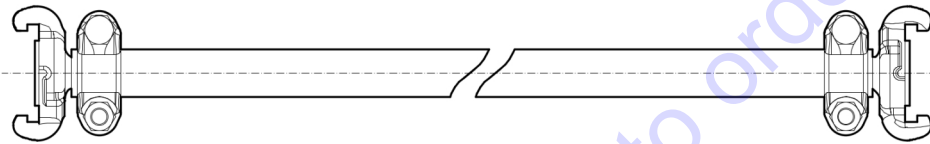
	Color	Inner diameter	Working pressure	Length of roll	Weight	Comments	Part number
		in	psi	ft	lb		
RUBBER HOSE							
Hose-Rubber 3/4" X 50' 250 psi	Red	3/4	250	50	19.8	With couplings	9238 9814 90
Hose-Rubber 3/4" X 100' 250 psi	Red	3/4	250	100	30	With couplings	9246 0207 31
Hose-Rubber 1" X 50' 200 psi	Red	1	200	50	24.2	With couplings	9753 2168 35
Hose-Rubber 1" X 100' 200 psi	Red	1	200	100	36	With couplings	9753 2168 36



For tech. details check next page

Id	Qty	Number	Name	Specifications
1	1	9238981490	HOSE-RUBBER 3/4"X50'	250
1	1	9246020731	HOSE-RUBBER 3/4"X100'	
1	1	9753216835	HOSE-RUBBER 1"X 50'	
1	1	9753216836	HOSE-RUBBER 1" X 100'	

Go to Discount-Equipment.com to order your parts



Metric

Inner diameter (mm)	Thickness (mm)	Maximum working pressure (bar)	Length of roll (m)	Weight (kg)	Part number
19	2.0	20	20	4.5	8900 0050 09
25	2.5	20	20	6.0	8900 0050 23

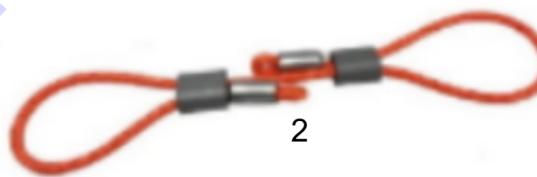
Imperial

Inner diameter (in.)	Thickness (in.)	Maximum working pressure (psi)	Length of roll (ft)	Weight (lb)	Part number
$\frac{3}{4}$	$\frac{5}{64}$	290	50	8.8	8900 0050 08
1	$\frac{3}{32}$	290	50	11.0	8900 0050 24

Pre-mounted universal hoses with claw couplings

Id	Qty	Number	Name	Specifications
-	1	8900005009	CP RED-X HOSE SET (20M)	
-	1	8900005023	CP RED-X UNIVERSAL HOSE	
-	1	8900005008	CP RED-X HOSE SET US 3/4	
-	1	8900005024	CP RED-X US UNIVERSAL HO	
-	1	3310103162	RED-X HOSE Ø3/4" L196FT W/ US COUPLING	
-	1	3310103163	RED-X HOSE Ø3/4" L328FT W/ US COUPLING	

Go to Discount-Equipment.com to order your parts



Id	Qty	Number	Name	Specifications
1	1	3310101858	WHIP CHECK 1/2"-1.1/4",L=540mm	
1	1	3310101859	WHIP CHECK 1.1/2"-3",L=965mm	
1	1	3310101860	WHIP CHECK 3"-6",L=1150mm	
2	1	3310102546	WHIPCHECK PRO 1/2 - 4",L=500MM,BS=1000KG	

Go to Discount-Equipment.com to order your parts

Part no	Part no	Part no	Part no	Part no	Part no
	rdr_cp_cp_01724		rdr_cp_cp_01724		rdr_cp_cp_01724
	rdr_cp_cp_01724		rdr_cp_cp_01724		rdr_cp_cp_01724
	rdr_cp_cp_01724		rdr_cp_cp_01724		rdr_cp_cp_01724
--	rdr_cp_cp_01724	--	APP	--	rdr_cp_cp_01724
--	rdr_cp_cp_01724	--	rdr_cp_cp_01724	--	rdr_cp_cp_01724
--	rdr_cp_cp_01724	--	rdr_cp_cp_01724	--	rdr_cp_cp_01724
--	rdr_cp_cp_01724	--	rdr_cp_cp_01724	--	rdr_cp_cp_01724
3310101858	Whipchec_AC	3310101859	Whipchec_AC	3310101860	Whipchec_AC
3310102006	drillbits25X108CP	3310102007	drillbits25X108CP	3310102008	drillbits25X108CP
3310102009	drillbits25X108CP	3310102010	drillbits25X108CP	3310102011	drillbits25X108CP
3310102012	drillbits25X108CP	3310102013	drillbits25X108CP	3310102014	drillbits25X108CP
3310102015	drillbits25X108CP	3310102016	drillbits25X108CP	3310102017	drillbits25X108CP
3310102018	drillbits25X108CP	3310102019	drillbits25X108CP	3310102020	drillbits25X108CP
3310102021	drillbits25X108CP	3310102247	ShankendrodsR25CP	3310102248	ShankendrodsR25CP
3310102249	ShankendrodsR25CP	3310102250	ShankendrodsR25CP	3310102251	ShankendrodsR25CP
3310102494	APP	3310102546	Whipchec_AC	3310102632	
3310102637		3310103157	APP	3310103158	APP
3310103162		3310103163		8099020249	Rockdrilloil_CP
8099020251	Rockdrilloil_CP	8900005001	Waterseperatorscp	8900005007	Lubricators_CP
8900005008		8900005009		8900005010	
8900005011		8900005012		8900005020	
8900005021		8900005022		8900005023	
8900005024		9000005000	Hoseclampsus_CP	9000005000	Hoseclampsforrubbert
9000005100	Hoseclampsus_CP	9000005100	Hoseclampsforrubbert	9000005200	Hoseclampsus_CP
9000026000	Clawcouplingsmaximu	9000026100	Clawcouplingsmaximu	9000026200	Clawcouplingsmaximu
9000026300	Clawcouplingsmaximu	9000026400	Clawcouplingsmaximu	9000030000	Clawcouplingsmaximu
9000030100	Clawcouplingsmaximu	9000030200	Clawcouplingsmaximu	9000030300	Clawcouplingsmaximu
9000030400	Clawcouplingsmaximu	9000030500	Clawcouplingsmaximu	9000030600	Clawcouplingsmaximu
9000030601	Clawcouplingsmaximu	9000030700	Clawcouplingsmaximu	9000030800	Clawcouplingsmaximu
9000030900	Clawcouplingsmaximu	9000031000	Clawcouplingsmaximu	9000031100	Clawcouplingsmaximu
9000031200	Clawcouplingsmaximu	9000031300	Clawcouplingsmaximu	9000031400	Clawcouplingsmaximu
9001000301	Clawcouplingsmaximu	9001000303	Clawcouplingsmaximu	9001000305	Clawcouplingsmaximu
9001000307	Clawcouplingsmaximu	9001000310	Clawcouplingsmaximu	9001000313	Clawcouplingsmaximu
9001000506	Clawcouplingsus_CP	9001000510	Clawcouplingsus_CP	9001000510	Clawcouplingsforrubbe
9001000511	Clawcouplingsus_CP	9001000511	Clawcouplingsforrubbe	9001000512	Clawcouplingsforrubbe
9001000512	Clawcouplingsus_CP	9001000513	Clawcouplingsus_CP	9001000513	Clawcouplingsforrubbe
9238981490	Rubberhoseaccessori	9246020367	Lubricators_CP	9246020368	Lubricators_CP
9246020369	Lubricators_CP	9246020438	Couplingsforrubberho:	9246020439	Couplingsforrubberho:
9246020440	Couplingsforrubberho:	9246020441	Couplingsforrubberho:	9246020442	Couplingsforrubberho:
9246020443	Couplingsforrubberho:	9246020664	Lubricators_CP	9246020731	Rubberhoseaccessori
9753216835	Rubberhoseaccessori	9753216836	Rubberhoseaccessori	C036717	
C036717	APP	C068799		C087316	rdr_cp_cp_01724
H0979432	APP	H0979432		P002149	APP
P002149		P103521		P103521	APP
R000088		R000088	APP	R000142	APP
R000142		R000530	APP	R000530	
R000537	APP	R000537		R005584	
R005584	APP	R005742	APP	R005742	
R041323		R041324		R041324	APP
R042161	APP	R042161		R075099	
R075099	APP	R075265		R075265	APP
R075267	APP	R075267		R075419	APP
R075419		R075449	APP	R075449	
R075772	APP	R075772		R075777	APP
R075777		R075778	APP	R075778	
R075780		R075780	APP	R075802	
R075802	APP	R075826		R075826	APP
R075839		R075839	APP	R076172	
R076172	APP	R076173		R076173	APP
R076194		R076194	APP	R076263	
R076263	APP	R076264		R076266	APP

Part no	Part no	Part no	Part no	Part no	Part no
R076266		R076372		R076793	
R076793	APP	R077184		R077184	APP
R079124		R079124	APP	R085611	
R085625		R085625	APP	R085627	rdr_cp_cp_01724
R085671	APP	R085671		R085756	APP
R085756		R086608	APP	R086608	
R086611	APP	R086611		R086612	APP
R086612		R086622	APP	R086622	
R086623		R086623	APP	R086627	
R086627	APP	R086628	APP	R086628	
R086654	APP	R086654		R086733	
R086733	APP	R091176		R092420	rdr_cp_cp_01724
R093890		R093891	APP	R093895	
R093896	APP	R093896		R093897	
R093897	APP	R093898	APP	R093898	
R093913	APP	R098084		R098084	APP
R098085		R110317	APP	R110317	
R137738		R137738	APP		

Go to Discount-Equipment.com to order your parts



www.discount-equipment.com

PARTS FINDER

**Search Website
by Part Number**



**Search Manual
Library For Parts
Manual & Lookup Part
Numbers – Purchase
or Request Quote**

Search Manuals

Enter your information to help us find the right parts manual for your machine.

* Brand:

* Model:

* Serial:

* Part Number:

SEARCH

**Can't Find Part or
Manual? Request Help
by Manufacturer,
Model & Description**

Parts Order Form

Please fill in the following information to help us find the right part for your machine.

Manufacturer:	<input type="text"/>
Model:	<input type="text"/>
Description:	<input type="text"/>
Part Number:	<input type="text"/>
Quantity:	<input type="text"/>
Notes:	<input type="text"/>

Discount-Equipment.com is your online resource for quality parts & equipment.

Florida: **561-964-4949** Outside Florida TOLL FREE: **877-690-3101**

Need parts?

Click on this link: <http://www.discount-equipment.com/category/5443-parts/> and choose one of the options to help get the right parts and equipment you are looking for. Please have the machine model and serial number available in order to help us get you the correct parts. If you don't find the part on the website or on one of the online manuals, please fill out the request form and one of our experienced staff members will get back to you with a quote for the right part that your machine needs.

We sell worldwide for the brands: Genie, Terex, JLG, MultiQuip, Mikasa, Essick, Whiteman, Mayco, Toro Stone, Diamond Products, Generac Magnum, Airman, Haulotte, Barreto, Power Blanket, Nifty Lift, Atlas Copco, Chicago Pneumatic, Allmand, Miller Curber, Skyjack, Lull, Skytrak, Tsurumi, Husquvarna Target, Stow, Wacker, Sakai, Mi-T-M, Sullair, Basic, Dynapac, MBW, Weber, Bartell, Bennar Newman, Haulotte, Ditch Runner, Menegotti, Morrison, Contec, Buddy, Crown, Edco, Wyco, Bomag, Laymor, EZ Trench, Bil-Jax, F.S. Curtis, Gehl Pavers, Heli, Honda, ICS/PowerGrit, IHI, Partner, Imer, Clipper, MMD, Koshin, Rice, CH&E, General Equipment, Amida, Coleman, NAC, Gradall, Square Shooter, Kent, Stanley, Tamco, Toku, Hatz, Kohler, Robin, Wisconsin, Northrock, Oztec, Toker TK, Rol-Air, APT, Wylie, Ingersoll Rand / Doosan, Innovatech, Con X, Ammann, Mecalac, Makinex, Smith Surface Prep, Small Line, Wanco, Yanmar