



**Discount
Equipment**

www.discount-equipment.com

Filter	9870050900,PN3 250102 - 250665 9870050900,PN3 250666 -
Identity	9870050900
Specifications	Shank Size (Metric): Hex 22 x 82.5 mm, Product number: 8900002017, Division: Portable Air, Product group: Pneumatic handheld, Product type: Pneumatic surface rock drills, Product: CP 0032 A H22 X 82.5, Product Company: Chakan

PARTS FINDER

**Search Website
by Part Number**



**Search Manual
Library For Parts
Manual & Lookup Part
Numbers – Purchase
or Request Quote**

Search Manuals

Enter your information to help us find the right parts manual for your machine.

* Brand:

* Model:

* Serial:

* Part Number:

SEARCH

**Can't Find Part or
Manual? Request Help
by Manufacturer,
Model & Description**

Parts Order Form

Please fill in the following information to help us find the right part for your machine.

Manufacturer:	<input type="text"/>
Model:	<input type="text"/>
Description:	<input type="text"/>
Part Number:	<input type="text"/>
Quantity:	<input type="text"/>
Notes:	<input type="text"/>

Submit

Discount-Equipment.com is your online resource for quality parts & equipment.

Florida: **561-964-4949** Outside Florida TOLL FREE: **877-690-3101**

Need parts?

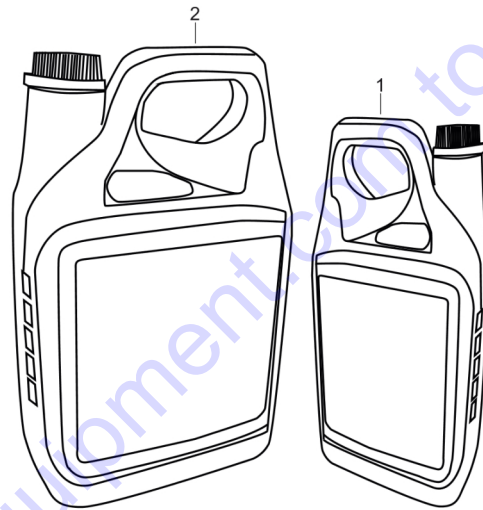
Click on this link: <http://www.discount-equipment.com/category/5443-parts/> and choose one of the options to help get the right parts and equipment you are looking for. Please have the machine model and serial number available in order to help us get you the correct parts. If you don't find the part on the website or on one of the online manuals, please fill out the request form and one of our experienced staff members will get back to you with a quote for the right part that your machine needs.

We sell worldwide for the brands: Genie, Terex, JLG, MultiQuip, Mikasa, Essick, Whiteman, Mayco, Toro Stone, Diamond Products, Generac Magnum, Airman, Haulotte, Barreto, Power Blanket, Nifty Lift, Atlas Copco, Chicago Pneumatic, Allmand, Miller Curber, Skyjack, Lull, Skytrak, Tsurumi, Husquvarna Target, Stow, Wacker, Sakai, Mi-T-M, Sullair, Basic, Dynapac, MBW, Weber, Bartell, Bennar Newman, Haulotte, Ditch Runner, Menegotti, Morrison, Contec, Buddy, Crown, Edco, Wyco, Bomag, Laymor, EZ Trench, Bil-Jax, F.S. Curtis, Gehl Pavers, Heli, Honda, ICS/PowerGrit, IHI, Partner, Imer, Clipper, MMD, Koshin, Rice, CH&E, General Equipment, Amida, Coleman, NAC, Gradall, Square Shooter, Kent, Stanley, Tamco, Toku, Hatz, Kohler, Robin, Wisconsin, Northrock, Oztec, Toker TK, Rol-Air, APT, Wylie, Ingersoll Rand / Doosan, Innovatech, Con X, Ammann, Mecalac, Makinex, Smith Surface Prep, Small Line, Wanco, Yanmar

CP Airolene plus rock drill oil	Rockdrilloil_CP
Genoil pneumatic (mineral)	APP
R25 drill bits	R25drillBitsCP
Integral Drill Steel Rod hex. Shank hex.22 mm (7/8") × 82.5 mm (3¼")	Integraldril22x82
H-Thread rods and bits	H-threadandbits_CP
Carbide tipped integral drill steels (whirl bits) - shank h7/8 x 3 1/4 CP	Carbidetippedh3_CP
0032 A 7/8" x 3¼"	
Water conversion kit	rdr_cp_cp_01724
Recommended Spare Parts list - (CP0032A-H22x82.5MM)	APP
Claw couplings for maximum airflow (forged)	Clawcouplingsmaximumairflow
Hose Clamps for US type forged Claw Couplings	Hoseclampsus_CP
Claw couplings, US type (casted)	Clawcouplingsus_CP
Hose clamps for rubber hoses	Hoseclampsforrubberhoses_CP
Claw couplings for rubber hoses	Clawcouplingsforrubberhoses_CP
Couplings for rubber hoses	Couplingsforrubberhoses_CP
Lubricators, fitted with claw couplings	Lubricators_CP
Water seperators, fitted with claw couplings	Waterseperatorscp
Hose rolls	
Rubber hose & accessories	RubberhoseaccessoriesCP
Pre-mounted universal hoses with claw couplings	
Whip Check	Whipchec_AC

	Oil Volume		Part Number
	l	US gal	
CP AIROLENE PLUS TOOL OIL			
5 Liter Container	5.0	1.32	8099 0202 49
4 x 5 Liter Container	20.0	5.28	8099 0202 51

Go to Discount-Equipment.com to order your parts

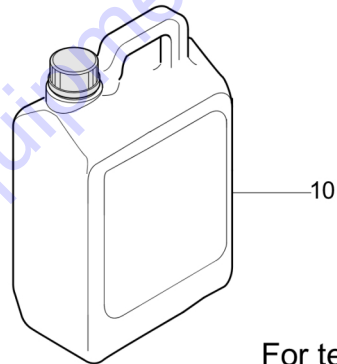
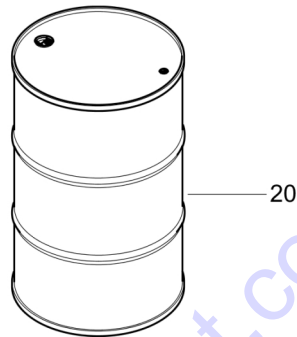


For tech. details check next page

Id	Qty	Number	Name	Specifications
1	1	8099020249	AIROLENE PLUS TOOL OIL - 5L	
2	1	8099020251	AIROLENE PLUS TOOL OIL - 4X5L	

Go to Discount-Equipment.com to order your parts

Description	Oil Volume		Weight		Parts number
	l	Gal	Kg		
5L Can	5	1.1	5.8	10	3310103157
210 Drum	210	55.4	231	20	3310103158

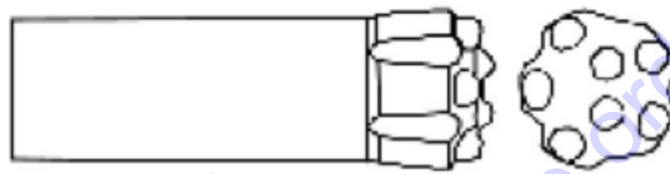


For tech. details check next page

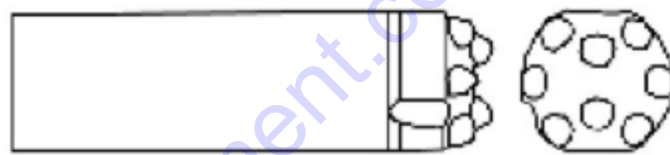
Id	Qty	Number	Name	Specifications
10	1	3310103157	GENOIL PNEUMATIC , 5L	
20	1	3310103158	GENOIL PNEUMATIC , 210L DRUM	

Go to Discount-Equipment.com to order your parts

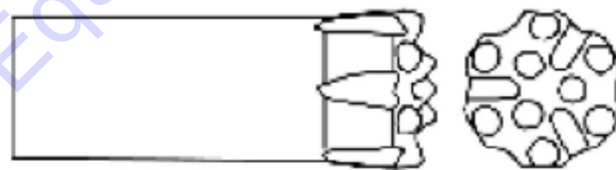
Description	Dia	Gauge carbide	Front carbide	Side flushing	Side flushing	Gauge angle	Part number
	in	in	in	in	in	degree	
Drill Bit R25 (1"), 8 Buttons	1 ¹ / ₁₆	1/4" x 1/4"	1/16" x 1/4"	1/16" x 3/16"	1/16" x 3/16"	35°	3310 1022 52
Drill Bit R25 (1"), 8 Buttons	1 ³ / ₁₆	1/4" x 1/4"	1/16" x 1/4"	1/16" x 3/16"	1/16" x 3/16"	35°	3310 1022 53
Drill Bit R25 (1"), 7 Buttons	1 ⁵ / ₃₂	1/4" x 1/4"	1/16" x 1/4"	1/16" x 3/16"	1/16" x 3/16"	35°	3310 1022 54
Drill Bit R25 (1"), 9 Buttons	1 ¹ / ₂	1/4" x 5/16"	1/8" x 1/4"	1/16" x 3/16"	1/8" x 3/16"	35°	3310 1022 55
Drill Bit R25 (1"), 8 Buttons	1 ⁵ / ₈	1/4" x 5/16"	1/16" x 5/16"	1/16" x 3/16"	1/16" x 3/16"	35°	3310 1022 56
Drill Bit R25 (1"), 9 Buttons	1 ³ / ₄	1/4" x 3/8"	1/8" x 1/4"	1/16" x 3/16"	1/8" x 3/16"	35°	3310 1022 57
Drill Bit R25 (1"), 9 Buttons	1 ⁷ / ₈	1/4" x 3/8"	1/8" x 3/8"	1/16" x 3/16"	1/8" x 3/16"	35°	3310 1022 58
Drill Bit R25 (1"). 9 Buttons	2	1/4" x 3/8"	1/8" x 3/8"	1/16" x 3/16"	1/8" x 3/16"	35°	3310 1022 59



3



2



1

For tech. details check next page

Id	Qty	Number	Name	Specifications
1	1	3310102255	Drill Bit R25 (1"), 38 MM, 9 Buttons	
1	1	3310102257	Drill Bit R25 (1"), 45 MM, 9 Buttons	
1	1	3310102258	Drill Bit R25 (1"), 48 MM, 9 Buttons	
1	1	3310102259	Drill Bit R25 (1"), 51 MM, 9 Buttons	
2	1	3310102252	Drill Bit R25 (1"), 33 MM, 8 Buttons	
2	1	3310102253	Drill Bit R25 (1"), 35 MM, 8 Buttons	
2	1	3310102256	Drill Bit R25 (1"), 41 MM, 8 Buttons	
3	1	3310102254	Drill Bit R25 (1"), 37 MM, 7 Buttons	

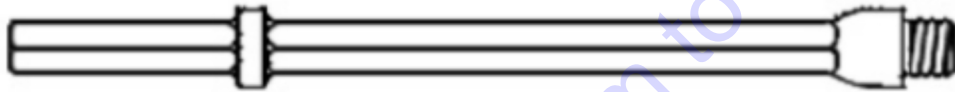
Go to Discount-Equipment.com to order your parts

Description	Length(L)	Bit Diameter	Part Number
	ft/in	in	
Integral Hex 7/8" X 3¼"	L 1'3¾"	1 5/8"	3310102413
Integral Hex 7/8" X 3¼"	L 1' 11 5/8"	1 5/8"	3310102414
Integral Hex 7/8" X 3¼"	L 2'7½"	1 9/16"	3310102415
Integral Hex 7/8" X 3¼"	L 2'7½"	1 ½"	3310102416
Integral Hex 7/8" X 3¼"	L 3'11¼"	1 9/16"	3310102417
Integral Hex 7/8" X 3¼"	L 3'11 ¼"	1 17/32"	3310102418
Integral Hex 7/8" X 3¼"	L 5'3"	1 17/32"	3310102419
Integral Hex 7/8" X 3¼"	L 5'3"	1 13/32"	3310102420
Integral Hex 7/8" X 3¼"	L 5'10 7/8"	1 17/32"	3310102421
Integral Hex 7/8" X 3¼"	L 5'10 7/8"	1 13/32"	3310102422
Integral Hex 7/8" X 3¼"	L 7'10 ½"	1 ½"	3310102423
Integral Hex 7/8" X 3¼"	L 10'6"	1 15/32"	3310102424

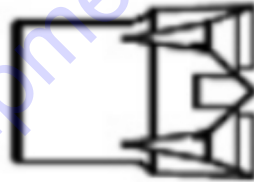
Id	Qty	Number	Name	Specifications
1	1	3310102413	IntegraLH 7/8" X 3¼", L1'3¼", ø1 5/8"	
1	1	3310102414	IntegraLH 7/8" X 3¼", L1'11 5/8", ø1 5/8"	
1	1	3310102415	IntegraLH 7/8" X 3¼", L2'7½", ø1 9/16"	
1	1	3310102416	IntegraLH 7/8" X 3¼", L2'7½", ø1 ½"	
1	1	3310102417	IntegraLH 7/8" X 3¼", L3'11¼", ø1 9/16"	
1	1	3310102418	IntegraLH 7/8" X 3¼", L3'11 ¼", ø1 17/32"	
1	1	3310102419	IntegraLH 7/8" X 3¼", L5'3", ø1 17/32"	
1	1	3310102420	IntegraLH 7/8" X 3¼", L5'3", ø1 13/32"	
1	1	3310102421	IntegraLH7/8"X3¼", L5'10 7/8", ø1 17/32"	
1	1	3310102422	IntegraLH 7/8"X3¼", L5'10 7/8", ø1 13/32"	
1	1	3310102423	IntegraLH 7/8" X 3¼", L7'10 ½", ø1 ½"	
1	1	3310102424	IntegraLH 7/8" X 3¼", L10'6", ø1 15/32"	

Go to Discount-Equipment.com to order your parts

Description	Length(L)		Part Number
	ft/in	in	
H-Thread rod H7/8	L 12"	3 1/4"	3083422100
H-Thread rod H7/9	L 18"	3 1/4"	3083422110
H-Thread rod H7/10	L 24"	3 1/4"	3083422120
H-Thread rod H7/11	L 30"	3 1/4"	3083422130
H-Thread rod H7/12	L 36"	3 1/4"	3083422140
H-Thread rod H7/13	L 48"	3 1/4"	3083422150
H-Thread rod H7/14	L 60"	3 1/4"	3083422160
H-Thread rod H7/15	L 72"	3 1/4"	3083422170
H-Thread rod H7/16	L 96"	3 1/4"	3083422180
H-Thread rod H7/17	L 12"	4 1/4"	3083422000
H-Thread rod H7/18	L 18"	4 1/4"	3083422010
H-Thread rod H7/19	L 24"	4 1/4"	3083422020
H-Thread rod H7/20	L 30"	4 1/4"	3083422030
H-Thread rod H7/21	L 36"	4 1/4"	3083422040
H-Thread rod H7/22	L 48"	4 1/4"	3083422050
H-Thread rod H7/23	L 60"	4 1/4"	3083422060
H-Thread rod H7/24	L 72"	4 1/4"	3083422070
H-Thread rod H7/25	L 96"	4 1/4"	3083422080
H-Thread rod H1	L 12"	4 1/4"	3083422200
H-Thread rod H1	L 18"	4 1/4"	3083422210
H-Thread rod H1	L 24"	4 1/4"	3083422220
H-Thread rod H1	L 30"	4 1/4"	3083422230
H-Thread rod H1	L 36"	4 1/4"	3083422240
H-Thread rod H1	L 48"	4 1/4"	3083422250
H-Thread rod H1	L 60"	4 1/4"	3083422260
H-Thread rod H1	L 72"	4 1/4"	3083422270
H-Thread rod H1	L 96"	4 1/4"	3083422280
Carbide cross bit(H Thread rod)	-	ø1 3/8"	3083422300
Carbide cross bit(H Thread rod)	-	ø1 1/2"	3083422310
Carbide cross bit(H Thread rod)	-	ø1 5/8"	3083422320
Carbide cross bit(H Thread rod)	-	ø1 3/4"	3083422330
Carbide cross bit(H Thread rod)	-	ø1 7/8"	3083422340
Carbide cross bit(H Thread rod)	-	ø2"	3083422350
Carbide cross bit(H Thread rod)	-	ø2 1/4"	3083422360
Carbide cross bit(H Thread rod)	-	ø2 1/2"	3083422370
Carbide cross bit(H Thread rod)	-	ø3"	3083422380



1

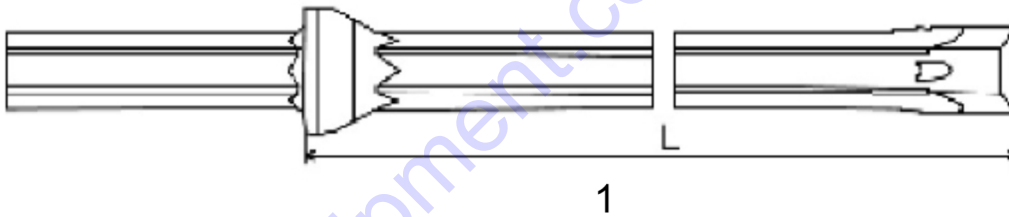


2

for tech. details check next page

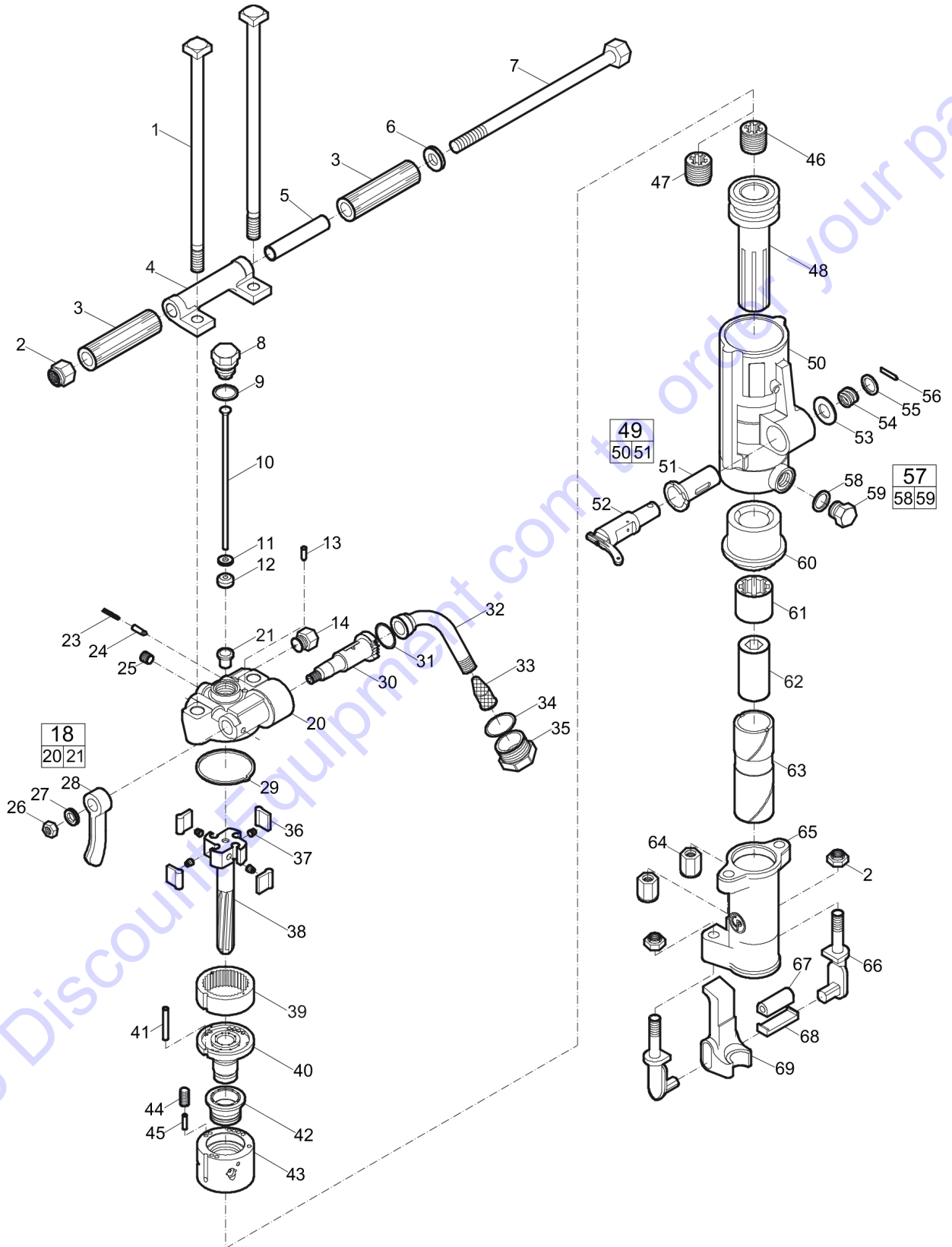
Id	Qty	Number	Name	Specifications
1		3083422100	DRILL ROD (OBSOLETE)	
1		3083422110	DRILL ROD (OBSOLETE)	
1		3083422120	DRILL ROD (OBSOLETE)	
1		3083422130	H-Thread rod H7/8 X 3 1/4",L 30"	
1		3083422140	H-Thread rod Hex 22 x 82.5 mm	
1		3083422150	H-Thread rod H7/8 X 3 1/4",L 48"	
1		3083422160	DRILL ROD (OBSOLETE)	
1		3083422170	DRILL ROD (OBSOLETE)	
1		3083422180	H-Thread rod H7/8 X 3 1/4",L 96"	
1		3083422000	H-Thread rod Hex 22 x 108 mm	
1		3083422010	H-Thread rod Hex 22 x 108 mm	
1		3083422020	H-Thread rod Hex 22 x 108 mm	
1		3083422030	DRILL ROD (OBSOLETE)	
1		3083422040	H-Thread rod Hex 22 x 108 mm	
1		3083422050	H-Thread rod Hex 22 x 108 mm	
1		3083422060	H-Thread rod Hex 22 x 108 mm	
1		3083422070	H-Thread rod H7/8 X 4 1/4",L 72"	
1		3083422080	H-Thread rod Hex 22 x 108 mm	
1		3083422200	DRILL ROD (OBSOLETE)	
1		3083422210	H-Thread rod H1 X 4 1/4",L 18"	
1		3083422220	H-Thread rod Hex 25 x 108 mm	
1		3083422230	H-Thread rod Hex 25 x 108 mm	
1		3083422240	DRILL ROD (OBSOLETE)	
1		3083422250	DRILL ROD (OBSOLETE)	
1		3083422260	DRILL ROD (OBSOLETE)	
1		3083422270	H-Thread rod Hex 25 x 108 mm	
1		3083422280	H-Thread rod Hex 25 x 108 mm	
2		3083422300	Carbide cross bit (H-Thread rods)	
2		3083422310	Carbide cross bit (H-Thread rods)	
2		3083422320	TC CROSS BIT (OBSOLETE)	
2		3083422330	H-THREAD CARBIDE BIT 1 3/4"DIA	
2		3083422340	TC CROSS BIT (OBSOLETE)	
2		3083422350	Carbide cross bit (H-Thread rods)	
2		3083422360	Carbide cross bit (H-Thread rods)	
2		3083422370	TC CROSS BIT (OBSOLETE)	
2		3083422380	Carbide cross bit (H-Thread rods)	

Description	Length(L)		Part Number
	ft/in	in	
Integral H7/8 X 3 1/4"	L 9"	ø 5/8"	3083420000
Integral H7/8 X 3 1/4"	L 12"	ø 5/8"	3083420010
Integral H7/8 X 3 1/4"	L 18"	ø 5/8"	3083420020
Integral H7/8 X 3 1/4"	L 9"	ø 3/4"	3083420100
Integral H7/8 X 3 1/4"	L 12"	ø 3/4"	3083420110
Integral H7/8 X 3 1/4"	L 18"	ø 3/4"	3083420120
Integral H7/8 X 3 1/4"	L 24"	ø 3/4"	3083420130
Integral H7/8 X 3 1/4"	L 30"	ø 3/4"	3083420140
Integral H7/8 X 3 1/4"	L 9"	ø 7/8"	3083420200
Integral H7/8 X 3 1/4"	L 12"	ø 7/8"	3083420210
Integral H7/8 X 3 1/4"	L 18"	ø 7/8"	3083420220
Integral H7/8 X 3 1/4"	L 24"	ø 7/8"	3083420230
Integral H7/8 X 3 1/4"	L 30"	ø 7/8"	3083420240
Integral H7/8 X 3 1/4"	L 9"	ø 1"	3083420300
Integral H7/8 X 3 1/4"	L 12"	ø 1"	3083420310
Integral H7/8 X 3 1/4"	L 18"	ø 1"	3083420320
Integral H7/8 X 3 1/4"	L 24"	ø 1"	3083420330
Integral H7/8 X 3 1/4"	L 30"	ø 1"	3083420340
Integral H7/8 X 3 1/4"	L 12"	ø 1 1/8"	3083420400
Integral H7/8 X 3 1/4"	L 18"	ø 1 1/8"	3083420410
Integral H7/8 X 3 1/4"	L 24"	ø 1 1/8"	3083420420
Integral H7/8 X 3 1/4"	L 30"	ø 1 1/8"	3083420430
Integral H7/8 X 3 1/4"	L 12"	ø 1 1/4"	3083420500
Integral H7/8 X 3 1/4"	L 18"	ø 1 1/4"	3083420510
Integral H7/8 X 3 1/4"	L 24"	ø 1 1/4"	3083420520
Integral H7/8 X 3 1/4"	L 30"	ø 1 1/4"	3083420530
Integral H7/8 X 3 1/4"	L 12"	ø 1 3/8"	3083420600
Integral H7/8 X 3 1/4"	L 18"	ø 1 3/8"	3083420610
Integral H7/8 X 3 1/4"	L 24"	ø 1 3/8"	3083420620
Integral H7/8 X 3 1/4"	L 30"	ø 1 3/8"	3083420630
Integral H7/8 X 3 1/4"	L 12"	ø 1 1/2"	3083420700
Integral H7/8 X 3 1/4"	L 18"	ø 1 1/2"	3083420710
Integral H7/8 X 3 1/4"	L 24"	ø 1 1/2"	3083420720
Integral H7/8 X 3 1/4"	L 30"	ø 1 1/2"	3083420730
Integral H7/8 X 3 1/4"	L 12"	ø1 5/8"	3310102528
Integral H7/8 X 3 1/4"	L 18"	ø1 5/8"	3310102529
Integral H7/8 X 3 1/4"	L 24"	ø1 5/8"	3310102530
Integral H7/8 X 3 1/4"	L 30"	ø1 5/8"	3310102531



for tech. details check next page

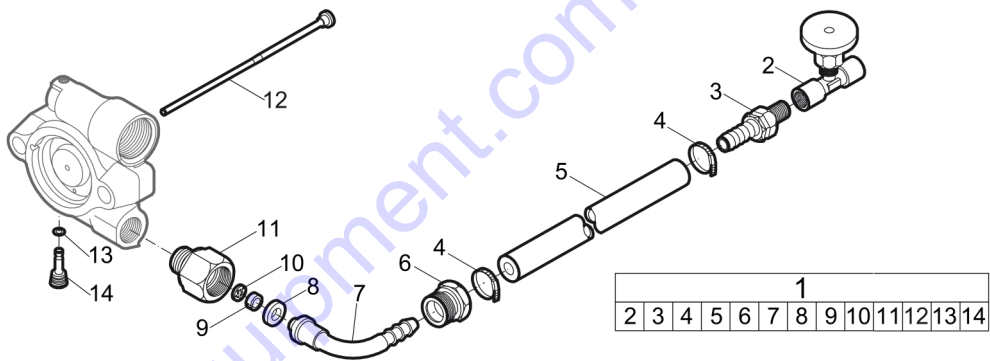
Id	Qty	Number	Name	Specifications
1	1	3083420000	INTEGRAL (OBSOLETE)	
1	1	3083420010	DRILL-INTEGRAL 5/8 IN X9 IN	
1	1	3083420020	DRILL-INTEGRAL 5/8 IN X14 IN	
1	1	3083420100	INTEGRAL (OBSOLETE)	
1	1	3083420110	DRILL-INTEGRAL 3/4 IN X9 IN	
1	1	3083420120	DRILL-INTEGRAL 3/4 IN X14 IN	
1	1	3083420130	Integral Hex 22 x 82.5 MM (7/8	
1	1	3083420140	Integral Hex 22 x 82.5 MM (7/8	
1	1	3083420200	Integral Hex 22 x 82.5 MM (7/8	
1	1	3083420210	Integral Hex 22 x 82.5 MM (7/8	
1	1	3083420220	DRILL-INTEGRAL 7/8 IN X14 IN	
1	1	3083420230	Integral Hex 22 x 82.5 MM (7/8	
1	1	3083420240	Integral Hex 22 x 82.5 MM (7/8	
1	1	3083420300	Integral Hex 22 x 82.5 MM (7/8	
1	1	3083420310	DRILL-INTEGRAL 1 inchX9 inch	
1	1	3083420320	DRILL-INTEGRAL 1 IN X14 IN	
1	1	3083420330	DRILL-INTEGRAL 1 IN X20 IN	
1	1	3083420340	Integral Hex 22 x 82.5 MM (7/8	
1	1	3083420400	Integral Hex 22 x 82.5 MM (7/8	
1	1	3083420410	DRILL-INTEGRAL 1 1/8 IN X14 IN	
1	1	3083420420	Integral Hex 22 x 82.5 MM (7/8	
1	1	3083420430	Integral Hex 22 x 82.5 MM (7/8	
1	1	3083420500	Integral Hex 22 x 82.5 MM (7/8	
1	1	3083420510	Integral Hex 22 x 82.5 mm	
1	1	3083420520	Integral Hex 22 x 82.5 mm	
1	1	3083420530	Integral Hex 22 x 82.5 mm	
1	1	3083420600	Integral Hex 22 x 82.5 MM (7/8	
1	1	3083420610	Integral Hex 22 x 82.5 MM (7/8	
1	1	3083420620	Integral Hex 22 x 82.5 MM (7/8	
1	1	3083420630	Integral Hex 22 x 82.5 MM (7/8	
1	1	3083420700	Integral Hex 22 x 82.5 MM (7/8	
1	1	3083420710	Integral Hex 22 x 82.5 MM (7/8	
1	1	3083420720	Integral Hex 22 x 82.5 MM (7/8	
1	1	3083420730	INTEGRAL (OBSOLETE)	
1	1	3310102528	Integral H7/8X3 1/4",L 11 13/16",ø1 5/8"	
1	1	3310102529	Integral H7/8X3 1/4",L 1' 6 1/8",ø1 5/8"	
1	1	3310102530	Integral H7/8 X 3 1/4", L 2' ",ø 1 5/8"	
1	1	3310102531	Integral H7/8X3 1/4",L2'5 15/16",ø1 5/8"	



Id	Qty	Number	Name	Specifications
1	2	R086623	THRU BOLT	
2	3	R005742	ELASTC STOP NUT	
3	2	R075419	HANDLE RUBBER	
4	1	R086608	Bracket - Handle	
5	1	R076172	LONG HDLE LINER	
6	1	R000142	WASHER	
7	1	R076173	Bolt - Handle	
8	1	R076793	PLUG-WATER TUBE	
9	2	R000537	W TUBE GASKET	
10	1	R077184	Tube - Air	
11	1	R075449	Washer - Air tube	
12	1	R075099	WATER TUBE-RUBBER	
13	1	R075802	PLUNGER PIN	
14	1	R076372	WAT INLET PLUG	
18	1	3310102632	BACK HEAD ASSY	
20	1		Backhead	
21	1	R137738	BUSHING	
23	1	R085671	Spring - Valve plunger	
24	1	R086627	Plunger - Throttle valve	
25	1	C068799	Plug - pipe, Ø 1/4 in., Ø 6.5 mm	
26	1	P002149	Nut - Hexagon	
27	1	C036717	LOCKWASHER	
28	1	R079124	TV HDLE W PIN	
29	1	H0979432	GASKET	
30	1	R086628	THROTTLE VALVE	
31	1	P103521	O-RING-128	
32	1	R075265	Swivel - Air inlet	
33	1	R005584	Screen - Air inlet	
34	1	R110317	O RING	
35	1	R000530	Air swivel nut	
36	4	R075267	Pawl	
37	4	R086654	Spring - Pawl	
38	1	R086622	BAR-RIFLE	
39	1	R076194	Ring - Ratchet	
40	1	R098085	VAL GUIDE BSHG	
41	1	R075772	DOWEL PIN	
42	1	R076263	REGULATING VALVE	
43	1	R076264	VALVE CASE	
44	1	R098084	Plug - Oil regulating	
45	1	R085625	Stem - Oil regulating	
46	1	R075839	RIFLE BAR NUT	
47	1	R075826	Nut - Rifle bar	
48	1	R000088	PISTON	
49	1	3310102637	Cylinder, complete	
50	1		Cylinder	
51	1	R086611	EX VALVE BSHG	
52	1	R086612	Valve - Blower	
53	1	R075777	Washer - Blower valve	

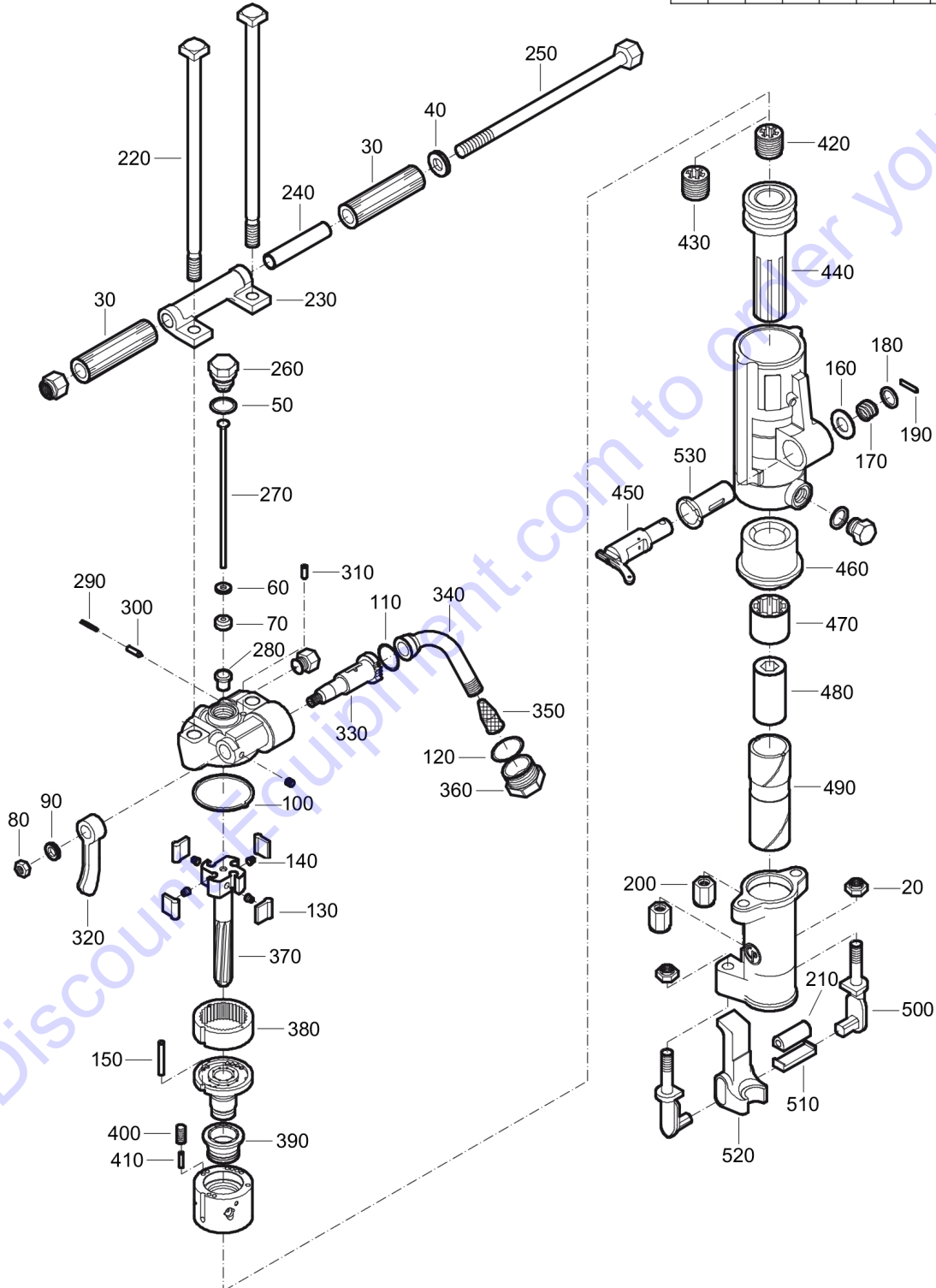
Id	Qty	Number	Name	Specifications
54	1	R075778	SPRING	
55	1	R075780	Washer - Valve spring	
56	1	R076266	Pin - Spring	
57	1	R085611	OIL PLUG	
58	1	R091176	OIL PLUG GASKET	
59	1		Oil plug	
60	1	R042161	CYL BUSHG ASSY	
61	1	R086733	Nut - Chuck rotation	
62	1	R099374	Chuck, 7/8" x 31/4" (22 x 82.5 mm)	
63	1	R041321	Sleeve - Chuck, 7/8" x 31/4" (22 x 82.5 mm)	
64	2	R085756	SIDE ROD NUT	
65	1	R041320	FRONTHEAD	
66	2	R093896	Tunnion - Retainer	
67	1	R093897	Buffer - Retainer	
68	1	R093898	Retainer - Latch shoe	
69	1	R093913	RETAINER LATCH	

Go to Discount-Equipment.com to order your parts



Id	Qty	Number	Name	Specifications
2	1	--	Paroil E	
2	1		Valve - Water	
3	1	--	Paroil E	
3	1		Nipple - Hose	
4	2	--	Paroil E	
4	2		Clamp - Punch lock	
5	1	--	Paroil E	
5	1		Hose, 1/2" x 12"	
6	1	--	Paroil E	
6	1		Nut - Water inlet swivel	
7	1		Swivel - Water inlet	
7	1	--	Paroil E	
8	1	--	Paroil E	
8	1		Gasket - Swivel	
9	1	--	Paroil E	
9	1		Retainer - Water strainer	
10	1	--	Paroil E	
10	1		Strainer - Water	
11	1	--	Paroil E	
11	1		Spud - Water inlet	
12	1	R092420	TUBE-WATER	
13	1	C087316	O-ring	
14	1	R085627	PLUG	

										10
20	30	40	50	60	70	80	90	100	110	
120	130	140	150	160	170	180	190	200	210	

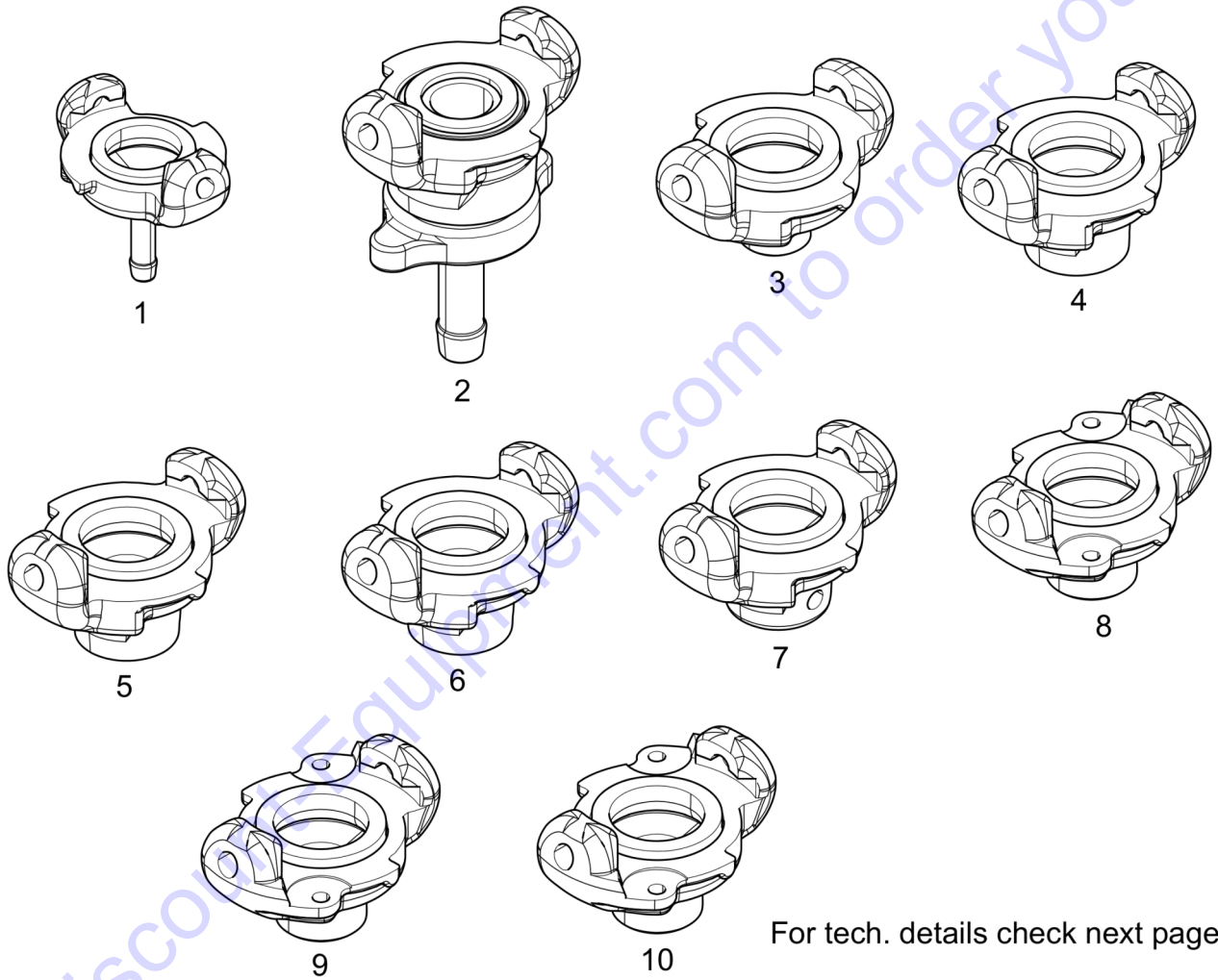


Id	Qty	Number	Name	Specifications
10	1	3310102494	SERVICE KIT - CP 0032 A & AS	
20	1	R005742	ELASTC STOP NUT	
30	2	R075419	HANDLE RUBBER	
40	1	R000142	WASHER	
50	2	R000537	W TUBE GASKET	
60	1	R075449	Washer - Air tube	
70	1	R075099	WATER TUBE-RUBBER	
80	1	P002149	Nut - Hexagon	
90	1	C036717	LOCKWASHER	
100	1	H0979432	GASKET	
110	1	P103521	O-RING-128	
120	1	R110317	O RING	
130	4	R075267	Pawl	
140	4	R086654	Spring - Pawl	
150	1	R075772	DOWEL PIN	
160	1	R075777	Washer - Blower valve	
170	1	R075778	SPRING	
180	1	R075780	Washer - Valve spring	
190	1	R076266	Pin - Spring	
200	2	R085756	SIDE ROD NUT	
210	1	R093897	Buffer - Retainer	
-			Recommended Parts list	
220	1	R086623	THRU BOLT	
230	1	R086608	Bracket - Handle	
240	1	R076172	LONG HDLE LINER	
250	1	R076173	Bolt - Handle	
260	1	R076793	PLUG-WATER TUBE	
270	1	R077184	Tube - Air	
280	1	R137738	BUSHING	
290	1	R085671	Spring - Valve plunger	
300	1	R086627	Plunger - Throttle valve	
310	1	R075802	PLUNGER PIN	
320	1	R079124	TV HDLE W PIN	
330	1	R086628	THROTTLE VALVE	
340	1	R075265	Swivel - Air inlet	
350	1	R005584	Screen - Air inlet	
360	1	R000530	Air swivel nut	
370	1	R086622	BAR-RIFLE	
380	1	R076194	Ring - Ratchet	
390	1	R076263	REGULATING VALVE	
400	1	R098084	Plug - Oil regulating	
410	1	R085625	Stem - Oil regulating	
420	1	R075839	RIFLE BAR NUT	
430	1	R075826	Nut - Rifle bar	
440	1	R000088	PISTON	
450	1	R086612	Valve - Blower	
460	1	R042161	CYL BUSHG ASSY	
470	1	R086733	Nut - Chuck rotation	

Id	Qty	Number	Name	Specifications
480	1	R099374	Chuck, 7/8" x 31/4" (22 x 82.5 mm)	
490	1	R041321	Sleeve - Chuck, 7/8" x 31/4" (22 x 82.5 mm)	
500	2	R093896	Tunnion - Retainer	
510	1	R093898	Retainer - Latch shoe	
520	1	R093913	RETAINER LATCH	
530	1	R086611	EX VALVE BSHG	

Go to Discount-Equipment.com to order your parts

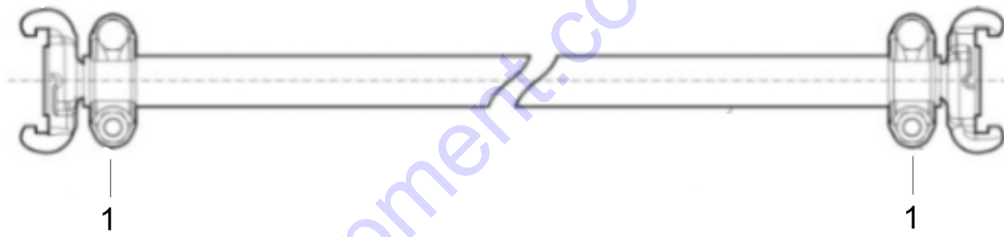
Connection	Connection thread	Bore		Weight kg ¹⁾	Part number
		mm	in		
External thread	G 3/8 A	11.3	7/16	0.11	3 9000 0300 00
	G 1/2 A	14.8	37/64	0.12	3 9000 0301 00
	G 3/4 A	19.0	3/4	0.13	3 9000 0302 00
	G1A	25.5	1	0.13	3 9000 0303 00
Internal thread Internal thread	G 3/8	15.0	19/32	0.12	4 9000 0304 00
	G 1/2	18.6	3/4	0.13	4 9000 0305 00
	G 3/4	24.2	1	0.14	4 9000 0306 00
Internal thread, with strainer	G 3/4	24.2	1	0.14	5 9000 0306 01
Internal thread	G1	30.3	1 3/16	0.15	6 9000 0307 00
Cover	-	-	-	0.18	7 9000 0314 00
Forged claw coupling	G1/2A (M-AUS)	14.8	37/64	0.12	8 9001000301
	G1A (M-AUS)	25.5	1	0.13	8 9001000303
	G1/2 (F-AUS)	18.6	3/4	0.13	8 9001000305
	G1 (F-AUS)	30.3	1 3/16	0.15	8 9001000307
Forged claw coupling 10.0 mm	(HN-AUS)	-	-	-	9 9001000310
Forged claw coupling 25.0 mm	(HN-AUS)	-	-	-	10 9001000313



Connection	Hose inner diameter		Bore		Weight kg ¹⁾	Part number
	mm	in	mm	in		
Hose nipple	6.3	1/4	5.0	3/16	0.11	1 9000 0308 00
	10.0	3/8	8.0	5/16	0.13	1 9000 0309 00
	12.5	1/2	10.5	13/32	0.14	1 9000 0310 00
	16.0	5/8	13.5	17/32	0.14	1 9000 0311 00
	20.0	3/4	17.2	11/16	0.15	1 9000 0312 00
	25.0	1	22.0	7/8	0.17	1 9000 0313 00
Hose nipple with lock nut	10.0	3/8	8.0	5/16	0.29	2 9000 0260 00
	12.5	1/2	10.5	13/32	0.29	2 9000 0261 00
	16.0	5/8	13.5	17/32	0.29	2 9000 0262 00
	20.0	3/4	17.2	11/16	0.32	2 9000 0263 00
	25.0	1	22.0	7/8	0.32	2 9000 0264 00

Id	Qty	Number	Name	Specifications
1	1	9000030800	CLAW COUPLING H06	
1	1	9000030900	CLAW COUPLING H10	
1	1	9000031000	FORGED CLAW COUPLING 12.5MM (HN)	
1	1	9000031100	CLAW COUPLING	
1	1	9000031200	COUPLING	
1	1	9000031300	CLAW COUPLING	
2	1	9000026000	CLAW COUPLING LNH10	
2	1	9000026100	FORGED CLAW COUPLING 12.5 MM (HN-LN)	
2	1	9000026200	CLAW COUPLING LNH16	
2	1	9000026300	NIPPLE -CLAW COUPLING HOSE 3/4	
2	1	9000026400	CLAW. COUPLING	
3	1	9000030000	RACCORD A GRIFFE M-10	
3	1	9000030100	CLAW COUPLING	
3	1	9000030200	QUICK COUPLING - COMPLETE	
3	1	9000030300	PIPE COUPL.	
4	1	9000030400	CLAW COUPLING F10	
4	1	9000030500	coupling	
4	1	9000030600	COUPLING	
5	1	9000030601	CLAW COUPLING	
6	1	9000030700	PIPE COUPLING	
7	1	9000031400	COUPLING	
8	1	9001000301	COUPLING	
8	1	9001000303	COUPLING	
8	1	9001000305	COUPLING	
8	1	9001000307	COUPLING	
9	1	9001000310	COUPLING	
10	1	9001000313	COUPLING	

Description	Hose dimension, external diameter	Round rubber, hose dimension, internal diameter	Flat hose dimension, internal diameter	Part number
	in	in	in	
Two piece hose clamp	$\frac{7}{8} - 1 \frac{1}{8}$	$\frac{1}{2}$	$\frac{3}{4}$	9000 0050 00
Two piece hose clamp	$1 \frac{1}{8} - 1 \frac{3}{8}$	$\frac{3}{4}$	1	9000 0051 00
Two piece hose clamp	$1 \frac{3}{8} - 1 \frac{9}{16}$	1	-	9000 0052 00



For tech. details check next page

Id	Qty	Number	Name	Specifications
1	2	9000005000	HOSE CLAMP	
1	2	9000005100	HOSE CLAMP	
1	2	9000005200	HOSECLAMP	

Go to Discount-Equipment.com to order your parts

Connection	Hose inner diameter	Bore	Weight	Part number
	in	in	lbs	
Hose nipple	3/8	5/64	0.352	9001 0005 11
Hose nipple	1/2	23/64	0.396	9001 0005 10
Hose nipple	3/4	9/16	0.528	9001 0005 12
Hose nipple	1	3/4	0.638	9001 0005 13
Internal thread	3/4" NPT	3/4	0.440	9001 0005 06

Go to Discount-Equipment.com to order your parts



For tech. details check next page

Id	Qty	Number	Name	Specifications
1	1	9001000511	COUPLING	
1	1	9001000510	COUPLING	
1	1	9001000512	COUPLING	
1	1	9001000513	COUPLING	
2	1	9001000506	COUPLING	

Go to Discount-Equipment.com to order your parts

Description	Part number
Hose Clamp - 1/2" Rubber & 3/4" Redex Hose 2-Bolts	1 9000 0050 00
Hose Clamp - 3/4" Rubber & 1" Redex Hose 2-Bolts	1 9000 0051 00

Go to Discount-Equipment.com to order your parts



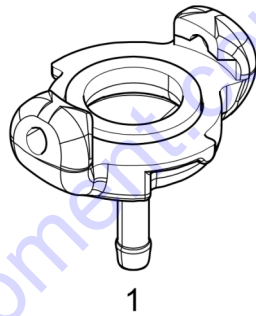
For tech. details check next page

Id	Qty	Number	Name	Specifications
1	1	9000005000	HOSE CLAMP	
1	1	9000005100	HOSE CLAMP	

Go to Discount-Equipment.com to order your parts

Description	Hose Inner diameter	Weight	Part number	
	in	lbs		
Claw Coupling 3/8" Hose Barb	3/8	0.352	1	9001 0005 11
Claw Coupling 1/2" Hose Barb	1/2	0.3	1	9001 0005 10
Claw Coupling 3/4" Hose Barb	3/4	0.45	1	9001 0005 12
Claw Coupling 1" Hose Barb	1	0.638	1	9001 0005 13

Go to Discount-Equipment.com to order your parts

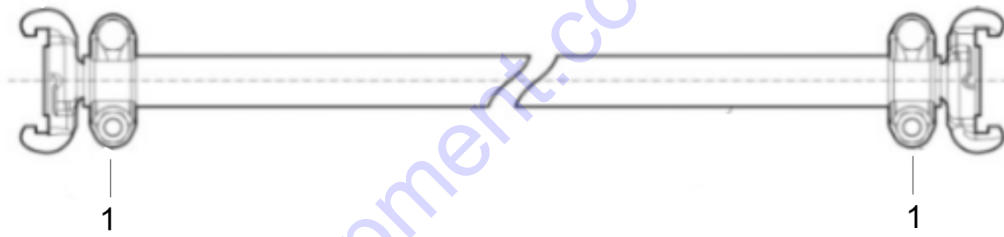


For tech. details check next page

Id	Qty	Number	Name	Specifications
1	1	9001000511	COUPLING	
1	1	9001000510	COUPLING	
1	1	9001000512	COUPLING	
1	1	9001000513	COUPLING	

Go to Discount-Equipment.com to order your parts

Description	Hose Inner diameter	Comments	Part number
	in		
Coupling - 1/2" Universal	½	Female	1 9246 0204 38
Coupling - 3/4" Universal	¾	Female	1 9246 0204 39
Coupling - 1" Universal	1	Female	1 9246 0204 40
Coupling - 1/2" Universal	½	Male	1 9246 0204 41
Coupling - 3/4" Universal	¾	Male	1 9246 0204 42
Coupling - 1" Universal	1	Male	1 9246 0204 43

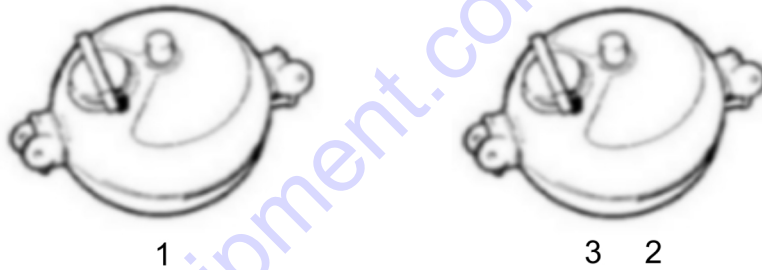


For tech. details check next page

Id	Qty	Number	Name	Specifications
1	1	9246020438	COUPLING 1/2" UNIVERSAL/HEMBRA	
1	1	9246020439	3/4 FEMALE UNIVERSAL	
1	1	9246020440	COUPLING-1" UNIVERSAL FEMALE	
1	1	9246020441	COUPLING-1/2" UNIVERSAL MALE	
1	1	9246020442	COUPLING-3/4" UNIVERSAL MALE	
1	1	9246020443	COUPLING-1" UNIVERSAL MALE	

Go to Discount-Equipment.com to order your parts

	Hose internal diameter	Air flow	Volume	Weight	Part number
	in	cfm	oz	lb	European type
LUBRICATORS					
Lubricators 43, 1" NPT US type claw coupling (premounted)	1	32 – 300	43	15.4	8900 0050 07
Lubricators 3/4" NPT US type claw coupling	3/4	32 – 300	11	15.4	9246 0203 68
Lubricators 3/4" NPT US type claw coupling	3/4	32 – 300	8	15.4	9246 0206 64
Lubricators 3/4" NPT US type claw coupling	3/4	32 – 300	5	15.4	9246 0203 69
Lubricators 1/2" NPT US type claw coupling	1/2	32 – 300	1 - 5	15.4	9246 0203 67



For tech.details check next page

Id	Qty	Number	Name	Specifications
1	1	8900005007	LUBRICATOR 43 (1" NPT)	
2	1	9246020368	LUBRICATOR COMP 3/4 - 11	
2	1	9246020664	LUBRICATOR COMP 3/4 - 8 oz.	
2	1	9246020369	3/4 3.7 OZ IN-LINE LUBRICATOR	
3	1	9246020367	4 OZ OILER WITH 1/2 MALE CLAW	

Go to Discount-Equipment.com to order your parts

Go to Discount-Equipment.com to order your parts

	Hose connection	Air flow	Weight	Part number
	in	cfm	lb	
Water separator, 3/4" NPT, VAM 01 (US version)	3/4	105	3.96	8900 0050 01

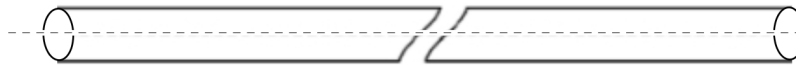


1

For tech. details check next page

Id	Qty	Number	Name	Specifications
1	1	8900005001	WATER SEPARATOR (3/4" NP	

Go to Discount-Equipment.com to order your parts



Metric

Inner diameter (mm)	Thickness (mm)	Maximum working pressure (bar)	Length of roll (m)	Weight (kg)	Part number
19	2.0	20	60	11	10 8900 0050 10
19	2.0	20	100	18	20 8900 0050 11
19	2.0	20	200	36	30 8900 0050 12
25	2.5	20	60	15	40 8900 0050 20
25	2.5	20	100	25	50 8900 0050 21
25	2.5	20	200	50	60 8900 0050 22

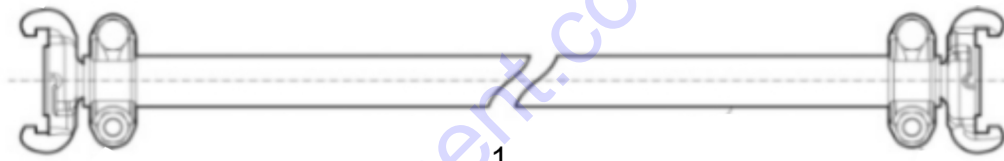
Imperial

Inner diameter (in.)	Thickness (in.)	Maximum working pressure (psi)	Length of roll (ft)	Weight (lb)	Part number
¾	¼	290	195	24.3	10 8900 0050 10
¾	¼	290	325	39.7	20 8900 0050 11
¾	¼	290	650	79.4	30 8900 0050 12
1	⅜	290	195	33.1	40 8900 0050 20
1	⅜	290	325	55.1	50 8900 0050 21
1	⅜	290	650	110.2	60 8900 0050 22

Id	Qty	Number	Name	Specifications
10	1	8900005010	CP RED-X AIR HOSE (60M)	
20	1	8900005011	CP RED-X AIR HOSE 3/4"	
30	1	8900005012	CP RED-X AIR HOSE 3/4" (
40	1	8900005020	CP RED-X AIR HOSE 1" (60	
50	1	8900005021	CP RED-X AIR HOSE 1" (10	
60	1	8900005022	RED-X flat hose ø 25 mm (200m)	

Go to Discount-Equipment.com to order your parts

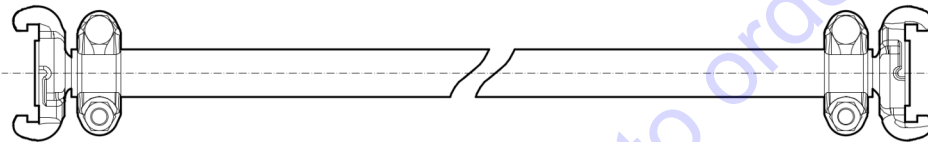
	Color	Inner diameter	Working pressure	Length of roll	Weight	Comments	Part number
		in	psi	ft	lb		
RUBBER HOSE							
Hose-Rubber 3/4" X 50' 250 psi	Red	3/4	250	50	19.8	With couplings	9238 9814 90
Hose-Rubber 3/4" X 100' 250 psi	Red	3/4	250	100	30	With couplings	9246 0207 31
Hose-Rubber 1" X 50' 200 psi	Red	1	200	50	24.2	With couplings	9753 2168 35
Hose-Rubber 1" X 100' 200 psi	Red	1	200	100	36	With couplings	9753 2168 36



For tech. details check next page

Id	Qty	Number	Name	Specifications
1	1	9238981490	HOSE-RUBBER 3/4"X50' 250	
1	1	9246020731	HOSE-RUBBER 3/4"X100'	
1	1	9753216835	HOSE-RUBBER 1"X 50'	
1	1	9753216836	HOSE-RUBBER 1" X 100'	

Go to Discount-Equipment.com to order your parts



Metric

Inner diameter (mm)	Thickness (mm)	Maximum working pressure (bar)	Length of roll (m)	Weight (kg)	Part number
19	2.0	20	20	4.5	8900 0050 09
25	2.5	20	20	6.0	8900 0050 23

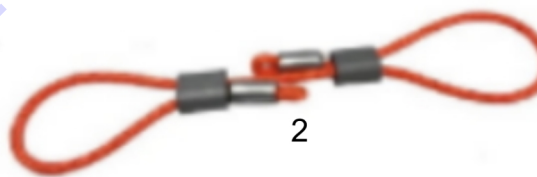
Imperial

Inner diameter (in.)	Thickness (in.)	Maximum working pressure (psi)	Length of roll (ft)	Weight (lb)	Part number
$\frac{3}{4}$	$\frac{5}{64}$	290	50	8.8	8900 0050 08
1	$\frac{3}{32}$	290	50	11.0	8900 0050 24

Pre-mounted universal hoses with claw couplings

Id	Qty	Number	Name	Specifications
-	1	8900005009	CP RED-X HOSE SET (20M)	
-	1	8900005023	CP RED-X UNIVERSAL HOSE	
-	1	8900005008	CP RED-X HOSE SET US 3/4	
-	1	8900005024	CP RED-X US UNIVERSAL HO	
-	1	3310103162	RED-X HOSE Ø3/4" L196FT W/ US COUPLING	
-	1	3310103163	RED-X HOSE Ø3/4" L328FT W/ US COUPLING	

Go to Discount-Equipment.com to order your parts



Id	Qty	Number	Name	Specifications
1	1	3310101858	WHIP CHECK 1/2"-1.1/4",L=540mm	
1	1	3310101859	WHIP CHECK 1.1/2"-3",L=965mm	
1	1	3310101860	WHIP CHECK 3"-6",L=1150mm	
2	1	3310102546	WHIPCHECK PRO 1/2 - 4",L=500MM,BS=1000KG	

Go to Discount-Equipment.com to order your parts

Part no	Part no	Part no	Part no	Part no	Part no
	rdr_cp_cp_01724		rdr_cp_cp_01724		rdr_cp_cp_01724
	rdr_cp_cp_01724		rdr_cp_cp_01724		rdr_cp_cp_01724
	rdr_cp_cp_01724		rdr_cp_cp_01724		APP
--	rdr_cp_cp_01724	--	rdr_cp_cp_01724	--	rdr_cp_cp_01724
--	rdr_cp_cp_01724	--	rdr_cp_cp_01724	--	rdr_cp_cp_01724
--	rdr_cp_cp_01724	--	rdr_cp_cp_01724	--	rdr_cp_cp_01724
3083420000	Carbidetippedh3_CP	3083420010	Carbidetippedh3_CP	3083420020	Carbidetippedh3_CP
3083420100	Carbidetippedh3_CP	3083420110	Carbidetippedh3_CP	3083420120	Carbidetippedh3_CP
3083420130	Carbidetippedh3_CP	3083420140	Carbidetippedh3_CP	3083420200	Carbidetippedh3_CP
3083420210	Carbidetippedh3_CP	3083420220	Carbidetippedh3_CP	3083420230	Carbidetippedh3_CP
3083420240	Carbidetippedh3_CP	3083420300	Carbidetippedh3_CP	3083420310	Carbidetippedh3_CP
3083420320	Carbidetippedh3_CP	3083420330	Carbidetippedh3_CP	3083420340	Carbidetippedh3_CP
3083420400	Carbidetippedh3_CP	3083420410	Carbidetippedh3_CP	3083420420	Carbidetippedh3_CP
3083420430	Carbidetippedh3_CP	3083420500	Carbidetippedh3_CP	3083420510	Carbidetippedh3_CP
3083420520	Carbidetippedh3_CP	3083420530	Carbidetippedh3_CP	3083420600	Carbidetippedh3_CP
3083420610	Carbidetippedh3_CP	3083420620	Carbidetippedh3_CP	3083420630	Carbidetippedh3_CP
3083420700	Carbidetippedh3_CP	3083420710	Carbidetippedh3_CP	3083420720	Carbidetippedh3_CP
3083420730	Carbidetippedh3_CP	3083422000	H-threadandbits_CP	3083422010	H-threadandbits_CP
3083422020	H-threadandbits_CP	3083422030	H-threadandbits_CP	3083422040	H-threadandbits_CP
3083422050	H-threadandbits_CP	3083422060	H-threadandbits_CP	3083422070	H-threadandbits_CP
3083422080	H-threadandbits_CP	3083422100	H-threadandbits_CP	3083422110	H-threadandbits_CP
3083422120	H-threadandbits_CP	3083422130	H-threadandbits_CP	3083422140	H-threadandbits_CP
3083422150	H-threadandbits_CP	3083422160	H-threadandbits_CP	3083422170	H-threadandbits_CP
3083422180	H-threadandbits_CP	3083422200	H-threadandbits_CP	3083422210	H-threadandbits_CP
3083422220	H-threadandbits_CP	3083422230	H-threadandbits_CP	3083422240	H-threadandbits_CP
3083422250	H-threadandbits_CP	3083422260	H-threadandbits_CP	3083422270	H-threadandbits_CP
3083422280	H-threadandbits_CP	3083422300	H-threadandbits_CP	3083422310	H-threadandbits_CP
3083422320	H-threadandbits_CP	3083422330	H-threadandbits_CP	3083422340	H-threadandbits_CP
3083422350	H-threadandbits_CP	3083422360	H-threadandbits_CP	3083422370	H-threadandbits_CP
3083422380	H-threadandbits_CP	3310101858	Whipchec_AC	3310101859	Whipchec_AC
3310101860	Whipchec_AC	3310102252	R25drillBitsCP	3310102253	R25drillBitsCP
3310102254	R25drillBitsCP	3310102255	R25drillBitsCP	3310102256	R25drillBitsCP
3310102257	R25drillBitsCP	3310102258	R25drillBitsCP	3310102259	R25drillBitsCP
3310102413	Integraldril22x82	3310102414	Integraldril22x82	3310102415	Integraldril22x82
3310102416	Integraldril22x82	3310102417	Integraldril22x82	3310102418	Integraldril22x82
3310102419	Integraldril22x82	3310102420	Integraldril22x82	3310102421	Integraldril22x82
3310102422	Integraldril22x82	3310102423	Integraldril22x82	3310102424	Integraldril22x82
3310102494	APP	3310102528	Carbidetippedh3_CP	3310102529	Carbidetippedh3_CP
3310102530	Carbidetippedh3_CP	3310102531	Carbidetippedh3_CP	3310102546	Whipchec_AC
3310102632		3310102637		3310103157	APP
3310103158	APP	3310103162		3310103163	
8099020249	Rockdrilloil_CP	8099020251	Rockdrilloil_CP	8900005001	Waterseperatorscp
8900005007	Lubricators_CP	8900005008		8900005009	
8900005010		8900005011		8900005012	
8900005020		8900005021		8900005022	
8900005023		8900005024		9000005000	Hoseclampsus_CP
9000005000	Hoseclampsforrubbert	9000005100	Hoseclampsus_CP	9000005100	Hoseclampsforrubbert
9000005200	Hoseclampsus_CP	9000026000	Clawcouplingsmaximu	9000026100	Clawcouplingsmaximu
9000026200	Clawcouplingsmaximu	9000026300	Clawcouplingsmaximu	9000026400	Clawcouplingsmaximu
9000030000	Clawcouplingsmaximu	9000030100	Clawcouplingsmaximu	9000030200	Clawcouplingsmaximu
9000030300	Clawcouplingsmaximu	9000030400	Clawcouplingsmaximu	9000030500	Clawcouplingsmaximu
9000030600	Clawcouplingsmaximu	9000030601	Clawcouplingsmaximu	9000030700	Clawcouplingsmaximu
9000030800	Clawcouplingsmaximu	9000030900	Clawcouplingsmaximu	9000031000	Clawcouplingsmaximu
9000031100	Clawcouplingsmaximu	9000031200	Clawcouplingsmaximu	9000031300	Clawcouplingsmaximu
9000031400	Clawcouplingsmaximu	9001000301	Clawcouplingsmaximu	9001000303	Clawcouplingsmaximu
9001000305	Clawcouplingsmaximu	9001000307	Clawcouplingsmaximu	9001000310	Clawcouplingsmaximu
9001000313	Clawcouplingsmaximu	9001000506	Clawcouplingsus_CP	9001000510	Clawcouplingsus_CP
9001000510	Clawcouplingsforrubbe	9001000511	Clawcouplingsus_CP	9001000511	Clawcouplingsforrubbe
9001000512	Clawcouplingsforrubbe	9001000512	Clawcouplingsus_CP	9001000513	Clawcouplingsforrubbe
9001000513	Clawcouplingsus_CP	9238981490	Rubberhoseaccessori	9246020367	Lubricators_CP

Part no	Part no	Part no	Part no	Part no	Part no
9246020368	Lubricators_CP	9246020369	Lubricators_CP	9246020438	Couplingsforrubberho:
9246020439	Couplingsforrubberho:	9246020440	Couplingsforrubberho:	9246020441	Couplingsforrubberho:
9246020442	Couplingsforrubberho:	9246020443	Couplingsforrubberho:	9246020664	Lubricators_CP
9246020731	Rubberhoseaccessori	9753216835	Rubberhoseaccessori	9753216836	Rubberhoseaccessori
C036717	APP	C036717		C068799	
C087316	rdr_cp_cp_01724	H0979432		H0979432	APP
P002149	APP	P002149		P103521	APP
P103521		R000088	APP	R000088	
R000142		R000142	APP	R000530	APP
R000530		R000537	APP	R000537	
R005584		R005584	APP	R005742	
R005742	APP	R041320		R041321	APP
R041321		R042161		R042161	APP
R075099	APP	R075099		R075265	APP
R075265		R075267		R075267	APP
R075419		R075419	APP	R075449	
R075449	APP	R075772		R075772	APP
R075777	APP	R075777		R075778	APP
R075778		R075780		R075780	APP
R075802		R075802	APP	R075826	APP
R075826		R075839		R075839	APP
R076172		R076172	APP	R076173	APP
R076173		R076194	APP	R076194	
R076263	APP	R076263		R076264	
R076266	APP	R076266		R076372	
R076793		R076793	APP	R077184	
R077184	APP	R079124	APP	R079124	
R085611		R085625	APP	R085625	
R085627	rdr_cp_cp_01724	R085671		R085671	APP
R085756		R085756	APP	R086608	
R086608	APP	R086611	APP	R086611	
R086612		R086612	APP	R086622	APP
R086622		R086623		R086623	APP
R086627	APP	R086627		R086628	
R086628	APP	R086654	APP	R086654	
R086733		R086733	APP	R091176	
R092420	rdr_cp_cp_01724	R093896		R093896	APP
R093897	APP	R093897		R093898	
R093898	APP	R093913	APP	R093913	
R098084	APP	R098084		R098085	
R099374		R099374	APP	R110317	APP
R110317		R137738	APP	R137738	

Go to Discount-Equipment.com to order your parts



www.discount-equipment.com

PARTS FINDER

**Search Website
by Part Number**



**Search Manual
Library For Parts
Manual & Lookup Part
Numbers – Purchase
or Request Quote**

Search Manuals

Enter your information to help us find the right parts manual for your equipment.

* Brand:

* Model:

* Serial:

* Part Number:

SEARCH

**Can't Find Part or
Manual? Request Help
by Manufacturer,
Model & Description**

Parts Order Form

Please fill in the following information to help us find the right parts for your equipment.

Manufacturer:	<input type="text"/>
Model:	<input type="text"/>
Description:	<input type="text"/>
Part Number:	<input type="text"/>
Quantity:	<input type="text"/>
Notes:	<input type="text"/>

Submit

Discount-Equipment.com is your online resource for quality parts & equipment.

Florida: **561-964-4949** Outside Florida TOLL FREE: **877-690-3101**

Need parts?

Click on this link: <http://www.discount-equipment.com/category/5443-parts/> and choose one of the options to help get the right parts and equipment you are looking for. Please have the machine model and serial number available in order to help us get you the correct parts. If you don't find the part on the website or on one of the online manuals, please fill out the request form and one of our experienced staff members will get back to you with a quote for the right part that your machine needs.

We sell worldwide for the brands: Genie, Terex, JLG, MultiQuip, Mikasa, Essick, Whiteman, Mayco, Toro Stone, Diamond Products, Generac Magnum, Airman, Haulotte, Barreto, Power Blanket, Nifty Lift, Atlas Copco, Chicago Pneumatic, Allmand, Miller Curber, Skyjack, Lull, Skytrak, Tsurumi, Husquvarna Target, Stow, Wacker, Sakai, Mi-T-M, Sullair, Basic, Dynapac, MBW, Weber, Bartell, Bennar Newman, Haulotte, Ditch Runner, Menegotti, Morrison, Contec, Buddy, Crown, Edco, Wyco, Bomag, Laymor, EZ Trench, Bil-Jax, F.S. Curtis, Gehl Pavers, Heli, Honda, ICS/PowerGrit, IHI, Partner, Imer, Clipper, MMD, Koshin, Rice, CH&E, General Equipment, Amida, Coleman, NAC, Gradall, Square Shooter, Kent, Stanley, Tamco, Toku, Hatz, Kohler, Robin, Wisconsin, Northrock, Oztec, Toker TK, Rol-Air, APT, Wylie, Ingersoll Rand / Doosan, Innovatech, Con X, Ammann, Mecalac, Makinex, Smith Surface Prep, Small Line, Wanco, Yanmar