

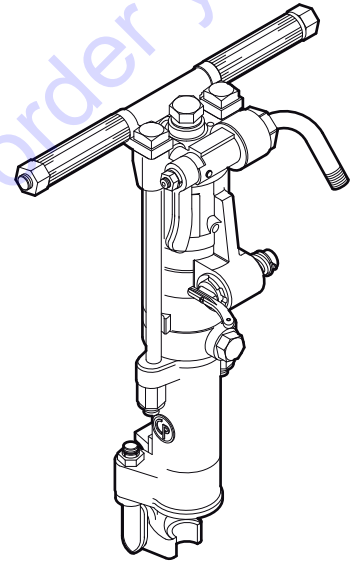


**Chicago Pneumatic Construction Tools**

# **Spare parts list**

**Handheld pneumatic drills**

**CP 0032**



**Discount  
Equipment**

[www.discount-equipment.com](http://www.discount-equipment.com)



Go to [Discount-Equipment.com](http://Discount-Equipment.com) to order your parts

**2009-05**

**No.9800 0518 93a**

© Copyright Chicago Pneumatic Construction Tools  
STOCKHÖLM • SWEDEN



# Contents

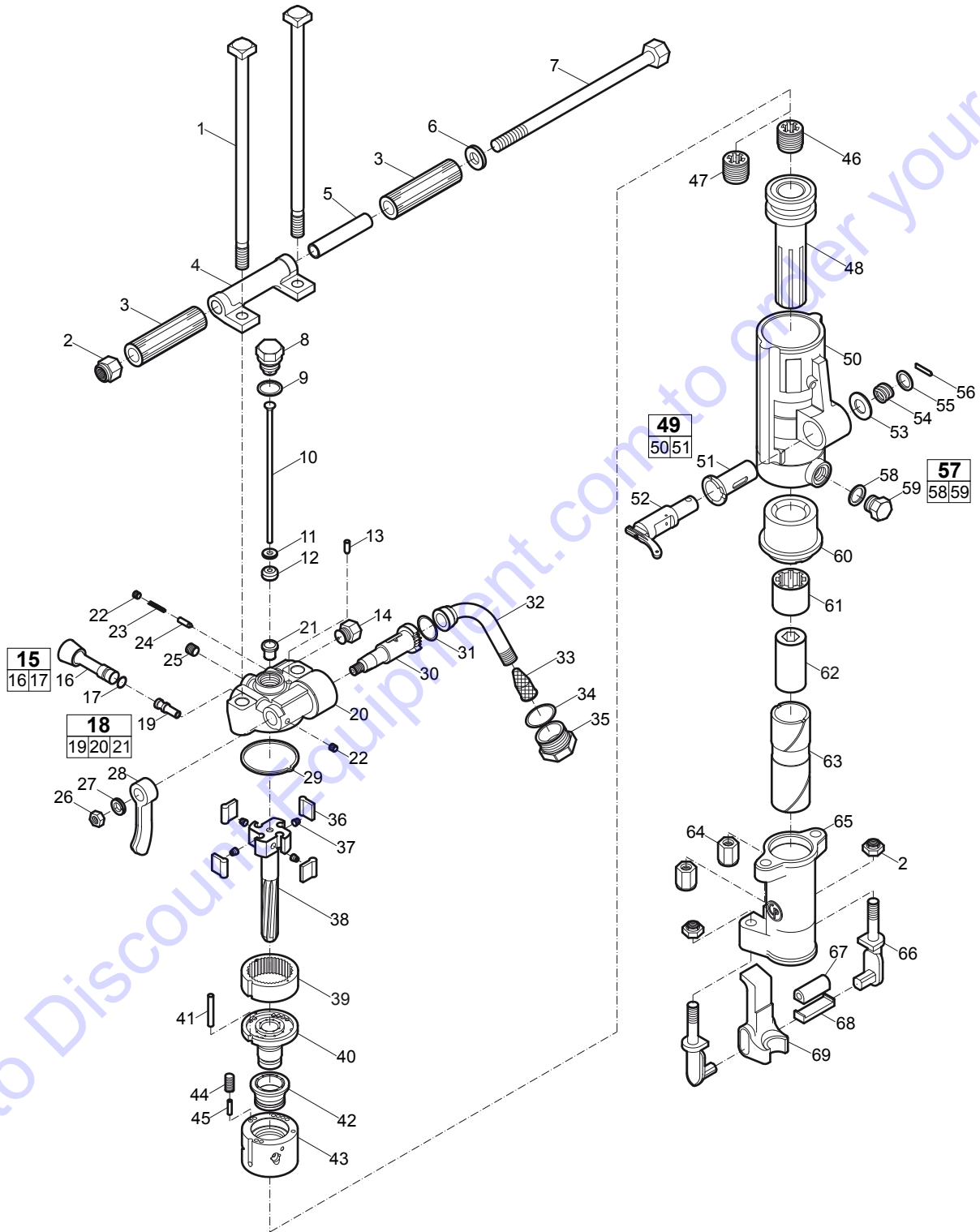
<b>Spare parts list</b> .....	4
CP 0032 A 7/8" x 3 1/4".....	4
CP 0032 A 7/8" x 4 1/4".....	8
CP 0032 AS 7/8" x 4 1/4".....	12
CP 0032 A 1" x 4 1/4".....	16
<b>Accessories</b> .....	19
Accessories.....	19
<b>Kits</b> .....	20
Water conversion kit.....	20

Go to Discount-Equipment.com to order your parts



# Spare parts list

## CP 0032 A 7/8" x 3 1/4"





No.	Description	Remark	Quantity	Part number
1	Bolt - Thru		2	R086623
2	Nut - Elastic stop	5/8" - 11	3	R005742
3	Grip - Handle		2	R075419
4	Bracket - Handle		1	R086608
5	Liner - Handle		1	R076172
6	Washer - Handle bolt key		1	R000142
7	Bolt - Handle		1	R076173
8	Plug - Air tube		1	R076793
9	Gasket - Tube plug		2	R000537
10	Tube - Air		1	R077184
11	Washer - Air tube		1	R075449
12	Rubber - Air tube		1	R075099
13	Pin - Valve plunger		1	R075802
14	Plug - Water valve		1	R076372
<b>15(16-17)</b>	<b>Water valve port plug, complete</b>		1	R079130
16	Water valve port plug		1	-
17	O-ring		1	C079489
<b>18(19-21)</b>	<b>Backhead, complete</b>		1	R087948
19	Bushing - Water valve		1	R098054
20	Backhead		1	-
21	Bushing - Blow tube		1	R137738
22	Plug - Pipe	1/8"	2	C068064
23	Spring - Valve plunger		1	R085671
24	Plunger - Throttle valve		1	R086627
25	Plug - Pipe	1/4"	1	C068799
26	Nut - Hexagon	1/2" -20	1	P002149
27	Lock washer - Valve handle	1/2"	1	C036717
28	Handle - Throttle valve		1	R079124
29	Gasket		1	H0979432
30	Valve - Throttle		1	R086628
31	O-ring		1	P103521
32	Swivel - Air inlet		1	R075265
33	Screen - Air inlet		1	R005584
34	O-ring		1	R110317
35	Nut - Air inlet swivel		1	R000530
36	Pawl		4	R075267
37	Spring - Pawl		4	R086654
38	Bar - Rifle		1	R086622
39	Ring - Ratchet		1	R076194
40	Bushing - Valve guide		1	R098085
41	Pin - Valve case dowel		1	R075772
42	Valve		1	R076263
43	Case - Valve		1	R076264
44	Plug - Oil regulating		1	R098084
45	Stem - Oil regulating		1	R085625
46	Nut - Rifle bar	Steel	1	R075839
47	Nut - Rifle bar	Bronze	1	R075826
48	Piston		1	R000088



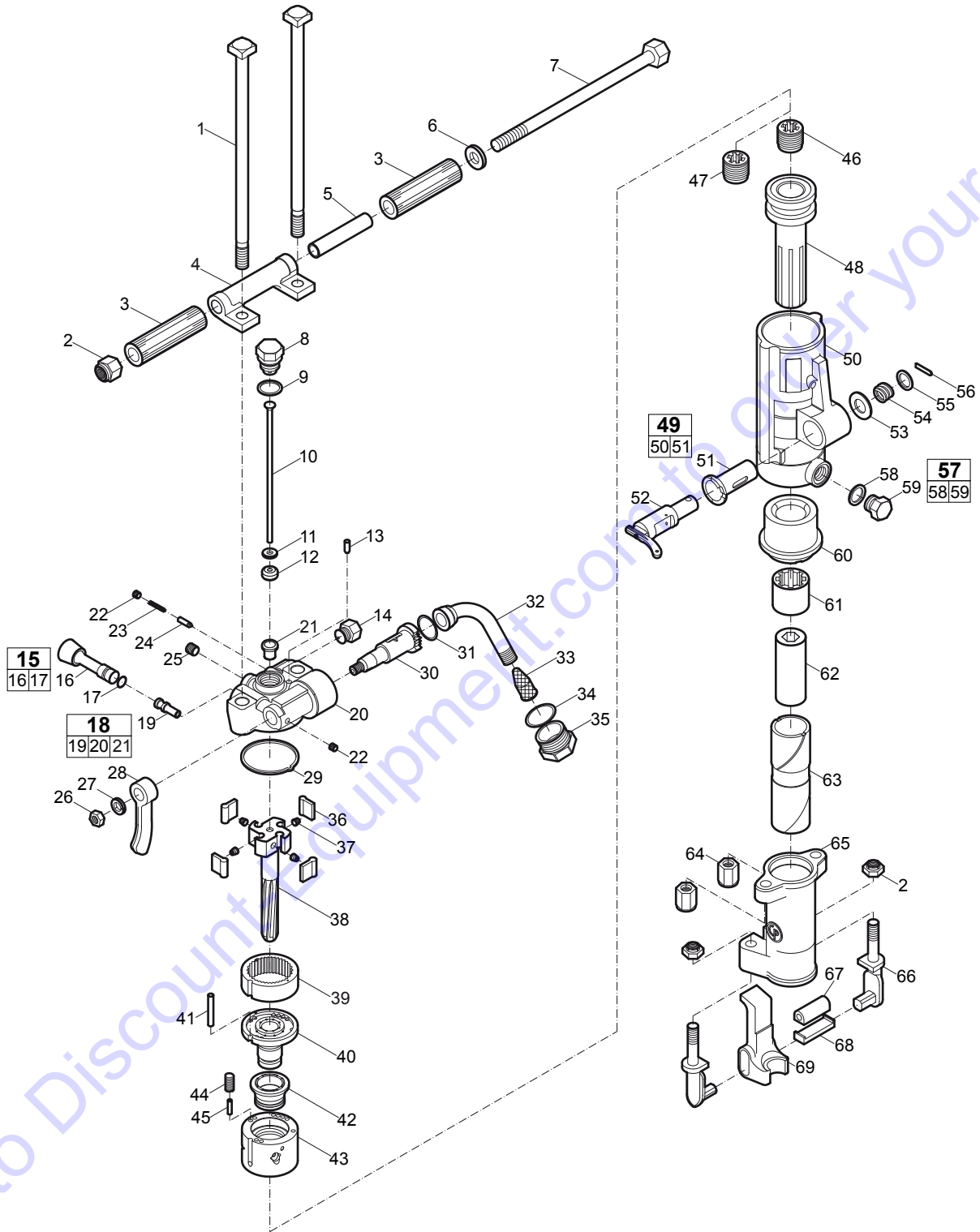
No.	Description	Remark	Quantity	Part number
<b>49(50-51)</b>	<b>Cylinder, complete</b>		1	R087990
50	Cylinder		1	-
51	Bushing - Blower valve		1	R086611
52	Valve - Blower		1	R086612
53	Washer - Blower valve		1	R075777
54	Spring - Blower valve		1	R075778
55	Washer - Valve spring		1	R075780
56	Pin - Spring		1	R076266
<b>57(58-59)</b>	<b>Oil plug, complete</b>		1	R085611
58	Gasket - Oil plug		1	R091176
59	Oil plug		1	-
60	Bushing - Cylinder		1	R042161
61	Nut - Chuck rotation		1	R086733
62	Chuck	7/8" x 3 1/4" (22 x 82.5 mm)	1	R099374
63	Sleeve - Chuck	7/8" x 3 1/4" (22 x 82.5 mm)	1	R041321
64	Nut - Thru bolt		2	R085756
65	Fronthead	7/8" x 3 1/4" (22 x 82.5 mm)	1	R041320
66	Tunnion - Retainer		2	R093896
67	Buffer - Retainer		1	R093897
68	Retainer - Latch shoe		1	R093898
69	Retainer	7/8" (22 mm)	1	R093913



Go to [Discount-Equipment.com](http://Discount-Equipment.com) to order your parts



# CP 0032 A 7/8" x 4 1/4"







No.	Description	Remark	Quantity	Part number
1	Bolt - Thru		2	R086623
2	Nut - Elastic stop	5/8" - 11	3	R005742
3	Grip - Handle		2	R075419
4	Bracket - Handle		1	R086608
5	Liner - Handle		1	R076172
6	Washer - Handle bolt key		1	R000142
7	Bolt - Handle		1	R076173
8	Plug - Air tube		1	R076793
9	Gasket - Tube plug		2	R000537
10	Tube - Air		1	R077184
11	Washer - Air tube		1	R075449
12	Rubber - Air tube		1	R075099
13	Pin - Valve plunger		1	R075802
14	Plug - Water valve		1	R076372
<b>15(16-17)</b>	<b>Water valve port plug, complete</b>		1	R079130
16	Water valve port plug		1	-
17	O-ring		1	C079489
<b>18(19-21)</b>	<b>Backhead, complete</b>		1	R087948
19	Bushing - Water valve		1	R098054
20	Backhead		1	-
21	Bushing - Blow tube		1	R137738
22	Plug - Pipe	1/8"	2	C068064
23	Spring - Valve plunger		1	R085671
24	Plunger - Throttle valve		1	R086627
25	Plug - Pipe	1/4"	1	C068799
26	Nut - Hexagon	1/2" -20	1	P002149
27	Lock washer - Valve handle	1/2"	1	C036717
28	Handle - Throttle valve		1	R079124
29	Gasket		1	H0979432
30	Valve - Throttle		1	R086628
31	O-ring		1	P103521
32	Swivel - Air inlet		1	R075265
33	Screen - Air inlet		1	R005584
34	O-ring		1	R110317
35	Nut - Air inlet swivel		1	R000530
36	Pawl		4	R075267
37	Spring - Pawl		4	R086654
38	Bar - Rifle		1	R086622
39	Ring - Ratchet		1	R076194
40	Bushing - Valve guide		1	R098085
41	Pin - Valve case dowel		1	R075772
42	Valve		1	R076263
43	Case - Valve		1	R076264
44	Plug - Oil regulating		1	R098084
45	Stem - Oil regulating		1	R085625
46	Nut - Rifle bar	Steel	1	R075839
47	Nut - Rifle bar	Bronze	1	R075826
48	Piston		1	R000088



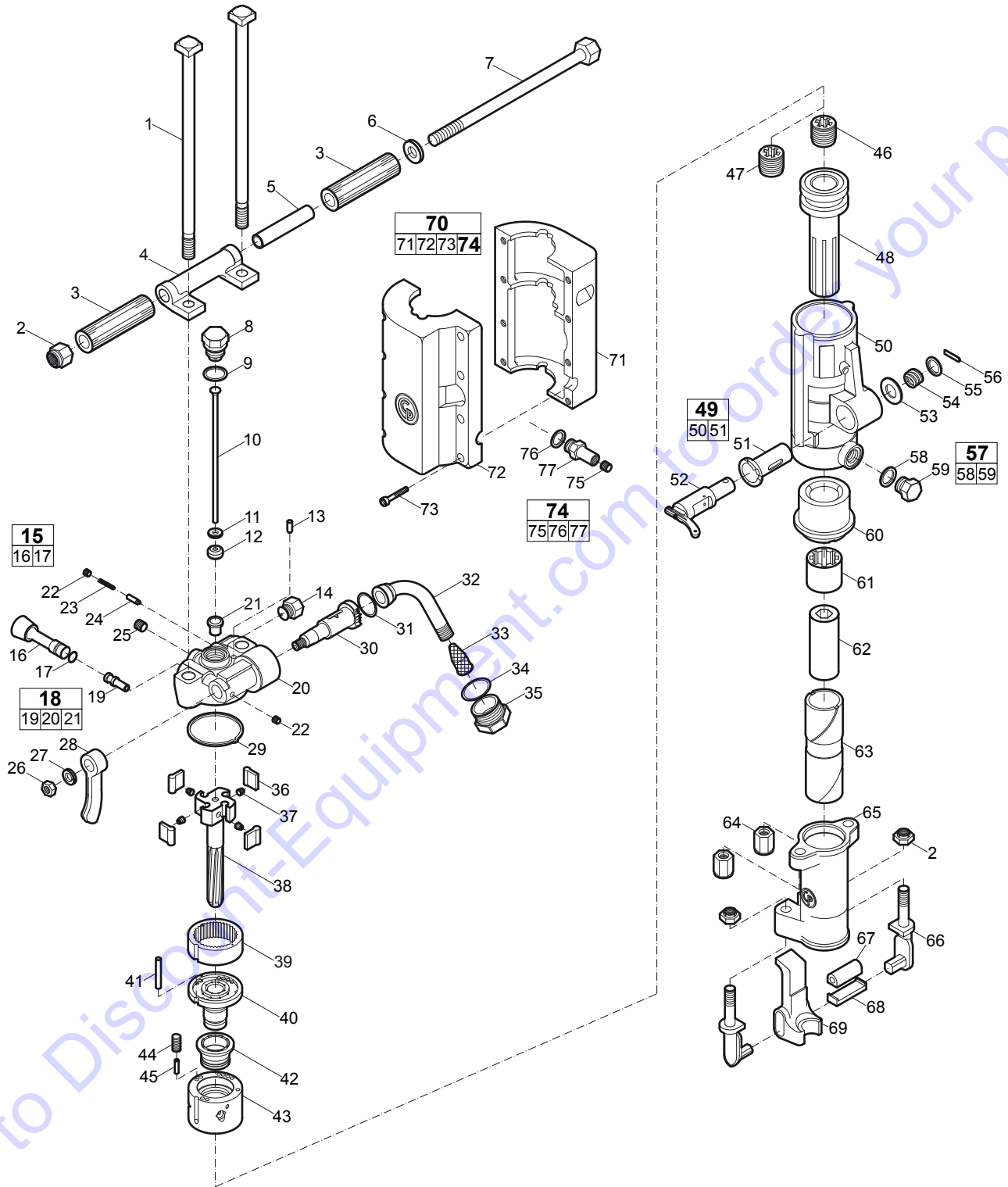
No.	Description	Remark	Quantity	Part number
<b>49(50-51)</b>	<b>Cylinder, complete</b>		1	R087990
50	Cylinder		1	-
51	Bushing - Blower valve		1	R086611
52	Valve - Blower		1	R086612
53	Washer - Blower valve		1	R075777
54	Spring - Blower valve		1	R075778
55	Washer - Valve spring		1	R075780
56	Pin - Spring		1	R076266
<b>57(58-59)</b>	<b>Oil plug, complete</b>		1	R085611
58	Gasket - Oil plug		1	R091176
59	Oil plug		1	-
60	Bushing - Cylinder		1	R042161
61	Nut - Chuck rotation		1	R086733
62	Chuck	7/8" x 4 1/4" (22 x 108 mm)	1	R093891
63	Sleeve - Chuck	7/8" x 4 1/4" (22 x 108 mm)	1	R041324
64	Nut - Thru bolt		2	R085756
65	Fronthead	7/8" x 4 1/4" (22 x 108 mm)	1	R041323
66	Tunnion - Retainer		2	R093896
67	Buffer - Retainer		1	R093897
68	Retainer - Latch shoe		1	R093898
69	Retainer	7/8" (22 mm)	1	R093913



Go to [Discount-Equipment.com](http://Discount-Equipment.com) to order your parts



# CP 0032 AS 7/8" x 4 1/4"





No.	Description	Remark	Quantity	Part number
1	Bolt - Thru		2	R086623
2	Nut - Elastic stop	5/8" - 11	3	R005742
3	Grip - Handle		2	R075419
4	Bracket - Handle		1	R086608
5	Liner - Handle		1	R076172
6	Washer - Handle bolt key		1	R000142
7	Bolt - Handle		1	R076173
8	Plug - Air tube		1	R076793
9	Gasket - Tube plug		2	R000537
10	Tube - Air		1	R077184
11	Washer - Air tube		1	R075449
12	Rubber - Air tube		1	R075099
13	Pin - Valve plunger		1	R075802
14	Plug - Water valve		1	R076372
<b>15(16-17)</b>	<b>Water valve port plug, complete</b>		1	R079130
16	Water valve port plug		1	-
17	O-ring		1	C079489
<b>18(19-21)</b>	<b>Backhead, complete</b>		1	R087948
19	Bushing - Water valve		1	R098054
20	Backhead		1	-
21	Bushing - Blow tube		1	R137738
22	Plug - Pipe	1/8"	2	C068064
23	Spring - Valve plunger		1	R085671
24	Plunger - Throttle valve		1	R086627
25	Plug - Pipe	1/4"	1	C068799
26	Nut - Hexagon	1/2" -20	1	P002149
27	Lock washer - Valve handle	1/2"	1	C036717
28	Handle - Throttle valve		1	R079124
29	Gasket		1	H0979432
30	Valve - Throttle		1	R086628
31	O-ring		1	P103521
32	Swivel - Air inlet		1	R075265
33	Screen - Air inlet		1	R005584
34	O-ring		1	R110317
35	Nut - Air inlet swivel		1	R000530
36	Pawl		4	R075267
37	Spring - Pawl		4	R086654
38	Bar - Rifle		1	R086622
39	Ring - Ratchet		1	R076194
40	Bushing - Valve guide		1	R098085
41	Pin - Valve case dowel		1	R075772
42	Valve		1	R076263
43	Case - Valve		1	R076264
44	Plug - Oil regulating		1	R098084
45	Stem - Oil regulating		1	R085625
46	Nut - Rifle bar	Steel	1	R075839
47	Nut - Rifle bar	Bronze	1	R075826
48	Piston		1	R000088



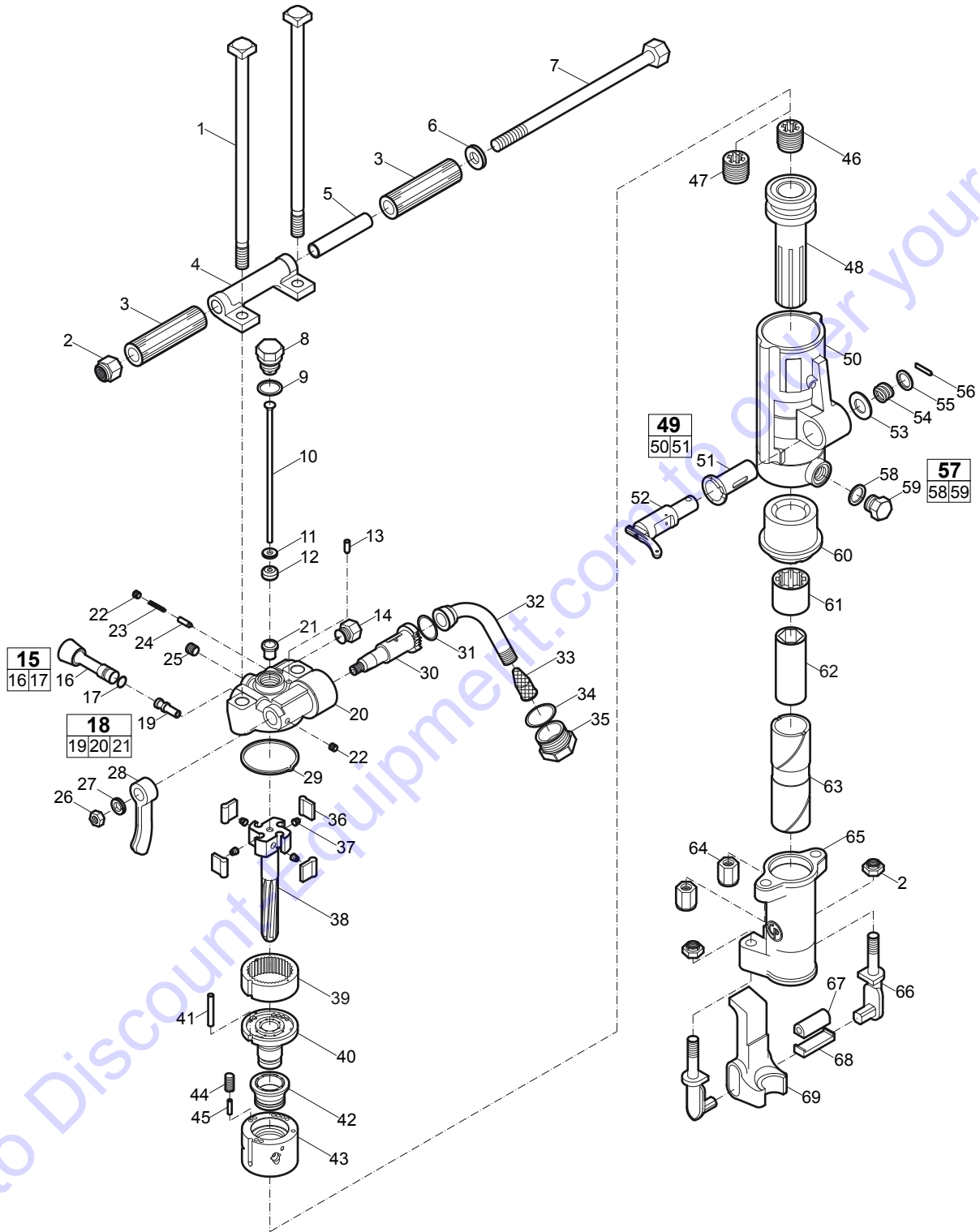
No.	Description	Remark	Quantity	Part number
<b>49(50-51)</b>	<b>Cylinder, complete</b>		1	R087990
50	Cylinder		1	-
51	Bushing - Blower valve		1	R086611
52	Valve - Blower		1	R086612
53	Washer - Blower valve		1	R075777
54	Spring - Blower valve		1	R075778
55	Washer - Valve spring		1	R075780
56	Pin - Spring		1	R076266
<b>57(58-59)</b>	<b>Oil plug, complete</b>		1	R085611
58	Gasket - Oil plug		1	R091176
59	Oil plug		1	-
60	Bushing - Cylinder		1	R042161
61	Nut - Chuck rotation		1	R086733
62	Chuck	7/8" x 4 1/4" (22 x 108 mm)	1	R093891
63	Sleeve - Chuck	7/8" x 4 1/4" (22 x 108 mm)	1	R041324
64	Nut - Thru bolt		2	R085756
65	Fronthead	7/8" x 4 1/4" (22 x 108 mm)	1	R041323
66	Tunnion - Retainer		2	R093896
67	Buffer - Retainer		1	R093897
68	Retainer - Latch shoe		1	R093898
69	Retainer	7/8" (22 mm)	1	R093913
<b>70(71-77)</b>	<b>Muffler, complete</b>		1	R125569
71	Hood - Muffler	Left	1	-
72	Hood - Muffler	Right	1	-
73	Screw	5/16 - 24 x 3/4"	8	R117415
<b>74(75-77)</b>	<b>Filet cap, complete</b>		1	R124145
75	Plug - Pipe	1/4"	1	C068799
76	Gasket - Oil plug		1	R091176
77	Filter - Cap		1	-



Go to [Discount-Equipment.com](http://Discount-Equipment.com) to order your parts



# CP 0032 A 1" x 4 1/4"







No.	Description	Remark	Quantity	Part number
1	Bolt - Thru		2	R086623
2	Nut - Elastic stop	5/8" - 11	3	R005742
3	Grip - Handle		2	R075419
4	Bracket - Handle		1	R086608
5	Liner - Handle		1	R076172
6	Washer - Handle bolt key		1	R000142
7	Bolt - Handle		1	R076173
8	Plug - Air tube		1	R076793
9	Gasket - Tube plug		2	R000537
10	Tube - Air		1	R077184
11	Washer - Air tube		1	R075449
12	Rubber - Air tube		1	R075099
13	Pin - Valve plunger		1	R075802
14	Plug - Water valve		1	R076372
<b>15(16-17)</b>	<b>Water valve port plug, complete</b>		1	R079130
16	Water valve port plug		1	-
17	O-ring		1	C079489
<b>18(19-21)</b>	<b>Backhead, complete</b>		1	R087948
19	Bushing - Water valve		1	R098054
20	Backhead		1	-
21	Bushing - Blow tube		1	R137738
22	Plug - Pipe	1/8"	2	C068064
23	Spring - Valve plunger		1	R085671
24	Plunger - Throttle valve		1	R086627
25	Plug - Pipe	1/4"	1	C068799
26	Nut - Hexagon	1/2" -20	1	P002149
27	Lock washer - Valve handle	1/2"	1	C036717
28	Handle - Throttle valve		1	R079124
29	Gasket		1	H0979432
30	Valve - Throttle		1	R086628
31	O-ring		1	P103521
32	Swivel - Air inlet		1	R075265
33	Screen - Air inlet		1	R005584
34	O-ring		1	R110317
35	Nut - Air inlet swivel		1	R000530
36	Pawl		4	R075267
37	Spring - Pawl		4	R086654
38	Bar - Rifle		1	R086622
39	Ring - Ratchet		1	R076194
40	Bushing - Valve guide		1	R098085
41	Pin - Valve case dowel		1	R075772
42	Valve		1	R076263
43	Case - Valve		1	R076264
44	Plug - Oil regulating		1	R098084
45	Stem - Oil regulating		1	R085625
46	Nut - Rifle bar	Steel	1	R075839
47	Nut - Rifle bar	Bronze	1	R075826
48	Piston		1	R000088



No.	Description	Remark	Quantity	Part number
<b>49(50-51)</b>	<b>Cylinder, complete</b>		1	R087990
50	Cylinder		1	-
51	Bushing - Blower valve		1	R086611
52	Valve - Blower		1	R086612
53	Washer - Blower valve		1	R075777
54	Spring - Blower valve		1	R075778
55	Washer - Valve spring		1	R075780
56	Pin - Spring		1	R076266
<b>57(58-59)</b>	<b>Oil plug, complete</b>		1	R085611
58	Gasket - Oil plug		1	R091176
59	Oil plug		1	-
60	Bushing - Cylinder		1	R042161
61	Nut - Chuck rotation		1	R086733
62	Chuck	1" x 4¼" (25 x 108 mm)	1	R093890
63	Sleeve - Chuck	1" x 4¼" (25 x 108 mm)	1	R041324
64	Nut - Thru bolt		2	R085756
65	Fronthead	1" x 4¼" (25 x 108 mm)	1	R041323
66	Tunnion - Retainer		2	R093896
67	Buffer - Retainer		1	R093897
68	Retainer - Latch shoe		1	R093898
69	Retainer	1" (25 mm)	1	R093895



## Accessories

### Accessories

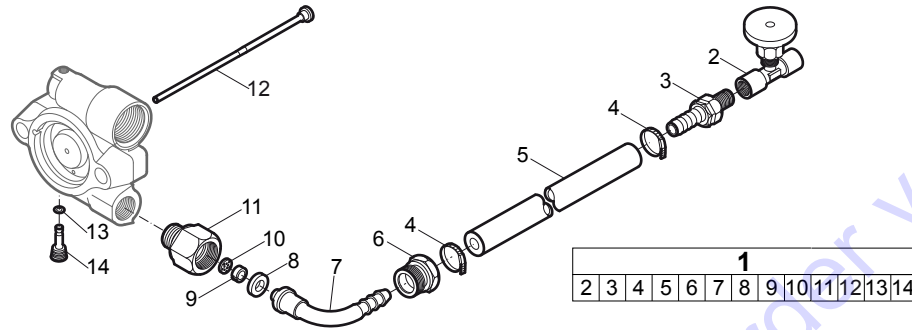
Description	Remark	Quantity	Part number
Water separator	European version, BSP	1	8900 0050 00
Water separator	US version, NPT	1	8900 0050 01
Lubricator 43	US version claw couplings, NPT	1	8900 0050 03
Lubricator 1300	European version claw couplings, BSP	1	8900 0050 02
RED-X, Air hose	Pre-mounted US 50 ft (15 m)	1	8900 0050 08
RED-X, Air hose	Pre-mounted 20 m (65 ft)	1	8900 0050 09
RED-X, Air hose	60 m (195 ft)	1	8900 0050 10

Go to Discount-Equipment.com to order your parts



# Kits

## Water conversion kit



No.	Description	Remark	Quantity	Part number
<b>1(2-14)</b>	<b>Water conversion kit</b>		1	R147457
2	Valve - Water		1	-
3	Nipple - Hose		1	-
4	Clamp - Punch lock		2	-
5	Hose	½" x 12"	1	-
6	Nut - Water inlet swivel		1	-
7	Swivel - Water inlet		1	-
8	Gasket - Swivel		1	-
9	Retainer - Water strainer		1	-
10	Strainer - Water		1	-
11	Spud - Water inlet		1	-
12	Tube - Water		1	R092420
13	O-ring		1	C087316
14	Plug - Blower port		1	R085627



Go to [Discount-Equipment.com](http://Discount-Equipment.com) to order your parts



Go to [Discount-Equipment.com](http://Discount-Equipment.com) to order your parts



Go to [Discount-Equipment.com](http://Discount-Equipment.com) to order your parts



[www.discount-equipment.com](http://www.discount-equipment.com)

**2009-05**

**No.9800 0518 93a**

© Copyright Chicago Pneumatic Construction Tools  
STOCKHÖLM • SWEDEN

**Chicago Pneumatic Construction Tools**

Go to Discount-Equipment.com to order your parts