



**Discount
Equipment**

www.discount-equipment.com

Filter	9870050700,PUN 000001 - 240000 9870050700,PN2 240390 - 242420 9870050700,PN
Identity	9870050700
Specifications	Shank Size (Metric): Hex 22 x 82.5 mm, Product number: 8900002001, Division: Portable Air, Product group: Pneumatic handheld, Product type: Pneumatic surface rock drills, Product: CP 0022 KL 22 x 82.5, Product Company: Chakan

PARTS FINDER

**Search Website
by Part Number**



**Search Manual
Library For Parts
Manual & Lookup Part
Numbers – Purchase
or Request Quote**

Search Manuals

Enter your information to help us find the right parts manual for your machine.

* Brand:

* Model:

* Serial:

* Part Number:

SEARCH

**Can't Find Part or
Manual? Request Help
by Manufacturer,
Model & Description**

Parts Order Form

Please fill in the following information to help us find the right part for your machine.

Manufacturer:	<input type="text"/>
Model:	<input type="text"/>
Description:	<input type="text"/>
Part Number:	<input type="text"/>
Quantity:	<input type="text"/>
Notes:	<input type="text"/>

Submit

Discount-Equipment.com is your online resource for quality parts & equipment.

Florida: **561-964-4949** Outside Florida TOLL FREE: **877-690-3101**

Need parts?

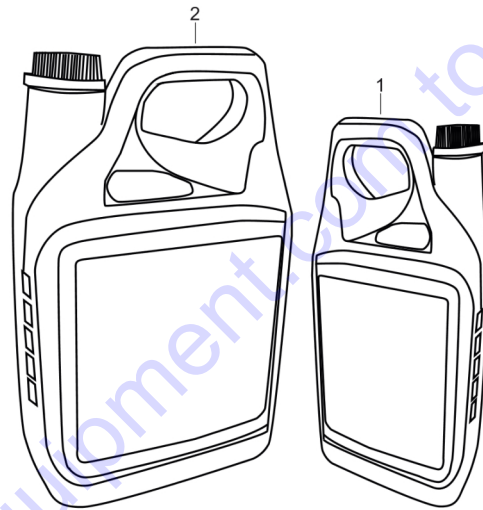
Click on this link: <http://www.discount-equipment.com/category/5443-parts/> and choose one of the options to help get the right parts and equipment you are looking for. Please have the machine model and serial number available in order to help us get you the correct parts. If you don't find the part on the website or on one of the online manuals, please fill out the request form and one of our experienced staff members will get back to you with a quote for the right part that your machine needs.

We sell worldwide for the brands: Genie, Terex, JLG, MultiQuip, Mikasa, Essick, Whiteman, Mayco, Toro Stone, Diamond Products, Generac Magnum, Airman, Haulotte, Barreto, Power Blanket, Nifty Lift, Atlas Copco, Chicago Pneumatic, Allmand, Miller Curber, Skyjack, Lull, Skytrak, Tsurumi, Husquvarna Target, Stow, Wacker, Sakai, Mi-T-M, Sullair, Basic, Dynapac, MBW, Weber, Bartell, Bennar Newman, Haulotte, Ditch Runner, Menegotti, Morrison, Contec, Buddy, Crown, Edco, Wyco, Bomag, Laymor, EZ Trench, Bil-Jax, F.S. Curtis, Gehl Pavers, Heli, Honda, ICS/PowerGrit, IHI, Partner, Imer, Clipper, MMD, Koshin, Rice, CH&E, General Equipment, Amida, Coleman, NAC, Gradall, Square Shooter, Kent, Stanley, Tamco, Toku, Hatz, Kohler, Robin, Wisconsin, Northrock, Oztec, Toker TK, Rol-Air, APT, Wylie, Ingersoll Rand / Doosan, Innovatech, Con X, Ammann, Mecalac, Makinex, Smith Surface Prep, Small Line, Wanco, Yanmar

CP Airolene plus rock drill oil	Rockdrilloil_CP
Genoil pneumatic (mineral)	APP
R25 drill bits	R25drillBitsCP
Integral Drill Steel Rod hex. Shank hex.22 mm (7/8") × 82.5 mm (3¼")	Integraldril22x82
H-Thread rods and bits	H-threadandbits_CP
Carbide tipped integral drill steels (whirl bits) - shank h7/8 x 3 1/4	Carbidetippedh3_CP
Recommended Spare Parts list - (CP 0022)	APP
CP 0022 KL ?" x 3¼"	CP
Breaker and hammer AIR-OIL	no-illustration
CP Integral & drill bits H22X108	APP

Go to Discount-Equipment.com to order your parts

	Oil Volume		Part Number
	l	US gal	
CP AIROLENE PLUS TOOL OIL			
5 Liter Container	5.0	1.32	8099 0202 49
4 x 5 Liter Container	20.0	5.28	8099 0202 51

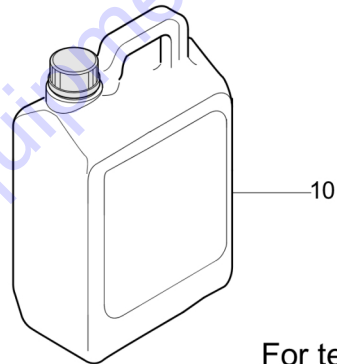
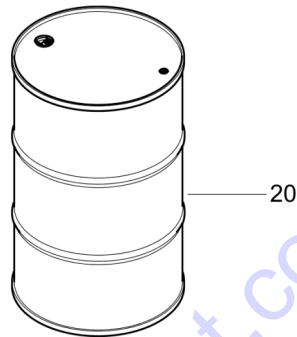


For tech. details check next page

Id	Qty	Number	Name	Specifications
1	1	8099020249	AIOLENE PLUS TOOL OIL - 5L	
2	1	8099020251	AIOLENE PLUS TOOL OIL - 4X5L	

Go to Discount-Equipment.com to order your parts

Description	Oil Volume		Weight		Parts number
	l	Gal	Kg		
5L Can	5	1.1	5.8	10	3310103157
210 Drum	210	55.4	231	20	3310103158

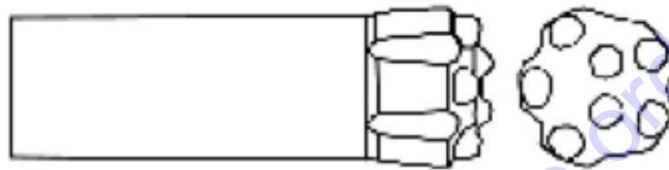


For tech. details check next page

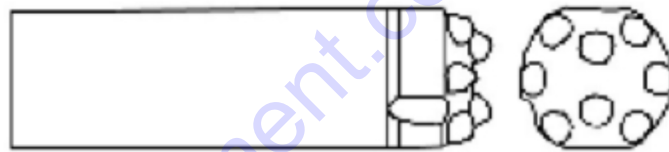
Id	Qty	Number	Name	Specifications
10	1	3310103157	GENOIL PNEUMATIC , 5L	
20	1	3310103158	GENOIL PNEUMATIC , 210L DRUM	

Go to Discount-Equipment.com to order your parts

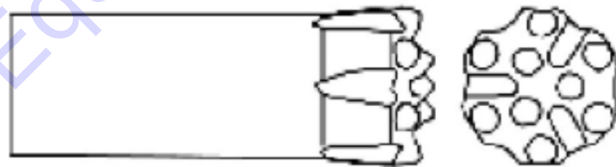
Description	Dia	Gauge carbide	Front carbide	Side flushing	Side flushing	Gauge angle	Part number
	in	in	in	in	in	degree	
Drill Bit R25 (1"), 8 Buttons	1 ⁵ / ₁₆	1/4" x 1/4"	1/16" x 1/4"	1/16" x 3/16"	1/16" x 3/16"	35°	3310 1022 52
Drill Bit R25 (1"), 8 Buttons	1 ³ / ₈	1/4" x 1/4"	1/16" x 1/4"	1/16" x 3/16"	1/16" x 3/16"	35°	3310 1022 53
Drill Bit R25 (1"), 7 Buttons	1 ⁵ / ₃₂	1/4" x 1/4"	1/16" x 1/4"	1/16" x 3/16"	1/16" x 3/16"	35°	3310 1022 54
Drill Bit R25 (1"), 9 Buttons	1 ¹ / ₂	1/4" x 5/16"	1/8" x 1/4"	1/16" x 3/16"	1/8" x 3/16"	35°	3310 1022 55
Drill Bit R25 (1"), 8 Buttons	1 ⁵ / ₈	1/4" x 5/16"	1/16" x 5/16"	1/16" x 3/16"	1/16" x 3/16"	35°	3310 1022 56
Drill Bit R25 (1"), 9 Buttons	1 ³ / ₄	1/4" x 3/8"	1/8" x 1/4"	1/16" x 3/16"	1/8" x 3/16"	35°	3310 1022 57
Drill Bit R25 (1"), 9 Buttons	1 ⁷ / ₈	1/4" x 3/8"	1/8" x 3/8"	1/16" x 3/16"	1/8" x 3/16"	35°	3310 1022 58
Drill Bit R25 (1"), 9 Buttons	2	1/4" x 3/8"	1/8" x 3/8"	1/16" x 3/16"	1/8" x 3/16"	35°	3310 1022 59



3



2



1

For tech. details check next page

Id	Qty	Number	Name	Specifications
1	1	3310102255	Drill Bit R25 (1"), 38 MM, 9 Buttons	
1	1	3310102257	Drill Bit R25 (1"), 45 MM, 9 Buttons	
1	1	3310102258	Drill Bit R25 (1"), 48 MM, 9 Buttons	
1	1	3310102259	Drill Bit R25 (1"), 51 MM, 9 Buttons	
2	1	3310102252	Drill Bit R25 (1"), 33 MM, 8 Buttons	
2	1	3310102253	Drill Bit R25 (1"), 35 MM, 8 Buttons	
2	1	3310102256	Drill Bit R25 (1"), 41 MM, 8 Buttons	
3	1	3310102254	Drill Bit R25 (1"), 37 MM, 7 Buttons	

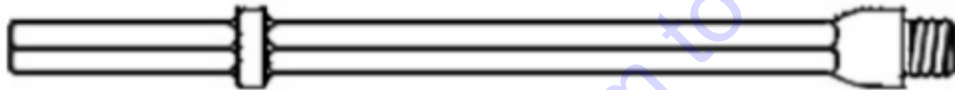
Go to Discount-Equipment.com to order your parts

Description	Length(L)	Bit Diameter	Part Number
	ft/in	in	
Integral Hex 7/8" X 3¼"	L 1'3¾"	1 5/8"	3310102413
Integral Hex 7/8" X 3¼"	L 1' 11 5/8"	1 5/8"	3310102414
Integral Hex 7/8" X 3¼"	L 2'7½"	1 9/16"	3310102415
Integral Hex 7/8" X 3¼"	L 2'7½"	1 ½"	3310102416
Integral Hex 7/8" X 3¼"	L 3'11¼"	1 9/16"	3310102417
Integral Hex 7/8" X 3¼"	L 3'11 ¼"	1 17/32"	3310102418
Integral Hex 7/8" X 3¼"	L 5'3"	1 17/32"	3310102419
Integral Hex 7/8" X 3¼"	L 5'3"	1 13/32"	3310102420
Integral Hex 7/8" X 3¼"	L 5'10 7/8"	1 17/32"	3310102421
Integral Hex 7/8" X 3¼"	L 5'10 7/8"	1 13/32"	3310102422
Integral Hex 7/8" X 3¼"	L 7'10 ½"	1 ½"	3310102423
Integral Hex 7/8" X 3¼"	L 10'6"	1 15/32"	3310102424

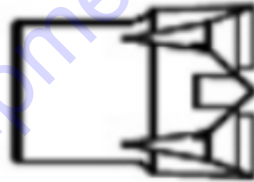
Id	Qty	Number	Name	Specifications
1	1	3310102413	IntegraLH 7/8" X 3¼", L1'3¼", ø1 5/8"	
1	1	3310102414	IntegraLH 7/8" X 3¼", L1'11 5/8", ø1 5/8"	
1	1	3310102415	IntegraLH 7/8" X 3¼", L2'7½", ø1 9/16"	
1	1	3310102416	IntegraLH 7/8" X 3¼", L2'7½", ø1 ½"	
1	1	3310102417	IntegraLH 7/8" X 3¼", L3'11¼", ø1 9/16"	
1	1	3310102418	IntegraLH 7/8" X 3¼", L3'11 ¼", ø1 17/32"	
1	1	3310102419	IntegraLH 7/8" X 3¼", L5'3", ø1 17/32"	
1	1	3310102420	IntegraLH 7/8" X 3¼", L5'3", ø1 13/32"	
1	1	3310102421	IntegraLH7/8"X3¼", L5'10 7/8", ø1 17/32"	
1	1	3310102422	IntegraLH 7/8"X3¼", L5'10 7/8", ø1 13/32"	
1	1	3310102423	IntegraLH 7/8" X 3¼", L7'10 ½", ø1 ½"	
1	1	3310102424	IntegraLH 7/8" X 3¼", L10'6", ø1 15/32"	

Go to Discount-Equipment.com to order your parts

Description	Length(L)		Part Number
	ft/in	in	
H-Thread rod H7/8	L 12"	3 1/4"	3083422100
H-Thread rod H7/9	L 18"	3 1/4"	3083422110
H-Thread rod H7/10	L 24"	3 1/4"	3083422120
H-Thread rod H7/11	L 30"	3 1/4"	3083422130
H-Thread rod H7/12	L 36"	3 1/4"	3083422140
H-Thread rod H7/13	L 48"	3 1/4"	3083422150
H-Thread rod H7/14	L 60"	3 1/4"	3083422160
H-Thread rod H7/15	L 72"	3 1/4"	3083422170
H-Thread rod H7/16	L 96"	3 1/4"	3083422180
H-Thread rod H7/17	L 12"	4 1/4"	3083422000
H-Thread rod H7/18	L 18"	4 1/4"	3083422010
H-Thread rod H7/19	L 24"	4 1/4"	3083422020
H-Thread rod H7/20	L 30"	4 1/4"	3083422030
H-Thread rod H7/21	L 36"	4 1/4"	3083422040
H-Thread rod H7/22	L 48"	4 1/4"	3083422050
H-Thread rod H7/23	L 60"	4 1/4"	3083422060
H-Thread rod H7/24	L 72"	4 1/4"	3083422070
H-Thread rod H7/25	L 96"	4 1/4"	3083422080
H-Thread rod H1	L 12"	4 1/4"	3083422200
H-Thread rod H1	L 18"	4 1/4"	3083422210
H-Thread rod H1	L 24"	4 1/4"	3083422220
H-Thread rod H1	L 30"	4 1/4"	3083422230
H-Thread rod H1	L 36"	4 1/4"	3083422240
H-Thread rod H1	L 48"	4 1/4"	3083422250
H-Thread rod H1	L 60"	4 1/4"	3083422260
H-Thread rod H1	L 72"	4 1/4"	3083422270
H-Thread rod H1	L 96"	4 1/4"	3083422280
Carbide cross bit(H Thread rod)	-	ø1 3/8"	3083422300
Carbide cross bit(H Thread rod)	-	ø1 1/2"	3083422310
Carbide cross bit(H Thread rod)	-	ø1 5/8"	3083422320
Carbide cross bit(H Thread rod)	-	ø1 3/4"	3083422330
Carbide cross bit(H Thread rod)	-	ø1 7/8"	3083422340
Carbide cross bit(H Thread rod)	-	ø2"	3083422350
Carbide cross bit(H Thread rod)	-	ø2 1/4"	3083422360
Carbide cross bit(H Thread rod)	-	ø2 1/2"	3083422370
Carbide cross bit(H Thread rod)	-	ø3"	3083422380



1

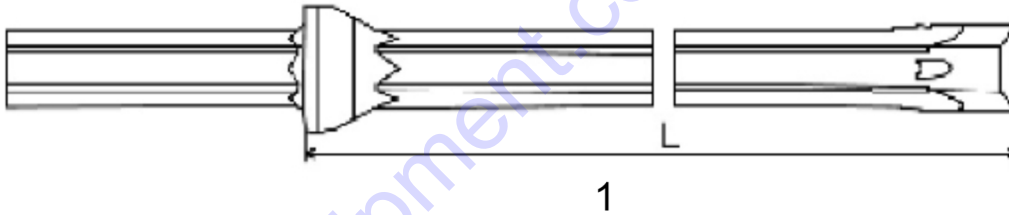


2

for tech. details check next page

Id	Qty	Number	Name	Specifications
1		3083422100	DRILL ROD (OBSOLETE)	
1		3083422110	DRILL ROD (OBSOLETE)	
1		3083422120	DRILL ROD (OBSOLETE)	
1		3083422130	H-Thread rod H7/8 X 3 1/4",L 30"	
1		3083422140	H-Thread rod Hex 22 x 82.5 mm	
1		3083422150	H-Thread rod H7/8 X 3 1/4",L 48"	
1		3083422160	DRILL ROD (OBSOLETE)	
1		3083422170	DRILL ROD (OBSOLETE)	
1		3083422180	H-Thread rod H7/8 X 3 1/4",L 96"	
1		3083422000	H-Thread rod Hex 22 x 108 mm	
1		3083422010	H-Thread rod Hex 22 x 108 mm	
1		3083422020	H-Thread rod Hex 22 x 108 mm	
1		3083422030	DRILL ROD (OBSOLETE)	
1		3083422040	H-Thread rod Hex 22 x 108 mm	
1		3083422050	H-Thread rod Hex 22 x 108 mm	
1		3083422060	H-Thread rod Hex 22 x 108 mm	
1		3083422070	H-Thread rod H7/8 X 4 1/4",L 72"	
1		3083422080	H-Thread rod Hex 22 x 108 mm	
1		3083422200	DRILL ROD (OBSOLETE)	
1		3083422210	H-Thread rod H1 X 4 1/4",L 18"	
1		3083422220	H-Thread rod Hex 25 x 108 mm	
1		3083422230	H-Thread rod Hex 25 x 108 mm	
1		3083422240	DRILL ROD (OBSOLETE)	
1		3083422250	DRILL ROD (OBSOLETE)	
1		3083422260	DRILL ROD (OBSOLETE)	
1		3083422270	H-Thread rod Hex 25 x 108 mm	
1		3083422280	H-Thread rod Hex 25 x 108 mm	
2		3083422300	Carbide cross bit (H-Thread rods)	
2		3083422310	Carbide cross bit (H-Thread rods)	
2		3083422320	TC CROSS BIT (OBSOLETE)	
2		3083422330	H-THREAD CARBIDE BIT 1 3/4"DIA	
2		3083422340	TC CROSS BIT (OBSOLETE)	
2		3083422350	Carbide cross bit (H-Thread rods)	
2		3083422360	Carbide cross bit (H-Thread rods)	
2		3083422370	TC CROSS BIT (OBSOLETE)	
2		3083422380	Carbide cross bit (H-Thread rods)	

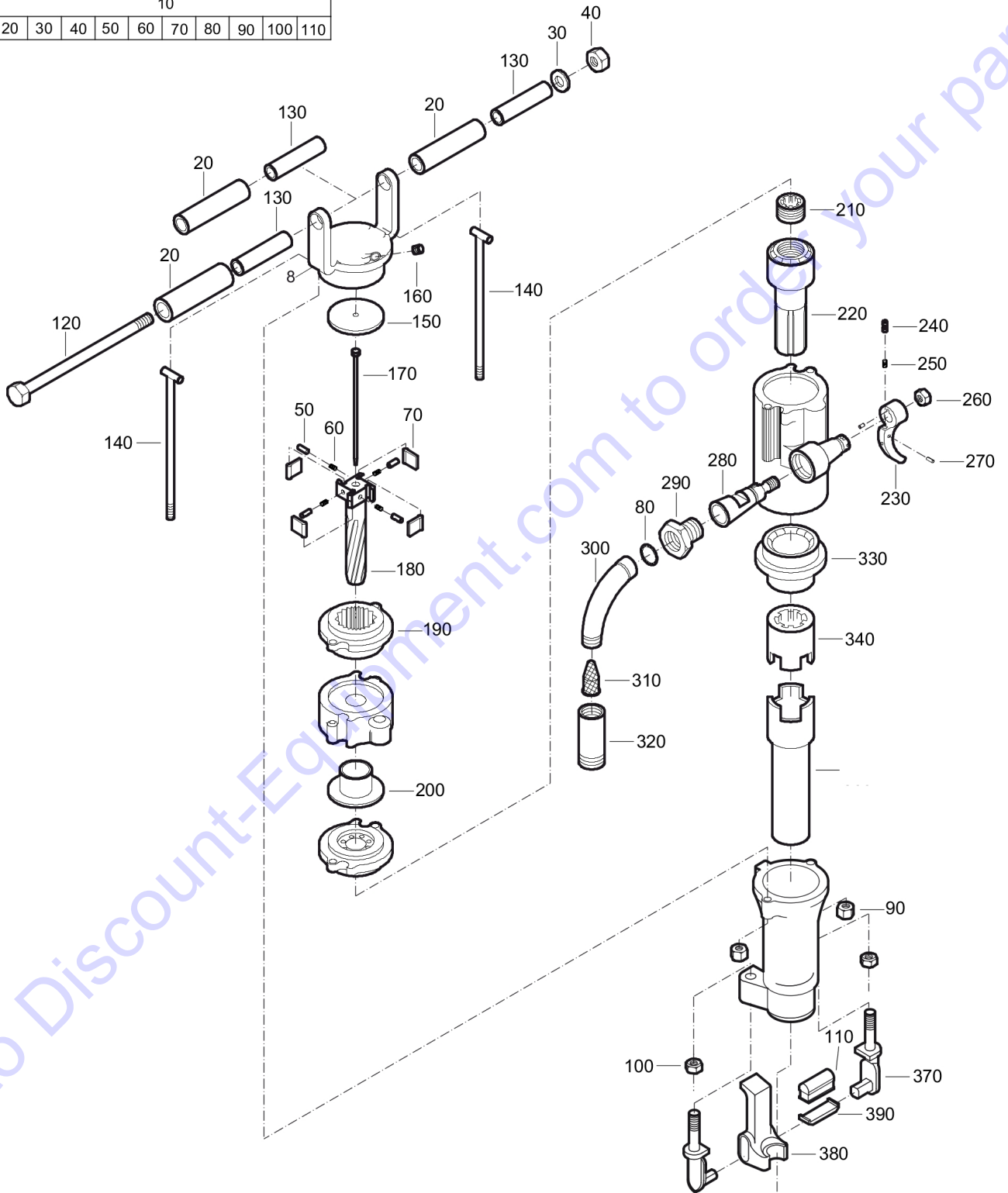
Description	Length(L)	Bit Diameter	Part Number
	ft/in	in	
Integral H7/8 X 3 1/4"	L 9"	ø 5/8"	3083420000
Integral H7/8 X 3 1/4"	L 12"	ø 5/8"	3083420010
Integral H7/8 X 3 1/4"	L 18"	ø 5/8"	3083420020
Integral H7/8 X 3 1/4"	L 9"	ø 3/4"	3083420100
Integral H7/8 X 3 1/4"	L 12"	ø 3/4"	3083420110
Integral H7/8 X 3 1/4"	L 18"	ø 3/4"	3083420120
Integral H7/8 X 3 1/4"	L 24"	ø 3/4"	3083420130
Integral H7/8 X 3 1/4"	L 30"	ø 3/4"	3083420140
Integral H7/8 X 3 1/4"	L 9"	ø 7/8"	3083420200
Integral H7/8 X 3 1/4"	L 12"	ø 7/8"	3083420210
Integral H7/8 X 3 1/4"	L 18"	ø 7/8"	3083420220
Integral H7/8 X 3 1/4"	L 24"	ø 7/8"	3083420230
Integral H7/8 X 3 1/4"	L 30"	ø 7/8"	3083420240
Integral H7/8 X 3 1/4"	L 9"	ø 1"	3083420300
Integral H7/8 X 3 1/4"	L 12"	ø 1"	3083420310
Integral H7/8 X 3 1/4"	L 18"	ø 1"	3083420320
Integral H7/8 X 3 1/4"	L 24"	ø 1"	3083420330
Integral H7/8 X 3 1/4"	L 30"	ø 1"	3083420340
Integral H7/8 X 3 1/4"	L 12"	ø 1 1/8"	3083420400
Integral H7/8 X 3 1/4"	L 18"	ø 1 1/8"	3083420410
Integral H7/8 X 3 1/4"	L 24"	ø 1 1/8"	3083420420
Integral H7/8 X 3 1/4"	L 30"	ø 1 1/8"	3083420430
Integral H7/8 X 3 1/4"	L 12"	ø 1 1/4"	3083420500
Integral H7/8 X 3 1/4"	L 18"	ø 1 1/4"	3083420510
Integral H7/8 X 3 1/4"	L 24"	ø 1 1/4"	3083420520
Integral H7/8 X 3 1/4"	L 30"	ø 1 1/4"	3083420530
Integral H7/8 X 3 1/4"	L 12"	ø 1 3/8"	3083420600
Integral H7/8 X 3 1/4"	L 18"	ø 1 3/8"	3083420610
Integral H7/8 X 3 1/4"	L 24"	ø 1 3/8"	3083420620
Integral H7/8 X 3 1/4"	L 30"	ø 1 3/8"	3083420630
Integral H7/8 X 3 1/4"	L 12"	ø 1 1/2"	3083420700
Integral H7/8 X 3 1/4"	L 18"	ø 1 1/2"	3083420710
Integral H7/8 X 3 1/4"	L 24"	ø 1 1/2"	3083420720
Integral H7/8 X 3 1/4"	L 30"	ø 1 1/2"	3083420730
Integral H7/8 X 3 1/4"	L 12"	ø1 5/8"	3310102528
Integral H7/8 X 3 1/4"	L 18"	ø1 5/8"	3310102529
Integral H7/8 X 3 1/4"	L 24"	ø1 5/8"	3310102530
Integral H7/8 X 3 1/4"	L 30"	ø1 5/8"	3310102531



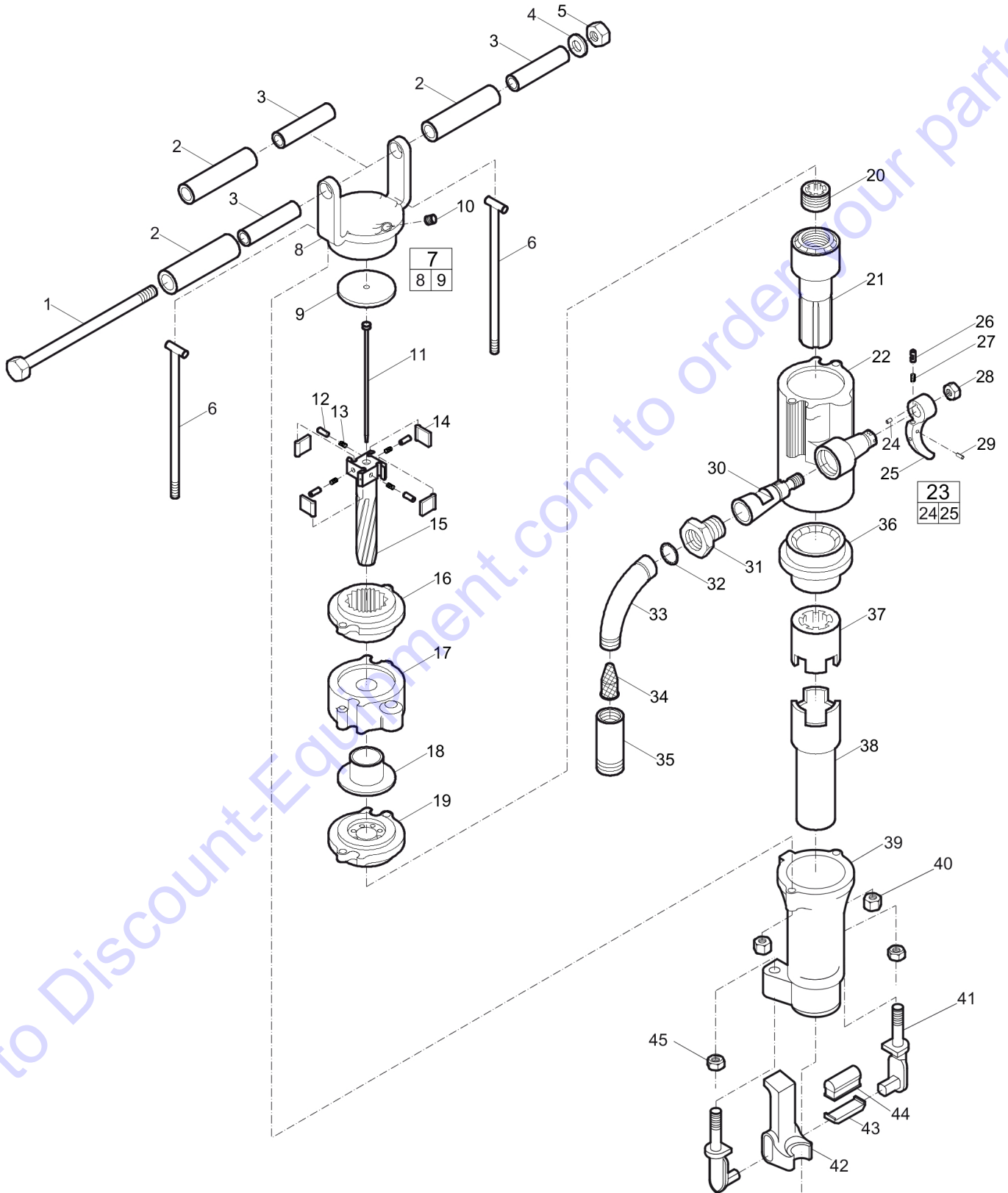
for tech. details check next page

Id	Qty	Number	Name	Specifications
1	1	3083420000	INTEGRAL (OBSOLETE)	
1	1	3083420010	DRILL-INTEGRAL 5/8 IN X9 IN	
1	1	3083420020	DRILL-INTEGRAL 5/8 IN X14 IN	
1	1	3083420100	INTEGRAL (OBSOLETE)	
1	1	3083420110	DRILL-INTEGRAL 3/4 IN X9 IN	
1	1	3083420120	DRILL-INTEGRAL 3/4 IN X14 IN	
1	1	3083420130	Integral Hex 22 x 82.5 MM (7/8	
1	1	3083420140	Integral Hex 22 x 82.5 MM (7/8	
1	1	3083420200	Integral Hex 22 x 82.5 MM (7/8	
1	1	3083420210	Integral Hex 22 x 82.5 MM (7/8	
1	1	3083420220	DRILL-INTEGRAL 7/8 IN X14 IN	
1	1	3083420230	Integral Hex 22 x 82.5 MM (7/8	
1	1	3083420240	Integral Hex 22 x 82.5 MM (7/8	
1	1	3083420300	Integral Hex 22 x 82.5 MM (7/8	
1	1	3083420310	DRILL-INTEGRAL 1 inchX9 inch	
1	1	3083420320	DRILL-INTEGRAL 1 IN X14 IN	
1	1	3083420330	DRILL-INTEGRAL 1 IN X20 IN	
1	1	3083420340	Integral Hex 22 x 82.5 MM (7/8	
1	1	3083420400	Integral Hex 22 x 82.5 MM (7/8	
1	1	3083420410	DRILL-INTEGRAL 1 1/8 IN X14 IN	
1	1	3083420420	Integral Hex 22 x 82.5 MM (7/8	
1	1	3083420430	Integral Hex 22 x 82.5 MM (7/8	
1	1	3083420500	Integral Hex 22 x 82.5 MM (7/8	
1	1	3083420510	Integral Hex 22 x 82.5 mm	
1	1	3083420520	Integral Hex 22 x 82.5 mm	
1	1	3083420530	Integral Hex 22 x 82.5 mm	
1	1	3083420600	Integral Hex 22 x 82.5 MM (7/8	
1	1	3083420610	Integral Hex 22 x 82.5 MM (7/8	
1	1	3083420620	Integral Hex 22 x 82.5 MM (7/8	
1	1	3083420630	Integral Hex 22 x 82.5 MM (7/8	
1	1	3083420700	Integral Hex 22 x 82.5 MM (7/8	
1	1	3083420710	Integral Hex 22 x 82.5 MM (7/8	
1	1	3083420720	Integral Hex 22 x 82.5 MM (7/8	
1	1	3083420730	INTEGRAL (OBSOLETE)	
1	1	3310102528	Integral H7/8X3 1/4",L 11 13/16",ø1 5/8"	
1	1	3310102529	Integral H7/8X3 1/4",L 1' 6 1/8",ø1 5/8"	
1	1	3310102530	Integral H7/8 X 3 1/4", L 2' ",ø 1 5/8"	
1	1	3310102531	Integral H7/8X3 1/4",L2'5 15/16",ø1 5/8"	

10										
20	30	40	50	60	70	80	90	100	110	



Id	Qty	Number	Name	Specifications
10	1	3310102493	SERVICE KIT - CP 0022	
20	3	R000692	HANDLE-SHORT	
30	1	R000142	WASHER	
40	1	R005742	ELASTC STOP NUT	
50	4	R009224	Plunger - Pawl	
60	4	R000619	SPRING	
70	4	R000617	Pawl	
80	1	C106884	O-ring	
90	2	R085164	LONG NUT	
100	2	Q2122000	NUT - ELASTIC STOP	
110	1	3111005700	Rubber buffer	
-			Recommended Parts list	
120	1	R075584	Bolt - Handle	
130	3	R000694	Liner - Handle	
140	2	R075601	THRU BOLT	
150	1	R075580	WASHER-BACKHEAD	
160	1	C077941	Plug - pipe, Ø 3/8 in., Ø 9.5 mm	
170	1	R075598	ROD-AIR	
180	1	R075586	BAR-RIFLE	
190	1	R075585	Ring - Ratchet	
200	1	R075581	VALVE	
210	1	R075587	Nut - Rifle	
220	1	R000037	PISTON	
230	1	3310102617	Throttle handle, complete	
240	1	R075590	PLUNGER-THROTTLE HAN	
250	1	R000528	Spring - Throttle valve	
260	1	R075593	Nut - Elastic stop	
270	1	P089767	Pin - Throttle handle, 3/32" x 5/16"	
280	1	R075588	VALVE-THROTTLE	
290	2	R075599	Nut - Air swivel	
300	1	F814720	Swivel - Air inlet	
310	1	R005584	Screen - Air inlet	
320	1	R005744	Sleeve - Air inlet	
330	1	R075578	BUSHING-CYLINDER	
340	1	R075597	Nut - Chuck rotation	
350	1	R075596	CHUCK-HEX	
370	2	3303005216	Trunnion	
380	1	3303005218	LATCH - RETAINER	
390	1	3111005600	BUFF.PLATE	



Id	Qty	Number	Name	Specifications
1	1	R075584	Bolt - Handle	
2	3	R000692	HANDLE-SHORT	
3	3	R000694	Liner - Handle	
4	1	R000142	WASHER	
5	1	R005742	ELASTC STOP NUT	
6	2	R075601	THRU BOLT	
7	1	F035373	Backhead, complete	
8	1		Backhead	
9	1	R075580	WASHER-BACKHEAD	
10	1	C077941	Plug - pipe, Ø 3/8 in., Ø 9.5 mm	
11	1	R075598	ROD-AIR	
12	4	R009224	Plunger - Pawl	
13	4	R000619	SPRING	
14	4	R000617	Pawl	
15	1	R075586	BAR-RIFLE	
16	1	R075585	Ring - Ratchet	
17	1	R075583	Case - Valve	
18	1	R075581	VALVE	
19	1	R075582	SEAT-VALVE	
20	1	R075587	Nut - Rifle	
21	1	R000037	PISTON	
22	1	R075577	CYLINDER	
23	1	3310102617	Throttle handle, complete	
24	1	R075592	KEY-THROTTLE HANDLE	
25	1		Handle - Throttle valve	
26	1	R075590	PLUNGER-THROTTLE HAN	
27	1	R000528	Spring - Throttle valve	
28	1	R075593	Nut - Elastic stop	
29	1	P089767	Pin - Throttle handle, 3/32" x 5/16"	
30	1	R075588	VALVE-THROTTLE	
31	1	R075599	Nut - Air swivel	
32	1	C106884	O-ring	
33	1	F814720	Swivel - Air inlet	
34	1	R005584	Screen - Air inlet	
35	1	R005744	Sleeve - Air inlet	
36	1	R075578	BUSHING-CYLINDER	
37	1	R075597	Nut - Chuck rotation	
38	1	R075596	CHUCK-HEX	
39	1	3303005212	FRONTHEAD	
40	2	R085164	LONG NUT	
41	2	3303005216	Trunnion	
42	1	3303005218	LATCH - RETAINER	
43	1	3111005600	BUFF.PLATE	
44	1	3111005700	Rubber buffer	
45	2	Q2122000	NUT - ELASTIC STOP	

NO EXPLODED VIEW
AVAILABLE
FOR THIS BOM

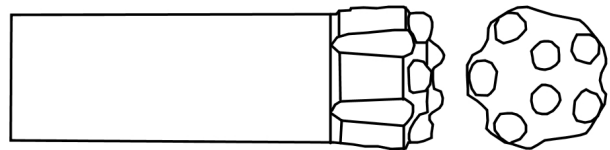
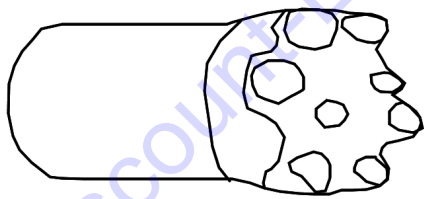
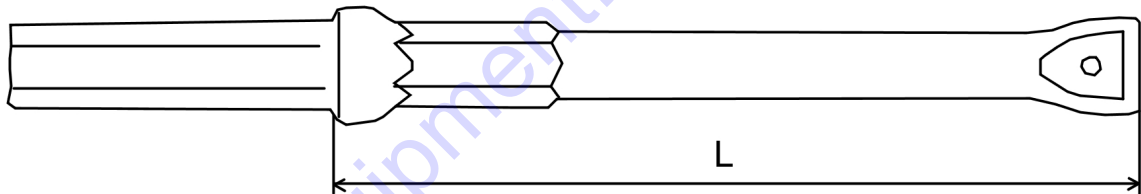
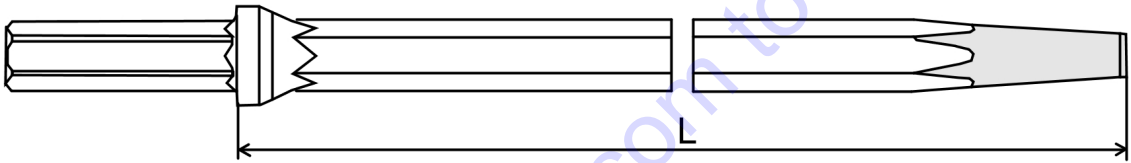
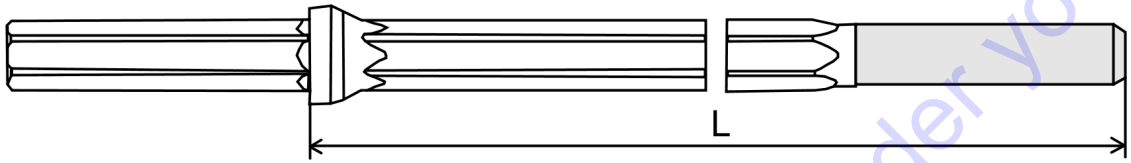
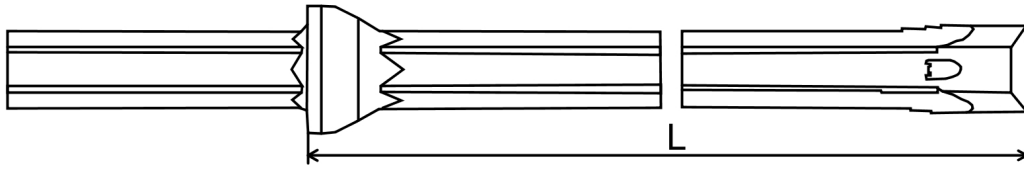
Go to Discount-Equipment.com to order your parts

Id	Qty	Number	Name	Specifications
20		0211136400	HEX SOCK. SCREW	
-	2	3371803075	HOSE 1.6 M	
-	1	3371805503	SEAL 8/14X3.5/5	
-	1	8461020853	TEX 3, 19x50	
-	2	3371803050	0.4 m 1/2" hose	
-	1	9030206900	Water flushing hose BBC/BBD/RH (PM)	
1	1	8099020240	Breaker and hammer AIR-OIL,0.25 l, 0.06 US gallon	
-	1		Vibration handle kit	
-	2	3121029200	NUT	
-	1	3371896061	LABEL	
-	2	0661100039	SEAL WASHER M20	
-	1	3378512072	DUST SEAL	
-	2	0661100027	SEALING WASHER 21.5X28.5	
-	2	0663614100	O-RING	
22		3371820266	GUIDE SOCKET	
-	1	3371820702	O-RING 24X1.5	
-	1	3371814700	O-RING 8.3X2.4	
-	2	3111002000	PAWL	
-	2	3121034300	SIDEBOLT	
-	2	0663211400	O ring	
-	1	9030204300	HOSE	
-	2	0663211200	O-ring, 5.3 x 2.4 mm (70 shore), 0.21 x 0.09 in. (70 shore)	
-	2	3121087200	NUT	
19	1		Nut - Hexagon	
-	1		Nut - Hexagon	
2	1	8099020236	LUBRICATING OIL	
-	1	3371896062	LABEL	
-	4	3371820703	O-RING 18X2	
23		3371820267	SPOOL SOCKET	
-	1	3378512073	SHAFT SEAL	
-	1	3371805133	Q.R. coupling 08 female	
-	1	3371897166	Product model label	
-	1	0663212300	O-RING	
-	2	4950026400	DIAPHRAGME	
-	1	0663613400	O-ring NBR	
-	1	3371896097	ATLAS COPCO LOGO	
-	2		SIDE BOLT	
-	2	3111002300	SPRING	
-	1	3083322000	MOIL POINT	
20	1		Rod - Threaded	
-	1		Rod - Threaded	
-	2	0663212200	O-RING	
-	1	8202510205	LUBRICATOR BLG 30	
-	2	3121002100	PIN	
-	2		SIDE BOLT	

Id	Qty	Number	Name	Specifications
3	20	8099020281	Breaker and hammer AIR-OIL, 20 x 1 l	bottles (pack)
-	4	3378512086	O-RING	
-	2	3371897155	CP logo	
-	1	3371897082	PRODUCT LABEL "LPD-T"	
-	1	3371897165	Product model label	
-	1	3371805134	Q.R. coupling 08 male	
-	1	3330002200	SLID.O-RING	
-	2	3330008100	STOP	
-	1	3371820704	O-RING 30X2	
-	1	3371814701	Back-up ring	
-	1	3371896000	LABEL	
-	2		NUT	
-	4	0663212400	O-ring 17,3x2,4	
-	1	8202510239	CLG 30	
6	1		Gasket - governor housing	
-	2		Gasket - governor housing	
4	1	8099020202	Breaker and hammer air-oil 5l	
-	1	3083322200	NARROW CHISEL	
32		0603420010	FITTING:G 1/2 MALEX G 1/2 MALE	
-	2	0663212000	O-ring 13,3x2,4	
-	2	4090020100	Seal	
-	1	3371805733	PROTECTIVE CAP 1/2" FEMA	
-	1	3371897168	LABEL	
-	1	3371897083	PRODUCT LABEL "LPD-RV"	
-	2	3371897156	CP logo	
-	1	3371896113	Label	
-	1	3371897286	Product label	
33		3371818013	T-CONNECTION BSP 4.2	
-	1	0335350152	SNAP RING DIA12-DIA12.4	
-	1	3371897164	Product label	
-	1		O-RING	
7	1		O-RING	
5	4	8099020285	BREAKER AND HAMMER AIR-OIL	(4x5L)
-	1	8099020240	Breaker and hammer AIR-OIL,0.25 l,	0.06 US gallon
-	4	0211124401	SCREW	
-	2	0663212500	O-RING	
-	1	3371820705	O-RING 32X2	
-	6	0663614400	O-ring, 99.5 x 3.0 mm, 3.92 x 0.12 in.	
-	1	3371897080	Product label	
-	1	3371897304	Product label	
-	1	3371896006	Label	
-	1	3371805732	PROTECTIVE CAP 1/2" MALE	
34		3371818020	T-CONNECTION BSP 3.4	
-	1	3371897167	Product label	
-	1	3371897163	Product label	
-	1	3310120600	STORAGE BOX	

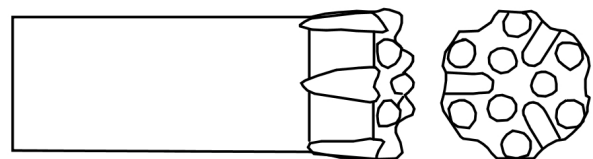
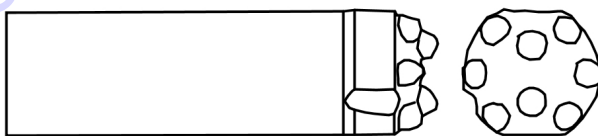
Id	Qty	Number	Name	Specifications
-	1	8092011082	VAM 5A WATER SEPARATOR	
-	1	3371820762	O-RING 25.12X1.78	
-	1		O-RING	
-	3	0663212700	O-RING	
-	1	0663212800	O-RING	
-	1	0663212600	O RING	
-	1	3371897081	Product label	
-	2	3371814703	O-RING 24.2X3	
-	1	3371897287	Product label	
-	1	3371897270	Label HBP	
-	1	3330002500	WASHER	
-	1		Pin - governor push	
-	3	0663213200	O-RING	
-	1	3371801087	7 m Twin extension hose	
-	2	0663613600	O-RING 59.5X3	
35		0603420010	FITTING:G 1/2 MALEX G 1/2 MALE	
-	1	0335350801	SNAP RING DIA 45	
-	1	3371820176	SEAL 32/40X6	
-	1	3371803052	7 m 1/2" hose	
-	4	0663614800	O-ring, 119.5 x 3.0 mm, 4.70 x 0.12 in.	
51		0211141000	HEX SOCK. SCREW M12X75-12.9	
-	2	3371814710	O-RING 33X2	
-	1		Pin - governor weight	
-	1	9030204100	RUBBER HOSE	
-	1	0663213500	O-RING 44.2X3	
-	1	0663212900	O-RING	
-	4	0211133000	SCREW M8X50 DIN 912 12.9 FZB	
-	1	0663614200	ORING ID 89.5MM	
-	2	0663213300	O-ring	
-	1	3106967000	PACKING	
58		3371817721	SCREW M10X20	
-	4	3330005700	VALVE SEAT	
-	1	3371820708	SEAL 32/45X7/10	
-	1	3371802109	Label	
-	1	3371896047	LABEL	
-	2	0663612000	O-ring, 13.1 x 1.6 mm (70 shore), 0.52 x 0.06 in. (70 shore)	
-	2	0663612900	O-RING	
-	1		Blade - rotor	
-	1	9000031300	CLAW COUPLING	
-	1	3371814709	SEAL RING 8,7/13X1	
-	2	3330000500	SEAL.WASHER	
-	1	3371896048	LABEL	
-	1	3106967500	WASHER	
-	4	3330005800	FLAP	
79		0211136300	HEX SOCK. SCREW	
-	1	0663918400	O-ring	
-	1	9000019700	HOSE CLAMP	

Id	Qty	Number	Name	Specifications
-	1		O-RING	
-	1	3371815738	LOCKING RING	
-	1	0502222100	BALL BEARING	
-	1	3371802108	Label	
-	1	3371802107	Label	
-	1	3371814754	LOCKING RING 38	
-	2	0335351602	SNAP RING DIA8-DIA7.6	
-	1	0663613900	O RING	
-	1	3121001200	PACKING	
-	1	3000012100	RUBB.PACKING	
-	1		Gasket - seal plate	
-	1	0663614000	O RING 79.5X3	
-	4	0101414000	Pin	
62		3377000432	ADAPTOR 08-06	
-	1	3330000400	WASHER	
-	4	0663215200	O-ring, 124.3 x 5.7 mm, 4.89 x 0.22 in.	
-	1	3371820700	SHIM PS 8X14X0.5	
-	1	3371802106	Label	
-	1	3121007200	RING	
-	1	3115098280	VALVE BODY	
-	1	9238270790	TEMPLATE	
-	1	3100964600	PACKING	
-	1		O-RING	
-	1	3371814748	O-RING 25X1.5	
-	1		Seal - oil	
-	1	3100965300	PACKING	
-	1	3000964600	Packing	
-	1	3371814749	O-RING 13X1.5	
-	1	3371802105	Label	
-	4	0147137202	Screw, M10 x 75 mm	
-	1	0504221700	Bearing	
70		0211136300	HEX SOCK. SCREW	
-	1	0518125500	SEAL RING	
-	2	3371820706	O-RING 22X1.5	
-	1		BRAKERING	
-	1	3162097600	GASKET	
-	1	3121054500	PACKING	
-	2	3132017300	PACKING	
-	2	3371814750	O-RING 12X1.5	
-	1	3330002300	NUT	
-	1	3371814751	O-RING 69X1.5	
-	1	3371817757	O-RING 6X2	
-	1	3376100084	O-RING 8X2	
-	1	3371820718	SEAL RING 9/14X1	
-	1	3371820725	O-RING 82X1.5	
-	1	3371820726	O-RING 16X1.5	
-	1	3371820167	BACK-UP WASHER 32.7/45X	
-	1	3371820727	LOCKING RING	



4

5



6

7

Id	Qty	Number	Name	Specifications
1	1	3310101999	Integral H22X108, L400 MM, ø41 MM	
1	1	3310101951	Integral H22X108, L600 MM, ø41 MM	
1	1	3310101952	Integral H22X108, L800 MM, ø40 MM	
1	1	3310102001	Integral H22X108, L800 MM, ø38 MM	
1	1	3310101953	Integral H22X108, L1200 MM, ø40 MM	
1	1	3310102000	Integral H22X108, L1200 MM, ø39 MM	
1	1	3310101954	Integral H22X108, L1600 MM, ø39 MM	
1	1	3310102003	Integral H22X108, L1600 MM, ø36 MM	
1	1	3310101955	Integral H22X108, L1800 MM, ø39 MM	
1	1	3310102004	Integral H22X108, L1800 MM, ø36 MM	
1	1	3310101956	Integral H22X108, L2400 MM, ø38 MM	
1	1	3310101957	Integral H22X108, L3200 MM, ø37 MM	
1	1	3310102002	Integral H22X108, L4000 MM, ø36 MM	
1	1	3310102005	Integral H22X108, L4800 MM, ø35 MM	
1	1	3310101969	Integral H22X108, L5600 MM, ø34 MM	
1	1	3310101972	Integral H22X108, L6400 MM, ø33 MM	
1	1	3310101976	Integral H22X108, L7200 MM, Å,32 MM	
1	1	3310101981	Integral H22X108, L8000 MM, ø31 MM	
1	1	3310102260	Integral H22X108, L8800 MM, ø30 MM	
1	1	3310101986	Integral H22X108, L9600 MM, ø29 MM	
1	1	3310101958	Integral H22X108, L400 MM, ø35 MM	
1	1	3310101959	Integral H22X108, L600 MM, ø35 MM	
1	1	3310101960	Integral H22X108, L800 MM, Å,34 MM	
1	1	3310101962	Integral H22X108, L1200 MM, ø34 MM	
1	1	3310101973	Integral H22X108, L1200 MM, ø33 MM	
1	1	3310101963	Integral H22X108, L1600 MM, ø33 MM	
1	1	3310101971	Integral H22X108, L1800 MM, ø33 MM	
1	1	3310101970	Integral H22X108, L2000 MM, ø33 MM	
1	1	3310101975	Integral H22X108, L2400 MM, ø32 MM	
1	1	3310101978	Integral H22X108, L3200 MM, ø32 MM	
1	1	3310101979	Integral H22X108, L3200 MM, ø31 MM	
1	1	3310101983	Integral H22X108, L4000 MM, ø30 MM	
1	1	3310101984	Integral H22X108, L4800 MM, ø29 MM	
1	1	3310101988	Integral H22X108, L5600 MM, ø28 MM	
1	1	3310101990	Integral H22X108, L6400 MM, ø27 MM	
1	1	3310101993	Integral H22X108, L7200 MM, ø26 MM	
1	1	3310101994	Integral H22X108, L8000 MM, ø26 MM	
1	1	3310101964	Integral H22X108, L400 MM, ø34 MM	
1	1	3310101961	Integral H22X108, L800 MM, ø33 MM	
1	1	3310101974	Integral H22X108, L1200 MM, ø32 MM	
1	1	3310101980	Integral H22X108, L1600 MM, ø31 MM	
1	1	3310101977	Integral H22X108, L2000 MM, ø32 MM	
1	1	3310101982	Integral H22X108, L2000 MM, ø30 MM	
1	1	3310101965	Integral H22X108, L400 MM, ø29 MM	
1	1	3310101992	Integral H22X108, L600 MM, ø27 MM	
1	1	3310101966	Integral H22X108, L800 MM, ø28 MM	
1	1	3310101985	Integral H22X108, L800 MM, ø29 MM	

Id	Qty	Number	Name	Specifications
1	1	3310101967	Integral H22X108, L1600 MM, ø27 MM	
1	1	3310101989	Integral H22X108, L1600 MM, ø28 MM	
1	1	3310101968	Integral H22X108, L2400 MM, ø27 MM	
1	1	3310101995	Integral H22X108, L2400 MM, ø26 MM	
1	1	3310101991	Integral H22X108, L3200 MM, ø27 MM	
1	1	3310101987	Integral H22X108, L3200 MM, ø28 MM	
1	1	3310101996	Integral H22X108, L400 MM, ø24 MM	
1	1	3310101997	Integral H22X108, L800 MM, ø23 MM	
1	1	3310101998	Integral H22X108, L1200 MM, ø23 MM	
2	1	3310102238	Shank End Rod R25 (1"), H22X108, L265 MM	
2	1	3310102239	Shank End Rod R25 (1"), H22X108, L610 MM	
2	1	3310102240	Shank End Rod R25 (1"), H22X108, L760 MM	
2	1	3310102241	Shank End Rod R25 (1"), H22X108, L1000 MM	
2	1	3310102242	Shank End Rod R25 (1"), H22X108, L1200 MM	
2	1	3310102243	Shank End Rod R25 (1"), H22X108, L1830 MM	
2	1	3310102244	Shank End Rod R25 (1"), H22X108, L2435 MM	
2	1	3310102245	Shank End Rod R25 (1"), H22X108, L3200 MM	
2	1	3310102246	Shank End Rod R25 (1"), H22X108, L3600 MM	
3	1	3310101937	Tapered Rods 610 mm, 11°, H22 x 108mm	
3	1	3310101938	Tapered Rods 1220 mm, 11°, H22 x 108mm	
3	1	3310101939	Tapered Rods 1525 mm, 11°, H22 x 108mm	
3	1	3310101940	Tapered Rods 1830 mm, 11°, H22 x 108mm	
3	1	3310101941	Tapered Rods 2000 mm, 11°, H22 x 108mm	
3	1	3310101942	Tapered Rods 2435 mm, 11°, H22 x 108mm	
3	1	3310101943	Tapered Rods 2600 mm, 11°, H22 x 108mm	
3	1	3310101944	Tapered Rods 3200 mm, 11°, H22 x 108mm	
3	1	3310102261	Tapered Rods 610 mm, 12°, H22 x 108mm	
3	1	3310102262	Tapered Rods 1220 mm, 12°, H22 x 108mm	
3	1	3310102263	Tapered Rods 1525 mm, 12°, H22 x 108mm	
3	1	3310102264	Tapered Rods 1830 mm, 12°, H22 x 108mm	
3	1	3310102265	Tapered Rods 2000 mm, 12°, H22 x 108mm	
3	1	3310102266	Tapered Rods 2435 mm, 12°, H22 x 108mm	

Id	Qty	Number	Name	Specifications
3	1	3310102267	Tapered Rods 2600 mm, 12°, H22 x 108mm	
3	1	3310102268	Tapered Rods 3200 mm, 12°, H22 x 108mm	
4	1	3310101945	Tapered Bits 11°,32mm,8Buttons,H22x108mm	
4	1	3310101946	Tapered Bits 11°,33mm,8Buttons,H22x108mm	
4	1	3310101947	Tapered Bits 11°,34mm,8Buttons,H22x108mm	
4	1	3310101948	Tapered Bits 11°,36mm,7Buttons,H22x108mm	
4	1	3310101949	Tapered Bits 11°,38mm,7Buttons,H22x108mm	
4	1	3310101950	TAPERED BITS (11°, 41MM, 7 BUTTONS)	
4	1	3310102269	Tapered Bits 12°,32mm,8Buttons,H22x108mm	
4	1	3310102270	Tapered Bits 12°,33mm,8Buttons,H22x108mm	
4	1	3310102271	Tapered Bits 12°,34mm,8Buttons,H22x108mm	
4	1	3310102272	Tapered Bits 12°,36mm,7Buttons,H22x108mm	
4	1	3310102273	TAPERED BITS (12°, 38MM, 7 BUTTONS)	
4	1	3310102274	Tapered Bits 12°,41mm,7Buttons,H22x108mm	
5	1	3310102254	Drill Bit R25 (1"), 37 MM, 7 Buttons	
6	1	3310102252	Drill Bit R25 (1"), 33 MM, 8 Buttons	
6	1	3310102253	Drill Bit R25 (1"), 35 MM, 8 Buttons	
6	1	3310102256	Drill Bit R25 (1"), 41 MM, 8 Buttons	
7	1	3310102255	Drill Bit R25 (1"), 38 MM, 9 Buttons	
7	1	3310102257	Drill Bit R25 (1"), 45 MM, 9 Buttons	
7	1	3310102258	Drill Bit R25 (1"), 48 MM, 9 Buttons	
7	1	3310102259	Drill Bit R25 (1"), 51 MM, 9 Buttons	
8	1	3310102284	Plug Hole Rod H22x108 MM, 200 MM, ø17 MM	
8	1	3310102285	Plug Hole Rod H22x108 MM, 250 MM, ø17 MM	
8	1	3310102286	Plug Hole Rod H22x108 MM, 300 MM, ø17 MM	
8	1	3310102287	Plug Hole Rod H22x108 MM, 200 MM, ø20 MM	
8	1	3310102288	Plug Hole Rod H22x108 MM, 250 MM, ø20 MM	
8	1	3310102289	Plug Hole Rod H22x108 MM, 300 MM, ø20 MM	
8	1	3310102290	Plug Hole Rod H22x108 MM, 200 MM, ø23 MM	
8	1	3310102291	Plug Hole Rod H22x108 MM, 250 MM, ø23 MM	
8	1	3310102292	Plug Hole Rod H22x108 MM, 300 MM, ø23 MM	

Part no	Part no	Part no	Part no	Part no	Part no
	no-illustration		no-illustration		no-illustration
	no-illustration		no-illustration		no-illustration
	no-illustration		no-illustration		CP
	no-illustration		no-illustration		no-illustration
	APP		no-illustration		no-illustration
	no-illustration		no-illustration		no-illustration
	no-illustration		no-illustration		CP
	no-illustration		no-illustration		no-illustration
0101414000	no-illustration	0147137202	no-illustration	0211124401	no-illustration
0211133000	no-illustration	0211136300	no-illustration	0211136300	no-illustration
0211136400	no-illustration	0211141000	no-illustration	0335350152	no-illustration
0335350801	no-illustration	0335351602	no-illustration	0502222100	no-illustration
0504221700	no-illustration	0518125500	no-illustration	0603420010	no-illustration
0603420010	no-illustration	0661100027	no-illustration	0661100039	no-illustration
0663211200	no-illustration	0663211400	no-illustration	0663212000	no-illustration
0663212200	no-illustration	0663212300	no-illustration	0663212400	no-illustration
0663212500	no-illustration	0663212600	no-illustration	0663212700	no-illustration
0663212800	no-illustration	0663212900	no-illustration	0663213200	no-illustration
0663213300	no-illustration	0663213500	no-illustration	0663215200	no-illustration
0663612000	no-illustration	0663612900	no-illustration	0663613400	no-illustration
0663613600	no-illustration	0663613900	no-illustration	0663614000	no-illustration
0663614100	no-illustration	0663614200	no-illustration	0663614400	no-illustration
0663614800	no-illustration	0663918400	no-illustration	3000012100	no-illustration
3000964600	no-illustration	3083322000	no-illustration	3083322200	no-illustration
3083420000	Carbidetippedh3_CP	3083420010	Carbidetippedh3_CP	3083420020	Carbidetippedh3_CP
3083420100	Carbidetippedh3_CP	3083420110	Carbidetippedh3_CP	3083420120	Carbidetippedh3_CP
3083420130	Carbidetippedh3_CP	3083420140	Carbidetippedh3_CP	3083420200	Carbidetippedh3_CP
3083420210	Carbidetippedh3_CP	3083420220	Carbidetippedh3_CP	3083420230	Carbidetippedh3_CP
3083420240	Carbidetippedh3_CP	3083420300	Carbidetippedh3_CP	3083420310	Carbidetippedh3_CP
3083420320	Carbidetippedh3_CP	3083420330	Carbidetippedh3_CP	3083420340	Carbidetippedh3_CP
3083420400	Carbidetippedh3_CP	3083420410	Carbidetippedh3_CP	3083420420	Carbidetippedh3_CP
3083420430	Carbidetippedh3_CP	3083420500	Carbidetippedh3_CP	3083420510	Carbidetippedh3_CP
3083420520	Carbidetippedh3_CP	3083420530	Carbidetippedh3_CP	3083420600	Carbidetippedh3_CP
3083420610	Carbidetippedh3_CP	3083420620	Carbidetippedh3_CP	3083420630	Carbidetippedh3_CP
3083420700	Carbidetippedh3_CP	3083420710	Carbidetippedh3_CP	3083420720	Carbidetippedh3_CP
3083420730	Carbidetippedh3_CP	3083422000	H-threadandbits_CP	3083422010	H-threadandbits_CP
3083422020	H-threadandbits_CP	3083422030	H-threadandbits_CP	3083422040	H-threadandbits_CP
3083422050	H-threadandbits_CP	3083422060	H-threadandbits_CP	3083422070	H-threadandbits_CP
3083422080	H-threadandbits_CP	3083422100	H-threadandbits_CP	3083422110	H-threadandbits_CP
3083422120	H-threadandbits_CP	3083422130	H-threadandbits_CP	3083422140	H-threadandbits_CP
3083422150	H-threadandbits_CP	3083422160	H-threadandbits_CP	3083422170	H-threadandbits_CP
3083422180	H-threadandbits_CP	3083422200	H-threadandbits_CP	3083422210	H-threadandbits_CP
3083422220	H-threadandbits_CP	3083422230	H-threadandbits_CP	3083422240	H-threadandbits_CP
3083422250	H-threadandbits_CP	3083422260	H-threadandbits_CP	3083422270	H-threadandbits_CP
3083422280	H-threadandbits_CP	3083422300	H-threadandbits_CP	3083422310	H-threadandbits_CP
3083422320	H-threadandbits_CP	3083422330	H-threadandbits_CP	3083422340	H-threadandbits_CP
3083422350	H-threadandbits_CP	3083422360	H-threadandbits_CP	3083422370	H-threadandbits_CP
3083422380	H-threadandbits_CP	3100964600	no-illustration	3100965300	no-illustration
3106967000	no-illustration	3106967500	no-illustration	3111002000	no-illustration
3111002300	no-illustration	3111005600	CP	3111005600	APP
3111005700	APP	3111005700	CP	3115098280	no-illustration
3121001200	no-illustration	3121002100	no-illustration	3121007200	no-illustration
3121029200	no-illustration	3121034300	no-illustration	3121054500	no-illustration
3121087200	no-illustration	3132017300	no-illustration	3162097600	no-illustration
3303005212	CP	3303005216	APP	3303005216	CP
3303005218	APP	3303005218	CP	3310101937	APP
3310101938	APP	3310101939	APP	3310101940	APP
3310101941	APP	3310101942	APP	3310101943	APP
3310101944	APP	3310101945	APP	3310101946	APP
3310101947	APP	3310101948	APP	3310101949	APP
3310101950	APP	3310101951	APP	3310101952	APP
3310101953	APP	3310101954	APP	3310101955	APP

Part no	Part no	Part no	Part no	Part no	Part no
3310101956	APP	3310101957	APP	3310101958	APP
3310101959	APP	3310101960	APP	3310101961	APP
3310101962	APP	3310101963	APP	3310101964	APP
3310101965	APP	3310101966	APP	3310101967	APP
3310101968	APP	3310101969	APP	3310101970	APP
3310101971	APP	3310101972	APP	3310101973	APP
3310101974	APP	3310101975	APP	3310101976	APP
3310101977	APP	3310101978	APP	3310101979	APP
3310101980	APP	3310101981	APP	3310101982	APP
3310101983	APP	3310101984	APP	3310101985	APP
3310101986	APP	3310101987	APP	3310101988	APP
3310101989	APP	3310101990	APP	3310101991	APP
3310101992	APP	3310101993	APP	3310101994	APP
3310101995	APP	3310101996	APP	3310101997	APP
3310101998	APP	3310101999	APP	3310102000	APP
3310102001	APP	3310102002	APP	3310102003	APP
3310102004	APP	3310102005	APP	3310102238	APP
3310102239	APP	3310102240	APP	3310102241	APP
3310102242	APP	3310102243	APP	3310102244	APP
3310102245	APP	3310102246	APP	3310102252	APP
3310102252	R25drillBitsCP	3310102253	APP	3310102253	R25drillBitsCP
3310102254	APP	3310102254	R25drillBitsCP	3310102255	R25drillBitsCP
3310102255	APP	3310102256	APP	3310102256	R25drillBitsCP
3310102257	APP	3310102257	R25drillBitsCP	3310102258	APP
3310102258	R25drillBitsCP	3310102259	R25drillBitsCP	3310102259	APP
3310102260	APP	3310102261	APP	3310102262	APP
3310102263	APP	3310102264	APP	3310102265	APP
3310102266	APP	3310102267	APP	3310102268	APP
3310102269	APP	3310102270	APP	3310102271	APP
3310102272	APP	3310102273	APP	3310102274	APP
3310102284	APP	3310102285	APP	3310102286	APP
3310102287	APP	3310102288	APP	3310102289	APP
3310102290	APP	3310102291	APP	3310102292	APP
3310102413	Integraldril22x82	3310102414	Integraldril22x82	3310102415	Integraldril22x82
3310102416	Integraldril22x82	3310102417	Integraldril22x82	3310102418	Integraldril22x82
3310102419	Integraldril22x82	3310102420	Integraldril22x82	3310102421	Integraldril22x82
3310102422	Integraldril22x82	3310102423	Integraldril22x82	3310102424	Integraldril22x82
3310102493	APP	3310102528	Carbidetippedh3_CP	3310102529	Carbidetippedh3_CP
3310102530	Carbidetippedh3_CP	3310102531	Carbidetippedh3_CP	3310102617	CP
3310102617	APP	3310103157	APP	3310103158	APP
3310120600	no-illustration	3330000400	no-illustration	3330000500	no-illustration
3330002200	no-illustration	3330002300	no-illustration	3330002500	no-illustration
3330005700	no-illustration	3330005800	no-illustration	3330008100	no-illustration
3371801087	no-illustration	3371802105	no-illustration	3371802106	no-illustration
3371802107	no-illustration	3371802108	no-illustration	3371802109	no-illustration
3371803050	no-illustration	3371803052	no-illustration	3371803075	no-illustration
3371805133	no-illustration	3371805134	no-illustration	3371805503	no-illustration
3371805732	no-illustration	3371805733	no-illustration	3371814700	no-illustration
3371814701	no-illustration	3371814703	no-illustration	3371814709	no-illustration
3371814710	no-illustration	3371814748	no-illustration	3371814749	no-illustration
3371814750	no-illustration	3371814751	no-illustration	3371814754	no-illustration
3371815738	no-illustration	3371817721	no-illustration	3371817757	no-illustration
3371818013	no-illustration	3371818020	no-illustration	3371820167	no-illustration
3371820176	no-illustration	3371820266	no-illustration	3371820267	no-illustration
3371820700	no-illustration	3371820702	no-illustration	3371820703	no-illustration
3371820704	no-illustration	3371820705	no-illustration	3371820706	no-illustration
3371820708	no-illustration	3371820718	no-illustration	3371820725	no-illustration
3371820726	no-illustration	3371820727	no-illustration	3371820762	no-illustration
3371896000	no-illustration	3371896006	no-illustration	3371896047	no-illustration
3371896048	no-illustration	3371896061	no-illustration	3371896062	no-illustration
3371896097	no-illustration	3371896113	no-illustration	3371897080	no-illustration
3371897081	no-illustration	3371897082	no-illustration	3371897083	no-illustration

Part no	Part no	Part no	Part no	Part no	Part no
3371897155	no-illustration	3371897156	no-illustration	3371897163	no-illustration
3371897164	no-illustration	3371897165	no-illustration	3371897166	no-illustration
3371897167	no-illustration	3371897168	no-illustration	3371897270	no-illustration
3371897286	no-illustration	3371897287	no-illustration	3371897304	no-illustration
3376100084	no-illustration	3377000432	no-illustration	3378512072	no-illustration
3378512073	no-illustration	3378512086	no-illustration	4090020100	no-illustration
4950026400	no-illustration	8092011082	no-illustration	8099020202	no-illustration
8099020236	no-illustration	8099020240	no-illustration	8099020240	no-illustration
8099020249	Rockdrilloil_CP	8099020251	Rockdrilloil_CP	8099020281	no-illustration
8099020285	no-illustration	8202510205	no-illustration	8202510239	no-illustration
8461020853	no-illustration	9000019700	no-illustration	9000031300	no-illustration
9030204100	no-illustration	9030204300	no-illustration	9030206900	no-illustration
9238270790	no-illustration	C077941	APP	C077941	CP
C106884	APP	C106884	CP	F035373	CP
F814720	CP	F814720	APP	P089767	CP
P089767	APP	Q2122000	CP	Q2122000	APP
R000037	CP	R000037	APP	R000142	CP
R000142	APP	R000528	APP	R000528	CP
R000617	APP	R000617	CP	R000619	APP
R000619	CP	R000692	APP	R000692	CP
R000694	CP	R000694	APP	R005584	CP
R005584	APP	R005742	CP	R005742	APP
R005744	CP	R005744	APP	R009224	APP
R009224	CP	R075577	CP	R075578	APP
R075578	CP	R075580	CP	R075580	APP
R075581	CP	R075581	APP	R075582	CP
R075583	CP	R075584	CP	R075584	APP
R075585	APP	R075585	CP	R075586	APP
R075586	CP	R075587	APP	R075587	CP
R075588	APP	R075588	CP	R075590	CP
R075590	APP	R075592	CP	R075593	APP
R075593	CP	R075596	APP	R075596	CP
R075597	APP	R075597	CP	R075598	APP
R075598	CP	R075599	CP	R075599	APP
R075601	APP	R075601	CP	R085164	APP
R085164	CP				

Go to Discount-Equipment.com to order your parts



www.discount-equipment.com

PARTS FINDER

**Search Website
by Part Number**



**Search Manual
Library For Parts
Manual & Lookup Part
Numbers – Purchase
or Request Quote**

Search Manuals

Enter your information to help us find the right parts manual for your machine.

* Brand:

* Model:

* Serial:

* Part Number:

SEARCH

**Can't Find Part or
Manual? Request Help
by Manufacturer,
Model & Description**

Parts Order Form

Please fill in the following information to help us find the right part for your machine.

Manufacturer:	<input type="text"/>
Model:	<input type="text"/>
Description:	<input type="text"/>
Part Number:	<input type="text"/>
Quantity:	<input type="text"/>
Notes:	<input type="text"/>

Discount-Equipment.com is your online resource for quality parts & equipment.

Florida: **561-964-4949** Outside Florida TOLL FREE: **877-690-3101**

Need parts?

Click on this link: <http://www.discount-equipment.com/category/5443-parts/> and choose one of the options to help get the right parts and equipment you are looking for. Please have the machine model and serial number available in order to help us get you the correct parts. If you don't find the part on the website or on one of the online manuals, please fill out the request form and one of our experienced staff members will get back to you with a quote for the right part that your machine needs.

We sell worldwide for the brands: Genie, Terex, JLG, MultiQuip, Mikasa, Essick, Whiteman, Mayco, Toro Stone, Diamond Products, Generac Magnum, Airman, Haulotte, Barreto, Power Blanket, Nifty Lift, Atlas Copco, Chicago Pneumatic, Allmand, Miller Curber, Skyjack, Lull, Skytrak, Tsurumi, Husquvarna Target, Stow, Wacker, Sakai, Mi-T-M, Sullair, Basic, Dynapac, MBW, Weber, Bartell, Bennar Newman, Haulotte, Ditch Runner, Menegotti, Morrison, Contec, Buddy, Crown, Edco, Wyco, Bomag, Laymor, EZ Trench, Bil-Jax, F.S. Curtis, Gehl Pavers, Heli, Honda, ICS/PowerGrit, IHI, Partner, Imer, Clipper, MMD, Koshin, Rice, CH&E, General Equipment, Amida, Coleman, NAC, Gradall, Square Shooter, Kent, Stanley, Tamco, Toku, Hatz, Kohler, Robin, Wisconsin, Northrock, Oztec, Toker TK, Rol-Air, APT, Wylie, Ingersoll Rand / Doosan, Innovatech, Con X, Ammann, Mecalac, Makinex, Smith Surface Prep, Small Line, Wanco, Yanmar