



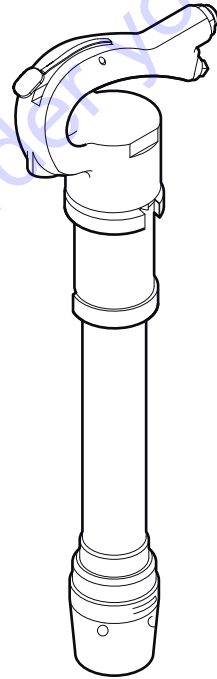
**Chicago
Pneumatic**

Spare parts list

Handheld pneumatic rivet busters

CP 4608 P, CP 4611 P, CP 4608 D, CP 4611 D

	Valid from serial number
CP 4608 P	MHN015093
CP 4611 P	MHN015094
CP 4608 D	MHN015093
CP 4611 D	MHN015094



**Discount
Equipment**

www.discount-equipment.com

PARTS FINDER

**Search Website
by Part Number**



**Search Manual
Library For Parts
Manual & Lookup Part
Numbers – Purchase
or Request Quote**

Search Manuals

Enter your information to search for a manual or to purchase a manual or parts.

* Brand:

* Model:

* Serial:

* Part Number:

SEARCH

**Can't Find Part or
Manual? Request Help
by Manufacturer,
Model & Description**

Parts Order Form

Please fill in the following information to request help finding a part or manual.

Manufacturer:

Model:

Description:

Quantity:

Part Number:

Part Name:

Part Description:

Part Category:

Part Location:

Part Status:

Part Condition:

Part Material:

Part Color:

Part Weight:

Part Dimensions:

Part Price:

Part Availability:

Part Lead Time:

Part Notes:

Submit

Discount-Equipment.com is your online resource for quality parts & equipment.

Florida: **561-964-4949** Outside Florida TOLL FREE: **877-690-3101**

Need parts?

Click on this link: <http://www.discount-equipment.com/category/5443-parts/> and choose one of the options to help get the right parts and equipment you are looking for. Please have the machine model and serial number available in order to help us get you the correct parts. If you don't find the part on the website or on one of the online manuals, please fill out the request form and one of our experienced staff members will get back to you with a quote for the right part that your machine needs.

We sell worldwide for the brands: Genie, Terex, JLG, MultiQuip, Mikasa, Essick, Whiteman, Mayco, Toro Stone, Diamond Products, Generac Magnum, Airman, Haulotte, Barreto, Power Blanket, Nifty Lift, Atlas Copco, Chicago Pneumatic, Allmand, Miller Curber, Skyjack, Lull, Skytrak, Tsurumi, Husquvarna Target, Stow, Wacker, Sakai, Mi-T-M, Sullair, Basic, Dynapac, MBW, Weber, Bartell, Bennar Newman, Haulotte, Ditch Runner, Menegotti, Morrison, Contec, Buddy, Crown, Edco, Wyco, Bomag, Laymor, EZ Trench, Bil-Jax, F.S. Curtis, Gehl Pavers, Heli, Honda, ICS/PowerGrit, IHI, Partner, Imer, Clipper, MMD, Koshin, Rice, CH&E, General Equipment, Amida, Coleman, NAC, Gradall, Square Shooter, Kent, Stanley, Tamco, Toku, Hatz, Kohler, Robin, Wisconsin, Northrock, Oztec, Toker TK, Rol-Air, APT, Wylie, Ingersoll Rand / Doosan, Innovatech, Con X, Ammann, Mecalac, Makinex, Smith Surface Prep, Small Line, Wanco, Yanmar

Go to Discount-Equipment.com to order your parts

Contents

General information	5
Spare parts list	6
CP 4608 P	6
CP 4611 P.....	8
CP 4608 D.....	10
CP 4611 D.....	12
Working tools	14
Buster.....	14
Buster.....	14
Accessories	16
Hose rolls.....	16
Pre-mounted universal hoses with claw couplings.....	16
Water separator.....	16
Lubricator.....	17
CP airolene plus tool oil.....	17

Go to Discount-Equipment.com to order your parts

General information

This spare parts list applies to the following:

Description
Handheld pneumatic rivet buster CP 4608 P
Handheld pneumatic rivet buster CP 4611 P
Handheld pneumatic rivet buster CP 4608 D
Handheld pneumatic rivet buster CP 4611 D

Use only authorized parts. Any damage or malfunction caused by the use of unauthorized parts is not covered by Warranty or Product Liability. Any unauthorized use or copying of the contents or any part thereof is prohibited. This applies in particular to trademarks, model denominations, part numbers, and drawings.

Instructions for use

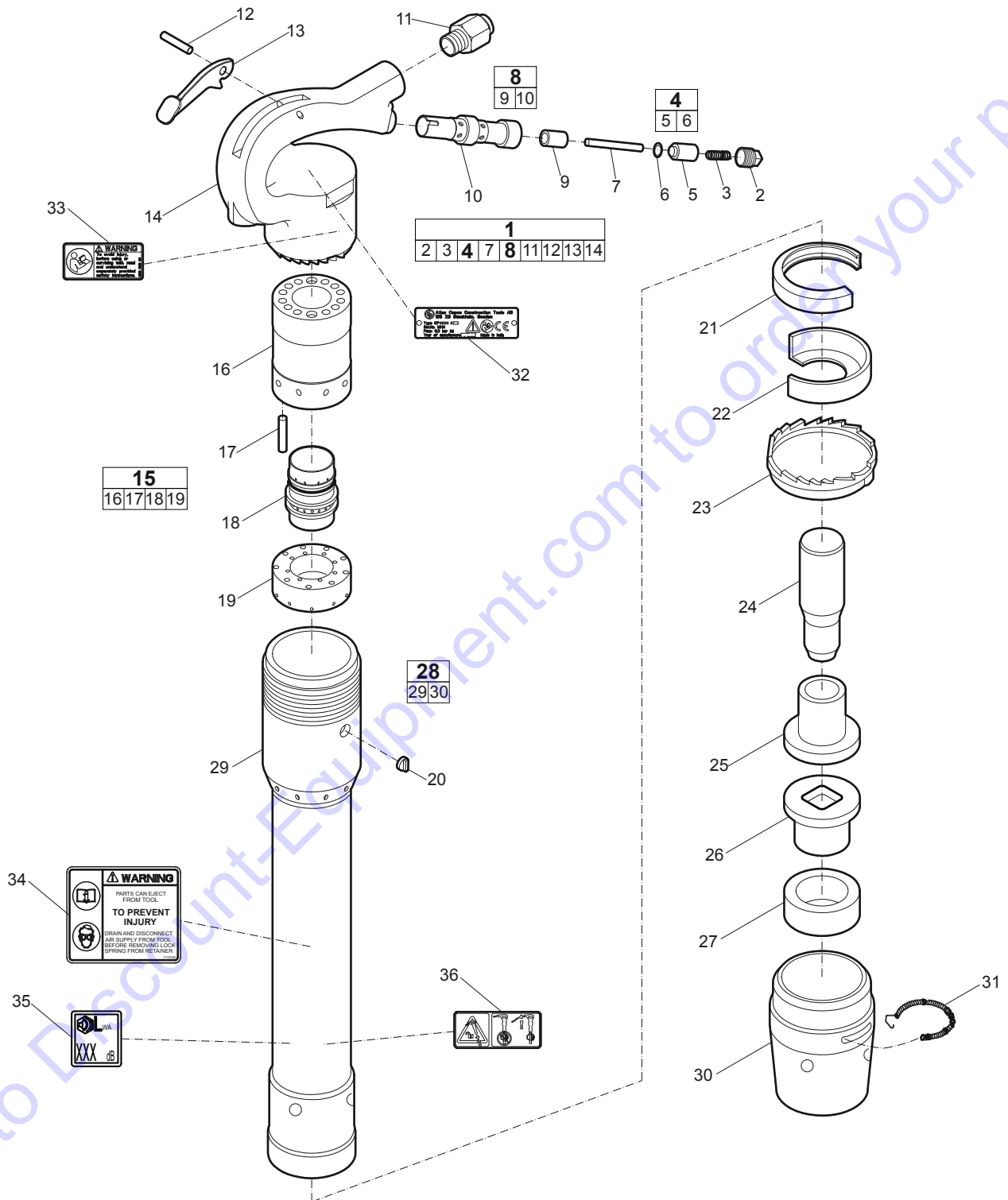
This spare parts list contains no safety regulations and is merely intended to assist in the ordering of spare parts.

For information about operating, servicing, or repairing, the relevant Safety and operating instructions must be consulted at all costs.

Please observe the safety instructions listed in the relevant Safety and operating instructions!

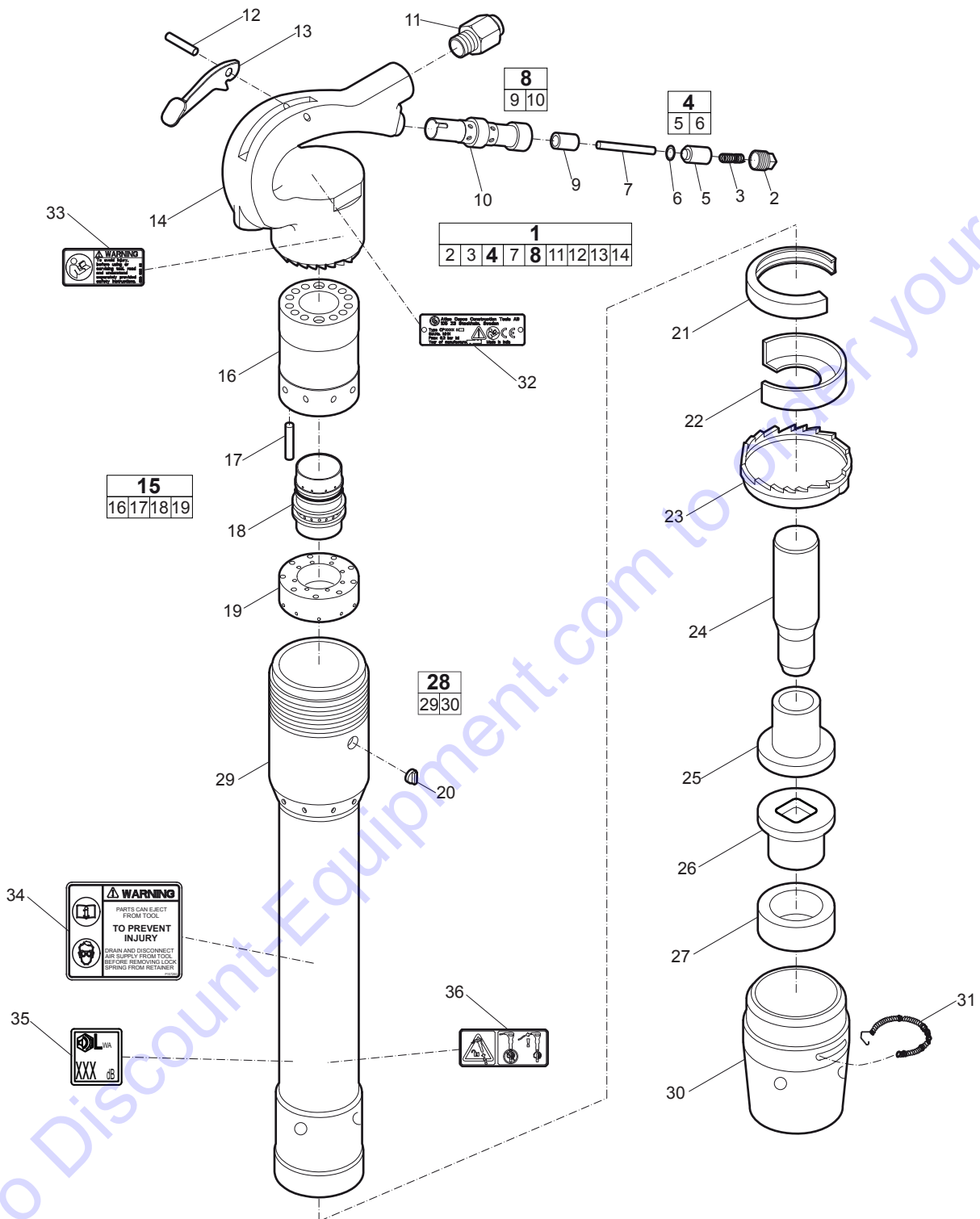
Spare parts list

CP 4608 P



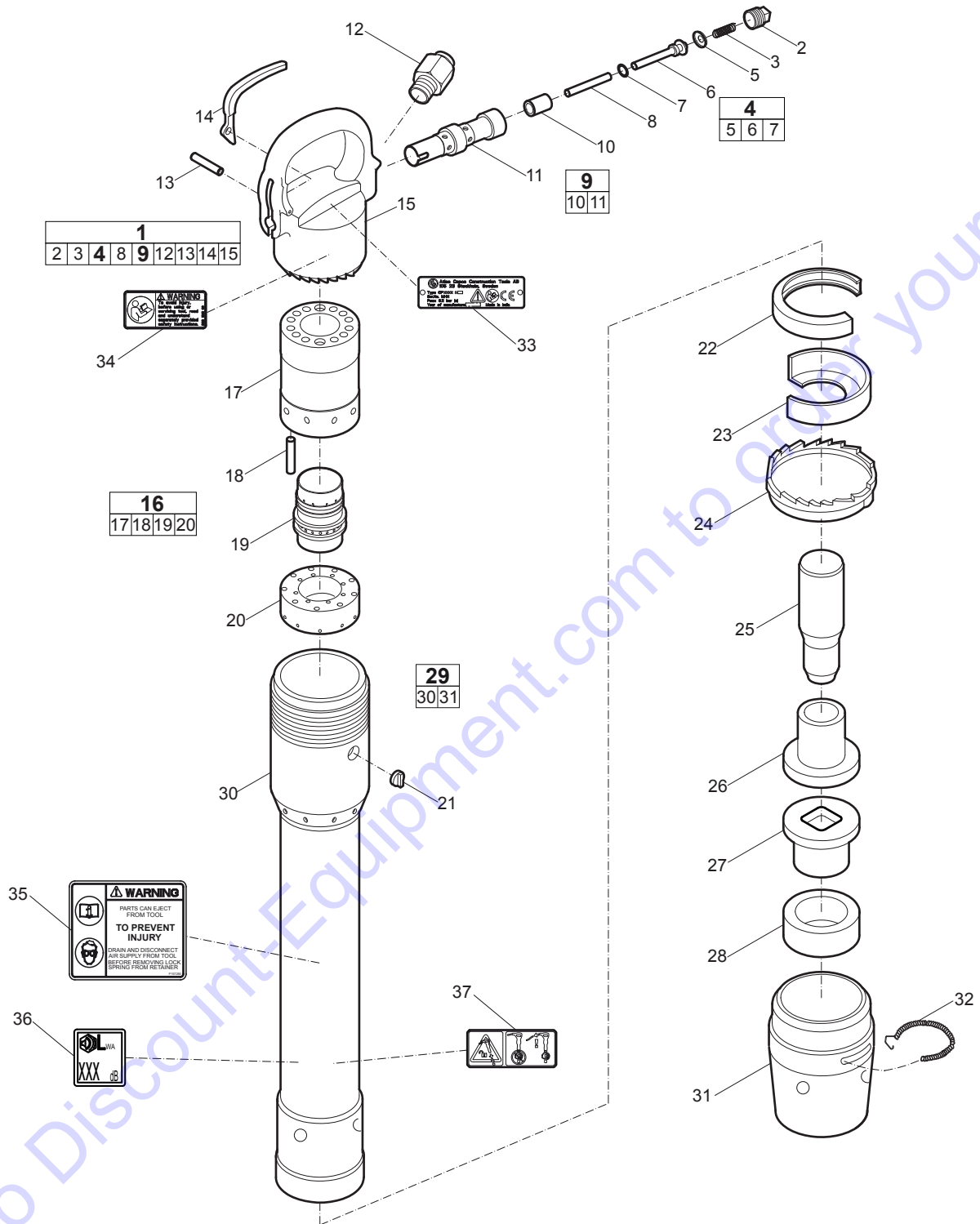
No.	Description	Remark	Quantity	Part number
1(2-3,4,7,8,11-14)	Handle, complete		1	P007 164
2	Plug - Valve tube		1	P001 873
3	Spring - Valve		1	P001 853
4(5-6)	Valve - Throttle, complete		1	P001 799
5	Valve - Throttle		1	-
6	O-ring		1	P083 071
7	Pin - Push	Valve	1	P004 834
8(9-10)	Tube - Throttle, complete		1	P007 325
9	Bushing		1	P004 839
10	Tube - Throttle		1	-
11	Bushing - Air inlet	½" NPTF (With strainer)	1	P001 995
12	Pin - Lever		1	P001 915
13	Lever - Throttle		1	P001 982
14	Handle		1	-
15(16-19)	Valve, complete		1	P007 385
16	Case - Valve		1	P006 319
17	Dowel		1	3303 0050 86
18	Valve		1	P001 538
19	Lid - Valve case		1	P006 320
20	Key - Lock collar		1	P001 430
21	Clip - Spring	Lock collar	1	P001 355
22	Deflector - Exhaust		1	P001 389
23	Collar - Lock		1	P001 399
24	Piston	8" Stroke	1	3303 0050 94
25	Sleeve - Upper		1	P156 988
26	Sleeve - Lower		1	P072 333
27	Bumper		1	3303 0051 03
28(29-30)	Cylinder, complete		1	3303 0053 80
29	Cylinder		1	-
30	Retainer		1	3303 0053 40
31	Spring - Lock		1	P073 942
32	Data Plate		1	-
33	Safety label		1	3310 1602 00
34	Warning label		1	P157 290
35	Noise level label		1	-
36	Eject warning label		1	3310 1572 00

CP 4611 P



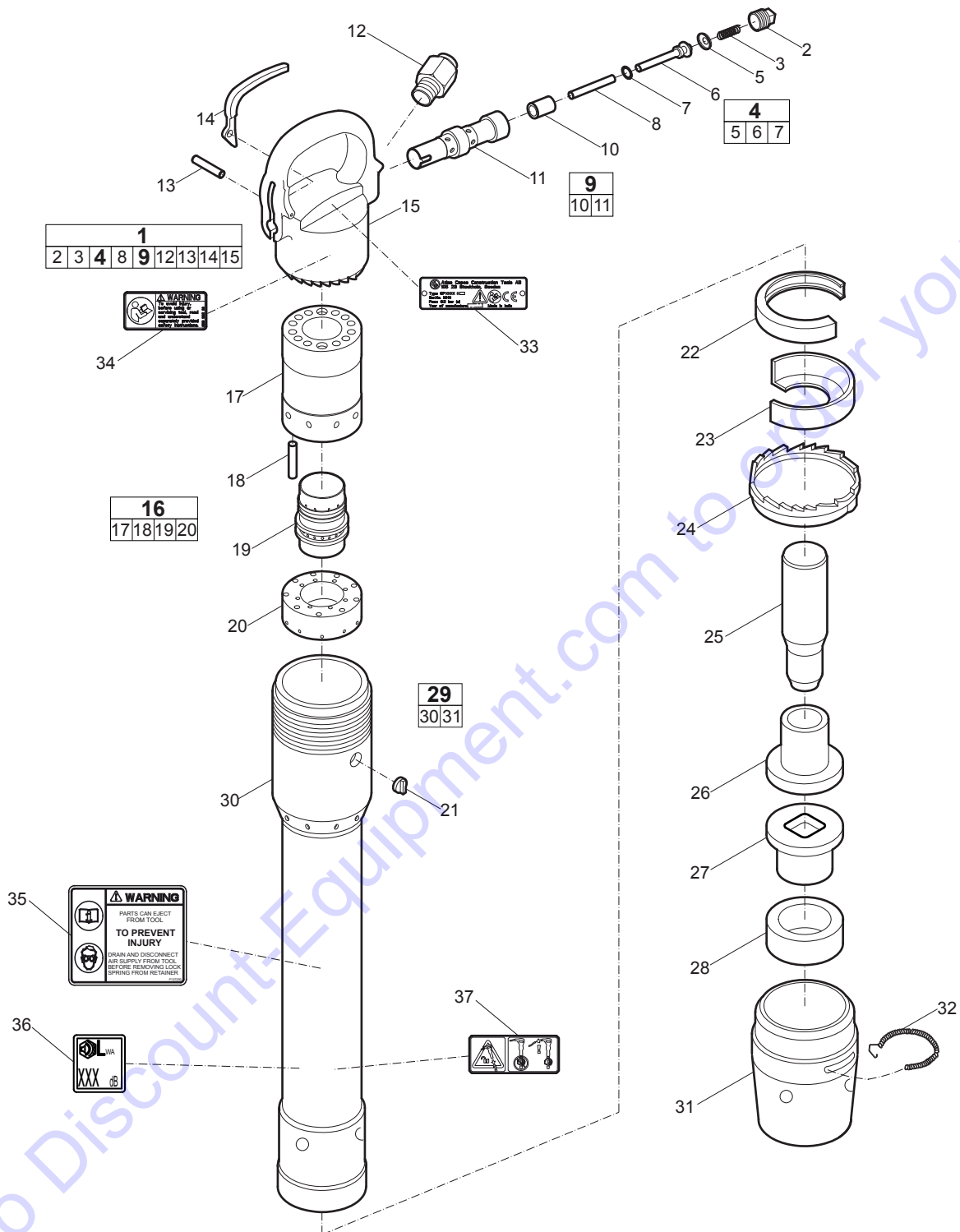
No.	Description	Remark	Quantity	Part number
1(2-3,4,7,8,11-14)	Handle, complete		1	P007 164
2	Plug - Valve tube		1	P001 873
3	Spring - Valve		1	P001 853
4(5-6)	Valve - Throttle, complete		1	P001 799
5	Valve - Throttle		1	-
6	O-ring		1	P083 071
7	Pin - Push	Valve	1	P004 834
8(9-10)	Tube - Throttle, complete		1	P007 325
9	Bushing		1	P004 839
10	Tube - Throttle		1	-
11	Bushing - Air inlet	½" NPTF (With strainer)	1	P001 995
12	Pin - Lever		1	P001 915
13	Lever - Throttle		1	P001 982
14	Handle		1	-
15(16-19)	Valve, complete		1	P007 385
16	Case - Valve		1	P006 319
17	Dowel		1	3303 0050 86
18	Valve		1	P001 538
19	Lid - Valve case		1	P006 320
20	Key - Lock collar		1	P001 430
21	Clip - Spring	Lock collar	1	P001 355
22	Deflector - Exhaust		1	P001 389
23	Collar - Lock		1	P001 399
24	Piston	11" Stroke	1	3303 0050 93
25	Sleeve - Upper		1	P156 988
26	Sleeve - Lower		1	P072 333
27	Bumper		1	3303 0051 03
28(29-30)	Cylinder, complete		1	3303 0053 81
29	Cylinder		1	-
30	Retainer		1	3303 0053 40
31	Spring - Lock		1	P073 942
32	Data plate		1	-
33	Safety label		1	3310 1602 00
34	Warning label		1	P157 290
35	Noise level label		1	-
36	Eject warning label		1	3310 1572 00

CP 4608 D



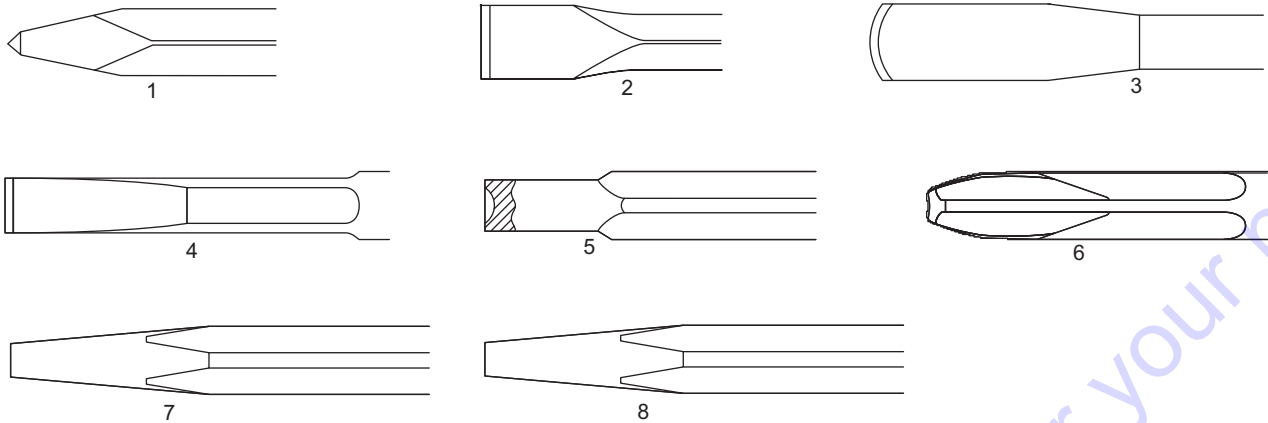
No.	Description	Remark	Quantity	Part number
1(2-3,4,8,9,12-15)	Handle, complete		1	P007 399
2	Plug - Valve tube		1	P001 884
3	Spring - Valve		1	P001 864
4(5-7)	Valve - Throttle, complete		1	P005 153
5	Cap - O-ring		1	P092 091
6	Valve - Throttle		1	-
7	Throttle valve O-ring		1	CA08 8867
8	Pin - Push	Valve	1	P006 138
9(10-11)	Tube - Throttle, complete		1	P007 846
10	Bushing		1	-
11	Tube Throttle		1	-
12	Bushing air inlet	½" NPTF (With strainer)	1	P001 995
13	Pin - Lever		1	P005 171
14	Lever - Throttle		1	P006 137
15	Handle		1	-
16(17-20)	Valve, complete		1	P007 385
17	Case - Valve		1	P006 319
18	Dowel		1	3303 0050 86
19	Valve		1	P001 538
20	Lid - Valve case		1	P006 320
21	Key - Lock collar		1	P001 430
22	Clip - Spring	Lock collar	1	P001 355
23	Deflector - Exhaust		1	P001 389
24	Collar - Lock		1	P001 399
25	Piston	8" Stroke	1	3303 0050 94
26	Sleeve - Upper		1	P156 988
27	Sleeve - Lower		1	P072 333
28	Bumper		1	3303 0051 03
29(30-31)	Cylinder, complete		1	3303 0053 80
30	Cylinder		1	-
31	Retainer		1	3303 0053 40
32	Spring - Lock		1	P073 942
33	Data plate		1	-
34	Safety label		1	3310 1602 00
35	Warning label		1	P157 290
36	Noise level label		1	-
37	Eject warning label		1	3310 1572 00

CP 4611 D

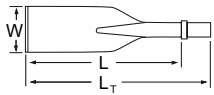


No.	Description	Remark	Quantity	Part number
1(2-3,4,8,9,12-15)	Handle, complete		1	P007 399
2	Plug - Valve tube		1	P001 884
3	Spring - Valve		1	P001 864
4(5-7)	Valve - Throttle, complete		1	P005 153
5	Cap - O-ring		1	P092 091
6	Valve - Throttle		1	-
7	Throttle valve O-ring		1	CA08 8867
8	Pin - Push	Valve	1	P006 138
9(10-11)	Tube - Throttle, complete		1	P007 846
10	Bushing		1	-
11	Tube Throttle		1	-
12	Bushing air inlet	½" NPTF (With strainer)	1	P001 995
13	Pin - Lever		1	P005 171
14	Lever - Throttle		1	P006 137
15	Handle		1	-
16(17-20)	Valve, complete		1	P007 385
17	Case - Valve		1	P006 319
18	Dowel		1	3303 0050 86
19	Valve		1	P001 538
20	Lid - Valve case		1	P006 320
21	Key - Lock collar		1	P001 430
22	Clip - Spring	Lock collar	1	P001 355
23	Deflector - Exhaust		1	P001 389
24	Collar - Lock		1	P001 399
25	Piston	11" Stroke	1	3303 0050 93
26	Sleeve - Upper		1	P156 988
27	Sleeve - Lower		1	P072 333
28	Bumper		1	3303 0051 03
29(30-31)	Cylinder, complete		1	3303 0053 81
30	Cylinder		1	-
31	Retainer		1	3303 0053 40
32	Spring - Lock		1	P073 942
33	Data plate		1	-
34	Safety label		1	3310 1602 00
35	Warning label		1	P157 290
36	Noise level label		1	-
37	Eject warning label		1	3310 1572 00

Working tools

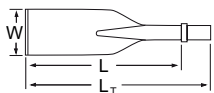


Buster



No.	Description	W (in.)	L (in.)	L _T (in.)	Wt (lb)	Part number
1	Moil point	-	5 ³ / ₄	10	2	3083 4140 00
		-	7 ³ / ₄	12	2.4	3083 4140 10
		-	13	18	3-7	3083 4140 20
2	Narrow chisel	-	5 ³ / ₄	10	2	3083 4141 00
		-	7 ³ / ₄	12	2.4	3083 4141 10
		-	13	18	3.7	3083 4141 20
3	Loose rivet buster	-	5 ³ / ₄	10	2	3083 4142 00
		-	7 ³ / ₄	12	2.4	3083 4142 10
		-	13	18	3.7	3083 4146 20
4	Tight rivet buster	-	5 ³ / ₄	10	2	3083 4145 00
		-	7 ³ / ₄	12	2.4	3083 4145 10
		-	13	18	3.7	3083 4145 20
5	Driftpin driver	Ø ⁷ / ₈	3	7 ¹ / ₂	1.3	3083 4143 00
6	Chisel ripper	-	4 ³ / ₄	9	2.0	3083 4144 00
7	Backout punch - Standard	1/2	1	9 ¹ / ₂	1.8	3083 4147 00
		5/8	1	9 ¹ / ₂	1.8	3083 4147 10
		3/4	1	9 ¹ / ₂	1.8	3083 4147 20
		7/8	1	9 ¹ / ₂	2	3083 4147 40
		1	1	9 ¹ / ₂	2.2	3083 4147 60
8	Backout punch - Long clearance	5/8	4	10	1.5	3083 4148 10
		5/8	6	12	1.5	3083 4148 20
		3/4	4	10	1.8	3083 4148 40
		3/4	6	12	2	3083 4148 50
		7/8	4	10	2	3083 4148 70
		7/8	6	12	2.2	3083 4148 80

Buster



No.	Description	W (mm)	L (mm)	L _T (mm)	Wt (kg)	Part number
1	Moil point	-	145	255	0.9	3083 4140 00
		-	195	305	1.1	3083 4140 10
		-	340	450	1.7	3083 4140 20
2	Narrow chisel	-	145	255	0.9	3083 4141 00
		-	195	305	1.1	3083 4141 10
		-	340	450	1.7	3083 4141 20
3	Loose rivet buster	-	145	255	0.9	3083 4142 00
		-	195	305	1.1	3083 4142 10
		-	340	450	1.7	3083 4146 20
4	Tight rivet buster	-	145	255	0.9	3083 4145 00
		-	195	305	1.1	3083 4145 10
		-	340	450	1.7	3083 4145 20
5	Driftpin driver	Ø22	80	190	0.6	3083 4143 00
6	Chisel ripper	-	120	230	0.9	3083 4144 00
7	Backout punch - Standard	13	25	240	0.8	3083 4147 00
		16	25	240	0.8	3083 4147 10
		19	25	240	0.8	3083 4147 20
		22	25	240	0.9	3083 4147 40
		25	25	240	1.0	3083 4147 60
8	Backout punch - Long clearance	16	102	255	0.7	3083 4148 10
		16	152	305	0.7	3083 4148 20
		19	102	255	0.8	3083 4148 40
		19	152	305	0.9	3083 4148 50
		22	102	255	0.9	3083 4148 70
		22	152	305	1.0	3083 4148 80

Go to Discount-Equipment.com to order your parts

Accessories

Hose rolls

Metric

Description	Inner diameter (mm)	Thickness (mm)	Maximum working pressure (bar)	Length of roll (m)	Weight (kg)	Part number
Red-X hose roll	19	2.0	20	60	11	8900 0050 10
Red-X hose roll	19	2.0	20	100	18	8900 0050 11
Red-X hose roll	19	2.0	20	200	36	8900 0050 12
Red-X hose roll	25	2.5	20	60	15	8900 0050 20
Red-X hose roll	25	2.5	20	100	25	8900 0050 21
Red-X hose roll	25	2.5	20	200	50	8900 0050 22

Imperial

Description	Inner diameter (in.)	Thickness (in.)	Maximum working pressure (psi)	Length of roll (ft)	Weight (lb)	Part number
Red-X hose roll	¾	⅝	290	195	24.3	8900 0050 10
Red-X hose roll	¾	⅝	290	325	39.7	8900 0050 11
Red-X hose roll	¾	⅝	290	650	79.4	8900 0050 12
Red-X hose roll	1	⅜	290	195	33.1	8900 0050 20
Red-X hose roll	1	⅜	290	325	55.1	8900 0050 21
Red-X hose roll	1	⅜	290	650	110.2	8900 0050 22

Pre-mounted universal hoses with claw couplings

Metric

Description	Inner diameter (mm)	Thickness (mm)	Maximum working pressure (bar)	Length of roll (m)	Weight (kg)	Part number
Red-X universal hose	19	2.0	20	20	4.5	8900 0050 09
Red-X universal hose	25	2.5	20	20	6.0	8900 0050 23

Imperial

Description	Inner diameter (in.)	Thickness (in.)	Maximum working pressure (psi)	Length of roll (ft)	Weight (lb)	Part number
Red-X universal hose	¾	⅝	290	50	8.8	8900 0050 08
Red-X universal hose	1	⅜	290	50	11.0	8900 0050 24

Water separator

Metric

Description	Hose connection (mm)	Air flow (l/s)	Weight (kg)	Part number
Water separator (¾ in. BSP)	20	61	0.8	8900 0050 00

Imperial

Description	Hose connection (in.)	Air flow (foot ³ /min)	Weight (lb)	Part number
Water separator (¾ in. NPT)	¾	130	1.8	8900 0050 01

Lubricator**Metric**

Description	Hose connection (mm)	Air flow (l/s)	Oil volume (l)	Weight (kg)	Part number
Lubricator 1300 (1 in. BSP)	25	15-140	1.3	3	8900 0050 02

Imperial

Description	Hose connection (in.)	Air flow (foot ³ /min)	Oil volume (US gallon)	Weight (lb)	Part number
Lubricator 43 (1 in. NPT)	1	32-300	0.34	6.6	8900 0050 07

CP airolene plus tool oil**Metric**

Description	Oil volume (l)	Part number
5 l container	5	8099 0202 49
4 x 5 l container	20	8099 0202 51

Imperial

Description	Oil volume (US gallon)	Part number
1.32 US gallon container	1.32	8099 0202 49
4 x 1.32 US gallon container	5.28	8099 0202 51



**Chicago
Pneumatic**



www.discount-equipment.com

Go to Discount-Equipment.com to order your parts

2012-02 | No. 9800 0826 01a

© Copyright Atlas Copco Construction Tools AB | STOCKHOLM • SWEDEN

PARTS FINDER

**Search Website
by Part Number**



**Search Manual
Library For Parts
Manual & Lookup Part
Numbers – Purchase
or Request Quote**

Search Manuals

Enter your information to help us find the right parts manual for your machine.

* Brand:

* Model:

* Serial:

* Part Number:

SEARCH

**Can't Find Part or
Manual? Request Help
by Manufacturer,
Model & Description**

Parts Order Form

Please fill in the following information to help us find the right part for your machine.

Manufacturer:	<input type="text"/>
Model:	<input type="text"/>
Description:	<input type="text"/>
Part Number:	<input type="text"/>
Quantity:	<input type="text"/>
Notes:	<input type="text"/>

Discount-Equipment.com is your online resource for quality parts & equipment.

Florida: **561-964-4949** Outside Florida TOLL FREE: **877-690-3101**

Need parts?

Click on this link: <http://www.discount-equipment.com/category/5443-parts/> and choose one of the options to help get the right parts and equipment you are looking for. Please have the machine model and serial number available in order to help us get you the correct parts. If you don't find the part on the website or on one of the online manuals, please fill out the request form and one of our experienced staff members will get back to you with a quote for the right part that your machine needs.

We sell worldwide for the brands: Genie, Terex, JLG, MultiQuip, Mikasa, Essick, Whiteman, Mayco, Toro Stone, Diamond Products, Generac Magnum, Airman, Haulotte, Barreto, Power Blanket, Nifty Lift, Atlas Copco, Chicago Pneumatic, Allmand, Miller Curber, Skyjack, Lull, Skytrak, Tsurumi, Husquvarna Target, Stow, Wacker, Sakai, Mi-T-M, Sullair, Basic, Dynapac, MBW, Weber, Bartell, Bennar Newman, Haulotte, Ditch Runner, Menegotti, Morrison, Contec, Buddy, Crown, Edco, Wyco, Bomag, Laymor, EZ Trench, Bil-Jax, F.S. Curtis, Gehl Pavers, Heli, Honda, ICS/PowerGrit, IHI, Partner, Imer, Clipper, MMD, Koshin, Rice, CH&E, General Equipment, Amida, Coleman, NAC, Gradall, Square Shooter, Kent, Stanley, Tamco, Toku, Hatz, Kohler, Robin, Wisconsin, Northrock, Oztec, Toker TK, Rol-Air, APT, Wylie, Ingersoll Rand / Doosan, Innovatech, Con X, Ammann, Mecalac, Makinex, Smith Surface Prep, Small Line, Wanco, Yanmar