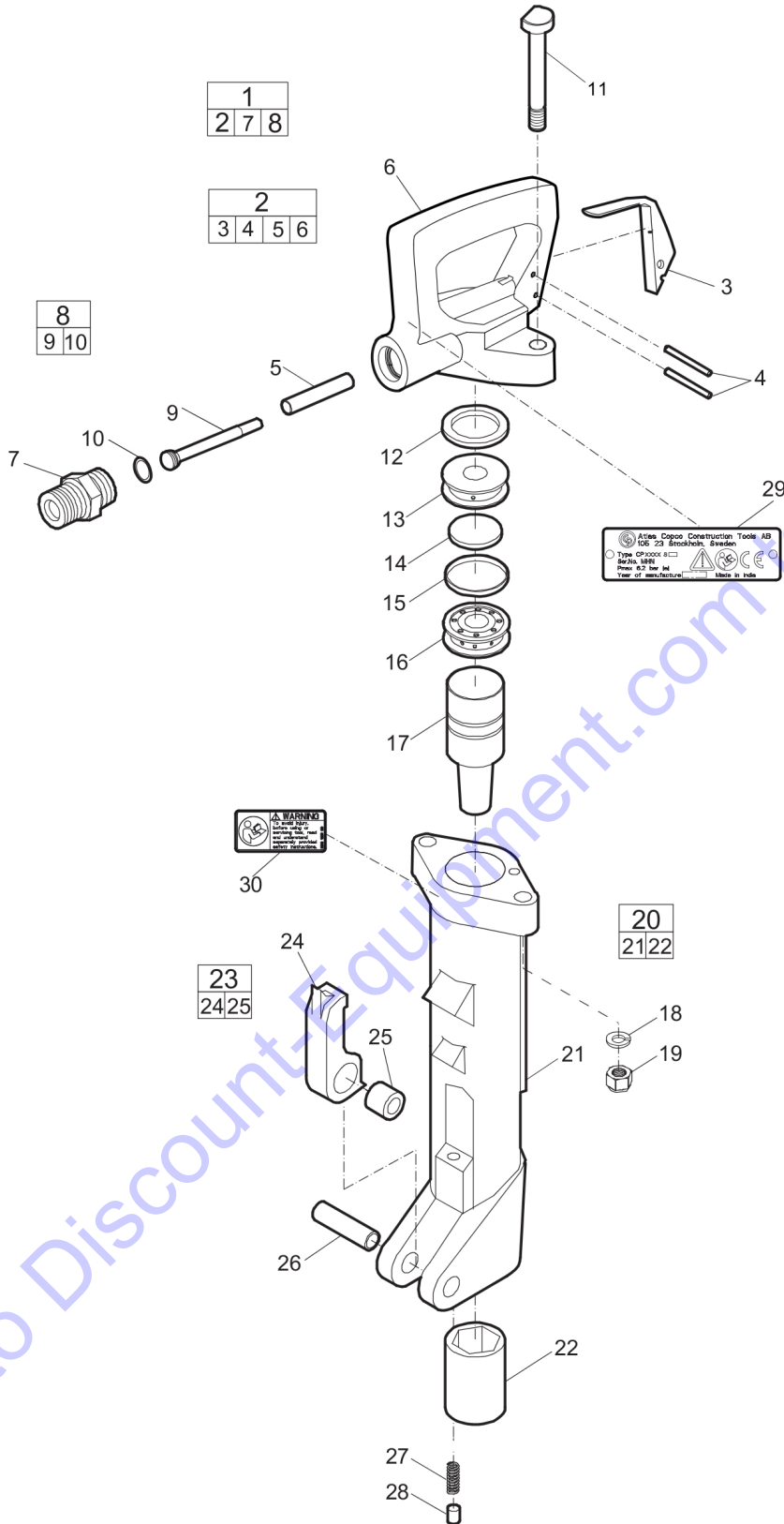


## CP 0222 CHIT - PARTS



Go to DiscountEquipment.com to order your parts

Part assemblies		CP 0222 CHIT		
Specification		Version: 222		
PartNo	Pos	Qty	Name	Specifications
3310102625	1	1	Trigger handle, complete	
F815276	2	1	HANDLE INSIDE TRIG	
F815167	3	1	LEVER-THROTTLE CHIT	
R133757	4	2	Pin - Throttle lever	
F813910	5	1	BUSHING-THROTTLE	
---	6	1	Handle	
F814130	7	1	Nipple - Air inlet, 1/2in. NPTF x 14 TPI	
F814812	8	1	Valve - Throttle, complete	
---	9	1	Valve - Throttle	
P083071	10	1	O-RING IN-011	
F813911	11	2	Bolt - Handle	
F813908	12	1	PAD-VALVE CASE	
F814774	13	1	Lid - Upper valve case	
F012659	14	1	REGULATING VALVE	
F814776	15	1	Case - Valve	
F814775	16	1	Lid - Lower valve case	
F815015	17	1	PISTON	
R000550	18	2	LOCKWASHER, 5/8 LIGH	
P081091	19	2	NUT-STOP 5/8-18UNF	
3310102671	20	1	Cylinder, complete	
--	21	1	Cylinder	
F813919	22	1	BUSHING	
F815269	23	1	Retainer - Latch, complete	
--	24	1	Retainer - Latch	
F815174	25	1	BUSHING-LATCH	
R133758	26	1	Pin - Latch Retainer, Ø 1/2 in. x 2 1/2 in., Ø 12.70 x 63.50 mm	
R086982	27	1	PLUNGER SPRING	
F813308	28	1	PLUNGER-LATCH	
-	29	1	Data plate (Not available separately)	
3310160200	30	1	Safety label	


[www.discount-equipment.com](http://www.discount-equipment.com)

# PARTS FINDER

**Search Website  
by Part Number**



**Search Manual  
Library For Parts  
Manual & Lookup Part  
Numbers – Purchase  
or Request Quote**

**Can't Find Part or  
Manual? Request Help  
by Manufacturer,  
Model & Description**

Discount-Equipment.com is your online resource for quality parts & equipment.

Florida: **561-964-4949** Outside Florida TOLL FREE: **877-690-3101**

**Need parts?**

Click on this link: <http://www.discount-equipment.com/category/5443-parts/> and choose one of the options to help get the right parts and equipment you are looking for. Please have the machine model and serial number available in order to help us get you the correct parts. If you don't find the part on the website or on one of the online manuals, please fill out the request form and one of our experienced staff members will get back to you with a quote for the right part that your machine needs.

We sell worldwide for the brands: Genie, Terex, JLG, MultiQuip, Mikasa, Essick, Whiteman, Mayco, Toro Stone, Diamond Products, Generac Magnum, Airman, Haulotte, Barreto, Power Blanket, Nifty Lift, Atlas Copco, Chicago Pneumatic, Allmand, Miller Curber, Skyjack, Lull, Skytrak, Tsurumi, Husquvarna Target, Stow, Wacker, Sakai, Mi-T-M, Sullair, Basic, Dynapac, MBW, Weber, Bartell, Bennar Newman, Haulotte, Ditch Runner, Menegotti, Morrison, Contec, Buddy, Crown, Edco, Wyco, Bomag, Laymor, EZ Trench, Bil-Jax, F.S. Curtis, Gehl Pavers, Heli, Honda, ICS/PowerGrit, IHI, Partner, Imer, Clipper, MMD, Koshin, Rice, CH&E, General Equipment, Amida, Coleman, NAC, Gradall, Square Shooter, Kent, Stanley, Tamco, Toku, Hatz, Kohler, Robin, Wisconsin, Northrock, Oztec, Toker TK, Rol-Air, APT, Wylie, Ingersoll Rand / Doosan, Innovatech, Con X, Ammann, Mecalac, Makinex, Smith Surface Prep, Small Line, Wanco, Yanmar