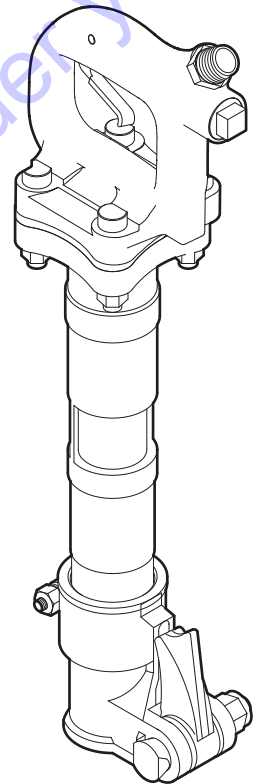




Chicago Pneumatic Construction Tools

Spare parts list

**Handheld pneumatic pick hammers
CP 0111 CHLA, CP 0111 CHIT**



**Discount
Equipment**

www.discount-equipment.com

PARTS FINDER

**Search Website
by Part Number**



**Search Manual
Library For Parts
Manual & Lookup Part
Numbers – Purchase
or Request Quote**

Search Manuals

Enter your information to help us find the right parts manual for your machine.

* Brand:

* Model:

* Serial:

* Part Number:

SEARCH

**Can't Find Part or
Manual? Request Help
by Manufacturer,
Model & Description**

Parts Order Form

Please fill in the following information to help us find the right part for your machine.

Manufacturer:	<input type="text"/>
Model:	<input type="text"/>
Description:	<input type="text"/>
Part Number:	<input type="text"/>
Quantity:	<input type="text"/>
Notes:	<input type="text"/>

Submit

Discount-Equipment.com is your online resource for quality parts & equipment.

Florida: **561-964-4949** Outside Florida TOLL FREE: **877-690-3101**

Need parts?

Click on this link: <http://www.discount-equipment.com/category/5443-parts/> and choose one of the options to help get the right parts and equipment you are looking for. Please have the machine model and serial number available in order to help us get you the correct parts. If you don't find the part on the website or on one of the online manuals, please fill out the request form and one of our experienced staff members will get back to you with a quote for the right part that your machine needs.

We sell worldwide for the brands: Genie, Terex, JLG, MultiQuip, Mikasa, Essick, Whiteman, Mayco, Toro Stone, Diamond Products, Generac Magnum, Airman, Haulotte, Barreto, Power Blanket, Nifty Lift, Atlas Copco, Chicago Pneumatic, Allmand, Miller Curber, Skyjack, Lull, Skytrak, Tsurumi, Husquvarna Target, Stow, Wacker, Sakai, Mi-T-M, Sullair, Basic, Dynapac, MBW, Weber, Bartell, Bennar Newman, Haulotte, Ditch Runner, Menegotti, Morrison, Contec, Buddy, Crown, Edco, Wyco, Bomag, Laymor, EZ Trench, Bil-Jax, F.S. Curtis, Gehl Pavers, Heli, Honda, ICS/PowerGrit, IHI, Partner, Imer, Clipper, MMD, Koshin, Rice, CH&E, General Equipment, Amida, Coleman, NAC, Gradall, Square Shooter, Kent, Stanley, Tamco, Toku, Hatz, Kohler, Robin, Wisconsin, Northrock, Oztec, Toker TK, Rol-Air, APT, Wylie, Ingersoll Rand / Doosan, Innovatech, Con X, Ammann, Mecalac, Makinex, Smith Surface Prep, Small Line, Wanco, Yanmar



Go to Discount-Equipment.com to order your parts

2009-03

No. 9800 0886 93

© Copyright Chicago Pneumatic Construction Tools
STOCKHÖLM • SWEDEN



Contents

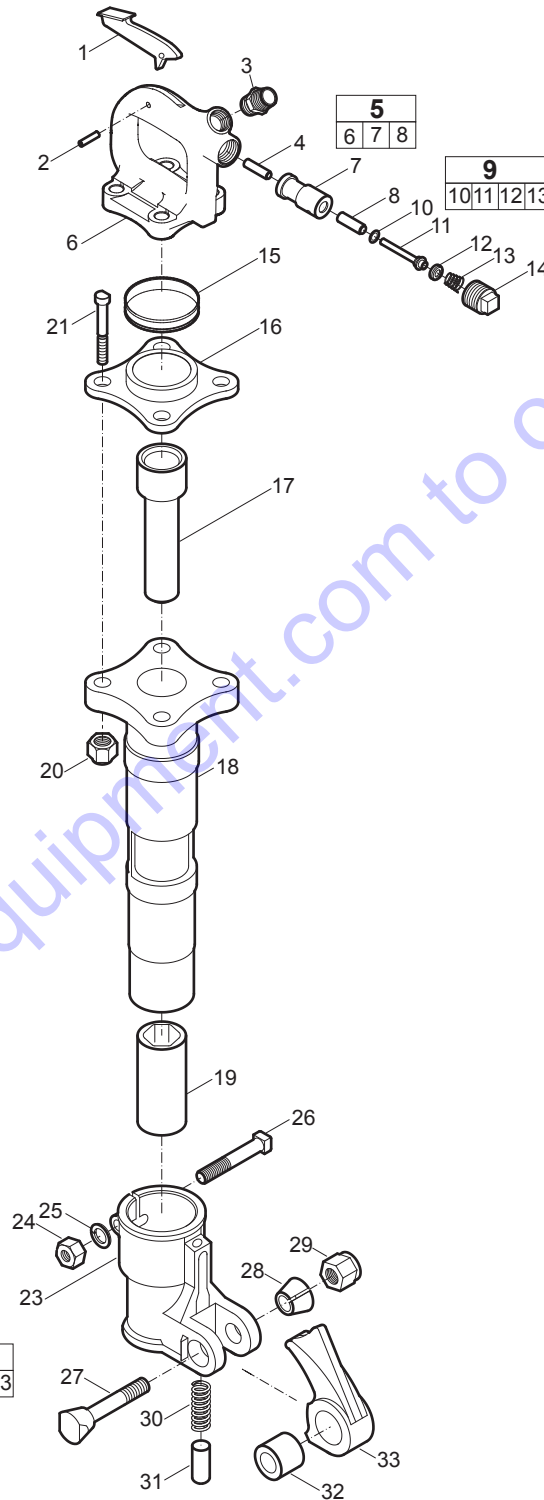
Spare parts list	4
CP 0111 CHLA	4
CP 0111 CHIT.....	6
Working tools	8
ISO standard hexagon 22 x 82.5 mm ($\frac{7}{8}$ " x $3\frac{1}{4}$ ").....	8
ISO standard hexagon 25 x 108 mm (1" x $4\frac{1}{4}$ ").....	8
US standard hexagon $\frac{7}{8}$ " x $3\frac{1}{4}$ " (22 x 82.5 mm).....	9
US standard hexagon 1" x $4\frac{1}{4}$ " (25 x 108 mm)	9

Go to Discount-Equipment.com to order your parts



Spare parts list

CP 0111 CHLA



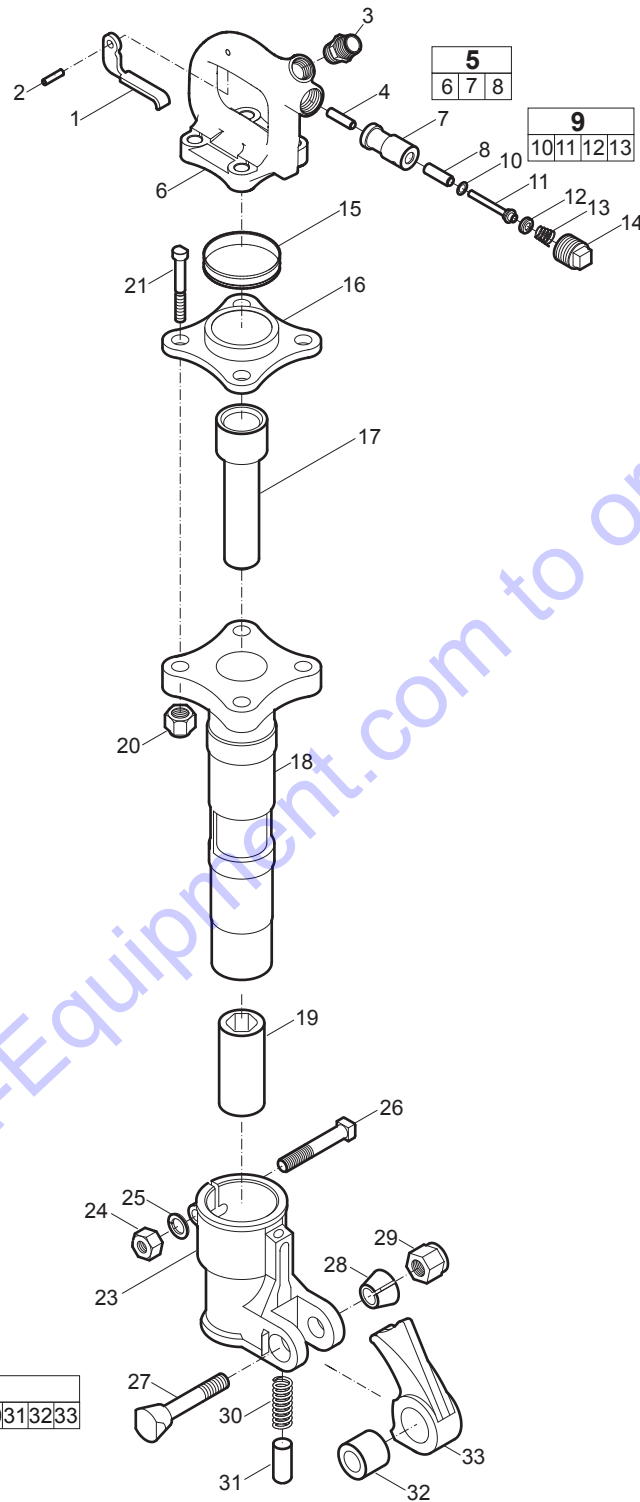
22										
23	24	25	26	27	28	29	30	31	32	33



No.	Description	Remark	Quantity	Part number
1	Lever - Throttle valve		1	P003070
2	Pin - Lever		1	A043627
3	Nipple - Air inlet		1	R075227
4	Pin - Push		1	P005156
5(6-8)	Backhead, complete		1	R070114
6	Backhead		1	-
7	Bushing - Throttle valve		1	P005154
8	Bushing - Push pin		1	P005157
9(10-13)	Throttle valve, complete		1	Z8249416
10	O-ring		1	-
11	Valve - Throttle		1	-
12	Retainer - O-ring		1	-
13	Spring - Throttle		1	-
14	Plug - Throttle valve		1	P001884
15	Valve		1	R070103
16	Block - Valve		1	3303 0051 35
17	Piston		1	R070102
18	Cylinder		1	-
19	Bushing	Hexagon, 1" x 4¼"	1	R070112
20	Nut - Backhead bolt	¾" -18	4	P006099
21	Bolt - Backhead	¾" -18	4	R070111
22(23-33)	Latch retainer, complete		1	R092500
23	Head - Latch retainer		1	-
24	Nut - Head latch	½" -13	1	R000555
25	Lockwasher - Head latch		1	C036717
26	Bolt - Head latch	½" -13 x 2¾"	1	P002123
27	Bolt - Latch retainer	5/8" -18 x 3½"	1	R092498
28	Bushing - Latch retainer bolt		1	R092499
29	Nut - Latch retainer	5/8" -18	1	P081091
30	Spring - Latch retainer plunger		1	R086982
31	Plunger - Latch retainer		1	R092497
32	Bushing - Latch retainer		1	R048540
33	Retainer - Latch		1	R092493



CP 0111 CHIT

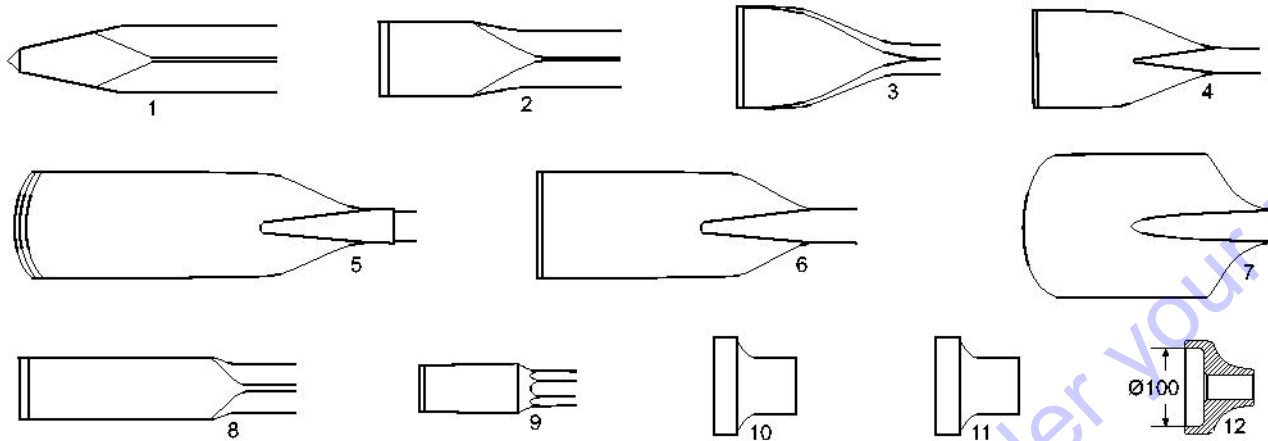




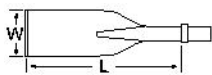
No.	Description	Remark	Quantity	Part number
1	Lever - Throttle valve		1	R093103
2	Pin - Lever		1	A043627
3	Nipple - Air inlet		1	R075227
4	Pin - Push		1	P005156
5(6-8)	Backhead, complete		1	R070114
6	Backhead		1	-
7	Bushing - Throttle valve		1	P005154
8	Bushing - Push pin		1	P005157
9(10-13)	Throttle valve, complete		1	Z8249416
10	O-ring		1	-
11	Valve - Throttle		1	-
12	Retainer - O-ring		1	-
13	Spring - Throttle		1	-
14	Plug - Throttle valve		1	P001884
15	Valve		1	R070103
16	Block - Valve		1	3303 0051 35
17	Piston		1	R070102
18	Cylinder		1	-
19	Bushing	Hexagon, 7/8" x 3/4"	1	F813919
20	Nut - Backhead bolt	9/16" -18	4	P006099
21	Bolt - Backhead	9/16" -18	4	R070111
22(23-33)	Latch retainer, complete		1	R092500
23	Head - Latch retainer		1	-
24	Nut - Head latch	1/2" -13	1	R000555
25	Lockwasher - Head latch		1	C036717
26	Bolt - Head latch	1/2" -13 x 2 3/4"	1	P002123
27	Bolt - Latch retainer	5/8" -18 x 3 1/2"	1	R092498
28	Bushing - Latch retainer bolt		1	R092499
29	Nut - Latch retainer	5/8" -18	1	P081091
30	Spring - Latch retainer plunger		1	R086982
31	Plunger - Latch retainer		1	R092497
32	Bushing - Latch retainer		1	R048540
33	Retainer - Latch		1	R092493



Working tools

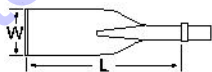


ISO standard hexagon 22 x 82.5 mm ($\frac{7}{8}$ " x $3\frac{1}{4}$ ")



No.	Description	W (mm)	L (mm)	Part number
1	Moil point	-	380	3083 3242 00
		-	1000	3083 3243 00
2	Narrow chisel	-	380	3083 3244 00
		-	1000	3083 3245 00
3	Wide chisel	75	380	3083 3246 00
4	Asphalt cutter	125	380	3083 3069 00
5	Digging chisel	75	450	3083 3247 00
6	Digging spade	120	400	3083 3248 00
7	Clay spade	125	430	3083 3249 00
8	Wedge chisel	35	380	3083 3250 00
9	Shaft for tamping pad	-	310	3083 3251 00
10	Tamping pad, round	175	-	3083 3252 10
11	Tamping pad, square	175	-	3083 3239 00
12	Driver pad, round	100	-	9245 2817 90

ISO standard hexagon 25 x 108 mm (1" x 4 $\frac{1}{4}$ ")

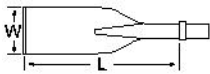


No.	Description	W (mm)	L (mm)	Part number
1	Moil point	-	380	3083 3253 00
2	Narrow chisel	-	380	3083 3254 00
3	Wide chisel	75	380	3083 3255 00



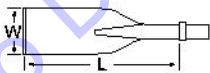
No.	Description	W (mm)	L (mm)	Part number
5	Digging chisel	75	380	3083 3256 00
6	Digging spade	120	380	3083 3257 00
7	Clay spade	125	430	3083 3033 00
8	Wedge chisel	35	380	3083 3258 00
9	Shaft for tamping pad	-	280	3083 3259 00
10	Tamping pad, round	175	-	3083 3252 10
11	Tamping pad, square	175	-	3083 3239 00
12	Driver pad, round	100	-	9245 2817 90

US standard hexagon $\frac{7}{8}$ " x $3\frac{1}{4}$ " (22 x 82.5 mm)



No.	Description	W (in.)	L (in.)	Part number
1	Moil point	-	14	3083 4050 00
		-	18	3083 4050 10
		-	24	3083 4050 20
2	Narrow chisel	-	14	3083 3303 00
		-	18	3083 4051 10
		-	24	3083 3304 00
3	Wide chisel	4	14	3083 3305 00
		$4\frac{3}{4}$	18	3083 4052 10
4	Asphalt cutter	5	16	3083 4053 00
5	Digging chisel	3	14	3083 3306 00
6	Digging spade	$4\frac{3}{4}$	13	3083 3307 00
7	Clay spade	5	17	3083 3308 00
8	Wedge chisel	$1\frac{3}{8}$	15	3083 4057 00
9	Shaft for tamping pad	-	8	3083 4058 00
10	Tamping pad, round	7	-	3083 3252 10
11	Tamping pad, square	7	-	3083 3239 00
12	Driver pad, round	4	-	9245 2817 90

US standard hexagon 1" x $4\frac{1}{4}$ " (25 x 108 mm)



No.	Description	W (in.)	L (in.)	Part number
1	Moil point	-	15	3083 4030 00
		-	18	3083 4030 10
		-	24	3083 4030 20
2	Narrow chisel	$1\frac{3}{32}$	15	3083 3309 00
		$1\frac{3}{32}$	18	3083 4031 10
		$1\frac{3}{32}$	24	3083 4031 20
3	Wide chisel	3	15	3083 3310 00



No.	Description	W (in.)	L (in.)	Part number
		3	18	3083 4032 00
4	Asphalt cutter	5	13	3083 4033 00
5	Digging chisel	3	15	3083 3311 00
6	Digging spade	4 $\frac{3}{4}$	15	3083 3312 00
7	Clay spade	5	17	3083 4035 00
8	Wedge chisel	2	15	3083 3313 00
9	Shaft for tamping pad	-	11	3083 4037 00
10	Tamping pad, round	7	-	3083 3252 10
11	Tamping pad, square	7	-	3083 3239 00
12	Driver pad, round	4	-	9245 2817 90

Go to Discount-Equipment.com to order your parts



www.discount-equipment.com

2009-03

No.9800 0886 93

© Copyright Chicago Pneumatic Construction Tools
STOCKHÖLM • SWEDEN

Chicago Pneumatic Construction Tools

Go to Discount-Equipment.com to order your parts

PARTS FINDER

**Search Website
by Part Number**



**Search Manual
Library For Parts
Manual & Lookup Part
Numbers – Purchase
or Request Quote**

Search Manuals

Enter your information to help us find the right parts manual for your machine.

* Brand:

* Model:

* Serial:

* Part Number:

SEARCH

**Can't Find Part or
Manual? Request Help
by Manufacturer,
Model & Description**

Parts Order Form

Please fill in the following information to help us find the right part for your machine.

Manufacturer:	<input type="text"/>
Model:	<input type="text"/>
Description:	<input type="text"/>
Part Number:	<input type="text"/>
Quantity:	<input type="text"/>
Notes:	<input type="text"/>

Submit

Discount-Equipment.com is your online resource for quality parts & equipment.

Florida: **561-964-4949** Outside Florida TOLL FREE: **877-690-3101**

Need parts?

Click on this link: <http://www.discount-equipment.com/category/5443-parts/> and choose one of the options to help get the right parts and equipment you are looking for. Please have the machine model and serial number available in order to help us get you the correct parts. If you don't find the part on the website or on one of the online manuals, please fill out the request form and one of our experienced staff members will get back to you with a quote for the right part that your machine needs.

We sell worldwide for the brands: Genie, Terex, JLG, MultiQuip, Mikasa, Essick, Whiteman, Mayco, Toro Stone, Diamond Products, Generac Magnum, Airman, Haulotte, Barreto, Power Blanket, Nifty Lift, Atlas Copco, Chicago Pneumatic, Allmand, Miller Curber, Skyjack, Lull, Skytrak, Tsurumi, Husquvarna Target, Stow, Wacker, Sakai, Mi-T-M, Sullair, Basic, Dynapac, MBW, Weber, Bartell, Bennar Newman, Haulotte, Ditch Runner, Menegotti, Morrison, Contec, Buddy, Crown, Edco, Wyco, Bomag, Laymor, EZ Trench, Bil-Jax, F.S. Curtis, Gehl Pavers, Heli, Honda, ICS/PowerGrit, IHI, Partner, Imer, Clipper, MMD, Koshin, Rice, CH&E, General Equipment, Amida, Coleman, NAC, Gradall, Square Shooter, Kent, Stanley, Tamco, Toku, Hatz, Kohler, Robin, Wisconsin, Northrock, Oztec, Toker TK, Rol-Air, APT, Wylie, Ingersoll Rand / Doosan, Innovatech, Con X, Ammann, Mecalac, Makinex, Smith Surface Prep, Small Line, Wanco, Yanmar