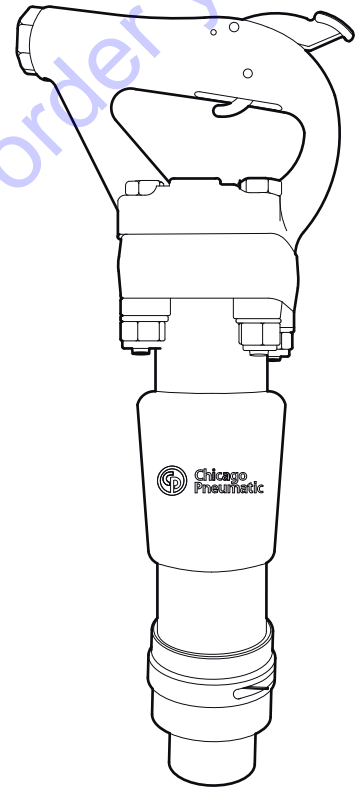




**Chicago
Pneumatic**

Spare parts list

**Handheld pneumatic chipping hammers
CP 4130 3R, CP 4130 3H, CP 4130 4R, CP 4130 4H**



**Discount
Equipment**

www.discount-equipment.com

PARTS FINDER

**Search Website
by Part Number**



**Search Manual
Library For Parts
Manual & Lookup Part
Numbers – Purchase
or Request Quote**

Search Manuals

Enter your information to help us find the right parts manual for your machine.

* Brand:

* Model:

* Serial:

* Part Number:

SEARCH

**Can't Find Part or
Manual? Request Help
by Manufacturer,
Model & Description**

Parts Order Form

Please fill in the following information to help us find the right part for your machine.

Manufacturer:	<input type="text"/>
Model:	<input type="text"/>
Description:	<input type="text"/>
Part Number:	<input type="text"/>
Quantity:	<input type="text"/>
Notes:	<input type="text"/>

Submit

Discount-Equipment.com is your online resource for quality parts & equipment.

Florida: **561-964-4949** Outside Florida TOLL FREE: **877-690-3101**

Need parts?

Click on this link: <http://www.discount-equipment.com/category/5443-parts/> and choose one of the options to help get the right parts and equipment you are looking for. Please have the machine model and serial number available in order to help us get you the correct parts. If you don't find the part on the website or on one of the online manuals, please fill out the request form and one of our experienced staff members will get back to you with a quote for the right part that your machine needs.

We sell worldwide for the brands: Genie, Terex, JLG, MultiQuip, Mikasa, Essick, Whiteman, Mayco, Toro Stone, Diamond Products, Generac Magnum, Airman, Haulotte, Barreto, Power Blanket, Nifty Lift, Atlas Copco, Chicago Pneumatic, Allmand, Miller Curber, Skyjack, Lull, Skytrak, Tsurumi, Husquvarna Target, Stow, Wacker, Sakai, Mi-T-M, Sullair, Basic, Dynapac, MBW, Weber, Bartell, Bennar Newman, Haulotte, Ditch Runner, Menegotti, Morrison, Contec, Buddy, Crown, Edco, Wyco, Bomag, Laymor, EZ Trench, Bil-Jax, F.S. Curtis, Gehl Pavers, Heli, Honda, ICS/PowerGrit, IHI, Partner, Imer, Clipper, MMD, Koshin, Rice, CH&E, General Equipment, Amida, Coleman, NAC, Gradall, Square Shooter, Kent, Stanley, Tamco, Toku, Hatz, Kohler, Robin, Wisconsin, Northrock, Oztec, Toker TK, Rol-Air, APT, Wylie, Ingersoll Rand / Doosan, Innovatech, Con X, Ammann, Mecalac, Makinex, Smith Surface Prep, Small Line, Wanco, Yanmar

Go to Discount-Equipment.com to order your parts

Contents

General information	5
Spare parts list	6
CP 4130 3R	6
CP 4130 3H	8
CP 4130 4R	10
CP 4130 4H	12
Working tools	14
Hexagon 0.580 in. (14.7 mm), oval collar.....	14
Hexagon 0.580 in. (14.7 mm), round collar.....	14
Round 0.680 in. (17.3 mm), oval collar.....	15
Round 0.680 in. (17.3 mm), round collar.....	16
Hexagon 14.7 mm (0.580 in.), oval collar.....	16
Hexagon 14.7 mm (0.580 in.), round collar.....	17
Round 17.3 mm (0.680 in.), oval collar.....	17
Round 17.3 mm (0.680 in.), round collar.....	18
Accessories	19
Accessories.....	19
Hose rolls.....	19
Pre-mounted universal hoses with claw couplings.....	20
Water separator.....	20
Lubricator.....	20
CP airolene plus tool oil.....	21

Go to Discount-Equipment.com to order your parts

General information

This spare parts list applies to the following:

Description
Handheld pneumatic chipping hammers CP 4130 3R
Handheld pneumatic chipping hammers CP 4130 3H
Handheld pneumatic chipping hammers CP 4130 4R
Handheld pneumatic chipping hammers CP 4130 4H

Use only authorized parts. Any damage or malfunction caused by the use of unauthorized parts is not covered by Warranty or Product Liability. Any unauthorized use or copying of the contents or any part thereof is prohibited. This applies in particular to trademarks, model denominations, part numbers, and drawings.

Instructions for use

This spare parts list contains no safety regulations and is merely intended to assist in the ordering of spare parts.

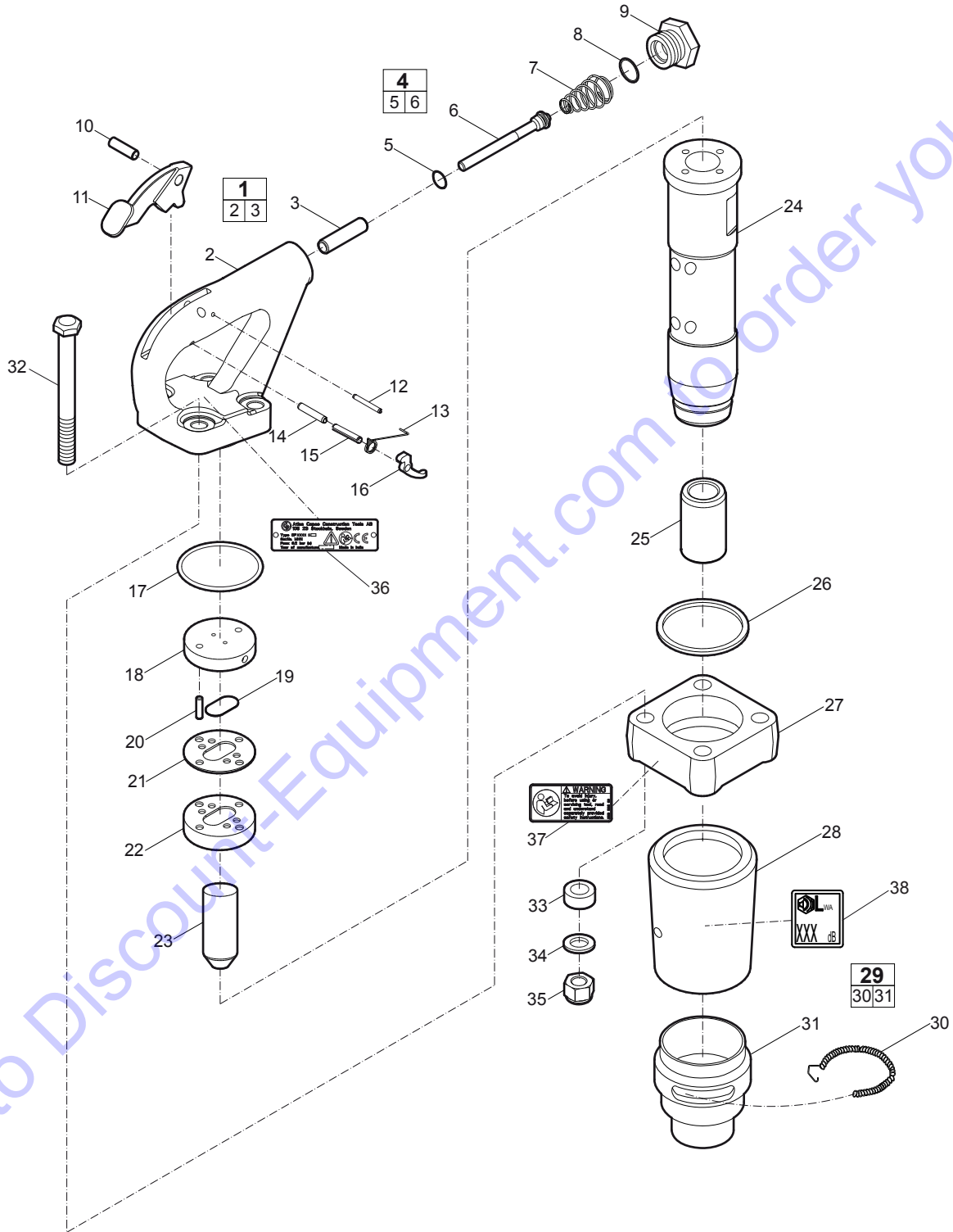
For information about operating, servicing, or repairing, the relevant Safety and operating instructions must be consulted at all costs.

Please observe the safety instructions listed in the relevant Safety and operating instructions!

Go to Discount-Equipment.com to order your parts

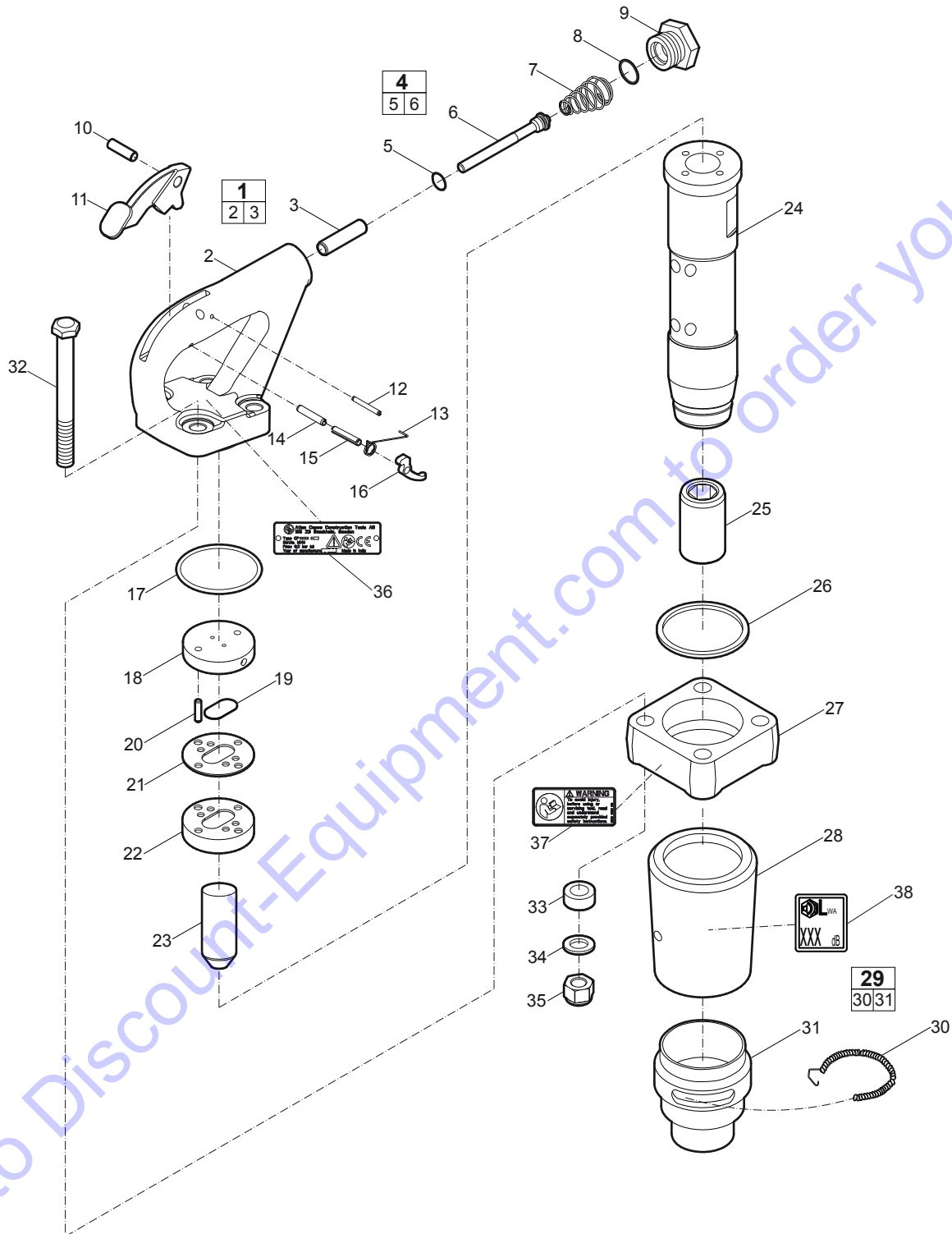
Spare parts list

CP 4130 3R



No.	Description	Remark	Quantity	Part number
1(2-3)	Handle, complete		1	Z8342857
2	Handle		1	-
3	Throttle valve bushing		1	-
4(5-6)	Throttle valve, complete		1	R157957
5	O-ring - Throttle valve		1	R138140
6	Throttle valve		1	-
7	Throttle valve spring		1	R157960
8	O-ring - Air inlet bushing		1	C046471
9	Air inlet bushing		1	R085595
10	Pin - Lever		1	A043627
11	Lever		1	R157990
12	Pin - Stop	1/8 in. (3.2 mm)	1	G071660
13	Lock-off spring		1	R157956
14	Pin - Lock-off trigger	5/32 in. (4.0 mm)	1	R158137
15	Pin - Lock-off trigger	3/32 in. (2.4 mm)	1	R158138
16	Lock-off trigger		1	R157955
17	O-ring		1	C116352
18	Lid - Upper valve case		1	P071350
19	Valve		1	P071358
20	Pin - Dowel		2	A041797
21	Case - Valve		1	P071352
22	Lid - Lower valve case		1	P071351
23	Piston	3 in. (76 mm)	1	P118662
24	Cylinder		1	-
25	Bushing - Round	0.680 in. (17.3 mm)	1	P001550
26	Ring - Clamp		1	R157952
27	Flange - Cylinder		1	R157951
28	Muffler		1	P155535
29(30-31)	Sleeve - Retainer, complete		1	P107243
30	Spring - Lock coil		1	P070994
31	Sleeve - Retainer		1	-
32	Bolt		4	R157954
33	Bumper		4	R155421
34	Washer		4	R158143
35	Nyloc nut		4	R157953
36	Data label		1	-
37	Safety label		1	3310 1602 00
38	Noise level label		1	-

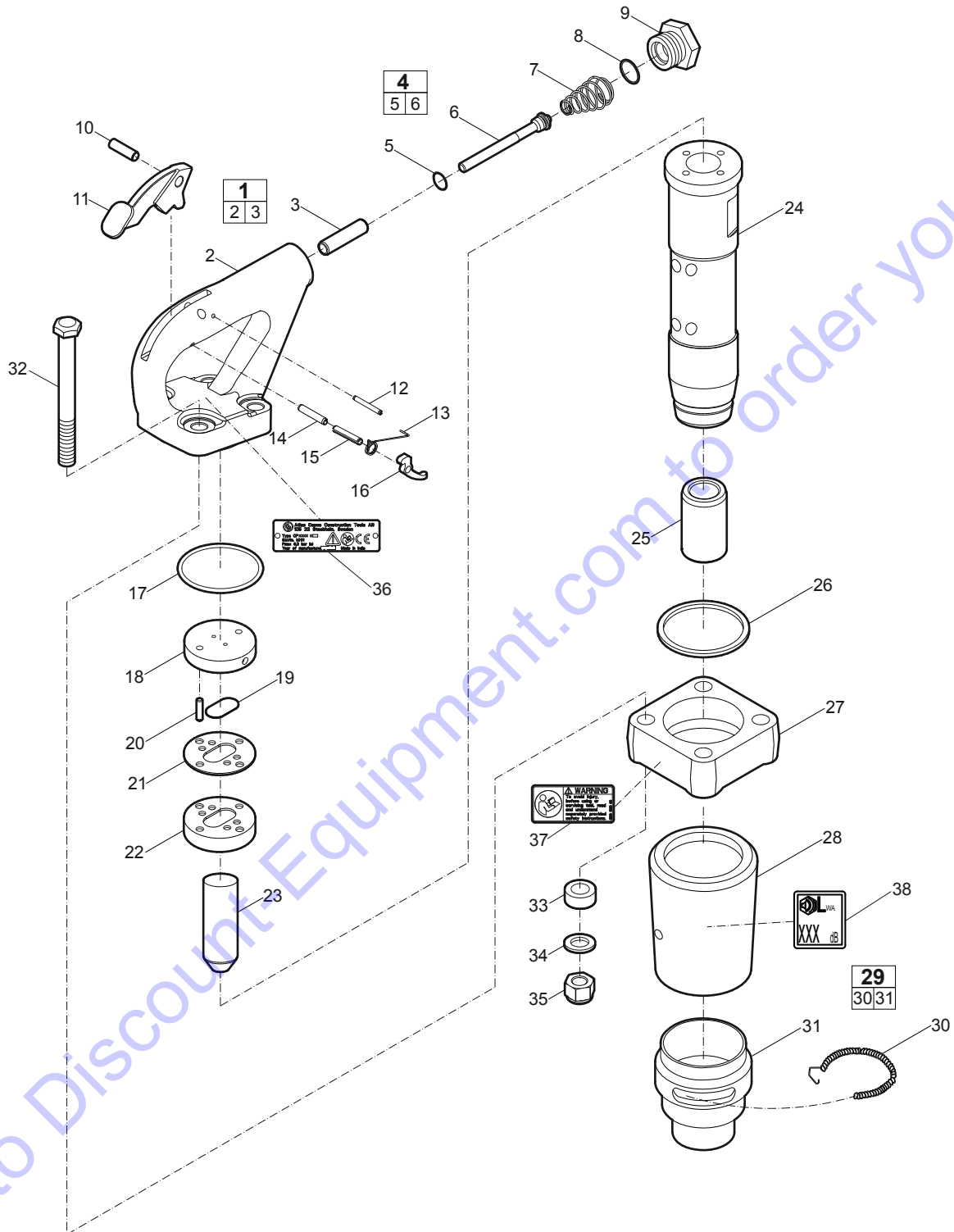
CP 4130 3H



Go to Discount-Equipment.com to order your parts

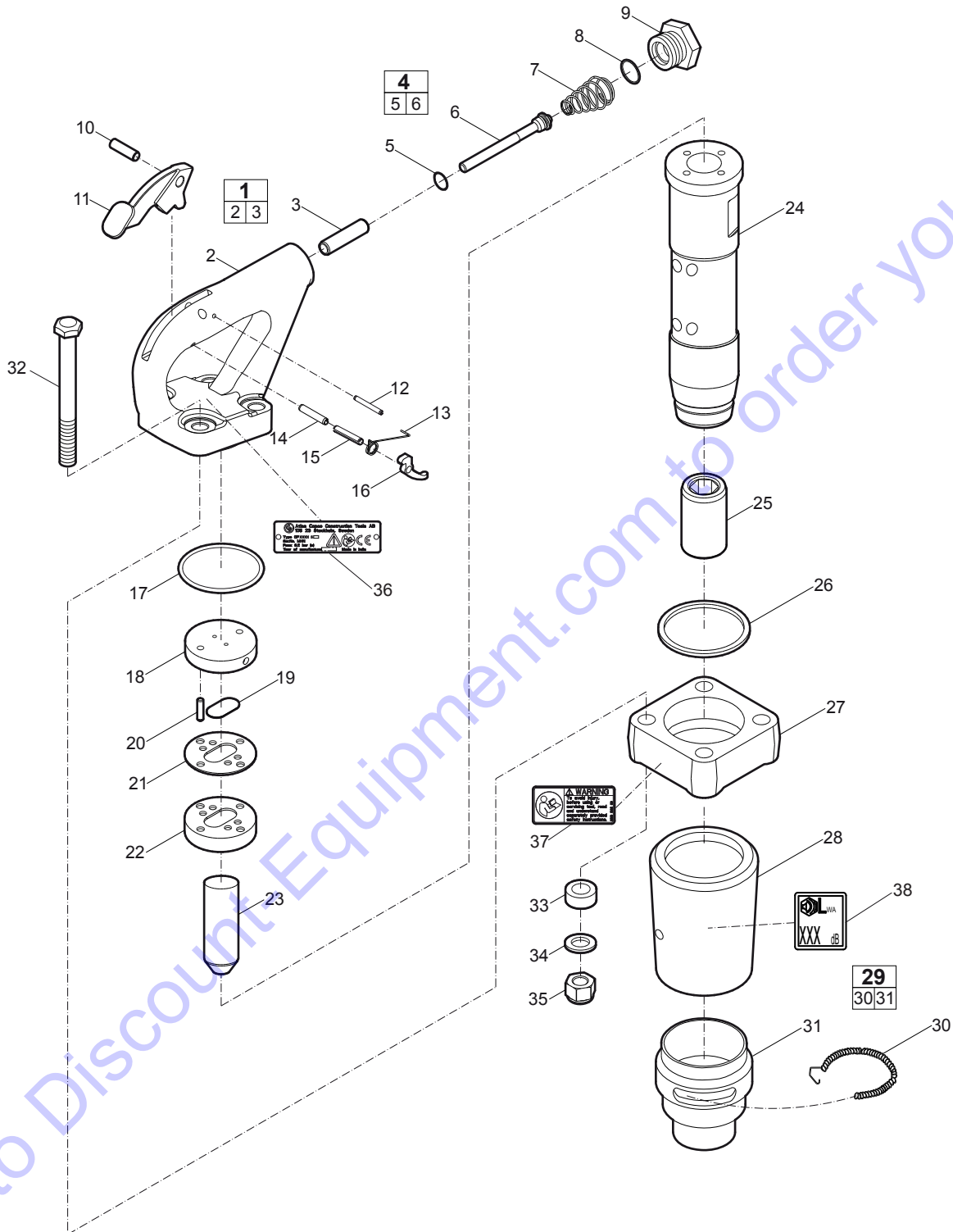
No.	Description	Remark	Quantity	Part number
1(2-3)	Handle, complete		1	Z8342857
2	Handle		1	-
3	Throttle valve bushing		1	-
4(5-6)	Throttle valve, complete		1	R157957
5	O-ring - Throttle valve		1	R138140
6	Throttle valve		1	-
7	Throttle valve spring		1	R157960
8	O-ring - Air inlet bushing		1	C046471
9	Air inlet bushing		1	R085595
10	Pin - Lever		1	A043627
11	Lever		1	R157990
12	Pin - Stop	1/8 in. (3.2 mm)	1	G071660
13	Lock-off spring		1	R157956
14	Pin - Lock-off trigger	5/32 in. (4.0 mm)	1	R158137
15	Pin - Lock-off trigger	3/32 in. (2.4 mm)	1	R158138
16	Lock-off trigger		1	R157955
17	O-ring		1	C116352
18	Lid - Upper valve case		1	P071350
19	Valve		1	P071358
20	Pin - Dowel		2	A041797
21	Case - Valve		1	P071352
22	Lid - Lower valve case		1	P071351
23	Piston	3 in. (76 mm)	1	P118662
24	Cylinder		1	-
25	Bushing - Hexagon	0.580 in. (14.7 mm)	1	P001551
26	Ring - Clamp		1	R157952
27	Flange - Cylinder		1	R157951
28	Muffler		1	P155535
29(30-31)	Sleeve - Retainer, complete		1	P107243
30	Spring - Lock coil		1	P070994
31	Sleeve - Retainer		1	-
32	Bolt		4	R157954
33	Bumper		4	R155421
34	Washer		4	R158143
35	Nyloc nut		4	R157953
36	Data plate		1	-
37	Safety label		1	3310 1602 00
38	Noise level label		1	-

CP 4130 4R



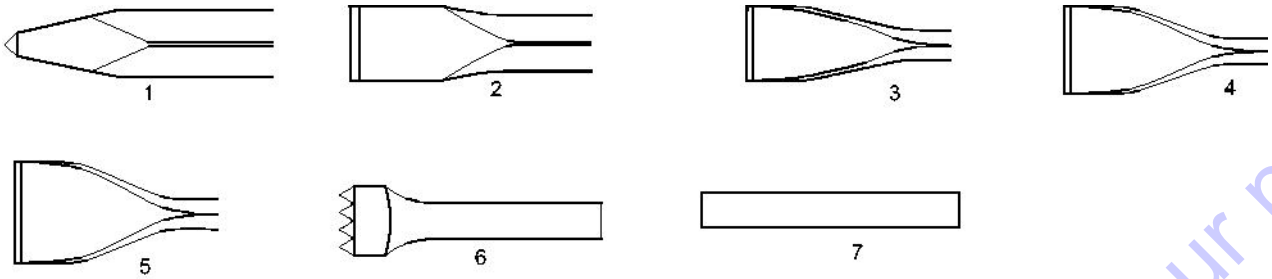
No.	Description	Remark	Quantity	Part number
1(2-3)	Handle, complete		1	Z8342857
2	Handle		1	-
3	Throttle valve bushing		1	-
4(5-6)	Throttle valve, complete		1	R157957
5	O-ring - Throttle valve		1	R138140
6	Throttle valve		1	-
7	Throttle valve spring		1	R157960
8	O-ring - Air inlet bushing		1	C046471
9	Air inlet bushing		1	R085595
10	Pin - Lever		1	A043627
11	Lever		1	R157990
12	Pin - Stop	1/8 in. (3.2 mm)	1	G071660
13	Lock-off spring		1	R157956
14	Pin - Lock-off trigger	5/32 in. (4.0 mm)	1	R158137
15	Pin - Lock-off trigger	3/32 in. (2.4 mm)	1	R158138
16	Lock-off trigger		1	R157955
17	O-ring		1	C116352
18	Lid - Upper valve case		1	P071350
19	Valve		1	P071358
20	Pin - Dowel		2	A041797
21	Case - Valve		1	P071352
22	Lid - Lower valve case		1	P071351
23	Piston	4 in. (102 mm)	1	P118678
24	Cylinder		1	-
25	Bushing - Round	0.680 in. (17.3 mm)	1	P001550
26	Ring - Clamp		1	R157952
27	Flange - Cylinder		1	R157951
28	Muffler		1	P155535
29(30-31)	Sleeve - Retainer, complete		1	P107243
30	Spring - Lock coil		1	P070994
31	Sleeve - Retainer		1	-
32	Bolt		4	R157954
33	Bumper		4	R155421
34	Washer		4	R158143
35	Nyloc nut		4	R157953
36	Data plate		1	-
37	Safety label		1	3310 1602 00
38	Noise level label		1	-

CP 4130 4H

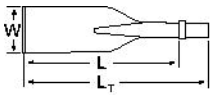


No.	Description	Remark	Quantity	Part number
1(2-3)	Handle, complete		1	Z8342857
2	Handle		1	-
3	Throttle valve bushing		1	-
4(5-6)	Throttle valve, complete		1	R157957
5	O-ring - Throttle valve		1	R138140
6	Throttle valve		1	-
7	Throttle valve spring		1	R157960
8	O-ring - Air inlet bushing		1	C046471
9	Air inlet bushing		1	R085595
10	Pin - Lever		1	A043627
11	Lever		1	R157990
12	Pin - Stop	1/8 in. (3.2 mm)	1	G071660
13	Lock-off spring		1	R157956
14	Pin - Lock-off trigger	5/32 in. (4.0 mm)	1	R158137
15	Pin - Lock-off trigger	3/32 in. (2.4 mm)	1	R158138
16	Lock-off trigger		1	R157955
17	O-ring		1	C116352
18	Lid - Upper valve case		1	P071350
19	Valve		1	P071358
20	Pin - Dowel		2	A041797
21	Case - Valve		1	P071352
22	Lid - Lower valve case		1	P071351
23	Piston	4 in. (102 mm)	1	P118678
24	Cylinder		1	-
25	Bushing - Hexagon	0.580 in. (14.7 mm)	1	P001551
26	Ring - Clamp		1	R157952
27	Flange - Cylinder		1	R157951
28	Muffler		1	P155535
29(30-31)	Sleeve - Retainer, complete		1	P107243
30	Spring - Lock coil		1	P070994
31	Sleeve - Retainer		1	-
32	Bolt		4	R157954
33	Bumper		4	R155421
34	Washer		4	R158143
35	Nyloc nut		4	R157953
36	Data plate		1	-
37	Safety label		1	3310 1602 00
38	Noise level label		1	-

Working tools

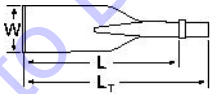


Hexagon 0.580 in. (14.7 mm), oval collar



No.	Description	W (in.)	L (in.)	L _T (in.)	Wt (lb)	Part number
1	Moil point	-	6¼	9	1.3	3083 4120 00
		-	9¼	12	1.8	3083 4120 10
		-	15	18	2.4	3083 4120 20
2	Narrow chisel	-	6¼	9	1.3	3083 4121 00
		-	9¼	12	1.8	3083 4121 10
		-	15	18	2.4	3083 4121 20
3	Wide chisel	1½	6¼	9	1.5	3083 4122 00
		1½	9¼	12	2.0	3083 4122 10
		1½	15	18	2.6	3083 4122 20
4	Wide chisel	2	6¼	9	1.8	3083 4122 30
		2	9¼	12	2.2	3083 4122 40
		2	15	18	3.1	3083 4122 50
5	Wide chisel	2½	6¼	9	1.8	3083 4122 60
		2½	9¼	12	2.2	3083 4122 70
		2½	15	18	3.1	3083 4122 80
		3	6¼	9	1.5	3083 4122 90
6	Bushing tool	2	6¼	9½	2.6	3083 4124 00
7	Chisel blank	Ø¾	5	8	1.1	3083 4125 00
		Ø¾	9¼	12	1.5	3083 4125 10

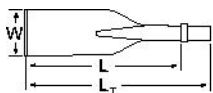
Hexagon 0.580 in. (14.7 mm), round collar



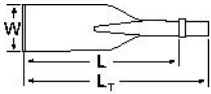
No.	Description	W (in.)	L (in.)	L _T (in.)	Wt (lb)	Part number
1	Moil point	-	6¼	9	1.3	3083 4130 00
		-	9¼	12	1.8	3083 4130 10
		-	15	18	2.4	3083 4130 20
2	Narrow chisel	-	6¼	9	1.3	3083 4131 00
		-	9¼	12	1.8	3083 4131 10

No.	Description	W (in.)	L (in.)	L _T (in.)	Wt (lb)	Part number
		-	15	18	2.4	3083 4131 20
3	Wide chisel	1½	6¼	9	1.5	3083 4132 00
		1½	9¼	12	2.0	3083 4132 10
		1½	15	18	2.6	3083 4132 20
4	Wide chisel	2	6¼	9	1.8	3083 4132 30
		2	9¼	12	2.2	3083 4132 40
		2	15	18	3.1	3083 4132 50
5	Wide chisel	2½	6¼	9	1.8	3083 4132 60
		2½	9¼	12	2.2	3083 4132 70
		2½	15	18	3.1	3083 4132 80
		3	6¼	9	1.5	3083 4132 90
6	Bushing tool	2	6¼	9½	2.6	3083 4134 00
7	Chisel blank	¾	5	8¼	1.1	3083 4125 05
		¾	9¼	11¼	1.5	3083 4125 15

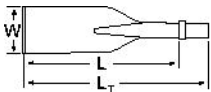
Round 0.680 in. (17.3 mm), oval collar



No.	Description	W (in.)	L (in.)	L _T (in.)	Wt (lb)	Part number
1	Moil point	-	6¼	9	1.3	3083 4100 00
		-	9¼	12	1.8	3083 4100 10
		-	15	18	2.4	3083 4100 20
2	Narrow chisel	-	6¼	9	1.3	3083 4101 00
		-	9¼	12	1.8	3083 4101 10
		-	15	18	2.4	3083 4101 20
3	Wide chisel	1½	6¼	9	1.5	3083 4102 00
		1½	9¼	12	2.0	3083 4102 10
		1½	15	18	2.6	3083 4102 20
4	Wide chisel	2	6¼	9	1.8	3083 4102 30
		2	9¼	12	2.2	3083 4102 40
		2	15	18	3.1	3083 4102 50
5	Wide chisel	2½	6¼	9	1.8	3083 4102 60
		2½	9¼	12	2.2	3083 4102 70
		2½	15	18	3.1	3083 4102 80
		3	6¼	9	1.5	3083 4102 90
6	Bushing tool	2	6¼	9½	2.6	3083 4104 00
7	Chisel blank	Ø¾	5	8	1.1	3083 4105 00
		Ø¾	9¼	12	1.5	3083 4105 10

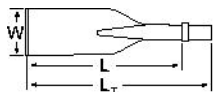
Round 0.680 in. (17.3 mm), round collar

No.	Description	W (in.)	L (in.)	L _T (in.)	Wt (lb)	Part number
1	Moil point	-	6¼	9	1.3	3083 4110 00
		-	9¼	12	1.8	3083 4110 10
		-	15	18	2.4	3083 4110 20
2	Narrow chisel	-	6¼	9	1.3	3083 4111 00
		-	9¼	12	1.8	3083 4111 10
		-	15	18	2.4	3083 4111 20
3	Wide chisel	1½	6¼	9	1.5	3083 4112 00
		1½	9¼	12	2.0	3083 4112 10
		1½	15	18	2.6	3083 4112 20
4	Wide chisel	2	6¼	9	1.8	3083 4112 30
		2	9¼	12	2.2	3083 4112 40
		2	15	18	3.1	3083 4112 50
5	Wide chisel	2½	6¼	9	1.8	3083 4112 60
		2½	9¼	12	2.2	3083 4112 70
		2½	15	18	3.1	3083 4112 80
		3	6¼	9	1.5	3083 4112 90
6	Bushing tool	2	6¾	9½	2.6	3083 4114 00
7	Chisel blank	¾	5	8¼	1.1	3083 4105 05
		¾	9¼	11¼	1.5	3083 4105 15

Hexagon 14.7 mm (0.580 in.), oval collar

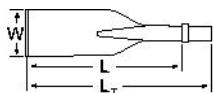
No.	Description	W (mm)	L (mm)	L _T (mm)	Wt (kg)	Part number
1	Moil point	-	160	230	0.6	3083 4120 00
		-	235	305	0.8	3083 4120 10
		-	380	450	1.1	3083 4120 20
2	Narrow chisel	-	160	230	0.6	3083 4121 00
		-	235	305	0.8	3083 4121 10
		-	380	450	1.1	3083 4121 20
3	Wide chisel	38	160	230	0.7	3083 4122 00
		38	235	305	0.9	3083 4122 10
		38	380	450	1.2	3083 4122 20
4	Wide chisel	50	160	230	0.8	3083 4122 30
		50	235	350	1.0	3083 4122 40
		50	380	450	1.4	3083 4122 50
5	Wide chisel	65	160	230	0.8	3083 4122 60
		65	235	305	1.0	3083 4122 70
		65	380	450	1.4	3083 4122 80
		75	160	230	0.7	3083 4122 90
6	Bushing tool	50	170	240	1.2	3083 4124 00
7	Chisel blank	Ø20	130	200	0.5	3083 4125 00
		Ø20	235	305	0.7	3083 4125 10

Hexagon 14.7 mm (0.580 in.), round collar

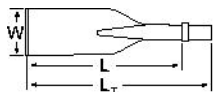


No.	Description	W (mm)	L (mm)	L _T (mm)	Wt (kg)	Part number
1	Moil point	-	160	230	0.6	3083 4130 00
		-	235	305	0.8	3083 4130 10
		-	380	450	1.1	3083 4130 20
2	Narrow chisel	-	160	230	0.6	3083 4131 00
		-	235	305	0.8	3083 4131 10
		-	380	450	1.1	3083 4131 20
3	Wide chisel	38	160	230	0.7	3083 4132 00
		38	235	305	0.9	3083 4132 10
		38	380	450	1.2	3083 4132 20
4	Wide chisel	50	160	230	0.8	3083 4132 30
		50	235	350	1.0	3083 4132 40
		50	380	450	1.4	3083 4132 50
5	Wide chisel	65	160	230	0.8	3083 4132 60
		65	235	305	1.0	3083 4132 70
		65	380	450	1.4	3083 4132 80
		75	160	230	0.7	3083 4132 90
6	Bushing tool	50	170	240	1.2	3083 4134 00
7	Chisel blank	20	130	200	0.5	3083 4125 05
		20	235	305	0.7	3083 4125 15

Round 17.3 mm (0.680 in.), oval collar



No.	Description	W (mm)	L (mm)	L _T (mm)	Wt (kg)	Part number
1	Moil point	-	160	230	0.6	3083 4100 00
		-	235	305	0.8	3083 4100 10
		-	380	450	1.1	3083 4100 20
2	Narrow chisel	-	160	230	0.6	3083 4101 00
		-	235	305	0.8	3083 4101 10
		-	380	450	1.1	3083 4101 20
3	Wide chisel	38	160	230	0.7	3083 4102 00
		38	235	305	0.9	3083 4102 10
		38	380	450	1.2	3083 4102 20
4	Wide chisel	50	160	230	0.8	3083 4102 30
		50	235	350	1.0	3083 4102 40
		50	380	450	1.4	3083 4102 50
5	Wide chisel	65	160	230	0.8	3083 4102 60
		65	235	305	1.0	3083 4102 70
		65	380	450	1.4	3083 4102 80
		75	160	230	0.7	3083 4102 90
6	Bushing tool	50	170	240	1.2	3083 4104 00
7	Chisel blank	Ø20	130	200	0.5	3083 4105 00
		Ø20	235	305	0.7	3083 4105 10

Round 17.3 mm (0.680 in.), round collar

No.	Description	W (mm)	L (mm)	L _T (mm)	Wt (kg)	Part number
1	Moil point	-	160	230	0.6	3083 4110 00
		-	235	305	0.8	3083 4110 10
		-	380	450	1.1	3083 4110 20
2	Narrow chisel	-	160	230	0.6	3083 4111 00
		-	235	305	0.8	3083 4111 10
		-	380	450	1.1	3083 4111 20
3	Wide chisel	38	160	230	0.7	3083 4112 00
		38	235	305	0.9	3083 4112 10
		38	380	450	1.2	3083 4112 20
4	Wide chisel	50	160	230	0.8	3083 4112 30
		50	235	350	1.0	3083 4112 40
		50	380	450	1.4	3083 4112 50
5	Wide chisel	65	160	230	0.8	3083 4112 60
		65	235	305	1.0	3083 4112 70
		65	380	450	1.4	3083 4112 80
		75	160	230	0.7	3083 4112 90
6	Bushing tool	50	170	240	1.2	3083 4114 00
7	Chisel blank	20	130	200	0.5	3083 4105 05
		20	235	305	0.7	3083 4105 15

Accessories

Accessories

Description	Remark	Quantity	Part number
Quick change retainer	Oval collar	1	P114062
AT Lug-type retainer	Oval collar	1	P092869
Ball-type retainer	Round collar	1	P137735
Heavy duty wire		1	P139189
Polyurethane wire		1	P135246

Hose rolls

Metric

Description	Inner diameter (mm)	Thickness (mm)	Maximum working pressure (bar)	Length of roll (m)	Weight (kg)	Part number
Red-X hose roll	19	2.0	20	60	11	8900 0050 10
Red-X hose roll	19	2.0	20	100	18	8900 0050 11
Red-X hose roll	19	2.0	20	200	36	8900 0050 12
Red-X hose roll	25	2.5	20	60	15	8900 0050 20
Red-X hose roll	25	2.5	20	100	25	8900 0050 21
Red-X hose roll	25	2.5	20	200	50	8900 0050 22

Imperial

Description	Inner diameter (in.)	Thickness (in.)	Maximum working pressure (psi)	Length of roll (ft)	Weight (lb)	Part number
Red-X hose roll	¾	⅝	290	195	24.3	8900 0050 10
Red-X hose roll	¾	⅝	290	325	39.7	8900 0050 11
Red-X hose roll	¾	⅝	290	650	79.4	8900 0050 12
Red-X hose roll	1	⅜	290	195	33.1	8900 0050 20
Red-X hose roll	1	⅜	290	325	55.1	8900 0050 21
Red-X hose roll	1	⅜	290	650	110.2	8900 0050 22

Pre-mounted universal hoses with claw couplings

Metric

Description	Inner diameter (mm)	Thickness (mm)	Maximum working pressure (bar)	Length of roll (m)	Weight (kg)	Part number
Red-X universal hose	19	2.0	20	20	4.5	8900 0050 09
Red-X universal hose	25	2.5	20	20	6.0	8900 0050 23

Imperial

Description	Inner diameter (in.)	Thickness (in.)	Maximum working pressure (psi)	Length of roll (ft)	Weight (lb)	Part number
Red-X universal hose	¾	¼	290	50	8.8	8900 0050 08
Red-X universal hose	1	⅜	290	50	11.0	8900 0050 24

Water separator

Metric

Description	Hose connection (mm)	Air flow (l/s)	Weight (kg)	Part number
Water separator (¾" BSP)	20	61	0.8	8900 0050 00

Imperial

Description	Hose connection (in.)	Air flow (foot ³ /min)	Weight (lb)	Part number
Water separator (¾" NPT)	¾	130	1.8	8900 0050 01

Lubricator

Metric

Description	Hose connection (mm)	Air flow (l/s)	Oil volume (l)	Weight (kg)	Part number
Lubricator 1300 (1" BSP)	25	15-140	1.3	3	8900 0050 02

Imperial

Description	Hose connection (in.)	Air flow (foot ³ /min)	Oil volume (US gallon)	Weight (lb)	Part number
Lubricator 43 (1" NPT)	1	32-300	0.34	6.6	8900 0050 07

CP airolene plus tool oil

Metric

Description	Oil volume (l)	Part number
5 l container	5	8099 0202 49
4 x 5 l container	20	8099 0202 51

Imperial

Description	Oil volume (US gallon)	Part number
1.32 US gallon container	1.32	8099 0202 49
4 x 1.32 US gallon container	5.28	8099 0202 51

Go to Discount-Equipment.com to order your parts



**Chicago
Pneumatic**



www.discount-equipment.com

Go to Discount-Equipment.com to order your parts

2010-04 | No. 9800 0539 01

© Copyright Atlas Copco Construction Tools AB | STOCKHOLM • SWEDEN

PARTS FINDER

**Search Website
by Part Number**



**Search Manual
Library For Parts
Manual & Lookup Part
Numbers – Purchase
or Request Quote**

Search Manuals

Enter your information to help us find the right parts manual for your machine.

* Brand:

* Model:

* Serial:

* Part Number:

SEARCH

**Can't Find Part or
Manual? Request Help
by Manufacturer,
Model & Description**

Parts Order Form

Please fill in the following information to help us find the right part for your machine.

Manufacturer:	<input type="text"/>
Model:	<input type="text"/>
Description:	<input type="text"/>
Part Number:	<input type="text"/>
Quantity:	<input type="text"/>
Notes:	<input type="text"/>

Submit

Discount-Equipment.com is your online resource for quality parts & equipment.

Florida: **561-964-4949** Outside Florida TOLL FREE: **877-690-3101**

Need parts?

Click on this link: <http://www.discount-equipment.com/category/5443-parts/> and choose one of the options to help get the right parts and equipment you are looking for. Please have the machine model and serial number available in order to help us get you the correct parts. If you don't find the part on the website or on one of the online manuals, please fill out the request form and one of our experienced staff members will get back to you with a quote for the right part that your machine needs.

We sell worldwide for the brands: Genie, Terex, JLG, MultiQuip, Mikasa, Essick, Whiteman, Mayco, Toro Stone, Diamond Products, Generac Magnum, Airman, Haulotte, Barreto, Power Blanket, Nifty Lift, Atlas Copco, Chicago Pneumatic, Allmand, Miller Curber, Skyjack, Lull, Skytrak, Tsurumi, Husquvarna Target, Stow, Wacker, Sakai, Mi-T-M, Sullair, Basic, Dynapac, MBW, Weber, Bartell, Bennar Newman, Haulotte, Ditch Runner, Menegotti, Morrison, Contec, Buddy, Crown, Edco, Wyco, Bomag, Laymor, EZ Trench, Bil-Jax, F.S. Curtis, Gehl Pavers, Heli, Honda, ICS/PowerGrit, IHI, Partner, Imer, Clipper, MMD, Koshin, Rice, CH&E, General Equipment, Amida, Coleman, NAC, Gradall, Square Shooter, Kent, Stanley, Tamco, Toku, Hatz, Kohler, Robin, Wisconsin, Northrock, Oztec, Toker TK, Rol-Air, APT, Wylie, Ingersoll Rand / Doosan, Innovatech, Con X, Ammann, Mecalac, Makinex, Smith Surface Prep, Small Line, Wanco, Yanmar