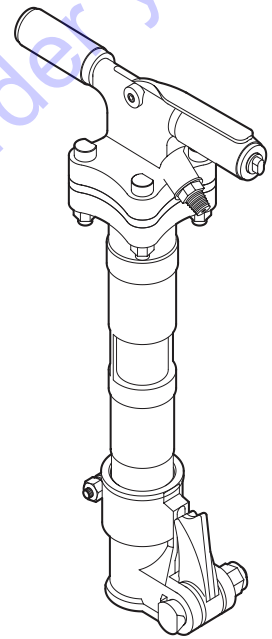




**Chicago  
Pneumatic**

## **Spare parts list**

**Handheld pneumatic breakers  
CP 0112, CP 0112 S, CP 0112 EX**



Go to [Discount-Equipment.com](http://Discount-Equipment.com) to order your parts



[www.discount-equipment.com](http://www.discount-equipment.com)

# PARTS FINDER

**Search Website  
by Part Number**



**Search Manual  
Library For Parts  
Manual & Lookup Part  
Numbers – Purchase  
or Request Quote**

**Search Manuals**

Enter your information to help us find the right parts manual for your machine.

\* Brand:

\* Model:

\* Serial:

\* Part Number:

SEARCH

**Can't Find Part or  
Manual? Request Help  
by Manufacturer,  
Model & Description**

**Parts Order Form**

Please fill in the following information to help us find the right part for your machine.

Manufacturer:	<input type="text"/>
Model:	<input type="text"/>
Description:	<input type="text"/>
Part Number:	<input type="text"/>
Quantity:	<input type="text"/>
Notes:	<input type="text"/>

Submit

Discount-Equipment.com is your online resource for quality parts & equipment.

Florida: **561-964-4949** Outside Florida TOLL FREE: **877-690-3101**

**Need parts?**

Click on this link: <http://www.discount-equipment.com/category/5443-parts/> and choose one of the options to help get the right parts and equipment you are looking for. Please have the machine model and serial number available in order to help us get you the correct parts. If you don't find the part on the website or on one of the online manuals, please fill out the request form and one of our experienced staff members will get back to you with a quote for the right part that your machine needs.

We sell worldwide for the brands: Genie, Terex, JLG, MultiQuip, Mikasa, Essick, Whiteman, Mayco, Toro Stone, Diamond Products, Generac Magnum, Airman, Haulotte, Barreto, Power Blanket, Nifty Lift, Atlas Copco, Chicago Pneumatic, Allmand, Miller Curber, Skyjack, Lull, Skytrak, Tsurumi, Husquvarna Target, Stow, Wacker, Sakai, Mi-T-M, Sullair, Basic, Dynapac, MBW, Weber, Bartell, Bennar Newman, Haulotte, Ditch Runner, Menegotti, Morrison, Contec, Buddy, Crown, Edco, Wyco, Bomag, Laymor, EZ Trench, Bil-Jax, F.S. Curtis, Gehl Pavers, Heli, Honda, ICS/PowerGrit, IHI, Partner, Imer, Clipper, MMD, Koshin, Rice, CH&E, General Equipment, Amida, Coleman, NAC, Gradall, Square Shooter, Kent, Stanley, Tamco, Toku, Hatz, Kohler, Robin, Wisconsin, Northrock, Oztec, Toker TK, Rol-Air, APT, Wylie, Ingersoll Rand / Doosan, Innovatech, Con X, Ammann, Mecalac, Makinex, Smith Surface Prep, Small Line, Wanco, Yanmar

## General information

This spare parts list applies to the following:

Part number	Description
8900003023	CP 0112 H25x108 (1x4¼) US
8900003026	CP 0112 H22x82.5 (7/8x3¼) US
8900003024	CP 0112 EX H25x108 (1x4¼) US
8900003027	CP 0112 EX H22x82.5 (7/8x3¼) US
8900003025	CP 0112 S H25x108 (1x4¼) US

Use only authorized parts. Any damage or malfunction caused by the use of unauthorized parts is not covered by Warranty or Product Liability. Any unauthorized use or copying of the contents or any part thereof is prohibited. This applies in particular to trademarks, model denominations, part numbers, and drawings.

### Instructions for use

This spare parts list contains no safety regulations and is merely intended to assist in the ordering of spare parts.

For information about operating, servicing, or repairing, the relevant Safety and operating instructions must be consulted at all costs.

Please observe the safety instructions listed in the relevant Safety and operating instructions!

Contents

**Spare parts list**

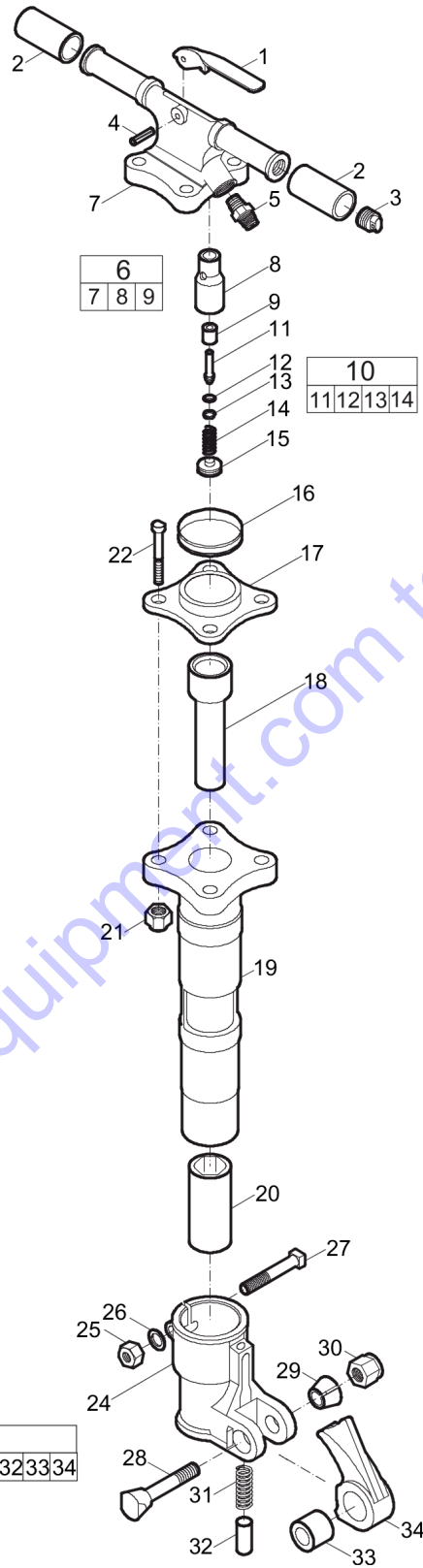
CP 0112 H25x108 (1x4¼) US	1
CP 0112 H22x82.5 (7⁄8x3¼) US	3
CP 0112 S H25x108 (1x4¼) US	5
CP 0112 EX H25x108 (1x4¼) US	7
CP 0112 EX H22x82.5 (7⁄8x3¼) US	9

**Working tools**

US standard hexagon 7⁄8 x 3¼ in. (22 x 82.5 mm)	11
US standard hexagon 1 x 4¼ in. (25 x 108 mm)	13

Go to Discount-Equipment.com to order your parts

**Spare parts list** CP 0112 H25x108 (1x4¼) US



Refer to Parts Online for the most up to date information. The printed information might be outdated.

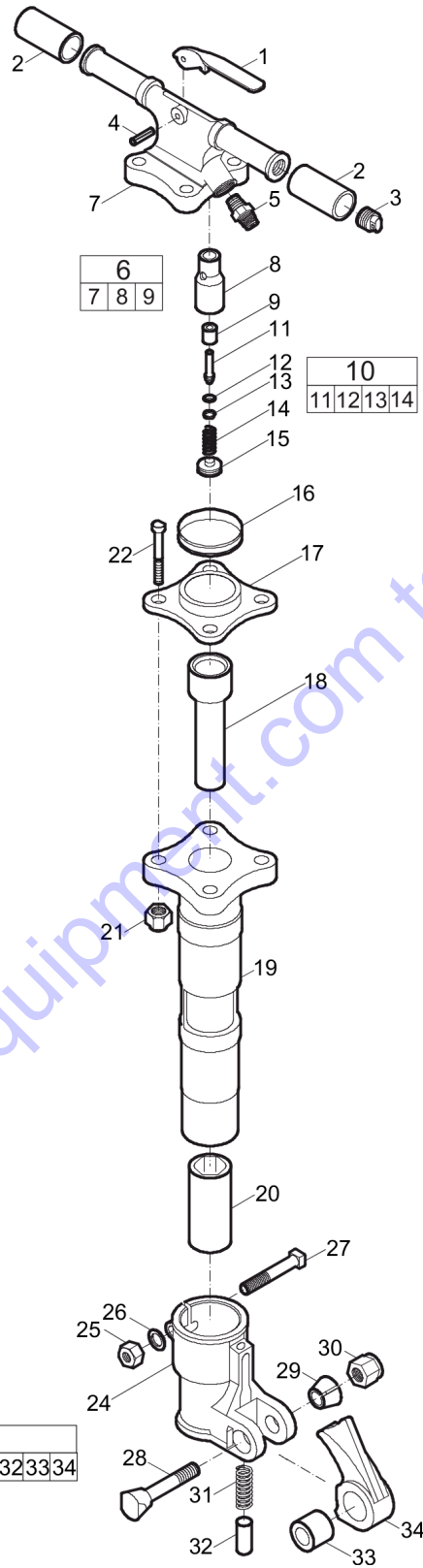
Fri Aug 28 06:17:56 MDT 2015

Item	Part No.	Name	Qty	L
1	R070110	Lever - Throttle valve	1	
2	R005716	Backhead handle grip	2	
3	R000560	Oil plug	1	
4	R133433	Roll pin	1	
5	R075227	Nipple - Air inlet	1	
6	R070105	Backhead, complete	1	
7	--	Backhead	1	
8	R070106	Bushing - Throttle valve	1	
9	R070109	Bushing - Throttle valve stem	1	
10	R045370	Valve - Throttle, complete	1	
11	--	Valve - Throttle	1	
12	--	Seal - Valve	1	
13	--	Retainer - Seal	1	
14	--	Spring - Throttle valve	1	
15	R070108	Plug - Throttle valve bushing	1	
16	R070103	Valve	1	
17	3303005135	Block - Valve	1	
18	R070102	Piston	1	
19	-	Cylinder	1	
20	R070112	Bushing, Hexagon, 1" x 4 1/4"	1	
21	P006099	Nut - Backhead bolt 9/16 in. -18	4	
22	R070111	Bolt - Backhead 9/16 in. -18	4	
23	R092500	Latch retainer, complete	1	
24	--	Head - Latch retainer	1	
25	R000555	Nut - Head latch 1/2 in. -13	1	
26	C036717	Lockwasher - Head latch	1	
27	P002123	Bolt - Head latch, 1/2" -13 x 2 3/4"	1	
28	R092498	Bolt - Latch retainer, 5/8" -18 x 3 1/2"	1	
29	R092499	Bushing - Latch retainer bolt	1	
30	P081091	Nut - Self locking, 5/8 in. - UNF - 3B	1	
31	R086982	Spring - plunger	1	
32	R092497	Plunger - latch	1	
33	R048540	Retainer latch bush	1	
34	R092493	Retainer - latch	1	

Refer to Parts Online for the most up to date information. The printed information might be outdated.

Fri Aug 28 06:17:56 MDT 2015

**Spare parts list** CP 0112 H22x82.5 (7/8x3¼) US



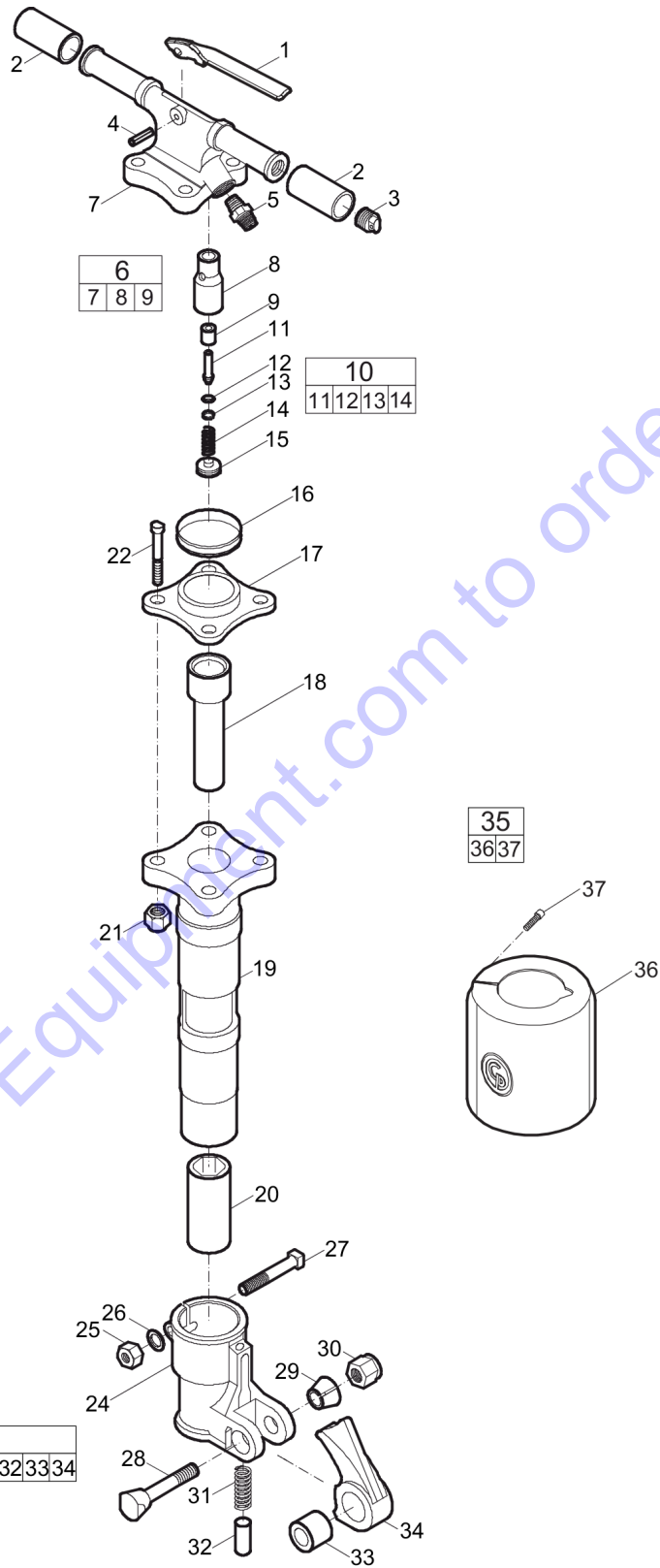
Item	Part No.	Name	Qty	L
1	R070110	Lever - Throttle valve	1	
2	R005716	Backhead handle grip	2	
3	R000560	Oil plug	1	
4	R133433	Roll pin	1	
5	R075227	Nipple - Air inlet	1	
6	R070105	Backhead, complete	1	
7	-	Backhead	1	
8	R070106	Bushing - Throttle valve	1	
9	R070109	Bushing - Throttle valve stem	1	
10	R045370	Valve - Throttle, complete	1	
11	-	Valve - Throttle	1	
12	-	Seal - Valve	1	
13	-	Retainer - Seal	1	
14	-	Spring - Throttle valve	1	
15	R070108	Plug - Throttle valve bushing	1	
16	R070103	Valve	1	
17	3303005135	Block - Valve	1	
18	R070102	Piston	1	
19	-	Cylinder	1	
20	F813919	Bushing, hexagon 7/8" x 3 1/4"	1	
21	P006099	Nut - Backhead bolt 9/16 in. -18	4	
22	R070111	Bolt - Backhead 9/16 in. -18	4	
23	R092500	Latch retainer, complete	1	
24	-	Head - Latch retainer	1	
25	R000555	Nut - Head latch 1/2 in. -13	1	
26	C036717	Lockwasher - Head latch	1	
27	P002123	Bolt - Head latch, 1/2" -13 x 2 3/4"	1	
28	R092498	Bolt - Latch retainer, 5/8" -18 x 3 1/2"	1	
29	R092499	Bushing - Latch retainer bolt	1	
30	P081091	Nut - Self locking, 5/8 in. - UNF - 3B	1	
31	R086982	Spring - plunger	1	
32	R092497	Plunger - latch	1	
33	R048540	Retainer latch bush	1	
34	R092493	Retainer - latch	1	

Refer to Parts Online for the most up to date information. The printed information might be outdated.

Fri Aug 28 06:17:57 MDT 2015



**Spare parts list** CP 0112 S H25x108 (1x4¼) US



Refer to Parts Online for the most up to date information. The printed information might be outdated.

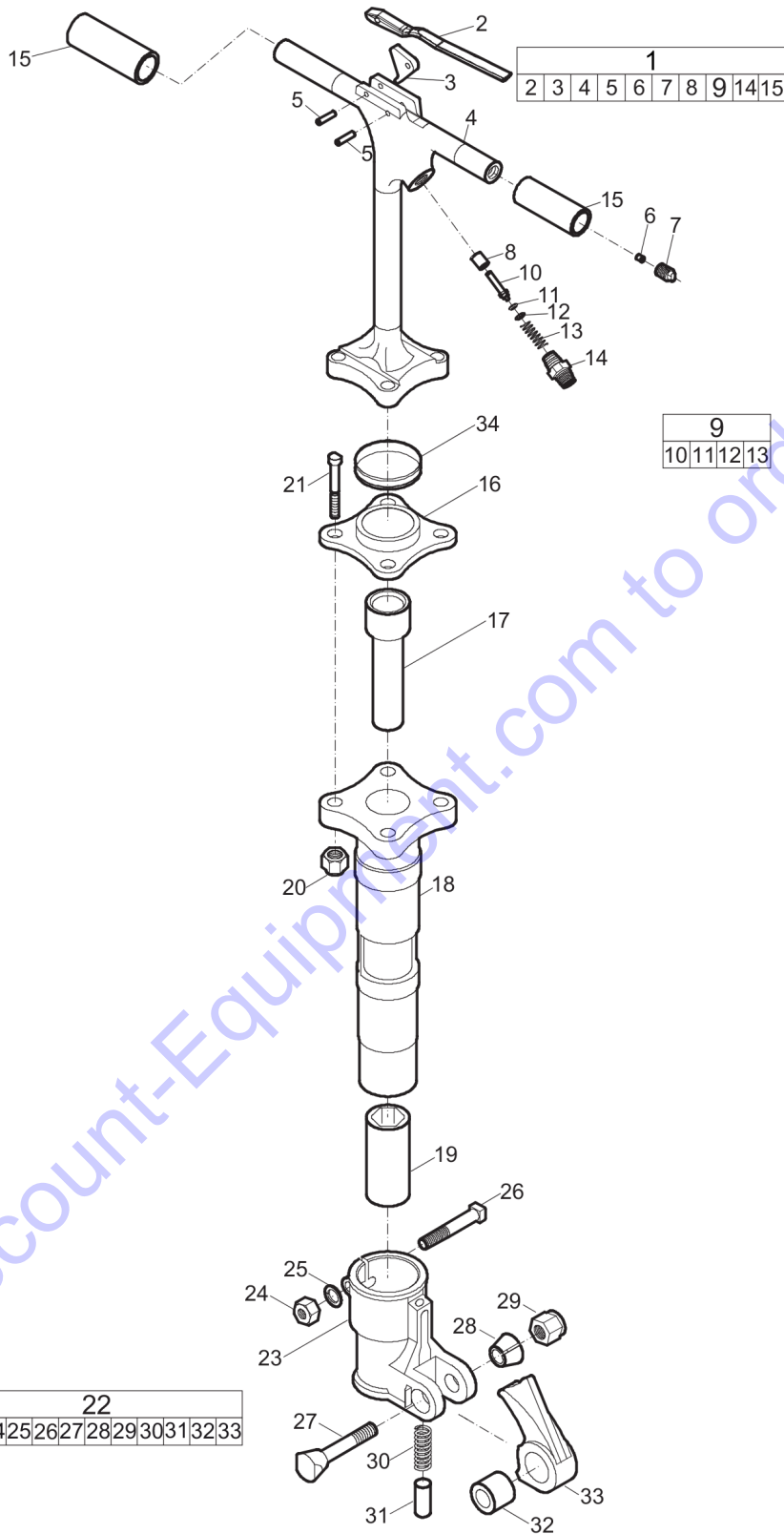
Fri Aug 28 06:17:58 MDT 2015

Item	Part No.	Name	Qty	L
1	R070110	Lever - Throttle valve	1	
2	R005716	Backhead handle grip	2	
3	R000560	Oil plug	1	
4	R133433	Roll pin	1	
5	R075227	Nipple - Air inlet	1	
6	R070105	Backhead, complete	1	
7	--	Backhead	1	
8	R070106	Bushing - Throttle valve	1	
9	R070109	Bushing - Throttle valve stem	1	
10	R045370	Valve - Throttle, complete	1	
11	--	Valve - Throttle	1	
12	--	Seal - Valve	1	
13	--	Retainer - Seal	1	
14	--	Spring - Throttle valve	1	
15	R070108	Plug - Throttle valve bushing	1	
16	R070103	Valve	1	
17	3303005135	Block - Valve	1	
18	R070102	Piston	1	
19	-	Cylinder	1	
20	R070112	Bushing, Hexagon, 1" x 4 1/4"	1	
21	P006099	Nut - Backhead bolt 9/16 in. -18	4	
22	R070111	Bolt - Backhead 9/16 in. -18	4	
23	R092500	Latch retainer, complete	1	
24	--	Head - Latch retainer	1	
25	R000555	Nut - Head latch 1/2 in. -13	1	
26	C036717	Lockwasher - Head latch	1	
27	P002123	Bolt - Head latch, 1/2" -13 x 2 3/4"	1	
28	R092498	Bolt - Latch retainer, 5/8" -18 x 3 1/2"	1	
29	R092499	Bushing - Latch retainer bolt	1	
30	P081091	Nut - Self locking, 5/8 in. - UNF - 3B	1	
31	R086982	Spring - plunger	1	
32	R092497	Plunger - latch	1	
33	R048540	Retainer latch bush	1	
34	R092493	Retainer - latch	1	
35	F814133	Muffler, complete	1	
36	--	Muffler	1	
37	P072446	Screw - Hexagon socket, 1/4 in. x 28 TPI	4	

Refer to Parts Online for the most up to date information. The printed information might be outdated.

Fri Aug 28 06:17:58 MDT 2015

**Spare parts list** CP 0112 EX H25x108 (1x4¼) US

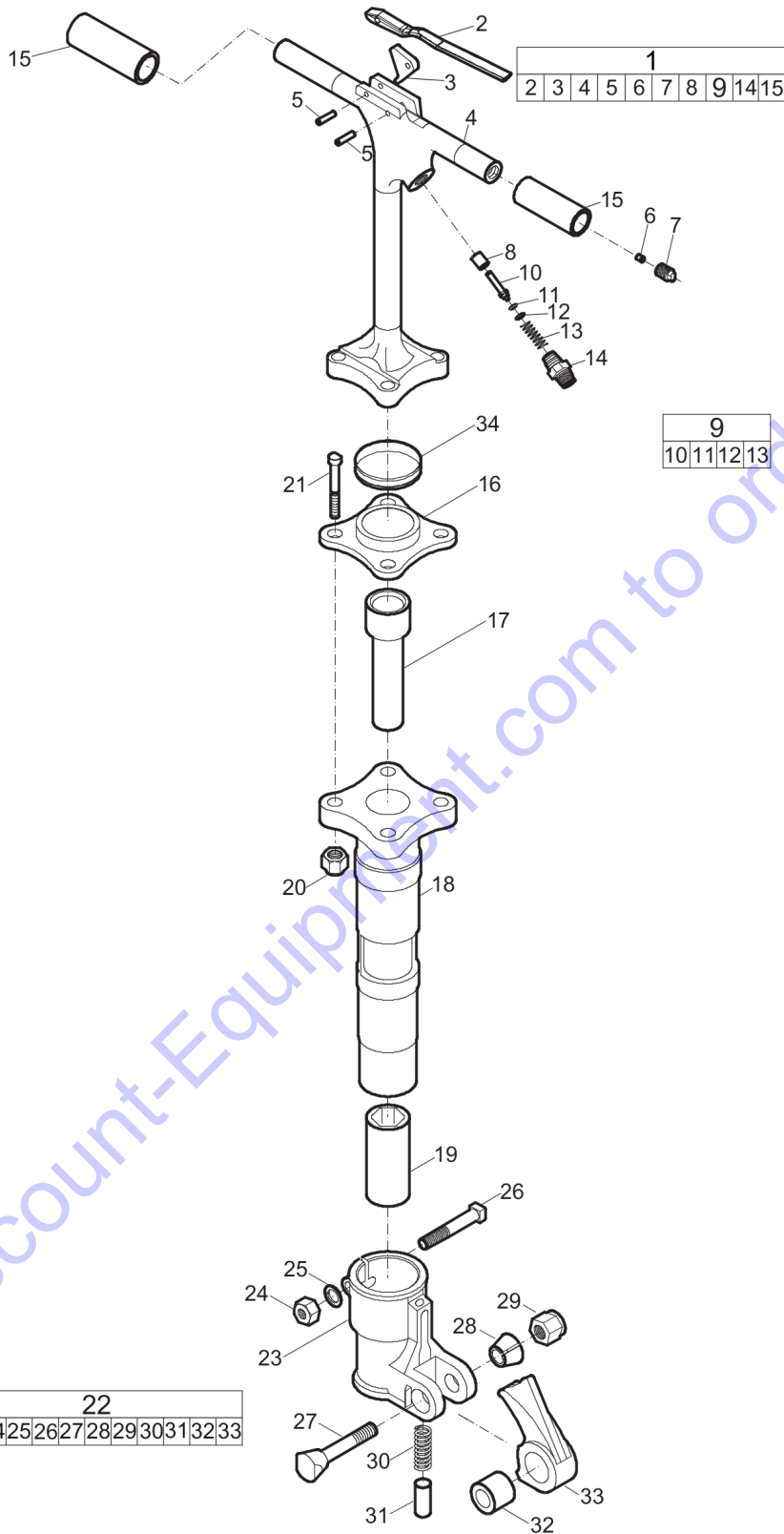


Refer to Parts Online for the most up to date information. The printed information might be outdated.

Fri Aug 28 06:18:00 MDT 2015

Item	Part No.	Name	Qty	L
1	R079043	Backhead, complete	1	
2	3303005414	Lever - Throttle Valve	1	
3	R085220	Cam - Lever	1	
4	-	Backhead	1	
5	P001921	Pin - lever	2	
6	R004976	Oil regulator plug	1	
7	R000560	Oil plug	1	
8	R070109	Bushing - Throttle valve stem	1	
9	R045370	Valve - Throttle, complete	1	
10	-	Valve - Throttle	1	
11	-	Seal - Valve	1	
12	-	Retainer - Seal	1	
13	-	Spring - Throttle valve	1	
14	R075227	Nipple - Air inlet	1	
15	3303005276	Rubber grip	2	
16	3303005135	Block - Valve	1	
17	R070102	Piston	1	
18	-	Cylinder	1	
19	R070112	Bushing, Hexagon, 1" x 4 1/4"	1	
20	P006099	Nut - Backhead bolt 9/16 in. -18	4	
21	R070111	Bolt - Backhead 9/16 in. -18	4	
22	R092500	Latch retainer, complete	1	
23	-	Head - Latch retainer	1	
24	R000555	Nut - Head latch 1/2 in. -13	1	
25	C036717	Lockwasher - Head latch	1	
26	P002123	Bolt - Head latch, 1/2" -13 x 2 3/4"	1	
27	R092498	Bolt - Latch retainer, 5/8" -18 x 3 1/2"	1	
28	R092499	Bushing - Latch retainer bolt	1	
29	P081091	Nut - Self locking, 5/8 in. - UNF - 3B	1	
30	R086982	Spring - plunger	1	
31	R092497	Plunger - latch	1	
32	R048540	Retainer latch bush	1	
33	R092493	Retainer - latch	1	
34	R070103	Valve	1	

**Spare parts list** CP 0112 EX H22x82.5 (7/8x3¼) US



Refer to Parts Online for the most up to date information. The printed information might be outdated.

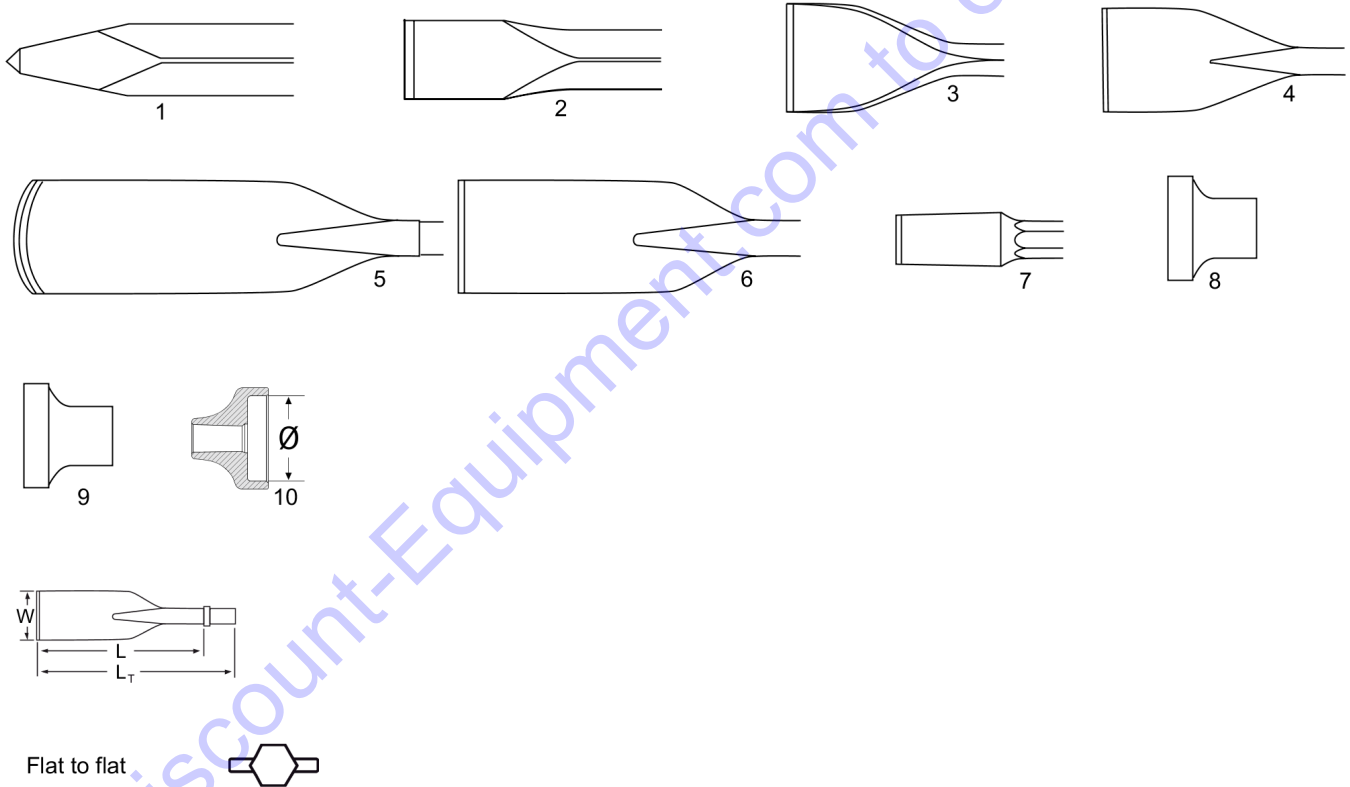
Fri Aug 28 06:18:02 MDT 2015

Item	Part No.	Name	Qty	L
1	R079043	Backhead, complete	1	
2	3303005414	Lever - Throttle Valve	1	
3	R085220	Cam - Lever	1	
4	-	Backhead	1	
5	P001921	Pin - lever	2	
6	R004976	Oil regulator plug	1	
7	R000560	Oil plug	1	
8	R070109	Bushing - Throttle valve stem	1	
9	R045370	Valve - Throttle, complete	1	
10	-	Valve - Throttle	1	
11	-	Seal - Valve	1	
12	-	Retainer - Seal	1	
13	-	Spring - Throttle valve	1	
14	R075227	Nipple - Air inlet	1	
15	3303005276	Rubber grip	2	
16	3303005135	Block - Valve	1	
17	R070102	Piston	1	
18	-	Cylinder	1	
19	F813919	Bushing, hexagon 7/8" x 3 1/4"	1	
20	P006099	Nut - Backhead bolt 9/16 in. -18	4	
21	R070111	Bolt - Backhead 9/16 in. -18	4	
22	R092500	Latch retainer, complete	1	
23	-	Head - Latch retainer	1	
24	R000555	Nut - Head latch 1/2 in. -13	1	
25	C036717	Lockwasher - Head latch	1	
26	P002123	Bolt - Head latch, 1/2" -13 x 2 3/4"	1	
27	R092498	Bolt - Latch retainer, 5/8" -18 x 3 1/2"	1	
28	R092499	Bushing - Latch retainer bolt	1	
29	P081091	Nut - Self locking, 5/8 in. - UNF - 3B	1	
30	R086982	Spring - plunger	1	
31	R092497	Plunger - latch	1	
32	R048540	Retainer latch bush	1	
33	R092493	Retainer - latch	1	
34	R070103	Valve	1	

Refer to Parts Online for the most up to date information. The printed information might be outdated.

Fri Aug 28 06:18:02 MDT 2015

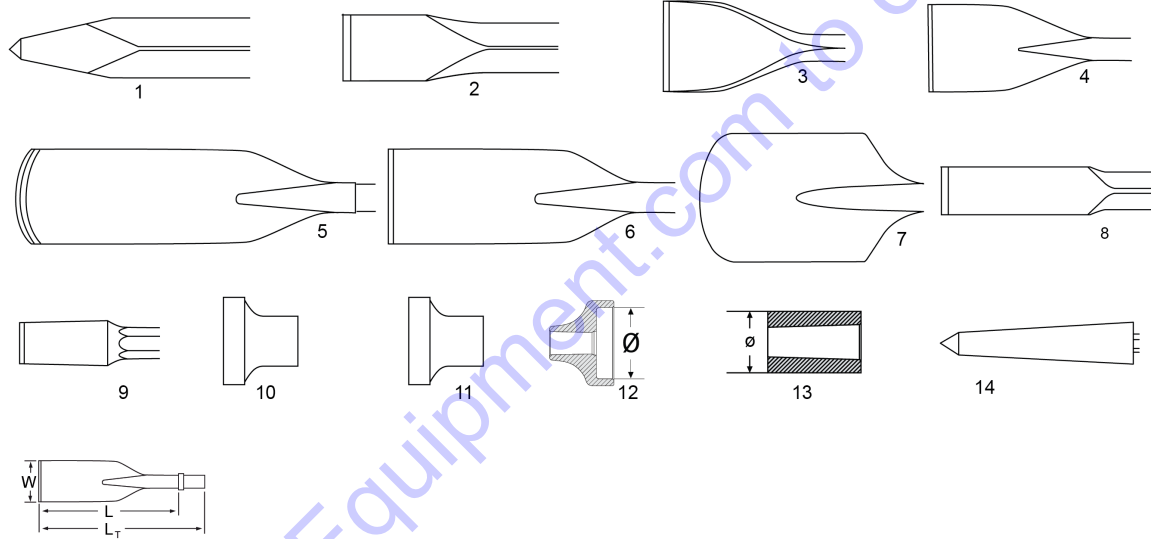
**Working tools** US standard hexagon 7/8 x 3 1/4 in. (22 x 82.5 mm)



Item	Part No.	Name	Qty	L
1	3083405000	Moil point, Lt=450 mm, L=355 mm	1	
1	3083405010	Moil point, Lt=545 mm, L=450 mm	1	
1	3083405020	Moil point, Lt=705 mm, L=610 mm	1	
1	3083405030	Moil point, Lt=1010 mm, L=915 mm	1	
2	3083330300	Narrow chisel, Lt=450 mm, L=355 mm	1	
2	3083330400	Narrow chisel, Lt=705 mm, Lt=610 mm	1	
2	3083405110	Narrow chisel, Lt=545 mm, L=450 mm	1	
3	3083330500	Wide chisel; Lt=450 mm, L= 355 mm	1	
4	3083330800	Clay spade, W=125 mm, Lt=525 mm, L=430 mm	1	
5	3083330600	Digging chisel, W=75 mm, Lt=450mm, L=355 mm	1	
7	3083405800	Shaft, Lt=300 mm, L=205 mm	1	
8	3083325210	Tamping pad, round	1	
9	3083323900	Tamping pad, square	1	
10	9245281790	Driver pad, round	1	
11	9245282230	Posthole tool	1	



**Working tools** US standard hexagon 1 x 4¼ in. (25 x 108 mm)



Item	Part No.	Name	Qty	L
1	3083403000	Moil point	1	A
1	3083403010	Moil point	1	B
1	3083403020	Moil point	1	C
2	3083330900	Narrow chisel	1	E
2	3083403110	Narrow chisel	1	F
2	3083403120	Narrow chisel	1	G
3	3083331000	Wide chisel	1	I
4	3083403300	Asphalt cutter	1	N
5	3083331100	Digging chisel	1	O
6	3083331200	Digging spade	1	P
7	3083403500	Clay spade	1	R
8	3083331300	Wedge chisel	1	S
9	3083403700	Shaft	1	T
10	3083325210	Tamping pad, round	1	U
11	3083323900	Tamping pad, square	1	V
12	9245281790	Driver pad, round	1	W
14	9245282230	Posthole tool	1	Y

Comments for Page: US standard hexagon 1 x 4¼ in. (25 x 108 mm)

(L)OCAL REMARKS

A| W= -in, L= 15in, Lt= 20in, Wt= 4.6 lb

B| W= -in, L= 18in, Lt= 22in, Wt= 5.3 lb

C| W= -in, L= 24in, Lt= 29in, Wt= 6.8 lb

D| W= -in, L= 36in, Lt= 41 in, Wt= 9.7 lb

E| W= -in, L= 15in, Lt= 20in, Wt= 4.6 lb

F| W= -in, L= 18in, Lt= 22in, Wt= 5.3 lb

G| W= -in, L= 24in, Lt= 29 in, Wt= 6.8 lb

H| W= -in, L= 36in, Lt= 41 in, Wt= 9.7 lb

I| W= 3in, L= 15in, Lt= 20in, Wt= 5.3 lb

J| W= 3in, L= 18in, Lt= 22in, Wt= 5.7 lb

K| W= 3in, L= 24in, Lt=29in, Wt= 7.3 lb

L| W= 3in, L= 36in, Lt= 41 in, Wt= 10.3 lb

M| W= 4½ in, L= 12in, Lt= 16¾ in, Wt= 7.1 lb

N| W= 5in, L= 13in, Lt= 17¾ in, Wt= 6.4 lb

O| W= 3in, L= 15in, Lt= 20in, Wt= 7.0 lb

P| W= 4¾in, L= 13in, Lt= 17¾ in, Wt= 8.8 lb

Q| W= 4 in, L= 16in, Lt=21in, Wt= 6.2 lb

R| W= 5in, L= 16in, Lt= 21in, Wt=8.2 lb

Refer to Parts Online for the most up to date information. The printed information might be outdated.

Fri Aug 28 06:18:04 MDT 2015

S| W= 2in, L= 15in, Lt= 20in, Wt=10.4 lb

T| W= - in, L= 11in, Lt= 16in, Wt= 4.2 lb

U| W= ø7in, L= -in, Lt= -in, Wt= 16.8 lb

V| W= ø7in, L= -in, Lt= -in, Wt= 13.5 lb

W| W= ø4 in, L= -in, Lt= -in, Wt= 5.7 lb

X| W= ø2½ in, L= -in, Lt= -in, Wt= 4.2 lb

Y| W= 1½ in, L= -in, Lt= -in, Wt= 6.0 lb

Go to Discount-Equipment.com to order your parts



**Chicago  
Pneumatic**

*Go to [Discount-Equipment.com](http://Discount-Equipment.com) to order your parts*

**2015-08 | No. 9800 0537 01d**

© Copyright Construction Tools PC AB

# PARTS FINDER

**Search Website  
by Part Number**



**Search Manual  
Library For Parts  
Manual & Lookup Part  
Numbers – Purchase  
or Request Quote**

**Search Manuals**

Enter your information to help us find the right parts manual for your machine.

\* Brand:

\* Model:

\* Serial:

\* Part Number:

SEARCH

**Can't Find Part or  
Manual? Request Help  
by Manufacturer,  
Model & Description**

**Parts Order Form**

Please fill in the following information to help us find the right part for your machine.

Manufacturer:	<input type="text"/>
Model:	<input type="text"/>
Description:	<input type="text"/>
Part Number:	<input type="text"/>
Quantity:	<input type="text"/>
Notes:	<input type="text"/>

Submit

Discount-Equipment.com is your online resource for quality parts & equipment.

Florida: **561-964-4949** Outside Florida TOLL FREE: **877-690-3101**

**Need parts?**

Click on this link: <http://www.discount-equipment.com/category/5443-parts/> and choose one of the options to help get the right parts and equipment you are looking for. Please have the machine model and serial number available in order to help us get you the correct parts. If you don't find the part on the website or on one of the online manuals, please fill out the request form and one of our experienced staff members will get back to you with a quote for the right part that your machine needs.

We sell worldwide for the brands: Genie, Terex, JLG, MultiQuip, Mikasa, Essick, Whiteman, Mayco, Toro Stone, Diamond Products, Generac Magnum, Airman, Haulotte, Barreto, Power Blanket, Nifty Lift, Atlas Copco, Chicago Pneumatic, Allmand, Miller Curber, Skyjack, Lull, Skytrak, Tsurumi, Husquvarna Target, Stow, Wacker, Sakai, Mi-T-M, Sullair, Basic, Dynapac, MBW, Weber, Bartell, Bennar Newman, Haulotte, Ditch Runner, Menegotti, Morrison, Contec, Buddy, Crown, Edco, Wyco, Bomag, Laymor, EZ Trench, Bil-Jax, F.S. Curtis, Gehl Pavers, Heli, Honda, ICS/PowerGrit, IHI, Partner, Imer, Clipper, MMD, Koshin, Rice, CH&E, General Equipment, Amida, Coleman, NAC, Gradall, Square Shooter, Kent, Stanley, Tamco, Toku, Hatz, Kohler, Robin, Wisconsin, Northrock, Oztec, Toker TK, Rol-Air, APT, Wylie, Ingersoll Rand / Doosan, Innovatech, Con X, Ammann, Mecalac, Makinex, Smith Surface Prep, Small Line, Wanco, Yanmar