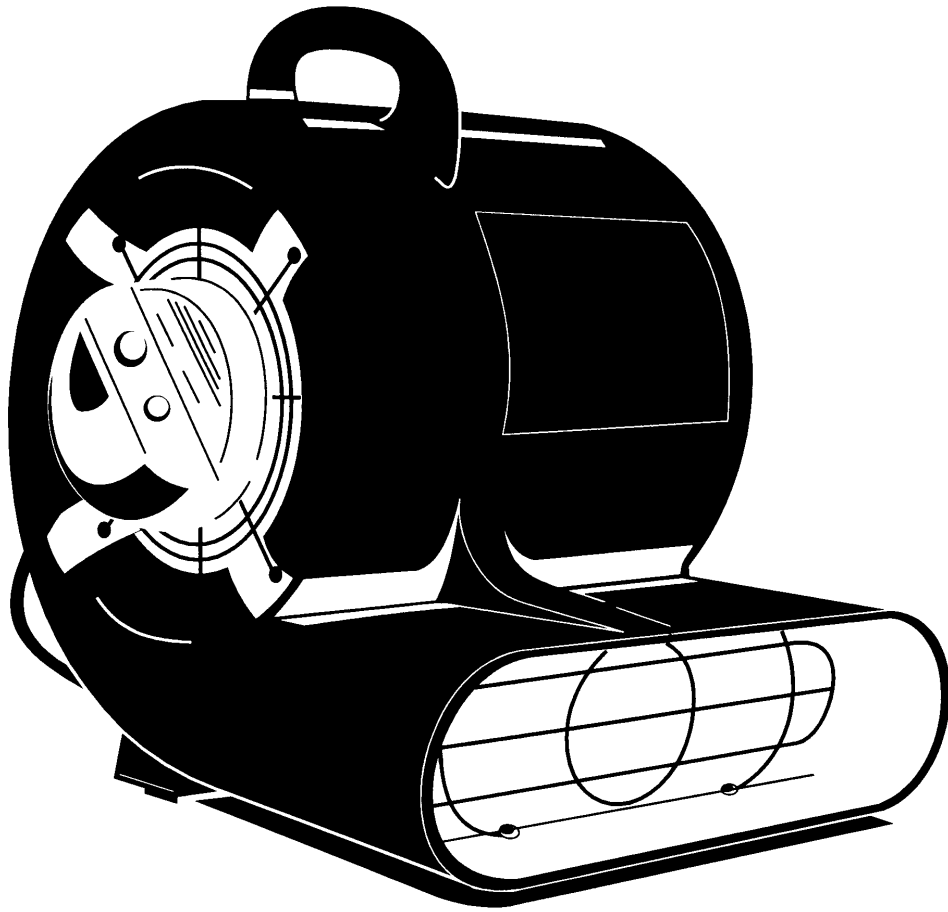


AIR MOVER MANUAL



TEMPEST™ TYPHOON™

Congratulations on your purchase of a Dry Air Technology Air Mover. Dry Air Technology Air Movers are conveniently small and extremely lightweight yet powerful enough to create airflow beyond your expectations. They have been engineered to be durable, long lasting and high performing. These air movers have been rigorously tested for heavy-duty use.

Your new unit was designed to provide the maximum performance. Please read this owner's manual carefully to insure that you get the most from your unit.

SAFETY INFORMATION

CAUTION!

Unit operates on alternating current:
110/120 volt, 60 Hz or 220/240 volt, 50 Hz

Do not operate your air mover with a cut or frayed power cord. Do not unplug your unit by pulling on its cord. Grasp the plug firmly and pull it out of the wall socket or power receptacle. The plug has a safety ground pin installed that must not be removed. If the pin is damaged or missing, have the power cord replaced at once. Visually inspect the power cord before each use. Ignoring these safety precautions may result in a fire or an electric shock.

To reduce the risk of fire or electric shock, do not use this fan with any solid state speed control device.

Never operate electrical equipment in standing water. There is a shock hazard.

Never drop the unit. Sudden and severe impact may result in damage to internal components.

Your air mover should never be operated with the safety grills removed. Personal injury may result.

Drop cloths or other loose fabrics can be drawn against the unit thereby restricting airflow. This condition may cause the unit to overheat. Keep the air inlet clear of any obstructions.

Save the shipping carton in case your air mover must be returned for repair.

This unit should never be serviced or cleaned while it is plugged into a live electrical power source.

WARNING: Ignoring these safety precautions may result in serious personal injury.

TEMPEST™ TYPHOON™

OPERATING INSTRUCTIONS

Please inspect your unit upon receipt for any freight damages. Be sure to keep all original packaging. Original packaging will help protect unit from freight damage upon return.

If you discover any damages during inspection, please contact Dry Air Technology.

The unit as packaged is ready to be put into service. If you have a 220v model, attach the appropriate plug for your region.

Inspect the unit completely for any shipping damage. Place the unit on the ground or on a very stable platform.

Plug the unit into a grounded alternating current circuit and switch the unit on.

MAINTENANCE

When turning on equipment for use, always check to make sure the unit is running properly.

When the unit is first turned on, check for excessive vibration or noise. This would indicate a major problem. If your unit is running abnormally, troubleshoot to find the cause and make any necessary adjustments or repairs. Do not allow the unit to run when problem persists. A simple adjustment problem can turn into complete motor failure if not corrected.

Warning

Disconnect the unit from the power supply before cleaning or servicing.

SPECIFICATIONS

Model	Voltage	Motor	RPM	Speed	Amps	Max SP	Dimensions (H x L x W)	Weight
Tempest	230V 50/60Hz	.4 HP	1050	2	2	1.50	17" x 18.5" x 15.5"	28 lbs
Tempest	115V 60Hz	.4 HP	1050	2	4	1.50	17" x 18.5" x 15.5"	28 lbs
Typhoon	115V 60Hz	.4 HP	1050	3	4	1.50	17" x 18.5" x 15.5"	28 lbs

Wheel Size for all units is 9.5" x 9.5".

ATTN: PRODUCT UPDATE

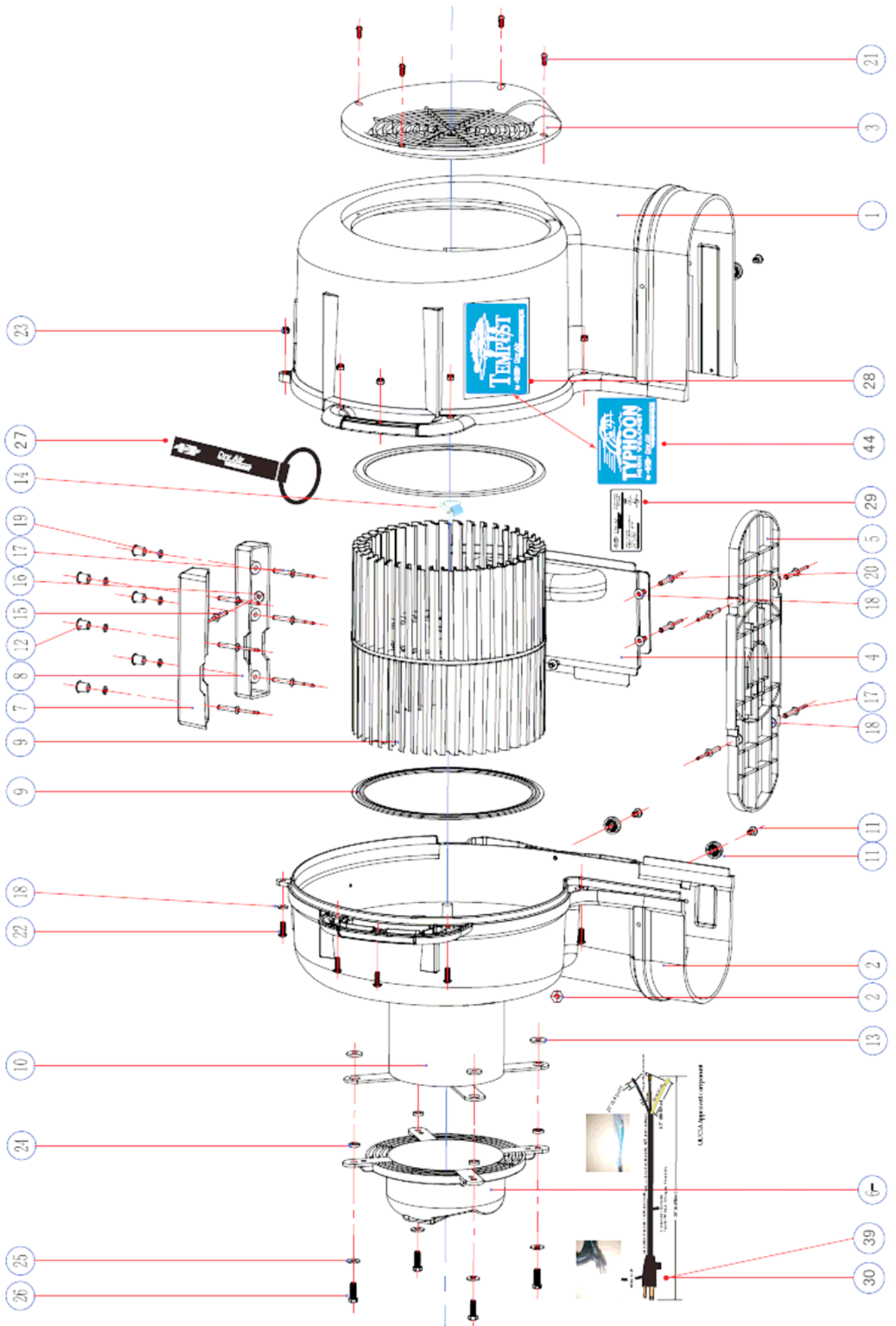
The new Typhoon Air Mover is now equipped with a .4 HP motor, GFCI receptacle and 15 amp breaker. The GFCI Receptacle and 15 amp breaker gives you the ability to plug one fan into another, reducing the chaos and clutter of extension cords and power cords crisscrossing the drying site. This outlet is GFCI (Ground Fault Circuit Interrupter) protected and incorporates a dedicated circuit breaker. You can plug three Typhoon Air Movers into each other on a 15 amp circuit. For your convenience a 3mm Allen Wrench is included to remove the intake grill to provide access to the blower wheel and motor.

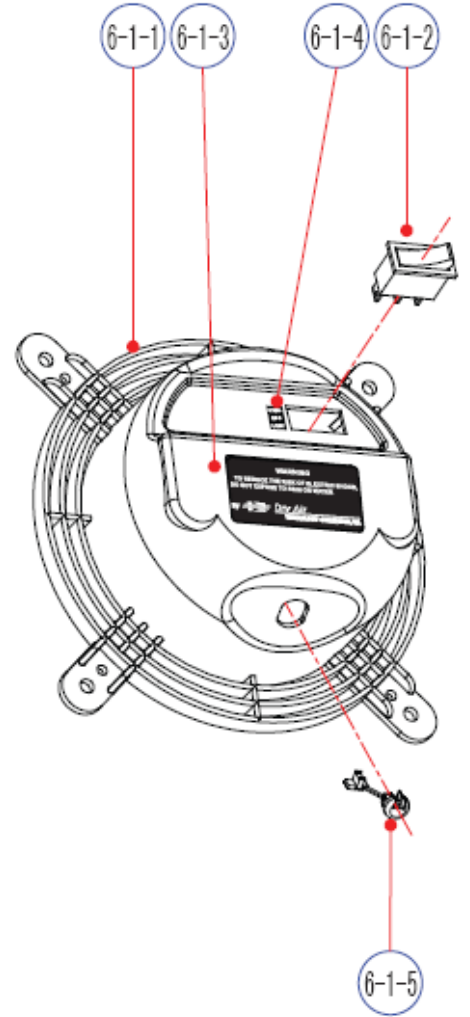
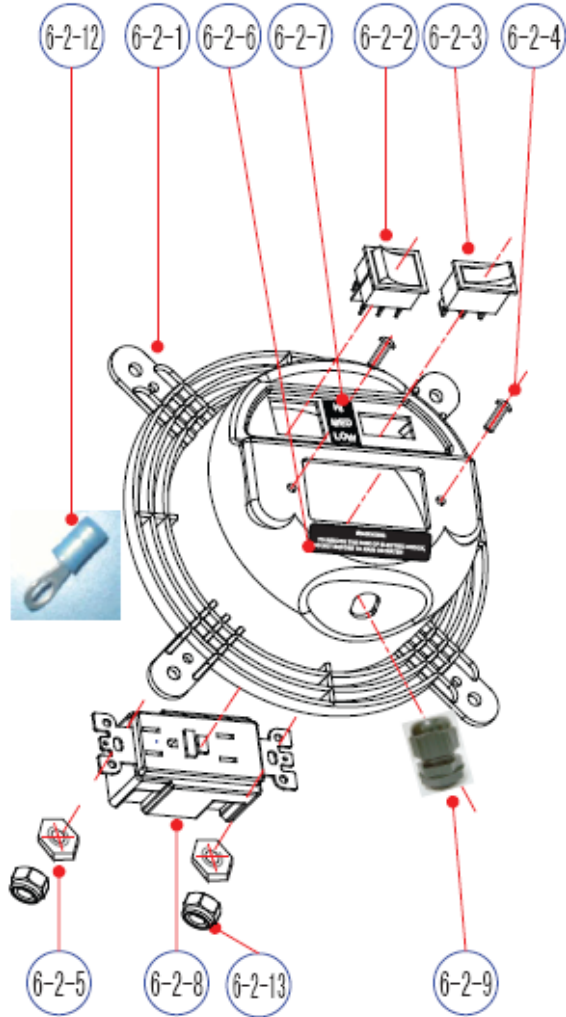
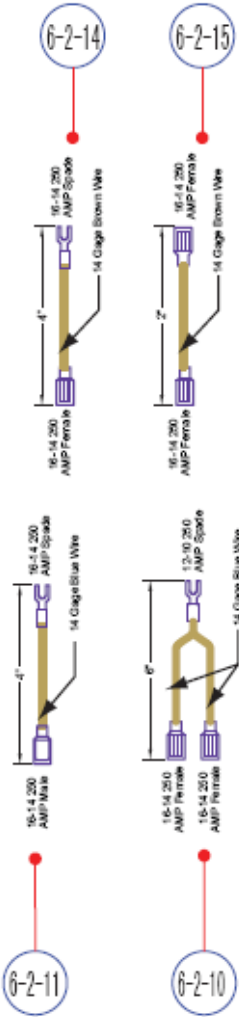
TROUBLE SHOOTING

Problem	Cause	Solution
Unit will not run.	<ol style="list-style-type: none"> 1. GFCI has tripped 2. No power to unit. 3. Switch not on. 4. Switch is faulty. 5. Faulty/broken cord or motor wire. 	<ol style="list-style-type: none"> 1. Reset GFCI, it must be a properly grounded receptacle. 2-A. Check the 15 amp circuit breaker on control panel. Reset if necessary. 2-B. Check the building fuse or circuit breaker. Reset breaker or replace fuse. 3. Place in "ON" position. 4. Replace switch. 5. Perform continuity check, using volt/amp meter. Repair/replace faulty broken wire.
Unit runs but fan makes loud scraping noise.	<ol style="list-style-type: none"> 1. Unit has been severely jolted causing fan to rub against housing. 2. Unit has been severely jolted causing housing to deform. 	<ol style="list-style-type: none"> 1. Remove motor and replace damaged motor mounts. 2. Replace fan blade.
Unit runs but vibrates excessively.	<ol style="list-style-type: none"> 1. Severe jolt has bent motor shaft causing unit to be out of balance. 2. Fan blade damaged. 3. Dirt build up on one side of fan blade. 	<ol style="list-style-type: none"> 1. Remove and replace motor. 2. Replace blade if necessary. 3. Clean fan blade.
Unit runs but fan does not turn.	<ol style="list-style-type: none"> 1. Fan is jammed against housing. 2. Capacitor wire has broken/come loose, capacitor has failed. 3. Housing has been damaged such that it presses on fan blade. 	<ol style="list-style-type: none"> 1. Remove motor and replace damaged motor mounts. Replace fan blade if necessary. 2. Repair/replace wires/capacitor as necessary. 3. Replace housing/unit as necessary.
Unit runs briefly, and then shuts off.	<ol style="list-style-type: none"> 1. Motor bearings are failing or motor has developed an internal electrical fault. 2. Intake grill and/or exhaust grill is obstructed. 3. Excessive duct length. 	<ol style="list-style-type: none"> 1. Replace motor. 2. Remove obstruction. 3. Reduce the duct length to the recommended maximum.

Trouble Shooting

Problem	Cause	Solution
Unit will not run.	<ol style="list-style-type: none"> 1. No power to unit. 2. Switch not on. 3. Switch is faulty. 4. Faulty/broken cord or motor wire. 	<ol style="list-style-type: none"> 1. Plug unit in. Check circuit breaker. 2. Place in "ON" position. 3. Replace switch. 4. Perform continuity check, using volt/amp meter. Repair/replace faulty broken wire.
Unit runs but air mover makes loud scraping noise.	<ol style="list-style-type: none"> 1. Unit has been severely jolted causing blower wheel to rub against housing. 2. Unit has been severely jolted causing housing to deform. 	<ol style="list-style-type: none"> 1. Remove motor and replace damaged motor mounts. 2. Replace blower wheel.
Unit runs but vibrates excessively.	<ol style="list-style-type: none"> 1. Severe jolt has bent motor shaft causing unit to be out of balance. 2. Air mover blade damaged. 3. Dirt build up on one side of air mover blade. 	<ol style="list-style-type: none"> 1. Remove and replace motor. 2. Replace blade if necessary. 3. Clean air mover blade.
Unit runs but blower wheel does not turn.	<ol style="list-style-type: none"> 1. Blower wheel is jammed against housing. 2. Capacitor wire has broken/come loose, capacitor has failed. 3. Housing has been damaged such that it presses on blower wheel. 	<ol style="list-style-type: none"> 1. Remove motor and replace damaged motor mounts. Replace blower wheel if necessary. 2. Repair/replace wires/capacitor as necessary. 3. Replace housing/unit as necessary.
Unit runs briefly, then shuts off on overload.	<ol style="list-style-type: none"> 1. Motor bearings are failing or motor has developed an internal electrical fault. 2. Intake grill and/or exhaust grill is obstructed. 3. Excessive duct length. 	<ol style="list-style-type: none"> 1. Replace motor. 2. Remove obstruction. 3. Reduce duct length to recommended maximum.





No.	Part Number	Part Name	QTY.
1	CF-00C-P4N20550	Fan Base Left	1
2	CF-00C-P4N20551	Fan Base Right	1
2A		Base M6 Insert Nut	4
3	CF-00C-P4N20552	Primary Inlet Grill	1
4	CF-00C-P4N20553	Fan Base Handle Relief	1
5	CF-00C-P4N20554	Snout Grill	1
7	CF-00C-P4N20558	Upper Foot Molded	1
8	CF-00C-P4N20559	Lower Foot Molded	1
9A	CF-00M-P4A10280	Blower Wheel	1
9B		Blower Wheel Ring	2
11	GN-00C-R6N10561	Molded Rubber Foot	4
11		Plastic Foot Rivet	4
12	GN-00C-P6N10562	Rubber Bumper Insert	6
13	GN-00F-R5B10327	M6 Rubber Motor Mount Washer	4
14	CF-00F-S9NN0333	Blower Wheel Shaft Clip	1
15	GN-00F-A1B10320	M3x15 AL/AL Rivet Black	1
16	GN-00F-A5BN0325	M3x8x1 Rivet Backing Washer	1
17	GN-00F-A5BN0321	M5x25 AL/AL Rivet Black	6
17	GN-00F-A5BN0321	M5x25 AL/AL Rivet Black	5
18	GN-00F-A5BN0323	M5x12.7x1.5 AL Backing Washer	5
18	GN-00F-A5BN0323	M5x12.7x1.5 AL Backing Washer	4
18	GN-00F-A5BN0323	M5x12.7x1.5 AL Backing Washer	2
19	GN-00F-A5BN0324	M5x9.5x1.5 AL Backing Washer	5
20	GN-00F-A1B10322	M5x20 AL/AL Rivet Black	5
21	GN-00E-S2BN0312	M5x15 Grill Mounting Screw	4
22	GN-00F-S2BN0316	M5x16 Shell Machine Screw	6
23	GN-00F-S4BN0317	M5 Shell Nylon Nut	6
24	CF-00F-S6BN0315	Motor Mount Bushing	4
25	GN-00F-S5BN0314	M6 Motor Mount Washer	4
26	GN-00F-S3BN0313	M6 Motor Mount Machine Screw	4
27	GL-00C-LNNN0223	Nylon Strap W/Loop	1
29	GN-00L-SANN0077	Product Spec Label	1
31	AF-00L-MINN0181	Air Mover Manual	1
32	CF-00P-C1N70034	CF White Inner Box	1
33	CF-00P-C1NN1024	CF Master Carton	1
34	AC-00P-P2N90088	Plastic Bag	1
35	CF-00P-C6NN0125	Air Mover Insert	1
38	CF-00L-LANN0102	Brady Label For Box Labeling	2

No.	Part Number	Part Name	QTY.
40	GN-00F-P6A10223	Stay Put Knob	1
41	GN-00F-M6BNO326	3mm Allen Key Tool	1
42	AF-00E-P2N30049	Butt Splice Insul AMP	1
43	AF-00E-N2NN0080	AMP Closed End Connector	1
10	CF-00M-N1A10001	115v 3 Speed Motor	1
	2 SPEED Materials		
28	CF-00L-LANNO219	Tempest Shell Graphic	1
30	CF-00E-N4A10004	16G Fan Cord	1
36	CF-00L-LANNO221	Tempest 2sp Box Sticker	2
6-1-1	CF-00F-P4N20555	2 Speed Switch Cover	1
6-1-2	GN-00E-P3A10254	2 Speed On/Off/On Switch	1
6-1-3	CF-00L-LANNO218	2 Speed Warning Label	1
6-1-4	CF-00L-LANNO215	2 Speed Switch Label	1
6-1-5	CF-00E-PNN10314	6P3-4 Black Heyco	1
	AF-00E-B2NN0029	.250 Female conn.	2
	3 Speed Materials		
37	CF-00L-LANNO222	Tempest 3sp Box Sticker	2
39	GN-00E-P4A10316	14 Gage Fan Cord	1
44	CF-00L-LANNO220	3spd Typhoon Shell Graphic	1
6-2-1	CF-00C-P4N20563	3 Speed Switch Cover	1
6-2-2	GN-00E-P3B10222	3 Speed On/On/On Switch	1
6-2-3	GN-00E-P1A30225	15AMP Rocker Breaker Switch	1
6-2-4	GN-00F-A2BNO330	Fixation CFGI Screw	2
6-2-5	GN-00F-A4BNO332	Fixation CFGI Nut	2
6-2-6	GN-00L-LANNO217	3 Speed Warning Label	1
6-2-7	CF-00L-LNNNO224	3 Speed Switch Label	1
6-2-8	AF-00E-P1A10278	GFCI Receptacle	1
6-2-9	AF-00E-PNN10015	Black Heyco	1
6-2-10	GN-00E-P4A60323	#10 Spade to Female/Female AMP Jumper	1
6-2-11	GN-00E-P4A20320	#10 Spade to Male AMP Jumper	1
6-2-12	AF-00E-N2NN0009	AMP #10 Stud Ring	2
6-2-13	GN-00F-A4BNO332	Fixation CFGI Nylon Nut	2
6-2-14	GN-00E-P4A60321	Female To Spade AMP Jumper	2
6-2-15	GN-00E-P4A60322	#10 Female to Female AMP Jumper	1
6-2-16	AF-00E-B2NN0029	.250 Female conn.	2

Dry Air Technology 10 Year Limited Warranty **Axial and Centrifugal Air Flow Products**

Warrantor: Dry Air Technology, 313 North Oak Street, Burlington, WA 98233. Telephone: 888-755-9176, local: 360-755-9176, fax: 360-755-9236.

Who Is Covered: This warranty extends to the original end-user of axial and centrifugal air flow devices manufactured by Dry Air Technology, and may not be assigned or transferred.

Warranty Period: The term of the warranty coverage from the date of purchase is:
10 years on the cabinet, chassis and housing
1 year on parts, labor and reasonable shipping costs, excluding filters and accessories.

Warranty Coverage: Dry Air Technology warrants that, for one year, axial and centrifugal air flow devices manufactured by Dry Air Technology will operate free from defects in material or workmanship, or Dry Air Technology, at its option, will repair or replace the defective part(s), free of charge.

Dry Air Technology further warrants that for a period of ten (10) years, the cabinet, chassis and housing of axial and centrifugal air flow devices manufactured by Dry Air Technology, will be free from defects in material or workmanship, or Dry Air Technology, at its option, will repair or replace the defective part(s), provided that all labor and shipping costs for the defective part(s) shall be borne by the end-user.

This warranty does not cover any defect, malfunction, etc. resulting from misuse, abuse, lack of normal care, corrosion from chemicals, freezing, tampering, modification, unauthorized or improper repair or operation, accident, acts of nature or any other cause beyond Dry Air Technology's reasonable control.

End-User Responsibilities: Warranty service must be performed by a firm or individual authorized by Dry Air Technology. If the end-user is unable to locate or obtain warranty service from an authorized firm or individual, he should contact Dry Air Technology at the above location, which will arrange for covered warranty service. All covered warranty service will be performed during normal business hours.

Limitations and Exclusions: If any part of a axial or centrifugal air flow device manufactured by Dry Air Technology is repaired or replaced, the new part shall be warranted only for the remainder of the original warranty period of the air flow device (but all warranties will be extended by the period of time, if any, that the Dry Air Technology air flow device is out of service while waiting for covered warranty service).

UPON THE EXPIRATION OF THE WRITTEN WARRANTY APPLICABLE TO THE DRY AIR TECHNOLOGY AIR FLOW DEVICE OR ANY PART THEREOF, ALL OTHER WARRANTIES IMPLIED BY LAW, INCLUDING MERCHANTABILITY AND FITNESS FOR A PARTICULAR PURPOSE, SHALL ALSO EXPIRE. ALL WARRANTIES MADE BY DRY AIR TECHNOLOGY ARE SET FORTH HEREIN, AND NO CLAIM MAY BE MADE AGAINST DRY AIR TECHNOLOGY BASED ON ANY ORAL WARRANTY. IN NO EVENT SHALL DRY AIR TECHNOLOGY, IN CONNECTION WITH THE SALE, OPERATION, REPAIR OR REPLACEMENT OF ANY DRY AIR TECHNOLOGY AIR FLOW DEVICE OR PART THEREOF BE LIABLE UNDER ANY LEGAL THEORY FOR ANY SPECIAL, INDIRECT OR CONSEQUENTIAL DAMAGES INCLUDING WITHOUT LIMITATION WATER DAMAGE (THE END-USER SHOULD TAKE PRECAUTIONS AGAINST SAME), LOST PROFITS, DELAY, OR LOSS OF USE OR DAMAGE TO ANY REAL OR PERSONAL PROPERTY.

Some states do not allow limitations on how long an implied warranty lasts, and some do not allow the exclusion or limitation of incidental or consequential damages, so one or both of these limitations may not apply to you.

Legal Rights: This warranty gives you specific legal rights, and you may also have other rights which vary from state to state.

DRY AIR TECHNOLOGY, BURLINGTON, WASHINGTON