

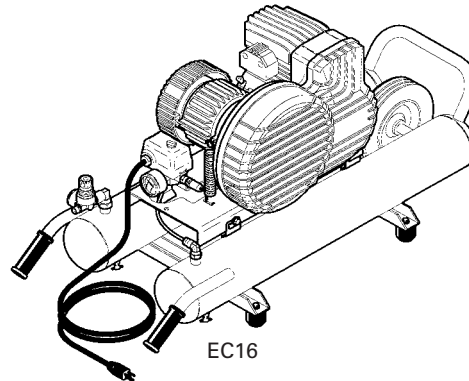
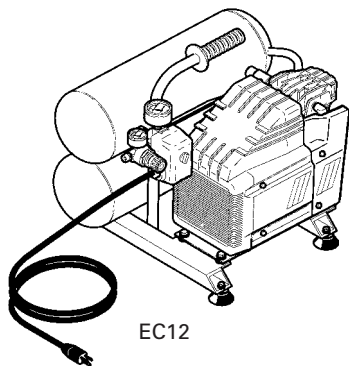
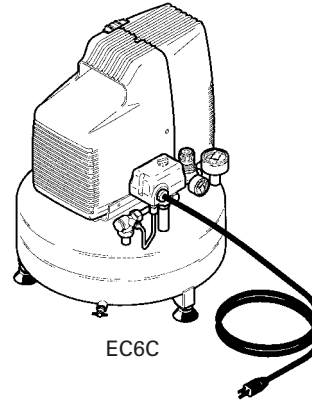
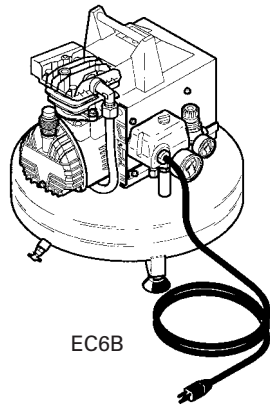
# HITACHI

## POWER TOOLS

INSTRUCTION MANUAL AND SAFETY INSTRUCTIONS FOR AIR COMPRESSOR  
MANUEL D'UTILISATION ET CONSIGNES DE SÉCURITÉ DU COMPRESSEUR  
MANUAL DE INSTRUCCIONES Y INSTRUCCIONES DE SEGURIDAD PARA EL COMPRESOR DE AIRE

MODEL  
MODÈLE  
MODELO

### EC 6B EC 6C EC 12 EC 16



#### **⚠ WARNING**

**Improper and unsafe use of this compressor can result in death or serious bodily injury!**

**This manual contains important information about product safety.**

**Please read and understand this manual before operating the compressor.**

**Please keep this manual available for others before they use the compressor.**

#### **⚠ AVERTISSEMENT**

**Une utilisation du compresseur de manière incorrecte ou ne respectant pas les consignes de sécurité peut entraîner la mort ou de graves blessures!**

**Ce manuel renferme des informations importantes relatives à la sécurité.**

**Veillez lire attentivement toutes les instructions avant de mettre le compresseur en service.**

**Laissez ce manuel à la disposition des personnes qui vont utiliser le compresseur.**

#### **⚠ ADVERTENCIA**

**¡La utilización inadecuada e insegura de este compresor puede resultar en la muerte o en lesiones serias!**

**Este manual contiene información importante sobre la seguridad del producto.**

**Antes de utilizar el compresor, lea y entienda bien este manual.**

**Guarda este manual as mano para que otras personas puedan leerlo antes de utilizar el compresor.**

## — CONTENTS —

### English

	Page		Page
IMPORTANT INFORMATION .....	3	<b>OPERATION AND MAINTENANCE</b>	
MEANINGS OF SIGNAL WORDS .....	3	NAME OF PARTS .....	8
<b>SAFETY</b>		SPECIFICATIONS .....	9
IMPORTANT SAFETY INSTRUCTIONS		ACCESSORIES .....	9
FOR USE OF THE COMPRESSOR .....	4	APPLICATIONS .....	9
REPLACEMENT PARTS .....	5	PRIOR TO OPERATION .....	10
GROUNDING INSTRUCTIONS .....	6	OPERATION .....	10
EXTENSION CORD .....	6	MAINTENANCE .....	11
		SERVICE AND REPAIRS .....	12
		PARTS LIST .....	34

## — TABLE DES MATIÈRES —

### Français

	Page		Page
IIINFORMATIONS IMPORTANTES .....	13	<b>UTILISATION ET ENTRETIEN</b>	
SIGNIFICATION DU VOCABULAIRE DE		NOM DES PIÈCES .....	18
SIGNALISATION .....	13	FICHE TECHNIQUE .....	19
<b>SÉCURITÉ</b>		ACCESSOIRES .....	19
CONSIGNES DE SÉCURITÉ IMPORTANTES		APPLICATIONS .....	19
POUR L'UTILISATION DU COMPRESSEUR ..	14	AVANT L'UTILISATION .....	20
PIÈCES DE RECHANGE .....	15	UTILISATION .....	20
INSTRUCTIONS DE MISE À LA TERRE .....	16	ENTRETIEN .....	21
CORDON DE RALLONGE .....	16	SERVICE APRÈS-VENTE ET RÉPARATIONS .....	22
		LISTE DES PIÈCES .....	34

## — ÍNDICE —

### Español

	Página		Página
INFORMACIÓN IMPORTANTE .....	23	<b>OPERACIÓN Y MANTENIMIENTO</b>	
SIGNIFICADO DE LAS PALABRAS DE		NOMENCLATURA .....	28
SEÑALIZACIÓN .....	23	ESPECIFICACIONES .....	29
<b>SEGURIDAD</b>		ACCESORIOS .....	29
INSTRUCCIONES IMPORTANTES DE SEGURIDAD		APLICACIONES .....	29
PARA LA UTILIZACIÓN DEL COMPRESOR .....	24	ANTES DE LA OPERACIÓN .....	30
PIEZAS DE REEMPLAZO .....	25	OPERACIÓN .....	30
INSTRUCCIONES PARA LA PUESTA A TIERRA ..	26	MANTENIMIENTO .....	31
CABLE PROLONGADOR .....	26	SERVICIO Y REPARACIONES .....	32
		LISTA DE PIEZAS .....	34

---

## **IMPORTANT INFORMATION**

---

Read and understand all of the operating instructions, safety precautions and warnings in the Instruction Manual before operating or maintaining this compressor.

Most accidents that result from compressor operation and maintenance are caused by the failure to observe basic safety rules or precautions. An accident can often be avoided by recognizing a potentially hazardous situation before it occurs, and by observing appropriate safety procedures.

Basic safety precautions are outlined in the "SAFETY" section of this Instruction Manual and in the sections which contain the operation and maintenance instructions.

Hazards that must be avoided to prevent bodily injury or machine damage are identified by WARNINGS on the compressor and in this Instruction Manual.

Never use this compressor in a manner that has not been specifically recommended by HITACHI, unless you first confirm that the planned use will be safe for you and others.

---

## **MEANINGS OF SIGNAL WORDS**

---

**WARNING** indicates a potentially hazardous situations which, if ignored, could result in serious personal injury.

**CAUTION** indicates a hazardous situations which, if ignored, could result moderate personal injury, or could cause machine damage.

**NOTE** emphasizes essential information.

# SAFETY

## IMPORTANT SAFETY INSTRUCTIONS FOR USE OF THE COMPRESSOR

**⚠ WARNING:** Death or serious bodily injury could result from improper or unsafe use of compressor.  
To avoid these risks, follow these basic safety instructions:

### READ ALL INSTRUCTIONS

1. **NEVER TOUCH MOVING PARTS.**  
Never place your hands, fingers or other body parts near the compressor's moving parts.
2. **NEVER OPERATE WITHOUT ALL GUARDS IN PLACE.**  
Never operate this compressor without all guards or safety features in place and in proper working order. If maintenance or servicing requires the removal of a guard or safety features, be sure to replace the guard or safety features before resuming operation of the compressor.
3. **ALWAYS WEAR EYE PROTECTION.**  
Always wear safety goggles or equivalent eye protection. Compressed air must never be aimed at anyone or any part of the body.
4. **PROTECT YOURSELF AGAINST ELECTRIC SHOCK.**  
Prevent body contact with grounded surfaces such as pipes, radiators, ranges and refrigeration enclosures. Never operate the compressor in damp or wet locations.
5. **DISCONNECT THE COMPRESSOR.**  
Always disconnect the compressor from the power source and remove the compressed air from the air tank before servicing, inspecting, maintaining, cleaning, replacing or checking any parts.
6. **AVOID UNINTENTIONAL STARTING.**  
Do not carry the compressor while it is connected to its power source or when the air tank is filled with compressed air. Be sure the knob of the pressure switch in the "OFF" position before connecting the compressor to its power source.
7. **STORE COMPRESSOR PROPERLY.**  
When not in use, the compressor should be stored in a dry place. Keep out of reach of children. Lock-out the storage area.
8. **KEEP WORK AREA CLEAN.**  
Cluttered areas invite injuries. Clear all work areas of unnecessary tools, debris, furniture, etc.
9. **CONSIDER WORK AREA ENVIRONMENT.**  
Don't expose compressor to rain. Don't use compressor in damp or wet locations. Keep work area well lit and well ventilated.  
Don't use compressor in the presence of flammable liquids or gases.
10. **KEEP CHILDREN AWAY.**  
Do not let visitors contact compressor extension cord. All visitors should be kept safely away from work area.
11. **DRESS PROPERLY.**  
Do not wear loose clothing or jewelry. They can be caught in moving parts.  
Wear protective hair covering to contain long hair.
12. **DON'T ABUSE CORD.**  
Never yank it to disconnect from receptacle. Keep cord from heat, oil and sharp edges.
13. **MAINTAIN COMPRESSOR WITH CARE.**  
Follow instructions for lubricating.  
Inspect cords periodically and if damaged, have repaired by authorized service center. Inspect extension cords periodically and replace if damaged.
14. **OUTDOOR USE EXTENSION CORDS.**  
When compressor in used outdoors, use only extension cords intended for use outdoors and so marked.
15. **STAY ALERT.**  
Watch what you are doing. Use common sense. Do not operate compressor when you are tired.  
Compressor should never be used by you if you are under the influence of alcohol, drugs or medication that makes you drowsy.
16. **CHECK DAMAGED PARTS AND AIR LEAK.**  
Before further use of the compressor, a guard or other part is damaged should be carefully checked to determine that it will operate properly and perform its intended function. Check for alignment of moving parts, binding of moving parts, breakage of parts, mounting, air leak, and any other conditions that may affect its operation.  
A guard or other part that is damaged should be properly repaired or replaced by an authorized service center unless otherwise indicated elsewhere in this Instruction Manual.

Have defective pressure switches replaced by authorized service center.  
Do not use compressor if switch does not turn it on and off.

**17. NEVER USE COMPRESSOR FOR APPLICATIONS OTHER THAN THOSE SPECIFIED.**

Never use compressor for applications other than those specified in the Instruction Manual.

**18. HANDLE COMPRESSOR CORRECTLY.**

Operate the compressor according to the instructions provided herein. Never allow the compressor to be operated by children, individuals unfamiliar with its operation or unauthorized personnel.

**19. KEEP ALL SCREWS, BOLTS AND COVERS TIGHTLY IN PLACE.**

Keep all screws, bolts, and covers tightly mounted. Check their conditions periodically.

**20. KEEP MOTOR AIR VENT CLEAN.**

The motor air vent must be kept clean so that air can freely flow at all times. Check for dust build-up frequently.

**21. OPERATE COMPRESSOR AT THE RATED VOLTAGE.**

Operate the compressor at voltages specified on their nameplates.

If using the compressor at a higher voltage than the rated voltage, it will result in abnormally fast motor revolution and may damage the unit and burn out the motor.

**22. NEVER USE A COMPRESSOR WHICH IS DEFECTIVE OR OPERATING ABNORMALLY.**

If the compressor appears to be operating unusually, making strange noises, or otherwise appears defective, stop using it immediately and arrange for repairs by a Hitachi authorized service center.

**23. DO NOT WIPE PLASTIC PARTS WITH SOLVENT.**

Solvents such as gasoline, thinner, benzine, carbon tetrachloride, and alcohol may damage and crack plastic parts. Do not wipe them with such solvents. Wipe plastic parts with a soft cloth lightly dampened with soapy water and dry thoroughly.

**24. USE ONLY GENUINE HITACHI REPLACEMENT PARTS.**

Replacement parts not manufactured by Hitachi may void your warranty and can lead to malfunction and resulting injuries. Genuine Hitachi parts are available from your dealer.

**25. DO NOT MODIFY THE COMPRESSOR.**

Do not modify the compressor. Always contact the Hitachi authorized service center any repairs. Unauthorized modification may not only impair the compressor performance but may also result in accident or injury to repair personnel who do not have the required knowledge and technical expertise to perform the repair operations correctly.

**26. TURN OFF THE PRESSURE SWITCH WHEN THE COMPRESSOR IS NOT USED.**

When the compressor is not used, turn the knob of the pressure switch OFF, disconnect it from the power source and open the drain cock to discharge the compressed air from the air tank.

**27. NEVER TOUCH HOT SURFACE.**

To reduce the risk of burns, do not touch tubes, heads, cylinder and motors.

**28. DO NOT DIRECT AIR STREAM AT BODY.**

Risk of injury, do not direct air stream at persons or animals.

**29. DRAIN TANK.**

Drain tank daily or after 4 hours of use. Open drain fitting and tilt compressor to empty accumulated water.

**30. DO NOT STOP COMPRESSOR BY PULLING OUT THE PLUG.**

Use the "AUTO/OFF" knob of pressure switch.

**31. USE ONLY RECOMMENDED AIR HANDLING PARTS ACCEPTABLE FOR PRESSURE NOT LESS THAN 125 PSI (8.6 BAR)**

Risk of bursting. Use only recommended air handling parts acceptable for pressures not less than 125 psi (8.6 bar).

---

## REPLACEMENT PARTS

---

When servicing use only identical replacement parts.  
Repairs should be conducted only by a Hitachi authorized service center.

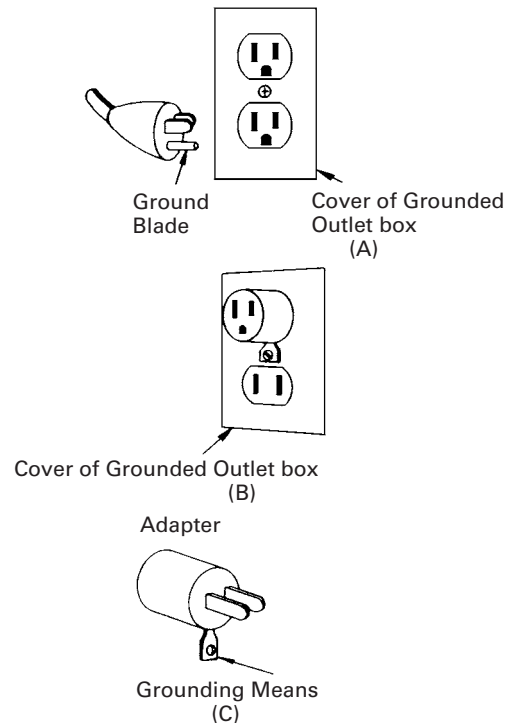
# SAFETY – Continued

## GROUNDING INSTRUCTIONS

This compressor should be grounded while in use to protect the operator from electric shock. The compressor is equipped with a three-conductor cord and three-prong grounding type plug to fit the proper grounding type receptacle. The green (or green and yellow) conductor in the cord is the grounding wire. Never connect the green (or green and yellow) wire to a live terminal. If your unit is for use on less than 150 volts, it has a plug that looks like that shown in sketch (A) in Figure on the right. An adapter, see sketches (B) and (C), is available for connecting sketch (A) type plugs to two-prong receptacles. The green-colored rigid ear, lug, or the like extending from the adapter must be connected to a permanent ground, such as a properly grounded outlet box.

**Note:** The grounding adaptor, sketch (C), is prohibited in Canada by Canadian Electrical Code Part 1. Therefore, the instructions for its use are not applicable in Canada.

We recommend that you never disassemble the compressor or try to do any rewiring in the electrical system. Any repairs should be performed only by HITACHI Service Centers or other qualified service organizations. Should you be determined to make a repair yourself, remember that the green colored wire is the “grounding” wire. Never connect this green wire to a “live” terminal. If you replace the plug on the power cord, be sure to connect the green wire only to the grounding (longest) prong on a 3-prong plug. If in doubt, call a qualified electrician and have the receptacle checked for ground.



## EXTENSION CORD

Use only three-wire extension cords that have three-prong grounding-type plugs and three-pole receptacles that accept the compressor's plug. Replace or repair damaged cord.

Make sure your extension cord is in good condition. When using an extension cord, be sure to use one heavy enough to carry the current your product will draw. An undersized cord will cause a drop in line voltage resulting in loss of power and overheating. Table shows the correct size to use depending on cord length and name plate ampere rating. If in doubt, use the next heavier gage. The smaller the gage number, the heavier the cord.

MINIMUM GAGE FOR CORD SETS

Ampere Rating More Than	Rating Not More Than	Total Length of Cord in Feet (Meter)			
		0 – 25 (0 – 7.6)	26 – 50 (7.9 – 15.2)	51 – 100 (15.5 – 30.5)	101 – 150 (30.8 – 45.7)
		AWG			
0 – 6	6	18	16	16	14
6 – 10	10	18	16	14	12
10 – 12	12	16	16	14	12
12 – 16	16	14	12	Not Recommended	

**⚠ WARNING:** Avoid electrical shock hazard. Never use this compressor with a damaged or frayed electrical cord or extension cord. Inspect all electrical cords regularly. Never use in or near water or in any environment where electric shock is possible.

**SAVE THESE INSTRUCTIONS  
AND  
MAKE THEM AVAILABLE TO  
OTHER USERS OF THIS TOOL!**

# OPERATION AND MAINTENANCE

## NOTE:

The information contained in this Instruction Manual is designed to assist you in the safe operation and maintenance of the compressor.

Some illustrations in this Instruction Manual may show details or attachments that differ from those on your own compressor.

## NAME OF PARTS

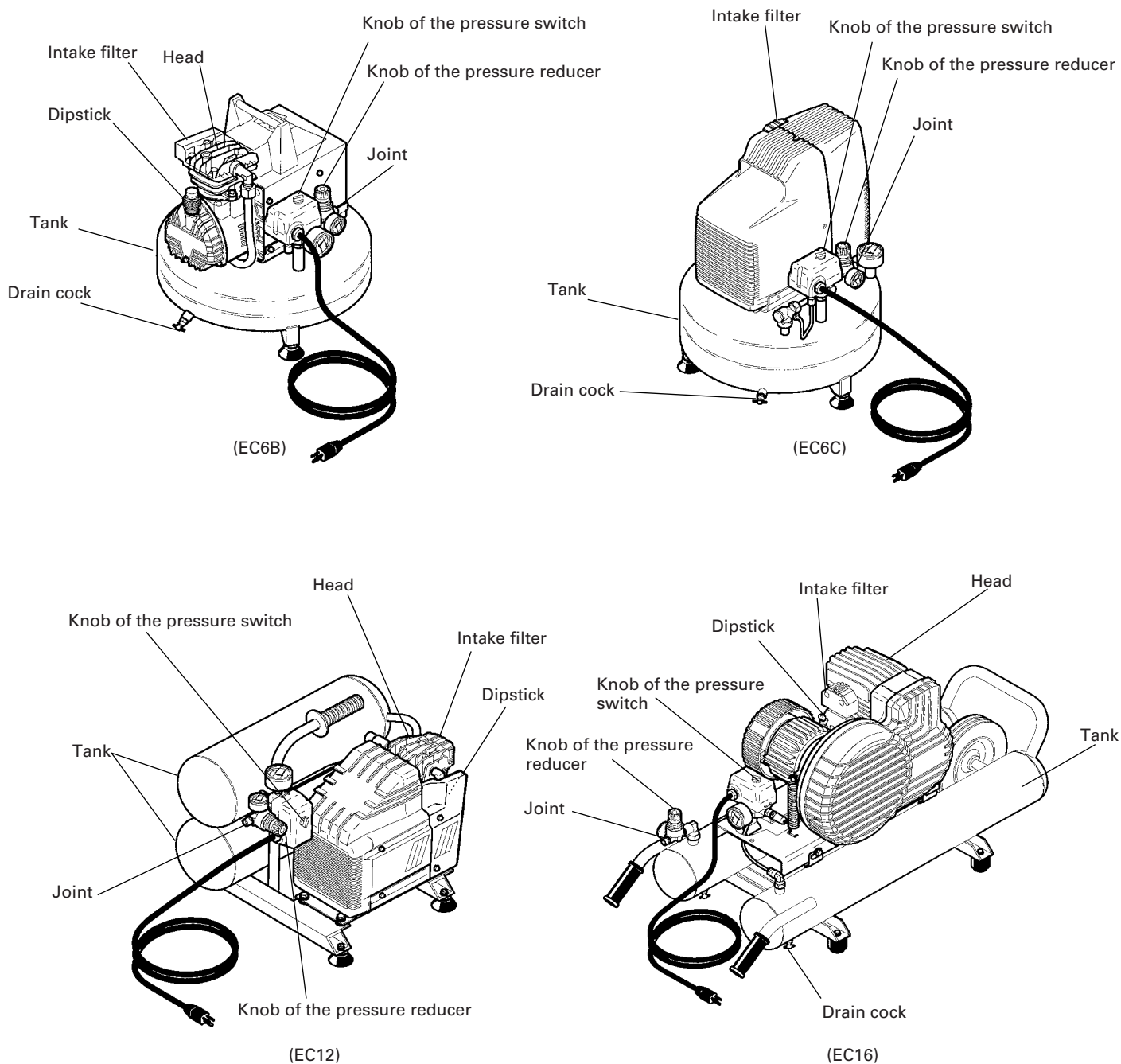


Fig. 1



## SPECIFICATIONS

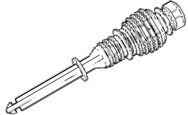
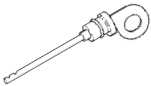
Model	EC6B	EC6C	EC12	EC16
Motor	Single-Phase, Induction Motor			
Power Source	Single-Phase, 115V AC 60Hz			
Input	1 HP (0.75 KW)	1 HP (0.75 KW)	2 HP (1.49 KW)	2 1/2 HP (1.87 KW)
Current	7.8A	10.05A	13.5A	13.5A
Tank Capacity	3.3 gal. (12.5 ltr)	3.3 gal. (12.5 ltr)	4 gal. (15.1 ltr)	5 gal. (18.9 ltr)
Maximum Pressure	125 PSI (8.6 bar)	125 PSI (8.6 bar)	125 PSI (8.6 bar)	145 PSI (10.0 bar)
Free Air Delivery	at 40 PSI (2.8 bar)	3.2 CFM (91 ltr/min)	3.0 CFM (85 ltr/min)	4.2 CFM (119 ltr/min)
	at 90 PSI (6.2 bar)	2.5 CFM (71 ltr/min)	2.4 CFM (68 ltr/min)	4.1 CFM (116 ltr/min)
	at 100 PSI (6.9 bar)	2.4 CFM (68 ltr/min)	2.4 CFM (68 ltr/min)	4.7 CFM (133 ltr/min)
Lubrication	Oil	Oil-less	Oil	Oil

## ACCESSORIES

### ⚠ WARNING:

- Accessories other than those shown below can lead to malfunction and resulting injuries.

### STANDARD ACCESSORIES

EC6B EC12		Dipstick ----- 1
EC16		Dipstick ----- 1
EC6C	No accessories	

## APPLICATIONS

- Air source of the pneumatic nailer and stapler.

## PRIOR TO OPERATION

### 1. Power source

Ensure that the power source to be utilized conforms to the power source requirements specified on the product nameplate.

### 2. Power switch

Ensure that the knob of the pressure switch is in the "OFF" position. If the plug is connected to a receptacle while the knob is in the "AUTO" position, the compressor will start operating immediately and can cause serious injury.

### 3. Extension cord

When the work area is far away from the power source, use an extension cord of sufficient thickness and rated capacity (refer page 6). The extension cord should be kept as short as practicable.

**⚠ WARNING: Damaged cord must be replaced or repaired.**

### 4. Confirm the power receptacle

If the power receptacle only loosely accepts the plug, the receptacle must be repaired. Contact the nearest electric store for repair service.

If such a faulty receptacle is used, may cause overheating, resulting in a serious hazard.

### 5. Dipstick insertion and oil level check

(If your compressor is EC6C this step is not necessary.)

Use a screwdriver or similar tool to remove the plastic cap on the lower part of the cylinder (Fig. 2).

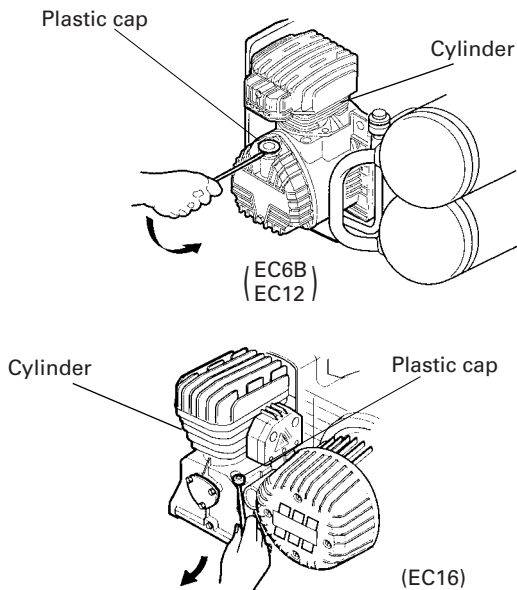


Fig. 2

Insert the accessory dipstick all the way to the bottom. Remove the dipstick and make sure the oil level is within the range of the dipstick notches (Fig. 3).

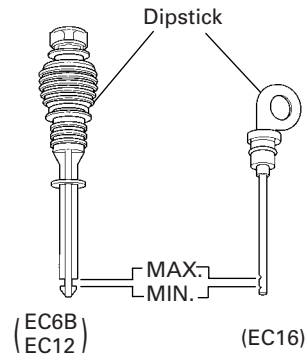


Fig. 3

When the oil volume is insufficient, refer to the section "Oil change-oil topping off" on page 12 for a description of how to supply the oil.

### 6. Air coupler installation

Screw in the air coupler to the joint (Refer to Fig. 1 and Fig. 4.). The screw size of the joint is 3/8". Use an air coupler which has the same screw size.

## OPERATION

### 1. Start up

Insert the plug into the receptacle and start the compressor by turning the knob of the pressure switch, to "AUTO". (Refer to Fig. 1 and Fig. 4).

**⚠ WARNING: Do not stop or start the compressor by use of the plug. Always use "AUTO/OFF" knob located on the pressure switch.**

The operation of the compressor is automatic and is controlled by the pressure switch which stops it when the pressure in the air-tank reaches the maximum level and restart it when the air pressure drops during use to the restart level.

The motor of the compressor is fitted with a thermal protection inside-the-wrap, which stops the compressor when the temperature is too high. Should this be tripped, the compressor will restart automatically after 15-20 minutes.

### 2. Adjustment of working pressure

Unlock the knob of the pressure reducer pulling it up, adjust the pressure to the required level by turning the knob clockwise to increase and counterclockwise to decrease.

A pressure gauge is provided to know when the required pressure is reached, lock the knob by pushing it down firmly (Fig. 4).

**⚠ WARNING: Check the manufacturer's maximum pressure rating for nailers, staplers and accessories. Compressor outlet pressure must be regulated so as to never exceed the maximum pressure rating of the nailers, staplers and accessories.**

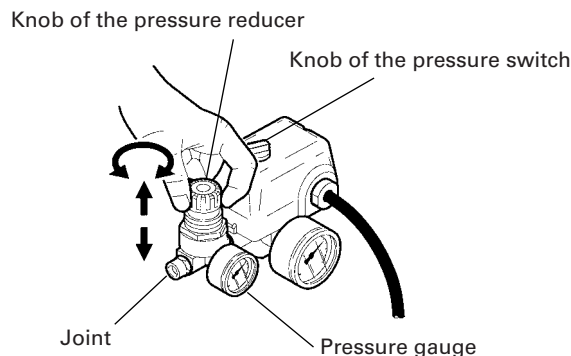
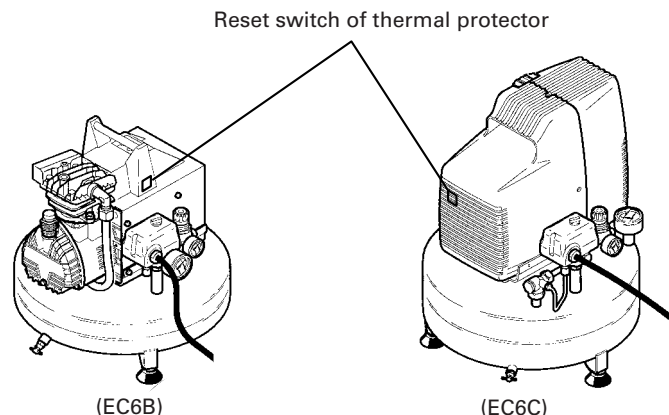


Fig. 4



### 3. Shutdown

- (1) Turn the knob of the pressure switch to "OFF". (Fig. 1)
- (2) Unplug the plug from power source.
- (3) Open the drain cock located at the lower part of the tank (Fig. 5).

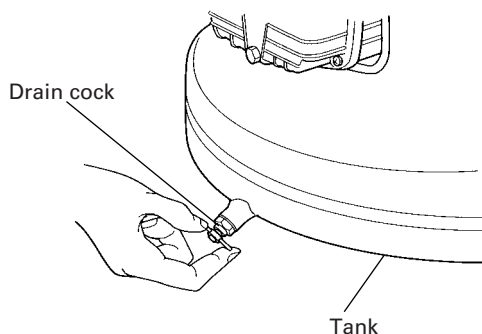


Fig. 5

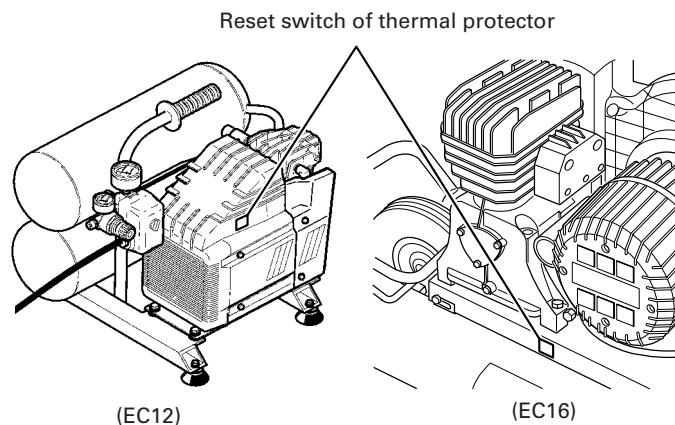


Fig. 6

### 4. About the thermal protector

This item is not necessary if your compressor is not equipped with the thermal protector reset switch shown in Fig. 6.

The thermal protector operates to stop the motor when a problem such as a motor overload, etc., occurs. If the motor should stop during operation, proceed as follows.

- (1) Turn the pressure switch knob to the OFF position (Fig. 1) and disconnect the plug from the receptacle.
- (2) If the extension cord does not conform to the specifications given on page 6, replace with an extension cord such as that shown on page 6. If the capacity of the power supply is insufficient, increase the power supply capacity to remove the cause of a flow of excessive current (over-current).
- (3) Wait approximately 5 minutes, then press the reset switch of the thermal protector (Fig. 6).
- (4) Start up. If the motor still stops during operation, please contact the service center.

## MAINTENANCE

**⚠ WARNING:** Disconnect the compressor from the power source and remove the compressed air from the air tank before performing the maintenance operations.

### 1. Cleaning the intake filter

Remove the intake filter (Refer to Fig. 1.) every 50 hours or once a week and clean the inside of the intake filter and the filter element with compressed air. (Fig. 7)

Use a phillips screwdriver to disassemble intake filter models EC6B, EC6C and EC12. Use an allen wrench to disassemble model EC16.

**⚠ WARNING:** Never clean filter element with a flammable liquid or solvent.

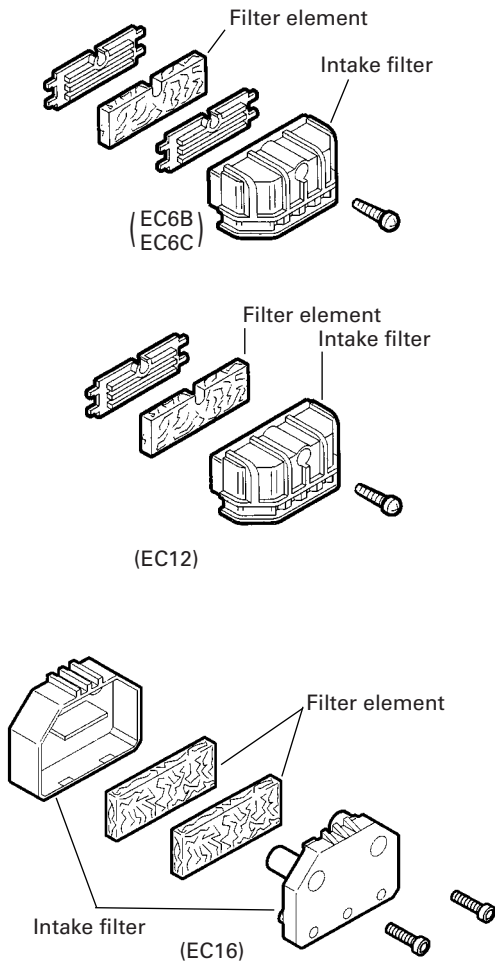


Fig. 7

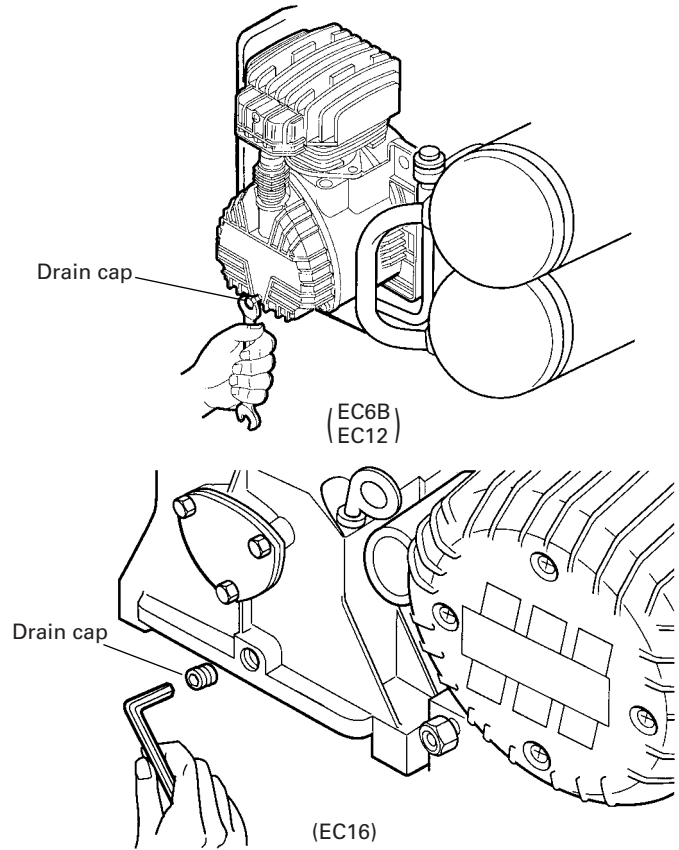


Fig. 8

**NOTE:**

Replace the filter element when it becomes dirty.

**2. Draining tank**

Drain tank daily or after 4 hours of use. Open drain fitting and tilt compressor to empty accumulated water. (Fig. 5).

**3. Oil change-oil topping off**

(Only for EC6B, EC12, EC16)

(1) Within the first 50 hours of operation, completely replace the oil of the pumping element. Unfasten the oil drain cap on the casing cover, drain all the oil, and screw the cap back on (Fig. 8).

Pour oil into the hole of the dipstick.  
To the level indicated on the dipstick (Fig. 3).  
For oil replacement, follow the table below.

**OIL TYPE**

SAE 5W50 SYNTHETIC OIL (-20°+120°F) For both summer and winter use
SAE 10W40 MULTI-GRADED OIL (+50°+120°F) For warm weather use only

- (2) Check the oil level of the pumping element every 50 hours or once a week.
- (3) Change the oil every 300 working hours or every 6 months.

**SERVICE AND REPAIRS**

All quality compressors will eventually require servicing or replacement of parts because of wear from normal use. To assure that only authorized replacement parts will be used, all service and repairs must be performed by a HITACHI AUTHORIZED SERVICE CENTER, ONLY.

**NOTE:**

Specifications are subject to change without any obligation on the part of the HITACHI.

---

## INFORMATIONS IMPORTANTES

---

Lire attentivement toutes les instructions de fonctionnement, les consignes de sécurité et les mises en garde contenues dans ce manuel avant de faire fonctionner le compresseur ou de procéder à son entretien.

La majorité des accidents résultant de l'utilisation ou de l'entretien du compresseur sont dus au non respect des consignes et règles de sécurité élémentaires. En identifiant à temps les situations potentiellement dangereuses et en observant les consignes de sécurité appropriées, on évite bien souvent des accidents.

Les consignes élémentaires de sécurité sont décrites dans la section «SÉCURITÉ» de ce manuel ainsi que dans les sections renfermant les instructions d'utilisation et d'entretien.

Les situations dangereuses à éviter pour prévenir tout risque de blessure grave ou de dommages de la machine sont signalées par des «AVERTISSEMENT» sur le compresseur et dans le manuel d'utilisation.

Ne jamais utiliser le compresseur d'une manière autre que celles spécifiquement recommandées par Hitachi, à moins de s'être préalablement assuré que l'utilisation envisagée ne sera dangereuse ni pour soi ni pour les autres.

---

## SIGNIFICATION DU VOCABULAIRE DE SIGNALISATION

---

**AVERTISSEMENT** indique une situation potentiellement dangereuse qui, s'il n'est pas tenu compte de son caractère, risque de provoquer de graves blessures.

**PRÉCAUTION** indique une situation dangereuse qui, s'il n'est pas tenu compte de son caractère, risque de provoquer des blessures légères ou d'endommager la machine.

**REMARQUE** souligne une information essentielle.

# SÉCURITÉ

## CONSIGNES DE SÉCURITÉ IMPORTANTES POUR L'UTILISATION DU COMPRESSEUR

**⚠ AVERTISSEMENT:** Une utilisation du compresseur de manière incorrecte ou qui ne respecte pas les consignes de sécurité peut entraîner la mort ou de graves blessures. Pour éviter tout danger, observer ces consignes élémentaires de sécurité:

### BIEN LIRE TOUTES LES INSTRUCTIONS

1. **NE JAMAIS TOUCHER AUX PIÈCES MOBILES.**  
Ne jamais approcher les mains, les doigts ou aucune autre partie du corps des pièces mobiles du compresseur.
2. **NE JAMAIS FAIRE FONCTIONNER LE COMPRESSEUR SI TOUS LES GARDES PROTECTEURS NE SONT PAS EN PLACE**  
Ne jamais faire fonctionner le compresseur si tous les gardes protecteurs ou dispositifs de sécurité ne sont pas en place et en bon état. Si une opération d'entretien ou de réparation nécessite le démontage d'un garde protecteur ou d'un dispositif de sécurité, bien tous les remonter avant de remettre le compresseur en marche.
3. **TOUJOURS SE PROTÉGER LES YEUX.**  
Toujours porter des lunettes ou un masque de protection oculaire. Ne jamais diriger le jet d'air comprimé sur une personne ou une partie du corps.
4. **SE PROTÉGER CONTRE LES DÉCHARGES ÉLECTRIQUES.**  
Empêcher tout contact du corps avec les surfaces mises à la terre, par exemple les tuyaux, radiateurs, plaques de cuisson et enceintes de réfrigération. Ne jamais faire fonctionner le compresseur dans un endroit humide ou sur une surface mouillée.
5. **DÉBRANCHER LE COMPRESSEUR.**  
Toujours débrancher le compresseur de sa source d'alimentation et évacuer l'air comprimé de son réservoir avant toute opération de réparation, d'inspection, d'entretien, de nettoyage, de remplacement ou de vérification des pièces.
6. **ÉVITER TOUTE MISE EN MARCHÉ ACCIDENTELLE.**  
Ne pas transporter le compresseur alors qu'il est encore raccordé à sa source d'alimentation ou que le réservoir d'air comprimé est plein. Bien s'assurer que le sélecteur de l'interrupteur barométrique se trouve sur la position «OFF» (arrêt) avant de raccorder le compresseur à son alimentation.
7. **ENTREPOSER CORRECTEMENT LE COMPRESSEUR.**  
Veiller à ce qu'il soit hors de portée des enfants. Fermer à clé le local d'entreposage.
8. **MAINTENIR L'AIRE DE TRAVAIL PROPRE.**  
Une aire de travail encombrée augmente les risques d'accident. La débarrasser des outils inutiles, débris, meubles, etc.
9. **SE SOUCIER DE L'ENVIRONNEMENT DE TRAVAIL.**  
Ne pas exposer le compresseur à la pluie. Ne pas l'utiliser dans un endroit humide ou sur une surface mouillée. Veiller à ce que l'aire de travail soit bien éclairée et bien aérée. Ne pas utiliser le compresseur en présence de liquides ou de gaz inflammables.  
Le compresseur projette des étincelles pendant qu'il fonctionne. Ne jamais l'utiliser à proximité de laque, de peinture, de benzine, de diluant, d'essence, de gaz, de produits adhésifs ou de tout autre produit combustible ou explosif.
10. **ÉLOIGNER LES ENFANTS.**  
Ne pas laisser les visiteurs toucher au cordon de rallonge du compresseur. Tous les visiteurs devront se tenir suffisamment éloignés de l'aire de travail.
11. **SE VÊTIR CORRECTEMENT.**  
Ne porter ni vêtements lâches ni bijoux. Ils pourraient se prendre dans les pièces mobiles. Porter un coiffe recouvrant les cheveux longs.
12. **FAIRE ATTENTION AU CORDON.**  
Ne jamais tirer brusquement sur le cordon pour le débrancher. Tenir le cordon loin des sources de chaleur, de graisse et des surfaces tranchantes.
13. **ENTREtenir LE COMPRESSEUR AVEC SOIN.**  
Suivre les instructions de lubrification. Inspecter régulièrement les cordons et, s'ils sont endommagés, les faire réparer dans un centre de service après-vente agréé. Inspecter périodiquement les cordons de rallonge et les faire réparer s'ils sont endommagés.
14. **CORDONS DE RALLONGE POUR UTILISATION À L'EXTÉRIEUR.**  
Si l'outil doit être utilisé dehors, utiliser exclusivement des cordons de rallonge conçus pour l'extérieur et identifiés comme tels.
15. **RESTER SUR SES GARDES.**  
Bien faire attention à ce que l'on fait. Faire preuve de bon sens. Ne pas utiliser le compresseur lorsque l'on est fatigué. Ne jamais utiliser le compresseur si l'on est sous l'effet d'alcool, de drogues ou de médicaments causant de la somnolence.
16. **CONTRÔLER LES PIÈCES ENDOMMAGÉES ET LES FUITES D'AIR.**  
Avant de continuer à utiliser le compresseur, inspecter attentivement les protections ou autres pièces endommagées pour s'assurer que le compresseur pourra fonctionner correctement et effectuer le travail pour lequel il est conçu. Vérifiez l'alignement et le couplage des pièces mobiles, la présence de pièces brisées, le montage, les fuites d'air et tout autre élément susceptible d'altérer le bon fonctionnement.



- 17. UTILISER LE COMPRESSEUR EXCLUSIVEMENT POUR LES APPLICATIONS SPÉCIFIÉES DANS LE MANUEL D'UTILISATION.**  
Ne jamais utiliser le compresseur pour des utilisations autres que celles spécifiées dans le manuel.
- 18. MANIPULER LE COMPRESSEUR CORRECTEMENT.**  
Faire fonctionner le compresseur conformément aux instructions de ce manuel. Ne jamais laisser les enfants, les personnes non familiarisées avec son fonctionnement ou toute personne non autorisée utiliser le compresseur.
- 19. VÉRIFIER QUE CHAQUE VIS, BOULON ET COUVERCLE EST SOLIDEMENT VISSÉ.**  
Veiller à ce que chaque vis, boulon et couvercle soit solidement vissé. Vérifier périodiquement le serrage.
- 20. MAINTENIR L'ÉVENT D'AÉRATION DU MOTEUR PROPRE.**  
L'évent d'aération du moteur doit rester propre en permanence de façon à ce que l'air puisse circuler librement. Contrôler fréquemment l'accumulation de poussière.
- 21. FAIRE FONCTIONNER LE COMPRESSEUR À LA TENSION NOMINALE.**  
Faire fonctionner le compresseur à la tension spécifiée sur la plaque signalétique. Si le compresseur est utilisé à une tension supérieure à la tension nominale, il en résultera une vitesse de rotation du moteur anormalement élevée risquant d'endommager le compresseur et de griller le moteur.
- 22. NE JAMAIS UTILISER UN COMPRESSEUR DÉFECTUEUX OU DONT LE FONCTIONNEMENT EST ANORMAL.**  
Si le compresseur semble ne pas fonctionner, s'il émet un bruit bizarre ou qu'il semble défectueux, l'arrêter immédiatement et le faire réparer dans un centre de service après-vente Hitachi agréé.
- 23. NE PAS NETTOYER LES PIÈCES DE PLASTIQUE AVEC DU SOLVANT.**  
Les solvants tels qu'essence, diluant, benzine, tétrachlorure de carbone et alcool risquent d'endommager et de fendre les pièces de plastique. Ne pas les nettoyer avec ce genre de produit. Pour nettoyer les pièces de plastique, utiliser un linge doux humecté d'eau savonneuse puis sécher complètement.
- 24. UTILISER EXCLUSIVEMENT DES PIÈCES DE RECHANGE HITACHI D'ORIGINE.**  
L'utilisation de pièces de rechange autres que celles fabriquées par Hitachi peut entraîner l'annulation de la garantie et être la cause d'un mauvais fonctionnement et des blessures en résultant. Les pièces d'origine Hitachi sont disponibles auprès de son distributeur.
- 25. NE PAS MODIFIER LE COMPRESSEUR.**  
Ne pas modifier le compresseur. Toujours consulter un centre de service après-vente Hitachi agréé pour toute réparation. Une modification non autorisée risque non seulement d'affecter les performances du compresseur, mais également d'être la cause d'accidents et de blessures pour le personnel de réparation qui ne posséderait pas les compétences techniques nécessaires.
- 26. DÉSACTIVER L'INTERRUPTEUR BAROMÉTRIQUE LORSQU'ON NE SE SERT PAS DU COMPRESSEUR.**  
Quand le compresseur ne fonctionne pas, régler le sélecteur de l'interrupteur barométrique sur «OFF», débrancher le compresseur et ouvrir le robinet de vidange pour vider le réservoir d'air comprimé.
- 27. NE JAMAIS TOUCHER LES SURFACES CHAUDES.**  
Pour éviter tout risque de brûlures, ne pas toucher les tubes, les culasses ni les moteurs.
- 28. NE PAS DIRIGER LE JET D'AIR DIRECTEMENT SUR LE CORPS.**  
Sous peine de blessures, ne pas diriger le jet d'air sur des personnes ou des animaux.
- 29. VIDANGER LE RÉSERVOIR.**  
Vidanger le réservoir tous les jours ou toutes les 4 heures d'utilisation. Ouvrir le bouchon de vidange et incliner le compresseur pour vider l'eau qui s'est accumulée.
- 30. NE PAS ARRÊTER LE COMPRESSEUR EN TIRANT SUR LA FICHE.**  
Utiliser la position «AUTO/OFF» du sélecteur de l'interrupteur barométrique.
- 31. POUR LE CIRCUIT PNEUMATIQUE, N'UTILISER QUE DES PIÈCES RECOMMANDÉES SUPPORTANT UNE PRESSION SUPÉRIEURE OU ÉGALE À 125 PSI (8,6 BARS).**  
Il y a risque d'explosion. N'utiliser que des pièces pneumatiques recommandées supportant une pression supérieure ou égale à 125 psi (8,6 bars).

## **PIÈCES DE RECHANGE**

Pour les réparations, utiliser uniquement des pièces de rechange identiques aux pièces remplacées. Confier toute réparation à un centre de service après-vente Hitachi agréé.

# SÉCURITÉ (suite)

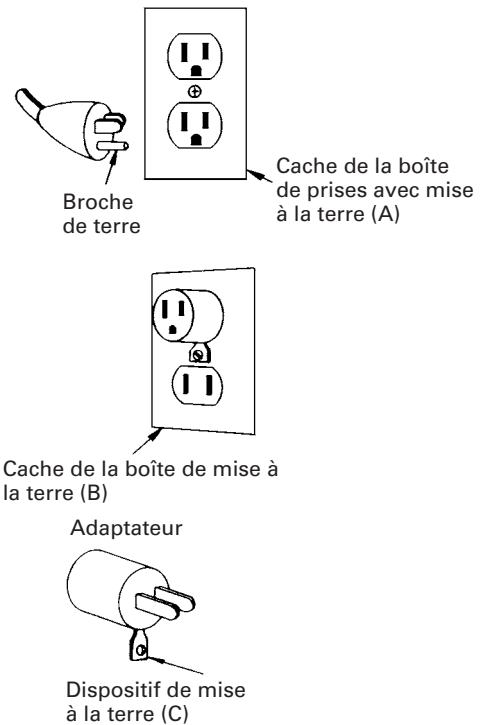
## INSTRUCTIONS DE MISE À LA TERRE

Ce compresseur devra être mis à la terre pendant le fonctionnement de manière à protéger l'opérateur des décharges électriques. Le compresseur est doté d'un cordon à trois conducteurs et d'une fiche à trois broches qui s'insère dans une prise de courant avec mise à la terre. Le conducteur vert (ou vert et jaune) du cordon est le fil de terre. Ne jamais raccorder le fil vert (ou vert et jaune) à une prise sous tension. Si l'appareil fonctionne sous moins de 150 volts, il possède une fiche qui ressemble à celle du schéma (A) de la figure de droite. Un adaptateur (voir schémas (B) et (C)) est disponible en option pour le raccordement d'une fiche de type (A) à une prise sans mise à la terre externe. Il faudra raccorder l'oeillet ou la patte, etc. rigide de couleur verte qui fait saillie sur l'adaptateur à une terre permanente, par exemple une boîte de prises correctement mise à la terre.

**Remarque:** L'adaptateur de mise à la terre (schéma (C)) est interdit aux termes du Code électrique canadien, partie 1. Par conséquent, les instructions qui s'y rapportent ne sont pas applicables au Canada.

Il est recommandé de ne jamais démonter le compresseur ou d'essayer de refaire le câblage du système électrique. Les réparations seront exclusivement effectuées par un centre de service après-vente Hitachi ou tout autre centre de réparation agréé. Si l'on décide de faire la réparation soi-même, bien avoir à l'esprit que le fil de couleur verte est le fil de «terre». Ne jamais raccorder ce fil vert à une prise «sous tension». Si l'on remplace la fiche du cordon d'alimentation, bien raccorder le fil vert uniquement à la broche de terre (la plus longue) d'une fiche avec mise à la terre.

En cas de doute, consulter un électricien qualifié ou faire vérifier la mise à la terre de la prise.



## CORDON DE RALLONGE

Utiliser exclusivement des cordons de rallonge avec fiche de mise à la terre à trois broches et des prises à trois pôles capables de recevoir la fiche du compresseur. Remplacer ou faire remplacer le cordon s'il est endommagé. Vérifier que le cordon de rallonge est en bon état. Lorsqu'on utilise un cordon de rallonge, veiller à ce que la valeur de son courant maximal admissible soit suffisamment élevée pour qu'il puisse supporter le courant dont l'appareil aura besoin. L'utilisation d'un cordon sous dimensionné provoquera une chute de tension en ligne entraînant perte de puissance et surchauffe. Le tableau indique le calibre à utiliser en fonction de la longueur du cordon et de l'intensité nominale indiquée sur la plaque signalétique. En cas de doute, utiliser un cordon de calibre supérieur. Plus le numéro de calibre est petit, plus le cordon peut supporter un courant élevé.

### CALIBRE MINIMAL DES CORDONS

		Longueur totale du cordon en pieds (mètres)			
		0 – 25 (0 – 7,6)	26 – 50 (7,9 – 15,2)	51 – 100 (15,5 – 30,5)	101 – 150 (30,8 – 45,7)
Intensité nominale		CALIBRE			
Supérieure à	Inférieure ou égale à				
	0 – 6	18	16	16	14
	6 – 10	18	16	14	12
	10 – 12	16	16	14	12
	12 – 16	14	12	Non recommandé	



**⚠ AVERTISSEMENT:** Éviter tout risque de décharge électrique. Ne jamais utiliser le compresseur avec un cordon électrique ou un cordon de rallonge endommagé ou dénudé. Inspecter régulièrement les cordons électriques. Ne jamais utiliser dans l'eau ou à proximité de l'eau, ou dans un environnement susceptible de provoquer des décharges électriques.

**CONSERVER CES INSTRUCTIONS  
ET  
LES METTRE À LA DISPOSITION  
DES PERSONNES QUI VONT UTILISER L'APPAREIL!**

# UTILISATION ET ENTRETIEN

**REMARQUE :**

Les informations que vous trouverez dans ce manuel sont conçues pour vous aider à utiliser et à entretenir ce compresseur en toute sécurité.

Certaines illustrations de ce manuel peuvent montrer des détails qui diffèrent de ceux de votre compresseur.

## NOM DES PIÈCES

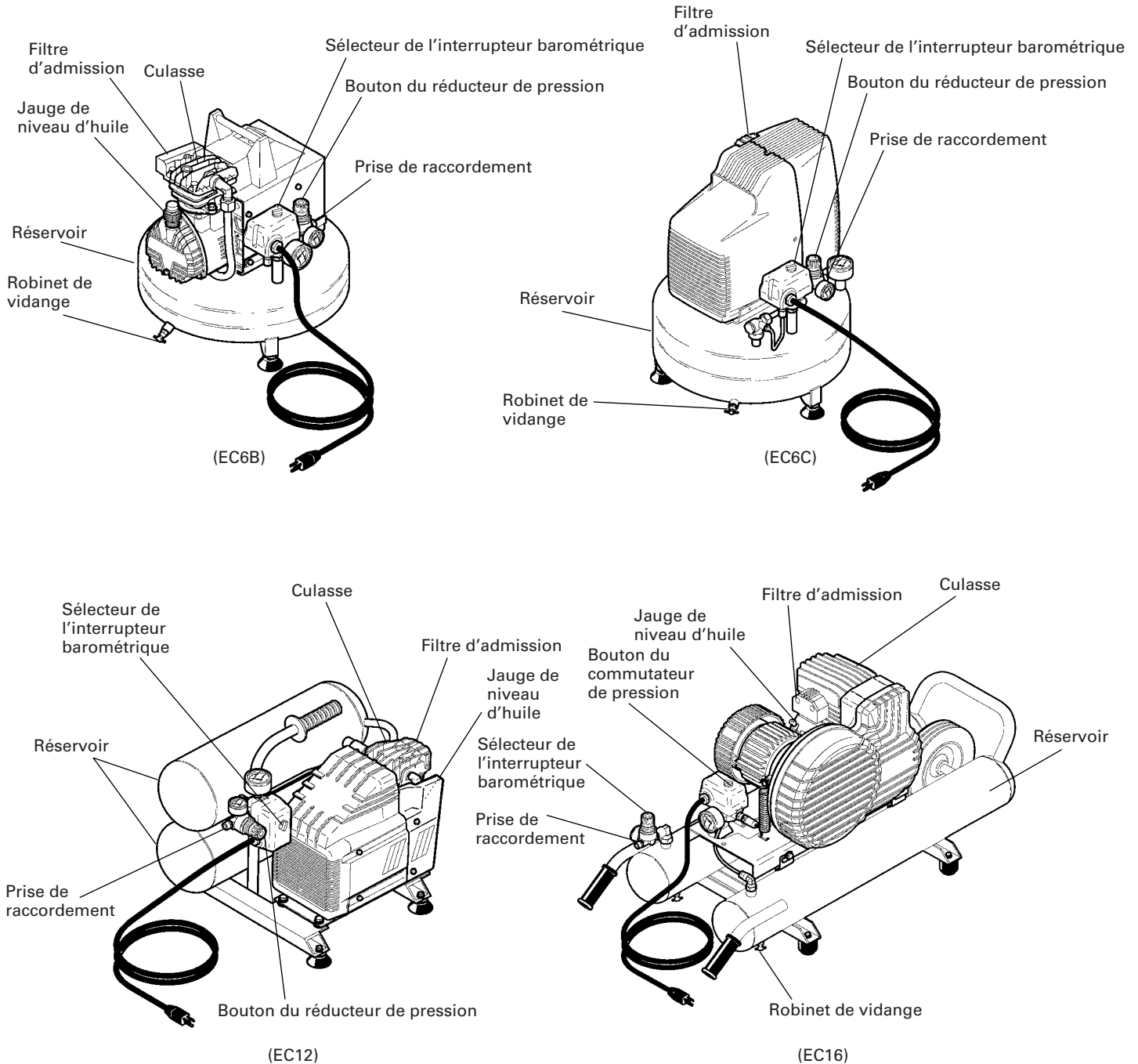


Fig. 1

## SPÉCIFICATIONS

Modèle	EC6B	EC6C	EC12	EC16
Moteur	Moteur à induction monophasé			
Alimentation	Monophasée, 115 V – 60 Hz			
Entrée	1 CV (0,75 KW)	1 CV (0,75 KW)	2 CV (1,49 KW)	2 1/2 CV (1,87 KW)
Courant	7,8A	10,05A	13,5A	13,5A
Contenance du réservoir	3,3 gal. (12,5 R)	3,3 gal. (12,5 R)	4 gal. (15,1 R)	5 gal. (18,9 R)
Pression maximale	125 PSI (8,6 bars)	125 PSI (8,6 bars)	125 PSI (8,6 bars)	145 PSI (10,0 bars)
Refoulement d'air libre	à 40 PSI (2,8 bar)	3,2 CFM (91 R/min)	3,0 CFM (85 R/min)	4,2 CFM (119 R/min)
	à 90 PSI (6,2 bar)	2,5 CFM (71 R/min)	2,4 CFM (68 R/min)	4,1 CFM (116 R/min)
	à 100 PSI (6,9 bar)	2,4 CFM (68 R/min)	2,4 CFM (68 R/min)	3,6 CFM (102 R/min)
Lubrification	Huile		Huile	

## ACCESSOIRES

### ⚠ AVERTISSEMENT :

- Le accessoires autres que ceux indiqués ci-dessous risquent d'entraîner un mauvais fonctionnement et de provoquer des blessures.

### ACCESSOIRES STANDARDS

EC6B EC12		Jauge de niveau d'huile ----- 1
EC16		Jauge de niveau d'huile ----- 1
EC6C	Sans accessoire	

## APPLICATIONS

- Alimentation en air d'une cloueuse ou d'une agrafeuse pneumatique.

## AVANT L'UTILISATION

### 1. Source d'alimentation

Vérifier que la source d'alimentation que l'on prévoit d'utiliser est conforme aux spécifications mentionnées sur la plaque signalétique de l'appareil.

### 2. Interrupteur d'alimentation

Vérifier que le sélecteur de l'interrupteur barométrique se trouve sur la position «OFF». Si l'on branche la fiche dans la prise alors que le sélecteur de l'interrupteur barométrique se trouve sur «AUTO», le compresseur se mettra en marche immédiatement, risquant de causer de graves blessures.

### 3. Cordon de rallonge

Si l'aire de travail est éloignée de la source d'alimentation, utiliser un cordon de rallonge de diamètre et de courant nominal suffisants (voir page 16). Le cordon de rallonge devra être le plus court possible.

**⚠ AVERTISSEMENT:** Tout cordon endommagé devra être remplacé ou réparé.

### 4. Vérifier la prise d'alimentation

Si la fiche ne peut s'insérer solidement dans la prise d'alimentation, réparer la prise. Confier les réparations à un magasin d'appareils électriques. Si l'on utilise une prise défectueuse, on risque des provoquer une surchauffe, ce qui pourrait être très dangereux.

### 5. Insertion de la jauge et vérification du niveau d'huile

(Si le compresseur est un modèle EC6C, sauter cette étape.)

À l'aide d'un tournevis ou de tout outil similaire retirer le capuchon en plastique qui se trouve sur la partie inférieure du cylindre (Fig. 2).

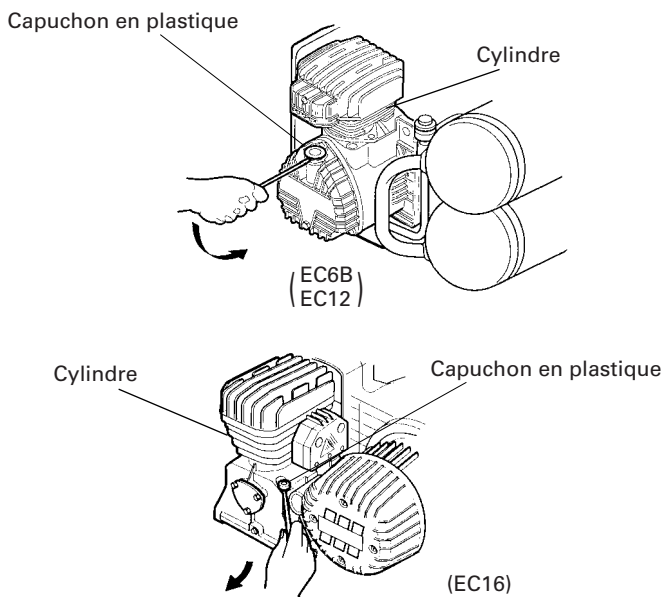


Fig. 2

Insérer complètement la jauge de niveau d'huile. Retirer la jauge et vérifier que le niveau d'huile se trouve entre les encoches gravées dans celle-ci. (Fig. 3).

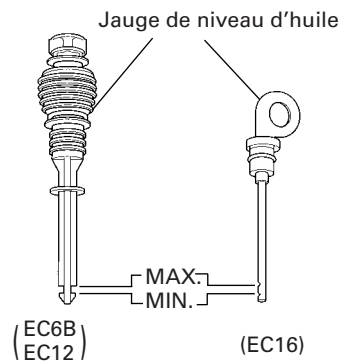


Fig. 3

Si le niveau d'huile est insuffisant, se reporter à la section «Changement d'huile/Débordement d'huile» en page 22, pour en rajouter.

### 6. Installation du coupleur d'air

Visser le coupleur pneumatique sur la prise de raccordement (voir Fig. 1 et Fig. 4). La prise de raccordement est d'un diamètre de 3/8".

## UTILISATION

### 1. Démarrage

Brancher la fiche dans la prise et mettre le compresseur en marche en positionnant le sélecteur de l'interrupteur barométrique sur «AUTO» (Voir Fig. 1 et Fig. 4).

**⚠ AVERTISSEMENT:** Ne pas arrêter ou démarrer le compresseur au moyen de la fiche. Toujours utiliser la position «ON/OFF» du sélecteur de l'interrupteur barométrique.

Le fonctionnement du compresseur est automatique, il est contrôlé par l'interrupteur barométrique qui l'arrête lorsque la pression de l'air contenu dans le réservoir atteint la valeur maximale, et qui le redémarre lorsque cette pression retombe sous le seuil de redémarrage en cours d'utilisation. Le moteur du compresseur est équipé d'une protection thermique à l'intérieur du bobinage, qui arrête le compresseur lorsque la température devient trop élevée. Le compresseur redémarre automatiquement 15 à 20 minutes après le déclenchement de cette protection.

### 2. Réglage de la pression de travail

Déverrouiller le bouton du réducteur de pression en tirant dessus; régler la pression à la valeur désirée en tournant dans le sens des aiguille d'une montre pour l'augmenter, ou dans le sens opposé pour la diminuer. Un indicateur de pression permet de visualiser quand la valeur désirée est atteinte; pour verrouiller le bouton appuyer à fond dessus (Fig. 4).

**⚠ AVERTISSEMENT:** Vérifiez la pression maximale admissible de la cloueuse, de l'agrafeuse ou de l'accessoire. La pression de sortie du compresseur devra être réglée de manière à ne pas dépasser cette valeur.

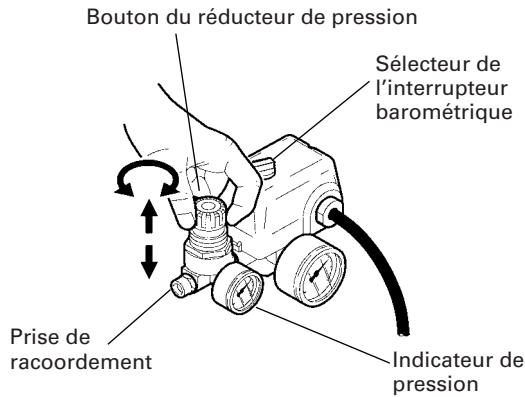


Fig. 4

### 3. Arrêt

- (1) Positionner le sélecteur de l'interrupteur barométrique sur «OFF» (Fig. 1).
- (2) Débrancher la fiche de la source d'alimentation.
- (3) Ouvrir le bouchon de vidange qui se trouve sous la partie inférieure du réservoir (Fig. 5).

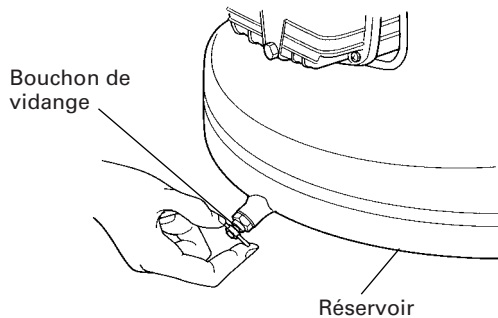


Fig. 5

### 4. A propos du protecteur thermique

Cet élément n'est pas nécessaire si le compresseur n'est pas équipé du commutateur de réenclenchement du protecteur thermique montré dans la Fig. 6.

Le protecteur thermique fonctionne pour arrêter le moteur quand un problème comme un surcharge du moteur, etc. se produit. Si le moteur s'arrête pendant son fonctionnement, procéder comme suit.

- (1) Tourner le commutateur de pression sur la position OFF (Fig. 1) et déconnecter la fiche de la prise murale.
- (2) Si le cordon prolongateur n'est pas conforme aux spécifications données à la page 16, le remplacer par un cordon prolongateur les respectant. Si la puissance de l'alimentation secteur est insuffisante, augmenter cette capacité pour éliminer les causes d'un flux de courant excessif (surintensité).
- (3) Attendre environ 5 minutes, puis appuyer sur le commutateur de réenclenchement du protecteur thermique (Fig. 6).
- (4) Mettre en route. Si le moteur continue de s'arrêter pendant son fonctionnement, contacter un centre de réparation.

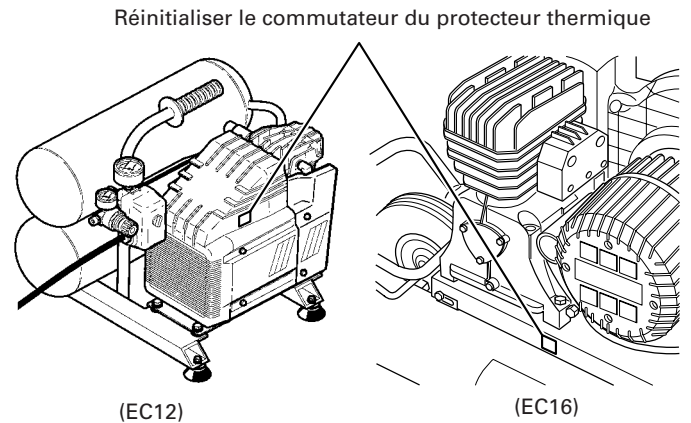
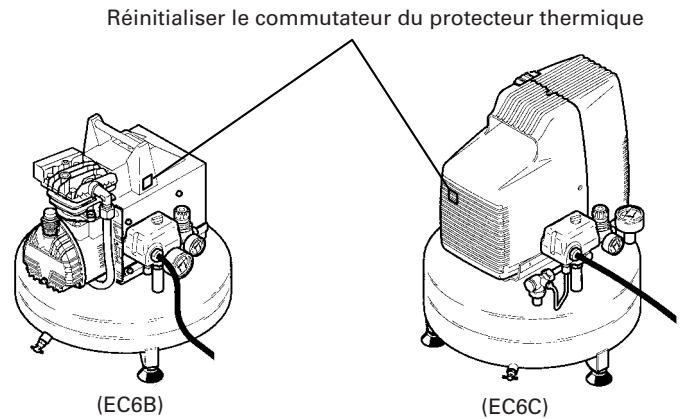


Fig. 6

## ENTRETIEN

**⚠ AVERTISSEMENT:** Débrancher le compresseur de sa source d'alimentation et vider le réservoir d'air comprimé avant toute opération d'entretien.

### 1. Nettoyage du filtre d'admission

Retirer le filtre d'admission (voir Fig. 1) toutes les 50 heures ou une fois par semaine, et en nettoyer l'intérieur ainsi que son élément à l'air comprimé (Fig. 7).

Utiliser un tournevis Philips pour démonter les filtres d'admission des modèles EC6B, EC6C et EC12. Pour le modèle EC16, utiliser un clé Allen.

**⚠ ATTENTION:** Ne jamais nettoyer l'élément du filtre avec un liquide ou un solvant inflammable.

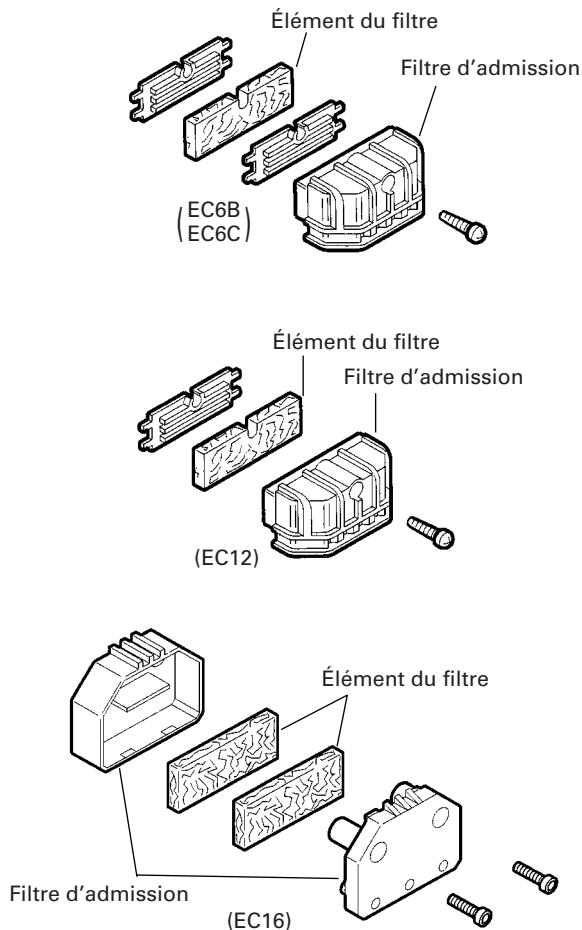


Fig. 7

**REMARQUE :**

Remplacer l'élément du filtre quand il est sale.

**2. Vidange du réservoir**

Vidanger le réservoir tous les jours ou toutes les 4 heures d'utilisation. Ouvrir le bouchon de vidange et incliner le compresseur pour vider l'eau qui s'est accumulée (Fig. 5).

**3. Changement d'huile/Débordement d'huile**  
(Uniquement pour les modèles EC6B, EC12 et EC16).

- (1) Au plus tard après les 50 premières heures d'utilisation, effectuer un changement complet de l'huile de la pompe. Dévisser le bouchon de vidange du carter, vidanger complètement l'huile et remettre le bouchon en place (Fig. 8).

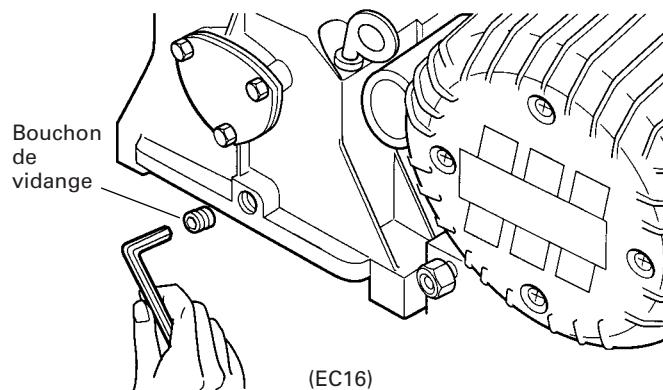
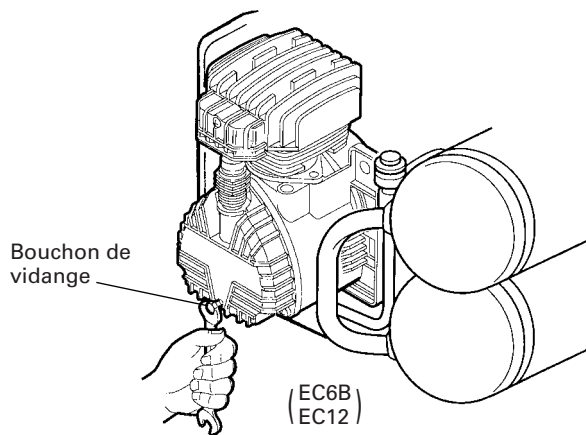


Fig. 8

Verser l'huile par l'orifice de la jauge de niveau jusqu'au repère indiqué sur celle-ci (Fig. 3). Pour le remplacement de l'huile, respecter le tableau ci-dessous.

**TYPE D'HUILE**

<p>Huile synthétique SAE 5W50 (-20° +120°F) Pour l'hiver et l'été Huile multigrade SAE 10W40 (+50° +120°F) Pour temps chaud uniquement.</p>
---

- (2) Vérifier le niveau d'huile de la pompe toutes les 50 heures ou toutes les semaines.
- (3) Changer l'huile toutes les 300 heures de travail ou tous les six mois.

**SERVICE APRÈS-VENTE ET RÉPARATIONS**

Même les compresseurs de qualité finissent par nécessiter un entretien ou un remplacement de pièces sous l'effet d'une usure normale. Pour être sûr de n'utiliser que des pièces de rechange agréées confier EXCLUSIVEMENT tout entretien et toute réparation à un CENTRE DE SERVICE APRÈS-VENTE HITACHI AGRÉÉ.

**REMARQUE :**

Ces spécifications sont susceptibles d'être modifiées sans préavis de la part d'HITACHI.

## **INFORMACIÓN IMPORTANTE**

Antes de utilizar o realizar el servicio de mantenimiento de este compresor, lea y entienda todas las instrucciones de operación, las precauciones de seguridad y las advertencias del Manual de Instrucciones.

La mayoría de los accidentes que resultan de la operación y el mantenimiento del compresor, se deben a la falta de observación de estas reglas y precauciones básicas de seguridad. Los accidentes podrán evitarse reconociendo una situación potencialmente peligrosa antes de que ocurra, y observando los procedimientos de seguridad apropiados.

Las precauciones básicas de seguridad se describen en la sección "SEGURIDAD" de este Manual de Instrucciones, y en las secciones que contienen las instrucciones sobre la operación y el mantenimiento.

Los peligros que se deben evitar para prevenir lesiones físicas o daños a la máquina se identifican por medio de ADVERTENCIAS en el compresor y en el Manual de Instrucciones.

Nunca utilice este compresor de forma no recomendada específicamente por HITACHI, a menos que primeramente confirme que el plan de uso sea sin peligro para usted y otros.

## **SIGNIFICADO DE LAS PALABRAS DE SEÑALIZACIÓN**

**ADVERTENCIA** indica situaciones potencialmente peligrosas que, en caso de ser ignorado, puede resultar en lesiones serias.

**PRECAUCIÓN** indica situaciones peligrosas que, en caso de ser ignorado, puede resultar en lesiones personales moderadas, o causar daños a la máquina.

**NOTA** enfatiza información esencial.



# SEGURIDAD

## INSTRUCCIONES DE SEGURIDAD IMPORTANTES PARA LA UTILIZACIÓN DEL COMPRESOR

**⚠️ ADVERTENCIA:** La utilización inapropiada o el manejo inseguro de este compresor, puede resultar en muerte o en lesiones físicas serias. Para evitar estos riesgos, siga estas instrucciones básicas de seguridad.

### LEA TODAS LAS INSTRUCCIONES

1. **NUNCA TOCAR LAS PARTES MOVIBLES.**  
Nunca colocar las manos, dedos u otras partes del cuerpo cerca de las partes en movimiento del compresor.
2. **NUNCA OPERAR SIN QUE TODAS LAS GUARDAS PROTECTORAS ESTÉN EN SU LUGAR.**  
Nunca opere este compresor sin que todas las guardas o elementos de protección estén en su lugar y en buenas condiciones de trabajo. Si por servicio o mantenimiento se requiere la remoción de una guarda o elemento de protección, asegure de reponer la guarda antes de reanudar la operación del compresor.
3. **SIEMPRE UTILICE PROTECCIÓN PARA LOS OJOS.**  
Siempre utilice gafas o lo equivalente en protección para los ojos. El aire comprimido nunca debe apuntarse o dirigirse a cualquiera persona o a ninguna parte del cuerpo.
4. **PROTÉJASE CONTRA CHOQUES ELÉCTRICOS.**  
Prevenir que su cuerpo tenga contacto con superficies con toma de tierra, tales como tubos, radiadores, estufas, y los recintos del refrigerador. Nunca operar la compresora en lugares húmedos o mojados.
5. **DESCONECTAR EL COMPRESOR.**  
Antes de iniciar cualquier servicio, inspección, mantenimiento, limpieza, reemplazo, o al examinar cualquier pieza, desconecte siempre el compresor de la toma de corriente y remueva el aire comprimido del tanque.
6. **MARCHA NO-INTENCIONAL.**  
No porte el compresor mientras esté conectado a la fuente de corriente eléctrica o cuando el tanque de aire esté lleno de aire comprimido. Asegure que el selector de presión indique apagado "OFF" antes de conectar la compresora a la corriente eléctrica.
7. **ALMACENAR EL COMPRESOR APROPIADAMENTE.**  
Cuando el compresor no esté en uso se debe de almacenar en lugar seco. Manténgalo fuera del alcance de los niños. Cierre el lugar de almacenamiento.
8. **MANTENGA EL ÁREA DE TRABAJO LIMPIO.**  
Da lugar a ser lesionado en áreas conglomeradas. Despejar toda área de trabajo, herramientas no necesarias, despojos, muebles, etc.
9. **TENGA EN CONSIDERACIÓN EL MEDIO AMBIENTE DE TRABAJO.**  
No exponga el compresor a lluvias. No lo utilice en lugares húmedos. Mantenga el área de trabajo bien iluminada y ventilada. No utilice el compresor cerca de líquidos, ni gases inflamables.  
El compresor produce chispas durante la operación.  
No utilice el compresor en lugares en donde haya laca, pintura, bencina, deluidor de pintura, gasolina, gases, compuestos adhesivos, ni materiales que sean combustibles o explosivos.
10. **MANTENGA A LOS NIÑOS ALEJADOS.**  
No permita que nadie entre en contacto con el cable prolongador. Los espectadores deberán mantenerse a distancia prudencial del área de trabajo.
11. **VESTIR ADECUADAMENTE.**  
No utilice ropa suelta ni joyas, ya que pueden atraparse en las partes en movimiento.  
Para contener el cabello largo, utilice cubiertas protectoras para cabello.
12. **NO MALTRATE EL CABLE.**  
Nunca tire del cable para desenchufarlo de la fuente de corriente eléctrica. Mantenga el cable alejado de calor, aceites, y bordes cortantes.
13. **MANTENGA EL COMPRESOR CON CUIDADO.**  
Siga las instrucciones para lubricación.  
Periódicamente inspeccione el cable, y si halla daños, llevar o enviar al centro de servicios autorizado para ser reparado. Inspeccione periódicamente los cables prolongadores y si están dañados, reemplácelos.
14. **CABLES PROLONGADORES PARA EL USO EXTERIOR.**  
Cuando la compresora esté en uso exteriormente, use solamente cable de extensión designado para el uso al aire libre (exterior) así descrita en su etiqueta.
15. **MANTENGA ALERTA.**  
Mire siempre lo que esté haciendo.  
Utilice el sentido común. No use el compresor cuando se encuentra en estado de cansancio. Nunca utilice el compresor si se encuentra bajo la influencia del alcohol, drogas, o medicamentos que le produzcan somnolencia.



**16. COMPRUEBE SI HAY PIEZAS DAÑADAS O FUGAS DE AIRE.**

Antes de utilizar el compresor, compruebe cuidadosamente si hay algún protector u otra pieza dañada a fin de determinar si puede funcionar adecuadamente y realizar la función pretendida. Compruebe la alineación de las piezas móviles, si presenta ataduras o roturas, el estado del montaje, fuga de aire, o cualquier otra condición que pueda afectar la operación del compresor. Cualquier guarda protectora o pieza en mal estado se deberá reparar o reemplazar adecuadamente en un centro de servicio autorizado, a menos que se indique otra cosa en este Manual de Instrucciones. Tenga el circuito de presión defectuoso reemplazado por un centro de servicio autorizado.

No utilice el compresor si su circuito de inicio de marcha o de apagar (ON and OFF switch) no funcione.

**17. NUNCA UTILICE EL COMPRESOR PARA APLICACIONES QUE NO SEAN LAS ESPECIFICADAS.**

Nunca utilice el compresor para aplicaciones que no sean las especificadas en este Manual de Instrucciones.

**18. UTILICE CORRECTAMENTE EL COMPRESOR.**

Utilice el compresor de acuerdo con las instrucciones proveído aquí. Nunca permita que un niño, individuos no familiarizados con su operación, ni personas no autorizadas, usen el compresor.

**19. MANTENGA TODOS LOS TORNILLOS, PERNOS, Y CUBIERTAS FIRMEAMENTE APRETADOS.**

Mantenga todos los tornillos, pemos, y cubiertas bien apretadas. Verificar periódicamente sus condiciones.

**20. MANTENGA EL RESPIRADERO DEL MOTOR LIMPIO.**

El respirador del motor deberá mantenerse limpio para que el aire pueda circular libremente en todo momento. Verificar con frecuencia si existen acumulación de polvo.

**21. OPERAR EL COMPRESOR AL VOLTAJE ESPECIFICADO.**

Operar la compresor al voltaje especificado en su etiqueta. Si el compresor está en uso a un voltaje mayor que el voltaje especificado, resultaria en la anormal rápida revolución del motor, y pudiera producir daños a la unidad y quemar el motor.

**22. NUNCA UTILICE UN COMPRESOR DEFECTUOSO O QUE FUNCIONE ANORMALMENTE.**

Si el compresor parece funcionar de manera inusualmente emite ruidos extraños, o de otra que aparente defectuoso deje de utilizar inmediatamente y que sea reparado en un centro de servicio autorizado Hitachi.

**23. NO FROTAS LAS PARTES DE PLÁSTICO CON DISOLVENTES.**

Los disolventes, como gasolina, diluidor de pintura, bencina, tetracloruro de carbono, y alcohol pueden dañar y rajar las partes de plástico. No las limpie con tales disolventes. Limpie las partes plástico con un paño suave ligeramente humedecido en agua jabonosa y séquelas bien.

**24. UTILICE SOLAMENTE PIEZAS DE REEMPLAZO GENUINAS DE HITACHI.**

Las piezas de reemplazo no fabricadas por Hitachi puede anular la garantía, provocar el mal funcionamiento, y resultar en lesiones. Su proveedor dispone de piezas genuinas de Hitachi.

**25. NO MODIFIQUE EL COMPRESOR.**

No modifique el compresor. Para todas las reparaciones, siempre póngase en contacto con un centro de reparaciones autorizado por Hitachi. Modificaciones no autorizadas, no solamente dañaría el rendimiento del compresor, sino que podría resultar en accidentes o lesiones al personal que no tenga la experiencia técnica requerida para realizar correctamente las operaciones de reparación.

**26. COLOQUE EL DISYUNTOR NEUMÁTICO A ("OFF") APAGADO CUANDO EL COMPRESOR NO ESTE EN USO.**

Cuando no vaya a utilizar el compresor, ponga el mando del disyuntor neumático en OFF, desconéctelo de la fuente de electricidad, y abra el grifo de drenaje para descargar el aire comprimido del tanque de aire.

**27. NUNCA TOQUE LAS SUPERFICIES CALIENTES.**

Para reducir el riesgo de quemaduras, no toque los tubos, la culata del cilindro, los cilindros, ni el motor.

**28. NO DIRIJA EL CHORRO DE AIRE HACIA EL CUERPO.**

No dirigir la presión de aire hacia el cuerpo. No dirigir la presión de aire a personas o animales porque corre el riesgo de lesionar.

**29. DRENE EL TANQUE DE DEPÓSITO.**

Drene diariamente el depósito después de 4 horas de uso. Abre el grifo de drenaje e incline el compresor para vaciar el agua acumulada.

**30. NO PARE EL COMPRESOR TIRANDO DEL ENCHUFE.**

Utilice el mando "AUTO/OFF" del disyuntor neumático.

**31. UTILICE SOLAMENTE LAS PIEZAS DE MANEJO DE AIRE ACEPTABLES PARA UNA RPESIÓN NO INFERIOR A 125 PSI (8,6 BARIAS).**

Riesgo de explosion. Utilice solamente las piezas de manejo de aire aceptables para presiones no inferiores a 125 psi (8,6 baries).

---

## PIEZAS DE REEMPLAZO

---

Para reparación, utilice solamente piezas de reemplazo idénticas.

Las reparaciones deberán realizarse solamente por un centro de servicio autorizado por Hitachi.

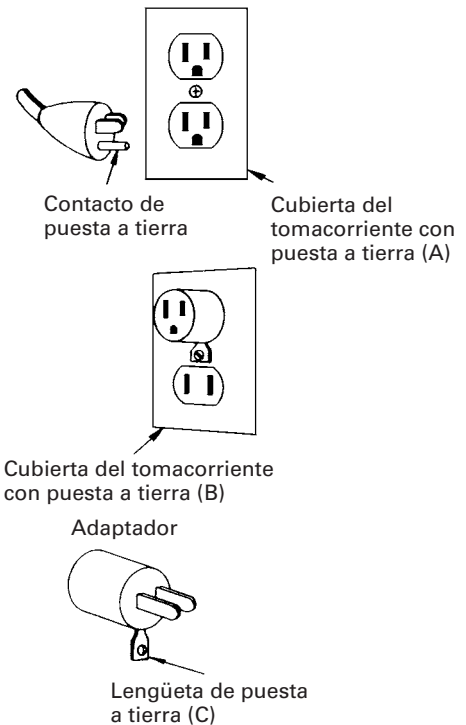
# SEGURIDAD – Continuación

## INSTRUCCIONES PARA LA PUESTA A TIERRA

Este compresor debe conectarse a tierra mientras esté en uso para proteger al operador de choques eléctricos. El compresor está equipado con un cable de tres conductores, y enchufe de tres terminales para encajar en un tomacorriente de tipo puesta a tierra. El conductor verde (o verde y amarillo) del cable es la puesta a tierra. Nunca conecte el conductor verde (o verde y amarillo) a un terminal activo. Si su unidad es para utilizarse con menos de 150 voltios, tendrá un enchufe como el mostrado en la ilustración (A) la tomacorrientes de dos contactos, existen adaptadores [C], e ilustrado en (B). La lengüeta rígida, el contacto, o el conductor de color verde del adaptador deberá conectarse a tierra permanente, como en el caso de un tomacorrientes adecuadamente puesto a tierra.

**Nota:** El adaptador para puesta a tierra [C] está prohibido en Canadá por Código eléctrico canadiense, Parte 1. Por lo tanto, las instrucciones para su utilización no se aplican en Canadá.

Le recomendamos que nunca desarme el compresor ni trate de cambiar el sistema eléctrico. Cualquier reparación deberá ser realizada solamente por centros de servicio autorizados por Hitachi u otras organizaciones de servicio cualificadas. Si decide reparar el compresor usted mismo, tenga en cuenta que el conductor de color verde es del "puesta a tierra". Nunca conecte este conductor verde a un terminal "activo". Si reemplaza el enchufe del cable de corriente, cerciorarse de conectar el conductor verde solamente al contacto de puesta a tierra (más largo) de un enchufe de 3 contactos. Si tiene dudas, llame a un electricista cualificado y haga que le compruebe la puesta del tomacorriente.



## CABLE PROLONGADOR

Utilice solamente cables prolongadores que posean enchufes y tomacorrientes de tres contactos con puesta a tierra que acepten el enchufe del cable del compresor. Reemplace o repare los cables dañados. Cerciórese de que el cable prolongador esté en buenas condiciones. Cuando utilice un cable prolongador, cerciódese de que posea el calibre suficiente para dar paso a la corriente que su producto necesita. Un cable de menor calibre causaría una caída en voltaje en la línea, lo que resultaría en pérdida de potencia y recalentamiento. En la tabla siguiente se muestra el calibre correcto a utilizar dependiendo de la longitud del cable y el amperaje indicado en la placa de características. En caso de alguna duda, utilice un cable de mayor calibre siguiente. Cuanto menor sea el número de calibre, más pesado es el cable.

### CALIBRE MÍNIMO PARA LOS CABLES

		Longitud total del cable en pies (Metros)			
		0 – 25 (0 – 7,6)	26 – 50 (7,9 – 15,2)	51 – 100 (15,5 – 30,5)	101 – 150 (30,8 – 45,7)
Más de	Amperaje	CALIBRE			
	No más de				
	0 – 6	18	16	16	14
	6 – 10	18	16	14	12
	10 – 12	16	16	14	12
	12 – 16	14	12	No recomendado	

**⚠️ ADVERTENCIA:** Evite el riesgo de choque eléctricos. No utilice nunca este compresor con un cable de eléctrico dañado o frágil, lo mismo es aplicable a un cable prolongador. Inspeccione regularmente los cables eléctricos. Nunca utilice el compresor en agua, ni cerca del agua, ni en un ambiente en que puedan producirse choques eléctricos.

**¡GUARDE ESTAS INSTRUCCIONES  
Y  
PÓNGALAS A DISPOSICIÓN DE OTROS USUARIOS DE  
ESTA HERRAMIENTA!**

# OPERACIÓN Y MANTENIMIENTO

## NOTA:

La información contenida en este Manual de Instrucciones ha sido diseñada para asistirle en la operación segura y mantenimiento del compresor.

Algunas ilustraciones de este Manual de Instrucciones pueden mostrar detalles o accesorios que posiblemente sean diferentes a los de su compresor.

## NOMENCLATURA

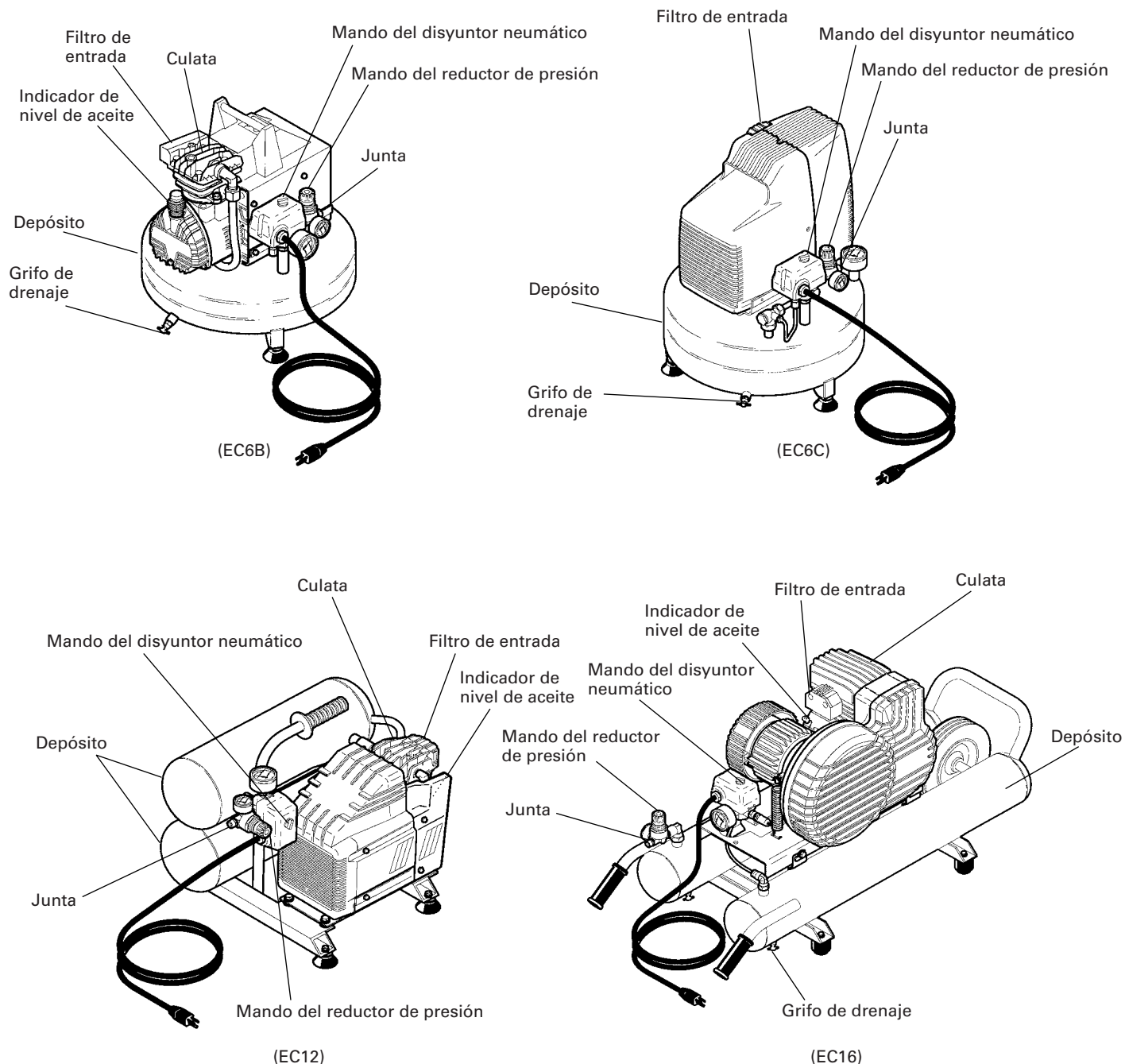


Fig. 1

## ESPECIFICACIONES

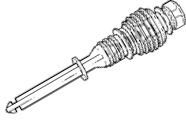
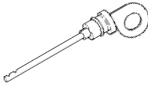
Modelo	EC6B	EC6C	EC12	EC16
Motor	Motor de inducción, monofásico			
Fuente de energía	115 V CA, 60 Hz, monofásica			
Entrada	1 CV (0,75 KW)	1 CV (0,75 KW)	2 CV (1,49 KW)	2 1/2 CV (1,87 KW)
Corriente	7,8A	10,05A	13,5A	13,5A
Capacidad del depósito	3,3 galones (12,5 litros)	3,3 galones (12,5 litros)	4 galones (15,1 litros)	5 galones (18,9 litros)
Presión máxima	125 PSI (8,6 barías)	125 PSI (8,6 barías)	125 PSI (8,6 barías)	145 PSI (10,0 barías)
Distribución de aire libre	à 40 PSI (2,8 barías)	3,2 CFM (91 litros/min)	3,0 CFM (85 litros/min)	4,2 CFM (119 litros/min)
	à 90 PSI (6,2 barías)	2,5 CFM (71 litros/min)	2,4 CFM (68 litros/min)	4,1 CFM (116 litros/min)
	à 100 PSI (6,9 barías)	2,4 CFM (68 litros/min)	2,4 CFM (68 litros/min)	4,7 CFM (133 litros/min)
Lubricación	Aceite	Sin aceite	Aceite	Aceite

## ACCESORIOS

### ⚠ ADVERTENCIA

- Accesorios que no son mostrados aquí pueden conducir al mal funcionamiento y resultar en lesiones.

### ACCESORIOS ESTANDARD

EC6B EC12		Indicador de nivel de aceite ----- 1
EC16		Indicador de nivel de aceite ----- 1
EC6C	Sin accesorios	

## APLICACIONES

- Fuente de aire para martillo o grapador neumático.

## ANTES DE LA OPERACIÓN

### 1. Fuente de energía

Ceróiese de que la fuente de energía utilizada esté de acuerdo con los requisitos de alimentación especificados en la placa de características del producto.

### 2. Interruptor de energía

Ceróiese de que el mando del disyuntor neumático esté en la posición "OFF". Si inserta el enchufe a un tomacorriente con el mando en la posición "AUTO", el compresor comienza inmediatamente a funcionar y podría causar lesiones serias.

### 3. Cable prolongador

Cuando el área de trabajo esté alejada de la fuente de energía, utilice un cable prolongador de calibre y capacidad nominal suficientes (consulte la página 26). El cable prolongador deberá mantenerse lo más corto posible.

**⚠ ADVERTENCIA:** Si el cable está dañado deberá reemplazar o repararlo.

### 4. Confirmación del tomacorriente

Si el tomacorriente solo acepta el enchufe de forma floja, el receptáculo debe ser reparado. Póngase en contacto con un taller eléctrico para servicio de reparación. Si tal receptáculo dañado es usado, podría causar recalentamiento resultando en serio peligro.

### 5. Inserción del indicador y comprobación de nivel de aceite

(Si su compresor es EC6C, no será necesario este paso.)

Utilice un destornillador u otra herramienta similar para quitar el tapón de plástico de la parte inferior del cilindro (Fig. 2).

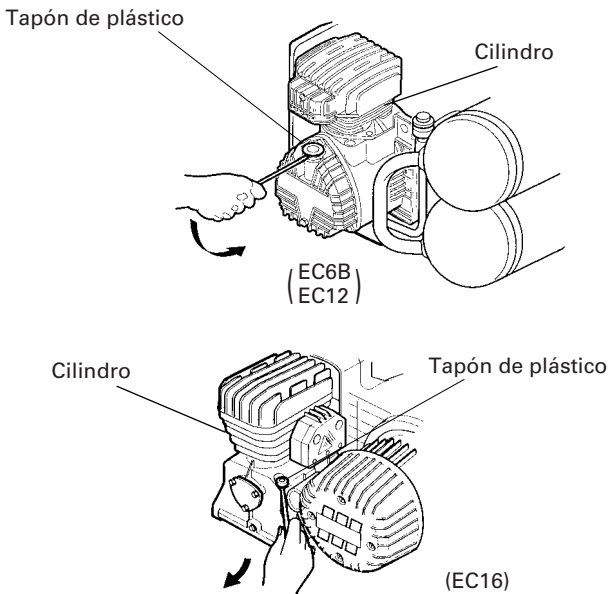


Fig. 2

Inserta el indicador de nivel de aceite hasta el fondo. Extraiga el indicador de nivel de aceite y compruebe si el nivel de aceite está dentro del margen de las muescas del indicador (Fig. 3).

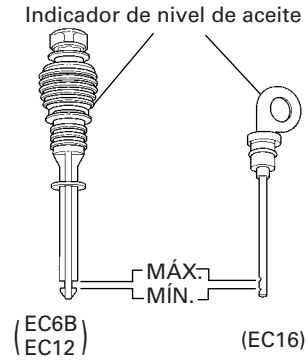


Fig. 3

Cuando el nivel del aceite es insuficiente, consulte la sección de "Cambio-llenado de aceite" de la página 32 para informarse de la forma de suministrar aceite.

### 6. Instalación del acoplador de aire

Atornille el acoplador de aire en la junta. (Consulte la Fig. 1 y la Fig. 4.) El diámetro de la entrada de la junta es de 3/8". Utilice un acoplador de aire que posea el mismo diámetro de entradas.

## OPERACIÓN

### 1. Puesta en funcionamiento

Inserte el enchufe en un receptáculo y ponga en funcionamiento el compresor girando el mando del disyuntor neumático hasta "AUTO". (Consulte la Fig. 1 y la Fig. 4.)

**⚠ ADVERTENCIA:** No pare ni ponga en funcionamiento el compresor utilizando el enchufe. Utilice siempre el mando "AUTO/OFF" del disyuntor neumático.

La operación del compresor es automática y su control es mediante el disyuntor neumático que lo apaga cuando la presión del depósito de aire alcanza el nivel máximo, y lo vuelve a poner en funcionamiento cuando la presión de aire disminuye durante su uso recargando al nivel inicial. El motor del compresor dispone de un dispositivo de protección térmica dentro de la envoltura, que detiene el compresor cuando la temperatura es demasiado alta. Cuando este dispositivo se dispara el compresor volverá a ponerse automáticamente después de 15 - 20 minutos.

### 2. Ajuste la presión de trabajo

Desenganche el mando del reductor de presión tirando de él hacia arriba, y ajuste la presión hasta el nivel requerido girándolo hacia la derecha para aumentar y hacia la izquierda para reducirla. Existe un manómetro para saber cuando se ha alcanzado la presión requerida. Cierre el mando empujándolo firmemente hacia abajo (Fig. 4).

**⚠ ADVERTENCIA:** Compruebe la presión máxima indicada por el fabricante del martillo, o grapador, y los accesorios neumáticos. La presión de salida del compresor deberá regularse de forma que la presión máxima indicado por el fabricante del martillo, el grapador y los accesorios, nunca aplicarse excede de presión.

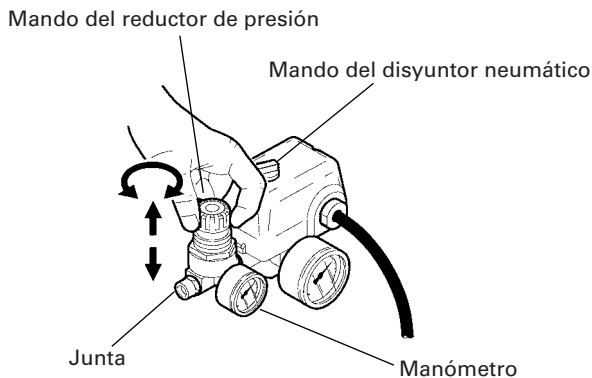


Fig. 4

### 3. Cierre

- (1) Gire el mando del disyuntor neumático hasta la posición "OFF" (Fig. 1).
- (2) Desconecte el enchufe del tomacorriente.
- (3) Abra el grifo de drenaje situado en la parte inferior del depósito (Fig. 5).

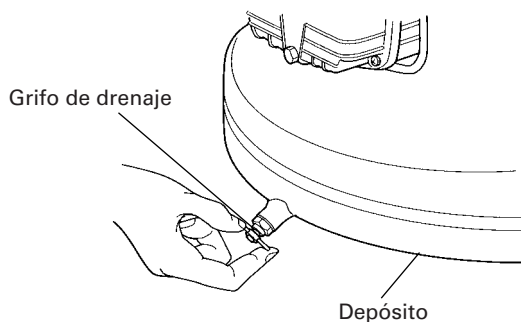


Fig. 5

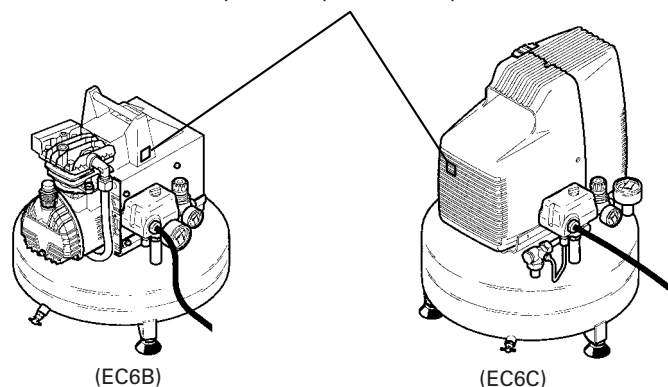
### 4. Acerca del protector térmico

( Este ítem no será necesario si su compresor no dispone del interruptor de reposición del protector térmico mostrado en la Fig. 6. )

El protector térmico funciona para parar cuando ocurra algún problema, como sobrecarga del motor, etc. Si el motor se para durante la operación, realice lo siguiente.

- (1) Ponga la perilla del interruptor de presión en la posición OFF (Fig. 1) y desconecte el enchufe del tomacorriente.
- (2) Si el cable prolongador no cumple las especificaciones ofrecidas en la página 26, reemplácelo por otro como el mostrado en la página 26. Si la capacidad de la fuente de alimentación es insuficiente, aumentela para eliminar la causa de un flujo excesivo de corriente (sobrecorriente).
- (3) Espere aproximadamente 5 minutos, y después presione el interruptor de reposición del protector térmico (Fig. 6).
- (4) Ponga la herramienta en marcha. Si el motor se para durante la operación, póngase en contacto con un centro de reparaciones.

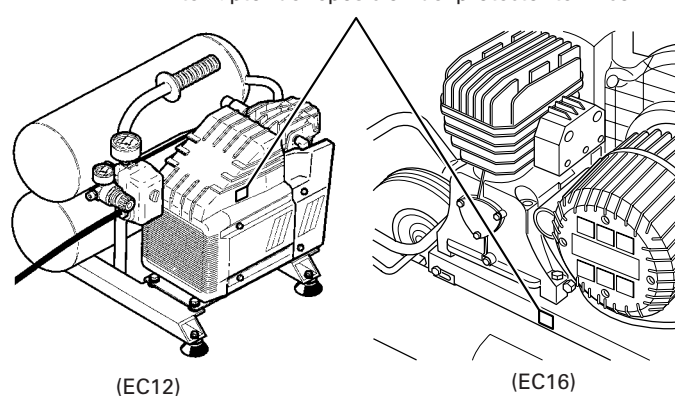
Interruptor de reposición del protector térmico



(EC6B)

(EC6C)

Interruptor de reposición del protector térmico



(EC12)

(EC16)

Fig. 6

## MANTENIMIENTO

**⚠ ADVERTENCIA:** Antes de realizar las operaciones de mantenimiento, desconecte el compresor de la fuente de alimentación y vacíe el aire comprimido del depósito de aire.

### 1. Limpieza del filtro de entrada

Quite el filtro de entrada (consulte la Fig. 1) cada 50 horas, o una vez a la semana, y limpie el interior del mismo y de su elemento con aire comprimido (Fig. 7). Utilice un destornillador Philips para desmontar el filtro de entrada de los modelos EC6B, EC6C, y EC12. Utilice una llave Allen para desmontar el filtro del modelo EC16.

**⚠ ADVERTENCIA:** No limpie nunca el elemento del filtro con un líquido inflamable ni con disolvente.



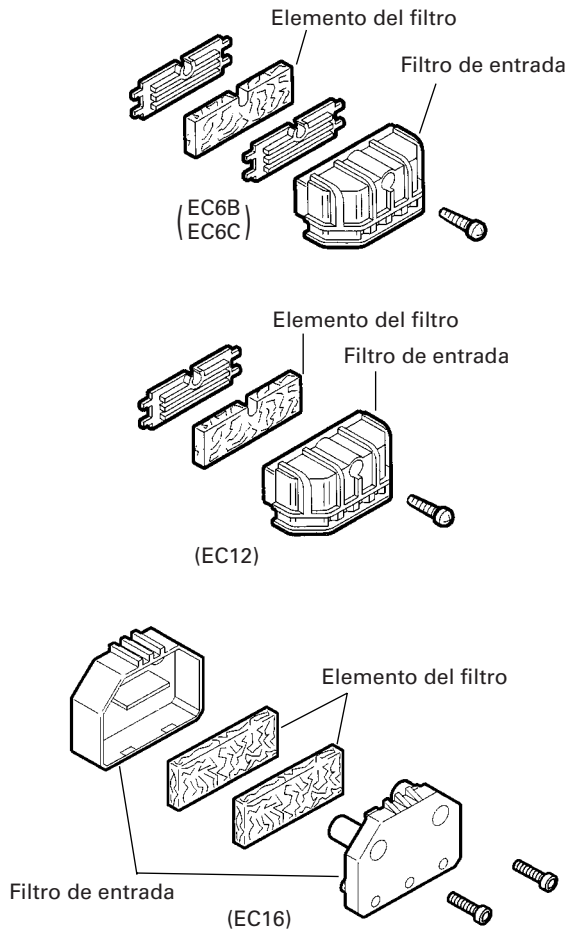


Fig. 7

**NOTA:**

Cuando el elemento del filtro se haya ensuciado, reemplácelo.

**2. Drenaje del depósito**

Drene el depósito diariamente, o después de 4 horas de utilización. Abra el grifo de drenaje e incline el compresor para vaciar el agua acumulada (Fig. 5).

**3. Cambio-rellenado de aceite**

(Solamente para el: EC6B, EC12, y EC16)

(1) Antes de las primeras 50 horas de operación, reemplace completamente el aceite del elemento de la bomba. Afloje el tapón de drenaje del aceite de la cubierta del compresor, drene todo el aceite, y atornille otra vez el tapón. (Fig. 8)

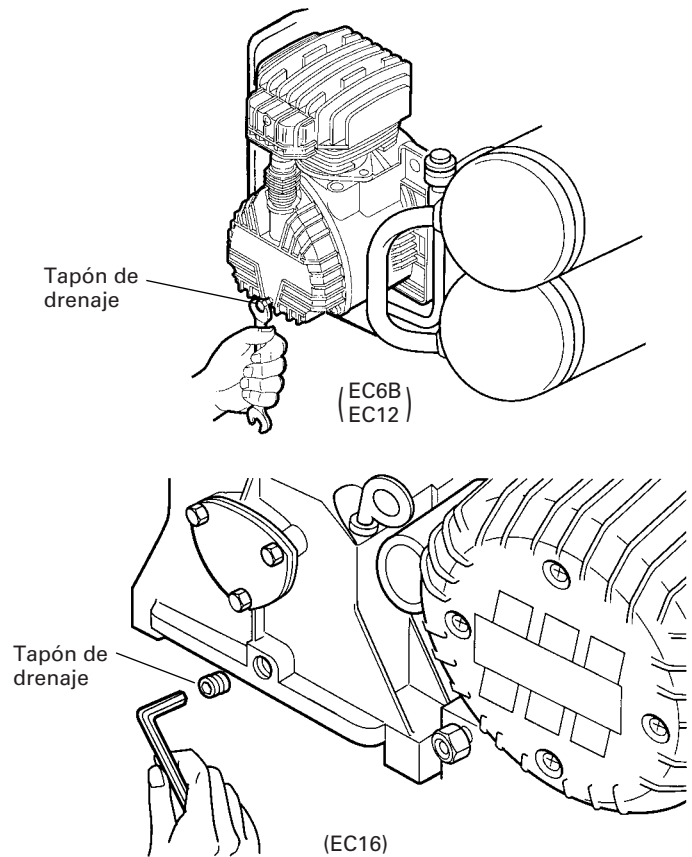


Fig. 8

Introduzca aceite a través del orificio del indicador de nivel de aceite hasta el nivel indicado en el mismo. (Fig. 3)

Con respecto al aceite de reemplazo, consulte la tabla siguiente.

**TIPO DE ACEITE**

**ACEITE SINTÉTICO SAE 5W50 (-20° +120°F)**

Para utilización tanto en verano como en invierno.

**ACEITE MULTIGRADO SAE 10W40 (+50° +120°F)**

Para utilización en climas cálidos solamente.

- (2) Compruebe el nivel del aceite del elemento de la bomba cada 50 horas de utilización o una vez a la semana.
- (3) Cambie el aceite cada 300 horas de funcionamiento o cada 6 meses.

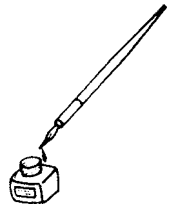
**SERVICIO Y REPARACIONES**

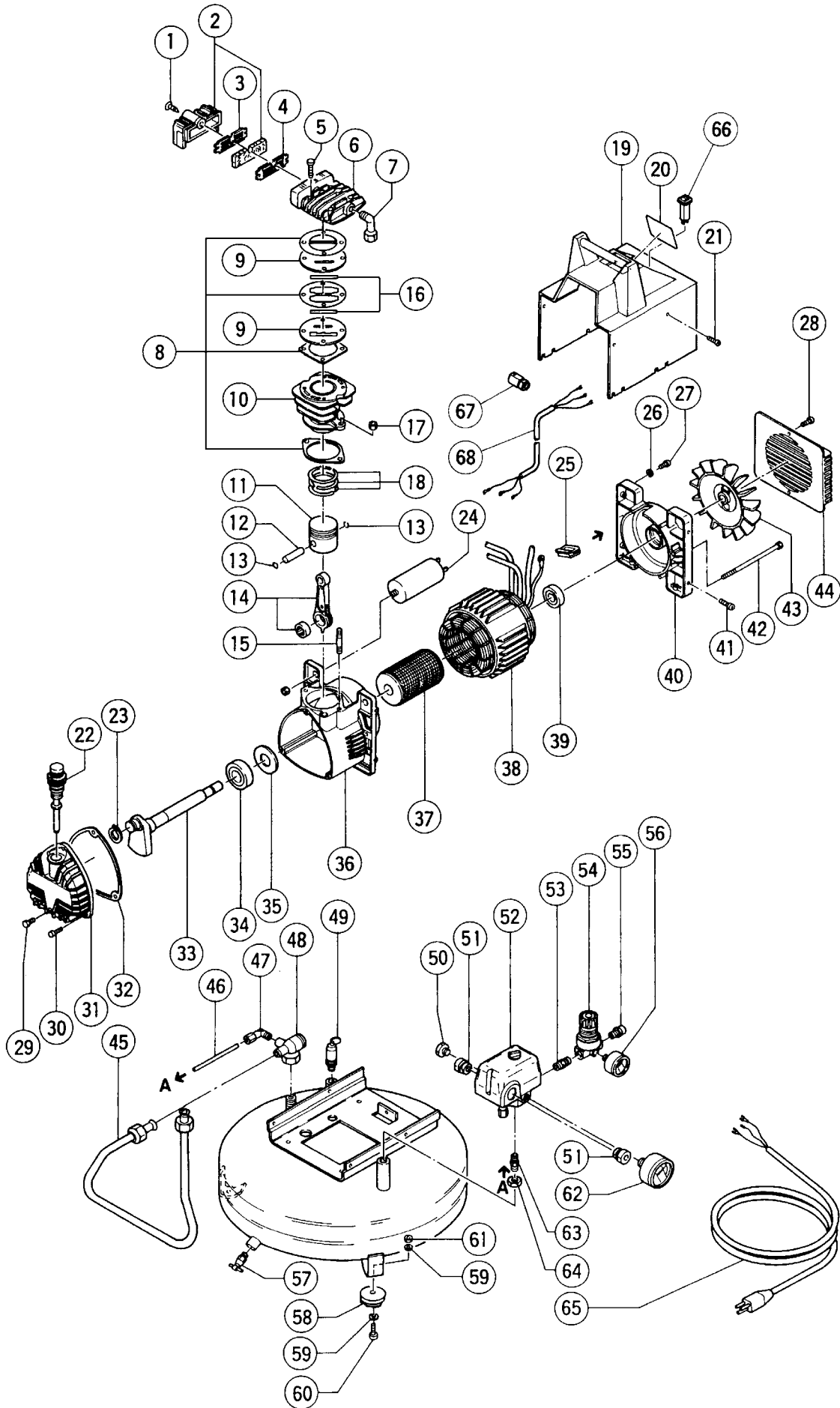
Todos los compresores de calidad requerirán alguna vez servicio de mantenimiento o de reparación de piezas debido al desgaste normal. Para asegurar que solamente se utilicen piezas de reemplazo autorizadas, todos los trabajos de servicio y reparación deberán realizarse **SOLAMENTE EN UN CENTRO DE SERVICIO AUTORIZADO POR HITACHI.**

**NOTA:**

Las especificaciones están sujetas a cambio sin ninguna obligación por parte de HITACHI.





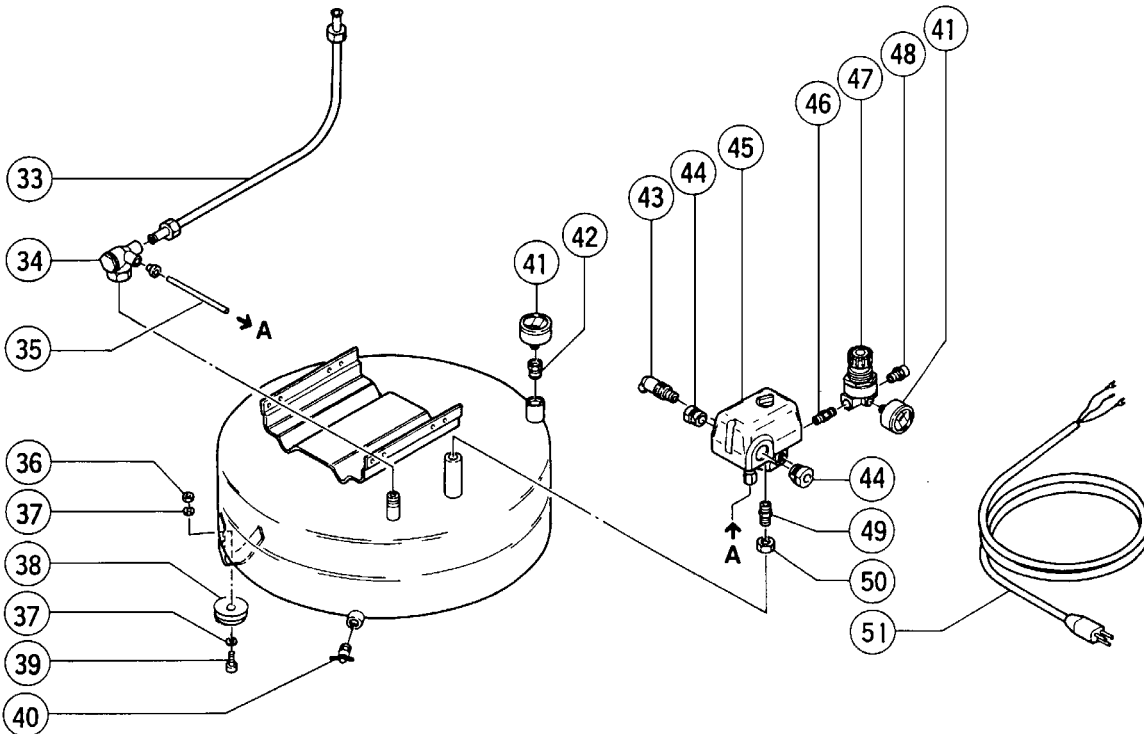
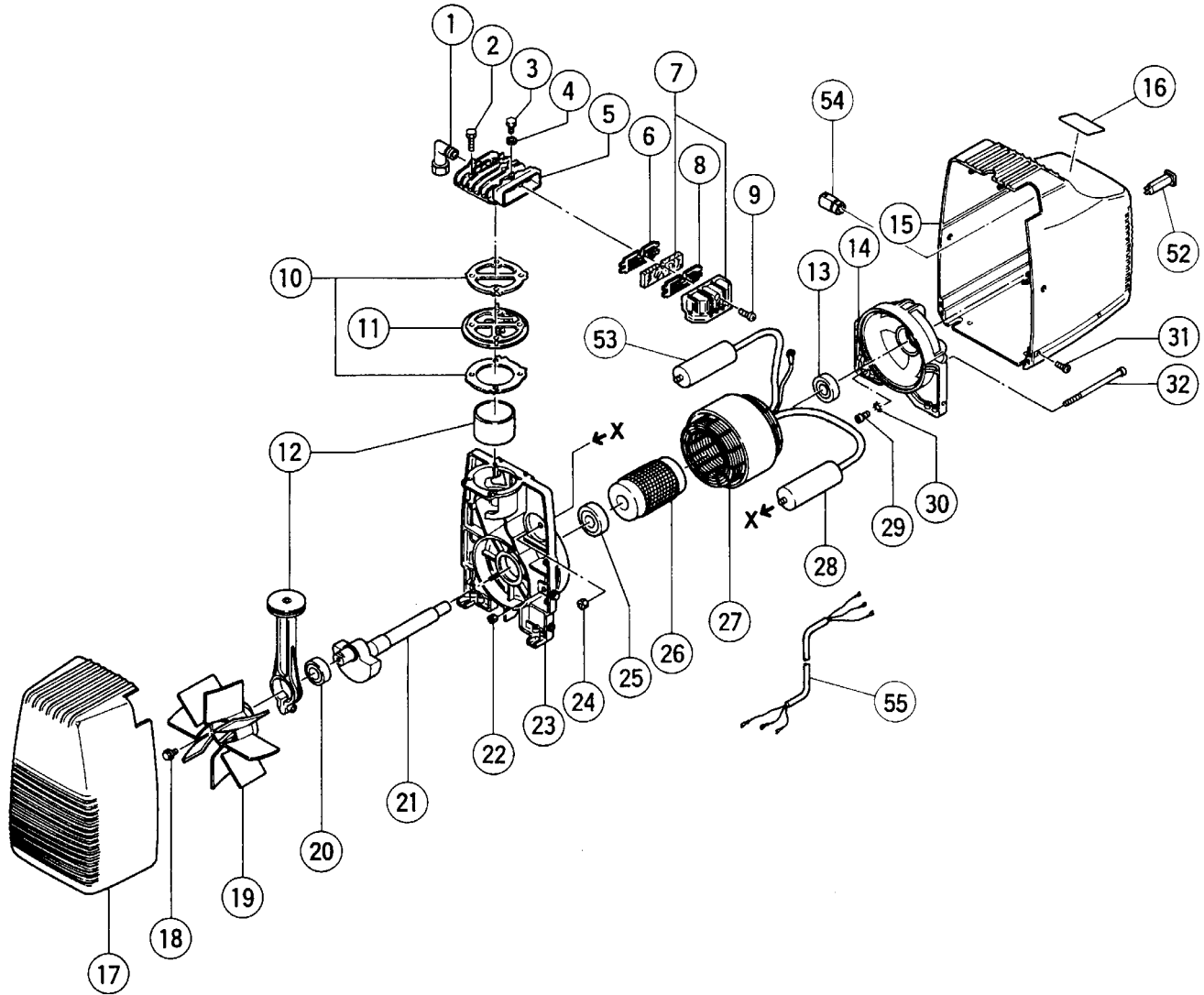


## EC6B

Item No.	Code No.	Part Name	Q'ty	Code No. (OLD)	Reference No.
1	881-450	Screw	1	160060	7012010000
2	881-451	Intake filter	1	160303	4085020000
3	881-452	Filter plate	1	160301	7458680000
4	881-453	Filter plate	1	160300	7458340000
5	881-454	Screw	4	160054	7011290000
6	881-456	Head	1	160122	7570550000
7	881-455	Joint	1	160518	7084080000
8	881-457	Set of gasket	1	160106	4082010000
9	881-458	Valve plate	2	160131	7458020000
10	881-459	Cylinder	1	160141	7575130000
11	881-461	Piston	1	160150	7220010000
12	881-462	Piston pin	1	160154	7050010000
13	881-463	Ring	2	160409	7041010000
14	881-464	Conrod unit	1	160145	4190060000
15	881-465	Stud bolt	2	160078	7015020000
16	881-490	Set of valve	1	160133	4081010000
17	881-489	Nut	2	160003	7020070000
18	881-460	Piston rings	1	160157	4080010000
19	881-519	Housing (For U.S.A)	1	160321	7150451000
	881-491	Housing (For CANADA)	1	———	7150450000
20	———	Nameplate	1	———	———
21	881-492	Screw	4	160062	7012060000
22	881-469	Dipstick	1	160528	7181060000
23	881-468	Seeger	1	160540	7040040000
24	881-488	Capacitor (For U.S.A)	1	160170	7310140000
	881-515	Capacitor (For CANADA)	1	———	7310430000
25	881-487	Chock	1	160401	7500030000
26	881-485	Washer	1	160026	7031020000
27	881-484	Screw	1	160063	7012070000
28	881-482	Screw	1	160061	7012020000
29	881-471	Screw	1	160057	7011460000
30	881-472	Screw	3	160066	7012100000
31	881-470	Carter cover	1	160223	7650020000
32	881-473	Gasket	1	160100	7078460000
33	881-467	Crank shaft	1	160270	5040010008
34	881-466	Ball bearing	1	160202	7060060000
35	881-474	Smim ring	1	160412	7071020000
36	881-475	Carter	1	160221	5070190008
37	881-476	Rotor (For U.S.A)	1	160330	5090030008
	881-563	Rotor (For CANADA)	1	———	5090300008
38	881-477	Motor casing (For U.S.A)	1	160180	4010550000
	881-514	Motor casing (For CANADA)	1	———	4011570000
39	881-478	Ball bearing	1	160201	7060010000
40	881-486	Cover	1	160250	5110060008
41	881-479	Screw	4	160065	7012090000
42	881-480	Tension rod	2	160352	7018010000
43	881-483	Fan	1	160291	7200010000
44	881-481	Protection	1	160406	7248010000
45	881-497	Infeed tube	1	———	4084990000

Item No.	Code No.	Part Name	Q'ty	Code No. (OLD)	Reference No.
46	881-495	Tube	1	———	7230010000
47	881-495	Joint	1	160515	7082680000
48	881-494	Non return valve	1	160527	7190040000
49	881-493	Safety valve	1	160546	7192270000
50	881-563	Plug	1	160530	7090070000
51	881-507	Stretch eliminator	2	160549	7501100000
52	881-512	Pressure switch	1	160537	7250300000
53	881-511	Joint	1	160513	7081090000
54	881-510	Pressure reducer	1	160536	7100120000
55	881-509	Joint	1	160523	7085790000
56	881-508	Pressure gauge	1	160533	7110010000
57	881-498	Discharge tap	1	160503	7130280000
58	881-577	Rubber	3	160542	7360140000
59	881-500	Washer	6	160020	7030010000
60	881-499	Screw	3	160072	7014020000
61	881-502	Nut	3	160001	7020050000
62	881-506	Pressure gauge	1	160534	7110020000
63	881-505	Joint	1	160514	7081140000
64	881-504	Blocking nut	1	160004	7023040000
65	881-503	Infeed cable	1	160502	7328620000
66	881-516	Thermal Protector (For CANADA)	1	———	7410270000
67	881-517	Stretch Eliminator (For CANADA)	1	———	7501050000
68	881-518	Electric Cable (For CANADA)	1	———	7329950000

Parts are subject to change without any obligation on the part of the HITACHI due to improvements.

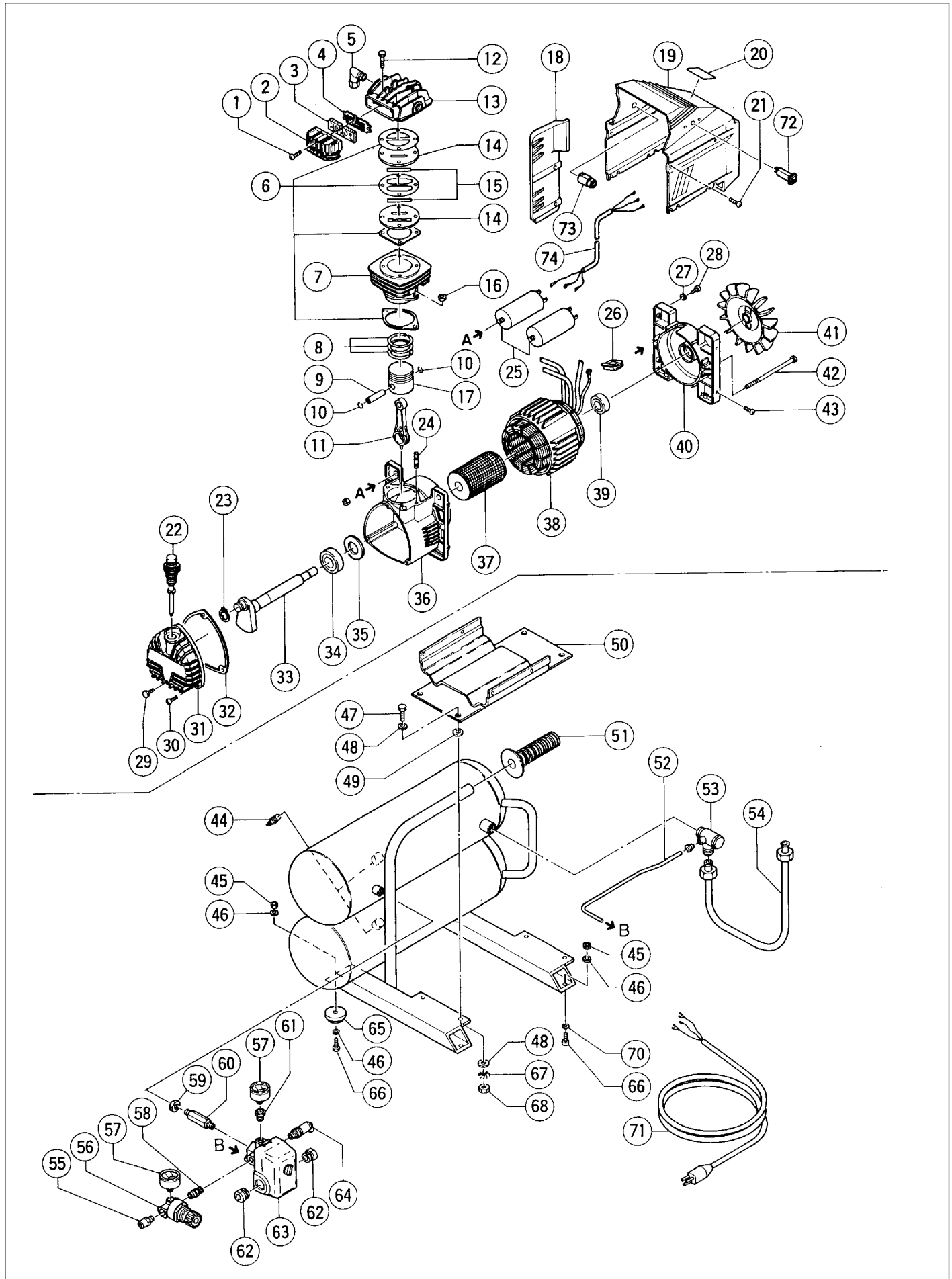


EC6C

Item No.	Code No.	Part Name	Q'ty	Code No. (OLD)	Reference No.
1	881-455	Joint	1	160518	7084080000
2	881-392	Screw	4	160059	7011880000
3	881-415	Screw	1	160073	7014300000
4	881-414	Washer	1	160025	7030780000
5	881-456	Head	1	160122	7570550000
6	881-453	Filter plate	1	160300	7458340000
7	881-413	Intake filter	1	160304	4085110000
8	881-452	Filter plate	1	160301	7458680000
9	881-412	Screw	1	160067	7012120000
10	881-393	Set of gasket	1	160109	4082610000
11	881-394	Monoplate	1	160404	4200030000
12	881-396	Conrod - Cylinder kit	1	160142	4190270000
13	881-478	Ball bearing	1	160201	7060010000
14	881-409	Cover	1	160252	7640100000
15	881-411	Motor housing	1	160323	7150580000
16	———	Nameplate	1	———	———
17	881-398	Compressor housing	1	160322	7150590000
18	881-399	Screw	1	160050	7011040000
19	881-397	Fan	1	160290	4085080000
20	881-395	Ball bearing	1	160200	4085070000
21	881-400	Crank shaft	1	160272	5040700008
22	881-401	Nut	2	160005	7021010000
23	881-402	Carter	1	160222	7670040000
24	881-403	Nut for capacitor	1	160003	7020070000
25	881-404	Ball bearing	1	160204	7060280000
26	881-405	Rotor	1	160331	5090040008
27	881-406	Stator (For U.S.A)	1	160181	4012250000
	881-422	Stator (For CANADA)	1	———	4012000000
28	881-407	Capacitor (For U.S.A)	1	160171	7310360000
	881-515	Capacitor (For CANADA)	1	———	7310430000
29	881-484	Screw	1	160063	7012070000
30	881-408	Toothed washer	1	160026	7031020000
31	881-410	Screw	4	160071	7012290000
32	881-480	Tension rod	2	160352	7018010000
33	881-416	Infeed tube	1	160508	7235780000
34	881-494	Non return valve	1	160527	7190040000
35	881-496	Tube	1	———	7230010000
36	881-418	Nut	4	160002	7020060000
37	881-419	Washer	8	160021	7030020000
38	881-577	Rubber	4	160542	7360140000
39	881-399	Screw	4	160050	7011040000
40	881-498	Discharge tap	1	160503	7130280000
41	881-508	Pressure gauge	2	160533	7110010000
42	881-421	Joint	1	160524	7085800000
43	881-493	Safety valve	1	160546	7192270000
44	881-507	Stretch eliminator	2	160549	7501100000
45	881-512	Pressure switch	1	160537	7250300000
46	881-511	Joint	1	160513	7081090000
47	881-510	Pressure reducer	1	160536	7100120000

Item No.	Code No.	Part Name	Q'ty	Code No. (OLD)	Reference No.
48	881-509	Joint	1	160523	7085790000
49	881-505	Joint	1	160514	7081140000
50	881-504	Blocking nut	1	160004	7023040000
51	881-503	Infeed cable	1	160502	7328620000
52	881-423	Thermal Protector (For CANADA)	1	———	7410470000
53	881-424	Capacitor (For CANADA)	1	———	7311010000
54	881-517	Stretch Eliminator (For CANADA)	1	———	7501050000
55	881-518	Electric Cable (For CANADA)	1	———	7329950000

Parts are subject to change without any obligation on the part of the HITACHI due to improvements.

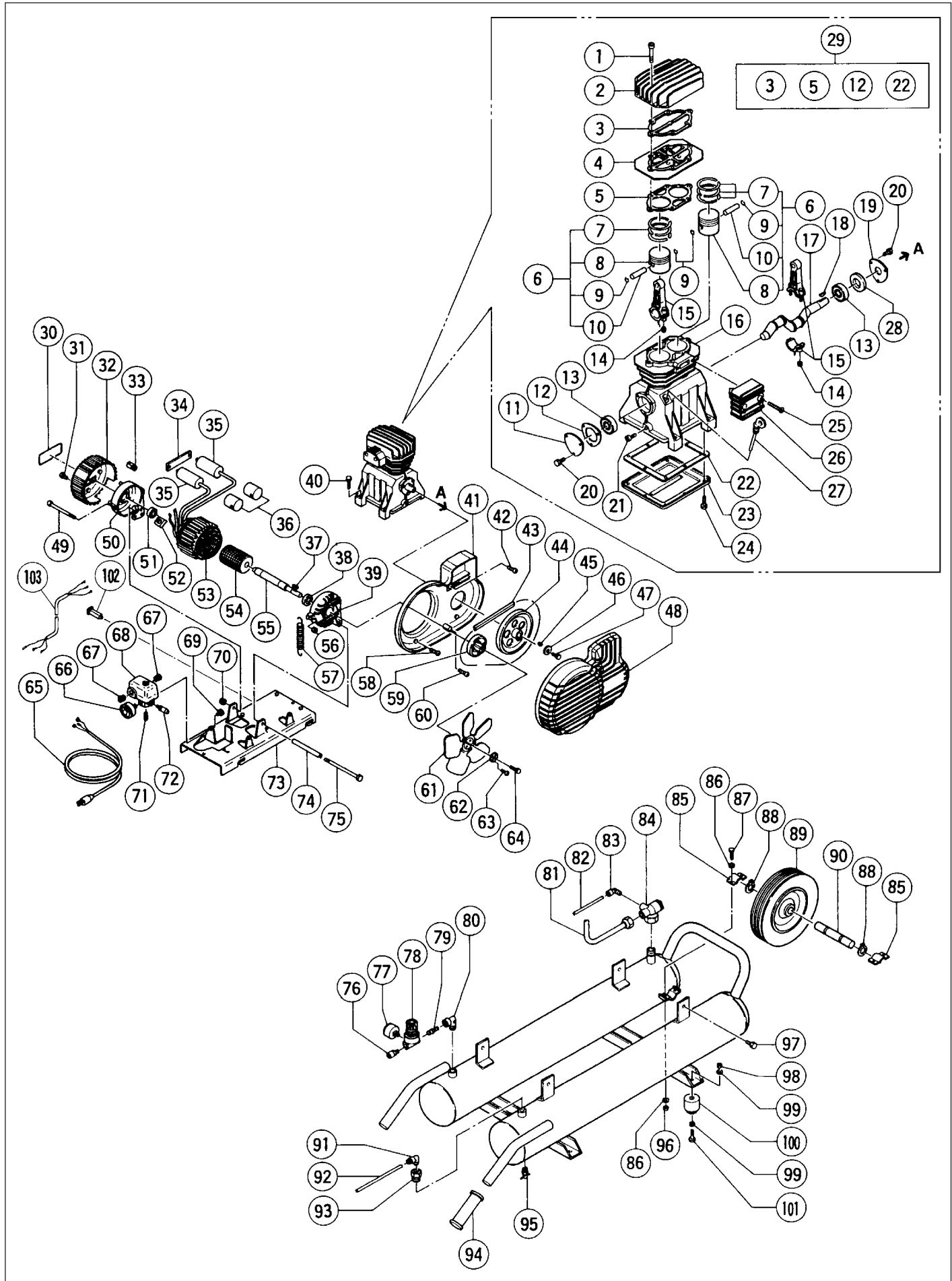


EC12

Item No.	Code No.	Part Name	Q'ty	Code No. (OLD)	Reference No.
1	881-412	Screw	1	160067	7012120000
2	881-554	Intake filter	1	160306	7210430000
3	881-553	Filtering element	1	160302	7210010000
4	881-453	Filter plate	1	160300	7458340000
5	881-552	Joint	1	160517	7084040000
6	881-555	Set of gasket	1	160107	4082200000
7	881-558	Cylinder	1	160140	7575060000
8	881-559	Piston rings	1	160158	4080020000
9	881-560	Piston pin	1	160155	7050020000
10	881-463	Ring	2	160409	7041010000
11	881-561	Con rod	1	160144	5050150008
12	881-551	Screw	4	160053	7011220000
13	881-550	Head	1	160120	5030110008
14	881-556	Valve plate	2	160132	7458370000
15	881-557	Set of valve	1	160134	4081050000
16	881-489	Nut	2	160003	7020070000
17	881-567	Piston	1	160151	7220020000
18	881-569	Pipe protection	1	————	7154120000
19	881-568	Housing (For U.S.A)	1	160320	7150421000
	881-587	Housing (For CANADA)	1	————	7150791000
20	————	Nameplate	1	————	————
21	881-492	Screw	4	160064	7012060000
22	881-469	Dipstick	1	160528	7181060000
23	881-468	Seeger	1	160540	7040040000
24	881-566	Stud bolt	2	160078	7015020000
25	881-488	Capacitor (For U.S.A)	2	160170	7310140000
	881-515	Capacitor (For CANADA)	2	————	7310430000
26	881-487	Chock	1	160401	7500030000
27	881-485	Washer	1	160026	7031020000
28	881-484	Screw	1	160063	7012070000
29	881-471	Screw	1	160057	7011460000
30	881-472	Screw	3	160066	7012100000
31	881-470	Carter cover	1	160223	7650020000
32	881-473	Gasket	1	160101	7078460000
33	881-562	Crank shaft (For U.S.A)	1	160271	5040450008
	881-584	Crank shaft (For CANADA)	1	————	5040630008
34	881-466	Ball bearing	1	160203	7060060000
35	881-474	Smim ring	1	160412	7071020000
36	881-475	Carter	1	160221	5070190008
37	881-563	Rotor (For U.S.A)	1	160332	5090300008
	881-585	Rotor (For CANADA)	1	————	5090310008
38	881-564	Motor casing (For U.S.A)	1	160183	4011300000
	881-586	Motor casing (For CANADA)	1	————	4011591000
39	881-478	Ball bearing	1	160201	7060010000
40	881-486	Cover	1	160250	5110060008
41	881-565	Fan	1	160292	7200070000
42	881-480	Tension rod	2	160352	7018010000
43	881-479	Screw	4	160065	7012090000
44	881-498	Discharge tap	2	160503	7130280000

Item No.	Code No.	Part Name	Q'ty	Code No. (OLD)	Reference No.
45	881-418	Nut	4	160002	7020060000
46	881-573	Washer	6	160023	7030190000
47	881-571	Screw	4	160052	7011100000
48	881-572	Washer	8	160022	7030030000
49	881-583	Rubber	4	160543	7360260000
50	881-570	Base	1	160501	5011410008
51	881-582	Rubber handle	1	160545	7280070000
52	881-496	Tube	1	————	7230010000
53	881-581	Non return valve	1	160527	7190040000
54	881-580	Infeed tube	1	160511	7235740000
55	881-509	Joint	1	160523	7085790000
56	881-510	Pressure reducer	1	160536	7100120000
57	881-508	Pressure gauge	2	160533	7110010000
58	881-511	Joint	1	160513	7081090000
59	881-504	Blocking nut	1	160004	7023040000
60	881-574	Joint	1	160525	7231990000
61	881-576	Joint	1	160521	7085180000
62	881-507	Stretch eliminator	2	160549	7501100000
63	881-575	Pressure switch	1	160538	7250510000
64	881-493	Safety valve	1	160546	7192270000
65	881-577	Rubber	4	160542	7360140000
66	881-420	Screw	4	160050	7011040000
67	881-578	Toothed washer	4	160025	7031010000
68	881-489	Nut	4	160003	7020070000
70	881-419	Washer	2	160021	7030020000
71	881-503	Infeed cable	1	160502	7328620000
72	881-588	Thermal Protector (For CANADA)	1	————	7410690000
73	881-517	Stretch Eliminator (For CANADA)	1	————	7501050000
74	881-518	Electric Cable (For CANADA)	1	————	7329950000

Parts are subject to change without any obligation on the part of the HITACHI due to improvements.



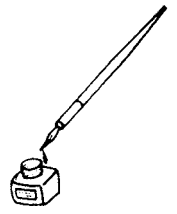


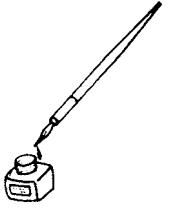
EC16

Item No.	Code No.	Part Name	Q'ty	Code No. (OLD)	Reference No.
1	881-610	Screw M8x40	6	160075	7010070000
2	881-611	Head	1	160121	7570070000
3	881-612	Gasket	1	160102	7079000000
4	881-613	Valve plate	1	160130	4231000000
5	881-614	Gasket	1	160103	7079010000
6	881-619	Piston group (include 7-10)	2	160153	4291030000
7	881-615	Piston rings	2	160158	4080060000
8	881-616	Piston	2	160152	7220050000
9	881-618	Ring	4	160410	7041030000
10	881-617	Piston pin	2	160156	7050030000
11	881-624	Cover	1	160254	7650060000
12	881-623	Gasket	1	160105	7079030000
13	881-622	Ball bearing 6204	2	160205	7060200000
14	881-401	Nut	4	160005	7021010000
15	881-620	Con rod	2	160143	4190160008
16	881-621	Carter	1	160220	4240010008
17	881-633	Crankshaft	1	160273	5041000008
18	881-634	Key	1	160403	7051500000
19	881-636	Cover	1	160253	7650050000
20	881-625	Screw M6x15	6	160077	7011920000
21	881-626	Plug	1	160532	7098030000
22	881-629	Gasket	1	160104	7079020000
23	881-628	Carter cover	1	160224	7650040000
24	881-627	Screw M5x15	8	160076	7011440000
25	881-631	Screw M8x20	2	160074	7010050000
26	881-632	Intake filter	1	160305	4250060000
27	881-630	Dipstick	1	160529	7181080000
28	881-635	Smim ring	1	160411	7071100000
29	881-637	Set of gasket (include 3,5,12,22)	1	160108	4082510000
30	—	Nameplate	1	—	—
31	881-484	Screw	4	160063	7012070000
32	881-641	Conveyor	1	160402	7151130000
33	881-640	Stretch eliminator	1	160548	7501050000
34	881-639	Plate	1	160405	7458900000
35	881-488	Capacitor (For U.S.A)	2	160170	7310140000
	881-515	Capacitor (For CANADA)	2	—	7310430000
36	881-638	Capacitor shroud	2	160172	7311000000
37	881-669	Tab	1	160350	7051240000
38	881-478	Ball bearing	1	160201	7060010000
39	881-668	Drilled cover	1	160255	7640070000
40	881-670	Screw	4	160069	7012200000
41	881-667	Housing support	1	160414	7151070000
42	881-666	Screw	1	160070	7012240000
43	881-665	Belt	1	160400	7370600000
44	881-664	Pulley	1	160407	7409310000
45	881-634	Key	1	160403	7051500000
46	881-663	Washer	1	160024	7030270000
47	881-571	Screw	1	160052	7011100000
48	881-659	Housing cover	1	160256	7151060000
49	881-642	Tension rod	2	160351	7015140000
50	881-643	Cover	1	160251	7640080000
51	881-478	Ball bearing	1	160201	7060010000
52	881-487	Chock	1	160401	7500030000
53	881-644	Motor casing (For U.S.A)	1	160182	7012330000
	881-686	Motor casing (For CANADA)	1	—	4012650000

Item No.	Code No.	Part Name	Q'ty	Code No. (OLD)	Reference No.
54	881-645	Rotor	1	160333	5090300000
55	881-646	Shaft	1	160413	7580150000
56	881-418	Nut	2	160002	7020020000
57	881-647	Spring	1	160090	7160060000
58	881-660	Screw	2	160065	7012090000
59	881-662	Pulley	1	160408	7409320000
60	881-661	Screw	2	160068	7012130000
61	881-656	Fan	1	160293	7200170000
62	881-658	Washer	1	160027	7038080000
63	881-492	Screw	2	160062	7012060000
64	881-657	Screw	1	160056	7011420000
65	881-503	Infeed cable	1	160502	7328620000
66	881-650	Pressure gauge	1	160535	7110210000
67	881-507	Stretch eliminator	2	160549	7501100000
68	881-575	Pressure switch	1	160538	7250510000
69	881-649	Plug	1	160531	7090090000
70	881-648	Selflocking nut	1	160006	7021050000
71	881-651	Quick coupling	1	160539	7084220000
72	881-652	Safety valve	1	160547	7192170000
73	881-653	Base	1	160500	5011240008
74	881-654	Bushing	1	160091	7230060000
75	881-655	Tension rod	1	160353	7015290000
76	881-509	Joint	1	160523	7085790000
77	881-508	Pressure gauge	1	160533	7110010000
78	881-510	Pressure reducer	1	160536	7100120000
79	881-678	Joint	1	160520	7085170000
80	881-677	Joint	1	160512	7080010000
81	881-676	Infeed tube	1	160510	7235540000
82	881-496	Tube	1	—	7230010000
83	881-495	Joint	1	160515	7082680000
84	881-674	Non return valve	1	160526	7190010000
85	881-671	Fixing bracket	2	160502	7498090000
86	881-419	Washer	8	160021	7030020000
87	881-399	Screw	4	160050	7011040000
88	881-468	Seeger	2	160540	7040040000
89	881-673	Wheel	1	160552	7260080000
90	881-672	Wheel pin	1	160553	7332010000
91	881-680	Joint	1	160519	7084240000
92	881-496	Tube	1	—	7230010000
93	881-681	Joint	1	160522	7085190000
94	881-682	Handle	2	160504	7280030000
95	881-498	Discharge tap	2	160503	7130280000
96	881-418	Nut	4	160002	7020060000
97	881-685	Screw	4	160055	7011390000
98	881-401	Nut	4	160005	7021010000
99	881-573	Washer	8	160023	7030190000
100	881-684	Rubber	4	160541	7360990000
101	881-683	Screw	4	160051	7011050000
102	881-588	Thermal Protector (For CANADA)	1	—	7410690000
103	881-518	Electric Cable (For CANADA)	1	—	7329950000

Parts are subject to change without any obligation on the part of the HITACHI due to improvements.





For USA, distributed by  
**Hitachi Koki U.S.A., Ltd.**  
3950 Steve Reynolds Boulevard,  
Norcross, GA 30093

For Canada, distributed by  
**Hitachi Koki Canada Co.**  
6395 Kestrel Road,  
Mississauga, Ontario L5T 1Z5

**Hitachi Koki Co., Ltd.**  
Nippon Bldg., 6-2, Ohtemachi 2-chome,  
Chiyoda-ku, Tokyo 100-0004, Japan