



Illustrated Parts Manual

Models **800A** **800AJ**

USA Built Machines
S/N 0300140000 to Present
China Built Machines
S/N B300000100 to Present

P/N
3121271

July 29, 2011

ANSI

CE



An Oshkosh Corporation Company

REVISION LOG

NOTE: The 800A & 800AJ Boom Lifts are manufactured by JLG Industries in the following countries: USA and China. Refer to the Serial Number Tag to identify the country of manufacture. The country of manufacture may be determined by the Serial Number. Machines manufactured in the USA will have a serial number prefix of 03 (i.e. 03XXXXXXXX). Machines manufactured in the China will have a serial number prefix of B3 (i.e. B3XXXXXXXX).

December 30, 2010 - Original Issue Of Manual (Manual edited to 0010580 Revision 153)

April 27, 2011 - Revised Manual (Manual edited to 0010580 Revision 155)

July 29, 2011 - Revised Manual (Manual edited to 0010580 Revision 158)

REVISION LOG

TABLE OF CONTENTS

| FIGURE NO. | TITLE | PAGE NO. |
|------------------------------|--|------------|
| SECTION 1 - FRAME | | 1-1 |
| 1-1 | AXLE AND STEERING INSTALLATION | 1-2 |
| 1-2 | TIRE AND WHEEL INSTALLATIONS | 1-6 |
| 1-3 | DRIVE HUB ASSEMBLY | 1-10 |
| 1-4 | DRIVE MOTOR ASSEMBLY | 1-14 |
| 1-5 | DRIVE VALVES & SHIELDS INSTALLATIONS | 1-18 |
| 1-6 | TOW PACKAGE INSTALLATION (2WS ONLY) (ANSI & ANSI EXPORT) | 1-20 |
| SECTION 2 - TURNTABLE | | 2-1 |
| 2-1 | CONTROL VALVES & HORN INSTALLATIONS | 2-2 |
| 2-2 | MAIN CONTROL VALVE ASSEMBLY | 2-6 |
| 2-3 | ACCESSORY VALVE ASSEMBLY | 2-10 |
| 2-4 | AUXILIARY PUMP ASSEMBLY | 2-12 |
| 2-5 | TURNTABLE BEARING AND SWING DRIVE INSTALLATION | 2-14 |
| 2-6 | SWING MOTOR/HUB ASSEMBLY | 2-16 |
| 2-7 | CATERPILLAR ENGINE INSTALLATION | 2-20 |
| 2-8 | DEUTZ ENGINE INSTALLATION | 2-28 |
| 2-9 | GM ENGINE INSTALLATION | 2-36 |
| 2-10 | PISTON PUMP ASSEMBLY | 2-42 |
| 2-11 | TANK INSTALLATIONS | 2-46 |
| 2-12 | LP TANK INSTALLATIONS (GM ENGINE MACHINES ONLY) | 2-50 |
| 2-13 | ROTARY COUPLING INSTALLATION | 2-52 |
| 2-14 | GROUND CONTROL BOX ASSEMBLY | 2-56 |
| 2-15 | ELECTRICAL OPTIONS INSTALLATION (TURNTABLE MOUNTED) | 2-60 |
| 2-16 | HOODS INSTALLATION (ABS) | 2-62 |
| 2-17 | HOODS INSTALLATION (STEEL) | 2-66 |
| 2-18 | ENGINE TRAY JACK INSTALLATION (OPTIONAL) | 2-72 |
| 2-19 | 2500W GENERATOR INSTALLATION - CATERPILLAR MACHINES (OPTIONAL) | 2-74 |
| 2-20 | 2500W GENERATOR INSTALLATION - DEUTZ MACHINES (OPTIONAL) | 2-78 |
| 2-21 | 2500W GENERATOR INSTALLATION - GM MACHINES (OPTIONAL) | 2-82 |
| 2-22 | 7500W SKYPOWER GENERATOR INSTALLATION - CATERPILLAR AND DEUTZ MACHINES | 2-86 |
| 2-23 | 7500W SKYPOWER GENERATOR INSTALLATION - GM MACHINES | 2-94 |
| SECTION 3 - BOOM | | 3-1 |
| 3-1 | BOOM AND CYLINDER INSTALLATION - 800A | 3-2 |
| 3-2 | BOOM AND CYLINDER INSTALLATION - 800AJ | 3-6 |
| 3-3 | TOWER BOOM ASSEMBLY | 3-10 |
| 3-4 | MAIN BOOM ASSEMBLIES | 3-14 |
| 3-5 | ROTATOR ASSEMBLY | 3-18 |
| 3-6 | VALVE AND LIMIT SWITCH INSTALLATIONS (BOOM MOUNTED) | 3-20 |
| SECTION 4 - PLATFORM | | 4-1 |
| 4-1 | PLATFORM COMPONENTS INSTALLATION | 4-2 |
| 4-2 | PLATFORM COMPONENTS INSTALLATION (FALL ARREST PLATFORM) | 4-6 |
| 4-3 | PLATFORM CONSOLE ASSEMBLY | 4-8 |
| 4-4 | CONTROLLER ASSEMBLY (SWING & IIFT) | 4-14 |
| 4-5 | CONTROLLER ASSEMBLY (DRIVE & STEER) | 4-18 |
| 4-6 | SOFT TOUCH SYSTEM INSTALLATION (OPTIONAL) | 4-22 |

TABLE OF CONTENTS

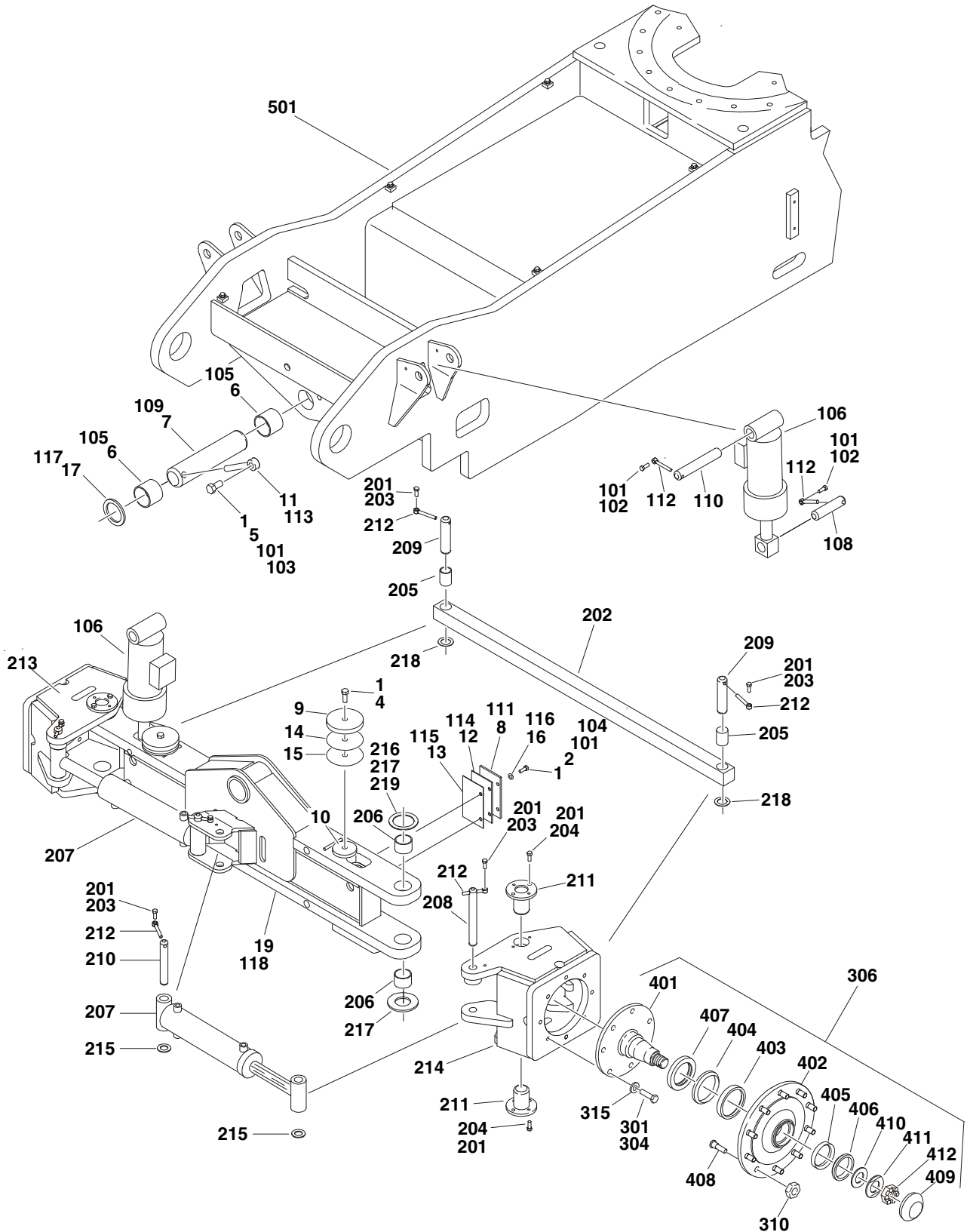
| FIGURE NO. | TITLE | PAGE NO. |
|--|--|-------------|
| SECTION 5 - CYLINDER | | 5-1 |
| 5-1 | AXLE LOCKOUT CYLINDER ASSEMBLY | 5-2 |
| 5-2 | UPRIGHT LEVEL CYLINDER ASSEMBLY | 5-4 |
| 5-3 | LIFT CYLINDER ASSEMBLY - JIB (800AJ ONLY) | 5-6 |
| 5-4 | LIFT CYLINDER ASSEMBLY - MAIN BOOM | 5-8 |
| 5-5 | LIFT CYLINDER ASSEMBLY - TOWER BOOM | 5-10 |
| 5-6 | MASTER CYLINDER ASSEMBLY - 800A | 5-12 |
| 5-7 | MASTER CYLINDER ASSEMBLY - 800AJ | 5-14 |
| 5-8 | SLAVE CYLINDER ASSEMBLIES | 5-16 |
| 5-9 | STEER CYLINDER ASSEMBLY (USA BUILT MACHINES S/N 0300140000 TO S/N 0300142666) | 5-20 |
| 5-10 | STEER CYLINDER ASSEMBLY (USA BUILT MACHINES S/N 03000142664 TO PRESENT ONLY & CHINA BUILT MACHINES S/N B300000100 TO PRESENT ONLY) | 5-22 |
| 5-11 | TELESCOPE CYLINDER ASSEMBLY - MAIN | 5-24 |
| 5-12 | TELESCOPE CYLINDER ASSEMBLY - TOWER | 5-26 |
| SECTION 6 - HYDRAULIC | | 6-1 |
| 6-1 | AXLE LOCKOUT HYDRAULIC DIAGRAM | 6-2 |
| 6-2 | DRIVE HYDRAULIC DIAGRAM - 2WD | 6-4 |
| 6-3 | DRIVE HYDRAULIC DIAGRAM - 4WD/2WS | 6-8 |
| 6-4 | STANDARD HYDRAULIC DIAGRAM | 6-12 |
| 6-5 | HYDRAULIC DIAGRAM LIST | 6-16 |
| SECTION 7 - ELECTRICAL | | 7-1 |
| 7-1 | ELECTRICAL DIAGRAM LIST | 7-2 |
| 7-2 | ELECTRICAL SCHEMATIC | 7-4 |
| 7-3 | HARNES COMPONENTS INSTALLATION | 7-14 |
| SECTION 8 - DECALS | | 8-1 |
| 8-1 | DECAL INSTALLATION (ANSI SPEC) | 8-2 |
| 8-2 | DECAL INSTALLATION (COUNTRY SPEC) | 8-6 |
| 8-3 | DECAL INSTALLATION (Australian & CE SPEC) | 8-12 |
| SECTION 9 - RECOMMENDED SERVICE PARTS STOCK | | 9-1 |
| SECTION 10 - SPECIAL OPTIONS | | 10-1 |
| SECTION 11 - PARTS NUMBER INDEX | | 11-1 |

SECTION 1

FRAME

SECTION 1 FRAME

FIGURE 1-1. AXLE AND STEERING INSTALLATION



SECTION 1 FRAME

FIGURE 1-1. AXLE AND STEERING INSTALLATION

| ITEM # | PART NUMBER | QTY. | DESCRIPTION | REV. |
|--------|-------------|------|---|------|
| | 0258286 | Ref. | FIXED AXLE INSTALLATION | C |
| 1 | 0100011 | A/R | Compound, Locking | |
| 2 | 0681608 | 4 | Bolt 3/8"-16NC x 1" (Grade 8) | |
| 3 | Not Used | | | |
| 4 | 0641820 | 2 | Bolt 1/2"-13NC x 2 1/2" | |
| 5 | 0642212 | 1 | Bolt 3/4"-10NC x 1 1/2" | |
| 6 | 0962102 | 2 | Bushing, Garmax | |
| 7 | 3422703 | 1 | Pin, Axle Pivot | |
| 8 | 3538047 | 2 | Shim, Wear | |
| 9 | 3539877 | 2 | Plate, Stop | |
| 10 | 3539878 | 2 | Plate, Stop | |
| 11 | 3841287 | 1 | Keeper, Pin | |
| 12 | 4070878 | A/R | Shim 1/16" | |
| 13 | 4070879 | A/R | Shim 1/8" | |
| 14 | 4070944 | A/R | Shim 1/16" | |
| 15 | 4070945 | A/R | Shim 1/4" | |
| 16 | 4711600 | 4 | Flatwasher 3/8" Narrow | |
| 17 | 4740472 | 1 | Washer, Special | |
| 18 | Not Used | | | |
| 19 | 4845658 | 1 | Axle Weldment | |
| | | Ref. | OSCILLATING AXLE INSTALLATIONS | |
| | 0274264 | Ref. | Oscillating Axle Without Tow Package | B |
| | 0274265 | Ref. | Oscillating Axle With Tow Package | B |
| 101 | 0100011 | A/R | Compound, Locking | |
| 102 | 0681608 | 4 | Bolt 3/8"-16NC x1" (Grade 8) | |
| 103 | 0642212 | 1 | Bolt 3/4"-10NC x 1 1/2" | |
| 104 | 0641608 | 4 | Bolt 3/8"-16NC x1" | |
| 105 | 0962102 | 2 | Bushing, Composite | |
| 106 | 1683078 | 2 | Lockout Cylinder Assembly (See Section 5 for Breakdown) | |
| 107 | Not Used | | | |
| 108 | 3422702 | 2 | Pin | |
| 109 | 3422703 | 1 | Pin, Main Pivot | |
| 110 | 3422755 | 2 | Pin | |
| 111 | 3538047 | 2 | Shim, Axle Wear | |
| 112 | 3841143 | 4 | Shaft, Keeper 3/8" Dia x 3" | |
| 113 | 3841287 | 1 | Shaft, Keeper 3/8" Dia x 6" | |
| 114 | 4070878 | 2 | Shim, Axle Wear | |
| 115 | 4070879 | 2 | Shim, Axle Wear | |
| 116 | 4711600 | 4 | Flatwasher 3/8" Narrow | |
| 117 | 4740472 | 1 | Washer, Special | |
| 118 | | 1 | Axle Weldment Options: | |
| | 4845658 | | Axle Without Tow Package | |
| | 4846413 | | Axle With | |

SECTION 1 FRAME

FIGURE 1-1. AXLE AND STEERING INSTALLATION (CONTINUED)

| ITEM # | PART NUMBER | QTY. | DESCRIPTION | REV. |
|------------|-------------|------|---|------|
| | | Ref. | STEERING INSTALLATIONS | |
| | 0272003 | Ref. | 2WS | D |
| | 1001100156 | Ref. | 4WS (Rear Steering Typical / Double Qty Listed for 4WS) Note: See Tow Package Installation for Steering Components on Machines with Tow Option. Note: Qty Shown is for 2WS Machines. Double Qty Required for 4WS Machines. | D |
| 201 | 0100011 | A/R | Compound, Locking | |
| 202 | 0362726 | 1 | Tie-Rod | |
| 203 | 0641608 | 6 | Bolt 3/8"-16NC x 1" | |
| 204 | 0641810 | 16 | Bolt (1/2"-13NC x 1 1/4" | |
| 205 | 0962152 | 2 | Bearing, Garmax | |
| 206 | | 4 | Bearing Options: | |
| | 0962448 | | Bearing, Composite (USA Built Machines S/N 0300140000 to S/N 0300150056 & China Built Machines S/N B300000100 to S/N B300000277) | |
| | 1001112651 | | Bearing, Aluminum Bronze (USA Built Machines S/N 0300150056 to Present & China Built Machines S/N B300000277 to Present) | |
| 207 | | 2 | Steer Cylinder Assembly Options (See Section 5 for Break-down): | |
| | 1683740 | | USA Built Machines S/N 0300140000 to S/N 03142664 | |
| | 1001097243 | | USA Built Machines S/N 03142664 to Present & China Built Machines to Present | |
| 208 | 3422701 | 2 | Pin, Steer, Spindle Attach | |
| 209 | 3422702 | 2 | Pin, Tie-Rod | |
| 210 | 3422754 | 2 | Pin, Attach | |
| 211 | 3422972 | 4 | Kingpin | |
| 212 | 3841143 | 6 | Shaft, Keeper 3/8"x 3" | |
| 213 | 4130389 | 1 | Spindle Weldment (Right Side) | |
| 214 | 4130390 | 1 | Spindle Weldment (Left Side) | |
| 215 | 4740111 | 4 | Washer, Special | |
| 216 | 4740256 | 2 | Washer, Thrust (.125") | |
| 217 | 4740463 | 2 | Washer, Thrust (.250") | |
| 218 | 4740473 | 2 | Washer, Special | |
| 219 | 1001103810 | 2 | Washer, Thrust (.187") | |
| | 0273378 | Ref. | HUB INSTALLATION (2WD ONLY) | E |
| 301 | 0100011 | A/R | Compound, Locking | |
| 302 to 303 | Not Used | | | |
| 304 | 0682016 | 16 | Bolt 5/8"-16NC x 2" (Grade 8) | |
| 305 | Not Used | | | |
| 306 | 2780229 | 2 | Hub Assembly (See Items 401-412 for Breakdown) | |
| 307 to 309 | Not Used | | | |
| 310 | 3300007 | 20 | Lugnut | |
| 311 to 314 | Not Used | | | |
| 315 | 4892000 | 16 | Flatwasher 5/8" Hardened | |

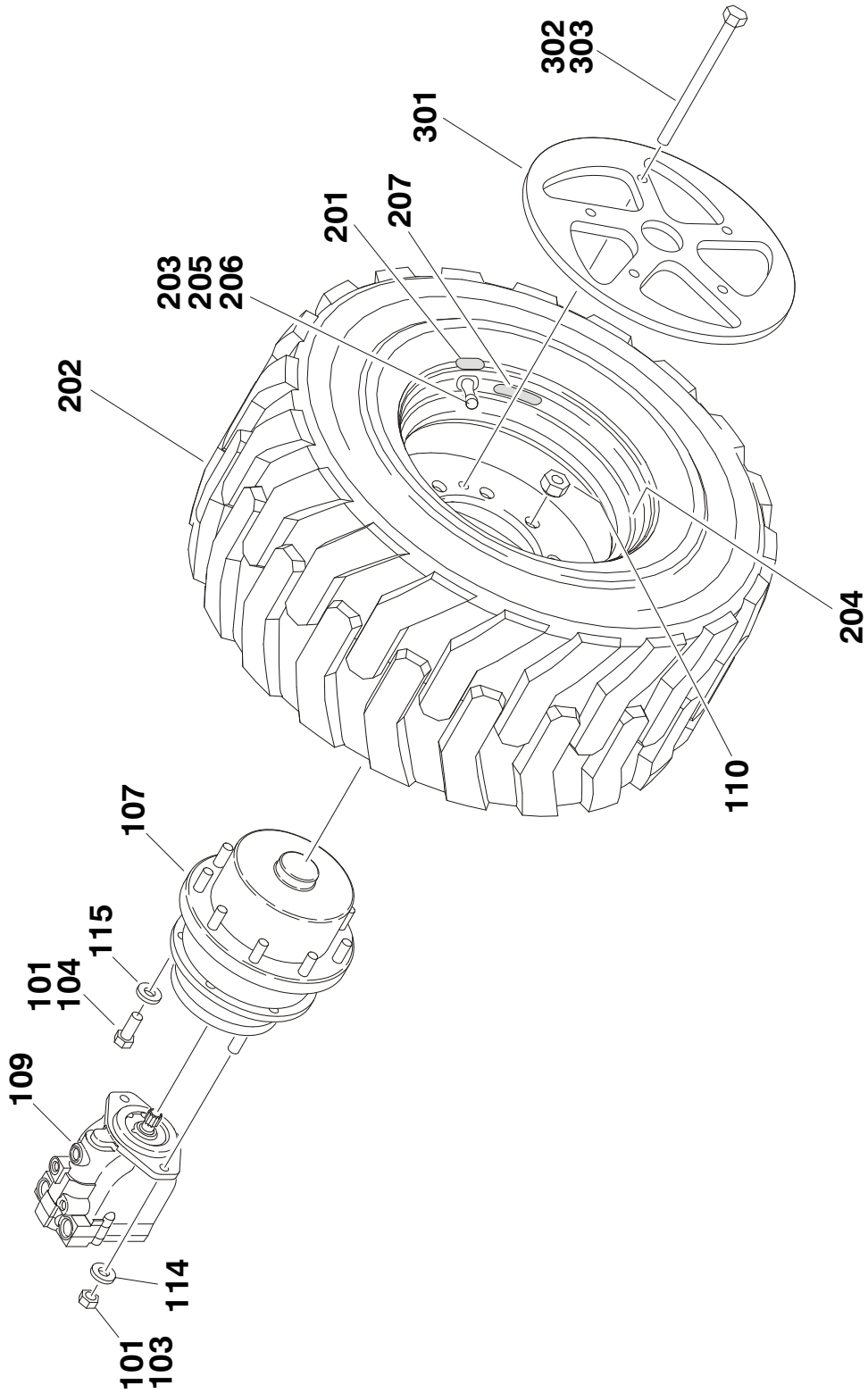
SECTION 1 FRAME

FIGURE 1-1. AXLE AND STEERING INSTALLATION (CONTINUED)

| ITEM # | PART NUMBER | QTY. | DESCRIPTION | REV. |
|--------|-------------|------|---|------|
| | 2780229 | Ref. | HUB ASSEMBLY (2WD ONLY) | A |
| 401 | 7017052 | 2 | Spindle (1 per Assembly) | |
| 402 | 7017053 | 2 | Housing (1 per Assembly) | |
| 403 | 7010404 | 2 | Cup, Bearing - Inner (1 per Assembly) | |
| 404 | 7010405 | 2 | Cone, Bearing - Inner (1 per Assembly) | |
| 405 | 7017056 | 2 | Cup, Bearing - Outer (1 per Assembly) | |
| 406 | 7017055 | 2 | Cone, Bearing - Outer (1 per Assembly) | |
| 407 | 7010406 | 2 | Seal, Lip (1 per Assembly) | |
| 408 | 7000265 | 20 | Stud (10 per Assembly) | |
| 409 | 7017054 | 2 | Dust Cap (1 per Assembly) | |
| 410 | 7017051 | 2 | Washer, Special (1 per Assembly) | |
| 411 | 7017057 | 2 | Washer, Tanged (1 per Assembly) | |
| 412 | 7017058 | 2 | Nut, Bearing (1 per Assembly) | |
| 501 | | Ref. | FRAME WELDMENT OPTIONS: All Spec -Frame Weldment 2WD/2WS with Foam-Filled Tires 4WD/2WS with Foam-Filled Tires 4WD/4WS with Foam-Filled Tires All Specs Except Australian & CE Spec -Frame Weldment 2WD/2WS with Pneumatic Tires 4WD/2WS with Pneumatic Tires 4WD/4WS with Pneumatic Tires | |
| | 2360645 | | | |
| | 2360647 | | | |
| | 2360709 | | | |
| | 2360644 | | | |
| | 2360646 | | | |
| | 2360686 | | | |

SECTION 1 FRAME

FIGURE 1-2. TIRE AND WHEEL INSTALLATIONS



SECTION 1 FRAME

FIGURE 1-2. TIRE AND WHEEL INSTALLATIONS

| ITEM # | PART NUMBER | QTY. | DESCRIPTION | REV. |
|------------|-------------|------|---|------|
| | | Ref. | WHEEL DRIVE INSTALLATION | |
| | 0273378 | Ref. | 2WD/2WS | E |
| | 0273704 | Ref. | 4WD/2WS | D |
| | 0274232 | Ref. | 4WD/4WS | D |
| | | | Note: Qty Shown is for 2WS Machines. Double Qty Required for 4WS Machines. | |
| 101 | 0100011 | A/R | Compound, Locking | |
| 102 | Not Used | | | |
| 103 | 3311801 | 4 | Nut 1/2"-13 NC | |
| 104 | 0682016 | 16 | Bolt 5/8"-11NC x 2" (Grade 8) | |
| 105 | 2300016 | A/R | Fluid, Hydraulic (Not Shown) | |
| 106 | Not Used | | | |
| 107 | 2780272 | 2 | Drive Hub Assembly (See Figure 1-4 for Breakdown) | |
| 108 | 3020008 | A/R | Lubricant (Not Shown) | |
| 109 | | 2 | Drive Motor Assembly Options (See Figure 1-7 for Breakdown): | |
| | 3160347 | 2 | 2WD Rear | |
| | 3160348 | 4 | 4WD Front & Rear | |
| 110 | 3300007 | 20 | Nut, Wheel | |
| 111 to 113 | Not Used | | | |
| 114 | 4891800 | 4 | Flatwasher, 1/2" Hardened | |
| 115 | 4892000 | 16 | Flatwasher, 5/8" Hardened | |
| | | Ref. | TIRE AND WHEEL INSTALLATIONS | |
| | 0270885 | Ref. | 15-625 Pneumatic | A |
| | 0272322 | Ref. | 15-625 Pneumatic W/Sealant | 1 |
| | 1001101067 | Ref. | 18-22.5 Pneumatic W/Sealant | 1 |
| | 0270886 | Ref. | 15-625 Foam-Filled | A |
| | 0270888 | Ref. | 18-625 Foam-Filled | A |
| | 0271083 | 2 | 15-625 Pneumatic Left Side | |
| | 0272334 | 2 | 15-625 Pneumatic/TS Left Side | |
| | 1001097519 | 2 | 18-22.5 Pneumatic/TS Left Side | |
| | 0271084 | 2 | 15-625 Pneumatic Right Side | |
| | 0272333 | 2 | 15-625 Pneumatic/TS Right Side | |
| | 1001097519 | 2 | 18-22.5 Pneumatic/TS Right Side | |
| | 0271085 | 2 | 15-625 Foam-Filled Left Side | |
| | 0271086 | 2 | 15-625 Foam-Filled Right Side | |
| | 0271090 | 2 | 18-625 Foam-Filled Left Side | |
| | 0271091 | 2 | 18-625 Foam-Filled Right Side | |
| | | | Note: Assemblies may require ballast/foam filling to manufacturer's specifications prior to installing on a machine. Refer to Operation & Safety or Service & Maintenance Manuals. Purchase individual tire and/or rim only if able to foam fill tire & wheel assembly, otherwise, purchase complete assembly, | |
| 201 | | 1 | Decal Options: | |
| | 1702701 | | 95 PSI (15-625 Tires) | |
| | 1702739 | | 85 PSI (18-22.5 Tires) | |

SECTION 1 FRAME

FIGURE 1-2. TIRE AND WHEEL INSTALLATIONS (CONTINUED)

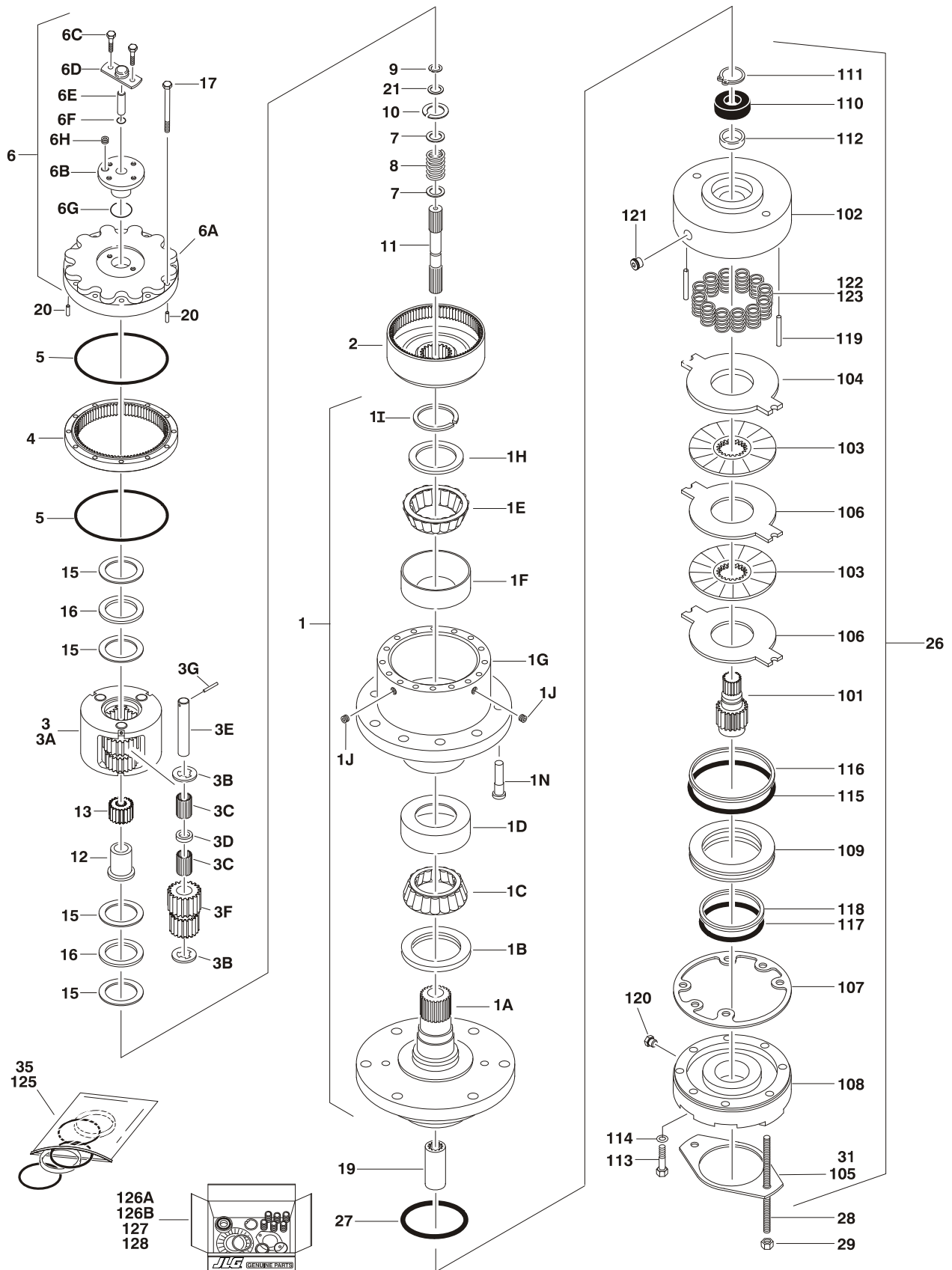
| ITEM # | PART NUMBER | QTY. | DESCRIPTION | REV. |
|--------|----------------------------------|------|--|------|
| 202 | 4520252 4520253 1001097408 | 1 | Tire Options: 15-625 18.625 18.22.5 | |
| 203 | 4640113 | 1 | Valve, Air | |
| 204 | 4860224 1001097407 4860225 | 1 | Rim, Wheel Options: 13 x 24.5 14 x 22.5 15 x 24.5 | |
| 205 | 1120552 | 1 | Cap Valve Stem (Green) (W/Sealant Only) | |
| 206 | 1300019 | A/R | Chemical, Tire Sealant (Green) (W/Sealant Only) | |
| 207 | 1705364 | 1 | Decal - Tire Sealant (W/Sealant Only) | |
| | 0256196 | Ref | WHEEL COVER INSTALLATION (OPTIONAL) | 2/A |
| 301 | 1670776 | 4 | Cover, Wheel | |
| 302 | 0641550 | 20 | Bolt 5/16" - 18NC x 6 1/4" | |
| 303 | 0100011 | A/R | Compound, Locking | |

FIGURE 1-2. TIRE AND WHEEL INSTALLATIONS (CONTINUED)

| ITEM # | PART NUMBER | QTY. | DESCRIPTION | REV. |
|--------|-------------|------|-------------|------|
| | | | | |

SECTION 1 FRAME

FIGURE 1-3. DRIVE HUB ASSEMBLY



SECTION 1 FRAME

FIGURE 1-3. DRIVE HUB ASSEMBLY

| ITEM # | PART NUMBER | QTY. | DESCRIPTION | REV. |
|--------|---------------|------|-----------------------------------|------|
| | 2780272 | Ref. | DRIVE HUB/BRAKE ASSEMBLY | B |
| | 2780227 | Ref. | Hub Assembly | A |
| 1 | Not Available | 1 | Spindle/Housing Assembly | |
| 1A | 7010464 | 1 | Spindle | |
| 1B | 7000236 | 1 | Seal | |
| 1C | 7000273 | 1 | Cone, Bearing | |
| 1D | 7000272 | 1 | Cup, Bearing | |
| 1E | 7000275 | 1 | Cone, Bearing | |
| 1F | 7000274 | 1 | Cup, Bearing | |
| 1G | 7017033 | 1 | Housing | |
| 1H | 7000239 | 1 | Washer, Thrust | |
| 1I | 7000240 | 1 | Ring, Retaining | |
| 1J | 7001928 | 1 | Plug, Pipe | |
| 1K | Not Used | | | |
| 1L | Not Used | | | |
| 1M | Not Used | | | |
| 1N | 7000265 | 10 | Stud, Wheel | |
| 2 | 7024782 | 1 | Gear, Ring | |
| 3 | Not Available | 1 | Carrier Assembly | |
| 3A | 7024147 | 1 | Carrier | |
| 3B | 7001901 | 6 | Thrustwasher, Tanged | |
| 3C | 7001902 | 96 | Bearing, Needle | |
| 3D | 7001903 | 3 | Spacer, Thrust | |
| 3E | 7024146 | 3 | Shaft, Planet | |
| 3F | 7024148 | 3 | Gear, Cluster | |
| 3G | 7001906 | 3 | Rollpin | |
| 4 | 7024151 | 1 | Gear, Internal | |
| 5 | 7000224 | 2 | O-Ring | |
| 6 | Not Available | 1 | Cover Assembly | |
| 6A | 7024155 | 1 | Cover | |
| 6B | 7024783 | 1 | Cap | |
| 6C | 7000220 | 4 | Bolt 1/4"-20NC x 3/4" | |
| 6D | 7000231 | 1 | Cap, Disengage | |
| 6E | 7000235 | 1 | Rod, Disengage | |
| 6F | 7000213 | 1 | O-Ring | |
| 6G | 7000238 | 1 | O-Ring | |
| 6H | 7017048 | 1 | Plug, Pipe | |
| 7 | 7000282 | 2 | Thrustwasher | |
| 8 | 7000283 | 1 | O-Ring | |
| 9 | 7000284 | 1 | Ring, Retaining | |
| 10 | 7000285 | 1 | Ring, Retaining | |
| 11 | 7024781 | 1 | Shaft, Input | |
| 12 | 7024154 | 1 | Spacer, Input | |
| 13 | 7024149 | 1 | Gear, Sun | |
| 14 | Not Used | | | |
| 15 | 7000287 | 4 | Thrustwasher | |
| 16 | 7000288 | 2 | Thrustwasher | |
| 17 | 7000289 | 12 | Bolt 3/8"-16NC x 2 1/2" (Grade 8) | |

SECTION 1 FRAME

FIGURE 1-3. DRIVE HUB ASSEMBLY (CONTINUED)

| ITEM # | PART NUMBER | QTY. | DESCRIPTION | REV. |
|----------|---------------|------|--|------|
| 18 | Not Used | | | |
| 19 | 7000290 | 1 | Coupling | |
| 20 | 7017047 | 2 | Pin, Dowel | |
| 21 | 7017050 | 1 | Thrustwasher | |
| 22 to 25 | Not Used | | | |
| 26 | 7024182 | 1 | Brake Assembly (Includes Items 101-123) | |
| 27 | 7024763 | 2 | O-Ring | |
| 28 | 7024717 | 2 | Stud 1/2"-13NC x 4 5/8" | |
| 29 | 7024718 | 2 | Nut 1/2"-13NC | |
| 30 | Not Used | | | |
| 31 | 7000731 | 1 | Gasket | |
| 32 to 34 | Not Used | | | |
| 35 | 7017068 | 1 | Seal Kit - Hub (Includes Items 1B,5,6F,6G & 8) | |
| | 7024182 | Ref. | BRAKE ASSEMBLY | |
| 101 | 7024189 | 1 | Shaft | |
| 102 | Not Available | 1 | Housing | |
| 103 | Use Item 127 | 2 | Plate, Friction | |
| 104 | Use Item 127 | 1 | Plate, Pressure | |
| 105 | 7000731 | 1 | Gasket | |
| 106 | Use Item 127 | 2 | Plate, Outer | |
| 107 | See Note | 1 | Gasket (Note: Use Item 125, 127 or 128.) | |
| 108 | 7024191 | 1 | Cylinder | |
| 109 | 7024192 | 1 | Piston | |
| 110 | Use Item 128 | 1 | Bearing, Ball | |
| 111 | Use Item 128 | 1 | Ring, Retaining | |
| 112 | Use Item 128 | 1 | Seal, Shaft | |
| 113 | Not Available | 6 | Capscrew | |
| 114 | Not Available | 6 | Lockwasher | |
| 115 | Use Item 125 | 1 | O-Ring | |
| 116 | Use Item 125 | 1 | Ring, Back-up | |
| 117 | Use Item 125 | 1 | O-Ring | |
| 118 | Use Item 125 | 1 | Ring, Back-up | |
| 119 | 7024190 | 2 | Pin, Dowel | |
| 120 | Not Available | 1 | Plug | |
| 121 | Not Available | 2 | Plug | |
| 122 | Use Item 126A | 10 | Spring Kit (Natural) | |
| 123 | Use Item 126B | 2 | Spring Kit (Blue) | |
| 124 | Not Used | | | |
| 125 | 7024194 | 1 | Seal Kit - Brake (Includes Items 105, 107 & 115-118) | |
| 126 | | | Spring Kit - Brake Options: | |
| 126A | 7024195 | 1 | Includes 12 Natural Colored Springs Item 122 | |
| 126B | 7024196 | 1 | Includes 12 Blue Colored Springs Item 123 | |
| 127 | 7024193 | 1 | Friction Disc Kit - Brake (Includes Items 103, 104, 106 & 107) | |
| 128 | 7024197 | 1 | Bearing Kit - Brake (Includes Items 107 & 110-112) | |

FIGURE 1-3. DRIVE HUB ASSEMBLY (CONTINUED)

| ITEM # | PART NUMBER | QTY. | DESCRIPTION | REV. |
|--------|-------------|------|-------------|------|
| | | | | |

SECTION 1 FRAME

FIGURE 1-4. DRIVE MOTOR ASSEMBLY

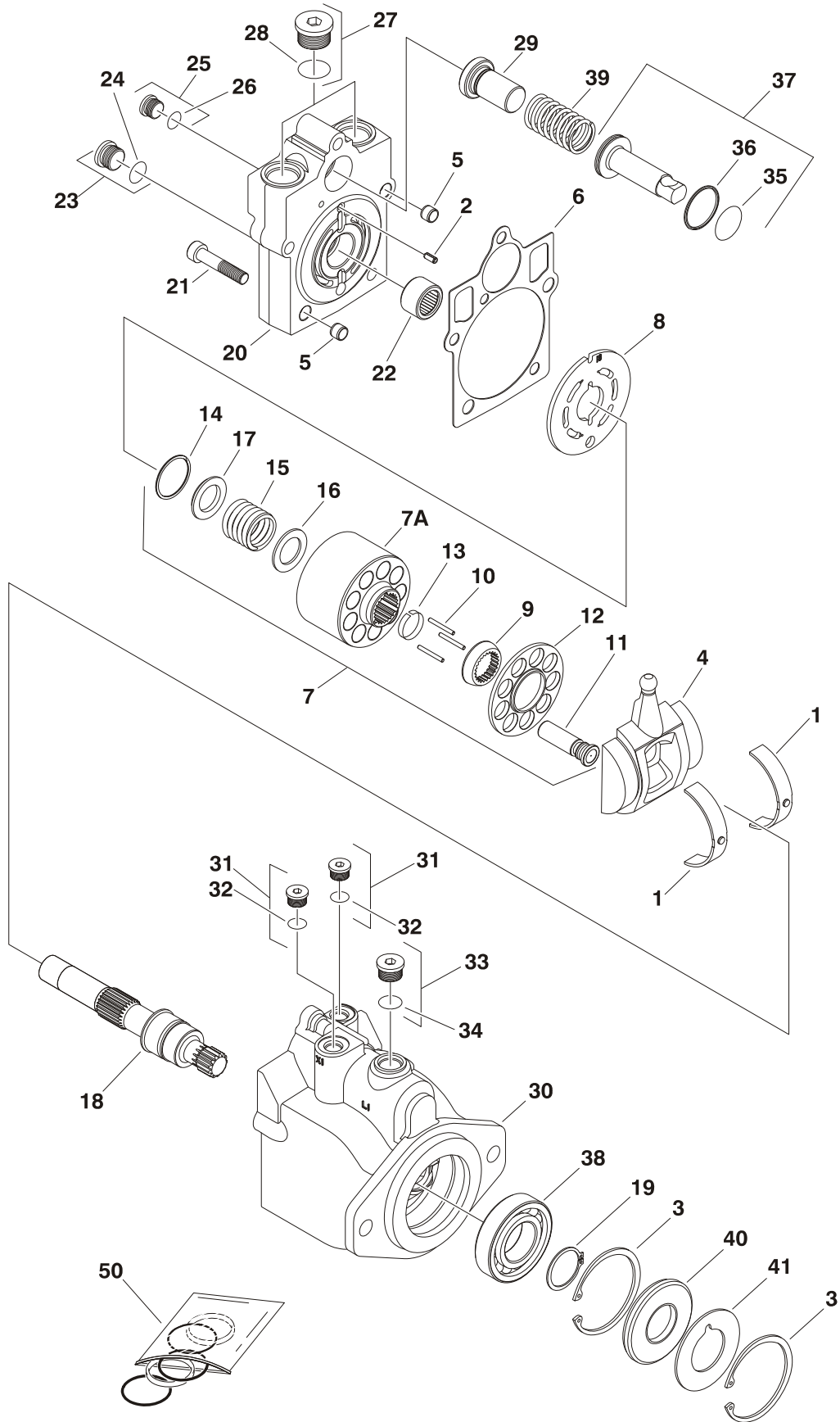


FIGURE 1-4. DRIVE MOTOR ASSEMBLY

| ITEM # | PART NUMBER | QTY. | DESCRIPTION | REV. |
|--------|---------------|------|---|------|
| | | Ref. | DRIVE MOTOR ASSEMBLIES: | |
| | 3160347 | | 2WD | B |
| | 3160348 | | 4WD | B |
| 1 | 7022302 | 2 | Bearing, Journal | |
| 2 | 7007446 | 1 | Pin | |
| 3 | 7007438 | 2 | Ring, Retaining | |
| 4 | | 1 | Swashplate Options: | |
| | 70000794 | | 2WD | |
| | 7022305 | | 4WD | |
| 5 | Not Available | 2 | Pin | |
| 6 | Use Item 50 | 1 | Gasket | |
| 7 | | 1 | Cylinder Block Kit (Includes Items 7A & 9-17) | |
| | 7027740 | | 2WD | |
| | 7023907 | | 4WD | |
| 7A | Not Available | 1 | Block, Cylinder | |
| 8 | | 1 | Plate, Valve Options: | |
| | 7024862 | | 2WD | |
| | 7023908 | | 4WD | |
| 9 | | 1 | Guide, Slipper Retainer Options: | |
| | Not Available | | 2WD | |
| | 7021277 | | 4WD | |
| 10 | 7021275 | 3 | Pin, Slipper Hold Down | |
| 11 | Not Available | 9 | Piston Assembly | |
| 12 | | 1 | Retainer, Slipper Options: | |
| | Not Available | | 2WD | |
| | 7022310 | | 4WD | |
| 13 | | 1 | Retainer, Hold Down Pin Options: | |
| | Not Required | | 2WD | |
| | 7021276 | | 4WD | |
| 14 | 7022311 | 1 | Ring, Retaining | |
| 15 | | 1 | Spring Options: | |
| | 7024867 | | 2WD | |
| | 7022312 | | 4WD | |
| 16 | | 1 | Washer Options: | |
| | 7022313 | | 2WD | |
| | 7024868 | | 4WD | |
| 17 | 7022314 | 1 | Retainer, Spring | |
| 18 | 7023910 | 1 | Shaft | |
| 19 | 7007439 | 1 | Ring, Retaining | |
| 20 | | 1 | Cap, End - Axial Options: | |
| | 70000795 | | 2WD | |
| | 70000797 | | 4WD | |
| 21 | 7022368 | 5 | Screw | |
| 22 | 7021249 | 1 | Bearing, Needle | |
| 23 | 2220886 | 1 | Plug (Includes Item 24) | |
| 24 | Use Item 50 | 1 | O-Ring | |
| 25 | 2220883 | 1 | Plug (Includes Item 26) | |
| 26 | Use Item 50 | 1 | O-Ring | |

SECTION 1 FRAME

FIGURE 1-4. DRIVE MOTOR ASSEMBLY (CONTINUED)

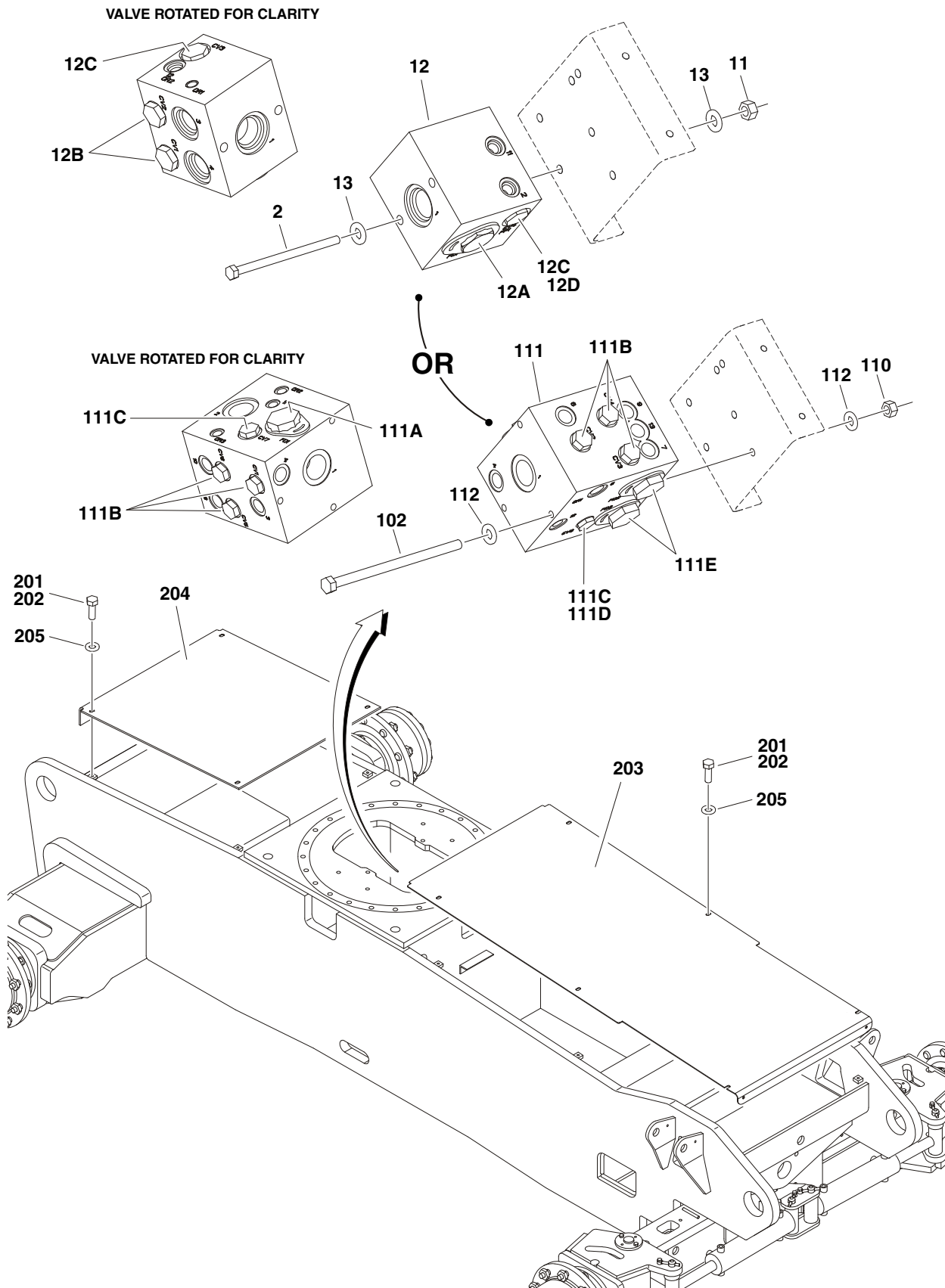
| ITEM # | PART NUMBER | QTY. | DESCRIPTION | REV. |
|----------|---------------|------|---|------|
| 27 | 2220888 | 2 | Plug (Includes Item 28) | |
| 28 | Use Item 50 | 2 | O-Ring | |
| 29 | | 1 | Seat, Spring Options: | |
| | 7027741 | | 2WD | |
| | 7022372 | | 4WD | |
| 30 | Not Available | 1 | Housing | |
| 31 | 2220883 | 2 | Plug (Items Item 32) | |
| 32 | Use Item 50 | 2 | O-Ring | |
| 33 | 2220886 | 1 | Plug (Items Item 34) | |
| 34 | Use Item 50 | 1 | O-Ring | |
| 35 | Use Item 50 | 1 | O-Ring | |
| 36 | Use Item 50 | 1 | Ring, Seal | |
| 37 | | 1 | Piston, Servo Options (Includes Items 35 & 36): | |
| | 7024871 | | 2WD | |
| | 7024854 | | 4WD | |
| 38 | 7007437 | 1 | Bearing | |
| 39 | 7022326 | 1 | Spring | |
| 40 | Use Item 50 | 1 | Seal, Lip | |
| 41 | 7022371 | 1 | Washer, Support | |
| 42 to 49 | Not Used | | | |
| 50 | 7022328 | 1 | Seal Kit (Includes Items 6,24,26,28,32,34,35,36 and 40) | |

FIGURE 1-4. DRIVE MOTOR ASSEMBLY (CONTINUED)

| ITEM # | PART NUMBER | QTY. | DESCRIPTION | REV. |
|--------|-------------|------|-------------|------|
| | | | | |

SECTION 1 FRAME

FIGURE 1-5. DRIVE VALVES & SHIELDS INSTALLATIONS



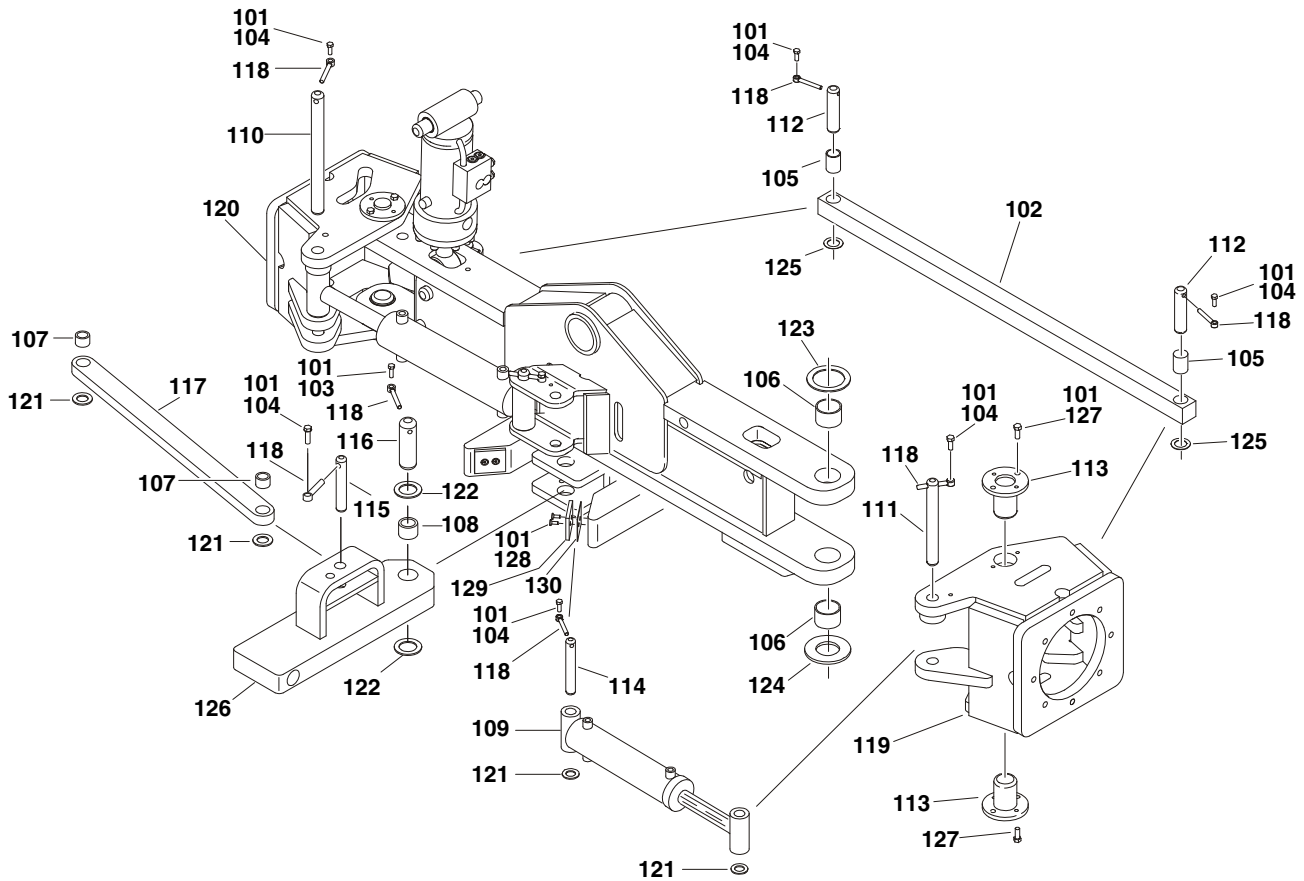
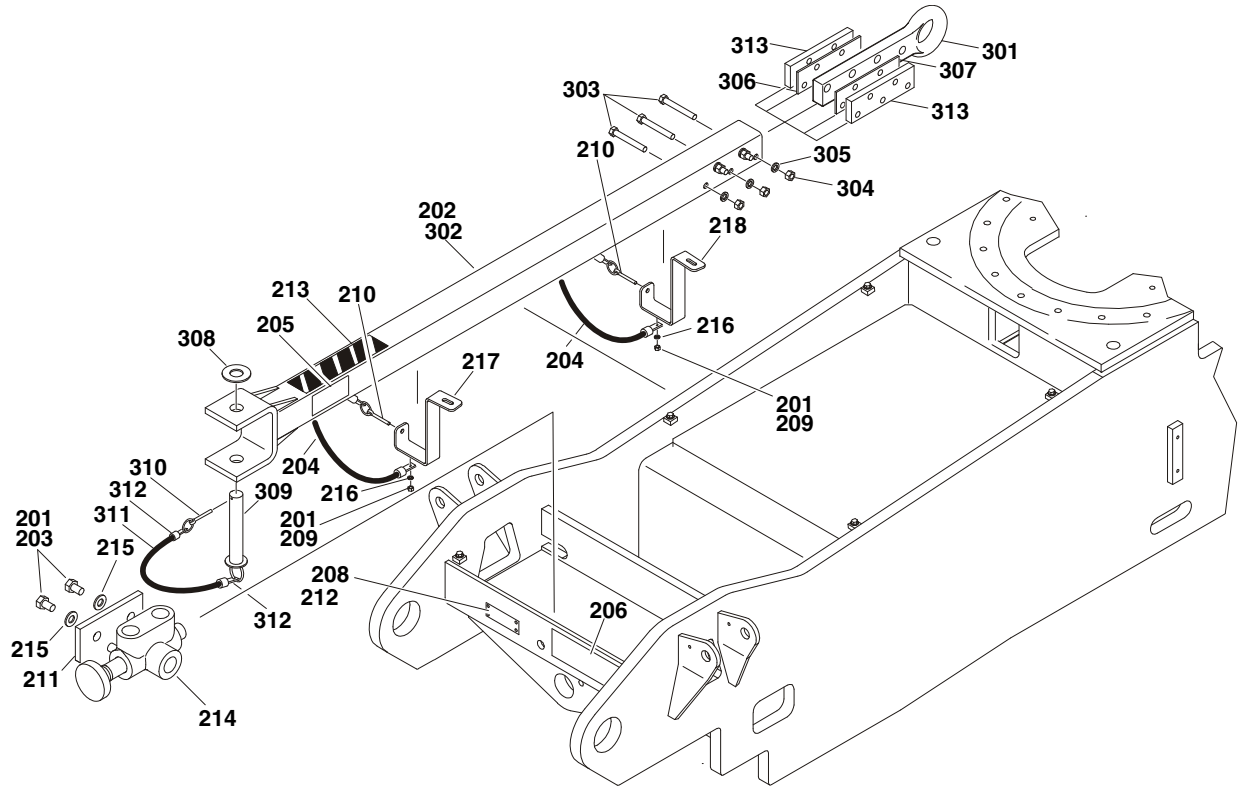
SECTION 1 FRAME

FIGURE 1-5. DRIVE VALVES & SHIELDS INSTALLATIONS

| ITEM # | PART NUMBER | QTY. | DESCRIPTION | REV. |
|------------|--------------|------|--|------|
| | 0273378 | Ref. | DRIVE VALVES INSTALLATION - 2WD | E |
| 1 | Not Used | | | |
| 2 | 0641542 | 2 | Bolt 5/16"-18NC x 5 1/4" | |
| 3 to 10 | Not Used | | | |
| 11 | 3311505 | 2 | Locknut 5/16"-18NC | |
| 12 | 1001099870 | 1 | Flow Divider Valve Assembly | A |
| 12A | 7023933 | 1 | Cartridge, Flow Divider | |
| | 7021625 | 1 | Seal Kit - 7023933 Cartridge | |
| | 70000781 | 1 | Lockdown Kit | |
| 12B | 7022397 | 2 | Cartridge, Check | |
| | 7022399 | 2 | Seal Kit - 7022397 Cartridge | |
| 12C | 70002390 | 2 | Cartridge, Check | |
| | 7022399 | 2 | Seal Kit - 70002390 Cartridge | |
| 12D | 7024881 | 1 | Piston, Pilot | |
| 13 | 4711500 | 4 | Flatwasher 5/16" Narrow | |
| | | Ref. | DRIVE VALVES INSTALLATION | |
| | 0273704 | Ref. | 4WD/2WS | D |
| | 0274232 | Ref. | 4WD/4WS | D |
| 101 | Not Used | | | |
| 102 | 0641560 | 3 | Bolt 5/16"-18NC x 7 1/2" | |
| 103 to 109 | Not Used | | | |
| 110 | 3311505 | 3 | Locknut 5/16"-18NC | |
| 111 | 4641303 | 1 | Flow Divider Valve Assembly | B |
| 111A | 7023933 | 1 | Cartridge, Flow Divider | |
| | 7021625 | 1 | Seal Kit - 7023933 Cartridge | |
| 111B | 7022397 | 6 | Cartridge, Check | |
| | 7022399 | 6 | Seal Kit - 7022397 Cartridge | |
| 111C | 7021639 | 2 | Cartridge, Check Valves | |
| | 2900756 | 2 | Seal Kit - 7022398 Cartridge | |
| 111D | 7024881 | 1 | Piston, Pilot | |
| 111E | 7023917 | 2 | Cartridge, Flow Divider | |
| | 7021625 | 2 | Seal Kit - 7023917 Cartridge | |
| 112 | 4711500 | 6 | Flatwasher 5/16" Narrow | |
| | | Ref. | FRAME SHIELDS INSTALLATIONS | |
| | 0274267 | Ref. | 2WS | A |
| | 0274266 | Ref. | 4WS | A |
| 201 | 0100011 | A/R | Compound, Locking | |
| 202 | 0641608 | A/R | Bolt, 3/8" - 16NC x 1" | |
| 203 | 3575718 | 1 | Plate, Cover Front | |
| 204 | | 1 | Plate, Cover Rear Options: | |
| | Not Required | | 2WS | |
| | 3570690 | | 4WS | |
| 205 | 4751600 | A/R | Flatwasher, 3/8" | |

SECTION 1 FRAME

FIGURE 1-6. TOW PACKAGE INSTALLATION (2WS ONLY) (ANSI & ANSI EXPORT)



SECTION 1 FRAME

FIGURE 1-6. TOW PACKAGE INSTALLATION (2WS ONLY) (ANSI & ANSI EXPORT)

| ITEM # | PART NUMBER | QTY. | DESCRIPTION | REV. |
|----------|-------------|----------|--|------|
| | 0271352 | Ref. | STEERING INSTALLATION | G |
| 1 to 100 | Not Used | | | |
| 101 | 0100011 | A/R | Compound, Locking | |
| 102 | 0362726 | 1 | Tie-Rod | |
| 103 | 0641508 | 1 | Bolt 5/16"-18NC x 1" | |
| 104 | 0641608 | 7 | Bolt 3/8"-16NC x 1" | |
| 105 | 0962152 | 2 | Bearing, Composite | |
| 106 | | 4 | Bearing Options: | |
| | 0962448 | | Bearing, Composite (USA Built Machines S/N 0300140000 to S/N 0300150056 & China Built Machines S/N B300000100 to S/N B300000277) | |
| | 1001112651 | | Bearing, Aluminum Bronze (USA Built Machines S/N 0300150056 to Present & China Built Machines S/N B300000277 to Present) | |
| 107 | 0962292 | 2 | Bearing, Garmax | |
| 108 | 0962348 | 1 | Bearing, Composite | |
| 109 | | 2 | Steer Cylinder Assembly Options (See Section 5 for Breakdown): | |
| | 1683740 | | USA Built Machines S/N 0300140000 to S/N 0300142664 | |
| | 1001097243 | | USA Built Machines S/N 0300142664 to Present & China Built Machines to Present | |
| 110 | 3422567 | 1 | Pin | |
| 111 | 3422701 | 1 | Pin, Steer, Spindle Attach | |
| 112 | 3422702 | 2 | Pin, Tie-Rod | |
| 113 | 3422972 | 4 | Kingpin Options: | |
| 114 | 3422754 | 2 | Pin, Attach | |
| 115 | 3422813 | 1 | Pin | |
| 116 | 3422848 | 1 | Pin, Hitch | |
| 117 | 3573001 | 1 | Plate, Connecting Link | |
| 118 | 3841143 | 8 | Shaft, Keeper 3/8"x 3" | |
| 119 | 4130390 | 1 | Spindle Weldment (Left Side) | |
| 120 | 4130388 | 1 | Spindle Weldment (Right Side) | |
| 121 | 4740111 | 6 | Washer, Special | |
| 122 | 4740155 | 2 | Washer, Thrust | |
| 123 | 4740256 | 4 | Washer, Thrust | |
| 124 | 4740463 | 2 | Washer, Thrust | |
| 125 | 4740473 | 2 | Washer, Special | |
| 126 | 4846935 | 1 | Bar, Pivot | |
| 127 | 0641810 | 16 | Bolt 1/2"-13NC x 1 1/4" | |
| 128 | 0741609 | 4 | Bolt 3/8"-16NC x 1 1/8" | |
| 129 | 3340966 | 2 | Pad, Stop | |
| 130 | 4071059 | A/R | Shim | |
| | 0274252 | Ref. | TOW BAR INSTALLATION | A |
| 201 | 0100011 | A/R | Compound, Locking | |
| 202 | 0232121 | 1 | Tow Bar Assembly (See Items 301 to 313 For Breakdown) | |
| 203 | 0641504 | 2 | Bolt 5/16"-18NC x 1/2" | |
| 204 | 1260017 | 2ft/0.3m | Chain | |
| 205 | 1704578 | 2 | Decal - Crushing | |

SECTION 1 FRAME

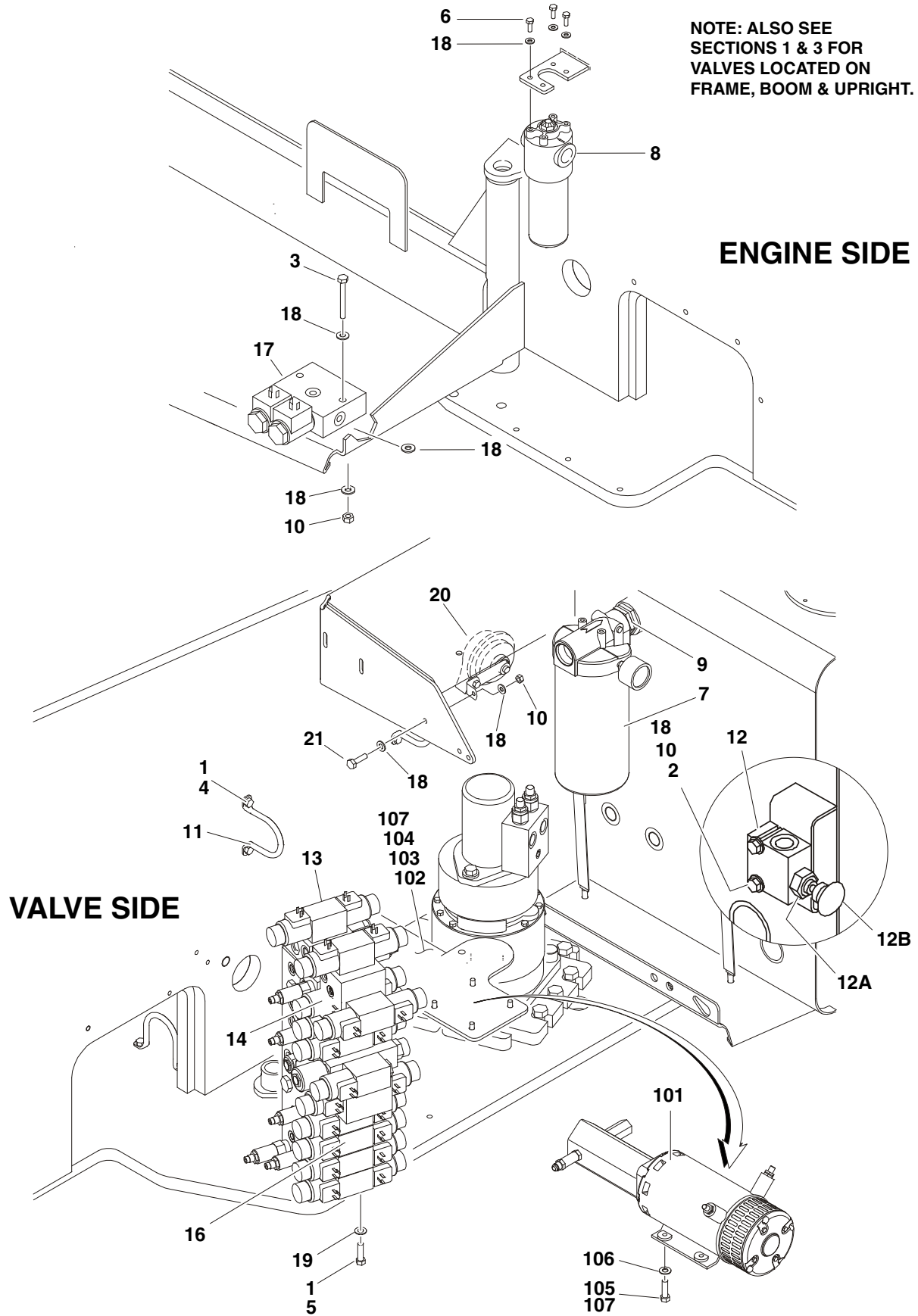
FIGURE 1-6. TOW PACKAGE INSTALLATION (2WS ONLY) (ANSI & ANSI EXPORT)

| ITEM # | PART NUMBER | QTY. | DESCRIPTION | REV. |
|--------|-------------|----------|-----------------------------|------|
| 206 | 1705090 | 1 | Decal - Towing Instructions | |
| 207 | Not Used | | | |
| 208 | 3250872 | 1 | Nameplate - Steer/Tow Valve | |
| 209 | 3311401 | 2 | Nut 1/4"-20NC | |
| 210 | 3420292 | 2 | Pin | |
| 211 | 3539662 | 1 | Plate, Valve Mounting | |
| 212 | 3820001 | 4 | Rivet, Pop | |
| 213 | 4420051 | 2ft/0.3m | Tape | |
| 214 | 4640261 | 1 | Valve, Float Position | |
| 215 | 4711500 | 2 | Flatwasher 5/16" (Narrow) | |
| 216 | 4751400 | 2 | Flatwasher 1/4" (Wide) | |
| 217 | 4846507 | 1 | Bracket | |
| 218 | 4846508 | 1 | Bracket | |
| 219 | 3570686 | 1 | Plate, Cover (Not Shown) | |
| | 0232121 | Ref. | TOW BAR ASSEMBLY | 7/G |
| 301 | 0360406 | 1 | Bar, Draw | |
| 302 | 4843777 | 1 | Bar, Tow | |
| 303 | 0642038 | 5 | Bolt 5/8"-11NC x 4 3/4" | |
| 304 | 3312001 | 5 | Nut 5/8"-11NC | |
| 305 | 4762000 | 5 | Lockwasher 5/8" | |
| 306 | 4070450 | A/R | Shim, Spacer | |
| 307 | 4070561 | A/R | Shim, Spacer | |
| 308 | 4740036 | 1 | Flatwasher 1 1/2" | |
| 309 | 3420447 | 1 | Pin | |
| 310 | 3420372 | 1 | Pin | |
| 311 | 1260135 | 1 | Chain | |
| 312 | 3760170 | 2 | Ring | |
| 313 | 4070560 | 2 | Shim | |

SECTION 2 TURNTABLE

SECTION 2 TURNTABLE

FIGURE 2-1. CONTROL VALVES & HORN INSTALLATIONS



SECTION 2 TURNTABLE

FIGURE 2-1. CONTROL VALVES & HORN INSTALLATIONS

| ITEM # | PART NUMBER | QTY. | DESCRIPTION | REV. |
|--------|---------------|------|---|------|
| | | Ref. | VALVES INSTALLATIONS | |
| | 0274640 | Ref. | 800A (2WS) | D |
| | 0274641 | Ref. | 800A (4WS) | E |
| | 0274642 | Ref. | 800AJ (2WS) | E |
| | 0274643 | Ref. | 800AJ (4WS) | E |
| 1 | 0100011 | A/R | Compound, Locking | |
| 2 | 0641416 | 2 | Bolt 1/4"-20NC x 2" | |
| 3 | 0641418 | 2 | Bolt 1/4"-20NC x 2 1/4" | |
| 4 | 0641606 | 8 | Bolt 3/8"-16NC x 3/4" | |
| 5 | 0641614 | 3 | Bolt 3/8"-16NC x 1 3/4" | |
| 6 | 0651406 | 3 | Bolt 1/4"-28NF x 3/4" | |
| 7 | 2120167 | 1 | Return Filter Assembly | |
| | 2120168 | 1 | Element, Filter | |
| | 7020021 | 1 | Indicator, Clogged | |
| 8 | 2120209 | 1 | Pressure Filter Assembly | |
| | 2120210 | 1 | Element, Filter | |
| | 70000934 | 1 | O-Ring, Filter Bowl | |
| | 7020020 | 1 | Indicator, Clog | |
| 9 | 2220893 | 1 | Fitting, Adapter | |
| 10 | 3311405 | 5 | Locknut 1/4"-20NC | |
| 11 | 3841340 | 4 | Loop, Hose | |
| 12 | 4640866 | 1 | Valve Assembly (Level) | |
| 12A | Not Available | 1 | Cartridge | |
| | 2900708 | 1 | Seal Kit - Cartridge | |
| 12B | 7012959 | 1 | Knob | |
| 13 | | A/R | Valve Assembly (Jib Control) Options: (See Figure 2-3 for Breakdown) | |
| | Not Required | 0 | 800A | |
| | 4640921 | 1 | 800AJ | |
| 14 | | A/R | Valve Assembly (4WS Control) Options: | |
| | Not Required | 0 | 2WS | |
| | 4640922 | 1 | 4WS (See Figure 2-3 for Breakdown) | |
| 15 | Not Used | | | |
| 16 | 4641453 | 1 | Main Control Valve Assembly (See Figure 2-2 for Breakdown) | |
| 17 | | 1 | Combination Valve Assembly (Brake & 2 Speed) | |
| | 4641317 | 1 | Valve Assembly | |
| | 7012944 | 2 | Coil | |
| | 7012941 | 2 | Cartridge without Coil | |
| | 7010543 | 2 | Seal Kit - 7012941 Cartridge (1 Per Cartridge) | |
| 18 | 4711400 | 21 | Flatwasher 1/4" Narrow | |
| 19 | 4711600 | 3 | Flatwasher 3/8" Narrow | |
| 20 | 0140001 | 1 | Horn | |
| 21 | 0641408 | 1 | Bolt 1/4"-20NC x 1" | |
| 22 | | A/R | Harness Assembly (Jib Control) Options (Not Shown - See Section 7 for Breakdown): | |
| | Not Required | 0 | 800A | |
| | 4921927 | 1 | 800AJ | |

SECTION 2 TURNTABLE

FIGURE 2-1. CONTROL VALVES & HORN INSTALLATIONS (CONTINUED)

| ITEM # | PART NUMBER | QTY. | DESCRIPTION | REV. |
|--------|--------------|------|---|------|
| 26 | | A/R | Harness Assembly (4WS Control) Options (Not Shown - See Section 7 for Breakdown): | |
| | Not Required | 0 | 2WS | |
| | 4921928 | 1 | 4WS | |
| | 0258670 | Ref. | AUXILIARY PUMP INSTALLATION | C |
| 101 | 3600458 | 1 | Auxiliary Pump Assembly (See Figure 2-4 for Breakdown) | |
| 102 | 0902415 | 1 | Bracket, Pump Mounting | |
| 103 | 0641610 | 3 | Bolt 3/8"-16NC x 1 1/4" | |
| 104 | 4751600 | 3 | Flatwasher 3/8" | |
| 105 | 0641506 | 4 | Bolt 5/16"-18NC x 3/4" | |
| 106 | 4711500 | 4 | Flatwasher 5/16" Narrow | |
| 107 | 0100011 | A/R | Compound, Locking | |
| | 2901207 | 1 | ----- Band Kit, Auxiliary Power Motor (UL Machines Only) | |

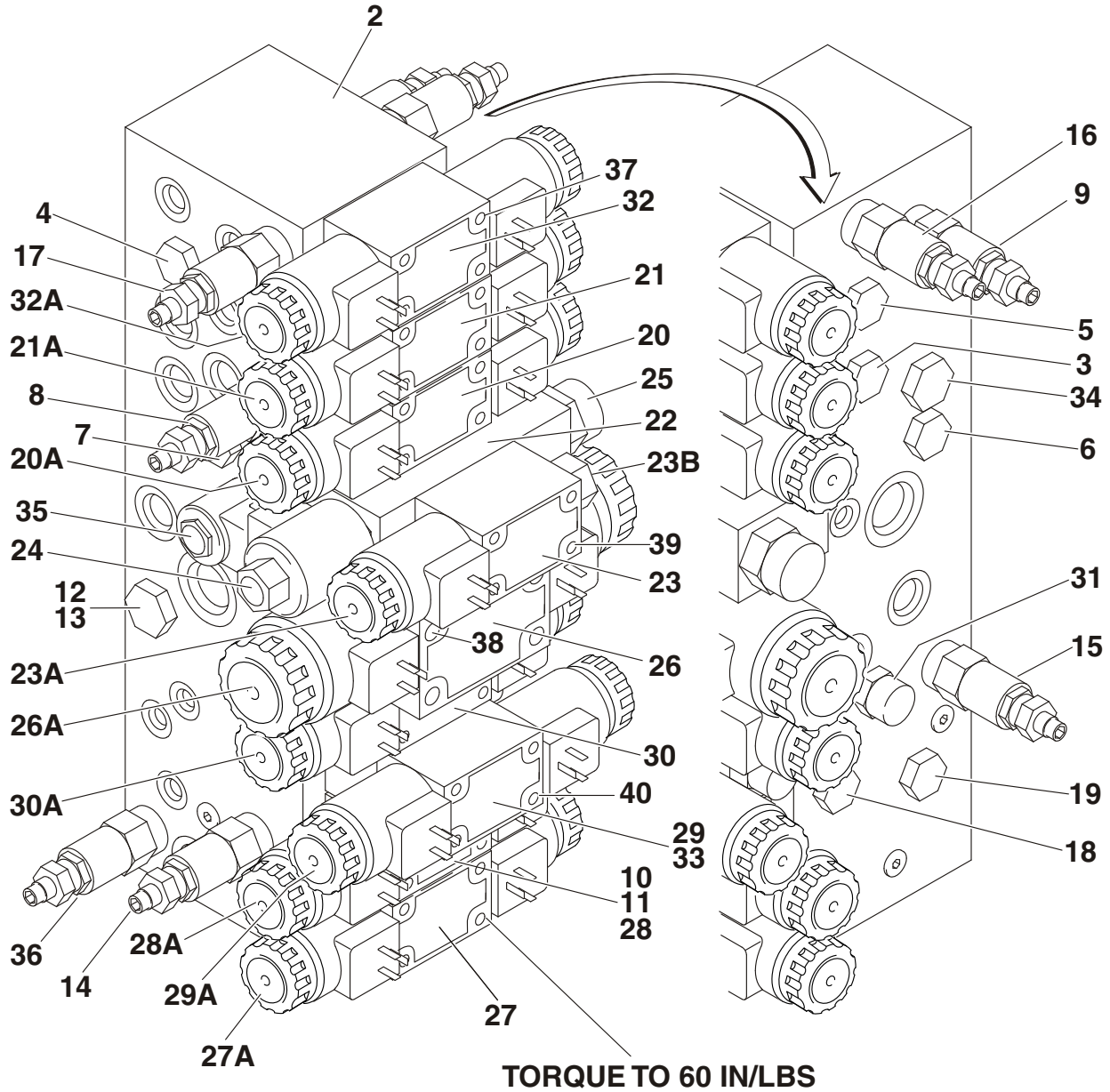
SECTION 2 TURNTABLE

FIGURE 2-1. CONTROL VALVES & HORN INSTALLATIONS (CONTINUED)

| ITEM # | PART NUMBER | QTY. | DESCRIPTION | REV. |
|--------|-------------|------|-------------|------|
| | | | | |

SECTION 2 TURNTABLE

FIGURE 2-2. MAIN CONTROL VALVE ASSEMBLY



SECTION 2 TURNTABLE

FIGURE 2-2. MAIN CONTROL VALVE ASSEMBLY

| ITEM # | PART NUMBER | QTY. | DESCRIPTION | REV. |
|--------|--------------|------|--|------|
| | 4641453 | Ref. | MAIN CONTROL VALVE ASSEMBLY | B |
| 1 | Not Used | | | |
| 2 | Not Serviced | 1 | Block | |
| 3 | 7010542 | 1 | Cartridge, Load Sensing (Main Lift) | |
| | 7010543 | 1 | Seal Kit - 7010542 Cartridge | |
| 4 | 7010542 | 1 | Cartridge, Load Sensing | |
| | 7010543 | 1 | Seal Kit - 7010542 Cartridge | |
| 5 | 7010542 | 1 | Cartridge, Load Sensing (Swing) | |
| | 7010543 | 1 | Seal Kit - 7010542 Cartridge | |
| 6 | 7010542 | 1 | Cartridge, Load Sensing | |
| | 7010543 | 1 | Seal Kit - 7010542 Cartridge | |
| 7 | 7010542 | 1 | Cartridge, Load Sensing (Main) | |
| | 7010543 | 1 | Seal Kit - 7010542 Cartridge | |
| 8 | 7017420 | 1 | Cartridge, Relief Valve (Main Lift) | |
| | 7012998 | 1 | Seal Kit - 7017420 Cartridge | |
| 9 | 7017423 | 1 | Cartridge, Relief Valve (Swing) | |
| | 7012998 | 1 | Seal Kit - 7017420 Cartridge | |
| 10 | 7018941 | 1 | Orifice | |
| 11 | 7018941 | 1 | Orifice | |
| 12 | 4641192 | 1 | Cartridge, Check Valve (Tower Lift) | |
| | 2900708 | 1 | Seal Kit - 4641192 Cartridge | |
| 13 | 7021602 | 1 | Piston, Pilot | |
| 14 | 7017428 | 1 | Cartridge, Relief Valve (Platform Level Down) | |
| | 7012998 | 1 | Seal Kit - 7017428 Cartridge | |
| 15 | 7017427 | 1 | Cartridge, Relief Valve (Platform Level Up) | |
| | 7012998 | 1 | Seal Kit - 7017427 Cartridge | |
| 16 | 7017428 | 1 | Cartridge, Relief Valve (Front Steer) | |
| | 7012998 | 1 | Seal Kit - 7017428 Cartridge | |
| 17 | 7017428 | 1 | Cartridge, Relief Valve (Front Steer) | |
| | 7012998 | 1 | Seal Kit - 7017428 Cartridge | |
| 18 | 7012914 | 1 | Cartridge, Pilot Check (Platform Level) | |
| | 7012918 | 1 | Seal Kit - 7012914 Cartridge | |
| 19 | 7012914 | 1 | Cartridge, Pilot Check (Platform Level) | |
| | 7012918 | 1 | Seal Kit - 7012914 Cartridge | |
| 20 | 7018992 | 1 | Control Valve Assembly (Main Lift) | |
| | 7012773 | 1 | Seal Kit - 7018992 Valve | |
| 20A | 7018991 | 2 | Coil | |
| | 7018912 | 2 | Nut | |
| 21 | 7012775 | 1 | Control Valve Assembly (Swing) | |
| | 7012773 | 1 | Seal Kit - 7012775 Valve | |
| 21A | 7012772 | 2 | Coil | |
| | 7018912 | 2 | Nut | |
| 22 | 70002946 | 1 | Flow Control Manifold Assembly (Main) (Includes Items 24 & 25) | |
| 23 | 7018994 | 1 | Control Valve Assembly (Main) | |
| | 7012773 | 1 | Seal Kit - 7018994 Valve | |
| 23A | 7012772 | 1 | Coil | |
| | 7018912 | 1 | Nut | |
| 23B | 7018993 | 1 | Plug | |

SECTION 2 TURNTABLE

FIGURE 2-2. MAIN CONTROL VALVE ASSEMBLY (CONTINUED)

| ITEM # | PART NUMBER | QTY. | DESCRIPTION | REV. |
|--------|---------------|------|---|------|
| 24 | 7017475 | 1 | Cartridge without Coil | |
| | 7010545 | 1 | Seal Kit - 7017475 Cartridge | |
| | 7000645 | 1 | Coil | |
| 25 | 7021601 | 1 | Cartridge, Flow Regulator (Main) | |
| | 7017477 | 1 | Seal Kit - 7021601 Cartridge | |
| 26 | 70000579 | 1 | Control Valve Assembly (Main Tele) | |
| | 70000583 | 1 | Seal Kit | |
| 26A | 70000582 | 1 | Coil | |
| | 70000580 | 1 | Nut, Coil | |
| 27 | 7012770 | 1 | Control Valve Assembly (Tower Tele) | |
| | 7012773 | 1 | Seal Kit - 7012770 Valve | |
| 27A | 7012772 | 2 | Coil | |
| | 7018912 | 2 | Nut | |
| 28 | 7012770 | 1 | Control Valve Assembly (Platform Level) | |
| | 7012773 | 1 | Seal Kit - 7012770 Valve | |
| 28A | 7012772 | 2 | Coil | |
| | 7018912 | 2 | Nut | |
| 29 | 7012770 | 1 | Control Valve Assembly (Platform Rotate) | |
| | 7012773 | 1 | Seal Kit - 7012770 Valve | |
| 29A | 7012772 | 2 | Coil | |
| | 7018912 | 2 | Nut | |
| 30 | 7012770 | 1 | Control Valve Assembly (Tower Lift) | |
| | 7012773 | 1 | Seal Kit - 7012770 Valve | |
| 30A | 7012772 | 2 | Coil | |
| | 7018912 | 2 | Nut | |
| 31 | 7012989 | 1 | Cartridge, Flow Regulator (Platform Rotate) | |
| | 7012953 | 1 | Seal Kit - 7012989 Cartridge | |
| 32 | 7012774 | 1 | Control Valve Assembly (Front Steer) | |
| | 7012773 | 1 | Seal Kit - 7012774 Valve | |
| 32A | 7012772 | 2 | Coil | |
| | 7018912 | 2 | Nut | |
| 33 | 7021310 | A/R | Valve, Sandwich (Platform Rotate) | |
| | 7018945 | 2 | O-Rings, Replacement - 7021310 Valve | |
| 34 | 7017478 | 1 | Cartridge, Check Valve (Main Pressure) | |
| | 7017477 | 1 | Seal Kit - 7017478 Cartridge | |
| 35 | 7012941 | 1 | Cartridge without Coil (Main Dump) | |
| | 7010543 | 1 | Seal Kit - 7017452 Cartridge | |
| | 7012944 | 1 | Coil | |
| 36 | 7017428 | 1 | Cartridge, Relief Valve (Tower Tele) | |
| | 7012998 | 1 | Seal Kit - 7017428 Cartridge | |
| 37 | 7018942 | 28 | Capscrew #10-24NC x 2" | |
| 38 | 7018951 | 4 | Capscrew 1/4"-20NC x 1 1/2" | |
| 39 | Not Available | 4 | Capscrew #10-24NC x 4 1/2" | |
| 40 | 3931048 | 4 | Capscrew #10-24NC x 3" | |

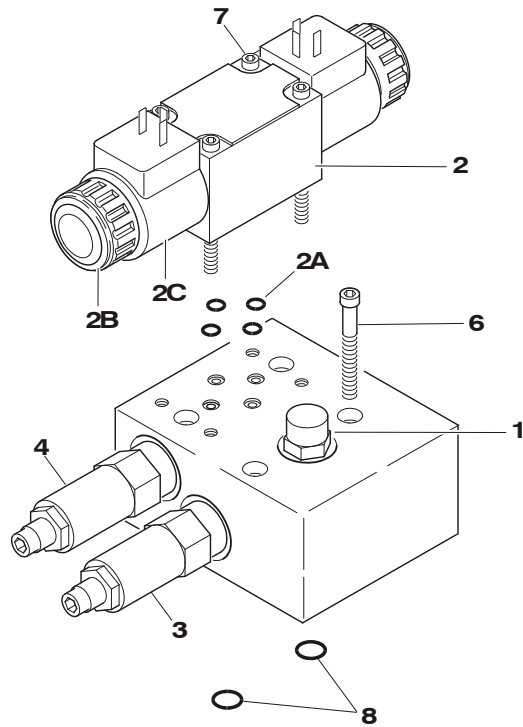
SECTION 2 TURNTABLE

FIGURE 2-2. MAIN CONTROL VALVE ASSEMBLY (CONTINUED)

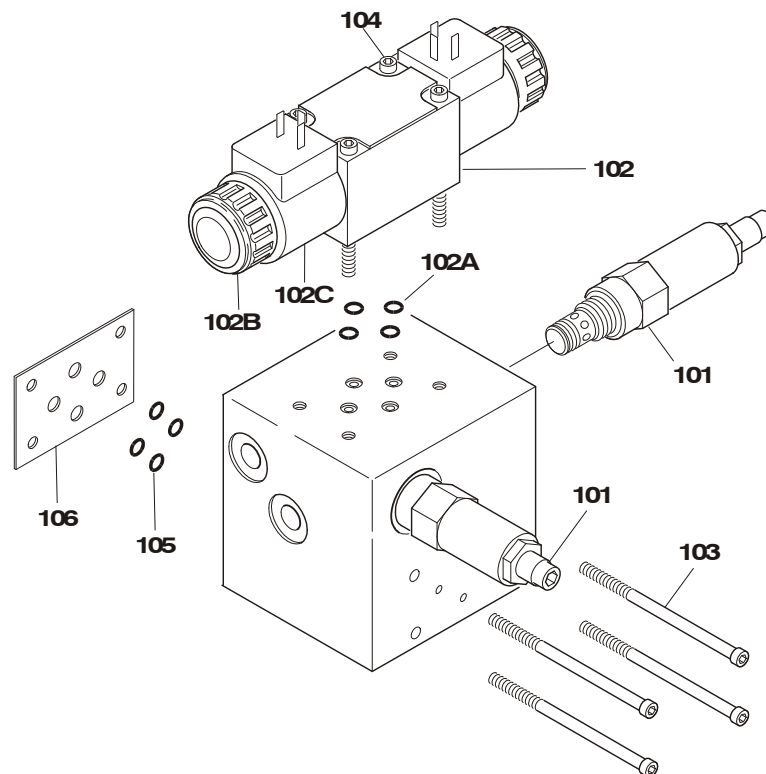
| ITEM # | PART NUMBER | QTY. | DESCRIPTION | REV. |
|--------|-------------|------|-------------|------|
| | | | | |

SECTION 2 TURNTABLE

FIGURE 2-3. ACCESSORY VALVE ASSEMBLY



NOTE: TORQUE ITEMS 6, 7, 103 & 104 TO 60 IN/LBS.



SECTION 2 TURNTABLE

FIGURE 2-3. ACCESSORY VALVE ASSEMBLY

| ITEM # | PART NUMBER | QTY. | DESCRIPTION | REV. |
|--------|-------------|------|--|------|
| | | Ref. | ACCESSORY VALVE ASSEMBLIES | |
| | 4640921 | Ref. | ARTICULATING JIB VALVE ASSEMBLY | D |
| 1 | 7012965 | 1 | Cartridge, Flow Control | |
| | 7012953 | 1 | Seal Kit - 7012965 Cartridge | |
| 2 | 7012770 | 1 | Directional Control Valve Assembly | |
| | 7012773 | 1 | Seal Kit | |
| 2A | 7018945 | 4 | O-Ring | |
| 2B | 7018912 | 2 | Nut | |
| 2C | 7012772 | 2 | Coil | |
| 3 | 7017421 | 1 | Cartridge, Relief | |
| | 7012998 | 1 | Seal Kit - 7017421 Cartridge | |
| 4 | 7017422 | 1 | Cartridge, Relief | |
| | 7012998 | 1 | Seal Kit - 7017422 Cartridge | |
| 5 | 4460499 | 2 | Connector, DIN with Diode (Not Shown - Part of Valve Harness) | |
| 6 | 7012777 | 4 | Capscrew, Socket Head 5/16"-18NC x 2 1/4" (Used to Mount Valve Assembly) | |
| 7 | 7018942 | 4 | Capscrew, Socket Head #10-24NC x 2" | |
| 8 | 7012776 | 2 | O-Ring (Used to Mount Main Valve) | |
| | 4640922 | Ref. | 4WS VALVE ASSEMBLY | B |
| 101 | 7017420 | 1 | Cartridge, Relief | |
| | 7012998 | 1 | Seal Kit - 7017420 Cartridge | |
| 102 | 7012774 | 1 | Directional Control Valve Assembly | |
| | 7012773 | 1 | Seal Kit | |
| 102A | 7018945 | 4 | R-Ring | |
| 102B | 7018912 | 2 | Nut | |
| 102C | 7012772 | 2 | Coil | |
| 103 | 7018946 | 4 | Capscrew, Socket Head #10-24NC x 5" (Used to Mount Main Valve) | |
| 104 | 7018942 | 4 | Capscrew, Socket Head #10-24NC x 2" | |
| 105 | 7018948 | 4 | O-Ring (Used to Mount Main Valve) | |
| 106 | 7018947 | 1 | Plate, O-Ring | |

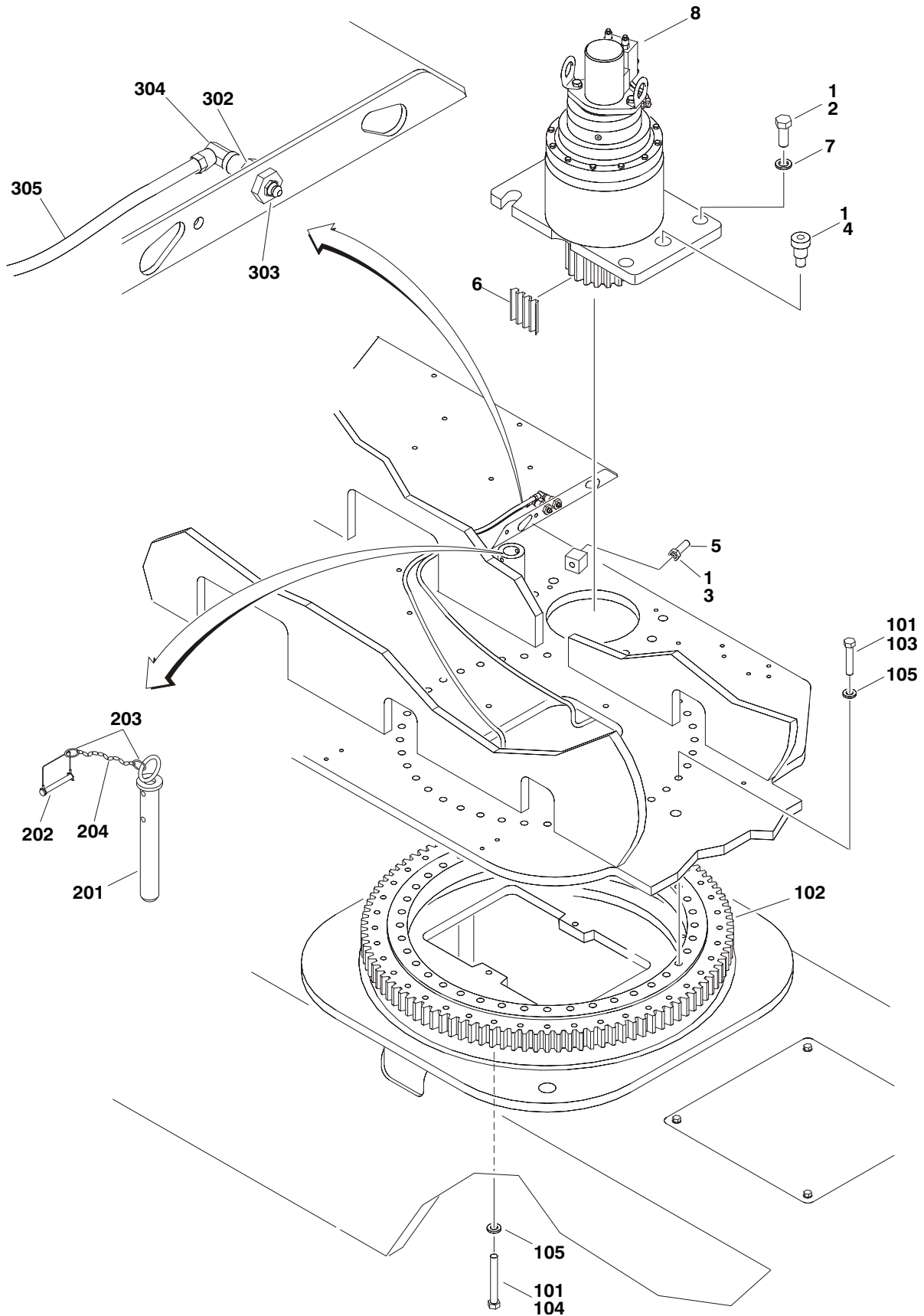
SECTION 2 TURNTABLE

FIGURE 2-4. AUXILIARY PUMP ASSEMBLY

| ITEM # | PART NUMBER | QTY. | DESCRIPTION | REV. |
|----------|---------------|------|---|------|
| | 3600458 | Ref. | AUXILIARY PUMP ASSEMBLY | B |
| 1 | 70001059 | 1 | Motor, DC | |
| 2 | See Note | 2 | Coupling, Half (Note: Use Items 41 & 42.) | |
| 3 | See Note | 2 | Washer (Note: Use Items 41 & 42.) | |
| 4 | See Note | 2 | Lockwasher (Note: Use Items 41 & 42.) | |
| 5 | See Note | 2 | Screw (Note: Use Items 41 & 42.) | |
| 6 | See Note | 1 | Bushing (Note: Use Items 41 & 42.) | |
| 7 | See Note | 1 | Spider (Note: Use Items 41 & 42.) | |
| 8 | 7011044 | 1 | Gasket, Mounting | |
| 9 | 7010903 | 1 | Seal, Shaft | |
| 10 | Not Available | 1 | Stator | |
| 11 | 7011048 | 4 | Washer | |
| 12 | 70001060 | 4 | Screw | |
| 13 | 70001061 | 1 | Kit Gasket | |
| 14 | 70001062 | 1 | Shaft, Drive | |
| 15 | 70001063 | 1 | Key | |
| 16 | 70000970 | 4 | Ring, Retaining | |
| 17 | 70001064 | 2 | Gear | |
| 18 | Not Available | 1 | Housing, Gear | |
| 19 | Not Available | 1 | Plug | |
| 20 | Not Available | 4 | Screw | |
| 21 | Not Available | 2 | Bushing, Dowel | |
| 22 | Not Available | 1 | Block, Valve | |
| 23 | 7011043 | 4 | Screw | |
| 24 | 70000976 | 4 | Bearing, Needle | |
| 25 | 70001065 | 1 | Pin | |
| 26 | 70001066 | 1 | Shaft, Idler | |
| 27 | Not Available | 1 | Ball | |
| 28 | Not Available | 1 | Spring | |
| 29 | 7011008 | 1 | Spring | |
| 30 | Use Item 40 | 1 | Gasket | |
| 31 | Not Available | 1 | Screw Adjustment | |
| 32 | Not Available | 1 | Bolt | |
| 33 | 7011022 | 2 | O-Ring | |
| 34 | 70001067 | 1 | Valve, Logic | |
| 35 | Not Available | 1 | Label | |
| 36 | Not Available | 2 | Pin, Shear | |
| 37 to 39 | Not Used | | | |
| 40 | 70001069 | 1 | Seal Kit, Pump (Includes Items 8, 9, 30 & 33) | |
| 41 | 70001068 | 1 | Motor & Coupling Kit, Replacement (Includes Items 1-8, 11 & 12) | |
| 42 | 7010944 | 1 | Coupling Kit (Includes Items 2-7) | |

SECTION 2 TURNTABLE

FIGURE 2-5. TURNTABLE BEARING AND SWING DRIVE INSTALLATION



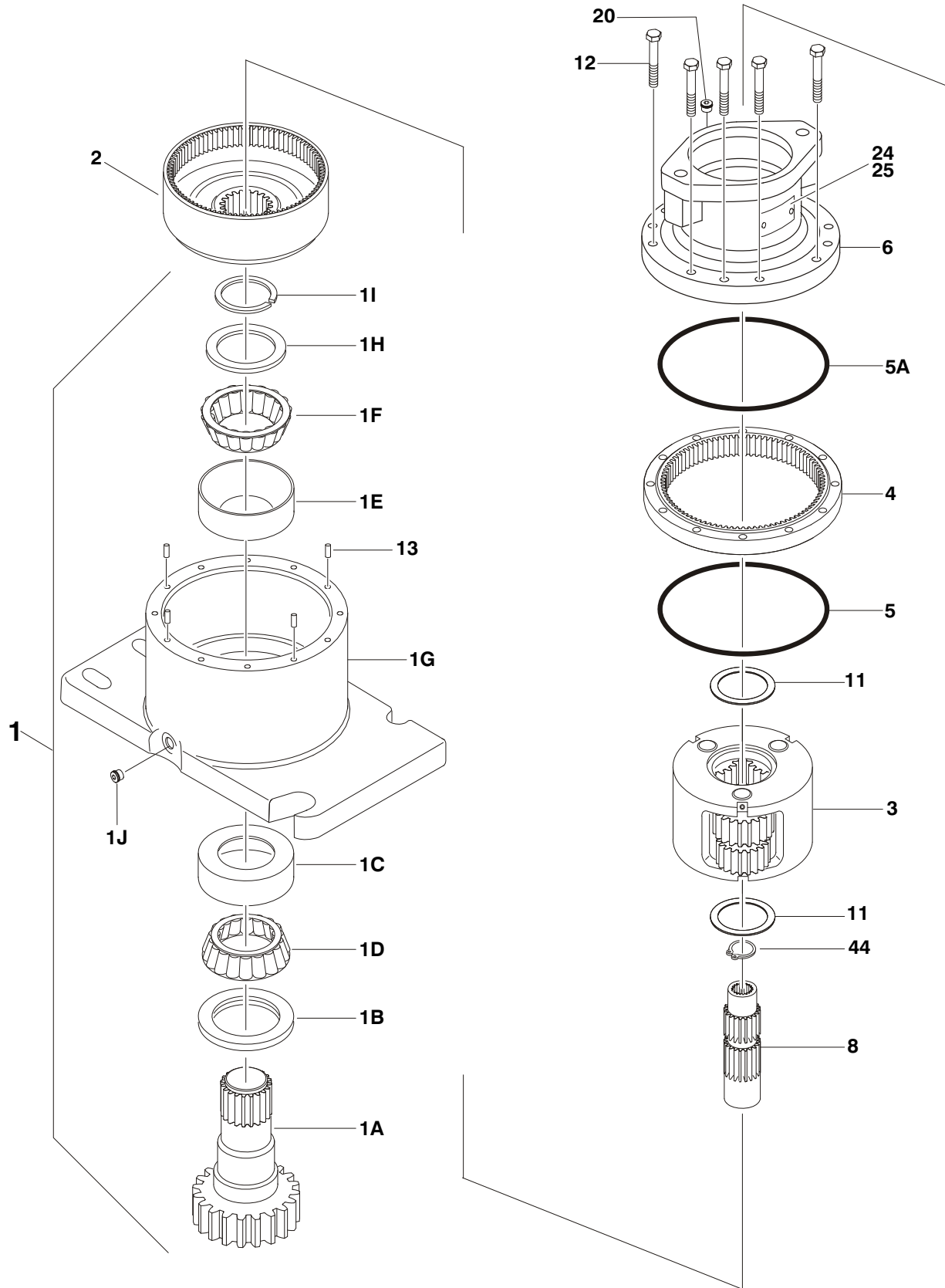
SECTION 2 TURNTABLE

FIGURE 2-5. TURNTABLE BEARING AND SWING DRIVE INSTALLATION

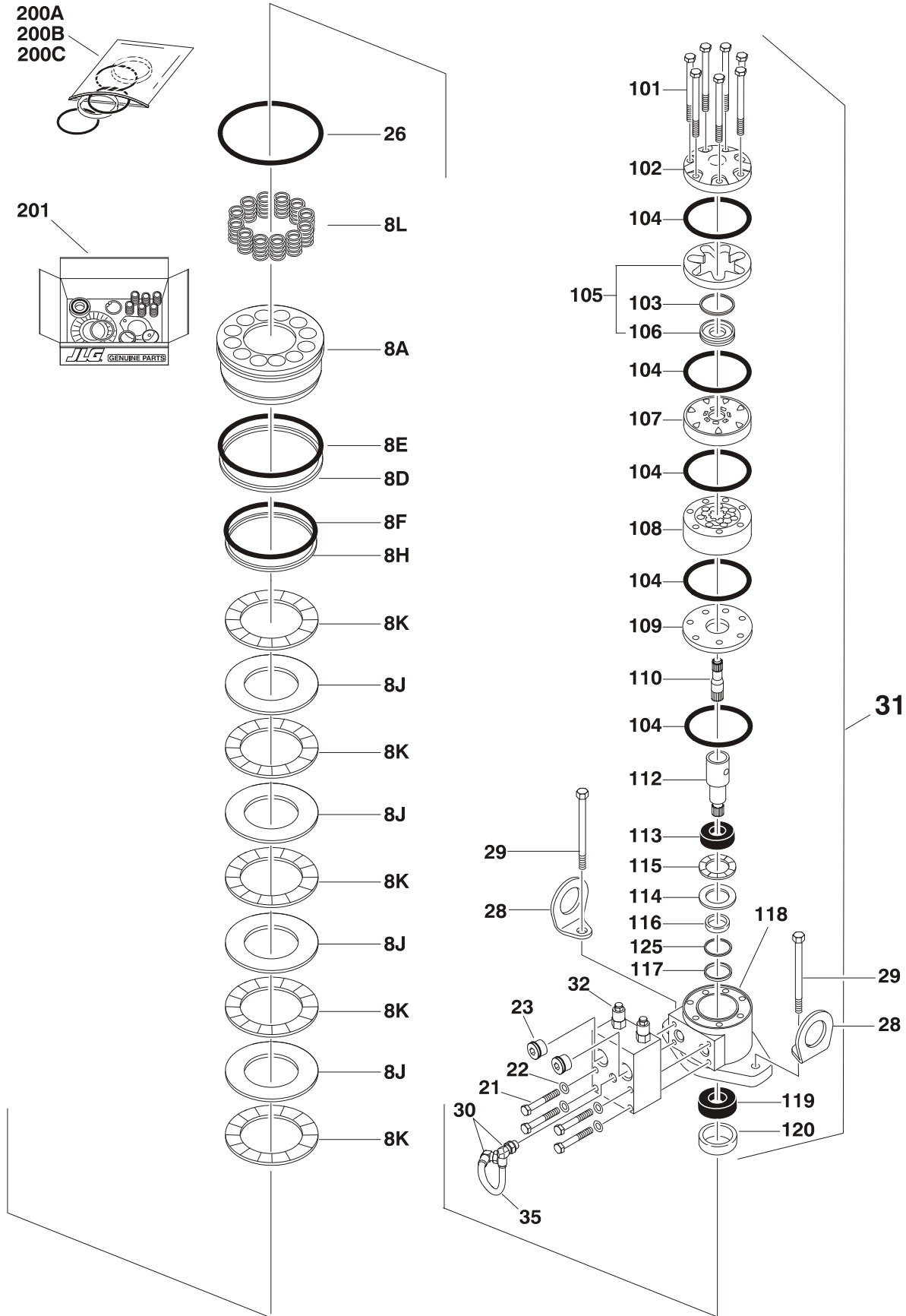
| ITEM # | PART NUMBER | QTY. | DESCRIPTION | REV. |
|--------|-------------|----------|--|------|
| | | Ref. | TURNTABLE WELDMENT | |
| | 4620135 | Ref. | Standard Machines | |
| | 1001094889 | Ref. | SWING DRIVE INSTALLATION | B |
| 1 | 0100019 | A/R | Compound, Locking | |
| 2 | 0682216 | 4 | Bolt 3/4" - 10NC x 2" (Grade 8) | |
| 3 | 3312002 | 1 | Nut Jam 5/8" - 11NC | |
| 4 | 3900293 | 1 | Screw, Shoulder | |
| 5 | 3952020 | 1 | Setscrew 5/8" x 2 | |
| 6 | 4071009 | 1 | Shim | |
| 7 | 4740057 | 4 | Hardened, Washer | |
| 8 | 1001101060 | 1 | Motor, Swing Assembly (See Figure 2-6 for Breakdown) | |
| | 0271002 | Ref. | SWING BEARING INSTALLATION | E |
| 101 | 0100019 | A/R | Compound, Locking | |
| 102 | 0440244 | 1 | Bearing, Turntable | |
| 103 | 0682023 | 24 | Bolt 5/8" - 11NC x 2 7/8" (Grade 8) | |
| 104 | 0682032 | 24 | Bolt 5/8" - 11NC x 4" (Grade 8) | |
| 105 | 4892000 | 48 | Flatwasher, Hardened | |
| | 0259147 | Ref. | TURNTABLE LOCK INSTALLATION | B |
| 201 | 4844958 | 1 | Weldment, Pin | |
| 202 | 3421565 | 1 | Pin, Snap | |
| 203 | 3760170 | 2 | Ring, Quick Release | |
| 204 | 1260017 | 9in/23cm | Chain | |
| | 0255316 | Ref. | REMOTE BEARING LUBE INSTALLATION | 3 |
| 301 | Not Used | | | |
| 302 | 2180344 | 1 | Fitting, Bulkhead | |
| 303 | 2160003 | 1 | Fitting, Grease 45° | |
| 304 | 2220063 | 1 | Fitting, 90° | |
| 305 | 2751032 | 1 | Hose, Grease | |

SECTION 2 TURNTABLE

FIGURE 2-6. SWING MOTOR/HUB ASSEMBLY



SECTION 2 TURNTABLE



SECTION 2 TURNTABLE

FIGURE 2-6. SWING MOTOR/HUB ASSEMBLY

| ITEM # | PART NUMBER | QTY. | DESCRIPTION | REV. |
|----------|---------------|------|--|------|
| | 1001101060 | Ref. | SWING MOTOR/HUB ASSEMBLY | A |
| 1 | Not Available | 1 | Housing/Shaft Assembly | |
| 1A | 7010492 | 1 | Shaft, Output | |
| 1B | 7000228 | 1 | Seal, Lip | |
| 1C | 7000255 | 1 | Bearing Kit (Includes Cup & Cone) | |
| 1D | Not Used | | | |
| 1E | 7000257 | 1 | Bearing Kit (Includes Cup & Cone) | |
| 1F | Not Used | | | |
| 1G | 7024762 | 1 | Housing | |
| 1H | 7007633 | 1 | Washer, Thrust | |
| 1I | 7000229 | 1 | Ring, Retaining | |
| 1J | 7017072 | 1 | Plug, Pipe | |
| 2 | 7000246 | 1 | Gear, Internal | |
| 3 | 80424002 | 1 | Carrier Assembly | |
| 4 | 7000248 | 1 | Gear, Ring | |
| 5 | 7000230 | 1 | O-Ring | |
| 5A | 7017070 | 1 | O-Ring | |
| 6 | Not Available | 1 | Housing, Brake | |
| 7 | Not Used | | | |
| 8 | 70002065 | 1 | Gear, Sun | |
| 8A | 70000782 | 1 | Piston | |
| 8B to 8C | Not Used | | | |
| 8D | 70002070 | 1 | O-Ring | |
| 8E | 70002071 | 1 | Ring, Back-up | |
| 8F | 70002073 | 1 | O-Ring | |
| 8G | Not Used | | | |
| 8H | 70002072 | 1 | Ring, Back-up | |
| 8I | Not Used | | | |
| 8J | 70002067 | 4 | Disc, Rotor | |
| 8K | 70002068 | 5 | Disc, Stator | |
| 8L | 70002066 | 14 | Spring | |
| 9 to 10 | Not Used | | | |
| 11 | 7000253 | 2 | Washer, Thrust | |
| 12 | 7000217 | 12 | Bolt 3/8"-16NC x 2 1/4" (Grade 8) | |
| 13 | 7017080 | 4 | Pin, Dowel | |
| 14 to 19 | Not Used | | | |
| 20 | 7017072 | 1 | Plug, Pipe | |
| 21 | 7024704 | 4 | Bolt 5/16"-18NC x 2" (Grade 8) | |
| 22 | Not Available | 4 | Lockwasher | |
| 23 | 7017023 | 2 | Plug, Pipe | |
| 24 | Not Available | 1 | Plate, ID | |
| 25 | 7000281 | 2 | Screw, Drive | |
| 26 | 7024763 | 1 | O-Ring | |
| 27 | Not Used | | | |
| 28 | Not Available | 2 | Lug, Lifting | |
| 29 | 70002069 | 2 | Bolt 1/2"-13NC x 2" (Grade 8) | |
| 30 | 7017085 | 2 | Elbow | |
| 31 | 70002075 | 1 | Motor Assembly (See Items 101-125 for Breakdown) | |

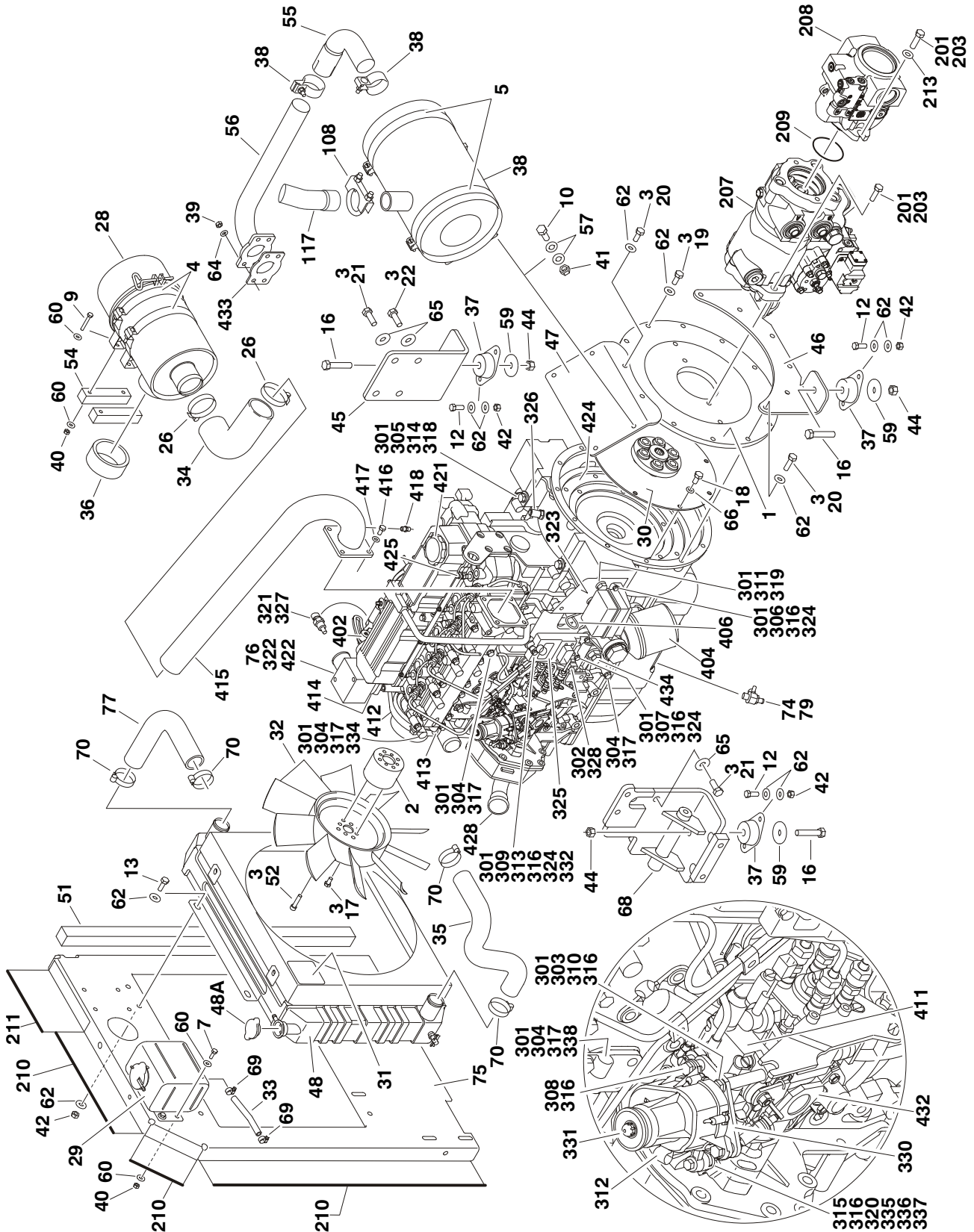
SECTION 2 TURNTABLE

FIGURE 2-6. SWING MOTOR/HUB ASSEMBLY (CONTINUED)

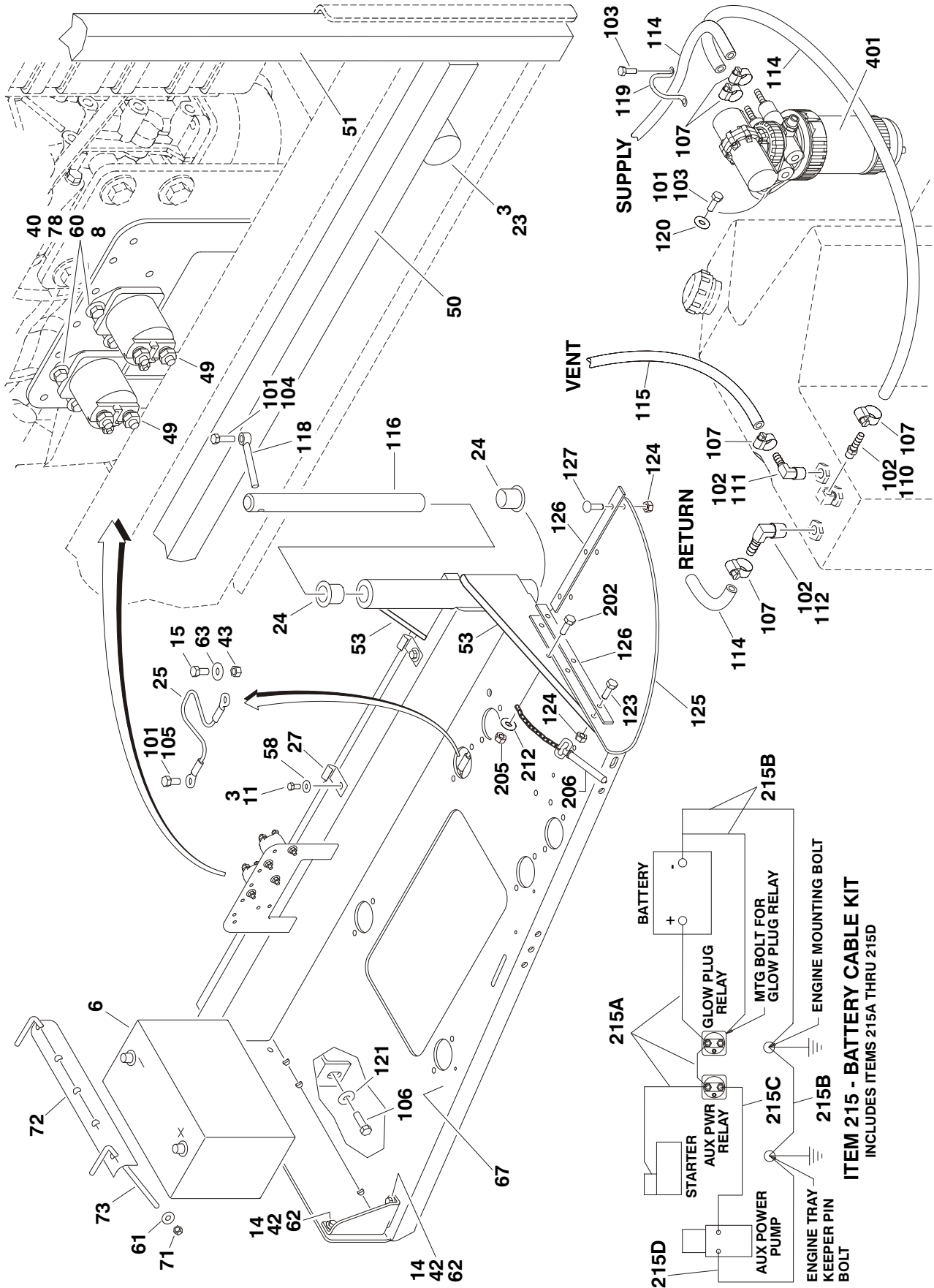
| ITEM # | PART NUMBER | QTY. | DESCRIPTION | REV. |
|------------|-------------|------|--|------|
| 32 | 7024784 | 1 | Valve Assembly - Complete (No Serviceable Parts) | |
| 33 to 34 | Not Used | | | |
| 35 | 70002074 | 1 | Tube | |
| 36 to 43 | Not Used | | | |
| 44 | 7017028 | 1 | Ring, Internal Retaining | |
| | 70002075 | Ref. | MOTOR ASSEMBLY | |
| 101 | 7024454 | 5 | Bolt | |
| 102 | 7004035 | 1 | Cover, End | |
| 103 | 7023318 | 1 | Seal, Commutator | |
| 104 | 7004036 | 5 | Seal, Ring | |
| 105 | 7024453 | 1 | Commutator and Ring Assembly | |
| 106 | Use 7024453 | 1 | Ring | |
| 107 | 7024379 | 1 | Manifold | |
| 108 | 7024455 | 1 | Rotor Set | |
| 109 | 7024380 | 1 | Plate, Wear | |
| 110 | 7024456 | 1 | Link, Drive | |
| 111 | Not Used | | | |
| 112 | 7024458 | 1 | Shaft, Coupling | |
| 113 | 7024381 | 1 | Bearing, Inner | |
| 114 | 7004043 | 1 | Washer, Thrust | |
| 115 | 7004044 | 1 | Bearing, Thrust | |
| 116 | 7004049 | 1 | Seal, Inner | |
| 117 | 7004045 | 1 | Washer, Back-up | |
| 118 | 7024457 | 1 | Housing | |
| 119 | 7024390 | 1 | Bearing, Outer | |
| 120 | 7004047 | 1 | Seal | |
| 121 to 124 | Not Used | | | |
| 125 | 80424043 | 1 | Washer, Back-up | |
| | | Ref. | KIT OPTIONS: | |
| 200 | | 1 | Seal Kit Options: | |
| 200A | 7024100 | | Swing Hub (Includes Items 1B, 1I, 5, 5A & 11) | |
| 200B | 70002086 | | Swing Brake (Includes Items 8D, 8E, 8F, 8H & 26) | |
| 200C | 7024396 | | Swing Motor (Includes Items 103, 104, 116, 117, 120 & 125) | |
| 201 | 70002085 | 1 | Disc Kit - Swing Brake (Includes Items 8J & 8K) | |

SECTION 2 TURNTABLE

FIGURE 2-7. CATERPILLAR ENGINE INSTALLATION



SECTION 2 TURNTABLE



ITEM 215 - BATTERY CABLE KIT
INCLUDES ITEMS 215A THRU 215D

SECTION 2 TURNTABLE

FIGURE 2-7. CATERPILLAR ENGINE INSTALLATION

| ITEM # | PART NUMBER | QTY. | DESCRIPTION | REV. |
|--------|-------------|-------|---|------|
| | 1001109065 | Ref. | CATERPILLAR TIER IVi ENGINE ASSEMBLY | D |
| 1 | 0080181 | 1 | Adapter, Pump Mounting Plate | |
| 2 | 0080243 | 1 | Adapter, Fan Spacer | |
| 3 | 0100011 | A/R | Compound, Locking | |
| 4 | 0340041 | 2 | Band, Mounting | |
| 5 | 0340046 | 2 | Band, Muffler | |
| 6 | 0400075 | 1 | Battery | |
| 7 | 0641406 | 4 | Bolt 1/4"-20NC x 3/4" | |
| 8 | 0641407 | 4 | Bolt 1/4"-20NC x 7/8" | |
| 9 | 0701414 | 4 | Bolt 1/4"-20NC x 3/4" | |
| 10 | 0641507 | 4 | Bolt 5/16"-18NC x 7/8" | |
| 11 | 0641606 | 2 | Bolt 3/8"-16NC x 3/4" | |
| 12 | 0641608 | 8 | Bolt 3/8-16NC x 1" | |
| 13 | 0641609 | 4 | Bolt 3/8-16NC x 1 1/8" | |
| 14 | 0641610 | 4 | Bolt 3/8-16NC x 1 1/4" | |
| 15 | 0641808 | 1 | Bolt 1/2"-13NC x 1" | |
| 16 | 0641820 | 4 | Bolt 1/2"-13NC x 2 1/2" | |
| 17 | 0700808 | 4 | Bolt M8 x 16mm | |
| 18 | 0701010 | 8 | Bolt M10 x 20mm | |
| 19 | 0701012 | 4 | Bolt M10 x 25mm | |
| 20 | 0701015 | 8 | Bolt M10 x 35mm | |
| 21 | 0711214 | 5 | Bolt M12 x 30mm | |
| 22 | 0771212 | 3 | Bolt M12 x 25mm | |
| 23 | 0940070 | 1 | Bumper, Rubber | |
| 24 | 0961986 | 2 | Bearing, Flange | |
| 25 | 1060637 | 1 | Lanyard | |
| 26 | 1320016 | 2 | Clamp, Hose | |
| 27 | 1320223 | 4 | Clamp | |
| 28 | 1340060 | 1 | Air Cleaner Assembly | |
| | 7012664 | 1 | Element, Air Cleaner | |
| 29 | 1580011 | 1 | Container, Coolant Overflow | |
| 30 | 1660239 | 1 | Coupling, Pump | |
| 31 | 1703162 | 2 | Decal - Fan Blade | |
| 32 | 2060025 | 1 | Fan | |
| 33 | 2720058 | .33ft | Hose | |
| 34 | 2720434 | 1 | Elbow, Rubber | |
| 35 | 2720509 | 1 | Hose, Radiator (Bottom) | |
| 36 | 2720515 | 1 | Seal, Air Cleaner | |
| 37 | 3200406 | 4 | Mount, Engine | |
| 38 | | 1 | Muffler Options: | |
| | 3220113 | | Muffler, Spark Arresting (Standard) | |
| | 70001017 | 1 | Clamp (Used on p/n 3220113) | |
| | 1001107116 | | Muffler, Catalytic (Optional) | |
| | 70002705 | 1 | Clamp | |
| | 70002706 | 1 | Plug | |
| 39 | 3290801 | 4 | Nut M8 | |
| 40 | 3311405 | 12 | Locknut 1/4"-20NC | |
| 41 | 3311505 | 4 | Locknut 5/16"-18NC | |

SECTION 2 TURNTABLE

FIGURE 2-7. CATERPILLAR ENGINE INSTALLATION (CONTINUED)

| ITEM # | PART NUMBER | QTY. | DESCRIPTION | REV. |
|--------|-------------|-----------|--|------|
| 42 | 3311605 | 16 | Locknut 3/8"-16NC | |
| 43 | 3311801 | 1 | Nut 1/2"-13NC | |
| 44 | 3311805 | 4 | Locknut 1/2"-13NC | |
| 45 | 3574206 | 1 | Plate, Motor Mount | |
| 46 | 3574207 | 1 | Plate, Engine Mount (Rear) | |
| 47 | 3574208 | 1 | Bracket, Muffler | |
| 48 | 3620047 | 1 | Radiator | |
| 48A | 7027412 | 1 | Cap, Radiator | |
| 49 | 3740067 | 2 | Relay, Solenoid Assembly | |
| 50 | 3960468 | 1 | Seal, Foam Gasket | |
| 51 | 3960469 | 1 | Seal, Foam Gasket | |
| 52 | 4031911 | 4 | Bolt M8 x 35mm | |
| 53 | 4060805 | 2ft/0.7mm | Flex-Trim 1/4" | |
| 54 | 4220191 | 2 | Block, Spacer | |
| 55 | 4567073 | 1 | Tube, Exhaust | |
| 56 | 4568721 | 1 | Exhaust Tube Weldment | |
| 57 | 4711500 | 8 | Flatwasher 5/16" (Narrow) | |
| 58 | 4711600 | 2 | Flatwasher 3/8" Narrow | |
| 59 | 4740274 | 4 | Washer, Snubbing | |
| 60 | 4751400 | 24 | Flatwasher 1/4" | |
| 61 | 4751500 | 2 | Flatwasher 5/16" | |
| 62 | 4751600 | 44 | Flatwasher 3/8" | |
| 63 | 4751800 | 1 | Flatwasher 1/2" | |
| 64 | 4811900 | 4 | Flatwasher 8mm | |
| 65 | 4812100 | 8 | Flatwasher 12mm | |
| 66 | 4832000 | 8 | Lockwasher 10mm | |
| 67 | 4846790 | 1 | Tray Engine | |
| 68 | 4846805 | 1 | Mount, Engine/Generator - Left | |
| 69 | 8405009 | 2 | Clamp, Hose | |
| 70 | 8405104 | 4 | Clamp, Hose | |
| 71 | 88521205 | 2 | Locknut 5/16"-18NC | |
| 72 | 91401281 | 1 | Hold-Down, Battery | |
| 73 | 1001093382 | 2 | Rod, Hold-Down | |
| 74 | 4640750 | 1 | Valve, Oil Drain (was p/n 1001105833) | |
| 75 | 1001109595 | 1 | Plate, Radiator Mounting | |
| 76 | 1001112077 | 1 | Caterpillar Tier IVi Engine Assembly | |
| 77 | 1001107705 | 1 | Hose, Radiator (Top) | |
| 78 | 4791400 | 4 | Starwasher 1/4" | |
| 79 | 0100020 | A/R | Sealant, Thread | |
| | | Ref. | CATERPILLAR TIER IVi ENGINE INSTALLATIONS | |
| | 1001110215 | Ref. | Without Arctic Package | D |
| | 1001110214 | Ref. | With Arctic Package | C |
| 101 | 0100011 | A/R | Compound, Locking | |
| 102 | 0100020 | A/R | Sealant, Thread | |
| 103 | 0641608 | 8 | Bolt 3/8-16NC x 1" | |
| 104 | 0641610 | 1 | Bolt 3/8-16NC x 1 1/4" | |
| 105 | 0641808 | 1 | Bolt 1/2"-13NC x 1" | |

SECTION 2 TURNTABLE

FIGURE 2-7. CATERPILLAR ENGINE INSTALLATION (CONTINUED)

| ITEM # | PART NUMBER | QTY. | DESCRIPTION | REV. |
|------------|-------------|-----------|--|------|
| 106 | 0642010 | 1 | Bolt 5/8"-11NC x 1 1/4" | |
| 107 | 1320022 | 7 | Clamp, Hose | |
| 108 | 1320176 | 1 | Clamp, Saddle | |
| 109 | 1701505 | 1 | Decal - Diesel (Not Shown - Located on Hood) | |
| 110 | 2180348 | 1 | Fitting | |
| 111 | 2220313 | 1 | Fitting,90° | |
| 112 | 2221176 | 1 | Fitting | |
| 113 | | 2.6gal. | Fluid, Anti-Freeze Options (Not Shown): | |
| | 2300004 | | Machines without Arctic Package | |
| | 2300041 | | Machines with Arctic Package | |
| 114 | 2720058 | 30ft/9.1m | Hose | |
| 115 | 2750532 | 6ft./1.8m | Hose 3/8" | |
| 116 | 3422446 | 1 | Pin, Pivot | |
| 117 | 3460544 | 1 | Pipe, Exhaust | |
| 118 | 3841143 | 1 | Keeper, Pin | |
| 119 | 3841340 | 1 | Loop, Hose | |
| 120 | 4711600 | 2 | Flatwasher 3/8" Narrow | |
| 121 | 4752000 | 1 | Flatwasher 5/8" | |
| 122 | Not Used | | | |
| 123 | 0641508 | 3 | Bolt 5/16"-18NC x 1" | |
| 124 | 3311505 | 6 | Locknut 5/16"-18NC | |
| 125 | 3380429 | 1 | Panel, Rubber | |
| 126 | 3539957 | 2 | Plate, Holddown | |
| 127 | 3900272 | 3 | Screw 5/16"-18NC x 1 3/4" | |
| 128 to 149 | Not Used | | | |
| | | | Note: Arctic Package Items 150 - 153 Not Shown - Used on Arctic Machines Only | |
| 150 | 1060625 | 1 | Cable, Immersion Heater | |
| 151 | 1320223 | 1 | J-Clip 1/2" | |
| 152 | 1702943 | 1 | Decal - Hydraulic Tank Heater (Located on bottom of Hydraulic Oil Tank) | |
| 153 | 2580050 | 1 | Heater, Hydraulic Tank | |
| | | Ref. | CATERPILLAR TIER IVi ENGINE W/PUMPS ASSEMBLIES | |
| | 1001110207 | Ref. | Without Arctic Package | B |
| | 1001110204 | Ref. | With Arctic Package | B |
| 201 | 0100011 | A/R | Compound, Locking | |
| 202 | 0641407 | 1 | Bolt 1/4"-20NC x 7/8" | |
| 203 | 0641812 | 4 | Bolt 1/2"-18NC x 1 3/4" | |
| 204 | | 2.5gal | Oil, Motor Options (Not Shown): | |
| | 3020016 | | Oil, Motor 15W-40 (Without Arctic Package) | |
| | 3020044 | | Oil, Motor 0W-40 (With Arctic Package) | |
| 205 | 3311405 | 12 | Locknut 1/4"-20NC | |
| 206 | 3422532 | 1 | Pin, Hitch | |
| 207 | 3600400 | 1 | Piston Pump Assembly (See Figure 2-10 for Breakdown) | |
| 208 | 1001095354 | 1 | Load Sensing Pump Assembly with Fittings | |
| | 2220415 | 1 | Fitting | |
| | 1001094595 | 1 | Pump, Displacement Less Fittings | |
| | 7023967 | 1 | Seal Kit - 1001094595 Pump | |

SECTION 2 TURNTABLE

FIGURE 2-7. CATERPILLAR ENGINE INSTALLATION (CONTINUED)

| ITEM # | PART NUMBER | QTY. | DESCRIPTION | REV. |
|-----------------|-------------|-----------|--|------|
| 208 (cont'd) | 7023956 | 1 | Valve Assembly Kit - 1001094595 Pump | |
| 209 | 3790044 | 1 | O-Ring | |
| 210 | 3960548 | 44in/1.2m | Seal, Hood | |
| 211 | 3960549 | 11in/28cm | Seal, Hood | |
| 212 | 4751400 | 1 | Flatwasher 1/4" | |
| 213 | 4891600 | 2 | Flatwasher 3/8" Hardened | |
| 214 | Not Used | | | |
| 215 | 1001112762 | 1 | Battery Cable Kit | B |
| 215A | 7027028 | 1 | Cable, Battery (Red) | |
| 215B | 7027029 | 1 | Cable, Battery (Black) | |
| 215C | 7027030 | 1 | Cable (Red) | |
| 215D | 7027031 | 1 | Cable (Black) | |
| | | | Note: Arctic Package Items 216 - 226 Not Shown - Used on Arctic Machines Only | |
| 216 | 0641608 | 2 | Bolt 3/8-16NC x 1" | |
| 217 | 1060626 | 1 | Cord, 3-Way Extension (Located on Left Front of Engine) | |
| 218 | 1320223 | 2 | Clamp | |
| 219 | 1702941 | 1 | Decal - Battery Heater (Located on Battery Heater) | |
| 220 | 1702942 | 1 | Decal - Engine Block Heater (Located on Right Side of Engine) | |
| 221 | 1702944 | 1 | Decal - Heater Cord (Located on Left Front of Engine) | |
| 222 | 2580024 | 1 | Heater, Battery (Located on Battery) | |
| 223 | 2580055 | 1 | Heater, Block (Located on Left Side of Engine) | |
| 224 | 3311605 | 2 | Locknut 3/8"-16NC | |
| 225 | 3980007 | 1 | Seat, Battery (Located Under Battery) | |
| 226 | 4751600 | 2 | Flatwasher 3/8" Wide | |
| | 1001112077 | Ref. | CATERPILLAR TIER IVi ENGINE W/ECM ASSEMBLY | E |
| 301 | 0100011 | A/R | Compound, Locking | |
| 302 | 0100020 | A/R | Sealant, Thread | |
| 303 | 0700620 | 1 | Bolt M6 x 60mm | |
| 304 | 0700808 | 5 | Bolt M8 x 16mm | |
| 305 | 0701010 | 2 | Bolt M10 x 20mm | |
| 306 | 0760606 | 2 | Bolt M6 x 12mm | |
| 307 | 0760610 | 2 | Bolt M6 x 20mm | |
| 308 | 4031709 | 3 | Bolt M6 x 25mm | |
| 309 | 8303541 | 1 | Screw M6 x 35mm | |
| 310 | 0700616 | 2 | Bolt M6 x 40mm | |
| 311 | 0761210 | 2 | Bolt M12 x 20mm | |
| 312 | 8406009 | 1 | Clamp, Cable | |
| 313 | 1320224 | 1 | Clamp, Cable | |
| 314 | 8406105 | 2 | Clip, Tube | |
| 315 | 3290507 | 1 | Locknut M5 | |
| 316 | 4811700 | 12 | Flatwasher 6mm | |
| 317 | 4811900 | 5 | Flatwasher 8mm | |
| 318 | 4812000 | 2 | Flatwasher 10mm | |
| 319 | 4812100 | 2 | Flatwasher 12mm | |
| 320 | 4811600 | 1 | Flatwasher 5mm | |
| 321 | 1001097553 | 1 | Washer, Coolant Sensor | |

SECTION 2 TURNTABLE

FIGURE 2-7. CATERPILLAR ENGINE INSTALLATION (CONTINUED)

| ITEM # | PART NUMBER | QTY. | DESCRIPTION | REV. |
|------------|---------------|------|--|------|
| 322 | 1001109064 | 1 | Caterpillar Tier IVi Engine Assembly | |
| 323 | 1001112057 | 1 | Bracket | |
| 324 | 1001112059 | 5 | Bumper | |
| 325 | 1001112067 | 1 | Module, ECM | |
| 326 | 1001112068 | 1 | Sensor, Speed | |
| 327 | 1001112069 | 1 | Sensor, Temperature | |
| 328 | 1001112070 | 1 | Switch, Oil Pressure | |
| 329 | 1001112071 | 1 | Harness, Engine (Not Shown - See Section 7 for Breakdown) | |
| 330 | 1001112072 | 1 | Bracket | |
| 331 | 1001112073 | 1 | Actuator | |
| | 1001112849 | 1 | Linkage Assy | |
| 332 | 1001112570 | 1 | Spacer | |
| 333 | Not Used | | | |
| 334 | 1320263 | 1 | Clamp, Cable | |
| 335 | 1001112075 | 1 | Bolt | |
| 336 | 1001112592 | 1 | Bearing | |
| 337 | 1001116595 | 1 | Spacer | |
| 338 | 8406109 | 1 | Clip, Tube | |
| | 1001109064 | Ref. | ENGINE COMPONENTS | B |
| 401 | 7026839 | 1 | Pump, Fuel Supply | |
| | 7026830 | 1 | Filter, Fuel | |
| | 70002833 | 1 | Ring, Retaining | |
| | 70002834 | 1 | Bowl, Water Collection | |
| | 70002835 | 1 | Kit, Seal | |
| 402 | 7026831 | 1 | Alternator | |
| 403 | Not Used | | | |
| 404 | 7026811 | 1 | Filter, Oil | |
| | 7026812 | 1 | Seal, Oil Filter Head Bolt | |
| | 7026813 | 1 | Seal, Oil Filter Head (Between Oil Filter Head & Engine Block) | |
| 405 | 7026833 | 1 | Starter (Not Shown - Located on other side of engine) | |
| 406 | 70002844 | 1 | Dipstick Oil Level | |
| | 70002843 | 1 | Seal, Guide Tube | |
| 407 to 410 | Not Used | | | |
| 411 | Not Available | 1 | Pump, Fuel Supply | |
| 412 | 7026810 | 1 | Belt | |
| 413 | 70001120 | 1 | Pump, Water | |
| | 70001742 | 1 | Pulley, Water Pump | |
| 414 | 7026822 | 1 | Thermostat | |
| | 7026820 | 1 | Gasket, Thermostat Housing (Between Housing & Head) | |
| | 7026821 | 1 | Gasket, Coolant (Between Housing & Cover) | |
| | 70002765 | 1 | Hose, Bypass | |
| 415 | 4569371 | 1 | Tube, Air Intake Weldment | |
| 416 | Not Available | 4 | Bolt M8 x 16mm | |
| 417 | Not Available | 4 | Flatwasher M8 | |
| 418 | 70001051 | 1 | Valve, Shutoff | |
| 419 | 7026826 | 1 | Gasket, Exhaust Manifold to Engine Block (Not Shown) | |
| | 70002852 | 4 | Stud, Exhaust (Not Shown) | |

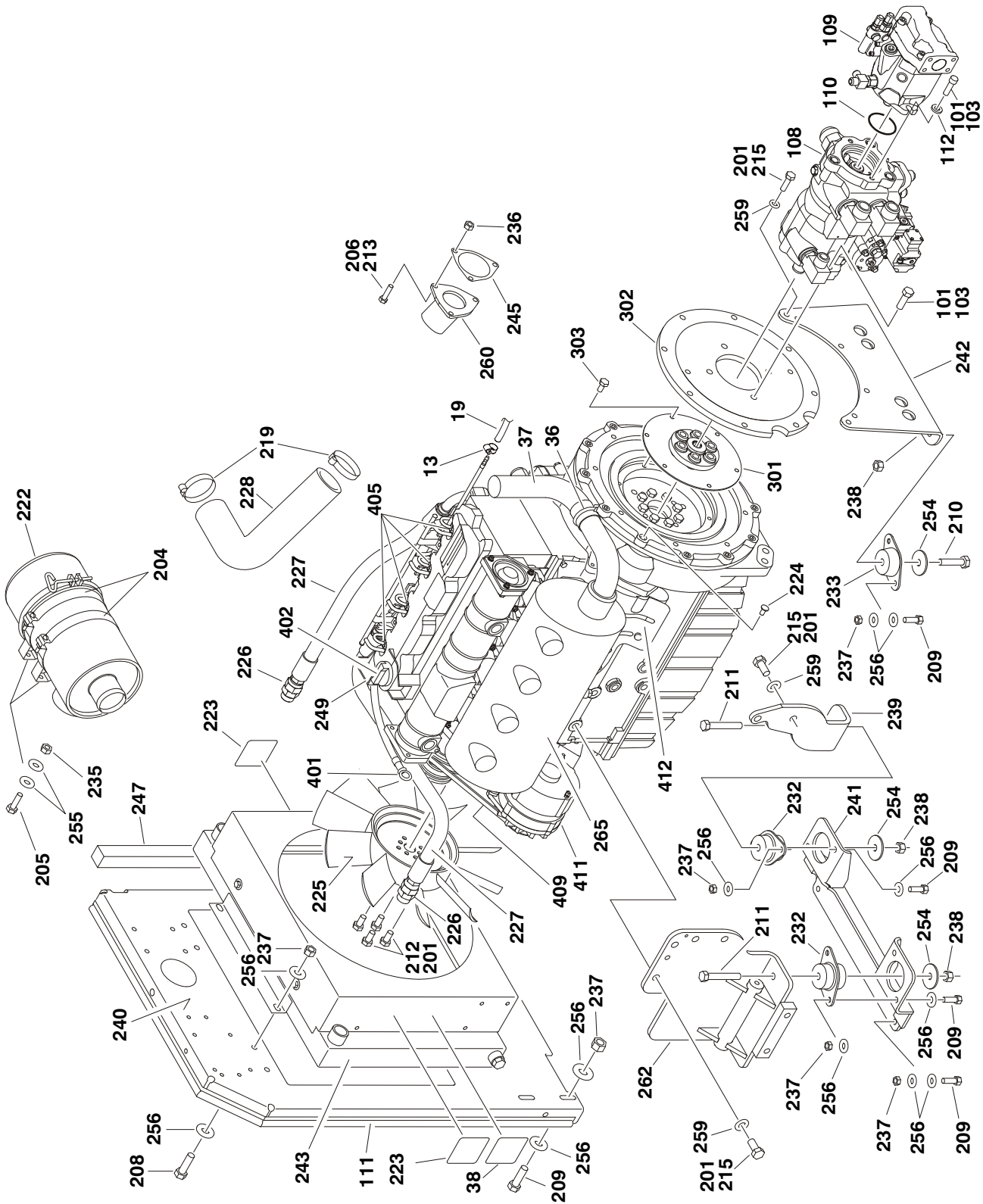
SECTION 2 TURNTABLE

FIGURE 2-7. CATERPILLAR ENGINE INSTALLATION (CONTINUED)

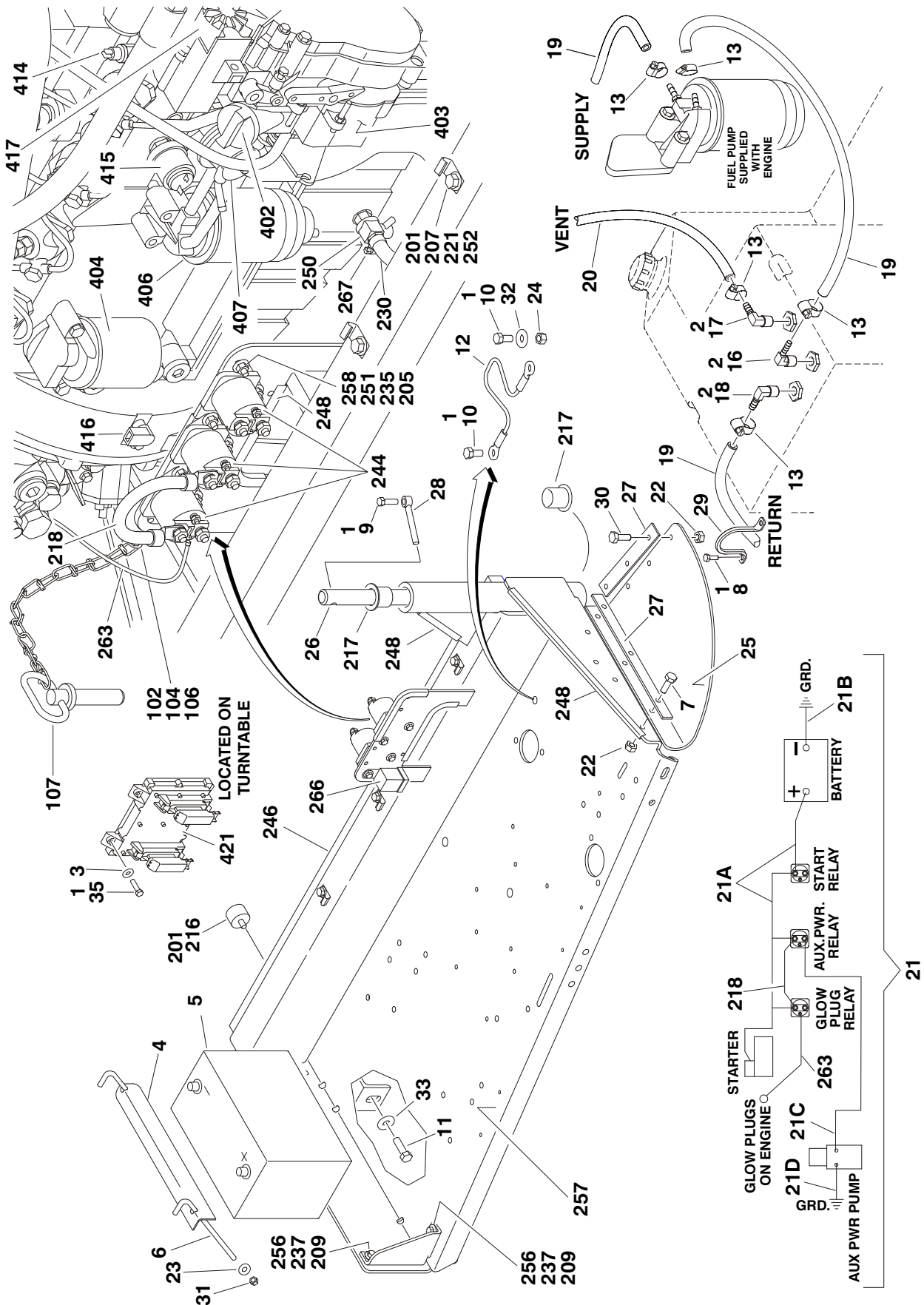
| ITEM # | PART NUMBER | QTY. | DESCRIPTION | REV. | |
|--------|-------------|---------|--|---|--|
| 420 | 7026819 | 1 | Cooler, Oil (Not Shown) | | |
| | 7026816 | 2 | O-Ring (Not Shown - Located Between Oil Cooler & Cover) | | |
| | 7026817 | 4 | O-Ring (Not Shown - Located Between Oil Cooler & Cover) | | |
| | 7026818 | 1 | Gasket (Not Shown - Located Between Oil Cooler Cover & Engine Block) | | |
| 421 | 7026800 | 1 | Cap, (Oil Filler) | | |
| 422 | 7026801 | 1 | Gasket, (Valve Cover) | | |
| | 70002761 | 17 | Bolt, (Cylinder Head) | | |
| | 70002762 | 7 | Seal, (Valve Stem) | | |
| | 7022721 | 1 | Washer, Hard 2.5mm | | |
| | 70002479 | 1 | Bolt M10 x 1.5 x 20mm | | |
| | 70002764 | 1 | Gasket (Between Lifting Eye & Engine Head) | | |
| | 423 | 7026829 | 1 | Gasket, Intake Manifold to Engine Block (Not Shown) | |
| | | 7026828 | 1 | Gasket, Intake Manifold to Air Intake Tube | |
| 424 | 7026802 | 1 | Flywheel Assy (With Ring Gear) | | |
| | 7026803 | 1 | Gear, Flywheel | | |
| 425 | 7026832 | 4 | Plug, Glow | | |
| 426 | 7026804 | 1 | Gasket (Not Shown - Located Between Engine Block & Bellhousing) | | |
| | 7026805 | 1 | Seal, Rear Main (Not Shown - Located on Rear of Engine Block) | | |
| | 7026806 | 1 | Cap, Filler | | |
| | 70002847 | 1 | Seal, Gear Cover | | |
| | 70002845 | 1 | Pump, Oil | | |
| | 70002846 | 1 | Seal, Oil Pump | | |
| | 7026807 | 1 | Seal, Front Main (Not Shown - Located on Front of Engine Block) | | |
| | 70002763 | 4 | Gasket, Fuel Line (Not Shown) | | |
| | 431 | 7026808 | 1 | Plug, Drain Oil Pan (Not Shown) | |
| | | 7026809 | 1 | Gasket, Drain Plug Oil Pan (Not Shown) | |
| 432 | 70002849 | 1 | Pump, Fuel Supply | | |
| | 70002850 | 1 | Solenoid, Fuel Shutoff | | |
| | 70002848 | 1 | Gasket, Fuel Pump (Between Flange & Pump) | | |
| 433 | 7026827 | 1 | Gasket, Exhaust Manifold to Exhaust Pipe | | |
| 434 | 7026814 | 1 | Relief Valve, Oil Pressure | | |
| | 7026815 | | Gasket, Relief Valve | | |
| 435 | 70002851 | | Kit - Gasket (Not Shown) | | |

SECTION 2 TURNTABLE

FIGURE 2-8. DEUTZ ENGINE INSTALLATION



SECTION 2 TURNTABLE



SECTION 2 TURNTABLE

FIGURE 2-8. DEUTZ ENGINE INSTALLATION

| ITEM # | PART NUMBER | QTY. | DESCRIPTION | REV. |
|--------|-------------|-----------|--|------|
| | | Ref. | DEUTZ ENGINE INSTALLATIONS | |
| | 1001098506 | Ref. | Without Arctic Package | A |
| | 1001099637 | Ref. | With Arctic Package | A |
| 1 | 0100011 | A/R | Compound, Locking | |
| 2 | 0100020 | A/R | Sealant, Pipe | |
| 3 | 4711400 | 4 | Flatwasher 1/4" Narrow | |
| 4 | 91401281 | 1 | Hold-down, Battery | |
| 5 | 0400075 | 1 | Battery | |
| 6 | 1001093382 | 2 | Bolt, Battery Hold-down | |
| 7 | 0641508 | 3 | Bolt 5/16"-18NC x 1" | |
| 8 | 0641608 | 6 | Bolt 3/8"-16NC x 1" | |
| 9 | 0641610 | 1 | Bolt 3/8"-16NC x 1 1/4" | |
| 10 | 0641808 | 2 | Bolt 1/2"-13NC x 1" | |
| 11 | 0642010 | 1 | Bolt 5/8"-11NC x 1 1/4" | |
| 12 | 1060637 | 1 | Cable, Lanyard | |
| 13 | 1320022 | 5 | Clamp, Hose | |
| 14 | 1701505 | 1 | Decal - Diesel (Not Shown - Located on Hood) | |
| 15 | Not Used | | | |
| 16 | 2180348 | 1 | Fitting, Straight Barbed | |
| 17 | 2220313 | 1 | Fitting, 90° | |
| 18 | 2221176 | 1 | Fitting, 90° Barbed | |
| 19 | 2720058 | 30ft/9.2m | Hose | |
| 20 | 2750532 | 6ft/1.8m | Hose | |
| 21 | 2902401 | 1 | Battery Cable Kit | B |
| 21A | 1001116288 | 1 | Cable, Battery (Red) (Machines with 3 Relays on Engine Tray) | |
| | 1001116287 | 1 | Cable, Battery (Red) (Machines with 2 Relays on Engine Tray) | |
| 21B | 7027004 | 1 | Cable, Battery (Black) | |
| 21C | 7016824 | 1 | Cable (Red) | |
| 21D | 7016825 | 1 | Cable (Black) | |
| 22 | 3311505 | 6 | Locknut 5/16"-18NC | |
| 23 | 4751500 | 2 | Flatwasher 5/16" Wide | |
| 24 | 3311801 | 1 | Nut 1/2"-13NC | |
| 25 | 3380429 | 1 | Panel, Rubber | |
| 26 | 3422446 | 1 | Pin, Pivot | |
| 27 | 3539957 | 2 | Plate, Hold-down | |
| 28 | 3841143 | 1 | Pin, Keeper | |
| 29 | 3841340 | 3 | Loop, Hose | |
| 30 | 3900272 | 3 | Bolt 5/16"-18NC x 1 3/4" | |
| 31 | 88521205 | 2 | Locknut 5/16"-18NC | |
| 32 | 4751800 | 1 | Flatwasher 1/2" Wide | |
| 33 | 4752000 | 1 | Flatwasher 5/8" Wide | |
| 34 | 4922737 | 1 | Harness, Engine Grounding (Not Shown) | |
| 35 | 0641410 | 4 | Bolt 1/4"-20NC x 1 1/8" | |
| 36 | 1320176 | 1 | Clamp, Exhaust | |
| 37 | 1001101600 | 1 | Tube, Exhaust | |

SECTION 2 TURNTABLE

FIGURE 2-8. DEUTZ ENGINE INSTALLATION (CONTINUED)

| ITEM # | PART NUMBER | QTY. | DESCRIPTION | REV. |
|--------|--|----------|--|------|
| 38 | 1704972 1706098 1706064 1706060 1706062 1706061 1706059 1706063 | 1 | Decal - Warning Explosion/Fire Options: ANSI Spec Decals Australian & CE Spec Decals CSA Spec Decals Dual Language English/Chinese Decals Dual Language English/Japanese Decals Dual Language English/Korean Decals Dual Language English/Portuguese Decals Dual Language English/Spanish Decals Note: Arctic Package Items 39 - 50 Not Shown - Used on Arctic Machines Only | |
| 39 | 1060625 | 1 | Cable, Immersion Heater (Located on Bottom of Hydraulic Oil Tank) | |
| 40 | 1060626 | 1 | Cord, 3 Way Extension (Located on Left Front of Engine) | |
| 41 | 1320223 | A/R | Clamp | |
| 42 | 1702941 | 1 | Decal - Battery Heater (Located on Battery Heater) | |
| 43 | 1702942 | 1 | Decal - Engine Block Heater (Located on Right Side of Engine) | |
| 44 | 1702943 | 1 | Decal - Hydraulic Tank Heater (Located on Bottom of Hydraulic Oil Tank) | |
| 45 | 1702944 | 1 | Decal - Heater Cord (Located on Left Front of Engine) | |
| 46 | 2580024 | 1 | Heater, Battery (Located on Battery) | |
| 47 | 2580050 | 1 | Heater, Hydraulic Tank (Located on Bottom of Hydraulic Oil Tank) | |
| 48 | 3980007 | 1 | Seat, Battery (Located on Battery) | |
| 49 | 3311605 | 1 | Nut 3/8"-16 NC | |
| 50 | 4711600 | 2 | Flatwasher 3/8" Narrow | |
| | | Ref. | ENGINE AND PUMP ASSEMBLIES | |
| | 1001098507 | Ref. | Without Arctic Package | B |
| | 1001099639 | Ref. | With Arctic Package | B |
| 101 | 0100011 | A/R | Compound, Locking | |
| 102 | 0641407 | 1 | Bolt 1/4"-20NC x 7/8" | |
| 103 | 0641812 | 4 | Bolt 1/2"-13NC x 1 1/2" | |
| 104 | 4751400 | 1 | Flatwasher 1/4" Wide | |
| 105 | Not Used | | | |
| 106 | 3311405 | 1 | Locknut 1/4"-20NC | |
| 107 | 3422532 | 1 | Pin, Hitch | |
| 108 | 3600400 | 1 | Piston Pump Assembly with Fittings (See Figure 2-10 for Breakdown): | |
| 109 | 1001095354 | 1 | Gear Pump Assembly with Fittings (Sauer Danfoss) | A |
| | 2220415 | 1 | Fitting | |
| | 1001094595 | 1 | Pump, Displacement | |
| | 7023967 | 1 | Seal Kit | |
| | 7023956 | 1 | Valve Assembly Kit | |
| 110 | 3790044 | 1 | O-Ring | |
| 111 | 3960389 | 5ft/1.5m | Seal | |
| 112 | 4891800 | 2 | Flatwasher, Hardened | |

SECTION 2 TURNTABLE

FIGURE 2-8. DEUTZ ENGINE INSTALLATION (CONTINUED)

| ITEM # | PART NUMBER | QTY. | DESCRIPTION | REV. |
|------------|-------------|----------|---|------|
| | | Ref. | ENGINE AND PUMP ASSEMBLIES | |
| | 1001098508 | Ref. | Without Arctic Package | G |
| | 1001099640 | Ref. | With Arctic Package | G |
| 201 | 0100011 | A/R | Compound, Locking | |
| 202 to 203 | Not Used | | | |
| 204 | 0340041 | 2 | Band, Air Cleaner | |
| 205 | 0641407 | 10 | Bolt 1/4"-20NC x 7/8" | |
| 206 | 0641510 | 2 | Bolt 5/16"-18NC x 1 1/4" | |
| 207 | 0641606 | 3 | Bolt 3/8"-16NC x 3/4" | |
| 208 | 0641609 | 6 | Bolt 3/8"-16NC x 1 1/8" | |
| 209 | 0641610 | 16 | Bolt 3/8"-16NC x 1 1/4" | |
| 210 | 0641818 | 2 | Bolt 1/2"-13NC x 2 1/4" | |
| 211 | 0641826 | 2 | Bolt 1/2"-13NC x 3 1/4" | |
| 212 | 0700808 | 4 | Bolt 8mm x 16mm | |
| 213 | 0641512 | 1 | Bolt 5/16"-18NC x 1 1/2" | |
| 214 | Not Used | | | |
| 215 | 0701414 | 10 | Bolt 14mm x 130mm | |
| 216 | 0940070 | 1 | Bumper | |
| 217 | 0961986 | 2 | Bushing, Flanged | |
| 218 | 1060904 | 1 | Cable, Jumper (USA Built Machines S/N 0300140000 to S/N 0300140564) | |
| 219 | 1320016 | 2 | Clamp | |
| 220 | Not Used | | | |
| 221 | 1320223 | 4 | J-Clip | |
| 222 | 1340060 | 1 | Air Cleaner Assembly Including Filter Element | |
| | 7012664 | 1 | Element, Filter (Not Shown) | |
| 223 | 1703162 | 2 | Decal - Caution Fan Blade | |
| 224 | 3520054 | 2 | Plug, Hole | |
| 225 | 2060025 | 1 | Fan | |
| 226 | 2220451 | 2 | Fitting, Straight | |
| 227 | 2720398 | 2 | Hose, Oil Cooler | |
| 228 | 1001091179 | 1 | Elbow, Rubber | |
| 229 | Not Used | | | |
| 230 | Use 2750532 | 1ft/30cm | Hose, Oil Drain (was p/n 1001091892) | |
| 231 | | 3.75gal | Oil, Motor Options (Not Shown): | |
| | 3020016 | | 15W-40 (Without Arctic Package) | |
| | 3020044 | | 0W-40 (With Arctic Package) | |
| 232 | 3200362 | 2 | Mount, Motor | |
| 233 | 3200406 | 2 | Mount, Motor | |
| 234 | Not Used | | | |
| 235 | 3311405 | 10 | Locknut 1/4"-20NC | |
| 236 | 3311505 | 3 | Locknut 5/16"-18NC | |
| 237 | 3311605 | 22 | Locknut 3/8"-16NC | |
| 238 | 3311805 | 4 | Locknut 1/2"-13NC | |
| 239 | 3537416 | 1 | Plate, Engine Mounting (Front Right Side) | |
| 240 | 3539872 | 1 | Plate, Radiator Mounting | |
| 241 | 3539971 | 1 | Plate, Engine Mounting (Front Bottom) | |
| 242 | 1001093943 | 1 | Plate, Engine Mounting (Rear) | |
| 243 | 3620033 | 1 | Radiator | |

SECTION 2 TURNTABLE

FIGURE 2-8. DEUTZ ENGINE INSTALLATION (CONTINUED)

| ITEM # | PART NUMBER | QTY. | DESCRIPTION | REV. |
|--------|---------------|---------|---|------|
| 244 | 3740067 | 3 | Relay | |
| 245 | 3960407 | 1 | Gasket, Air Intake | |
| 246 | 3960468 | 1 | Seal | |
| 247 | 3960469 | 1 | Seal | |
| 248 | 4060805 | 37in/1m | Flex-Trim | |
| 249 | 1001094101 | 1 | Engine, Deutz | |
| 250 | 4640751 | 1 | Valve, Oil Drain (was p/n 1001104308) | |
| 251 | 4711400 | 6 | Flatwasher 1/4" Narrow | |
| 252 | 4711600 | 3 | Flatwasher 3/8" Narrow | |
| 253 | Not Used | | | |
| 254 | 4740274 | 4 | Washer, Snubbing | |
| 255 | 4751400 | 8 | Flatwasher 1/4" Wide | |
| 256 | 4751600 | 44 | Flatwasher 3/8" Wide | |
| 257 | 1001094321 | 1 | Tray, Engine | |
| 258 | 4791400 | 6 | Starwasher 1/4" | |
| 259 | 4812200 | 10 | Flatwasher 14mm | |
| 260 | 4845395 | 1 | Adapter, Air Intake | |
| 261 | Not Used | | | |
| 262 | 4846566 | 1 | Plate, Engine Mounting (Front Left Side) | |
| 263 | 4923379 | 1 | Harness, Glow Plugs | |
| 264 | Not Used | | | |
| 265 | | 1 | Muffler Options: | |
| | 1001099051 | | Spark Arresting (Standard) | |
| | 1001101241 | | Catalytic (Optional) | |
| | 7024560 | 1 | Plug, Brass | |
| 266 | 3740080 | 1 | Relay, EGR | |
| 267 | 1320022 | 1 | Clamp, Hose | |
| | | | Note: Arctic Package Item 268 Not Shown - Used on Arctic Machines Only | |
| 268 | 2580062 | 1 | Heater, Engine Block | |
| | 2902065 | Ref. | PUMP COUPLING INSTALLATION | D |
| 301 | 70000793 | 1 | Coupling, Hayes | |
| 302 | See Note | 1 | Plate, Pump Adapter (Note: Not Available - Purchase p/n 2902065) | |
| 303 | Not Available | 18 | Capscrew M10 | |
| | 1001094101 | Ref. | ENGINE COMPONENTS | B |
| 401 | 7026631 | 1 | Dipstick | |
| | 7020487 | 1 | O-Ring, Dipstick | |
| 402 | 7020465 | 1 | Cap, Filler | |
| 403 | 70001850 | 1 | Pump, Oil Lube | |
| | 7020468 | 1 | Seal Between Oil Pump & Engine Block (Not Shown) | |
| 404 | 7016331 | 1 | Filter, Oil | |
| | 70001848 | 1 | Sensor at Oil Filter | |
| | 70001132 | 1 | Seal, Sensor at Oil Filter | |

SECTION 2 TURNTABLE

FIGURE 2-8. DEUTZ ENGINE INSTALLATION (CONTINUED)

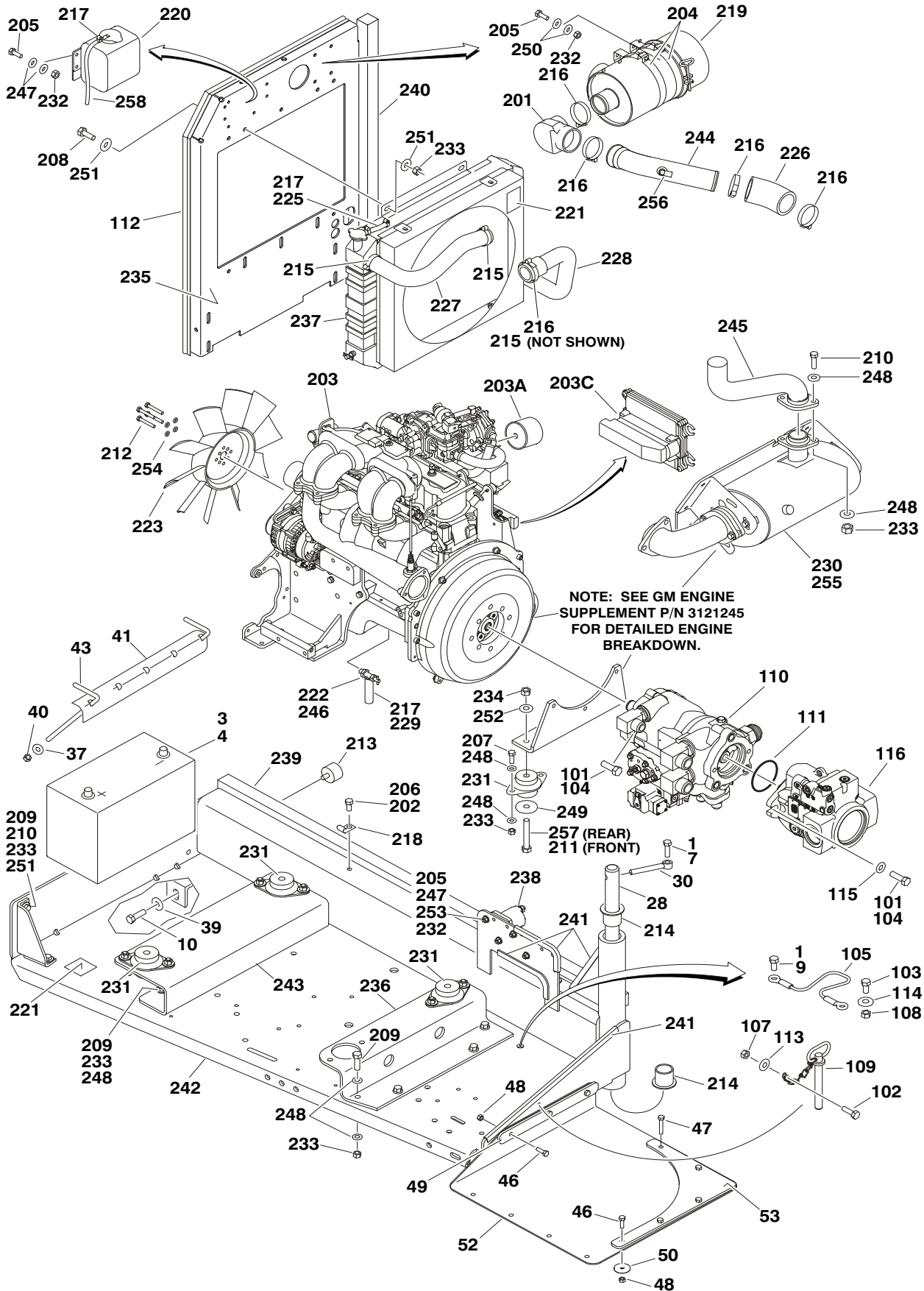
| ITEM # | PART NUMBER | QTY. | DESCRIPTION | REV. |
|------------|---------------|------|--|------|
| 405 | 70000912 | 4 | Pump, Injector Options: Series A Injector | |
| | 70000913 | | Series B Injector | |
| | 70000914 | | Series C Injector | |
| | 70000915 | | Series D Injector | |
| 406 | 8320270 | 1 | Filter, Fuel | |
| 407 | 70000916 | 1 | Pump, Fuel Supply | |
| | 70001435 | 1 | Repair Kit | |
| | 70000919 | 1 | Hand Pump | |
| | 70000918 | 1 | Seal, Hand Pump | |
| | 70000917 | 1 | O-Seal Between Fuel Pump & Engine Block (Not Shown) | |
| 408 | 7020449 | 4 | Gasket, Intake Manifold (Not Shown) | |
| 409 | 7020408 | 1 | V-Belt | |
| 410 | 7020471 | 4 | Gasket, Exhaust (Manifold to Engine Block) (Not Shown) | |
| | 70002200 | 8 | Stud, Muffler Attaching) (Not Shown) | |
| | 70001836 | 1 | Gasket, Exhaust (Engine Head to Header) (Not Shown) | |
| | 70001835 | 1 | Gasket, Exhaust (Header to EGR Valve Block) (Not Shown) | |
| | 70001841 | 1 | Valve, EGR (Not Shown) | |
| | 70001838 | 2 | Gasket, Exhaust (EGR Valve Block to Exhaust Tube) (Not Shown) | |
| | 70001874 | 1 | Plate Choke (Between 70001838 Gaskets) (Not Shown) | |
| | 70001837 | 1 | Gasket, Exhaust (Exhaust Tube to Muffler) (Not Shown) | |
| | 70001839 | 1 | Flange, Sealing (Near Front of Header) (includes Seal & Pin) (Not Shown) | |
| 411 | 7000663 | 1 | Alternator | |
| | 70001868 | 1 | Regulator, Voltage (Not Shown) | |
| | 70001866 | 1 | Gasket, Regulator (Not Shown) | |
| | 70002234 | 1 | Bracket, Adjusting (Not Shown) | |
| 412 | 7020479 | 1 | Starter | |
| | 7026608 | 1 | Solenoid | |
| 413 | 70000345 | 4 | Plug, Glow (Not Shown) | |
| 414 | 7027791 | 1 | Sender, Temperature | |
| | Not Available | 1 | Ring, Sealing | |
| 415 | 7027790 | 1 | Sensor, Oil Pressure | |
| 416 | 7024565 | 1 | Sensor, Speed | |
| 417 | 7027792 | 1 | Actuator, Throttle | |
| 418 | 7020459 | 1 | Thermostat (Located at rear of engine block - Not Shown) | |
| 419 | 70001870 | 1 | Flywheel (Not Shown) | |
| | 7024579 | 1 | Ring Gear (Located on Flywheel - Not Shown) | |
| 420 | Not Used | 1 | | |
| 421 | 7027795 | 1 | Module, EMR2 Controller | |
| | 7027796 | 1 | Harness. EMR2 Module | |
| 422 to 424 | Not Used | | | |
| 425 | | 1 | Gasket, Cylinder Head Options (Not Shown): | |
| | 70002415 | | 1 Notch | |
| | 70002416 | | 2 Notches | |
| | 70002417 | | 3 Notches | |
| 426 | Not Used | | | |
| 427 | 70001872 | 1 | Harness. Engine Options (Not Shown): | |
| 428 | 70001847 | 1 | Breather, Valve (Not Shown - Located On Front Cover) | |
| | 70001126 | 1 | Seal, Breather | |

FIGURE 2-8. DEUTZ ENGINE INSTALLATION (CONTINUED)

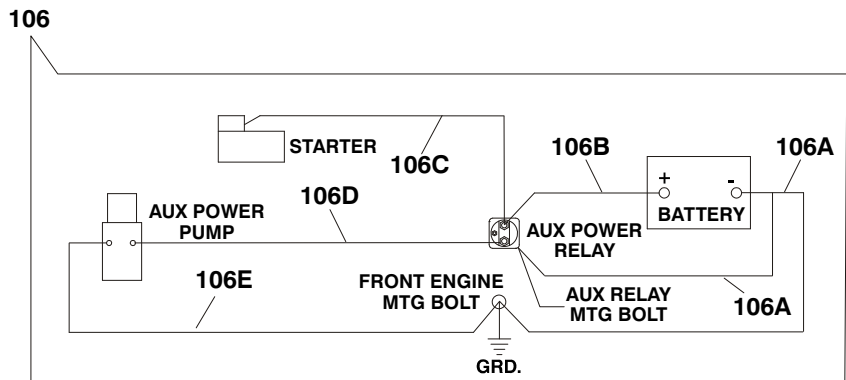
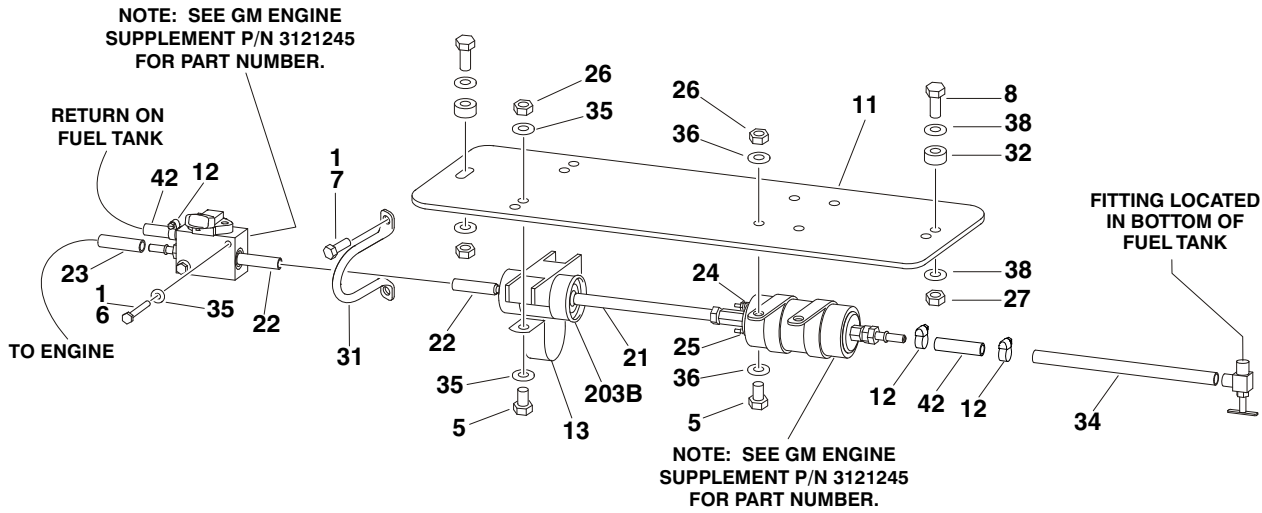
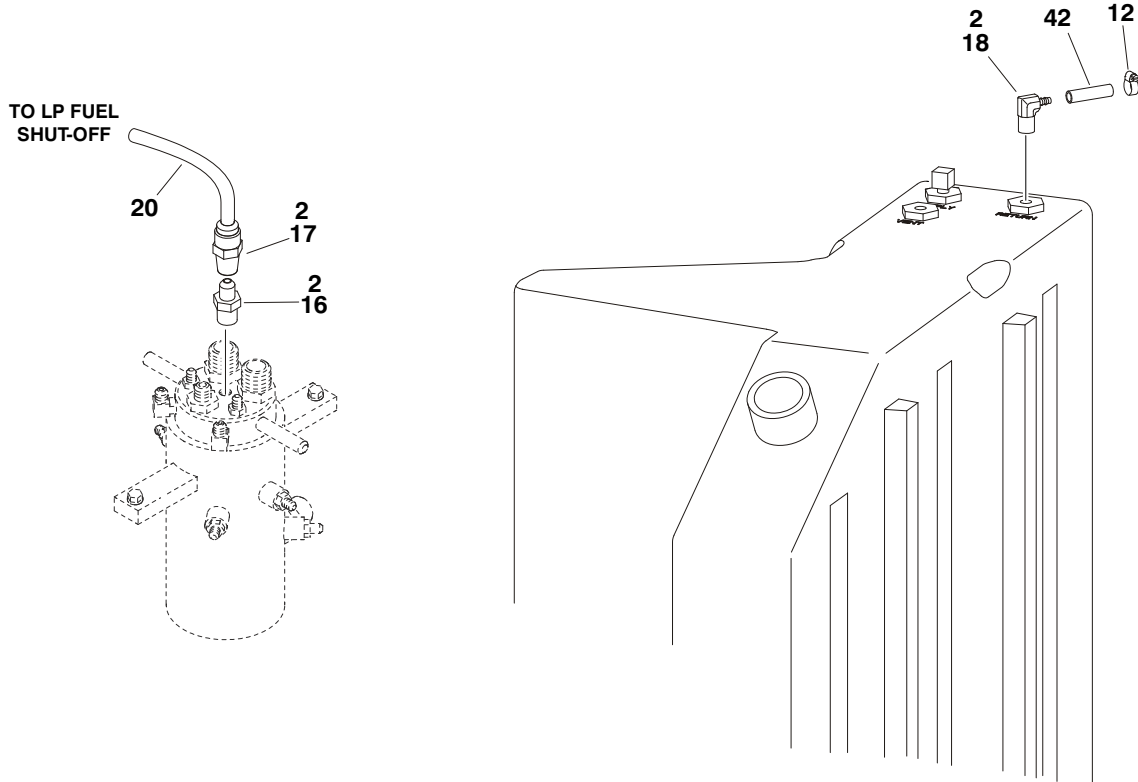
| ITEM # | PART NUMBER | QTY. | DESCRIPTION | REV. |
|--------|-------------|------|-------------|------|
| | | | | |

SECTION 2 TURNTABLE

FIGURE 2-9. GM ENGINE INSTALLATION



SECTION 2 TURNTABLE



SECTION 2 TURNTABLE

FIGURE 2-9. GM ENGINE INSTALLATION

| ITEM # | PART NUMBER | QTY. | DESCRIPTION | REV. |
|--------|-------------|------------|--|------|
| | | Ref. | GM ENGINE INSTALLATION | |
| | 1001114636 | Ref. | Engine 3.0L Tier III/iV without Arctic Package | C |
| | 1001114638 | Ref. | Engine 3.0L Tier III/iV with Arctic Package | C |
| | | | Note: For S/N 141585 Refer to Manual #3121176 For Break-down. | |
| 1 | 0100011 | A/R | Compound, Locking | |
| 2 | 0100020 | A/R | Sealant, Pipe | |
| 3 | 0100048 | A/R | Grease, Dielectric | |
| 4 | 0400075 | 1 | Battery (Wet) | |
| 5 | 0641406 | 4 | Bolt 1/4"-20NC x 3/4" | |
| 6 | 0641416 | 2 | Bolt 1/4"-20NC x 2" | |
| 7 | 0641608 | 7 | Bolt 3/8"-16NC x 1" | |
| 8 | 0641612 | 7 | Bolt 3/8"-16NC x 1 1/2" | |
| 9 | 0641808 | 1 | Bolt 1/2"-13NC x 1" | |
| 10 | 0642010 | 1 | Bolt 5/8"-11NC x 1 1/4" | |
| 11 | 0903510 | 1 | Bracket, Fuel Filter | |
| 12 | 1320022 | 4 | Clamp, Fuel Line | |
| 13 | 1320323 | 1 | Clamp | |
| 14 | 1701542 | 1 | Decal, Gas (Not Shown) | |
| 15 | 1701543 | 1 | Decal, LPG (Not Shown) | |
| 16 | 2180418 | 1 | Fitting, Straight | |
| 17 | 2220005 | 1 | Fitting, Straight | |
| 18 | 2221176 | 1 | Fitting, 90° | |
| 19 | Not Used | | | |
| 20 | 2720392 | 1 | Hose, LP | |
| 21 | 2720566 | 1 | Hose (6in/15cm Length) | |
| 22 | 2720567 | 1 | Hose (48in/122cm Length) | |
| 23 | 2720580 | 1 | Hose, Hi Pressure Fuel Line | |
| 24 | 3290405 | 1 | Locknut M4 x 0.7 | |
| 25 | 3290505 | 1 | Locknut M5 x 0.8 | |
| 26 | 3311405 | 4 | Locknut 1/4"-20NC | |
| 27 | 3311605 | 2 | Locknut 3/8"-16NC | |
| 28 | 3422446 | 1 | Pin | |
| 29 | 3790012 | 1 | O-Ring (Not Shown - Located in Console Box) | |
| 30 | 3841143 | 1 | Keeper | |
| 31 | 3841340 | 3 | Clamp, Loop | |
| 32 | 4071122 | 2 | Shim, Spacer | |
| 33 | 4360336 | 1 | Switch, Toggle (Not Shown - Located in Console Box) | |
| 34 | 4569385 | 1 | Tube, Fuel Line | |
| 35 | 4711400 | 6 | Flatwasher 1/4" Narrow | |
| 36 | 4711500 | 4 | Flatwasher 5/16" Narrow | |
| 37 | 4751500 | 2 | Flatwasher 5/16" Wide | |
| 38 | 4751600 | 4 | Flatwasher 3/8" Wide | |
| 39 | 4752000 | 1 | Flatwasher 5/8" Wide | |
| 40 | 88521205 | 2 | Locknut 5/16"-18NC | |
| 41 | 91401281 | 1 | Angle, Battery Hold Down | |
| 42 | 1001091587 | 68in/1.73m | Hose, Fuel Line | |
| 43 | 1001093382 | 2 | Bolt, Battery Hold Down | |

SECTION 2 TURNTABLE

FIGURE 2-9. GM ENGINE INSTALLATION (CONTINUED)

| ITEM # | PART NUMBER | QTY. | DESCRIPTION | REV. |
|----------|-------------|------|--|------|
| 44 to 45 | Not Used | | | |
| 46 | 0641508 | 6 | Bolt 5/16"-18NC X 1" (USA Built Machines S/N 0300143289 to Present & China Built Machines S/N B300000146 to Present) | |
| 47 | Use 3900272 | 2 | Bolt 5/16"-18NC X 1 3/4" (USA Built Machines S/N 0300143289 to Present & China Built Machines S/N B300000146 to Present) (was p/n 0641514) | |
| 48 | 3311505 | 8 | Locknut 5/16"-18NC (USA Built Machines S/N 0300143289 to Present & China Built Machines S/N B300000146 to Present) | |
| 49 | 3539957 | 1 | Plate, Hold Down (USA Built Machines S/N 0300143289 to Present & China Built Machines S/N B300000146 to Present) | |
| 50 | 4740508 | 3 | Washer (USA Built Machines S/N 0300143289 to Present & China Built Machines S/N B300000146 to Present) | |
| 51 | Not Used | | | |
| 52 | 1001121891 | 1 | Panel, Rubber (USA Built Machines S/N 0300143289 to Present & China Built Machines S/N B300000146 to Present) | |
| 53 | 1001123000 | 1 | Bracket, Support (USA Built Machines S/N 0300143289 to Present & China Built Machines S/N B300000146 to Present) Note: Arctic Package Items 54-64 Not Shown - Used on Arctic Machines Only | |
| 54 | 1060626 | 1 | Cord, 3 Way Extension (Located on Left Front of Engine) | |
| 55 | 1320223 | 3 | J-Clamp | |
| 56 | 1702941 | 1 | Decal - Battery Heater (Located on Battery Heater) | |
| 57 | 1702942 | 1 | Decal - Engine Block Heater (Located on Right Side of Engine) | |
| 58 | 1702943 | 1 | Decal - Hydraulic Tank Heater (Located on bottom of Hydraulic Oil Tank) | |
| 59 | 1702944 | 1 | Decal - Heater Cord (Located on Left Front of Engine) | |
| 60 | 1060625 | 1 | Cable, Immersion Heater (Located on bottom of Hydraulic Oil Tank) | |
| 61 | 2580024 | 1 | Heater, Battery (Located on Battery) | |
| 62 | 2580050 | 1 | Heater, Hydraulic Tank (Located on bottom of Hydraulic Oil Tank) | |
| 63 | 2580063 | 1 | Heater, Engine Block (Located on Right Side of Engine) | |
| 64 | 3980007 | 1 | Seat, Battery (Located under Battery) | |
| | | Ref. | GM ENGINE AND PUMP SUB-ASSEMBLY | |
| | 1001114635 | Ref. | Machines without Arctic Package | B |
| | 1001114637 | Ref. | Machines with Arctic Package | B |
| 101 | 0100011 | A/R | Compound, Locking | |
| 102 | 0641407 | 1 | Bolt 1/4"-20NC x 7/8" | |
| 103 | 0641808 | 1 | Bolt 1/2"-13NC x 1" | |
| 104 | 0641812 | 4 | Bolt 1/2"-13NC x 1 1/2" | |
| 105 | 1060637 | 1 | Cable, Lanyard | |
| 106 | 2902533 | 1 | Battery Cable Kit | B |
| 106A | 7027018 | 1 | Cable (Battery - to Ground) | |
| 106B | 7027015 | 1 | Cable (Battery + to Relay) | |
| 106C | 7027017 | 1 | Cable (Relay to Starter) | |
| 106D | 7016824 | 1 | Cable (Relay to Auxiliary Pump) | |
| 106E | 7016825 | 1 | Cable (Ground to Auxiliary Pump) | |
| 107 | 3311405 | 1 | Locknut 1/4"-20NC | |
| 108 | 3311805 | 1 | Locknut 1/2"-13NC | |

SECTION 2 TURNTABLE

FIGURE 2-9. GM ENGINE INSTALLATION (CONTINUED)

| ITEM # | PART NUMBER | QTY. | DESCRIPTION | REV. |
|--------|-------------|----------|--|------|
| 109 | 3422532 | 1 | Pin, Hitch | |
| 110 | 3600400 | 1 | Piston Pump Assy with Fittings (See Figure 2-10 for Breakdown) | |
| 111 | 3790044 | 1 | O-Ring | |
| 112 | 3960389 | 5ft/1.5m | Seal | |
| 113 | 4751400 | 1 | Flatwasher 1/4" (Wide) | |
| 114 | 4751800 | 1 | Flatwasher 1/2" Wide | |
| 115 | 4891800 | 2 | Flatwasher, Hardened | |
| 116 | 1001095354 | 1 | Gear Pump Assy with Fittings | |
| | 2220415 | 1 | Fitting | |
| | 1001094595 | 1 | Gear Pump Less Fittings | |
| | 7023967 | 1 | Seal Kit - 1001094595 Pump | |
| | 7023956 | 1 | Valve Assembly Kit - 1001094595 Pump | |
| | 1001114632 | Ref. | GM ENGINE ASSEMBLY | B |
| 201 | 0080201 | 1 | Fitting, 90° | |
| 202 | 0100011 | A/R | Compound, Locking | |
| 203 | 1001114595 | 1 | Engine, GM 3.0L Options (See GM Engine Supplement P/N 3121245 for Breakdown of Additional Components): | |
| 203A | 7027965 | 1 | Filter, Oil | |
| 203B | 7027972 | 1 | Filter, Fuel | |
| 203C | 70002895 | 1 | Module, Control (ECU) | |
| 203D | 70000164 | 4 | Sparkplug (Not Shown) | |
| 204 | 0340041 | 2 | Band, Mounting | |
| 205 | 0641406 | 10 | Bolt 1/4"-20NC x 3/4" | |
| 206 | 0641606 | 3 | Bolt 3/8"-16NC x 3/4" | |
| 207 | 0641608 | 8 | Bolt 3/8"-16NC x 1" | |
| 208 | 0641609 | 4 | Bolt 3/8"-16NC x 1 1/8" | |
| 209 | 0641610 | 10 | Bolt 3/8"-16NC x 1 1/4" | |
| 210 | 0641612 | 4 | Bolt 3/8"-16NC x 1 1/2" | |
| 205 | 0641406 | 10 | Bolt 1/4"-20NC x 3/4" | |
| 206 | 0641606 | 3 | Bolt 3/8"-16NC x 3/4" | |
| 207 | 0641608 | 8 | Bolt 3/8"-16NC x 1" | |
| 208 | 0641609 | 4 | Bolt 3/8"-16NC x 1 1/8" | |
| 209 | 0641610 | 10 | Bolt 3/8"-16NC x 1 1/4" | |
| 210 | 0641612 | 4 | Bolt 3/8"-16NC x 1 1/2" | |
| 211 | 0641828 | 2 | Bolt 1/2"-13NC x 3 1/2" | |
| 212 | 0700810 | 4 | Bolt M8 x 20mm | |
| 213 | 0940070 | 1 | Bumper | |
| 214 | 0961986 | 2 | Bearing, Flanged | |
| 215 | 1320012 | 3 | Clamp | |
| 216 | 1320016 | 5 | Clamp | |
| 217 | 1320022 | 4 | Clamp | |
| 218 | 1320223 | 3 | Clamp | |
| 219 | 1340060 | 1 | Air Cleaner Assembly | |
| | 7012664 | 1 | Element, Air Cleaner | |
| 220 | 1580011 | 1 | Container, Coolant Overflow | |
| 221 | 1703162 | 2 | Decal - Caution Fan | |
| 222 | 0100020 | A/R | Sealant, Pipe | |

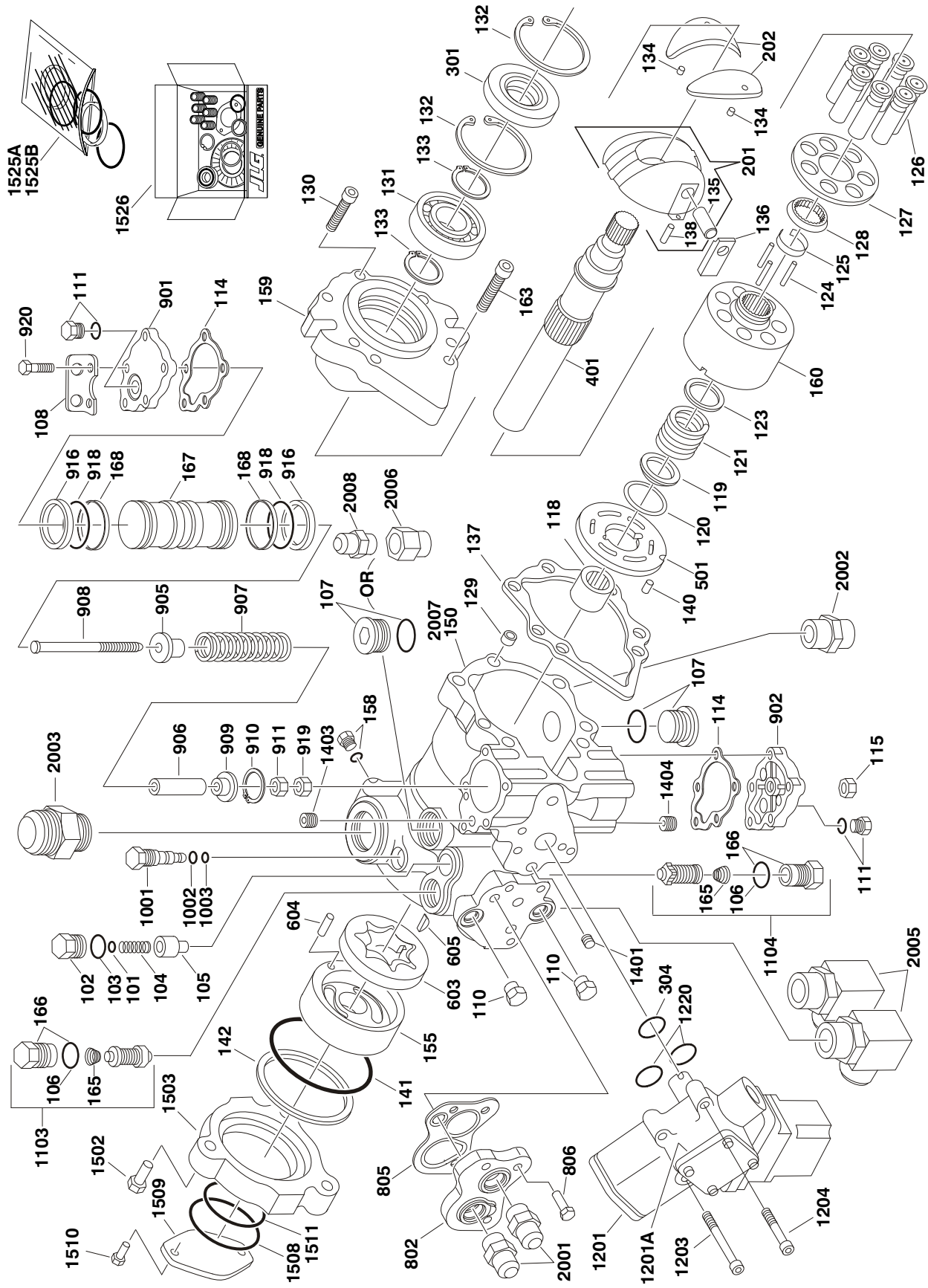
SECTION 2 TURNTABLE

FIGURE 2-9. GM ENGINE INSTALLATION (CONTINUED)

| ITEM # | PART NUMBER | QTY. | DESCRIPTION | REV. |
|--------|-------------|------------|---------------------------------------|------|
| 223 | 2060025 | 1 | Fan | |
| 224 | Not Used | | | |
| 225 | 2720058 | 5.5in/14cm | Hose | |
| 226 | 1001116544 | 1 | Duct | |
| 227 | 2720563 | 1 | Hose, Radiator (Top) | |
| 228 | 2720564 | 1 | Hose, Radiator (Bottom) | |
| 229 | Use 2750532 | 6in/15.2cm | Hose (was p/n 1001091892) | |
| 230 | 1001091794 | 1 | Insulation, Muffler | |
| 231 | 3200362 | 4 | Mount, Engine | |
| 232 | 3311405 | 12 | Locknut 1/4"-20NC | |
| 233 | 3311605 | 26 | Locknut 3/8"-16NC | |
| 234 | 3311805 | 4 | Locknut 1/2"-13NC | |
| 235 | 3539872 | 1 | Plate, Radiator Mounting | |
| 236 | 3572280 | 1 | Plate, Engine Mount | |
| 237 | 3620040 | 1 | Radiator | |
| | 7019656 | 1 | Cap, Radiator | |
| 238 | 3740067 | 1 | Relay | |
| 239 | 3960468 | 1 | Seal | |
| 240 | 3960469 | 1 | Seal | |
| 241 | 4060805 | 3ft/0.9m | Seal | |
| 242 | 4341239 | 1 | Tray, Engine | |
| 243 | 4341241 | 1 | Mount, Engine (Front) | |
| 244 | 1001116545 | 1 | Tube, Intake | |
| 245 | 1001093248 | 1 | Pipe, Exhaust | |
| 246 | Use 4640952 | 1 | Valve, Oil Drain (was p/n 1001105872) | |
| 247 | 4711400 | 12 | Flatwasher 1/4" Narrow | |
| 248 | 4711600 | 36 | Flatwasher 3/8" Narrow | |
| 249 | 4740274 | 4 | Flatwasher, Snubbing | |
| 250 | 4751400 | 8 | Flatwasher 1/4" Wide | |
| 251 | 4751600 | 16 | Flatwasher 3/8" Wide | |
| 252 | 4751800 | 4 | Flatwasher 1/2" Wide | |
| 253 | 4791400 | 2 | Starwasher 1/4" | |
| 254 | 4831900 | 4 | Lockwasher 8mm | |
| 255 | 4920385 | 10ft/3m | Wire, Safety | |
| 256 | 2180877 | 1 | Fitting 90° | |
| 257 | 0641826 | 2 | Bolt 1/2"-13NC x 3 1/4" | |
| 258 | 2720271 | 18in/46cm | Hose | |

SECTION 2 TURNTABLE

FIGURE 2-10. PISTON PUMP ASSEMBLY



SECTION 2 TURNTABLE

FIGURE 2-10. PISTON PUMP ASSEMBLY

| ITEM # | PART NUMBER | QTY. | DESCRIPTION | REV. |
|------------|---------------|------|--|------|
| | 3600295 | Ref. | PISTON PUMP ASSEMBLY | A |
| 1 to 100 | Not Used | | | |
| 101 | 7007413 | 1 | Shim Kit | |
| 102 | 7007414 | 1 | Plug | |
| 103 | See Note | 1 | O-Ring (Note: Use Item 1525A.) | |
| 104 | 7021200 | 1 | Spring, Relief Valve | |
| 105 | 7007417 | 1 | Valve, Relief | |
| 106 | See Note | 2 | O-Ring (Note: Use Item 1525A.) | |
| 107 | 7007419 | 2 | Plug | |
| 108 | 7021201 | 1 | Bracket, Lifting | |
| 109 | Not Used | | | |
| 110 | 7007470 | 2 | Plug | |
| 111 | 7007470 | 2 | Plug | |
| 112 to 113 | Not Used | | | |
| 114 | See Note | 2 | Gasket, Servo Cover (Note: Use Item 1525A.) | |
| 115 | 7007423 | 1 | Nut, Special | |
| 116 to 117 | Not Used | | | |
| 118 | 7007425 | 1 | Bearing, Needle | |
| 119 | Use Item 1526 | 1 | Ring, Retaining | |
| 120 | Use Item 1526 | 1 | Washer | |
| 121 | Use Item 1526 | 1 | Spring | |
| 122 | Not Used | | | |
| 123 | Use Item 1526 | 1 | Washer | |
| 124 | Use Item 1526 | 1 | Retainer | |
| 125 | Use Item 1526 | 3 | Pin, Slipper Holddown | |
| 126 | Use Item 1526 | 7 | Piston Assembly | |
| 127 | Use Item 1526 | 1 | Retainer, Slipper | |
| 128 | Use Item 1526 | 1 | Guide, Retainer | |
| 129 | 7007435 | 1 | Pin, Spring | |
| 130 | 7021202 | 1 | Screw, 12 Point Head | |
| 131 | 7007437 | 1 | Bearing, Ball | |
| 132 | 7007438 | 2 | Ring, Retainer | |
| 133 | 7007439 | 2 | Ring | |
| 134 | 7021203 | 2 | Pin, Spring | |
| 135 | 7007441 | 1 | Handle, Pin | |
| 136 | 7007442 | 1 | Sleeve, Bearing | |
| 137 | See Note | 1 | Gasket, Front Cover (Note: Use Item 1525A.) | |
| 138 | 7021205 | 1 | Pin | |
| 139 | Not Used | | | |
| 140 | 7007446 | 1 | Pin | |
| 141 | See Note | 1 | O-Ring (Note: Use Item 1525A.) | |
| 142 | See Note | 1 | Ring, Load Temper (Note: Use Item 1525A.) | |
| 143 to 149 | Not Used | | | |
| 150 | Not Serviced | 1 | Housing, Pump | |
| 151 to 154 | Not Used | | | |
| 155 | 7007452 | 1 | Cover, Gerotor | |
| 156 to 157 | Not Used | | | |
| 158 | 7007208 | 1 | Plug | |

SECTION 2 TURNTABLE

FIGURE 2-10. PISTON PUMP ASSEMBLY (CONTINUED)

| ITEM # | PART NUMBER | QTY. | DESCRIPTION | REV. |
|-------------|---------------|------|--|------|
| 159 | 7007454 | 1 | Cover, Front | |
| 160 | Not Available | | | |
| 161 to 162 | Not Used | | | |
| 163 | 7021207 | 6 | Screw | |
| 164 | Not Used | | | |
| 165 | 7021208 | 2 | Spring | |
| 166 | 7021209 | 2 | Plug, SCR | |
| 167 | 7007494 | 1 | Piston, Servo | |
| 168 | See Note | 2 | Bearing (Note: Use Item 1525A.) | |
| 169 to 200 | Not Used | | | |
| 201 | 7007457 | 1 | Swashplate Assembly (Includes Items 135 & 138) | |
| 202 | 7021212 | 2 | Journal, Bearing | |
| 203 to 300 | Not Used | | | |
| 301 | See Note | 1 | Seal, Lip (Note: Use Item 1525A.) | |
| 302 to 303 | Not Used | | | |
| 304 | See Note | 1 | O-Ring (Note: Use Item 1525A.) | |
| 305 to 400 | Not Used | | | |
| 401 | 7021213 | 1 | Shaft, Main Pump | |
| 402 to 500 | Not Used | | | |
| 501 | 7021214 | 1 | Plate, Valve | |
| 502 to 602 | Not Used | | | |
| 603 | 7007463 | 1 | Gerotor Assembly | |
| 604 | 7007464 | 1 | Pin | |
| 605 | 7007465 | 1 | Key, Woodruff | |
| 606 to 801 | Not Used | | | |
| 802 | 7007466 | 1 | Adaptor, Remote Filtration | |
| 803 to 804 | Not Used | | | |
| 805 | See Note | 1 | Seal, Filter Adapter (Note: Use Item 1525A.) | |
| 806 | 7021218 | 3 | Screw | |
| 807 to 900 | Not Used | | | |
| 901 | 7021219 | 1 | Cover, Servo | |
| 902 | 7021220 | 1 | Cover, Servo | |
| 903 to 904 | Not Used | | | |
| 905 | 7007483 | 1 | Guide, Spring | |
| 906 | 7007484 | 1 | Stop, Servo | |
| 907 | 7007485 | 1 | Spring | |
| 908 | 7021221 | 1 | Screw | |
| 909 | 7007487 | 1 | Guide, Spring | |
| 910 | 7007488 | 1 | Ring, Retaining | |
| 911 | 7021222 | 1 | Nut | |
| 912 to 915 | Not Used | | | |
| 916 | See Note | 2 | Ring, Piston (Note: Use Item 1525A or 1525B.) | |
| 917 | Not Used | | | |
| 918 | See Note | 2 | O-Ring (Note: Use Item 1525A or 1525B.) | |
| 919 | 7021206 | 1 | Nut | |
| 920 | 7021223 | 10 | Screw | |
| 921 to 1000 | Not Used | | | |
| 1001 | 7007472 | 1 | Valve, Bypass | |
| 1002 | See Note | 1 | Ring, Back-up (Note: Use Item 1525A.) | |

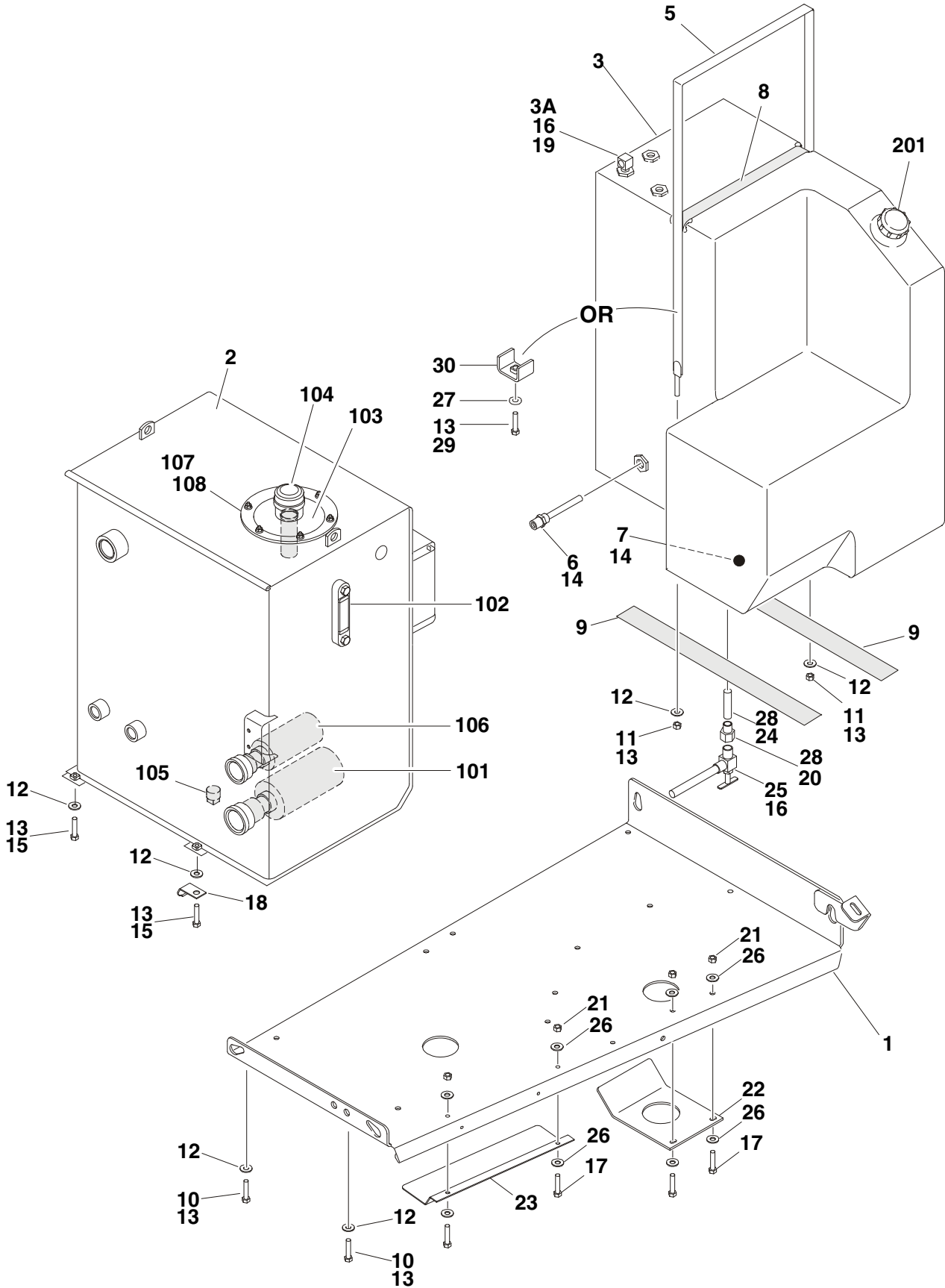
SECTION 2 TURNTABLE

FIGURE 2-10. PISTON PUMP ASSEMBLY (CONTINUED)

| ITEM # | PART NUMBER | QTY. | DESCRIPTION | REV. |
|--------------|-------------|------|---|------|
| 1003 | See Note | 1 | O-Ring (Note: Use Item 1525A.) | |
| 1004 to 1102 | Not Used | | | |
| 1103 | 7010122 | 1 | SCR Kit (Includes Items 166, 106 & 165) | |
| 1104 | 7010122 | 1 | SCR Kit (Includes Items 166, 106 & 165) | |
| 1105 to 1200 | Not Used | | | |
| 1201 | 7007474 | 1 | Control, Dual Oil-Filled | |
| | 7007496 | 1 | Coil Assembly (Pilot) | |
| | 7007497 | 1 | Plug (Pump) | |
| | 7007498 | 1 | Plug (Valve Harness) | |
| 1201A | 7024828 | 1 | Gasket, Cover | |
| 1202 | Not Used | | | |
| 1203 | 7007478 | 2 | Screw | |
| 1204 | 7001498 | 2 | Screw | |
| 1205 to 1219 | Not Used | | | |
| 1220 | See Note | 2 | O-Ring (Note: Use Item 1525A.) | |
| 1221 to 1400 | Not Used | | | |
| 1401 | 7007475 | 1 | Plug, Orifice/Screen (.156) | |
| 1402 | Not Used | | | |
| 1403 | 7021226 | 1 | Plug, Orifice | |
| 1404 | 7021226 | 1 | Plug, Orifice | |
| 1405 to 1501 | Not Used | | | |
| 1502 | 7007453 | 3 | Screw | |
| 1503 | 7021227 | 1 | Adapter, Flange | |
| 1504 to 1507 | Not Used | | | |
| 1508 | 7021228 | 1 | O-Ring | |
| 1509 | 7021229 | 1 | Plate, Cover | |
| 1510 | 7021230 | 2 | Screw | |
| 1511 | 7021231 | 1 | O-Ring | |
| 1512 to 1524 | Not Used | | | |
| 1525 | | 1 | Seal Kit Options: | |
| 1525A | 2900752 | | Seal Kit, Complete (Includes Items 103, 106, 114, 137, 141, 142, 168, 301, 304, 805, 916, 918, 1002, 1003 & 1220) | |
| 1525B | 7007412 | | Seal Kit, Servo Piston (Includes Items 916 and 918) | |
| 1526 | 7010116 | 1 | Cylinder Block Kit (Includes Items 119-128) | |
| | 3600400 | Ref. | PISTON PUMP AND FITTING ASSEMBLY | C |
| 2001 | 2220374 | 2 | Fitting, Straight | |
| 2002 | 2220451 | 1 | Fitting, Straight | |
| 2003 | 2220479 | 1 | Fitting, Straight | |
| 2004 | Not Used | | | |
| 2005 | 2220646 | 2 | Fitting, 90° | |
| 2006 | 2220221 | 1 | Fitting, Reducer | |
| 2007 | 3600295 | 1 | Pump Assembly (Includes Items 1 - 1511) | |
| 2008 | 2220582 | 1 | Fitting, Straight | |

SECTION 2 TURNTABLE

FIGURE 2-11. TANK INSTALLATIONS



SECTION 2 TURNTABLE

FIGURE 2-11. TANK INSTALLATIONS

| ITEM # | PART NUMBER | QTY. | DESCRIPTION | REV. |
|--------|----------------|------------|---|------|
| | | Ref. | TANKS INSTALLATION OPTIONS: | |
| | 0258382 | Ref. | Diesel | E |
| | | Ref. | Gas | |
| | 0270396 | Ref. | USA Built Machines S/N 0300140585 to S/N 0300141585 | I |
| | 1001116342 | Ref. | USA Built Machines S/N 0300141585 to Present & China Built Machines S/N B300000100 | A |
| 1 | 1001091928 | 1 | Tray Weldment | |
| 2 | 4400452 | 1 | Hydraulic Tank Assy (See Items 101-108 for Breakdown) | |
| 3 | | 1 | Tank, Fuel (Includes Non-Locking Cap) | |
| | 4400400 | | Diesel | |
| | | | Gas Options: | |
| | Use 1001117052 | | USA Built Machines S/N 0300140585 to S/N 0300141585 (was p/n 1001091562) | |
| | 1001111514 | | USA Built Machines S/N 0300141585 to Present & China Built Machines S/N B300000100 | |
| 3A | | 1 | Fitting and Pick-up Tube Options: | |
| | 7019658 | | 4400400 Tank | |
| | Not Available | | 1001091562 Tank | |
| | 70002716 | | 1001111514 Tank | |
| 4 | Not Used | | | |
| 5 | 4240113 | 1 | Strap, Tank | |
| 6 | 4360436 | 1 | Switch, Fuel Level | |
| 7 | 2200222 | 1 | Fitting (Diesel Only) | |
| 8 | 4280295 | 25in/44cm | Strip, Protective (Diesel Only) | |
| 9 | 4420038 | 70in/1.78m | Tape, Rubber | |
| 10 | 0641614 | 6 | Bolt 3/8"-16NC x 1 3/4" | |
| 11 | 3311601 | 2 | Nut 3/8"-16NC (Diesel Only) | |
| 12 | 4751600 | A/R | Flatwasher 3/8" | |
| 13 | 0100011 | A/R | Compound, Locking | |
| 14 | 0100079 | A/R | Sealant | |
| 15 | 0641607 | 4 | Bolt 3/8"-16NC x 7/8" | |
| | | Ref. | Note: Items 16 - 30 Used on Gas Machines Only | |
| 16 | 0100020 | A/R | Sealant, Pipe | |
| 17 | 0641508 | 4 | Bolt 5/16"-18NC x 1" | |
| 18 | 1320223 | 1 | Clamp | |
| 19 | 2200233 | 1 | Plug | |
| 20 | 2221270 | 1 | Fitting, Brass | |
| 21 | 3311505 | 4 | Locknut 5/16"-18NC | |
| 22 | 3572423 | 1 | Plate, Valve, Needle | |
| 23 | 3576755 | 1 | Cover, Fuel Pump | |
| 24 | 4568119 | 1 | Tube, Fuel | |
| 25 | 4641022 | 1 | Valve, Needle | |
| 26 | 4711500 | 8 | Flatwasher 5/16" | |
| 27 | 4751800 | 2 | Flatwasher 1/2" | |
| 28 | 0100062 | A/R | Retaining Compound | |
| 29 | 0641818 | 2 | Bolt 1/2"-13NC x 2 1/4" | |
| 30 | 1001118133 | 2 | Bracket, Tank Clamping (USA Built Machines S/N 0300141585 to Present & China Built Machines S/N B300000100) | |

SECTION 2 TURNTABLE

FIGURE 2-11. TANK INSTALLATIONS (CONTINUED)

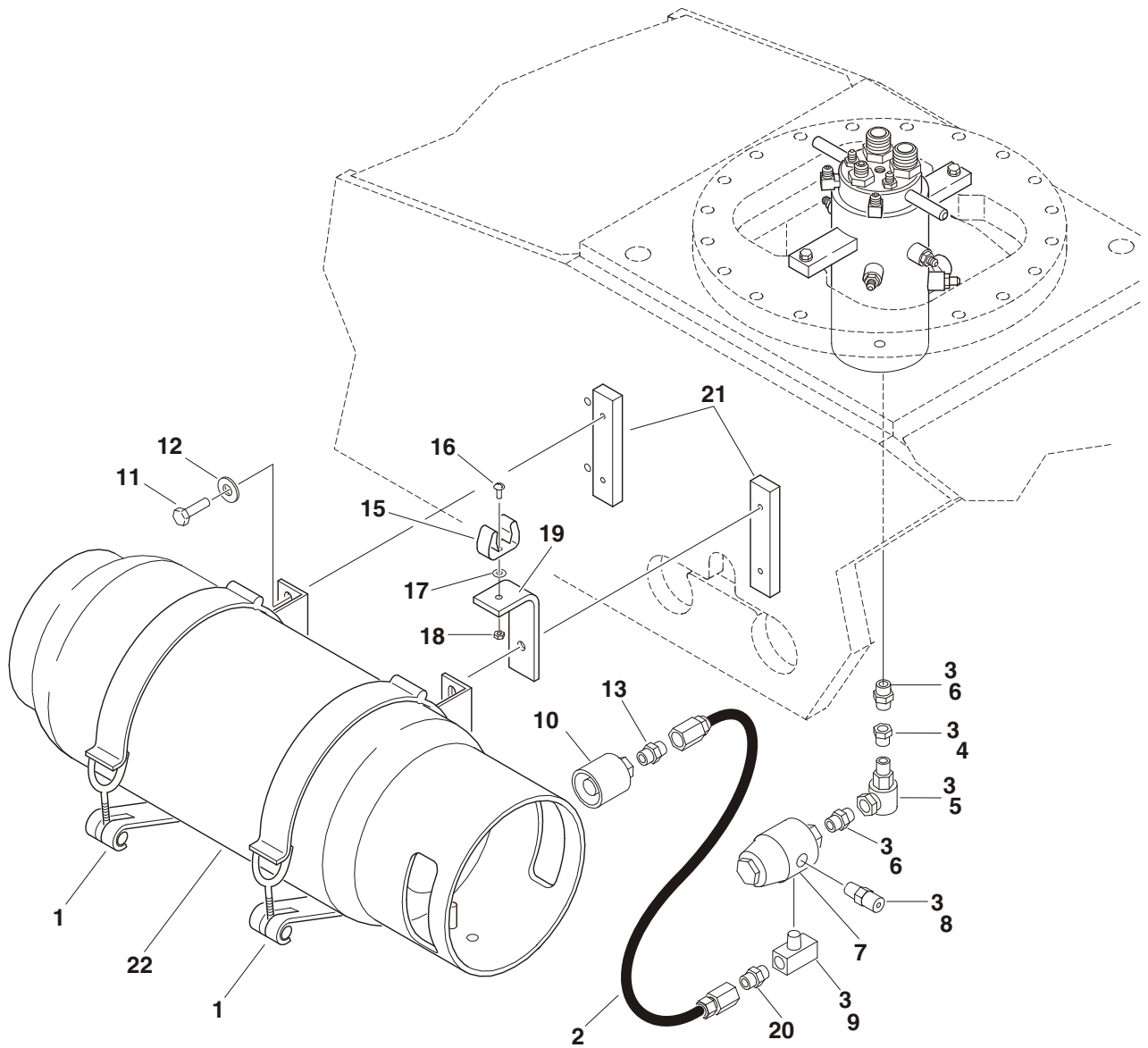
| ITEM # | PART NUMBER | QTY. | DESCRIPTION | REV. |
|--------|-------------|------|---|------|
| | 4400452 | Ref. | HYDRAULIC TANK ASSEMBLY | E |
| 101 | 7024481 | 1 | Strainer 1 1/2"NPT | |
| 102 | 7024441 | 1 | Gauge, Sight | |
| 103 | 7024443 | 1 | Neck, Fill | |
| | 7024445 | 1 | Screen | |
| 104 | 7024444 | 1 | Breather/Fill Cap | |
| 105 | 7024446 | 1 | Plug, Magnetic | |
| 106 | 7024442 | 1 | Strainer 1 1/4"NPT | |
| 107 | 7024439 | 1 | Cover | |
| 108 | 7024440 | 1 | Gasket | |
| | | Ref. | FUEL TANK CAP INSTALLATION | |
| 201 | | 1 | Cap Options: Standard Non-Locking Options (Part of Item 3): Diesel Machines Gas Machines with OEM Tank (Mounts with Item 5 Strap) (USA Built Machines S/N 0300140000 to S/N 0300141585) Gas Machines with Service Replacement Tank (Mounts with Item 18 Bracket) (USA Built Machines S/N 0300140000 to S/N 0300141585) Gas Machines (USA Built Machines S/N 0300141585 to Present & China Built Machines S/N B300000100 to Present) Optional Lockable (Diesel Machines) | |
| | 7016314 | | | |
| | 70001103 | | | |
| | 70002716 | | | |
| | 70002716 | | | |
| | 1120487 | | | |

FIGURE 2-11. TANK INSTALLATIONS (CONTINUED)

| ITEM # | PART NUMBER | QTY. | DESCRIPTION | REV. |
|--------|-------------|------|-------------|------|
| | | | | |

SECTION 2 TURNTABLE

FIGURE 2-12. LP TANK INSTALLATIONS (GM ENGINE MACHINES ONLY)



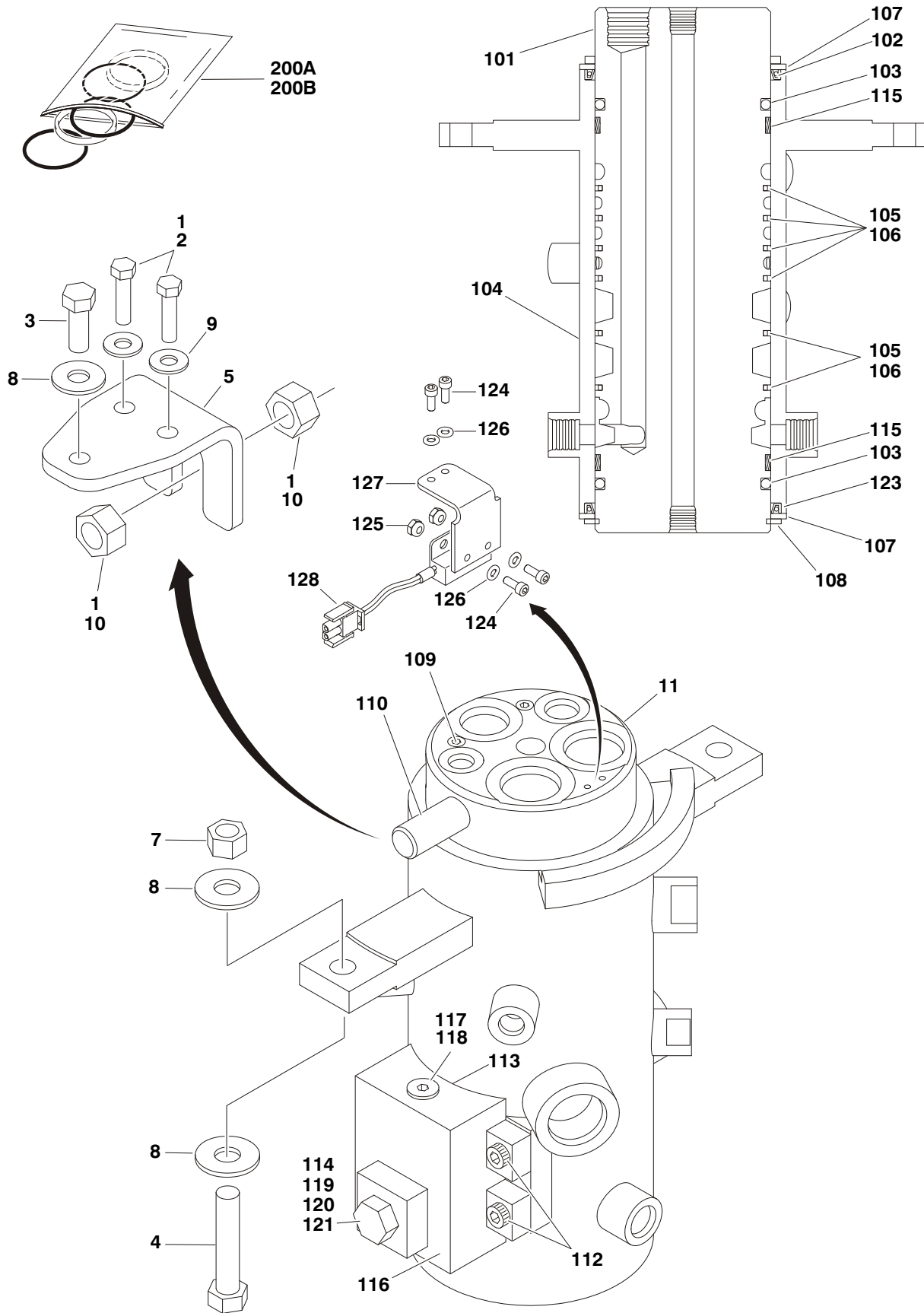
SECTION 2 TURNTABLE

FIGURE 2-12. LP TANK INSTALLATIONS (GM ENGINE MACHINES ONLY)

| ITEM # | PART NUMBER | QTY. | DESCRIPTION | REV. |
|--------|-------------|------|--|------|
| | 0255524 | Ref. | LP TANK AND BRACKETS INSTALLATION | 9/F |
| 1 | 1320220 | 2 | Clamp Kit - LP | |
| | 1320127 | 2 | Clamp, Toggle (1 Per Clamp) | |
| 2 | 2720144 | 2 | Hose | |
| 3 | 0100020 | A/R | Sealant, Pipe | |
| 4 | 2221197 | 1 | Fitting, Reducer | |
| 5 | 2180125 | 1 | Fitting - 90° | |
| 6 | 2220261 | 2 | Fitting, Nipple | |
| 7 | 2180388 | 1 | Filter, Bulkhead | |
| 8 | 2180389 | 1 | Valve, Relief | |
| 9 | 2220418 | 1 | Fitting, Tee | |
| 10 | 2180387 | 2 | Fitting, LP Tank | |
| 11 | 0641606 | 8 | Bolt 3/8"-16NC x 3/4" | |
| 12 | 4751600 | 8 | Flatwasher 3/8" | |
| 13 | 2180418 | 2 | Fitting, Straight | |
| 14 | Not Used | | | |
| 15 | 1320218 | 2 | Clamp, Spring | |
| 16 | 3910808 | 2 | Screw, Machine #8-32NC x 1/2" | |
| 17 | 4750800 | 4 | Flatwasher #8 | |
| 18 | 3310805 | 2 | Locknut #8-32NC | |
| 19 | 0181949 | 2 | Support, Angle | |
| 20 | 2221024 | 2 | Fitting, Ball Check | |
| 21 | 0362519 | 4 | Bar, Clamp | |
| 22 | | 1 | LP Tank Options: | |
| | 4400275 | | Aluminum | |
| | 4400420 | | Steel | |

SECTION 2 TURNTABLE

FIGURE 2-13. ROTARY COUPLING INSTALLATION



SECTION 2 TURNTABLE

FIGURE 2-13. ROTARY COUPLING INSTALLATION

| ITEM # | PART NUMBER | QTY. | DESCRIPTION | REV. |
|--------|-----------------|------|---|------|
| | | Ref. | ROTARY COUPLING INSTALLATION | |
| | 1001107529 | Ref. | 2WS | A |
| | 1001107530 | Ref. | 4WS | A |
| 1 | 0100011 | A/R | Compound, Locking | |
| 2 | 0641611 | 2 | Bolt 3/8"-16NC x 1 3/8" | |
| 3 | 0641812 | 1 | Bolt 1/2"-13NC x 1 1/2" | |
| 4 | 0641820 | 2 | Bolt 1/2"-13NC x 2 1/2" | |
| 5 | 0903056 | 1 | Bracket | |
| 6 | Not Used | | | |
| 7 | 3271805 | 2 | Locknut 1/2"-13NC | |
| 8 | 4751800 | 5 | Flatwasher 1/2" | |
| 9 | 4891600 | 2 | Flatwasher 3/8" Hardened | |
| 10 | 3322201 | 2 | Locknut 3/4" x 16NF | |
| 11 | | 1 | Coupling, Rotary Options (See Items 101-128 for Breakdown): | |
| | 1001106974 | | 2WS | |
| | 1001106975 | | 4WS | |
| | | Ref. | ROTARY COUPLING ASSEMBLY | |
| | 1001106974 | | 2WS | B |
| | 1001106975 | | 4WS | B |
| 101 | Not Serviceable | 1 | Body | |
| 102 | | 1 | Seal Options: | |
| | Use Item 200A | | 2WS | |
| | Use Item 200B | | 4WS | |
| 103 | See Note | 2 | O-Ring (Note: Use Item 200A or 200B) | |
| 104 | Not Serviceable | 1 | Housing | |
| 105 | | A/R | Seal, Cap | |
| | Use Item 200A | 6 | 2WS | |
| | Use Item 200B | 9 | 4WS | |
| 106 | | A/R | O-Ring | |
| | Use Item 200A | 6 | 2WS | |
| | Use Item 200B | 9 | 4WS | |
| 107 | | 2 | Ring Options: | |
| | 7026503 | | 2WS | |
| | 7026511 | | 4WS | |
| 108 | | 1 | Ring, Retaining Options: | |
| | 7026504 | | 2WS | |
| | 7013189 | | 4WS | |
| 109 | | A/R | Plug Options: | |
| | 80934561 | 2 | 2WS | |
| | 80934561 | 4 | 4WS | |
| 110 | Not Serviceable | 1 | Lug, Torque | |
| 111 | Not Used | | | |
| 112 | 7026197 | 4 | Bolt 5/16"-18NC x 1 1/4" | |
| 113 | See Note | 3 | O-Ring (Note: Use Item 200A or 200B) | |
| 114 | See Note | 1 | O-Ring (Note: Use Item 200A or 200B) | |
| 115 | See Note | 2 | Bearing (Note: Use Item 200A or 200B) | |

SECTION 2 TURNTABLE

FIGURE 2-13. ROTARY COUPLING INSTALLATION (CONTINUED)

| ITEM # | PART NUMBER | QTY. | DESCRIPTION | REV. |
|------------|---------------|------|--|------|
| 116 | 7024404 | 1 | Block Valve Assembly | |
| 117 | 7026505 | 1 | Plug | |
| 118 | 7026506 | 1 | Valve, Check | |
| 119 | 7026507 | 1 | Plug | |
| 120 | Not Serviced | 1 | Plunger, Valve (Use p/n 7024404) | |
| 121 | 7026509 | 1 | Spring, Compression | |
| 122 | Not Serviced | A/R | Protective Netting (Not Shown) | |
| 123 | | 1 | Seal Options: | |
| | Use Item 200A | | 2WS | |
| | Use Item 200B | | 4WS | |
| 124 | Not Serviced | 4 | Screw, Socket Head #10-24NC x 1/2" | |
| 125 | Not Serviced | 2 | Locknut #10-24NC | |
| 126 | Not Serviced | 4 | Flatwasher #10 | |
| 127 | 70003454 | 1 | Bracket, Switch Mounting | |
| 128 | 4360517 | 1 | Switch, Proximity | |
| 129 to 199 | Not Used | | | |
| 200 | | 1 | Seal Kit Options: | |
| 200A | 70001248 | | 2WS (Includes Items 102,103,105,106,113,114,115 & 123) | |
| 200B | 70002212 | | 4WS (Includes Items 102,103,105,106,113,114,115 & 123) | |

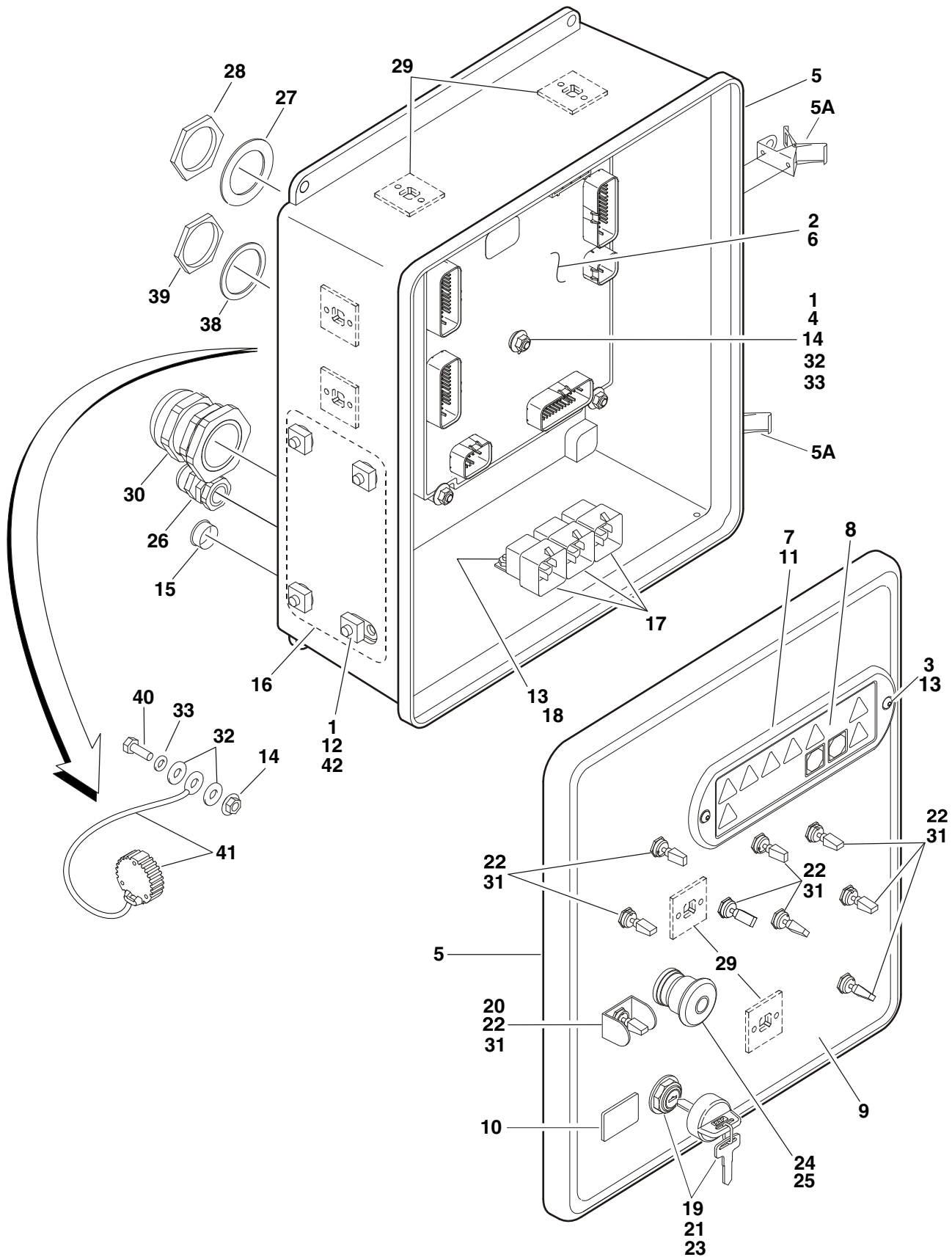
SECTION 2 TURNTABLE

FIGURE 2-13. ROTARY COUPLING INSTALLATION (CONTINUED)

| ITEM # | PART NUMBER | QTY. | DESCRIPTION | REV. |
|--------|-------------|------|-------------|------|
| | | | | |

SECTION 2 TURNTABLE

FIGURE 2-14. GROUND CONTROL BOX ASSEMBLY



SECTION 2 TURNTABLE

FIGURE 2-14. GROUND CONTROL BOX ASSEMBLY

| ITEM # | PART NUMBER | QTY. | DESCRIPTION | REV. |
|--------|-------------|------|--|------|
| | | Ref. | GROUND CONTROL BOX ASSEMBLIES | |
| | | Ref. | All Specs Except Australian & CE Specs | |
| | 1001110317 | Ref. | 800A with Caterpillar Engine | B |
| | 1001110318 | Ref. | 800AJ with Caterpillar Engine | C |
| | 1001110313 | Ref. | 800A with Deutz Engine | B |
| | 1001110314 | Ref. | 800AJ with Deutz Engine | B |
| | 1001110311 | Ref. | 800A with GM Engine | A |
| | 1001110312 | Ref. | 800AJ with GM Engine | A |
| | | Ref. | CE Specs | |
| | 1001110319 | Ref. | 800A with Caterpillar Engine | B |
| | 1001110320 | Ref. | 800AJ with Caterpillar Engine | B |
| | 1001110315 | Ref. | 800A with Deutz Engine | B |
| | 1001110316 | Ref. | 800AJ with Deutz Engine | B |
| | | Ref. | Australian CE Specs | |
| | | Ref. | 800AJ with Caterpillar Engine Options: | |
| | 1001110320 | Ref. | USA Built Machines S/N 0300140000 to S/N 0300149103 & China Built Machines S/N B300000100 to S/N B300000276 | B |
| | 1001110318 | Ref. | USA Built Machines S/N 0300149103 to Present & China Built Machines S/N B300000276 to Present | C |
| | | Ref. | 800AJ with Deutz Engine Options: | |
| | 1001110316 | Ref. | USA Built Machines S/N 0300140000 to S/N 0300149103 & China Built Machines S/N B300000100 to S/N B300000276 | B |
| | 1001110314 | Ref. | USA Built Machines S/N 0300149103 to Present & China Built Machines S/N B300000276 to Present | B |
| 1 | 0100011 | A/R | Compound, Locking | |
| 2 | 0100048 | A/R | Grease, Dielectric | |
| 3 | 0630518 | 2 | Capscrew, Button Head | |
| 4 | 0630548 | 5 | Bolt, 2 1/2" Tap | |
| 5 | 1001110199 | 1 | Box, Fiberglass | |
| 5A | 7020246 | 2 | Latch | |
| 6 | 1001103667 | 1 | Module, Ground Control | |
| 7 | 1670829 | 1 | Bezel | |
| 8 | 1706712 | 1 | Decal - Ground Control Display | |
| 9 | | 1 | Decal - Faceplate Options: | |
| | 1001102599 | | 800A | |
| | 1001102600 | | 800AJ | |
| 10 | 2420172 | 1 | Gauge, Hourmeter | |
| 11 | 2760105 | 1 | Housing, Display Light | |
| 12 | 3300205 | 4 | Nut, Retainer | |
| 13 | 3300408 | A/R | Locknut, Plastic Insert | |
| 14 | 77143013 | 11 | Nut 1/4"-20NC | |
| 15 | 3520035 | 1 | Plug, Cap | |
| 16 | 3539219 | 1 | Plate, Reinforcement | |
| 17 | 3740049 | A/R | Relay Options: | |
| | | 3 | Caterpillar Engine Machines | |
| | | 2 | Deutz & GM Engine Machines | |
| 18 | 3900268 | A/R | Screw, Flange #10 x 1/2" | |
| 19 | 3910804 | 6 | Screw #8-32NC x 1/4" | |
| 20 | 4060906 | 1 | Shield, Toggle Switch | |

SECTION 2 TURNTABLE

FIGURE 2-14. GROUND CONTROL BOX ASSEMBLY (CONTINUED)

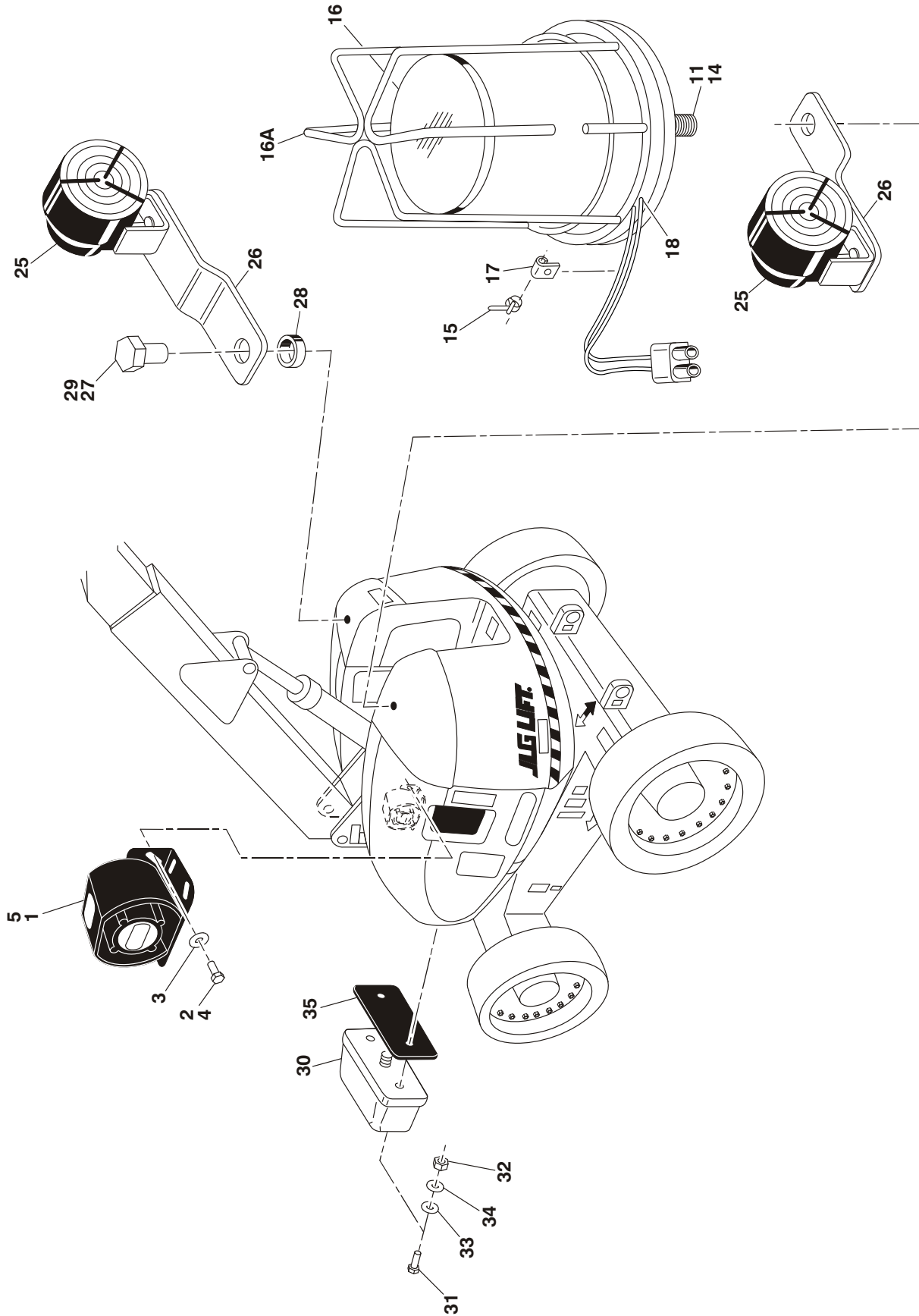
| ITEM # | PART NUMBER | QTY. | DESCRIPTION | REV. |
|--------|-------------|------|---|------|
| 21 | 4070987 | 1 | Shim (.015") | |
| 22 | 4360328 | A/R | Switch, Toggle | |
| | | 8 | 800A | |
| | | 9 | 800AJ | |
| 23 | | 1 | Switch, Key Options: | |
| | 4360469 | | All Specs Except Australian & CE Specs | |
| | 4360470 | | CE Specs | |
| | | | Australian CE Specs | |
| | 4360470 | 1 | USA Built Machines S/N 0300140000 to S/N 0300149103 & China Built Machines S/N B300000100 to S/N B300000276 | |
| | 4360469 | 1 | USA Built Machines S/N 0300149103 to Present & China Built Machines S/N B300000276 to Present | |
| | 2860030 | 1 | Key Replacement | |
| 24 | 4360475 | 1 | Switch, Emergency Stop | |
| | 7020175 | 1 | Cap, Mushroom | |
| | 7020176 | 1 | Block, Contact | |
| 25 | 4360476 | 1 | Switch, Contact Block | |
| 26 | 4460426 | 1 | Connector, Strain Relief | |
| 27 | 4460470 | 1 | Nut, Terminal | |
| 28 | 4460471 | 1 | Lockwasher, Terminal | |
| 29 | 4460488 | 6 | Mounting Base, Terminal | |
| 30 | 4460526 | 1 | Connector, Strain Relief | |
| 31 | 4740444 | A/R | Washer, Special | |
| 32 | 4751400 | 12 | Flatwasher 1/4" | |
| 33 | 4761400 | 6 | Lockwasher 1/4" | |
| 34 | 4922557 | 1 | Harness, Valve (Not Shown - See Section 7 for Break- down) | |
| 35 | | 1 | Harness, Engine Options (Not Shown - See Section 7 for Breakdown): | |
| | 1001110324 | | Caterpillar Engine Machines | |
| | 1001110222 | | Deutz Engine Machines | |
| | 1001110221 | | GM Engine Machines | |
| 36 | 1001110225 | 1 | Harness, Ground Control Box Options (Not Shown - See Section 7 for Breakdown): | |
| 37 | | 1 | Ground Control Box Wiring Diagram (Not Shown - See Section 7 for Breakdown) | |
| | 1001110323 | | Caterpillar Engine Machines | |
| | 1001110322 | | Deutz Engine Machines | |
| | 1001110321 | | GM Engine Machines | |
| 38 | 4460496 | 1 | Lockwasher, Terminal | |
| 39 | 4460497 | 1 | Nut, Terminal | |
| 40 | 0641407 | 1 | Bolt 1/4"-20NC x 7/8" | |
| 41 | 1001106736 | 1 | Cap, Dust | |
| 42 | 0641506 | 4 | Bolt 5/16"-18NC x 3/4" | |

FIGURE 2-14. GROUND CONTROL BOX ASSEMBLY (CONTINUED)

| ITEM # | PART NUMBER | QTY. | DESCRIPTION | REV. |
|--------|-------------|------|-------------|------|
| | | | | |

SECTION 2 TURNTABLE

FIGURE 2-15. ELECTRICAL OPTIONS INSTALLATION (TURNTABLE MOUNTED)



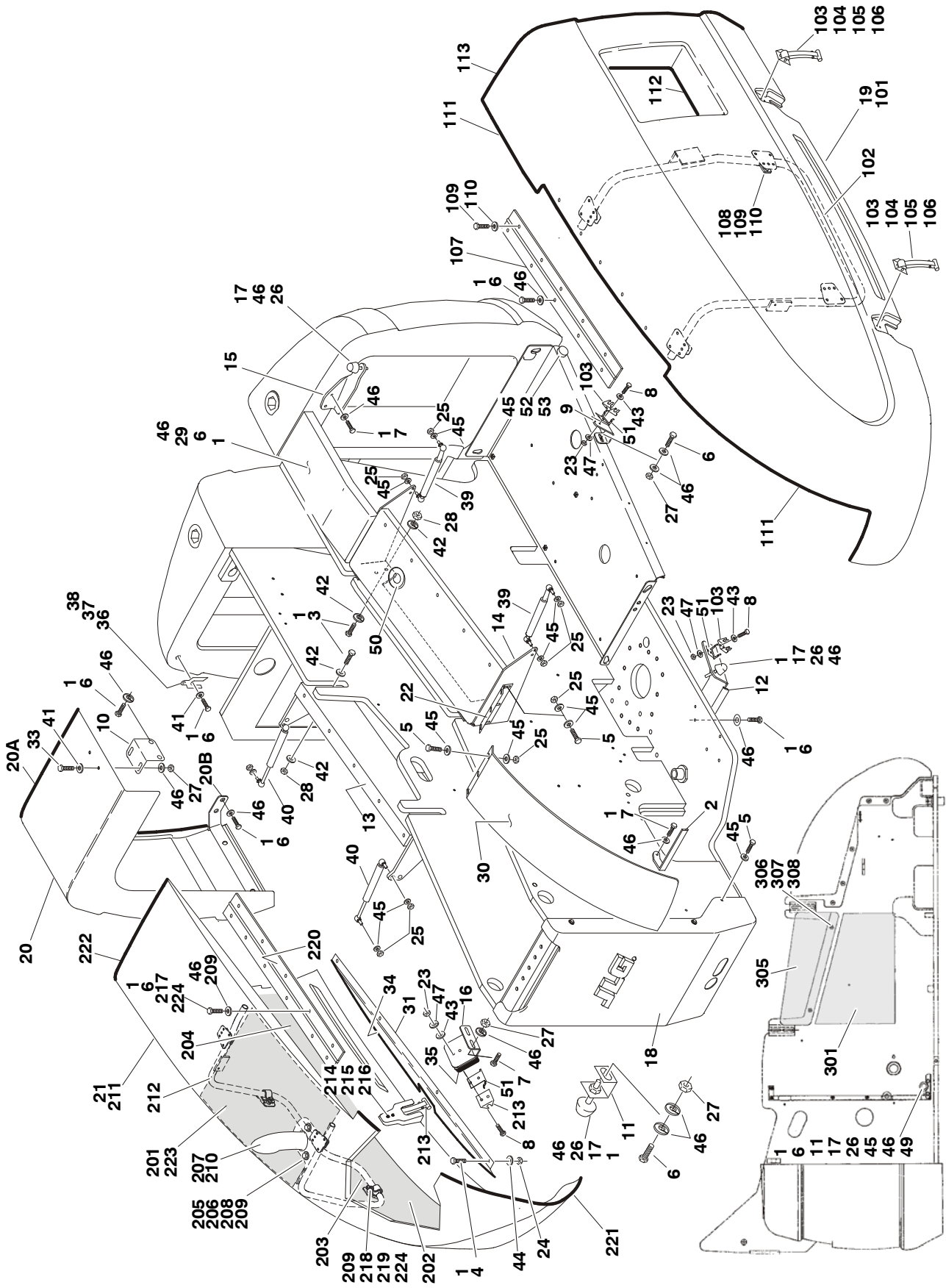
SECTION 2 TURNTABLE

FIGURE 2-15. ELECTRICAL OPTIONS INSTALLATION (TURNTABLE MOUNTED)

| ITEM # | PART NUMBER | QTY. | DESCRIPTION | REV. |
|----------|-------------|----------|---|------|
| | | Ref. | ELECTRICAL OPTIONS INSTALLATIONS (TURNTABLE MOUNTED) | |
| | 0258674 | Ref. | ALARMS INSTALLATIONS | C |
| 1 | 0257887 | 1 | Alarm/Harness Assembly | |
| | 0140032 | 1 | Alarm | |
| | 2820035 | 6in/15cm | Loom | |
| | 4460424 | 1 | Plug | |
| | 4460268 | 2 | Socket | |
| 2 | 0641508 | 2 | Bolt 5/16"-18NC x 1" | |
| 3 | 4711500 | 2 | Flatwasher 5/16" Narrow | |
| 4 | 0100011 | A/R | Compound, Locking | |
| 5 | 0100048 | A/R | Sealant, Silicone | |
| 6 to 9 | Not Used | | | |
| | 0271422 | Ref. | STROBE LIGHT INSTALLATIONS (AMBER) (OPTIONAL) | C |
| 10 | Not Used | | | |
| 11 | 0080241 | 1 | Adapter | |
| 12 to 13 | Not Used | | | |
| 14 | 0100011 | A/R | Compound, Locking | |
| 15 | 4240032 | 1 | Wire-Tile | |
| 16 | 0272507 | 1 | Strobe Light/Guard/Harness Assemblies (includes Items 11 & 16A) | |
| | 70001941 | 1 | Bulb, Replacement | |
| 16A | 2920215 | 1 | Guard | |
| 17 | 4460234 | 1 | Clamp | |
| 18 | 0100048 | A/R | Sealant, Silicone | |
| | 0271768 | Ref. | LIGHTS INSTALLATIONS (OPTIONAL) | C |
| 25 | 2920110 | 2 | Headlight | |
| 26 | 0902206 | 2 | Bracket, Mounting | |
| 27 | 0642612 | 1 | Bolt 1"-8NC x 1 1/2" | |
| 28 | 4220162 | 2 | Spacer | |
| 29 | 0100011 | A/R | Compound, Locking | |
| 30 | 2920113 | 2 | Taillight | |
| 31 | 3911040 | 4 | Screw, Machine #10-24NC x 2 1/2" | |
| 32 | 3311005 | 4 | Nut #10-24NC | |
| 33 | 4751000 | 4 | Flatwasher #10 | |
| 34 | 4740362 | 4 | Washer, Fender | |
| 35 | 3960461 | 2 | Gasket | |
| 36 | Not Used | | | |
| 37 | 4240032 | 12 | Tie-Strap (Not Shown) | |
| 38 | 4460234 | 12 | Mount, Tie-Strap (Not Shown) | |
| 39 | 4360522 | 1 | Switch, Toggle Options (Not Shown - Located on Console): | |
| 40 | Not Used | | | |
| 41 | 1705170 | 1 | Decal, Lights (Not Shown) | |

SECTION 2 TURNTABLE

FIGURE 2-16. HOODS INSTALLATION (ABS)



SECTION 2 TURNTABLE

FIGURE 2-16. HOODS INSTALLATION (ABS)

| ITEM # | PART NUMBER | QTY. | DESCRIPTION | REV. |
|--------|-------------|------------|---|------|
| | | Ref. | HOODS INSTALLATION | |
| | 0274759 | Ref. | Caterpillar Engine Machines | F |
| | 1001099137 | Ref. | Deutz Engine Machines | B |
| | 0275546 | Ref. | GM Engine Machines | G |
| 1 | 0100011 | A/R | Compound, Locking | |
| 2 | 0362770 | 1 | Bar, Panel Mounting | |
| 3 | 0630507 | 8 | Bolt, Carriage 1/2"-13NC x 1 1/4" | |
| 4 | 0641406 | 4 | Bolt 1/4"-20NC x 3/4" | |
| 5 | 0641508 | 14 | Bolt 5/16"-18NC x 1" | |
| 6 | 0641608 | 22 | Bolt 3/8"-16NC x 1" | |
| 7 | 0641609 | 5 | Bolt 3/8"-16NC x 1 1/8" | |
| 8 | 0721006 | 6 | Screw #10-24NC x 3/4" | |
| 9 | 0902143 | 1 | Bracket, Latch (Tank Side) | |
| 10 | 0902161 | 1 | Bracket, Hood Spacer Mounting (Engine Side) | |
| 11 | 0902219 | 2 | Bracket, Bumper | |
| 12 | 0902223 | 1 | Bracket, Latch (Tank Side) | |
| 13 | 0902351 | 1 | Bracket, Hood Mounting (Engine Side) | |
| 14 | 0902412 | 1 | Bracket, Hood Mounting (Tank Side) | |
| 15 | 0902426 | 1 | Bracket, Bumper - Counterweight Mounted | |
| 16 | 0902491 | 1 | Bracket, Latch (Engine Side) | |
| 17 | 0940071 | 4 | Bumper | |
| 18 | 1670842 | 1 | Cover, Turntable End | |
| 19 | 1671228 | 1 | Hood Assembly - Tank Side (see Items 101-113 for Breakdown) Note: Replacement decals must be ordered separately - See Section 8. | |
| 20 | 1671233 | 1 | Spacer Assembly | |
| 20A | 3960453 | 68in/1.73m | Seal | |
| 20B | 0903308 | 1 | Bracket | |
| 21 | | 1 | Hood Assembly - Engine Side Options (see Items 201-224 for Breakdown): Note: Replacement decals must be ordered separately - See Section 8. | |
| | 1671249 | | Caterpillar Engine Machines | |
| | 1001099138 | | Deutz Engine Machines | |
| | 1001117045 | | GM Engine Machines | |
| 22 | 2600244 | 1 | Adapter, Panel Hinge | |
| 23 | 3311001 | 6 | Nut #10-24NC | |
| 24 | 3311405 | 4 | Locknut 1/4"-20NC | |
| 25 | 3311505 | 9 | Locknut 5/16"-18NC | |
| 26 | 3311601 | A/R | Nut 3/8"-16NC | |
| 27 | 3311605 | 7 | Locknut 3/8"-16NC | |
| 28 | 3311805 | 8 | Locknut 1/2"-13NC | |
| 29 | 3380442 | 1 | Cover, Top (Tank Side) | |
| 30 | 3380444 | 1 | Panel, Adapter | |
| 31 | 3571712 | 1 | Plate, Seal | |
| 32 | Not Used | | | |
| 33 | 3900232 | 2 | Screw, Button Head 3/8"-16NC x 1 1/4" | |
| 34 | 3960389 | 3.5ft/1m | Seal | |

SECTION 2 TURNTABLE

FIGURE 2-16. HOODS INSTALLATION (ABS) (CONTINUED)

| ITEM # | PART NUMBER | QTY. | DESCRIPTION | REV. |
|--------|-------------|------------|--|------|
| 35 | 3960470 | 1 | Seal, Latch | |
| 36 | 4070410 | A/R | Shim 1/16" | |
| 37 | 4070411 | A/R | Shim 1/8" | |
| 38 | 4070412 | A/R | Shim 3/16" | |
| 39 | 4160139 | 2 | Spring, Gas (Tank Side) | |
| 40 | 4160143 | 1 | Spring, Gas (Engine Side) | |
| 41 | 4740076 | 5 | Washer, Fender | |
| 42 | 4740171 | 8 | Washer, Hardened | |
| 43 | 4751000 | 6 | Flatwasher #10 | |
| 44 | 4751400 | 4 | Flatwasher 1/4" | |
| 45 | 4751500 | A/R | Flatwasher 5/16" | |
| 46 | 4751600 | A/R | Flatwasher 3/8" | |
| 47 | 4761000 | 6 | Lockwasher #10 | |
| 48 | Not Used | | | |
| 49 | 3321501 | 2 | Nut 5/16"-24NF | |
| 50 | 1120601 | 1 | Cap, Plug | |
| 51 | 2940188 | 3 | Latch, Spring Clip | |
| 52 | 0940049 | 1 | Stopper, Hood | |
| 53 | 3311501 | 2 | Nut 5/16"-18NC | |
| | 1671228 | Ref. | HOOD ASSEMBLY (TANK SIDE) | A |
| 101 | 1671231 | 1 | Hood | |
| 102 | 1671232 | 1 | Frame, Tubular | |
| 103 | 2940088 | 2 | Latch | |
| 104 | 0721008 | 4 | Screw, Machine #10-24NC x 1" | |
| 105 | 4751000 | 4 | Flatwasher #10 | |
| 106 | 3311005 | 4 | Locknut #10-24NC | |
| 107 | 2600233 | 1 | Hinge | |
| 108 | 1321384 | 4 | Hold Down | |
| 109 | 0641606 | 9 | Bolt 3/8"-16NC x 3/4" | |
| 110 | 4711600 | 9 | Flatwasher 3/8" Narrow | |
| 111 | 3960464 | 83in/2.11m | Seal | |
| 112 | 3960438 | 55in/1.4m | Seal | |
| 113 | 3960462 | 53in/1.35m | Seal | |
| | | Ref. | HOOD ASSEMBLIES (ENGINE SIDE) | |
| | 1671249 | Ref. | Caterpillar Engine Machines | D |
| | 1001099138 | Ref. | Deutz Engine Machines | B |
| | 1001117045 | Ref. | GM Engine Machines | A |
| 201 | | 1 | Insulation/Foam Options: | |
| | 1001101391 | | Caterpillar Engine | |
| | 1001101673 | | Deutz Engine | |
| | 1001117139 | | GM Engine | |
| 202 | 2820233 | 1 | Insulation, Rear Sound (Caterpillar/Deutz Engine Only) | |
| 203 | 2820234 | 1 | Insulation, Center Sound (Caterpillar/Deutz Engine Only) | |
| 204 | 2820235 | 1 | Insulation, Rear Sound (Caterpillar/Deutz Engine Only) | |
| 205 | 3311605 | A/R | Locknut 3/8"x16NC | |

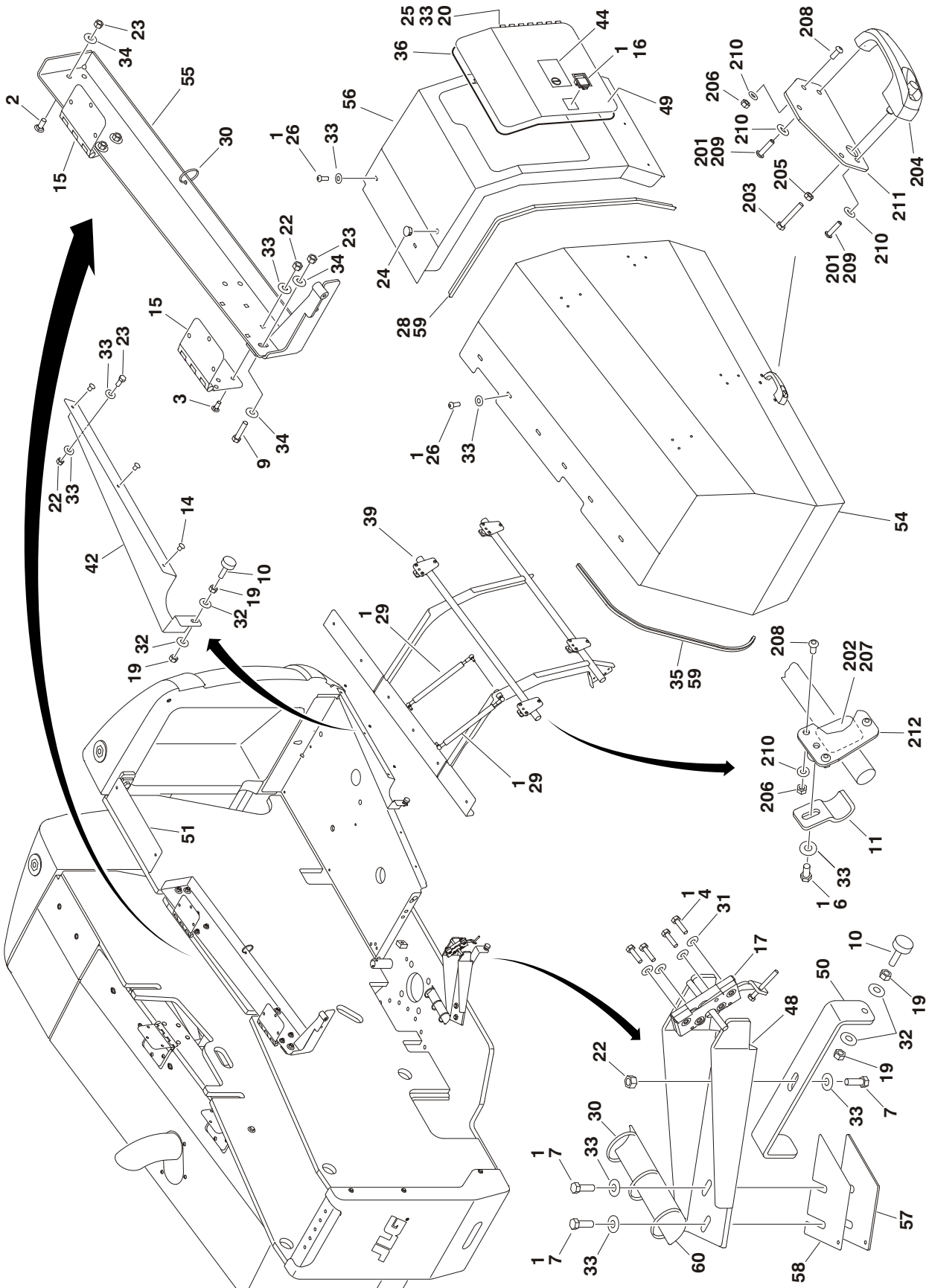
SECTION 2 TURNTABLE

FIGURE 2-16. HOODS INSTALLATION (ABS) (CONTINUED)

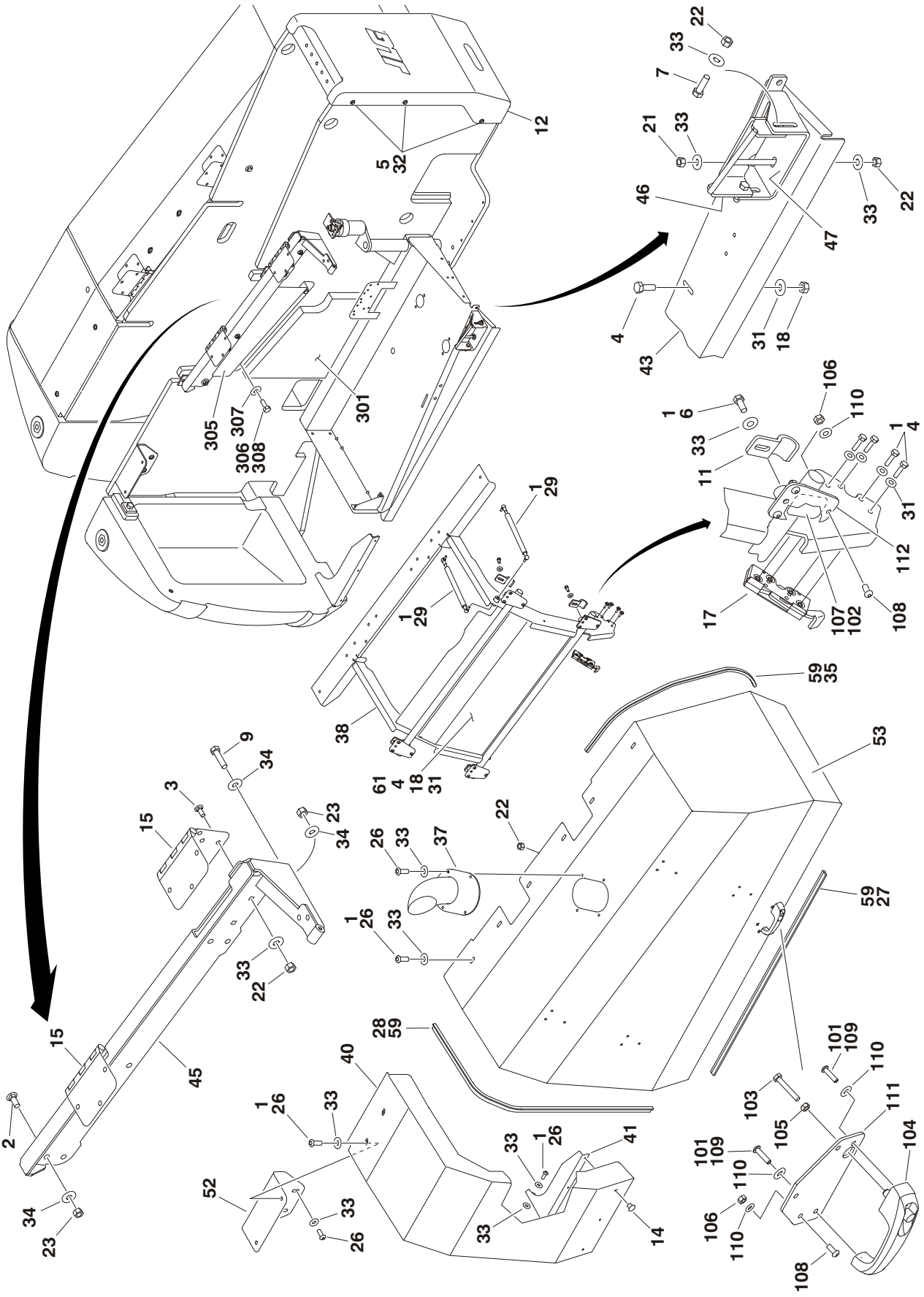
| ITEM # | PART NUMBER | QTY. | DESCRIPTION | REV. |
|------------|--------------|------------|--|------|
| 206 | 3900232 | A/R | Screw, Button Head 3/8"-16NC x 1 1/4" | |
| 207 | | 1 | Shield, Heat Gasket Options: | |
| | 1001101392 | | Caterpillar Engine Machines | |
| | 1001101623 | | Deutz Engine Machines | |
| | Not Required | | GM Engine Machines | |
| 208 | 4740500 | A/R | Washer (Special) | |
| 209 | 4751600 | A/R | Flatwasher 3/8" | |
| 210 | | 1 | Exhaust Tube Weldment Options: | |
| | 4845411 | | Caterpillar Engine Machines | |
| | 1001099121 | | Deutz Engine Machines | |
| | 1001117040 | | GM Engine | |
| 211 | | 1 | Hood Kit Options: | |
| | | | Note: Replacement decals must be ordered separately - See Section 8. | |
| | 1001097965 | | Caterpillar Engine Machines (Includes Items 201, 202, 203, 204, 207 & 208) | |
| | 1001099139 | | Deutz Engine Machines (Must also purchase Items 201, 202, 203, 204, 207 & 208) | |
| | 1001097964 | | GM Engine Machines (Includes Items 201, 208 & 223) | |
| 212 | 1671230 | 1 | Frame, Tubular | |
| 213 | 2940088 | 1 | Latch | |
| 214 | 0721008 | 2 | Screw, Machine #10-24NC x 1" | |
| 215 | 4751000 | 2 | Flatwasher #10 | |
| 216 | 3311005 | 2 | Locknut #10-24NC | |
| 217 | 0641608 | A/R | Bolt 3/8"-16NC x 1" | |
| | 0641606 | A/R | Bolt 3/8"-16NC x 3/4" | |
| 218 | 1321384 | 4 | Hold Down | |
| 219 | 0641606 | 4 | Bolt 3/8"-16NC x 3/4" | |
| 220 | 2600209 | 1 | Hinge | |
| 221 | 3960464 | 65in/1.67m | Seal | |
| 222 | 3960462 | 61in/1.55m | Seal | |
| 223 | 1001117140 | A/R | Tape (GM Engine Only): | |
| 224 | 0100011 | A/R | Compound, Locking | |
| | 0256823 | Ref. | NOISE REDUCTION INSTALLATION (DEUTZ/CATERPILLAR ENGINE MACHINES) | 3/C |
| 301 | 2820078 | 1 | Foam, Acoustical (Turntable Side) | |
| 302 to 304 | Not Used | | | |
| 305 | 3539955 | 1 | Plate, Baffle | |
| 306 | 0641506 | 2 | Bolt 5/16"-18NC x 3/4" | |
| 307 | 4751500 | 2 | Flatwasher 5/16" | |
| 308 | 0100011 | A/R | Compound, Locking | |

SECTION 2 TURNTABLE

FIGURE 2-17. HOODS INSTALLATION (STEEL)



SECTION 2 TURNTABLE



SECTION 2 TURNTABLE

FIGURE 2-17. HOODS INSTALLATION (STEEL)

| ITEM # | PART NUMBER | QTY. | DESCRIPTION | REV. |
|--------|-------------|------------|---|------|
| | | Ref. | HOODS INSTALLATION | |
| | 1001117504 | Ref. | Caterpillar Engine Machines | B |
| | 1001117209 | Ref. | Deutz Engine Machines | B |
| | 1001117503 | Ref. | GM Engine Machines | B |
| 1 | 0100011 | A/R | Compound, Locking | |
| 2 | 0630507 | 8 | Bolt, Carriage 1/2"-13NC x 1 1/4" | |
| 3 | 0630485 | 16 | Bolt, Carriage 3/8"-16NC x 1" | |
| 4 | 0641408 | A/R | Bolt 1/4"-20NC x 1" | |
| 5 | 0641508 | 8 | Bolt 5/16"-18NC x 1" | |
| 6 | 0641607 | 10 | Bolt 3/8"-16NC x 7/8" | |
| 7 | 0641609 | 7 | Bolt 3/8"-16NC x 1 1/8" | |
| 8 | Not Used | | | |
| 9 | 0641818 | 2 | Bolt 1/2"-13NC x 2 1/4" | |
| 10 | 0940049 | 2 | Stopper, Hood | |
| 11 | 1321384 | 8 | Hold Down | |
| 12 | 1670842 | 1 | Cover, Turntable End | |
| 13 | Not Used | | | |
| 14 | 2080040 | 6 | Fastener | |
| 15 | 2600280 | 4 | Hinge | |
| 16 | 2940045 | 1 | Latch, Paddle | |
| 17 | 2940173 | 2 | Latch, Rotary | |
| 18 | 3311405 | A/R | Locknut 1/4"-20NC | |
| 19 | 3311501 | 4 | Nut 5/16"-18NC | |
| 20 | 3300364 | 3 | Nut 5/16"-18NC (Tinnerman) | |
| 21 | 3311601 | 1 | Nut 3/8"-16NC | |
| 22 | 3311605 | 40 | Locknut 3/8"-16NC | |
| 23 | 3311805 | 10 | Locknut 1/2"-13NC | |
| 24 | 3520030 | 1 | Plug, Hole | |
| 25 | 3900210 | 3 | Screw 5/16"-18NC x 3/4" | |
| 26 | 3900316 | 38 | Screw 3/8"-16NC x 1" | |
| 27 | 3960389 | 4.5ft/1.4m | Seal | |
| 28 | 3960462 | 9ft/2.7m | Seal | |
| 29 | 4160194 | 4 | Spring, Compression | |
| 30 | 4240018 | 4 | Strap, Cable Tie | |
| 31 | 4751400 | A/R | Flatwasher 1/4" | |
| 32 | 4751500 | 15 | Flatwasher 5/16" | |
| 33 | 4751600 | 79 | Flatwasher 3/8" | |
| 34 | 4751800 | 12 | Flatwasher 1/2" | |
| 35 | 1001110166 | 7ft/2.1m | Seal | |
| 36 | 1001113047 | 6.5ft/2m | Seal (Adhesive Back) | |
| 37 | | 1 | Pipe, Exhaust Options: Caterpillar & GM Engines Deutz Engines | |
| 38 | 1001116457 | | | |
| | 1001116456 | | | |
| 39 | 1001116562 | 1 | Support, Substructure | |
| 40 | 1001116618 | 1 | Support, Substructure | |
| 41 | 1001117219 | 1 | Hood, Engine Side (Fixed) | |
| 42 | 1001117234 | 1 | Bracket, Hood Support | |
| | 1001117236 | 1 | Bracket, Hood Support | |

SECTION 2 TURNTABLE

FIGURE 2-17. HOODS INSTALLATION (STEEL) (CONTINUED)

| ITEM # | PART NUMBER | QTY. | DESCRIPTION | REV. |
|--------|-------------|------|--|------|
| 43 | 1001117249 | 1 | Plate, Seal (800A Only) | |
| 44 | 1001117307 | 1 | Decal - Emergency Stop | |
| 45 | 1001117441 | 1 | Bracket, Hood Support (800A Only) | |
| 46 | 1001117523 | 1 | Bracket, Striker | |
| 47 | 1001117525 | 1 | Bracket, Striker Mounting | |
| 48 | 1001117568 | 1 | Bracket, Striker (800A Only) | |
| 49 | 1001117598 | 1 | Door (800A Only) | |
| 50 | 1001118236 | 1 | Bracket, Stop Mounting | |
| 51 | 1001118263 | 1 | Bracket, Hood Mounting | |
| 52 | 1001118264 | 1 | Bracket, Hood Mounting | |
| 53 | | 1 | Hood, Engine Side Assembly (See Breakdown 101 - 112) | |
| | 1001118344 | | Caterpillar & Deutz | |
| | 1001118716 | | GM | |
| | | | Note: Replacement Decals must be Purchased Separately - See Section 8. | |
| 54 | 1001118345 | 1 | Hood, Tank Side Assembly (See Breakdown 201 - 212) | |
| | | | Note: Replacement Decals must be Purchased Separately - See Section 8. | |
| 55 | 1001119935 | 1 | Bracket, Hinge Support | |
| 56 | 1001120962 | 1 | Hood, Tank Side (Fixed) | |
| 57 | 1001121122 | 1 | Shim 3mm (800A Only) | |
| 58 | 1001121123 | 1 | Shim 1.5mm (800A Only) | |
| 59 | 0100081 | A/R | Adhesive (USA Built Machines S/N 0300144797 to Present & China Built Machines S/N B300000215 to Present) | |
| 60 | 4061032 | 1 | Shield, Hose (USA Built Machines S/N 0300144797 to Present & China Built Machines S/N B300000215 to Present) | |
| 61 | 1001120508 | 1 | Shield, Heat (Deutz Engine Only) | |
| | | Ref. | HOOD ASSEMBLIES (ENGINE SIDE) | |
| 101 | 0100011 | A/R | Compound, Locking | |
| 102 | 0100081 | A/R | Adhesive | |
| 103 | 0700616 | 1 | Bolt M6 x 40mm | |
| 104 | 2560187 | 1 | Handle, Push Button | |
| 105 | 3290601 | 1 | Nut M6 | |
| 106 | 3311505 | 15 | Locknut 5/16"-18NC | |
| 107 | 3340877 | 4 | Pad | |
| 108 | 3900210 | 15 | Screw, Button Head 5/16"-18NC x 3/4" | |
| 109 | 3900363 | 2 | Screw, Button Head M6 x 25mm | |
| 110 | 4711500 | 17 | Flatwasher 5/16" Thin | |
| 111 | 1001116290 | 1 | Plate, Latch Mounting | |
| 112 | 1001116292 | 4 | Mount, Clamp | |
| | | Ref. | HOOD ASSEMBLIES (TANK SIDE) | |
| 201 | 0100011 | A/R | Compound, Locking | |
| 202 | 0100081 | A/R | Adhesive | |
| 203 | 0700616 | 1 | Bolt M6 x 40mm | |
| 204 | 2560187 | 1 | Handle, Push Button | |
| 205 | 3290601 | 1 | Nut M6 | |

SECTION 2 TURNTABLE

FIGURE 2-17. HOODS INSTALLATION (STEEL) (CONTINUED)

| ITEM # | PART NUMBER | QTY. | DESCRIPTION | REV. |
|------------|-------------|------|---|------|
| 206 | 3311505 | 15 | Locknut 5/16"-18NC | |
| 207 | 3340877 | 4 | Pad | |
| 208 | 3900210 | 15 | Screw, Button Head 5/16"-18NC x 3/4" | |
| 209 | 3900363 | 2 | Screw, Button Head M6 x 25mm | |
| 210 | 4711500 | 17 | Flatwasher 5/16" Thin | |
| 211 | 1001116290 | 1 | Plate, Latch Mounting | |
| 212 | 1001116292 | 4 | Mount, Clamp | |
| | 0256823 | Ref. | NOISE REDUCTION INSTALLATION (DEUTZ/CATERPILLAR ENGINE MACHINES) | 3/C |
| 301 | 2820078 | 1 | Foam, Acoustical (Turntable Side) | |
| 302 to 304 | Not Used | | | |
| 305 | 3539955 | 1 | Plate, Baffle | |
| 306 | 0641506 | 2 | Bolt 5/16"-18NC x 3/4" | |
| 307 | 4751500 | 2 | Flatwasher 5/16" | |
| 308 | 0100011 | A/R | Compound, Locking | |
| | | Ref. | HEAT SHIELD INSTALLATION (GM ENGINE MACHINES) | |
| | 1001114636 | Ref. | Without Arctic Package | C |
| | 1001114638 | Ref. | With Arctic Package | C |
| 401 | 3311405 | 3 | Locknut 1/4"-20NC | |
| 402 | 4751400 | 3 | Flatwasher 1/4" | |
| 403 | 0641408 | 3 | Bolt 1/4"-20NC x 1" | |
| 404 | 1001120508 | 1 | Shield, Heat | |

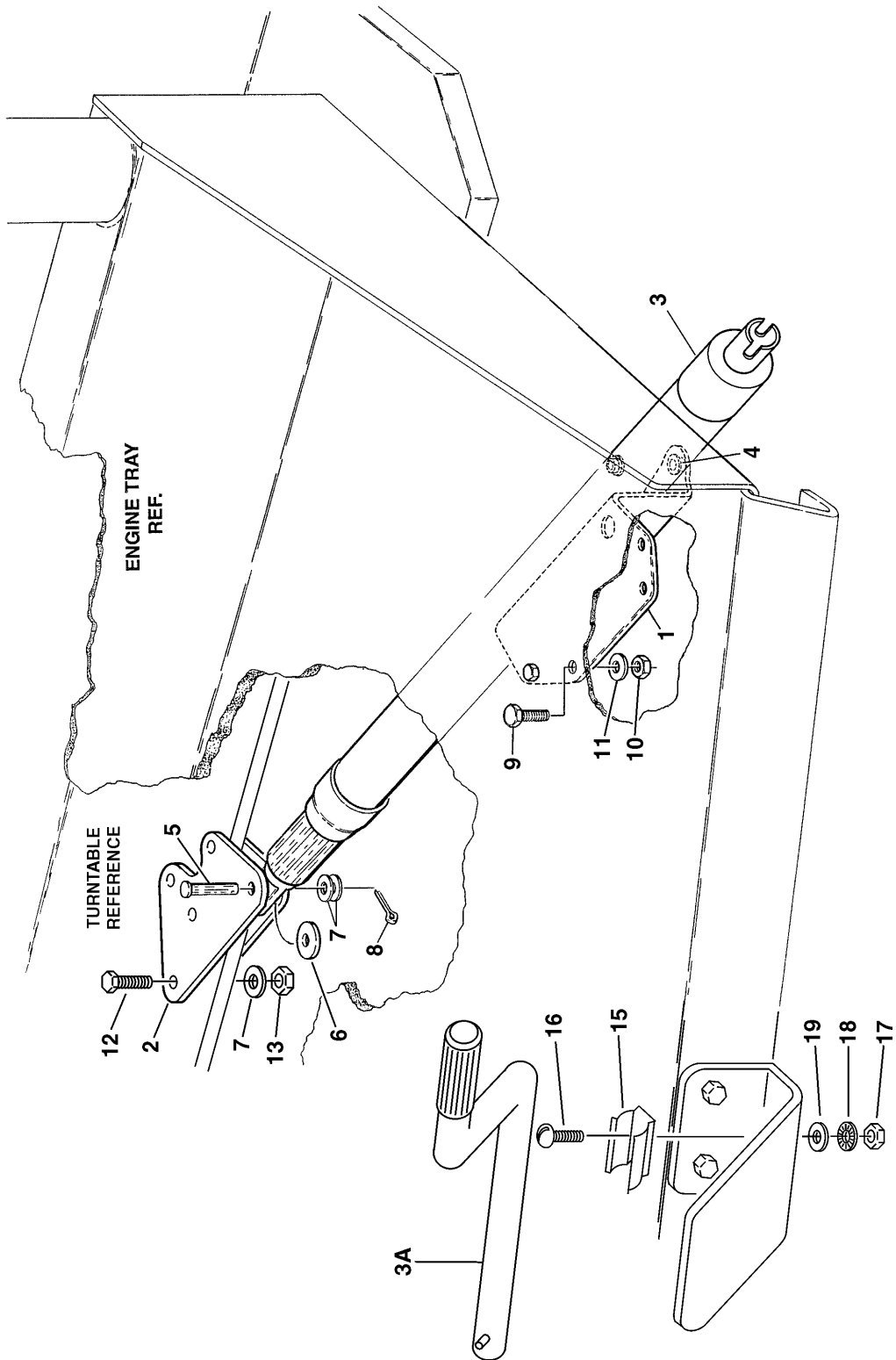
SECTION 2 TURNTABLE

FIGURE 2-17. HOODS INSTALLATION (STEEL) (CONTINUED)

| ITEM # | PART NUMBER | QTY. | DESCRIPTION | REV. |
|--------|-------------|------|-------------|------|
| | | | | |

SECTION 2 TURNTABLE

FIGURE 2-18. ENGINE TRAY JACK INSTALLATION (OPTIONAL)



SECTION 2 TURNTABLE

FIGURE 2-18. ENGINE TRAY JACK INSTALLATION (OPTIONAL)

| ITEM # | PART NUMBER | QTY. | DESCRIPTION | REV. |
|--------|-------------|------|--------------------------------------|------|
| | 0258728 | Ref. | ENGINE TRAY JACK INSTALLATION | 2/C |
| 1 | 3537445 | 1 | Bracket | |
| 2 | 3537446 | 2 | Bracket | |
| 3 | 2840016 | 1 | Jack and Handle Assembly | F |
| 3A | 7024598 | 1 | Handle | |
| 4 | 0962051 | 2 | Bearing, Flange | |
| 5 | 3430816 | 1 | Pin, Clevis | |
| 6 | 4891800 | 1 | Washer, Hardened | |
| 7 | 4711800 | 6 | Flatwasher 1/2" Narrow | |
| 8 | 3450404 | 1 | Pin, Cotter 1/8" x 1" | |
| 9 | 0641609 | 4 | Bolt 3/8"-16NC x 1 1/8" | |
| 10 | 3311605 | 4 | Locknut 3/8"-16NC | |
| 11 | 4891600 | 4 | Washer, Hardened | |
| 12 | 0641818 | 4 | Bolt 1/2"-13NC x 2 1/4" | |
| 13 | 3311805 | 4 | Locknut 1/2"-13NC | |
| 14 | Not Used | | | |
| 15 | 1380147 | 1 | Clip, Spring | |
| 16 | 3910608 | 2 | Screw, Round Head #6-32NC x 1" | |
| 17 | 3310601 | 2 | Nut #6-32NC | |
| 18 | 4770600 | 2 | Starwasher #6 | |
| 19 | 4740119 | 2 | Washer, Aluminum | |

SECTION 2 TURNTABLE

FIGURE 2-19. 2500W GENERATOR INSTALLATION - CATERPILLAR MACHINES (OPTIONAL)

| ITEM # | PART NUMBER | QTY. | DESCRIPTION | REV. |
|--------|-------------|------|--|------|
| | | Ref. | GENERATOR INSTALLATION OPTIONS: | |
| | 1001115404 | Ref. | ANSI Specs - 110V/60Hz | A |
| | 1001115413 | Ref. | ANSI Export & CE Specs - 110V/50Hz | A |
| | 1001115414 | Ref. | ANSI Export, Australian & CE Specs - 220V/50Hz | A |
| 1 | 3580322 | 1 | Pulley | |
| 2 | | 1 | Generator and Control Box Assembly Options: | |
| | 2460055 | | 110V/60Hz | |
| | 2460049 | | 110V/50Hz Generator Only | |
| | 1001100321 | | 220V/50Hz Generator Only | |
| 2A | | 1 | Generator Options: | |
| | 7012558 | | 110V/60Hz | |
| | 2460049 | | 110V/50Hz | |
| | 1001100321 | | 220V/50Hz | |
| | | Ref. | Note: Replacement Generators come standard with p/n 3580134 pulley. This pulley may not be correct for all applications. Refer to pulley options below. | |
| | 7026199 | 1 | 110V/60Hz Armature with Slip Rings | |
| | 70000122 | 1 | 110V/50Hz Armature with Slip Rings | |
| | 70000123 | 1 | 220V/50Hz Armature with Slip Rings | |
| | 7012513 | 4 | Cap, Brush Holder | |
| | 7020108 | 4 | Brush | |
| | 7020109 | 4 | Holder, Brush | |
| | 7012514 | 1 | Fan | |
| | 7020190 | 2 | Bearing | |
| | 7020110 | 1 | End Bell, Front | |
| | 7020111 | 1 | End Bell, Rear | |
| 2B | 7019680 | 1 | Box, Control (110V/60Hz Generator Only) | |
| | 4360542 | 1 | Breaker, Circuit | |
| | 4460190 | A/R | Receptacle, Double (110V Box) | |
| | 4460027 | A/R | Receptacle, Double Twist Lock (110V Box) | |
| 2C | 2420203 | 1 | Voltmeter | |
| 2D | | 1 | Pulley Options: | |
| | 3580276 | | 110V/60Hz | |
| | 3580134 | | 110V/50Hz | |
| | 3580134 | | 220V/50Hz | |
| | 7027887 | 1 | Key, Woodruff | |
| 3 | 0700816 | 4 | Bolt M8 x 40mm | |
| 4 | 4811900 | 4 | Flatwasher M8 | |
| 5 | 0200819 | 1 | Arm, Adjusting | |
| 6 | | 1 | V-Belt Options: | |
| | 0480121 | | 110V/60Hz | |
| | 0480120 | | 110V/50Hz | |
| | 0480120 | | 220V/50Hz | |
| 7 | 0641610 | 1 | Bolt 3/8"-16NC x 1 1/4" | |
| 8 | 0100011 | A/R | Compound, Locking | |
| 9 | 0641772 | 1 | Bolt 7/16"-14NC x 9" | |
| 10 | 4751600 | 6 | Flatwasher 3/8" | |
| 11 | 3574684 | 1 | Plate, Box Mounting | |

SECTION 2 TURNTABLE

FIGURE 2-19. 2500W GENERATOR INSTALLATION - CATERPILLAR MACHINES (OPTIONAL)

| ITEM # | PART NUMBER | QTY. | DESCRIPTION | REV. |
|--------|--------------|----------|---|------|
| 12 | 0701210 | 2 | Bolt M12 x 20mm | |
| 13 | 0962563 | 1 | Bushing, Spacer | |
| 14 | 3311605 | 1 | Locknut 3/8"-16NC | |
| 15 | 3311705 | 1 | Locknut 7/16"-14NC | |
| 16 | 3740080 | 1 | Relay | |
| 17 | Not Used | | | |
| 18 | 0641508 | 1 | Bolt 5/16"-18NC x 1" | |
| 19 | 4751500 | 1 | Flatwasher 5/16" | |
| 20 | Not Used | | | |
| 21 | 3520028 | 1 | Plug, Hole | |
| 22 | 0721006 | A/R | Bolt #10-24NC x 3/4" | |
| 23 | 3311005 | A/R | Locknut #10-24NC | |
| 24 | 4751000 | A/R | Flatwasher #10 | |
| 25 | 4360336 | 1 | Switch, Toggle (Not Shown - Located at Platform) | |
| 26 | Not Used | | | |
| 27 | 4060802 | 1 | Guard, Switch (Not Shown - Located at Platform) | |
| 28 | | 1 | Decal - Voltage Options (Not Shown - Located at Platform): | |
| | Not Required | | 110V/60Hz | |
| | 1705325 | | 110V/50Hz | |
| | 3252507 | | 220V/50Hz | |
| 29 | 2820031 | 4in/10cm | Heatshrink (Not Shown - Located at Platform) | |
| 30 | 3251102 | 1 | Decal (Not Shown - Located at Platform) | |
| | | | Note: Items 31 thru 40 Used with 1001115413 & 1001115414 Installations Only. | |
| 31 | 0962449 | 1 | Bushing, Silicone | |
| 32 | 3290505 | 1 | Locknut M5 | |
| 33 | 4031608 | 2 | Capscrew M5 x 20mm | |
| 34 | 4460968 | 3 | Bushing, Strain Relief | |
| 35 | 4811600 | 2 | Flatwasher M5 | |
| 36 | 4812100 | 2 | Flatwasher M12 | |
| 37 | 1001099869 | 1 | Box, Junction | |
| 38 | | 1 | Light, Red Options: | |
| | 1001100233 | | 110V/50Hz | |
| | 1001100234 | | 220V/50Hz | |
| 39 | 1001102644 | 1 | Bracket, AC Junction Box | |
| 40 | | 1 | Decal - Voltage Options: | |
| | 1705325 | | 110V/50Hz | |
| | 3252507 | | 220V/50Hz | |
| | 1001094475 | Ref. | HOURMETER INSTALLATION (OPTIONAL) | B |
| 101 | Not Used | | | |
| 102 | 0720808 | 1 | Screw #8-32 x 1" | |
| 103 | 2420165 | 1 | Hourmeter | |
| 104 | 3310601 | 2 | Nut #6-32 | |
| 105 | 3310805 | 1 | Locknut #8-32 | |
| 106 | 3910608 | 2 | Screw #6-32 x 1/2" | |
| 107 | 4240032 | 4 | Strap, Tie | |
| 108 | 4420060 | 3in/7cm | Tape, Double-Sided | |
| 109 | 4460234 | 3 | Mount, Tie Strap | |

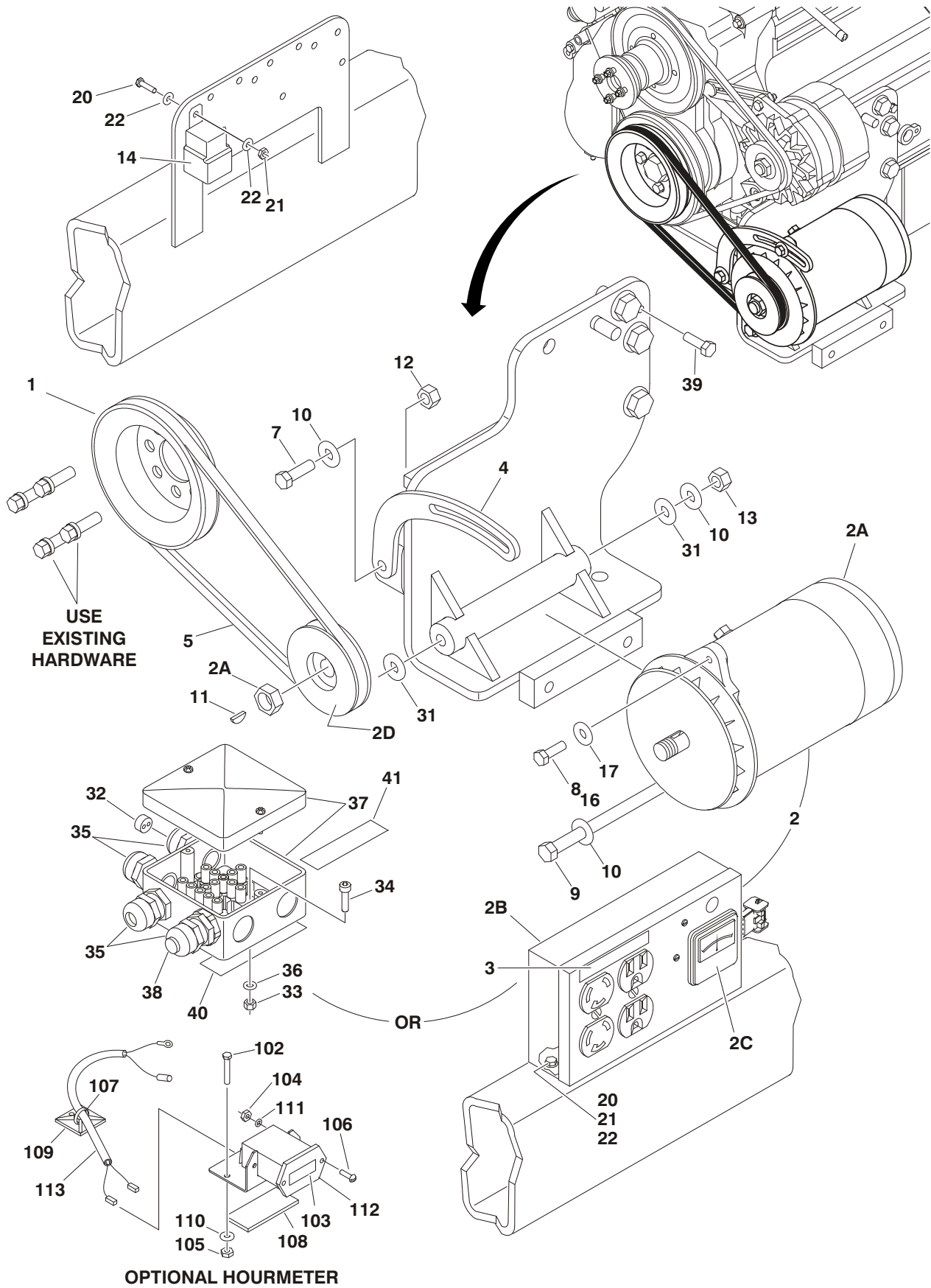
SECTION 2 TURNTABLE

FIGURE 2-19. 2500W GENERATOR INSTALLATION - CATERPILLAR MACHINES (OPTIONAL)

| ITEM # | PART NUMBER | QTY. | DESCRIPTION | REV. |
|--------|-------------|------|------------------------------------|------|
| 110 | 4750800 | 1 | Washer #8 | |
| 111 | 4760600 | 2 | Lockwasher #6 | |
| 112 | 1001094375 | 1 | Bracket, Hourmeter | |
| 113 | 1001094509 | 1 | Harness, Hourmeter | |
| 114 | 4460018 | 1 | Connector, Butt Splice (Not Shown) | |

SECTION 2 TURNTABLE

FIGURE 2-20. 2500W GENERATOR INSTALLATION - DEUTZ MACHINES (OPTIONAL)



SECTION 2 TURNTABLE

FIGURE 2-20. 2500W GENERATOR INSTALLATION - DEUTZ MACHINES (OPTIONAL)

| ITEM # | PART NUMBER | QTY. | DESCRIPTION | REV. |
|--------|-------------|------|--|------|
| | | Ref. | GENERATOR INSTALLATION OPTIONS: | |
| | 1001115405 | Ref. | ANSI Specs - 110V/60Hz | A |
| | 1001115410 | Ref. | ANSI Export Specs - 110V/50Hz | A |
| | 1001115409 | Ref. | ANSI Export Specs - 220V/50Hz | A |
| 1 | 3580158 | 1 | Pulley | |
| 2 | | 1 | Generator and Control Box Assembly Options: | |
| | 2460055 | | 110V/60Hz | |
| | 2460049 | | 110V/50Hz Generator Only | |
| | 1001100321 | | 220V/50Hz Generator Only | |
| 2A | | 1 | Generator Options: | |
| | 7012558 | | 110V/60Hz | |
| | 2460049 | | 110V/50Hz | |
| | 1001100321 | | 220V/50Hz | |
| | | Ref. | Note: Replacement Generators come standard with p/n 3580134 pulley. This pulley may not be correct for all applications. Refer to pulley options below. | |
| | 7026199 | 1 | 110V/60Hz Armature with Slip Rings | |
| | 70000122 | 1 | 110V/50Hz Armature with Slip Rings | |
| | 70000123 | 1 | 220V/50Hz Armature with Slip Rings | |
| | 7012513 | 4 | Cap, Brush Holder | |
| | 7020108 | 4 | Brush | |
| | 7020109 | 4 | Holder, Brush | |
| | 7012514 | 1 | Fan | |
| | 7020190 | 2 | Bearing | |
| | 7020110 | 1 | End Bell, Front | |
| | 7020111 | 1 | End Bell, Rear | |
| 2B | 7019680 | 1 | Box, Control - 110V/60Hz Generator Only | |
| | 4360542 | 1 | Breaker, Circuit | |
| | 4460190 | A/R | Receptacle, Double (110V Box) | |
| | 4460027 | A/R | Receptacle, Double Twist Lock (110V Box) | |
| 2C | 2420203 | 1 | Voltmeter | |
| 2D | | 1 | Pulley Options: | |
| | 3580276 | | 110V/60Hz | |
| | 3580134 | | 110V/50Hz | |
| | 3580134 | | 220V/50Hz | |
| 3 | 3251243 | 1 | Decal - 120V - 60Hz (110V/60Hz Generator Only) | |
| 4 | 0200742 | 1 | Arm, Adjusting | |
| 5 | 0480121 | 1 | V-Belt | |
| 6 | Not Used | | | |
| 7 | 0641610 | 1 | Bolt 3/8"-16NC x 1 1/4" | |
| 8 | 0100011 | A/R | Compound, Locking | |
| 9 | 0641772 | 1 | Bolt 7/16"-14NC x 9" | |
| 10 | 4751600 | 6 | Flatwasher 3/8" | |
| 11 | 2860012 | 1 | Key, Woodruff | |
| 12 | 3311605 | 1 | Locknut 3/8"-16NC | |
| 13 | 3311705 | 1 | | |
| 14 | 3740080 | 1 | Relay | |
| 15 | Not Used | | | |

SECTION 2 TURNTABLE

FIGURE 2-20. 2500W GENERATOR INSTALLATION - DEUTZ MACHINES (OPTIONAL)

| ITEM # | PART NUMBER | QTY. | DESCRIPTION | REV. |
|----------|-------------|----------|---|------|
| 16 | 0641508 | 1 | Bolt 5/16"-18NC x 1" | |
| 17 | 4751500 | 1 | Flatwasher 5/16" | |
| 18 to 19 | Not Used | | | |
| 20 | 0721006 | A/R | Bolt #10-24NC x 3/4" | |
| 21 | 3311005 | A/R | Locknut #10-24NC | |
| 22 | 4751000 | A/R | Flatwasher #10 | |
| 23 to 24 | Not Used | | | |
| 25 | 4360336 | 1 | Switch, Toggle (Not Shown - Located at Platform) | |
| 26 | 4740397 | 1 | Bushing (Not Shown - Located at Platform) | |
| 27 | 4060802 | 1 | Guard, Switch (Not Shown - Located at Platform) | |
| 28 | 3252507 | 1 | Decal - 220V-50/60Hz (Not Shown - Located on Inside Platform Rail) (220V/50Hz Generator Only) | |
| | 1705325 | 1 | Decal - 120V-50Hz (Not Shown - Located on Inside Platform Rail) (110V/50Hz Generator Only) | |
| 29 | 2820031 | 4in/10cm | Heatshrink (Not Shown - Located at Platform) | |
| 30 | 3251102 | 1 | Decal (Not Shown - Located at Platform) | |
| 31 | 4070585 | A/R | Shim | |
| | | | Note: Items 32 thru 41 Used with 1001115410 & 1001115409 Installations Only. | |
| 32 | 0962449 | 1 | Bushing, Silicone | |
| 33 | 3290505 | 1 | Locknut M5 | |
| 34 | 4031608 | 1 | Capscrew M5 x 20mm | |
| 35 | 4460968 | 4 | Bushing, Strain Relief | |
| 36 | 4811600 | 1 | Flatwasher M5 | |
| 37 | 1001099869 | 1 | Box, Junction | |
| 38 | | 1 | Light, Red Options: | |
| | 1001100233 | | 110V/50Hz | |
| | 1001100234 | | 220V/50Hz | |
| 39 | 0641404 | 1 | Bolt 1/4"-20NC x 1/2" | |
| 40 | 4420060 | A/R | Tape, Double Sided | |
| 41 | | 1 | Decal Options: | |
| | 3252507 | 1 | Decal - 220V-50/60Hz | |
| | 1705325 | 1 | Decal - 120V-50Hz | |
| | 1001094475 | Ref. | HOURMETER INSTALLATION (OPTIONAL) | B |
| 101 | Not Used | | | |
| 102 | 0720808 | 1 | Screw #8-32 x 1" | |
| 103 | 2420165 | 1 | Hourmeter | |
| 104 | 3310601 | 2 | Nut #6-32 | |
| 105 | 3310805 | 1 | Locknut #8-32 | |
| 106 | 3910608 | 2 | Screw #6-32 x 1/2" | |
| 107 | 4240032 | 4 | Strap, Tie | |
| 108 | 4420060 | 3in/7cm | Tape, Double-Sided | |
| 109 | 4460234 | 3 | Mount, Tie Strap | |
| 110 | 4750800 | 1 | Washer #8 | |
| 111 | 4760600 | 2 | Lockwasher #6 | |
| 112 | 1001094375 | 1 | Bracket, Hourmeter | |
| 113 | 1001094509 | 1 | Harness, Hourmeter | |
| 114 | 4460018 | 1 | Connector, Butt Splice (Not Shown) | |

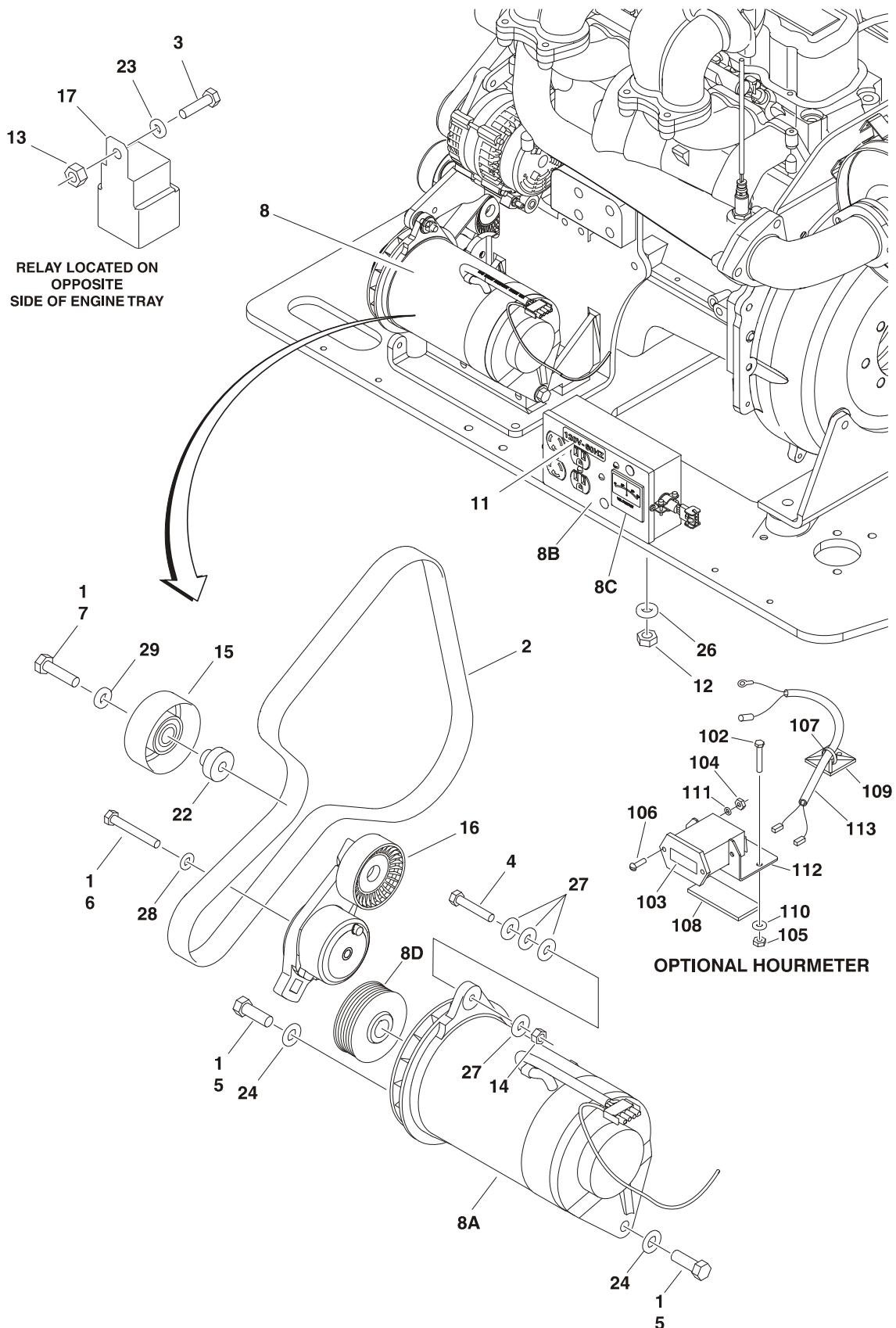
SECTION 2 TURNTABLE

FIGURE 2-20. 2500W GENERATOR INSTALLATION - DEUTZ MACHINES (OPTIONAL)

| ITEM # | PART NUMBER | QTY. | DESCRIPTION | REV. |
|--------|-------------|------|-------------|------|
| | | | | |

SECTION 2 TURNTABLE

FIGURE 2-21. 2500W GENERATOR INSTALLATION - GM MACHINES (OPTIONAL)



SECTION 2 TURNTABLE

FIGURE 2-21. 2500W GENERATOR INSTALLATION - GM MACHINES (OPTIONAL)

| ITEM # | PART NUMBER | QTY. | DESCRIPTION | REV. | |
|--------|---------------|------|--|------|-----------------------|
| | | Ref. | Note: Only Available on USA Built Machines. | | |
| | 0275039 | Ref. | GENERATOR INSTALLATION OPTIONS: | E | |
| | Not Available | Ref. | | | 110V Generator |
| | | Ref. | | | 220V Generator |
| 1 | 0100011 | A/R | Compound, Locking | | |
| 2 | 0480142 | 1 | V-Belt | | |
| 3 | 0641405 | 1 | Bolt 1/4"-20NC x 5/8" | | |
| 4 | 0641510 | 1 | Bolt 5/16"-18NC x 1 1/4" | | |
| 5 | 0641710 | 2 | Bolt 7/16"-14NC x 1 1/4" | | |
| 6 | 0700820 | 1 | Bolt 8mm x 60mm | | |
| 7 | 0701016 | 1 | Bolt 10mm x 340mm | | |
| 8 | 2460051 | 1 | Generator and Control Box Assembly | | |
| 8A | 7012558 | 1 | Generator | | |
| | | Ref. | Note: Replacement Generators come standard with p/n 3580134 pulley. This pulley may not be correct for all applications. Refer to pulley options below. | | |
| | 7026199 | 1 | Armature with Slip Rings | | |
| | 7020109 | 4 | Holder, Brush | | |
| | 7020108 | 4 | Brush | | |
| | 7012513 | 4 | Cap, Brush Holder | | |
| | 7012514 | 1 | Fan | | |
| | 7020190 | 2 | Bearing | | |
| | 7020110 | 1 | End Bell, Front | | |
| | 7020111 | 1 | End Bell, Rear | | |
| 8B | 7019680 | 1 | Box Control | | |
| | 4360542 | 1 | Breaker, Circuit | | |
| | 4460190 | 1 | Receptacle, Double (110V Box) | | |
| | 4460027 | 1 | Receptacle, Double Twist Lock (110V Box) | | |
| 8C | 2420203 | 1 | Voltmeter | | |
| 8D | 3580324 | 1 | Pulley | | |
| | 7027887 | 1 | Key, Woodruff | | |
| 9 | 2820031 | A/R | Heatshrink (Not Shown - Located at Platform) | | |
| 10 | 3251102 | 1 | Nameplate - Generator (Not Shown - Located at Platform) | | |
| 11 | 3251243 | 1 | Decal | | |
| 12 | 3311005 | 2 | Locknut # 10-24NC | | |
| 13 | 3311405 | 1 | Locknut 1/4"-20NC | | |
| 14 | 3311505 | 1 | Locknut 5/16"-18NC | | |
| 15 | 3580312 | 1 | Pulley, Idler | | |
| 16 | 3580348 | 1 | Tensioner, Belt | | |
| 17 | 3740080 | 1 | Relay, Bosch | | |
| 18 | 4060802 | 1 | Guard, Switch (Not Shown - Located at Platform) | | |
| 19 | 4240018 | A/R | Tie-Strap (Not Shown) | | |
| 20 | 4360336 | 1 | Switch, Toggle (Not Shown - Located at Platform) | | |
| 21 | 4460906 | 3 | Terminal (Not Shown) | | |
| 22 | 4568735 | 1 | Spacer, Tube (Idler Pulley Grooved) | | |
| 23 | 4711400 | 1 | Flatwasher 1/4" Narrow | | |
| 24 | 4711700 | 2 | Flatwasher 7/16" Narrow | | |

SECTION 2 TURNTABLE

FIGURE 2-21. 2500W GENERATOR INSTALLATION - GM MACHINES (OPTIONAL)

| ITEM # | PART NUMBER | QTY. | DESCRIPTION | REV. |
|--------|-------------|---------|---|------|
| 25 | 4740397 | 1 | Spacer (Not Shown - Located at Platform) | |
| 26 | 4751000 | 2 | Flatwasher #10 Wide | |
| 27 | 4751500 | 4 | Flatwasher 5/16" Wide | |
| 28 | 4811900 | 1 | Flatwasher 8mm | |
| 29 | 4891600 | 1 | Flatwasher 3/8" Hardened | |
| | 1001094475 | Ref. | HOURLY METER INSTALLATION (OPTIONAL) | B |
| 101 | Not Used | | | |
| 102 | 0720808 | 1 | Screw #8-32 x 1" | |
| 103 | 2420165 | 1 | Hourmeter | |
| 104 | 3310601 | 2 | Nut #6-32 | |
| 105 | 3310805 | 1 | Locknut #8-32 | |
| 106 | 3910608 | 2 | Screw #6-32 x 1/2" | |
| 107 | 4240032 | 4 | Strap, Tie | |
| 108 | 4420060 | 3in/7cm | Tape, Double-Sided | |
| 109 | 4460234 | 3 | Mount, Tie Strap | |
| 110 | 4750800 | 1 | Washer #8 | |
| 111 | 4760600 | 2 | Lockwasher #6 | |
| 112 | 1001094375 | 1 | Bracket, Hourmeter | |
| 113 | 1001094509 | 1 | Harness, Hourmeter | |
| 114 | 4460018 | 1 | Connector, Butt Splice (Not Shown) | |

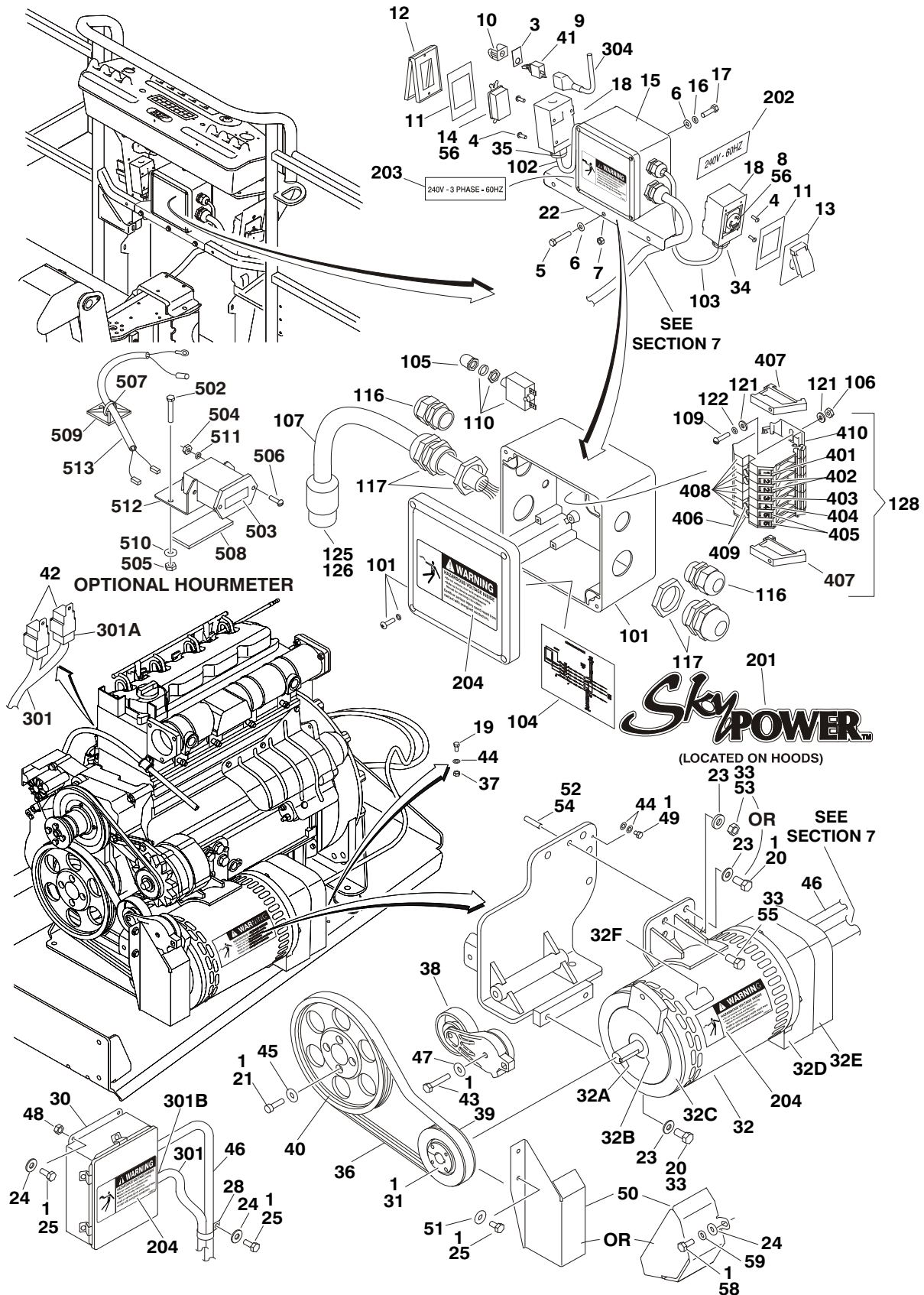
SECTION 2 TURNTABLE

FIGURE 2-21. 2500W GENERATOR INSTALLATION - GM MACHINES (OPTIONAL)

| ITEM # | PART NUMBER | QTY. | DESCRIPTION | REV. |
|--------|-------------|------|-------------|------|
| | | | | |

SECTION 2 TURNTABLE

FIGURE 2-22. 7500W SKYPOWER GENERATOR INSTALLATION - CATERPILLAR AND DEUTZ MACHINES



SECTION 2 TURNTABLE

FIGURE 2-22. 7500W SKYPOWER GENERATOR INSTALLATION - CATERPILLAR AND DEUTZ MACHINES

| ITEM # | PART NUMBER | QTY. | DESCRIPTION | REV. |
|--------|---------------|------|---|------|
| | | Ref. | 7500W SKYPOWER GENERATOR INSTALLATION | |
| | | | Caterpillar Engine: | |
| | 1001115398 | Ref. | 60Hz (ANSI Specs & CSA Specs) | B |
| | 1001115400 | Ref. | 50Hz (ALL Specs Except ANSI Specs & CSA Specs) | B |
| | | | Deutz Engine: | |
| | 1001115387 | Ref. | 60Hz (ANSI Specs & CSA Specs) | A |
| | 1001115389 | Ref. | 50Hz (ALL Specs Except ANSI Specs & CSA Specs) | A |
| | | | Note: SkyPower Generator is Standard On ANSI & CSA Specs. Optional on All Other Specs. | |
| 1 | 0100011 | A/R | Compound, Locking | |
| 2 | Not Used | | | |
| 3 | 3252764 | 1 | Nameplate | |
| 4 | 3910606 | 8 | Screw #6-32NC x 3/8" | |
| 5 | 0641516 | 3 | Bolt 5/16"-18NC x 2" | |
| 6 | | A/R | Flatwasher Options: | |
| | 4711500 | 10 | Flatwasher 5/16" Narrow (Caterpillar Engine) | |
| | 4751500 | 7 | Flatwasher 5/16" Wide (Deutz Engine) | |
| 7 | | 3 | Locknut Options: | |
| | 3311505 | | Locknut 5/16"-18NC (Caterpillar Engine) | |
| | 3311508 | | Nut 5/16"-18NC (Deutz Engine) | |
| 8 | | 1 | Receptacle, Female Twist-Lock Options: | |
| | 4460958 | | 60Hz | |
| | Not Available | | 50Hz (Purchase Locally) | |
| 9 | 4360336 | 1 | Switch, Toggle | |
| 10 | 4060802 | 1 | Guard, Switch | |
| 11 | | 2 | Gasket Options: | |
| | 3960422 | | 60Hz | |
| | Not Available | | 50Hz (Purchase Locally) | |
| 12 | | 1 | Cover, Receptacle Options: | |
| | 1001110873 | | 60Hz Cover, Top Hinged | |
| | Not Available | | 50Hz Cover (Supply Locally) | |
| 13 | | 1 | Cover, Receptacle Options: | |
| | 1001110872 | | 60Hz Cover, Top Hinged | |
| | Not Available | | 50Hz Cover (Supply Locally) | |
| 14 | | 1 | Receptacle, Female Options (110-120V): | |
| | 4460346 | | 60Hz | |
| | Not Available | | 50Hz (Supply Locally) | |
| 15 | | 1 | Junction Box Assembly Options (See Items 101-128 for Breakdown): | |
| | 0861542 | | 60Hz Spec | |
| | 0861567 | | 50Hz Spec | |
| 16 | 4761500 | 4 | Flatwasher 5/16" (Caterpillar Engine Only) | |
| 17 | | 4 | Bolt Options: | |
| | 0641505 | | Bolt 5/16"-18NC x 5/8" (Caterpillar Engine) | |
| | 0641508 | | Bolt 5/16"-18NC x 1" (Deutz Engine) | |

SECTION 2 TURNTABLE

FIGURE 2-22. 7500W SKYPOWER GENERATOR INSTALLATION - CATERPILLAR AND DEUTZ MACHINES (CONTINUED)

| ITEM # | PART NUMBER | QTY. | DESCRIPTION | REV. |
|----------|--|---|---|------|
| 18 | 0860038 Not Available | 2 | Box, Switch Options: 60Hz Spec 50Hz Spec (Supply Locally) | |
| 19 | 0641406 | 1 | Bolt 1/4"-20NC x 3/4" (Caterpillar Engine Only) | |
| 20 | 0641808 | A/R | Bolt 1/2"-13NC x 1" | |
| 21 | 0700815 4032015 | 4 | Bolt, Metric Options: Caterpillar Engine (Bolt M8 x 35mm) Deutz Engine (Capscrew M10 x 55mm) | |
| 22 | 0902888 | 1 | Bracket, Box Mounting | |
| 23 | 4711800 | A/R | Flatwasher 1/2" Narrow | |
| 24 | 4711400 | A/R | Flatwasher 1/4" Narrow | |
| 25 | 0641404 | A/R | Bolt 1/4"-20NC x 1/2" | |
| 26 to 27 | Not Used | | | |
| 28 | 1320318 | A/R | Clamp (Caterpillar Engine) | |
| 29 | 4240018 | A/R | Tie-strap (Not Shown) | |
| 30 | 0861538 0861572 7024488 Not Available 7024489 70000619 | 1 1 1 1 | Control Box Assembly Options: 60Hz Control Box 50Hz Control Box Card, Circuit - Generator Power Fuse (Purchase Locally) Card, Circuit - Control Harness, Control Box (Internal) | |
| | | | Note: Same Circuit Card (P/N 7024489) is used for both 60Hz & 50Hz. When replacing card, rocker switch on card must be set for required application. | |
| 31 | 0962520 | 1 | Bushing, Split Taper | |
| 32 | 2460050 2460048 70001100 70001384 70000863 70001969 70002088 70002297 7024484 7024561 | 1 1 1 1 1 1 1 1 1 | Generator Assembly Options: Caterpillar Engine Deutz Engine Rotor (Includes p/n 70001384 & 70000863) (Not Shown) Bearing, Ball Radial (Not Shown) Fan (Not Shown) Stator Options (Not Shown): 2460050 Generator 2460048 Generator Stud Brushholder Assembly with Brushes (Not Shown) Key | |
| 32A | 70001966 | 1 | Bearing, Ball Radial (Located In Belt Tensioner Endbell) | |
| 32B | 70001953 | 1 | Endbell, Belt Tensioner | |
| 32C | 70001385 | 1 | Endbell, Brush Block | |
| 32D | See Note | 1 | Shroud Options: Caterpillar Engine (Generator S/N LC199488 to S/N LE266271) (was p/n - As replacement) | |
| 32E | 70001971 | 1 | Note: P/N was 70001970 which is no longer available. As replacement, order these p/ns 70001971, 70001972, 70001991, 70001992 & 70001974. Caterpillar Engine (Generator S/N S/N LE266271 to Present) | |

SECTION 2 TURNTABLE

FIGURE 2-22. 7500W SKYPOWER GENERATOR INSTALLATION - CATERPILLAR AND DEUTZ MACHINES (CONTINUED)

| ITEM # | PART NUMBER | QTY. | DESCRIPTION | REV. |
|--------|---------------|------|--|------|
| 32E | Continued | 1 | Shroud Options: | |
| | 70002290 | | Deutz Engine | |
| | 7027799 | 1 | Block, Connector 6 Position (Not Shown) | |
| | 70002460 | 6 | Nut, Brass (Attaches p/n 7027799 to Cover) (Not Shown) | |
| | 7024485 | 1 | Breaker, Circuit 30Amp (Not Shown) | |
| | 70001696 | 1 | Boot, Breaker (was p/n 7024486 - Not Shown) | |
| | 7026597 | 1 | Connector, W/Leads (Not Shown) | |
| | 7026188 | 1 | Clamp, Cable (Not Shown) | |
| | | 1 | Plate, End Panel Options: | |
| | 70001972 | | Caterpillar Engine | |
| | 70002255 | | Deutz Engine | |
| | 70001974 | 1 | Decal - Terminal Connections | |
| 32F | 70001973 | 1 | Decal - Warning Moving Parts | |
| 33 | 0100019 | A/R | Compound, Locking | |
| 34 | | 1 | Connector, Strain Relief Options: | |
| | 4460051 | | 60Hz | |
| | Not Available | | 50Hz (Supply Locally) | |
| 35 | | 1 | Connector, Strain Relief | |
| | 4460071 | | 60Hz | |
| | Not Available | | 50Hz (Supply Locally) | |
| 36 | | 1 | Belt, Drive Options: | |
| | | | 60Hz Generators: | |
| | 0480129 | | Caterpillar Engine | |
| | 0480129 | | Deutz Engine | |
| | | | 50Hz Generators: | |
| | 0480125 | | Caterpillar Engine | |
| | 0480126 | | Deutz Engine | |
| 37 | 3311405 | 1 | Locknut 1/4"-20NC (Caterpillar Engine Only) | |
| 38 | 3580317 | 1 | Tensioner, Belt | |
| 39 | | 1 | Pulley Options: | |
| | 3580318 | | 60Hz | |
| | 3580319 | | 50Hz | |
| 40 | | 1 | Pulley Options: | |
| | 3580321 | | Caterpillar Engine | |
| | 3580320 | | Deutz Engine | |
| 41 | 2820031 | 1 | Insulator | |
| 42 | 3740080 | 2 | Relay | |
| 43 | 0641618 | 1 | Bolt 3/8"-16NC x 2 1/4" | |
| 44 | 4791400 | A/R | Starwasher 1/4" | |
| 45 | 4811900 | 4 | Flatwasher 8mm (Caterpillar Engine Only) | |
| 46 | 4922925 | 1 | Harness, Generator | |
| 47 | 4711600 | 1 | Flatwasher 3/8" Narrow | |
| 48 | 3311405 | 4 | Locknut 1/4"-20NC (Deutz Engine Only) | |
| 49 | 0641404 | 1 | Bolt 1/4"-20NC x 1/2 (Deutz Engine Only) | |
| 50 | | 1 | Shield Options: | |
| | 1001118599 | | Caterpillar Engine | |
| | 4061049 | | Deutz Engine | |
| 51 | 4751400 | 2 | Flatwasher 1/4" Wide (Deutz Engine Only) | |
| 52 | 4300157 | 1 | Stud (Deutz Engine Only) | |

SECTION 2 TURNTABLE

FIGURE 2-22. 7500W SKYPOWER GENERATOR INSTALLATION - CATERPILLAR AND DEUTZ MACHINES (CONTINUED)

| ITEM # | PART NUMBER | QTY. | DESCRIPTION | REV. |
|------------|--------------------------|------------|---|------|
| 53 | 3311801 | 1 | Nut 1/2"-13NC (Deutz Engine Only) | |
| 54 | 0100062 | 1 | Loctite (Deutz Engine Only) | |
| 55 | 0771415 | 1 | Bolt (Metric) M14 x 35mm (Deutz Engine Only) | |
| 56 | 4460315 | 4 | Terminal (Deutz Engine Only) | |
| 57 | 0100020 | A/R | Pipe Sealant (Deutz Engine Only) (Not Shown) | |
| 58 | 0641405 | A/R | Bolt 1/4"-20NC x 5/8" (Caterpillar Engine Only) (USA Built Machines S/N 0300143928 to Present & China Built Machines S/N B300000202 to Present) | |
| 59 | 4761400 | 2 | Lockwasher 1/4" (Caterpillar Engine Only) (USA Built Machines S/N 0300143928 to Present & China Built Machines S/N B300000202 to Present) | |
| | | Ref. | JUNCTION BOX ASSEMBLY | |
| | 0861542 | Ref. | 60Hz | D |
| | 0861567 | Ref. | 50Hz | B |
| 101 | 0861541 | 1 | Box, Junction | |
| 102 | 1060494 Not Available | 2ft/.6m | Cable, Electrical 12/3 Options: 60Hz Spec 50Hz Spec (Supply Locally) | |
| 103 | 1060708 Not Available | 2.5ft/.76m | Cable, Electrical 10/3 60Hz Spec 50Hz Spec (Supply Locally) | |
| 104 | 1705376 | 1 | Decal - Wiring Schematic | |
| 105 | 3300396 | 1 | Cover, Fuse | |
| 106 | 3310601 | 2 | Nut 6-32NC | |
| 107 | 1060343 | 1.5ft/.46m | Cable, Electrical 10/4 (60Hz Spec Only) | |
| 108 | Not Used | | | |
| 109 | 3910610 | 2 | Bolt 6-32NC x 5/8 | |
| 110 | 4360070 | 1 | Circuit Breaker - 15 Amp | |
| 111 to 115 | Not Used | | | |
| 116 | 4460425 | 2 | Strain Relief, Terminal | |
| 117 | 4460426 | 2 | Connector, Strain Relief | |
| 118 to 120 | Not Used | | | |
| 121 | 4750600 | 4 | Flatwasher, #6 Wide | |
| 122 | 4760600 | 2 | Lockwasher #6 | |
| 123 to 124 | Not Used | | | |
| 125 | 1671092 | 1 | Cover (60Hz Spec Only) | |
| 126 | 4460963 | 1 | Connector (60Hz Spec Only) | |
| 127 | Not Used | | | |
| 128 | | 1 | Terminal Block Assembly Options (See Items 401-410 for Breakdown): | |
| | NPN | | Gray Terminal Block Assembly | |
| | 1001121340 | | Tan Terminal Block Assembly | |

SECTION 2 TURNTABLE

FIGURE 2-22. 7500W SKYPOWER GENERATOR INSTALLATION - CATERPILLAR AND DEUTZ MACHINES (CONTINUED)

| ITEM # | PART NUMBER | QTY. | DESCRIPTION | REV. |
|------------|-------------|------|--|------|
| | | Ref. | DECAL INSTALLATION | |
| | 0272435 | Ref. | 60Hz Specs | A |
| | 0272589 | Ref. | 50Hz Spec | A |
| 201 | 1705460 | 2 | Decal - SkyPower™ | |
| 202 | 1705374 | 1 | Decal - 240V - 60Hz (60Hz Specs Only) | |
| 203 | | 1 | Decal - 240V - 3 Phase Options: | |
| | 1705375 | | 60Hz Spec | |
| | 1705461 | | 50Hz Spec | |
| 204 | | 3 | Decal, Hazardous Voltage Options: | |
| | 1705387 | | 60Hz Spec | |
| | 1705489 | | 50Hz Spec | |
| | 1001112586 | Ref. | ELECTRICAL DIAGRAM COMPONENTS | A |
| 301 | 1001112587 | 1 | Generator Harness | A |
| 301A | 4460374 | 2 | Plug, Sealed Relay | |
| | 4460375 | 7 | Terminal | |
| 301B | 4460967 | 1 | Plug, Male - 3 Position | |
| | 4460465 | 3 | Socket, Female | |
| 301C | 2400060 | 1 | Fuseholder (Not Shown) | |
| | 2400064 | 1 | Fuse - 5 Amp (Not Shown) | |
| 302 to 303 | Not Used | | | |
| 304 | 4922641 | 1 | Switch Harness | |
| | | Ref. | TERMINAL BLOCK ASSEMBLY | |
| | NPN | Ref. | Gray Terminal Block Assembly (Complete Assembly Not Available - Purchase Individual Components) | |
| | 1001121340 | Ref. | Tan Terminal Block Assembly | A |
| 401 | | 2 | Marker Strip #1 Options: | |
| | 4460411 | | Gray Terminal Block Assembly | |
| | 70002818 | | Tan Terminal Block Assembly | |
| 402 | | 4 | Marker Strip #2 Options: | |
| | 4460412 | | Gray Terminal Block Assembly | |
| | 70002819 | | Tan Terminal Block Assembly | |
| 403 | | 2 | Marker Strip #3 Options: | |
| | 4460413 | | Gray Terminal Block Assembly | |
| | 70002820 | | Tan Terminal Block Assembly | |
| 404 | | 2 | Marker Strip #4 Options: | |
| | 4460414 | | Gray Terminal Block Assembly | |
| | 70002821 | | Tan Terminal Block Assembly | |
| 405 | | 4 | Marker Strip #5 Options: | |
| | 4460415 | | Gray Terminal Block Assembly | |
| | 70002822 | | Tan Terminal Block Assembly | |
| 406 | | 1 | Terminal, End Barrier Options: | |
| | 4460956 | | Gray Terminal Block Assembly | |
| | 70002823 | | Tan Terminal Block Assembly | |

SECTION 2 TURNTABLE

FIGURE 2-22. 7500W SKYPOWER GENERATOR INSTALLATION - CATERPILLAR AND DEUTZ MACHINES (CONTINUED)

| ITEM # | PART NUMBER | QTY. | DESCRIPTION | REV. |
|--------|---------------------|---------|--|------|
| 407 | 4460607 70002824 | 2 | Terminal, End Block Options: Gray Terminal Block Assembly Tan Terminal Block Assembly | |
| 408 | 4460957 70002825 | 7 | Terminal, Block Options: Gray Terminal Block Assembly Tan Terminal Block Assembly | |
| 409 | 4461001 70002826 | 2 | Terminal, Cross Connector Jumper Options: Gray Terminal Block Assembly Tan Terminal Block Assembly | |
| 410 | 3641533 | 1 | Rail, Relay | |
| | 1001094475 | Ref. | HOURLY METER INSTALLATION (OPTIONAL) | B |
| 501 | Not Used | | | |
| 502 | 0720808 | 1 | Screw #8-32 x 1" | |
| 503 | 2420165 | 1 | Hourmeter | |
| 504 | 3310601 | 2 | Nut #6-32 | |
| 505 | 3310805 | 1 | Locknut #8-32 | |
| 506 | 3910608 | 2 | Screw #6-32 x 1/2" | |
| 507 | 4240032 | 4 | Strap, Tie | |
| 508 | 4420060 | 3in/7cm | Tape, Double-Sided | |
| 509 | 4460234 | 3 | Mount, Tie Strap | |
| 510 | 4750800 | 1 | Washer #8 | |
| 511 | 4760600 | 2 | Lockwasher #6 | |
| 512 | 1001094375 | 1 | Bracket, Hourmeter | |
| 513 | 1001094509 | 1 | Harness, Hourmeter | |
| 514 | 4460018 | 1 | Connector, Butt Splice (Not Shown) | |

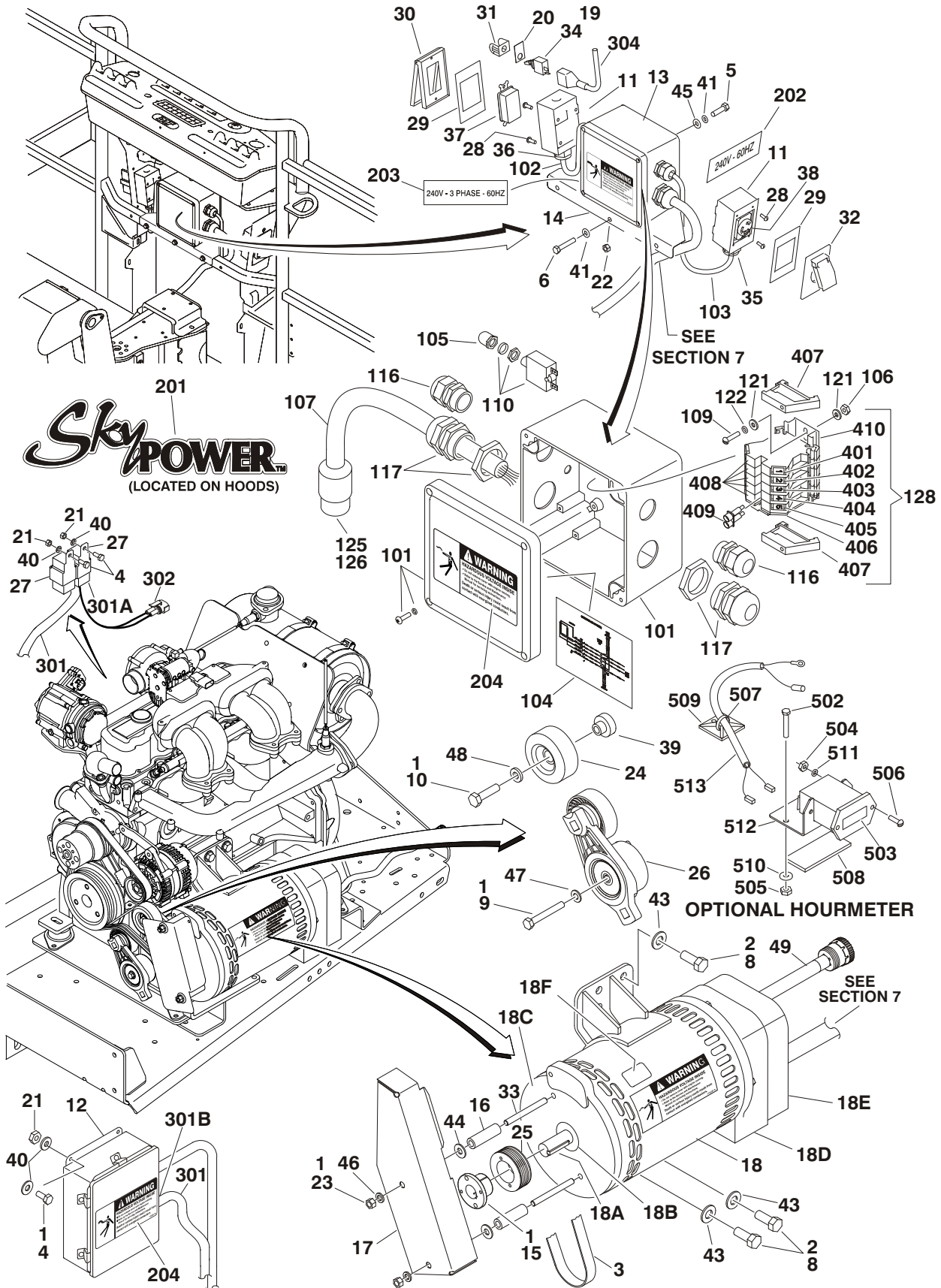
SECTION 2 TURNTABLE

FIGURE 2-22. 7500W SKYPOWER GENERATOR INSTALLATION - CATERPILLAR AND DEUTZ MACHINES (CONTINUED)

| ITEM # | PART NUMBER | QTY. | DESCRIPTION | REV. |
|--------|-------------|------|-------------|------|
| | | | | |

SECTION 2 TURNTABLE

FIGURE 2-23. 7500W SKYPOWER GENERATOR INSTALLATION - GM MACHINES



SECTION 2 TURNTABLE

FIGURE 2-23. 7500W SKYPOWER GENERATOR INSTALLATION - GM MACHINES

| ITEM # | PART NUMBER | QTY. | DESCRIPTION | REV. |
|--------|---------------|------|---|------|
| | | Ref. | Note: Only Available on USA Built Machines. | |
| | 0275257 | Ref. | 7500W SKYPOWER GENERATOR INSTALLATION | E |
| | | Ref. | Note: SkyPower Generator is Standard On ANSI & CSA Specs. Optional on All Other Specs. | |
| | | | Note: See Section 7 for Boom Cable Installation. | |
| 1 | 0100011 | A/R | Compound, Locking | |
| 2 | 0100019 | A/R | Compound, Locking | |
| 3 | 0480142 | 1 | Belt, Generator | |
| 4 | 0641405 | 6 | Bolt 1/4"-20NC x 5/8" | |
| 5 | 0641505 | 4 | Bolt 5/16"-18NC x 5/8" | |
| 6 | 0641516 | 3 | Bolt 5/16"-18NC x 2" | |
| 7 | Not Used | | | |
| 8 | 0641808 | 4 | Bolt 1/2"-13NC x 1" | |
| 9 | 0700820 | 1 | Bolt M8 x 60mm | |
| 10 | 0701016 | 1 | Bolt M10 x 40mm | |
| 11 | 0860038 | 2 | Box, Switch | |
| 12 | 0861538 | 1 | Control Box Assembly | |
| | 7024488 | 1 | Card, Circuit - Generator Power | |
| | Not Available | 1 | Fuse (Purchase Locally) | |
| | 7024489 | 1 | Card, Circuit - Control | |
| | 70000619 | 1 | Harness, Control Box (Internal) | |
| 13 | 0861542 | 1 | Junction Box Assembly (See Items 101-128 for Breakdown) | |
| 14 | 0902888 | 1 | Bracket, Box Mounting | |
| 15 | 0962520 | 1 | Bushing, Split Taper | |
| 16 | 0962521 | 2 | Spacer, Tube | |
| 17 | 1671311 | 1 | Cover, Generator Belt | |
| 18 | 2460048 | 1 | Generator Assembly | |
| | 70001100 | 1 | Rotor (Includes p/n 70001384 & 70000863) (Not Shown) | |
| | 70001384 | 1 | Bearing, Ball Radial (Not Shown) | |
| | 70000863 | 1 | Fan (Not Shown) | |
| | 70002088 | 1 | Stator (Not Shown) | |
| | 70002297 | 1 | Stud (Not Shown) | |
| | 7024484 | 1 | Brushholder Assembly (Not Shown) | |
| 18A | 7024561 | 1 | Key | |
| 18B | 70001966 | 1 | Bearing, Shaft (Front) | |
| 18C | 70001953 | 1 | Endbell (Front) | |
| 18D | 70001385 | 1 | Endbell (Rear) | |
| 18E | 70002290 | 1 | Shroud Assy Endbell (Rear) | |
| | 7027799 | 1 | Block, Connection - 6 Position (Not Shown) | |
| | 70002460 | 6 | Nut, Brass (Attaches p/n 7027799 to Cover) (Not Shown) | |
| | 7024485 | 1 | Breaker, Circuit 30Amp (Not Shown) | |
| | 70001696 | 1 | Boot, Breaker (Not Shown) | |
| | 7026597 | 1 | Connector, W/Lead (Not Shown) | |
| | 7026188 | 1 | Connector, Clamp (Not Shown) | |
| | 70002255 | 1 | Panel, End (Not Shown) | |
| | 70001974 | 1 | Decal - Terminal Connections (Not Shown) | |
| 18F | 70001973 | 1 | Decal - Warning Moving Parts | |

SECTION 2 TURNTABLE

FIGURE 2-23. 7500W SKYPOWER GENERATOR INSTALLATION - GM MACHINES

| ITEM # | PART NUMBER | QTY. | DESCRIPTION | REV. |
|------------|-------------|------------|-------------------------------|------|
| 19 | 2820031 | 1 | Insulator | |
| 20 | 3252764 | 1 | Nameplate | |
| 21 | 3311405 | 6 | Locknut 1/4"-20NC | |
| 22 | 3311505 | 3 | Locknut 5/16"-18NC | |
| 23 | 3311601 | 2 | Nut 3/8"-16NC | |
| 24 | 3580312 | 1 | Pulley, Idler | |
| 25 | 3580314 | 1 | Pulley, Drive Grooved | |
| 26 | 3580348 | 1 | Pulley, Belt Tensioner | |
| 27 | 3740080 | 2 | Relay | |
| 28 | 3910606 | 8 | Screw #6-32NC x 3/8" | |
| 29 | 3960422 | 2 | Gasket | |
| 30 | 1001110873 | 1 | Cover, Receptacle | |
| 31 | 4060802 | 1 | Guard, Switch | |
| 32 | 1001110872 | 1 | Cover, Receptacle | |
| 33 | 4300111 | 2 | Stud, Chain Assembly | |
| 34 | 4360336 | 1 | Switch, Toggle | |
| 35 | 4460051 | 1 | Connector, Strain Relief | |
| 36 | 4460071 | 1 | Connector, Strain Relief | |
| 37 | 4460346 | 1 | Receptacle | |
| 38 | 4460958 | 1 | Receptacle, Female Twist-Lock | |
| 39 | 4568735 | 1 | Tube, Spacer Pulley Grooved | |
| 40 | 4711400 | 10 | Flatwasher 1/4" Narrow | |
| 41 | 4711500 | 10 | Flatwasher 5/16" Narrow | |
| 42 | Not Used | | | |
| 43 | 4711800 | 4 | Flatwasher 1/2" Narrow | |
| 44 | 4751600 | 2 | Flatwasher 3/8" Wide | |
| 45 | 4761500 | 4 | Lockwasher 5/16" | |
| 46 | 4761600 | 2 | Lockwasher 3/8" | |
| 47 | 4811900 | 1 | Flatwasher 8mm | |
| 48 | 4891600 | 1 | Washer, Hardened 3/8" | |
| 49 | 4922925 | 1 | Harness, Generator | |
| | 0861542 | Ref. | JUNCTION BOX ASSEMBLY | D |
| 101 | 0861541 | 1 | Box, Junction | |
| 102 | 1060494 | 2ft/.6m | Cable, Electrical 12/3 | |
| 103 | 1060708 | 2.5ft/.76m | Cable, Electrical 10/3 | |
| 104 | 1705376 | 1 | Decal - Wiring Schematic | |
| 105 | 3300396 | 1 | Cover, Fuse | |
| 106 | 3310601 | 2 | Nut 6-32NC | |
| 107 | 1060343 | 1.5ft/.46m | Cable, Electrical 10/4 | |
| 108 | Not Used | | | |
| 109 | 3910610 | 2 | Bolt 6-32NC x 5/8 | |
| 110 | 4360070 | 1 | Circuit Breaker - 15 Amp | |
| 111 to 115 | Not Used | | | |
| 116 | 4460425 | 2 | Strain Relief, Terminal | |
| 117 | 4460426 | 2 | Connector, Strain Relief | |
| 118 to 120 | Not Used | | | |
| 121 | 4750600 | 4 | Flatwasher, #6 Wide | |

SECTION 2 TURNTABLE

FIGURE 2-23. 7500W SKYPOWER GENERATOR INSTALLATION - GM MACHINES

| ITEM # | PART NUMBER | QTY. | DESCRIPTION | REV. |
|------------|-------------|------|--|------|
| 122 | 4760600 | 2 | Lockwasher #6 | |
| 123 to 124 | Not Used | | | |
| 125 | 1671092 | 1 | Cover | |
| 126 | 4460963 | 1 | Connector | |
| 127 | Not Used | | | |
| 128 | | 1 | Terminal Block Assembly Options (See Items 401-410 for Break-down): | |
| | NPN | | Gray Terminal Block Assembly | |
| | 1001121340 | | Tan Terminal Block Assembly | |
| | 0272435 | Ref. | DECAL INSTALLATION | A |
| 201 | 1705460 | 2 | Decal - SkyPower™ | |
| 202 | 1705374 | 1 | Decal - 240V - 60Hz | |
| 203 | 1705375 | 1 | Decal - 240V - 3 Phase | |
| 204 | 1705387 | 3 | Decal, Hazardous Voltage | |
| | 4933349 | Ref. | ELECTRICAL DIAGRAM COMPONENTS | A |
| 301 | 4923420 | 1 | Generator Harness | A |
| 301A | 4460374 | 2 | Plug, Sealed Relay | |
| | 4460375 | 8 | Terminal | |
| 301B | 4460967 | 1 | Plug, Male - 3 Position | |
| | 4460465 | 3 | Socket, Female | |
| 301C | 2400060 | 2 | Fuseholder (Not Shown) | |
| | 2400064 | 2 | Fuse - 5 Amp (Not Shown) | |
| 302 | 4460742 | 1 | Connector - 2 Position | |
| | 4460743 | 2 | Socket, Female | |
| | 4460458 | 2 | Seal | |
| 303 | Not Used | | | |
| 304 | 4922641 | 1 | Switch Harness | |
| | | Ref. | TERMINAL BLOCK ASSEMBLY | |
| | NPN | Ref. | Gray Terminal Block Assembly (Complete Assembly Not Available - Purchase Individual Components) | |
| | 1001121340 | Ref. | Tan Terminal Block Assembly | A |
| 401 | | 2 | Marker Strip #1 Options: | |
| | 4460411 | | Gray Terminal Block Assembly | |
| | 70002818 | | Tan Terminal Block Assembly | |
| 402 | | 4 | Marker Strip #2 Options: | |
| | 4460412 | | Gray Terminal Block Assembly | |
| | 70002819 | | Tan Terminal Block Assembly | |
| 403 | | 2 | Marker Strip #3 Options: | |
| | 4460413 | | Gray Terminal Block Assembly | |
| | 70002820 | | Tan Terminal Block Assembly | |
| 404 | | 2 | Marker Strip #4 Options: | |
| | 4460414 | | Gray Terminal Block Assembly | |
| | 70002821 | | Tan Terminal Block Assembly | |

SECTION 2 TURNTABLE

FIGURE 2-23. 7500W SKYPOWER GENERATOR INSTALLATION - GM MACHINES

| ITEM # | PART NUMBER | QTY. | DESCRIPTION | REV. |
|--------|---------------------|---------|--|------|
| 405 | 4460415 70002822 | 4 | Marker Strip #5 Options: Gray Terminal Block Assembly Tan Terminal Block Assembly | |
| 406 | 4460956 70002823 | 1 | Terminal, End Barrier Options: Gray Terminal Block Assembly Tan Terminal Block Assembly | |
| 407 | 4460607 70002824 | 2 | Terminal, End Block Options: Gray Terminal Block Assembly Tan Terminal Block Assembly | |
| 408 | 4460957 70002825 | 7 | Terminal, Block Options: Gray Terminal Block Assembly Tan Terminal Block Assembly | |
| 409 | 4461001 70002826 | 2 | Terminal, Cross Connector Jumper Options: Gray Terminal Block Assembly Tan Terminal Block Assembly | |
| 410 | 3641533 | 1 | Rail, Relay | |
| | 1001094475 | Ref. | HOURLY METER INSTALLATION (OPTIONAL) | B |
| 501 | Not Used | | | |
| 502 | 0720808 | 1 | Screw #8-32 x 1" | |
| 503 | 2420165 | 1 | Hourmeter | |
| 504 | 3310601 | 2 | Nut #6-32 | |
| 505 | 3310805 | 1 | Locknut #8-32 | |
| 506 | 3910608 | 2 | Screw #6-32 x 1/2" | |
| 507 | 4240032 | 4 | Strap, Tie | |
| 508 | 4420060 | 3in/7cm | Tape, Double-Sided | |
| 509 | 4460234 | 3 | Mount, Tie Strap | |
| 510 | 4750800 | 1 | Washer #8 | |
| 511 | 4760600 | 2 | Lockwasher #6 | |
| 512 | 1001094375 | 1 | Bracket, Hourmeter | |
| 513 | 1001094509 | 1 | Harness, Hourmeter | |
| 514 | 4460018 | 1 | Connector, Butt Splice (Not Shown) | |

SECTION 3 BOOM

SECTION 3 BOOM

FIGURE 3-1. BOOM AND CYLINDER INSTALLATION - 800A

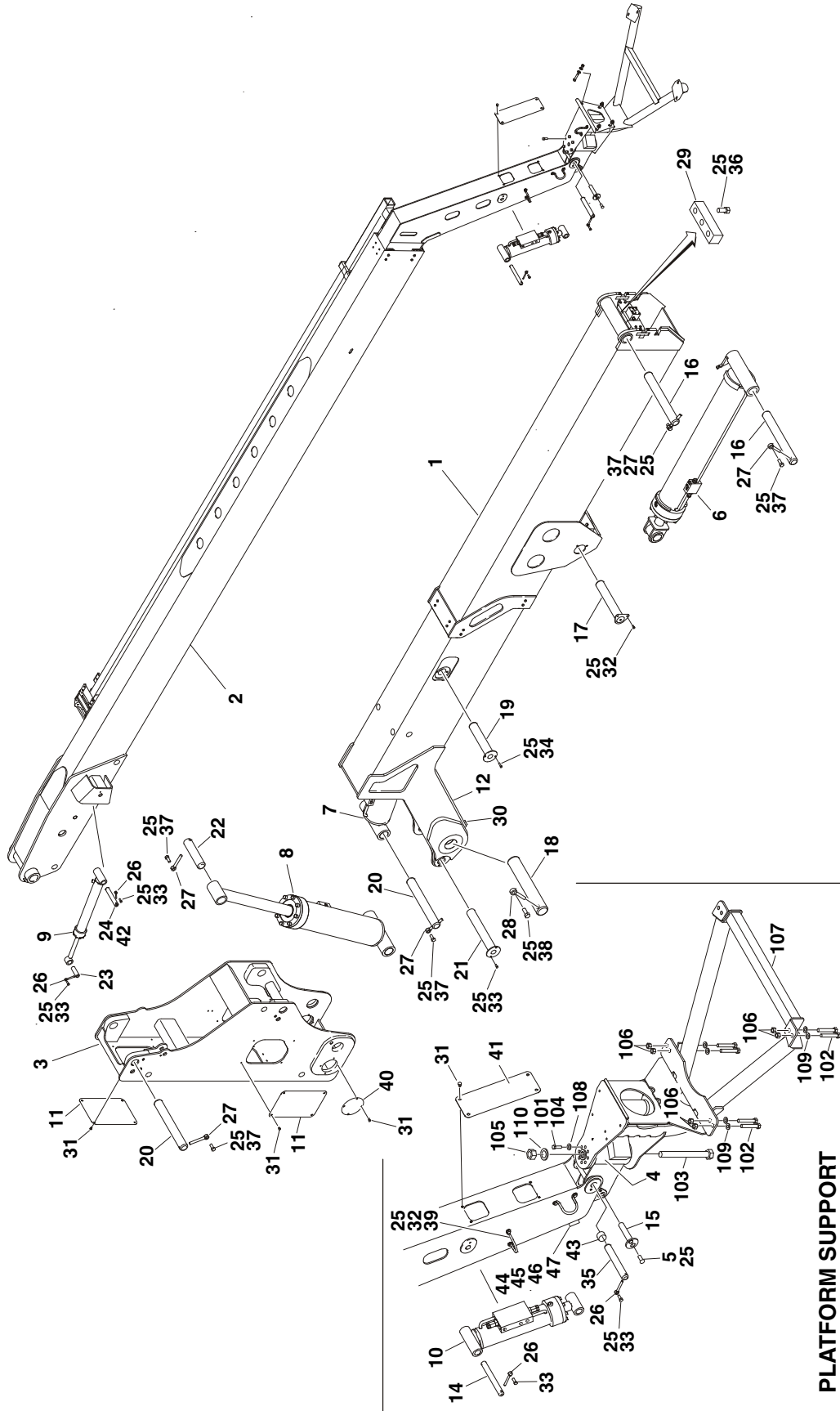


FIGURE 3-1. BOOM AND CYLINDER INSTALLATION - 800A

| ITEM # | PART NUMBER | QTY. | DESCRIPTION | REV. |
|--------|-------------|------|---|------|
| | 0272381 | Ref. | BOOMS AND CYLINDERS INSTALLATIONS | E |
| 1 | 0801132 | 1 | Boom Assembly - Tower (See Figure 3-3 for Breakdown) | |
| 2 | 0801135 | 1 | Boom Assembly - Main (See Figure 3-4 for Breakdown) | |
| 3 | 4845593 | 1 | Upright Weldment | |
| 4 | 0060069 | 1 | Rotator Actuator Assembly (See Figure 3-5 for Breakdown) | |
| 5 | 0741607 | 1 | Screw, Countersunk 3/8"-16NC x 7/8" | |
| 6 | 1683537 | 1 | Lift Cylinder Assembly - Tower Boom (See Section 5 for Breakdown) | |
| 7 | 1684497 | 1 | Level Cylinder Assembly - Upright (See Section 5 for Breakdown) | |
| 8 | 1683547 | 1 | Lift Cylinder Assembly - Main Boom (See Section 5 for Breakdown) | |
| 9 | 1683608 | 1 | Master Cylinder Assembly (See Section 5 for Breakdown) | |
| 10 | 1684408 | 1 | Slave Cylinder Assembly (See Section 5 for Breakdown) | |
| 11 | 1670844 | 4 | Cover, Upright | |
| 12 | 1670850 | 1 | Cover, Tower Fly | |
| 13 | Not Used | | | |
| 14 | 3422578 | 1 | Pin | |
| 15 | 3422580 | 1 | Pin | |
| 16 | 3422681 | 2 | Pin | |
| 17 | 3422729 | 1 | Pin | |
| 18 | 3422683 | 1 | Pin | |
| 19 | 3422684 | 1 | Pin | |
| 20 | 3422685 | 2 | Pin | |
| 21 | 3422686 | 1 | Pin | |
| 22 | 3422687 | 1 | Pin | |
| 23 | 3422688 | 1 | Pin | |
| 24 | 3422689 | 1 | Pin | |
| 25 | 0100011 | A/R | Compound, Locking | |
| 26 | 3841143 | 4 | Keeper, Pin | |
| 27 | 3841287 | 5 | Keeper, Pin | |
| 28 | 3841356 | 1 | Keeper, Pin | |
| 29 | 3340835 | 1 | Pad, Rest | |
| 30 | 0641404 | 4 | Bolt 1/4"-20NC x 1/2" | |
| 31 | 0641604 | 28 | Bolt 3/8"-16NC x 1/2" | |
| 32 | 0641606 | 6 | Bolt 3/8"-16NC x 3/4" | |
| 33 | 0641608 | 6 | Bolt 3/8"-16NC x 1" | |
| 34 | 0641611 | 2 | Bolt 3/8"-16NC x 1 3/8" | |
| 35 | 3422582 | 1 | Pin | |
| 36 | 0641820 | 3 | Bolt 1/2"-13NC x 2 1/2" | |
| 37 | 0642214 | 5 | Bolt 3/4"-10NC x 1 3/4" | |
| 38 | 0642620 | 1 | Bolt 1"-8NC x 2 1/2" | |
| 39 | 3841340 | 2 | Rod, Hose Loop | |
| 40 | 1120510 | 2 | Cover, Upright | |
| 41 | 1670864 | 1 | Cover, Fly Hose | |
| 42 | 3900239 | 1 | Setscrew 3/8"-16NC x 1/2" | |
| 43 | 0961951 | 2 | Bearing, Garmax | |
| 44 | 0641516 | 1 | Bolt 5/16"-18NC x 2" | |
| 45 | 1320159 | 1 | Clamp | |

SECTION 3 BOOM

FIGURE 3-1. BOOM AND CYLINDER INSTALLATION - 800A (CONTINUED)

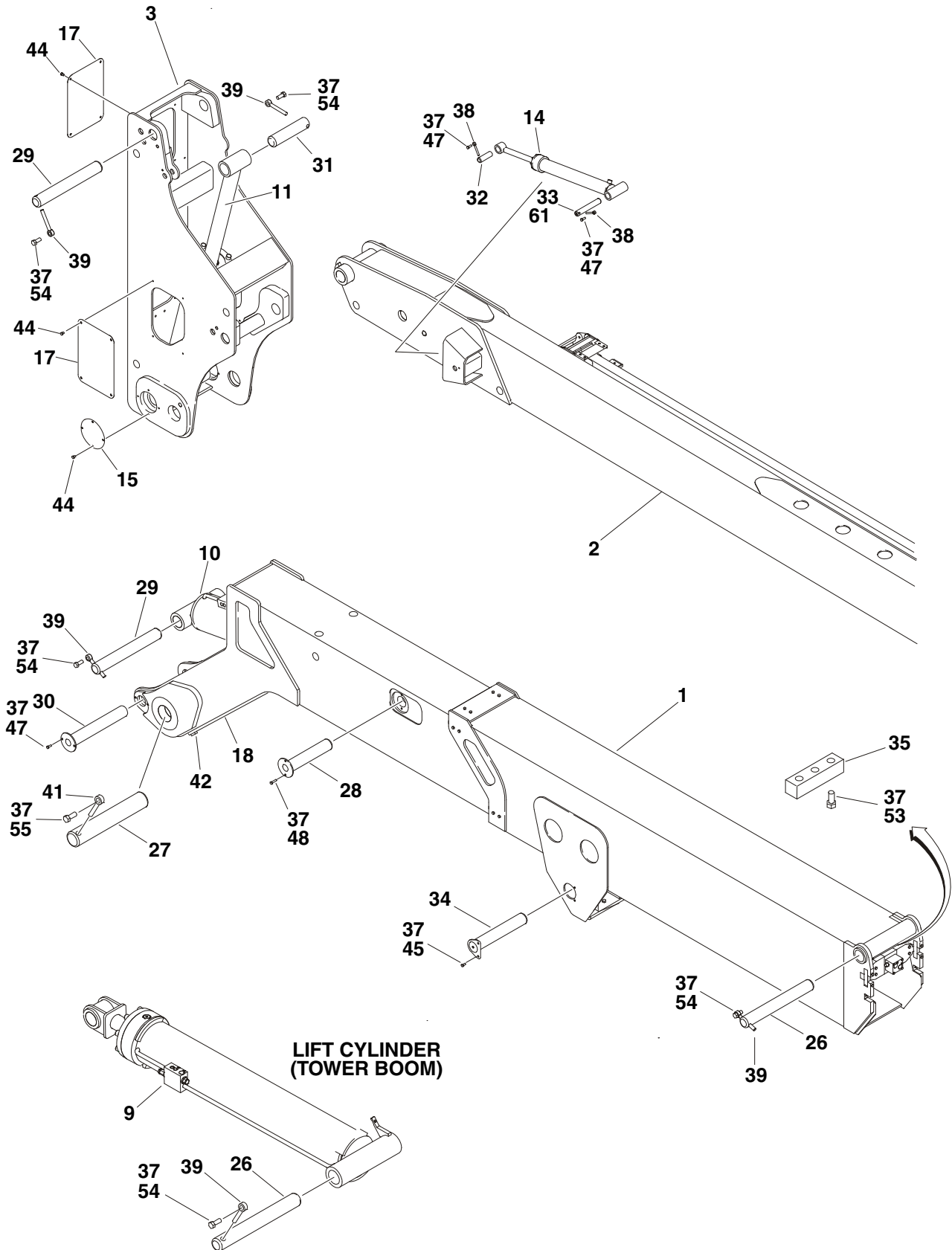
| ITEM # | PART NUMBER | QTY. | DESCRIPTION | REV. |
|--------|-------------|------|--|------|
| 46 | 4711500 | 1 | Flatwasher 5/16" Narrow | |
| 47 | 3311505 | 1 | Locknut 5/16" x 18NC | |
| | | Ref. | PLATFORM SUPPORT INSTALLATION | |
| | 0272070 | Ref. | Machines without Load Sensing and without SkyGlazier | E |
| | See Note | Ref. | Machines without Load Sensing and with SkyGlazier (Note: Refer to JLG Supplement p/n 3124242 for Components.) | |
| | See Note | Ref. | Machines with Load Sensing and without SkyGlazier (Note: Refer to JLG Supplement p/n 3124287 for Components) | |
| | See Note | Ref. | Machines with Load Sensing and with SkyGlazier (Note: Refer to JLG Supplement p/n 3124287 for Components) | |
| 101 | 0100011 | A/R | Compound, Locking | |
| 102 | 0641812 | 8 | Bolt 1/2"-13NC x 1 1/2" | |
| 103 | 0642684 | 1 | Bolt 1-8NC x 10 1/2" | |
| 104 | 0681608 | 8 | Bolt 3/8"-16NC x 1" | |
| 105 | 3300243 | 1 | Locknut 1-8NC | |
| 106 | 3311805 | 8 | Locknut 1/2"-13NC | |
| 107 | 4846573 | 1 | Support Weldment | |
| 108 | 4891600 | 8 | Flatwasher 3/8 (Hardened) | |
| 109 | 4891800 | 8 | Flatwasher 1/2 (Hardened) | |
| 110 | 4892600 | 1 | Flatwasher 1 (Hardened) | |

FIGURE 3-1. BOOM AND CYLINDER INSTALLATION - 800A (CONTINUED)

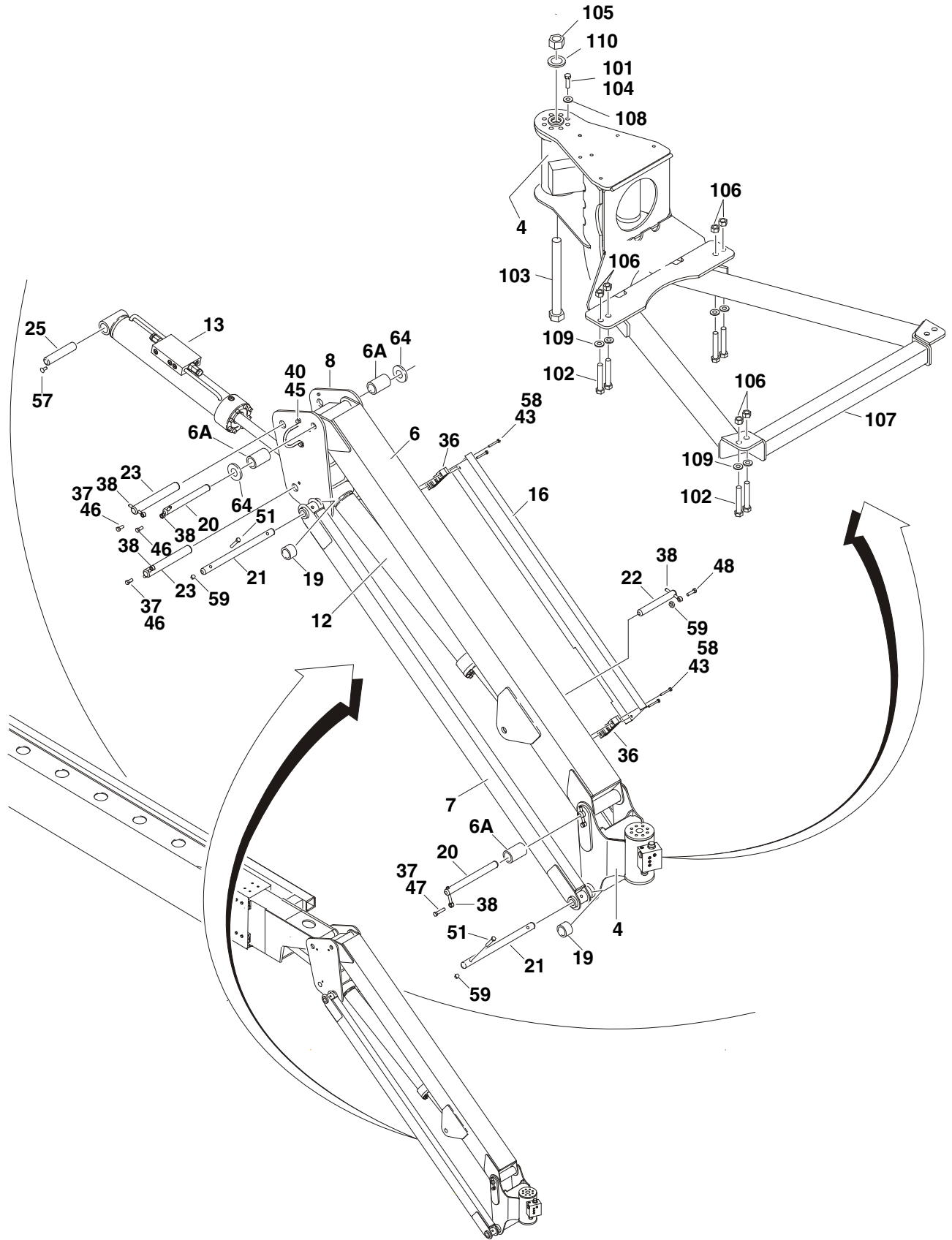
| ITEM # | PART NUMBER | QTY. | DESCRIPTION | REV. |
|--------|-------------|------|-------------|------|
| | | | | |

SECTION 3 BOOM

FIGURE 3-2. BOOM AND CYLINDER INSTALLATION - 800AJ



PLATFORM SUPPORT



SECTION 3 BOOM

FIGURE 3-2. BOOM AND CYLINDER INSTALLATION - 800AJ

| ITEM # | PART NUMBER | QTY. | DESCRIPTION | REV. |
|--------|-------------|------|---|------|
| | 0272131 | Ref. | BOOMS AND CYLINDERS INSTALLATION | H |
| 1 | 0801132 | 1 | Boom Assembly -Tower (See Figure 3-3 for Breakdown) | |
| 2 | 0801136 | 1 | Boom Assembly - Main (See Figure 3-4 for Breakdown) | |
| 3 | 4845593 | 1 | Upright Weldment | |
| 4 | 0060066 | 1 | Rotator Actuator Assembly (See Figure 3-5 for Breakdown) | |
| 5 | Not Used | | | |
| 6 | 4844816 | 1 | Tube Weldment - Jib Top | |
| 6A | 0962335 | 4 | Bearing, Composite | |
| 7 | 4844817 | 2 | Tube Weldment - Jib Bottom | |
| 8 | 4845716 | 1 | Pivot Weldment | |
| 9 | 1683537 | 1 | Lift Cylinder Assembly - Tower Boom (See Section 5 for Breakdown) | |
| 10 | 1684497 | 1 | Level Cylinder Assembly - Upright (See Section 5 for Breakdown) | |
| 11 | 1683547 | 1 | Lift Cylinder Assembly - Main Boom (See Section 5 for Breakdown) | |
| 12 | 1683609 | 1 | Lift Cylinder Assembly - Jib (See Section 5 for Breakdown) | |
| 13 | 1684228 | 1 | Slave Cylinder Assembly (See Section 5 for Breakdown) | |
| 14 | 1683682 | 1 | Master Cylinder Assembly (See Section 5 for Breakdown) | |
| 15 | 1120510 | 2 | Cover, Upright | |
| 16 | 1670769 | 1 | Cover, Cable | |
| 17 | 1670844 | 4 | Cover, Upright | |
| 18 | 1670850 | 1 | Cover, Tower Fly | |
| 19 | 0961947 | 6 | Bearing, Garmax | |
| 20 | 3422860 | 2 | Pin | |
| 21 | 3422861 | 2 | Pin | |
| 22 | 3422867 | 1 | Pin | |
| 23 | 3422561 | 2 | Pin | |
| 24 | Not Used | | | |
| 25 | 3422583 | 1 | Pin | |
| 26 | 3422681 | 2 | Pin | |
| 27 | 3422683 | 1 | Pin | |
| 28 | 3422684 | 1 | Pin | |
| 29 | 3422685 | 2 | Pin | |
| 30 | 3422686 | 1 | Pin | |
| 31 | 3422687 | 1 | Pin | |
| 32 | 3422688 | 1 | Pin | |
| 33 | 3422689 | 1 | Pin | |
| 34 | 3422729 | 1 | Pin | |
| 35 | 3340835 | 1 | Pad, Rest | |
| 36 | 0561237 | 2 | Clamp, Block | |
| 37 | 0100011 | A/R | Compound, Locking | |
| 38 | 3841143 | 7 | Keeper, Pin | |
| 39 | 3841287 | 5 | Keeper, Pin | |
| 40 | 3841340 | 1 | Rod, Hose Loop | |
| 41 | 3841356 | 1 | Keeper, Pin | |
| 42 | 0641404 | 4 | Bolt 1/4"-20NC x 1/2" | |
| 43 | 0641416 | 4 | Bolt 1/4"-20NC x 2" | |

SECTION 3 BOOM

FIGURE 3-2. BOOM AND CYLINDER INSTALLATION - 800AJ (CONTINUED)

| ITEM # | PART NUMBER | QTY. | DESCRIPTION | REV. |
|----------|-------------|------|--|------|
| 44 | 0641604 | 24 | Bolt 3/8"-16NC x 1/2" | |
| 45 | 0641606 | 4 | Bolt 3/8"-16NC x 3/4" | |
| 46 | 0641607 | 3 | Bolt 3/8"-16NC x 7/8" | |
| 47 | 0641608 | 5 | Bolt 3/8"-16NC x 1" | |
| 48 | 0641611 | 1 | Bolt 3/8"-16NC x 1 3/8" | |
| 49 to 50 | Not Used | | | |
| 51 | 0641618 | 4 | Bolt 3/8"-16NC x 2 1/4" | |
| 52 | Not Used | | | |
| 53 | 0641820 | 3 | Bolt 1/2"-13NC x 2 1/2" | |
| 54 | 0642214 | 5 | Bolt 3/4"-10NC x 1 3/4" | |
| 55 | 0642620 | 1 | Bolt 1"-8NC x 2 1/2" | |
| 56 | Not Used | | | |
| 57 | 0741607 | 1 | Screw, Countersunk 3/8"-16NC x 7/8" | |
| 58 | 2080044 | 4 | Rivnut 1/4"-20NC | |
| 59 | 3311605 | 5 | Locknut 3/8"-16NC | |
| 60 | Not Used | | | |
| 61 | 3900239 | 1 | Setscrew 3/8"-16NC x 1/2" | |
| 62 to 63 | Not Used | | | |
| 64 | 4740439 | 2 | Washer, Thrust | |
| | | Ref. | PLATFORM SUPPORT INSTALLATION (SIDE ENTRY PLATFORM) | |
| | 0272070 | Ref. | Machines without Load Sensing and without SkyGlazier | E |
| | See Note | Ref. | Machines without Load Sensing and with SkyGlazier (Note: Refer to JLG Supplement p/n 3124242 for Components.) | |
| | See Note | Ref. | Machines with Load Sensing and without SkyGlazier (Note: Refer to JLG Supplement p/n 3124287 for Components) | |
| | See Note | Ref. | Machines with Load Sensing and with SkyGlazier (Note: Refer to JLG Supplement p/n 3124287 for Components) | |
| 101 | 0100011 | A/R | Compound, Locking | |
| 102 | 0641812 | 8 | Bolt 1/2"-13NC x 1 1/2" | |
| 103 | 0642684 | 1 | Bolt 1-8NC x 10 1/2" | |
| 104 | 0681608 | 8 | Bolt 3/8"-16NC x 1" | |
| 105 | 3300243 | 1 | Locknut 1-8NC | |
| 106 | 3311805 | 8 | Locknut 1/2"-13NC | |
| 107 | 4846573 | 1 | Support Weldment | |
| 108 | 4891600 | 8 | Flatwasher 3/8 (Hardened) | |
| 109 | 4891800 | 8 | Flatwasher 1/2 (Hardened) | |
| 110 | 4892600 | 1 | Flatwasher 1 (Hardened) | |

SECTION 3 BOOM

FIGURE 3-3. TOWER BOOM ASSEMBLY

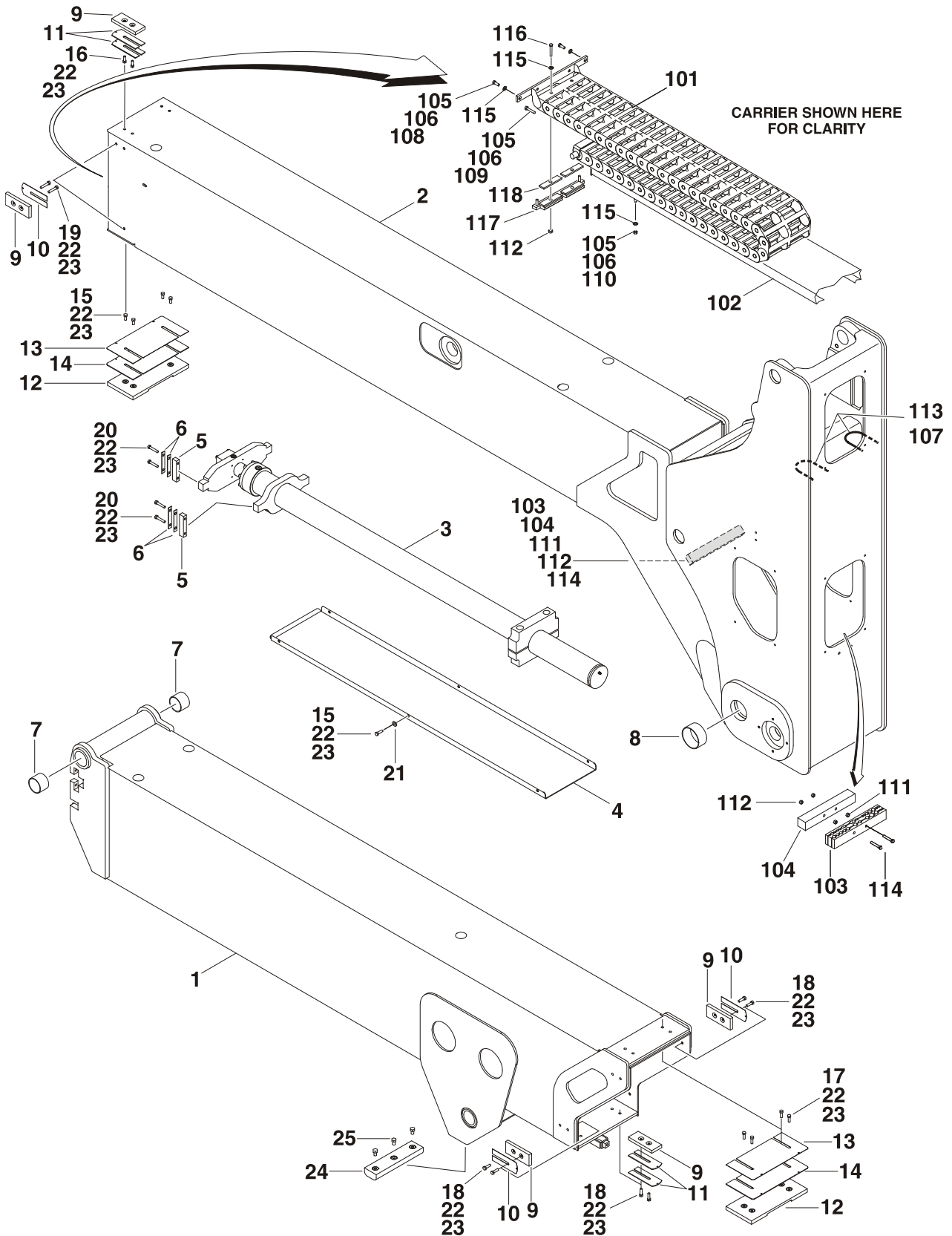


FIGURE 3-3. TOWER BOOM ASSEMBLY

| ITEM # | PART NUMBER | QTY. | DESCRIPTION | REV. |
|--------|-------------|------|--|------|
| | 0801132 | Ref. | TOWER BOOM ASSEMBLY | E |
| 1 | 0801594 | 1 | Base Weldment | |
| 2 | 0801496 | 1 | Fly Weldment | |
| 3 | 1683606 | 1 | Cylinder Assembly - Tower Telescope (See Section 5 for Breakdown) | |
| 4 | 4340706 | 1 | Support | |
| 5 | 0561185 | 4 | Block, Attach | |
| 6 | 4070929 | 8 | Shim 1/16" | |
| 7 | 0962102 | 2 | Bushing, Garmax | |
| 8 | 0962122 | 2 | Bushing, Garmax | |
| 9 | 3340881 | 12 | Pad, Wear | |
| 10 | 4070897 | 8 | Shim .05 | |
| 11 | 4070898 | 8 | Shim .12 | |
| 12 | 3340828 | 2 | Pad, Wear | |
| 13 | 4070967 | 2 | Shim .05 | |
| 14 | 4070968 | 2 | Shim .12 | |
| 15 | 0641607 | 10 | Bolt 3/8"-16NC x 7/8" | |
| 16 | 0641608 | 4 | Bolt 3/8"-16NC x 1" | |
| 17 | 0641609 | 4 | Bolt 3/8"-16NC x 1 1/8" | |
| 18 | 0641610 | 12 | Bolt 3/8"-16NC x 1 1/4" | |
| 19 | 0641615 | 8 | Bolt 3/8"-16NC x 1 7/8" | |
| 20 | 0641616 | 8 | Bolt 3/8"-16NC x 2" | |
| 21 | 4711600 | 6 | Flatwasher 3/8" Narrow | |
| 22 | 0100011 | A/R | Compound, Locking | |
| 23 | 0100038 | A/R | Primer, Locking | |
| 24 | 3340835 | 1 | Pad, Boom Rest | |
| 25 | 0641806 | 3 | Bolt 1/2"-13NC x 3/4" | |
| | | Ref. | POWER TRACK INSTALLATIONS | |
| | 0257764 | Ref. | Without Arctic Package | H |
| | 1001094661 | Ref. | With Arctic Package | B |
| 101 | 1180346 | 1 | Carrier | |
| | 7020064 | 1 | Bracket, End (Moving) | |
| | 7020065 | 1 | Bracket, End (Fixed) | |
| | 7020066 | 1 | Section, Repair 1Foot | |
| | 7020067 | 1 | Link, Repair | |
| 102 | 4845680 | 1 | Hose Tube Weldment | |
| 103 | | 2 | Clamp, Block Options: Without Arctic Package With Arctic Package | |
| 104 | 1320251 | | | |
| | 1001094662 | | | |
| 104 | 1320250 | 2 | Bar, Clamp | |
| 105 | 0100011 | A/R | Compound, Locking | |
| 106 | 0100038 | A/R | Primer, Locking | |
| 107 | 0641605 | 4 | Bolt 3/8"-16NC x 5/8" | |
| 108 | 0641606 | 2 | Bolt 3/8"-16NC x 3/4" | |
| 109 | 0641622 | 2 | Bolt 3/8"-16NC x 2 3/4" | |
| 110 | 3311601 | 4 | Nut 3/8"-16NC | |

SECTION 3 BOOM

FIGURE 3-3. TOWER BOOM ASSEMBLY (CONTINUED)

| ITEM # | PART NUMBER | QTY. | DESCRIPTION | REV. |
|--------|-------------|------|------------------------|------|
| 111 | 3311602 | 4 | Nut, Jam 3/8"-16NC | |
| 112 | 3311605 | 6 | Locknut 3/8"-16NC | |
| 113 | 3841340 | 2 | Rod, Hose Loop | |
| 114 | 3900262 | 4 | Bolt 3/8"16NC x 4 3/4" | |
| 115 | 4711600 | A/R | Flatwasher 3/8" Narrow | |
| 116 | 0641624 | 2 | Bolt 3/8"-16NC x 3" | |
| 117 | 0259420 | 1 | Clamp Assembly | |
| | 3340859 | 2 | Pad, Rubber | |
| 118 | 3340859 | 2 | Pad, Rubber | |

FIGURE 3-3. TOWER BOOM ASSEMBLY (CONTINUED)

| ITEM # | PART NUMBER | QTY. | DESCRIPTION | REV. |
|--------|-------------|------|-------------|------|
| | | | | |

SECTION 3 BOOM

FIGURE 3-4. MAIN BOOM ASSEMBLIES

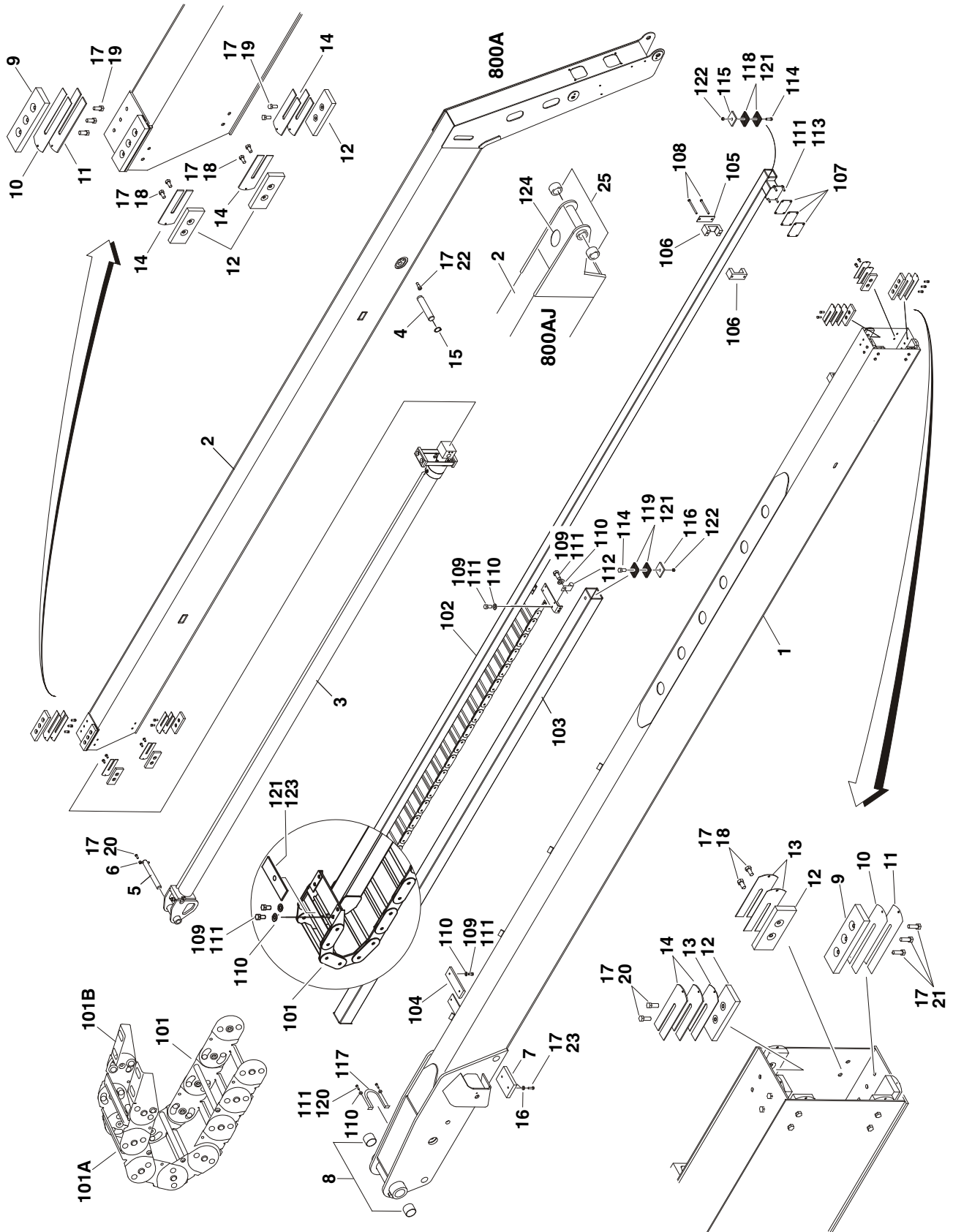


FIGURE 3-4. MAIN BOOM ASSEMBLIES

| ITEM # | PART NUMBER | QTY. | DESCRIPTION | REV. |
|--------|--------------|------|--|------|
| | | Ref. | MAIN BOOM ASSEMBLY OPTIONS: | |
| | 0801135 | Ref. | 800A | H |
| | 0801136 | Ref. | 800AJ | I |
| 1 | | 1 | Base Weldment Options: | |
| | 0801585 | | 800A | |
| | 0801591 | | 800AJ | |
| 2 | | 1 | Fly Weldment Options: | |
| | 0801138 | | 800A | |
| | 0801573 | | 800AJ | |
| 3 | | 1 | Telescope Cylinder Assembly Options: | |
| | 1683607 | | 800A | |
| | 1683672 | | 800AJ | |
| 4 | 3422457 | 1 | Pin | |
| 5 | 3422690 | 1 | Pin | |
| 6 | 3841143 | 1 | Keeper, Pin | |
| 7 | 0561295 | 1 | Block, Boom Rest | |
| 8 | 0962102 | 2 | Bushing, Garmax | |
| 9 | 3340871 | 4 | Pad, Wear | |
| 10 | 4070863 | 4 | Shim 1/8" | |
| 11 | 4070864 | 4 | Shim .05 | |
| 12 | 3340881 | 12 | Pad, Wear | |
| 13 | 4070897 | 10 | Shim .05 | |
| 14 | 4070898 | 12 | Shim 1/8" | |
| 15 | 3760133 | 2 | Ring, Retaining | |
| 16 | 4711600 | 2 | Flatwasher 3/8" Narrow | |
| 17 | 0100011 | A/R | Compound, Locking | |
| 18 | 0641606 | 16 | Bolt 3/8"-16NC x 3/4" | |
| 19 | 0641607 | 10 | Bolt 3/8"-16NC x 7/8" | |
| 20 | 0641608 | 5 | Bolt 3/8"-16NC x 1" | |
| 21 | 0641609 | 6 | Bolt 3/8"-16NC x 1 1/8" | |
| 22 | 3900259 | 4 | Bolt, Shoulder | |
| 23 | 0641612 | 2 | Bolt 3/8"-16NC x 1 1/2" | |
| 24 | Not Used | | | |
| 25 | | A/R | Bushing, Garmax | |
| | Not Required | 0 | 800A | |
| | 0961951 | 2 | 800AJ | |
| | | Ref. | POWER TRACK INSTALLATION OPTIONS: | |
| | 0258076 | Ref. | 800A | J |
| | 0258077 | Ref. | 800AJ | H |
| 101 | | 1 | Carrier Options: | |
| | 1001099840 | 1 | 800A | |
| | 1001099837 | 1 | 800AJ | |
| 101A | 70002013 | A/R | Carrier Repair Section (2ft length - Includes 1 Pin Assembly for each end) | |
| 101B | 70002014 | 1 | Mounting Foot Kit (Includes Both Pair of Feet) | |

SECTION 3 BOOM

FIGURE 3-4. MAIN BOOM ASSEMBLIES (CONTINUED)

| ITEM # | PART NUMBER | QTY. | DESCRIPTION | REV. |
|--------|--------------|----------|-------------------------------------|------|
| 102 | | 1 | Push Tube Weldment | |
| | 4845701 | | 800A | |
| | 4845729 | | 800AJ | |
| 103 | | 1 | Support | |
| | 4845702 | | 800A | |
| | 4845730 | | 800AJ | |
| 104 | 3340840 | 1 | Pad | |
| 105 | 3538758 | 1 | Plate, Backing | |
| 106 | 3340764 | 2 | Pad | |
| 107 | 4070969 | 3 | Shim | |
| 108 | 0641640 | 2 | Bolt 3/8"-16NC x 5" | |
| 109 | 0641606 | A/R | Bolt 3/8"-16NC x 3/4" | |
| 110 | 4711600 | 22 | Flatwasher 3/8" Narrow | |
| 111 | 0100011 | A/R | Compound, Locking | |
| 112 | 1320263 | 1 | Clamp, Loop | |
| 113 | 0641612 | 4 | Bolt Options: | |
| | 0641612 | | 800A (Bolt 3/8"-16NC x 1 1/2") | |
| | 0641607 | | 800AJ (Bolt 3/8"-16NC x 7/8") | |
| 114 | 0641624 | 2 | Bolt 3/8"-16NC x 3" | |
| 115 | 1320289 | 1 | Clamp, Hose | |
| 116 | 1320288 | 1 | Clamp, Hose | |
| 117 | 3841406 | 1 | Loop, Hose | |
| 118 | 3340943 | 2 | Pad, Rubber | |
| 119 | 3340941 | 2 | Pad, Rubber | |
| 120 | 3900283 | 2 | Screw, Button Head 3/8"-16NC x 3/4" | |
| 121 | 0100081 | A/R | Adhesive | |
| 122 | 3311605 | 2 | Locknut 3/8"-16NC | |
| 123 | 4071052 | 2 | Shim | |
| 124 | | A/R | Flex-Trim | |
| | Not Required | 0 | 800A | |
| | 4060805 | 8in/20cm | 800AJ | |

FIGURE 3-4. MAIN BOOM ASSEMBLIES (CONTINUED)

| ITEM # | PART NUMBER | QTY. | DESCRIPTION | REV. |
|--------|-------------|------|-------------|------|
| | | | | |

FIGURE 3-5. ROTATOR ASSEMBLY

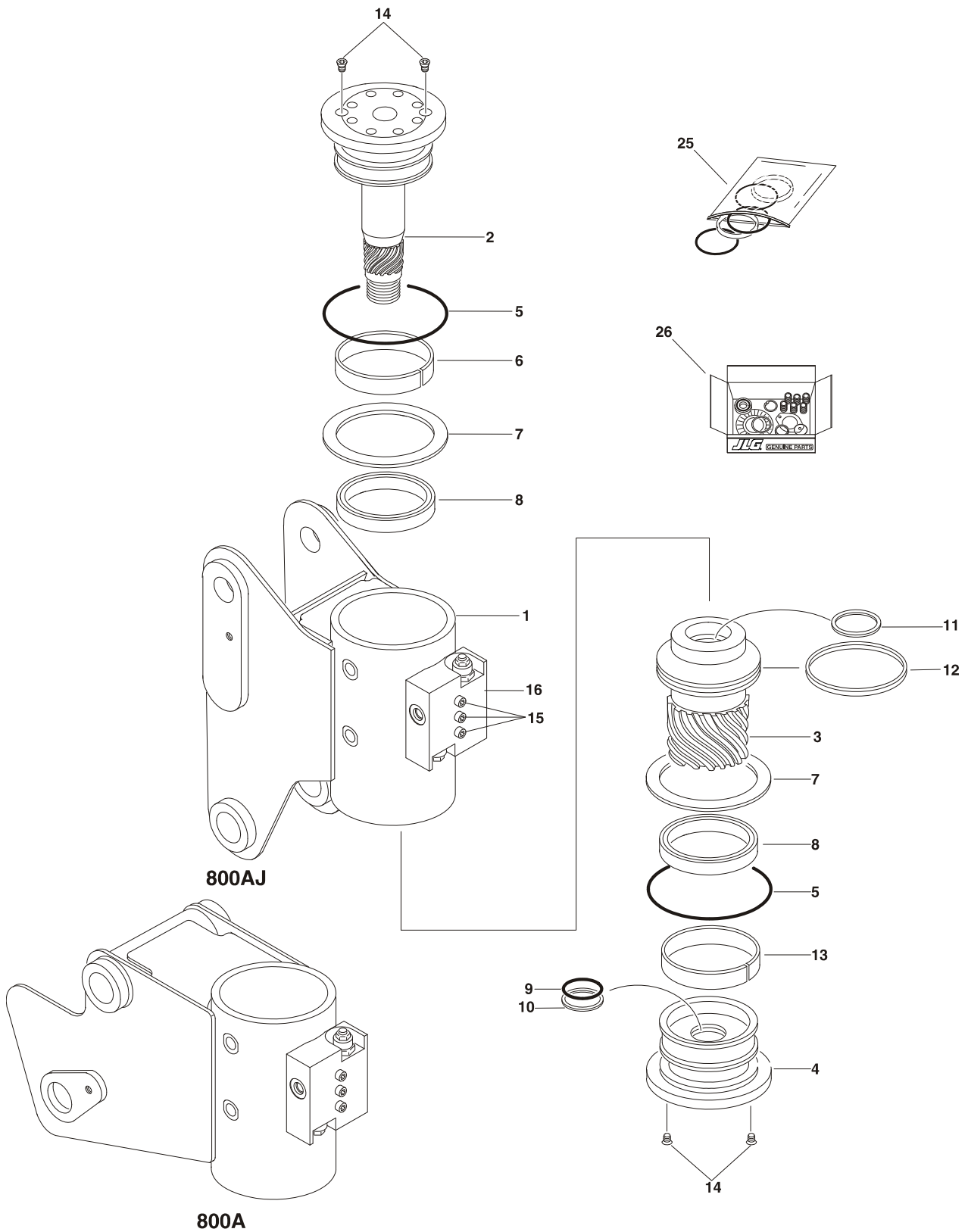


FIGURE 3-5. ROTATOR ASSEMBLY

| ITEM # | PART NUMBER | QTY. | DESCRIPTION | REV. |
|----------|---------------|------|---|------|
| | | Ref. | ROTATOR ASSEMBLIES | |
| | 0060069 | Ref. | 800A | A |
| | 0060066 | Ref. | 800AJ | C |
| 1 | Not Serviced | 1 | Housing/Ring Gear Assembly | |
| 2 | 7017162 | 1 | Weldment, Shaft | |
| 3 | 7017163 | 1 | Piston/Sleeve Assembly | |
| 4 | 7017164 | 1 | Cap, End | |
| 5 | Use Item 25 | 2 | O-Ring | |
| 6 | Use Item 26 | 1 | Bearing, Shaft | |
| 7 | Use Item 26 | 2 | Washer, Thrust | |
| 8 | Use Item 25 | 2 | Packing, Bearing | |
| 9 | Use Item 25 | 1 | Seal, Cap | |
| 10 | Use Item 25 | 1 | Ring, Back-Up Cap | |
| 11 | Use Item 25 | 1 | Seal, Rod | |
| 12 | Use Item 25 | 1 | Seal, Piston | |
| 13 | Use Item 26 | 1 | Bearing, Cap | |
| 14 | 70001697 | 6 | Capscrew 1/4"-20NC x 3/8" (Grade 8) | |
| 15 | Not Available | 3 | Bolts 1/4"-20NC (Grade 8) | |
| 16 | 7017183 | 1 | Valve Assembly | |
| | 7017193 | 2 | Cartridge, Valve | |
| | Not Available | 2 | Seal Kit - 7017193 Valve | |
| | Not Available | 1 | Cartridge, Valve (Not Shown - Located on Side of Block) | |
| | Not Available | 1 | Seal Kit - Valve Located on Side of Block | |
| 17 to 24 | Not Used | | | |
| 25 | | 1 | Seal Kit Options (Includes Items 5, 8- 12): | |
| | 7017158 | | Standard | |
| | 70000342 | | Low Temperature | |
| 26 | 7017159 | 1 | Bearing Kit (Includes Items 6, 7 & 13) | |

SECTION 3 BOOM

FIGURE 3-6. VALVE AND LIMIT SWITCH INSTALLATIONS (BOOM MOUNTED)

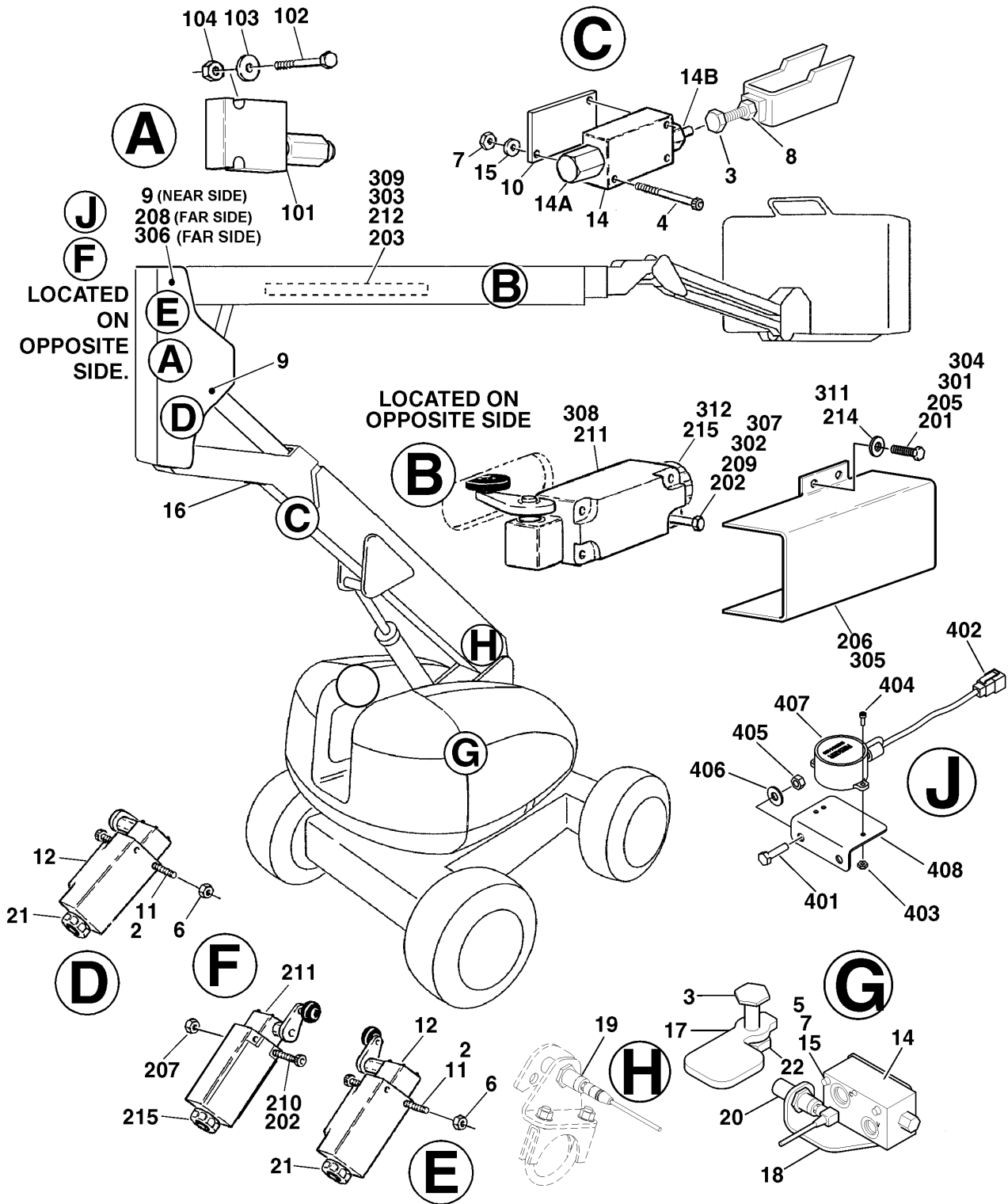


FIGURE 3-6. VALVE AND LIMIT SWITCH INSTALLATIONS (BOOM MOUNTED)

| ITEM # | PART NUMBER | QTY. | DESCRIPTION | REV. |
|--------|---------------|----------|---|------|
| | 0258217 | Ref. | BOOM VALVES AND LIMIT SWITCHES INSTALLATION | O |
| 1 | 0100011 | A/R | Compound, Locking | |
| 2 | 0100035 | A/R | Compound, Locking | |
| 3 | 0630427 | 2 | Bolt, Special | |
| 4 | 3931436 | 3 | Bolt 1/4"-20NC x 2 1/4" | |
| 5 | 3931464 | 3 | Bolt 1/4"-20NC x 4" | |
| 6 | 3310805 | 4 | Locknut #8-32NC | |
| 7 | 3311405 | 6 | Locknut 1/4"-20NC | |
| 8 | 3311801 | 1 | Nut 1/2"-13NC | |
| 9 | 3520035 | 2 | Plug, Cap | |
| 10 | 3570928 | 2 | Plate, Spacer | |
| 11 | 3930824 | 4 | Capscrew, Socket Head #8-32NC x 1 1/2' | |
| 12 | 4360578 | 2 | Switch, Limit | |
| 13 | Not Used | | | |
| 14 | 4641435 | 2 | Valve, Switch | |
| 14A | 7011342 | 2 | Valve, Check (1 per Assembly) | |
| | 7011333 | 2 | Seal Kit - Check Valve (1 per Assembly) | |
| 14B | Not Available | 2 | Valve, Plunger (1 per Assembly) | |
| | Not Available | 2 | Seal Kit (1 per Assembly) | |
| 15 | 4751400 | 6 | Flatwasher 1/4" | |
| 16 | 4060805 | 7in/25cm | Trim, Edge | |
| 17 | 3572606 | 1 | Plate, Lower Boom Proximity Switch Target | |
| 18 | 3572607 | 1 | Plate, Lower Boom Proximity Switch Mount | |
| 19 | 4360498 | 1 | Switch Proximity | |
| 20 | 4360499 | 1 | Switch Proximity | |
| 21 | 4460968 | 2 | Connector, Strain Relief | |
| 22 | 88521008 | 2 | Locknut 1/2"-13NC | |
| | 0274640 | Ref. | VALVES INSTALLATION | D |
| 101 | 4640929 | 1 | Valve Assembly (Relief) | |
| | 7012970 | 1 | Cartridge | |
| | 7012953 | 1 | Seal Kit - 7012970 Cartridge | |
| 102 | 0641416 | 2 | Bolt 1/4"-20NC x 2" | |
| 103 | 4711400 | 4 | Flatwasher 1/4" Narrow | |
| 104 | 3311405 | 2 | Locknut 1/4"-20NC | |
| | 0258338 | Ref. | LIMIT SWITCHES INSTALLATION - 800A DUAL CAPACITY | H |
| 201 | 0100011 | A/R | Compound, Locking | |
| 202 | 0100035 | A/R | Compound, Locking | |
| 203 | 1001106482 | 1 | Bar, Fiberglass | |
| 204 | Not Used | | | |
| 205 | 0641403 | 4 | Bolt 1/4"-20NC x 3/8" | |
| 206 | 3380535 | 1 | Cover | |
| 207 | 3310801 | 2 | Locknut #8-32NC | |
| 208 | 3520035 | 1 | Plug, Cap | |
| 209 | 3930816 | 2 | Capscrew, Socket Head #8-32NC x 1' | |

SECTION 3 BOOM

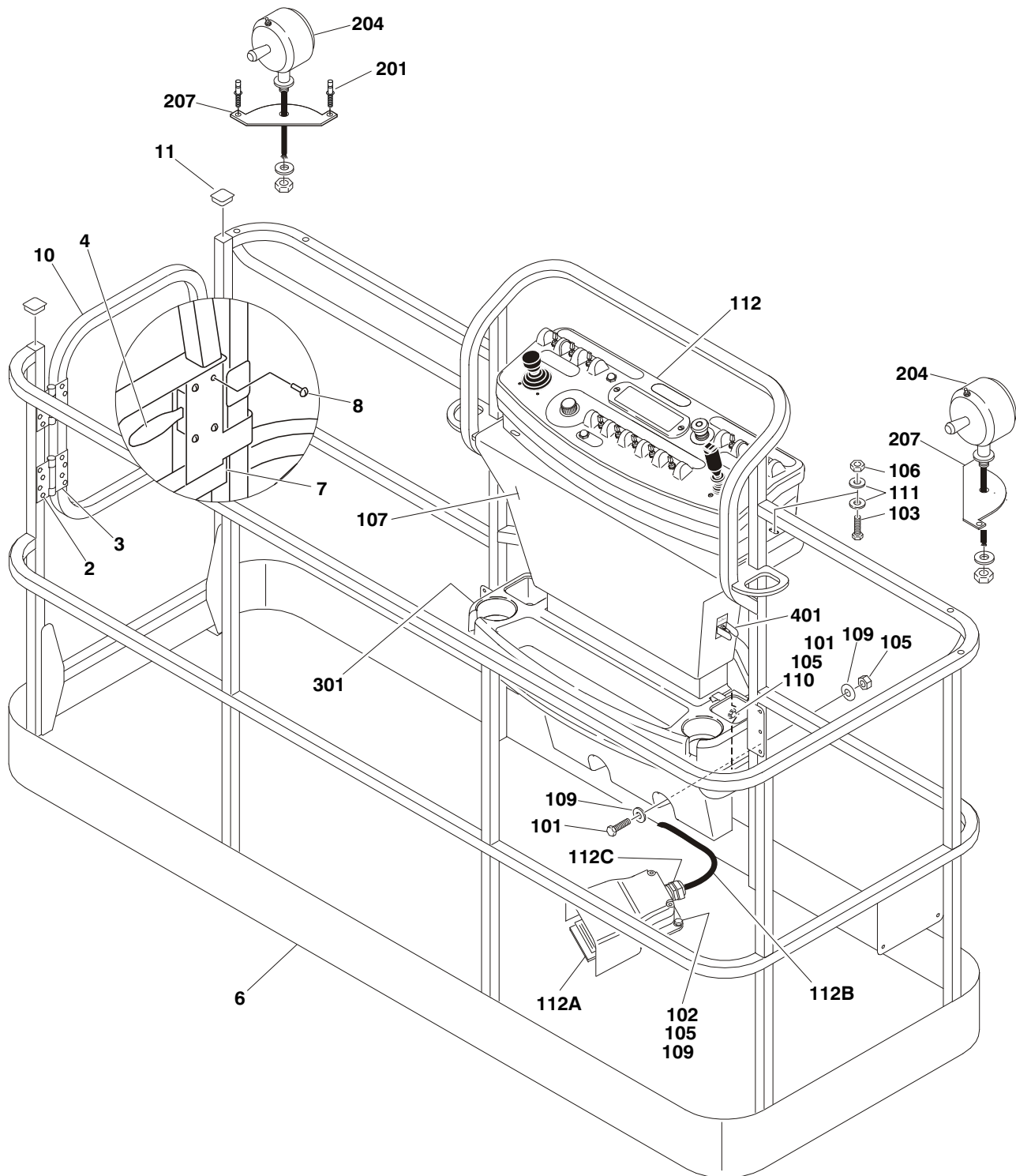
FIGURE 3-6. VALVE AND LIMIT SWITCH INSTALLATIONS (BOOM MOUNTED) (CONTINUED)

| ITEM # | PART NUMBER | QTY. | DESCRIPTION | REV. |
|--------|----------------|------|--|------|
| 210 | 3930824 | 2 | Capscrew, Socket Head #8-32NC x 1 1/2' | |
| 211 | 4360578 | 2 | Switch, Limit | |
| 212 | 4420060 | 2 | Tape, Double Sided | |
| 213 | Not Used | | | |
| 214 | 4751400 | 4 | Flatwasher 1/4" | |
| 215 | 4460968 | 2 | Connector, Strain Relief | |
| | | Ref. | TRANSPORT POSITION SWITCH INSTALLATIONS (CE SPEC) | |
| | 0258384 | Ref. | 800A | F |
| | 0258567 | Ref. | 800AJ | F |
| 301 | 0100011 | A/R | Compound, Locking | |
| 302 | 0100035 | A/R | Compound, Locking | |
| 303 | | 1 | Bar, Fiberglass Options: | |
| | Use 1001106477 | | 800A S/N 69000 to S/N 138518 (was p/n 0362772) | |
| | 1001106477 | | 800A S/N 138518 to Present | |
| | Use 1001106481 | | 800AJ S/N 69000 to S/N 138518 (was p/n 0362609) | |
| | 1001106481 | | 800AJ S/N 138518 to Present | |
| 304 | 0641403 | 4 | Bolt 1/4"-20NC x 3/8" | |
| 305 | | 1 | Cover, Switch Options: | |
| | 1670824 | | S/N 69000 to S/N 78805 | |
| | 3380535 | | S/N 78805 to Present | |
| 306 | 3520035 | 1 | Plug, Cap | |
| 307 | 3930816 | 2 | Capscrew, Socket Head #8-32NC x 1" | |
| 308 | | 1 | Switch, Limit Options: | |
| | 4360322 | 1 | S/N 69000 to S/N 78805 | |
| | 4360549 | 1 | S/N 78805 to S/N 80872 | |
| | 4360578 | 1 | S/N 80872 to Present | |
| 309 | 4420060 | A/R | Tape, Double Sided Foam | |
| 310 | Not Used | | | |
| 311 | 4751400 | 1 | Flatwasher 1/4" | |
| 312 | 4460968 | 1 | Connector, Strain Relief (S/N 78805 to Present) | |
| | 0275733 | Ref. | TILT SENSOR INSTALLATION | A |
| 401 | 0641408 | 2 | Bolt 1/4"-20NC x 1" | |
| 402 | 0100048 | A/R | Grease, Dielectric | |
| 403 | 3310605 | 3 | Locknut #6-32 NC | |
| 404 | 3930606 | 3 | Screw #6-32 NC | |
| 405 | 3311405 | 2 | Locknut 1/4"-20NC | |
| 406 | 4751400 | 2 | Flatwasher 1/4" | |
| 407 | 1001094400 | 1 | Sensor, Dual Axis | |
| 408 | 1001096736 | 1 | Bracket, Tilt Sensor | |

SECTION 4 PLATFORM

SECTION 4 PLATFORM

FIGURE 4-1. PLATFORM COMPONENTS INSTALLATION



SECTION 4 PLATFORM

FIGURE 4-1. PLATFORM COMPONENTS INSTALLATION

| ITEM # | PART NUMBER | QTY. | DESCRIPTION | REV. |
|--------|---------------|------|---|------|
| | | Ref. | PLATFORM ASSEMBLIES: | |
| | 3510822 | Ref. | 8ft (2.44m) with No Mesh | H |
| | 3510833 | Ref. | 6ft (1.83m) with No Mesh | G |
| | 3510830 | Ref. | 4ft (1.22m) with No Mesh | K |
| | | Ref. | Note: For Platforms with Mesh to Top Rail, Platforms & Mesh must be ordered separately. See Section 10 for Mesh Installations. | |
| | | Ref. | Note: Replacement Decals Must be purchased separately - See Section 8. | |
| 1 | Not Used | | | |
| 2 | 2080040 | 16 | Fastener, Huck | |
| 3 | 2600281 | 2 | Hinge, Self-Closing | |
| 4 | 2940074 | 1 | Latch | |
| 5 | Not Used | | | |
| 6 | Not Available | 1 | Platform Weldment (Purchase Platform Assembly) | |
| 7 | 3520072 | 1 | Cap-Plug | |
| 8 | 3820020 | 4 | Rivet, Pop | |
| 9 | Not Used | | | |
| 10 | 4846452 | 1 | Gate Weldment | |
| 11 | 3520198 | 2 | Cap-Plug | |
| | | Ref. | CONSOLE BOX INSTALLATIONS | |
| | 1001114446 | Ref. | USA Built Machines S/N 100140000 to S/N 03001433928 & China Built Machines S/N B300000100 to S/N B300000202 | C |
| | 1001117427 | Ref. | USA Built Machines S/N 03001433928 to Present & China Built Machines S/N B300000202 to Present | A |
| 101 | 0641406 | 4 | Bolt 1/4"-20NC x 3/4" | |
| 102 | 0641408 | 3 | Bolt 1/4"-20NC x 1" | |
| 103 | 0641610 | 4 | Bolt 3/8"-16NC x 1 1/4" | |
| 104 | Not Used | | | |
| 105 | 3311405 | 7 | Locknut 1/4"-20NC | |
| 106 | 3311605 | 4 | Locknut 3/8"-16NC | |
| 107 | 3380434 | 1 | Panel, Decal Mount | |
| 108 | Not Used | | | |
| 109 | 4740362 | 7 | Washer, Fender 1/4" | |
| 110 | 4751400 | 4 | Flatwasher 1/4" (Wide) | |
| 111 | 4751600 | 8 | Flatwasher 3/8" (Wide) | |
| 112 | | 1 | Platform Console Box Assembly (See Figure 4-3 for Break-down) | |
| | 1001114448 | | USA Built Machines S/N 100140000 to S/N 03001433928 & China Built Machines S/N B300000100 to S/N B300000202 | |
| | 1001117428 | | USA Built Machines S/N 03001433928 to Present & China Built Machines S/N B300000202 to Present | |
| 112A | | 1 | Footswitch Options: | |
| | 4360031 | | USA Built Machines S/N 100140000 to S/N 03001433928 & China Built Machines S/N B300000100 to S/N B300000202 | |
| | 7000625 | 2 | Block, Contact | |

SECTION 4 PLATFORM

FIGURE 4-1. PLATFORM COMPONENTS INSTALLATION (CONTINUED)

| ITEM # | PART NUMBER | QTY. | DESCRIPTION | REV. |
|------------|-------------------------|-----------|--|------|
| 112A | Continued 1001117172 | 1 | Footswitch Options: USA Built Machines S/N 03001433928 to Present & China Built Machines S/N B300000202 to Present | |
| | 70002902 | 1 | Switch, 20Amp | |
| | 70002903 | 1 | Gasket | |
| | 70002904 | 4 | Replacement Kit, Bolt | |
| | 70002905 | 1 | Cover, Aluminum | |
| 112B | 1060918 | 7ft/2.14m | Cable, Electrical - 18/3 | |
| 112C | 4460071 | 1 | Connector, Strain Relief | |
| | | Ref. | WORKLIGHTS INSTALLATIONS (OPTIONAL) | |
| | 0273484 | Ref. | 800A | D |
| | 0273485 | Ref. | 800AJ | D |
| 201 | 2080040 | 4 | Blind Fastener, Huck | |
| 202 to 203 | Not Used | | | |
| 204 | 2920140 | 2 | Worklight | |
| | 7016399 | 2 | Bulb, Replacement (1 Per Worklight) | |
| 205 to 206 | Not Used | | | |
| 207 | 3536089 | 2 | Plate, Mounting | |
| 208 to 212 | Not Used | | | |
| 213 | 4460426 | | Connector, Strain Relief (Not Shown - Located at Console Box) | |
| 214 to 216 | Not Used | | | |
| 217 | 2820035 | 9ft | Loom, Vinyl (Not Shown) | |
| 218 | 4240099 | 10 | Tie-Strap (Not Shown) | |
| | | Ref. | TRAY INSTALLATIONS (OPTIONAL) | |
| 301 | 1580012 | 1 | Tray, Storage (Center) | |
| 302 | 1580013 | 1 | Tray, Storage (Rail Mounted - Not Shown) | |
| | | Ref. | GENERATOR INSTALLATION (OPTIONAL) | |
| | 1001115404 | Ref. | 110V with Caterpillar Engine | A |
| | 1001115414 | Ref. | 220V with Caterpillar Engine | A |
| | 1001115405 | Ref. | 110V with Deutz Engine | A |
| | 1001115409 | Ref. | 220V with Deutz Engine | A |
| | 0275039 | Ref. | 110V with GM Engine | E |
| 401 | 4360336 | 1 | Switch, Toggle | |
| | 4740397 | 1 | Bushing | |
| | 4060802 | 1 | Guard, Switch | |
| | 3251102 | 1 | Decal - Generator ON/OFF | |
| | 2820031 | 1 | Insulator, Heat Shrink | |

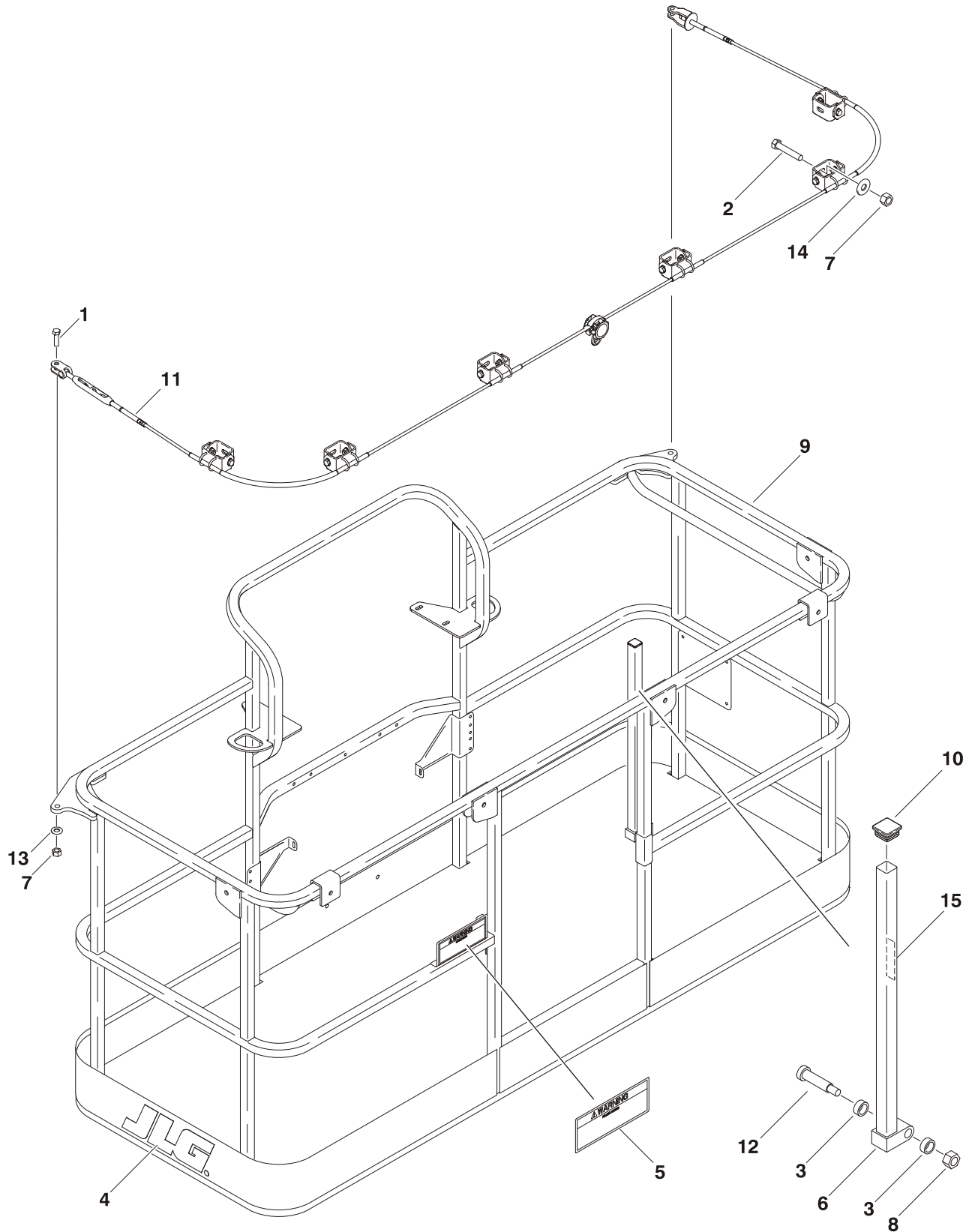
SECTION 4 PLATFORM

FIGURE 4-1. PLATFORM COMPONENTS INSTALLATION (CONTINUED)

| ITEM # | PART NUMBER | QTY. | DESCRIPTION | REV. |
|--------|-------------|------|-------------|------|
| | | | | |

SECTION 4 PLATFORM

FIGURE 4-2. PLATFORM COMPONENTS INSTALLATION (FALL ARREST PLATFORM)



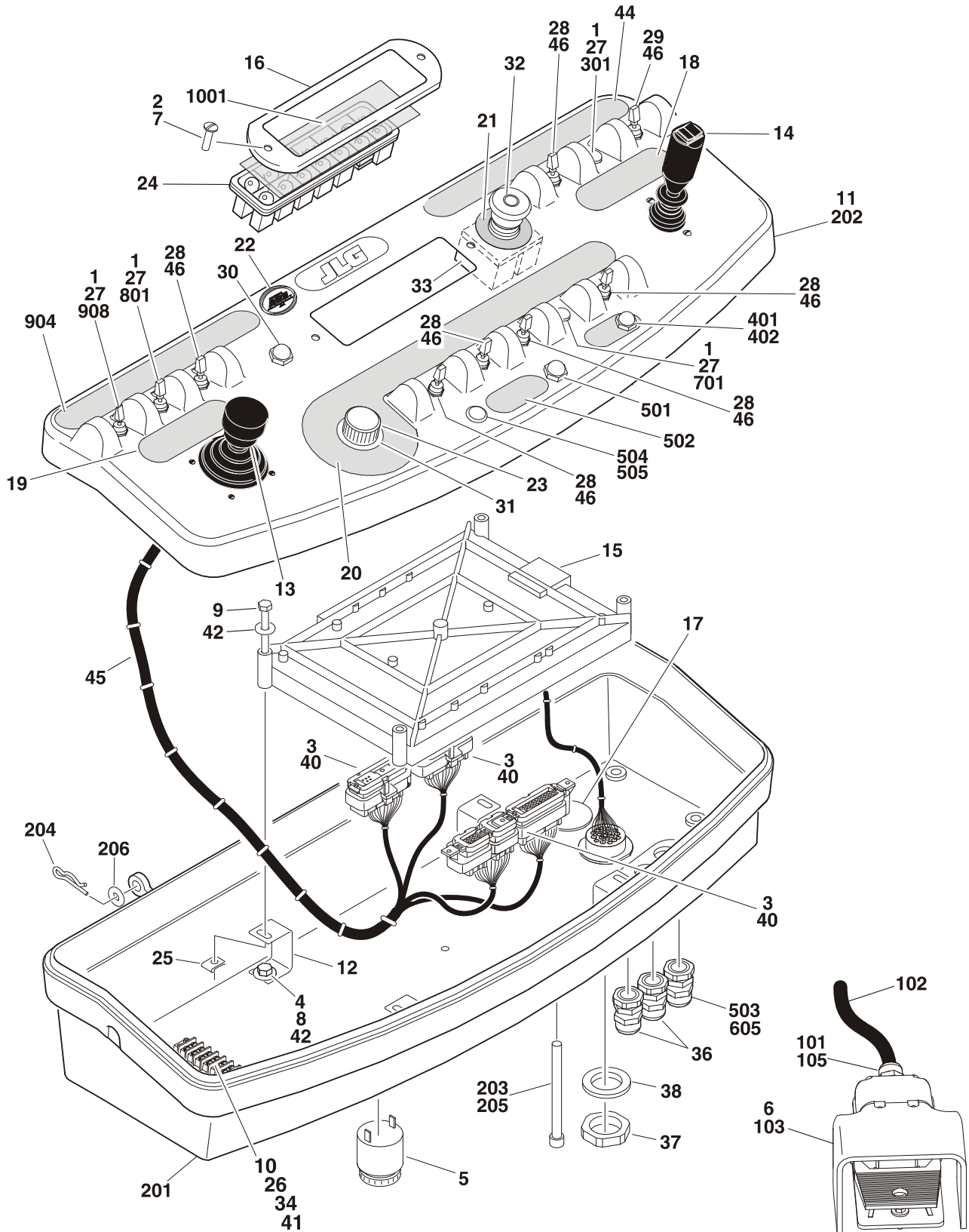
SECTION 4 PLATFORM

FIGURE 4-2. PLATFORM COMPONENTS INSTALLATION (FALL ARREST PLATFORM)

| ITEM # | PART NUMBER | QTY. | DESCRIPTION | REV. |
|--------|---------------|------|---|------|
| | | Ref. | PLATFORM ASSEMBLY (FALL ARREST) | |
| | 3510884 | Ref. | 6ft Platform | E |
| | 3510868 | Ref. | 8ft Platform | D |
| | | Ref. | Note: Replacement Decals Must be purchased separately - See Section 8. | |
| 1 | 0681814 | 2 | Bolt 1/2"-13NC x 1 3/4" | |
| 2 | 0681822 | A/R | Bolt 1/2"-13NC x 2 3/4" | |
| 3 | 0962270 | 2 | Bearing, Oilite | |
| 4 | 1702773 | 1 | Decal - JLG | |
| 5 | 1705014 | 1 | Decal - Safety | |
| 6 | 2410014 | 1 | Gate Weldment | |
| 7 | 3271805 | A/R | Locknut 1/2"-13NC | |
| 8 | 3311605 | 1 | Locknut 3/8"-16NC | |
| 9 | Not Available | 1 | Platform Weldment (Purchase Platform Assembly) | |
| 10 | 3520072 | 1 | Cap-Plug | |
| 11 | | 1 | Cable, Fall Arrest Options: | |
| | 1060919 | | 6ft Platform | |
| | 3890040 | | 8ft Platform | |
| 12 | 3900054 | 1 | Bolt 1/2"-13NC x 1 3/4" | |
| 13 | 4711800 | 2 | Flatwasher 1/2" (Narrow) | |
| 14 | 4751800 | A/R | Flatwasher 1/2" (Wide) | |
| 15 | 1706385 | 1 | Decal - Drop Bar | |

SECTION 4 PLATFORM

FIGURE 4-3. PLATFORM CONSOLE ASSEMBLY



SECTION 4 PLATFORM

FIGURE 4-3. PLATFORM CONSOLE ASSEMBLY

| ITEM # | PART NUMBER | QTY. | DESCRIPTION | REV. |
|--------|----------------|------|---|------|
| | | Ref. | CONSOLE BOX & FOOTSWITCH ASSEMBLIES | |
| | 1001114448 | Ref. | USA Built Machines S/N 100140000 to S/N 03001433928 & China Built Machines S/N B300000100 to S/N B300000202 | C |
| | 1001117428 | Ref. | USA Built Machines S/N 03001433928 to Present & China Built Machines S/N B300000202 to Present | B |
| 1 | 0100009 | A/R | Sealant | |
| 2 | 0100035 | A/R | Compound, Locking | |
| 3 | 0100048 | A/R | Grease, Dielectric | |
| 4 | 0100081 | A/R | Adhesive | |
| 5 | 0140011 | 1 | Alarm | |
| 6 | | 1 | Footswitch Assembly Options (See Items 101-107 for Break-down): | |
| | 0272970 | | USA Built Machines S/N 100140000 to S/N 03001433928 & China Built Machines S/N B300000100 to S/N B300000202 | |
| | 1001117174 | | USA Built Machines S/N 03001433928 to Present & China Built Machines S/N B300000202 to Present | |
| 7 | 0630464 | 2 | Screw, Button Head #10-24NC x 1/2" | |
| 8 | 0641404 | 4 | Bolt 1/4"-20NC x 1/2" | |
| 9 | 0641414 | 4 | Bolt 1/4"-20NC x 1 3/4" | |
| 10 | 0721006 | 2 | Bolt #10-24NC x 3/4" | |
| 11 | 0861537 | 1 | Box, Console (See Items 201-206 for Breakdown) | |
| 12 | 0902751 | 4 | Bracket, Card Support | |
| 13 | Use 1001129555 | 1 | Controller Assembly (Lift & Swing) (See Figure 4-4 for Breakdown) (was p/n 1600317 & p/n 1001118417) | |
| 14 | | 1 | Controller Assembly (Drive & Steer) Options (See Figure 4-5 for Breakdown): | |
| | Use 1001118416 | | Controller Assembly (USA Built Machines S/N 0300140000 to S/N 0300146307 & China Built Machines S/N B300000100 to S/N B300000276) (was p/n 1600318) | |
| | 1001118416 | | Controller Assembly (USA Built Machines S/N 0300146307 to Present & China Built Machines S/N B300000276 to Present) | |
| 15 | 1001106355 | 1 | Controller, Module (Re-calibration Required when Replaced) | |
| 16 | 1670829 | 1 | Bezel | |
| 17 | 1001110434 | 1 | Plug | |
| 18 | 1702565 | 1 | Decal (Drive and Steer) | |
| 19 | 1702566 | 1 | Decal (Lift and Swing) | |
| 20 | 1702567 | 1 | Decal (Function Speed) | |
| 21 | 1704260 | 1 | Decal - EMS | |
| 22 | 1705132 | 1 | Decal - ADE | |
| 23 | 2560136 | 1 | Handle, Knob | |
| 24 | 2760105 | 1 | Housing, Display Light | |
| 25 | 3300353 | 4 | Nut, Tinnerman | |
| 26 | 3311005 | 2 | Locknut #10-24NC | |
| 27 | 3520054 | A/R | Plug, Hole | |
| 28 | 4360328 | 6 | Switch, Toggle | |
| 29 | 4360330 | 1 | Switch, Toggle | |
| 30 | 4360387 | 1 | Switch, Pushbutton | |
| 31 | 4360407 | 1 | Controller, Speed | |

SECTION 4 PLATFORM

FIGURE 4-3. PLATFORM CONSOLE ASSEMBLY (CONTINUED)

| ITEM # | PART NUMBER | QTY. | DESCRIPTION | REV. |
|--------|-------------|----------|--|------|
| 32 | 4360475 | 1 | Switch, Emergency Stop | |
| | 7020175 | 1 | Cap, Red | |
| | 7020176 | 1 | Contact Block | |
| 33 | 4360476 | 1 | Block, Contact | |
| 34 | 4460007 | 1 | Bar, Buss | |
| 35 | 4460234 | 3 | Mount, Tie-Strap (Not Shown) | |
| 36 | 4460428 | 2 | Connector, Strain Relief | |
| 37 | 4460470 | 1 | Nut, Terminal | |
| 38 | 4460471 | 1 | Lockwasher, Terminal | |
| 39 | 4460708 | 2 | Terminal, 15 Pin (See Section 7 for Location) | |
| 40 | 4460905 | 5 | Plug, Seal (See Section 7 for Location) | |
| 41 | 4751000 | 2 | Flatwasher #10 | |
| 42 | 4751400 | 8 | Flatwasher 1/4" | |
| 43 | 4922666 | 1 | Harness, Analyzer Cable (See Section 7 for Location) | |
| 44 | 1001107677 | 1 | Decal (Stop) | |
| 45 | 1001107753 | 1 | Harness, Platform Box | |
| 46 | 3790012 | 7 | O-Ring | |
| | 1001119563 | 1 | ----- Decal Kit (Includes Items 18-22, 44, 904 & 1001) | |
| | | Ref. | FOOT SWITCH ASSEMBLIES | |
| | 0272970 | Ref. | USA Built Machines S/N 100140000 to S/N 03001433928 & China Built Machines S/N B300000100 to S/N B300000202 | A |
| | 1001117174 | Ref. | USA Built Machines S/N 03001433928 to Present & China Built Machines S/N B300000202 to Present | B |
| 101 | 0100020 | A/R | Pipe Sealant | |
| 102 | 1060918 | 7ft/2.1m | Cable, 18/3 | |
| 103 | | 1 | Footswitch Options: | |
| | 4360031 | | USA Built Machines S/N 100140000 to S/N 03001433928 & China Built Machines S/N B300000100 to S/N B300000202 | |
| | 7000625 | 2 | Block, Contact | |
| | 1001117172 | | USA Built Machines S/N 03001433928 to Present & China Built Machines S/N B300000202 to Present | |
| | 70002902 | 1 | Switch, 20Amp | |
| | 70002903 | 1 | Gasket | |
| | 70002904 | 4 | Replacement Kit, Bolt | |
| | 70002905 | 1 | Cover, Aluminum | |
| 104 | Not Used | | | |
| 105 | 4460071 | 1 | Connector, Strain Relief | |
| 106 | 4460226 | 2 | Socket, Female (Not Shown - Used with Footswitch) (See Section 7 for Location) | |
| 107 | 4460464 | 1 | Terminal, Deutsch (Not Shown - Used with Footswitch) (See Section 7 for Location) | |

SECTION 4 PLATFORM

FIGURE 4-3. PLATFORM CONSOLE ASSEMBLY (CONTINUED)

| ITEM # | PART NUMBER | QTY. | DESCRIPTION | REV. |
|------------|---------------|------|---|------|
| | 0861537 | Ref. | CONSOLE BOX ASSEMBLY | G |
| 201 | Not Available | 1 | Console Bottom | |
| 202 | Not Available | 1 | Console Top | |
| 203 | 3311601 | 1 | Nut 3/8"-16NC | |
| 204 | 3470003 | 2 | Pin, Hair | |
| 205 | 0630568 | 1 | Screw 3/8"-16NC x 4 1/2" | |
| 206 | 4711500 | 2 | Flatwasher 5/16 | |
| | | Ref. | DUAL FUEL SWITCH INSTALLATION | |
| 301 | 4360336 | 1 | Switch, Toggle | |
| | 3790012 | 1 | O-Ring | |
| | 0271768 | Ref. | HEAD & TAIL LIGHTS INSTALLATION (OPTIONAL) | C |
| 401 | 4360522 | 1 | Switch, Pushbutton | |
| 402 | 1705170 | 1 | Decal - Lights | |
| | | Ref. | SOFT TOUCH SYSTEM INSTALLATION (OPTIONAL) | |
| | 0273824 | Ref. | 6Ft/1.8m Platforms | B |
| | 0272427 | Ref. | 8Ft/2.4m Platforms | D |
| | 1001108256 | Ref. | 6Ft/1.8m Platforms w/Fall Arrest | A |
| | 0273706 | Ref. | 8Ft/2.4m Platforms w/Fall Arrest | B |
| 501 | 4360387 | 1 | Switch, Pushbutton | |
| 502 | 1702938 | 1 | Decal - Soft Touch Override | |
| 503 | 4460425 | 1 | Connector, Strain Relief | |
| 504 | 2920028 | 1 | Lamp, Indicator | |
| 505 | 2920029 | 1 | Bulb | |
| | | Ref. | PLATFORM WORKLIGHT INSTALLATION (OPTIONAL) | |
| | 0273484 | Ref. | 800A | D |
| | 0273485 | Ref. | 800AJ | D |
| 601 to 604 | Not Used | 1 | | |
| 605 | 4460426 | 1 | Connector, Strain Relief | |
| | 0271340 | Ref. | JIB SWITCH INSTALLATION (OPTIONAL) | 1 |
| 701 | 4360328 | 1 | Switch, Toggle | |
| | 3790012 | 1 | O-Ring | |
| | 0258945 | Ref. | STEER SWITCH (4WS) INSTALLATION (OPTIONAL) | A |
| 801 | 4360331 | 1 | Switch, Toggle | |
| | 3790012 | 1 | O-Ring | |

SECTION 4 PLATFORM

FIGURE 4-3. PLATFORM CONSOLE ASSEMBLY (CONTINUED)

| ITEM # | PART NUMBER | QTY. | DESCRIPTION | REV. |
|------------|-------------|------|---|------|
| | 1001114446 | Ref. | CONSOLE BOX INSTALLATION | A |
| 901 to 903 | Not Used | | | |
| 904 | 1702676 | 1 | Decal - Horn | |
| 905 to 907 | Not Used | | | |
| 908 | 4360331 | 1 | Switch, Toggle (4WD) | |
| | 3790012 | 1 | O-Ring | |
| | | Ref. | LIGHT PANEL DECAL INSTALLATION | |
| | 1001108763 | | All Specs Except Australian & CE Specs | A |
| | 1001108764 | | Australian & CE Specs | A |
| 1001 | | 1 | Decal - Light Panel Display Options: | |
| | 1001107927 | | All Specs Except Australian & CE Specs | |
| | 1001107926 | | Australian & CE Specs | |

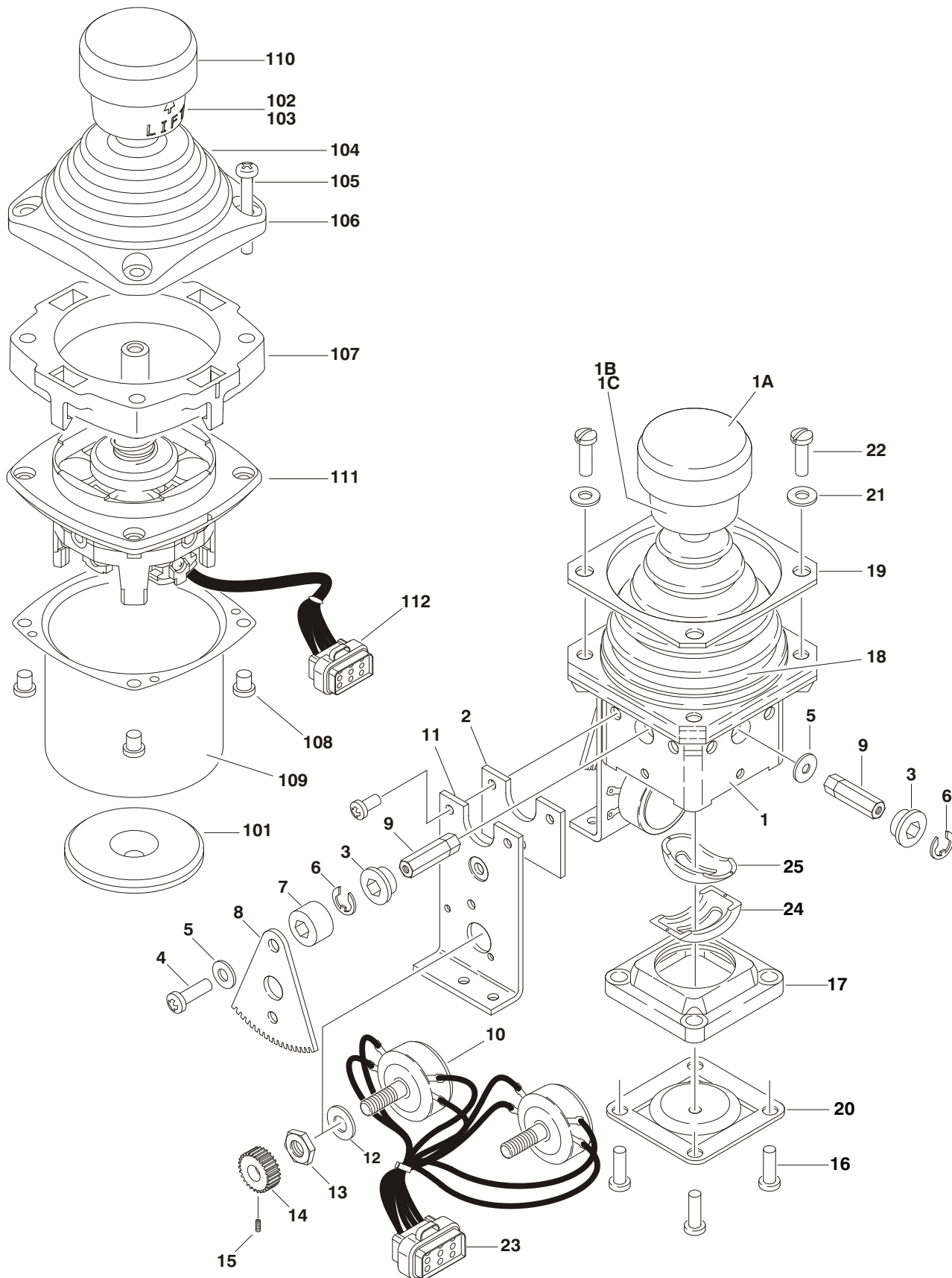
SECTION 4 PLATFORM

FIGURE 4-3. PLATFORM CONSOLE ASSEMBLY (CONTINUED)

| ITEM # | PART NUMBER | QTY. | DESCRIPTION | REV. |
|--------|-------------|------|-------------|------|
| | | | | |

SECTION 4 PLATFORM

FIGURE 4-4. CONTROLLER ASSEMBLY (SWING & LIFT)



SECTION 4 PLATFORM

FIGURE 4-4. CONTROLLER ASSEMBLY (SWING & LIFT)

| ITEM # | PART NUMBER | QTY. | DESCRIPTION | REV. |
|--------|----------------|------|---|------|
| | | Ref. | CONTROLLER ASSEMBLY | |
| | 1600317 | Ref. | Controller Assembly (OEM) (Original Equipment) (USA Built Machines S/N 0300140000 to S/N 0300146307 & China Built Machines S/N B300000100 to S/N B300000276) | C |
| 1 | 7019141 | 1 | Mechanical Assembly (Includes Base, Handle Stem & Items 1A, 1B, 1C & 18) | |
| 1A | 7019197 | 1 | Handle Cap & Rod | |
| 1B | 7003928 | 1 | Spring | |
| 1C | 7022808 | 1 | Cap, Lift | |
| 2 | 7019171 | 2 | Plate | |
| 3 | 7019111 | 4 | Bearing, Gear | |
| 4 | 7019143 | 2 | Screw | |
| 5 | 7019144 | 2 | Spacer, Cam | |
| 6 | 7019145 | 4 | E-Clip | |
| 7 | 7019174 | 2 | Spacer | |
| 8 | 7003977 | 2 | Gear, Drive | |
| 9 | | 2 | Shaft Options: | |
| | 7019147 | | Shaft, Short | |
| | 7019177 | | Shaft, Long | |
| 10 | 7022818 | 2 | Potentiometer | |
| 11 | 7019142 | 2 | Plate | |
| 12 | 7003992 | 2 | Washer | |
| 13 | 7003993 | 2 | Nut | |
| 14 | 7003976 | 2 | Gear, Slave | |
| 15 | 7019149 | 2 | Setscrew | |
| 16 | 7022816 | 4 | Screw | |
| 17 | 7019150 | 1 | Gate | |
| 18 | 7022814 | 1 | Boot | |
| 19 | 7022815 | 1 | Bezel | |
| 20 | Not Serviced | 1 | Center, Detent | |
| 21 | 7003953 | 4 | Washer | |
| 22 | 7022817 | 4 | Screw | |
| 23 | 7022819 | 1 | Plug, Male 8 Position (Natural) | |
| | 4460871 | 8 | Socket, Female | |
| 24 | 7019122 | 1 | Gimble, Outer | |
| 25 | 7019123 | 1 | Gimble, Inner | |
| | Use 1001129555 | Ref. | Controller Assembly: (Service Replacement - USA Built Machines S/N 0300140000 to S/N 0300146307 & China Built Machines S/N B300000100 to S/N B300000276) (Original Equipment - USA Built Machines S/N 0300146307 to Present & China Built Machines S/N B300000276 to Present) Note: Was p/n 1001118417 Assembly - Use p/n 1001129555 Kit as replacement. | C |
| 101 | 70002730 | 1 | Gasket | |
| 102 | 7003928 | 1 | Spring | |
| 103 | 7022808 | 1 | Cap, Lift | |
| 104 | 70002731 | 1 | Boot | |

SECTION 4 PLATFORM

FIGURE 4-4. CONTROLLER ASSEMBLY (SWING & LIFT) (CONTINUED)

| ITEM # | PART NUMBER | QTY. | DESCRIPTION | REV. |
|--------|---------------|------|---|------|
| 105 | 70002732 | 4 | Screw | |
| 106 | 7022815 | 1 | Bezel | |
| 107 | 70002733 | 1 | Adapter | |
| 108 | 70002734 | 4 | Screw | |
| 109 | 70002735 | 1 | Can, Enclosure | |
| 110 | 70002906 | 1 | Cap | |
| 111 | See Available | 1 | Mechanical Assembly | |
| 112 | 7022819 | 1 | Plug, Male 8 Position (Natural) (Not Shown) | |
| | 4460871 | 6 | Socket, Female | |

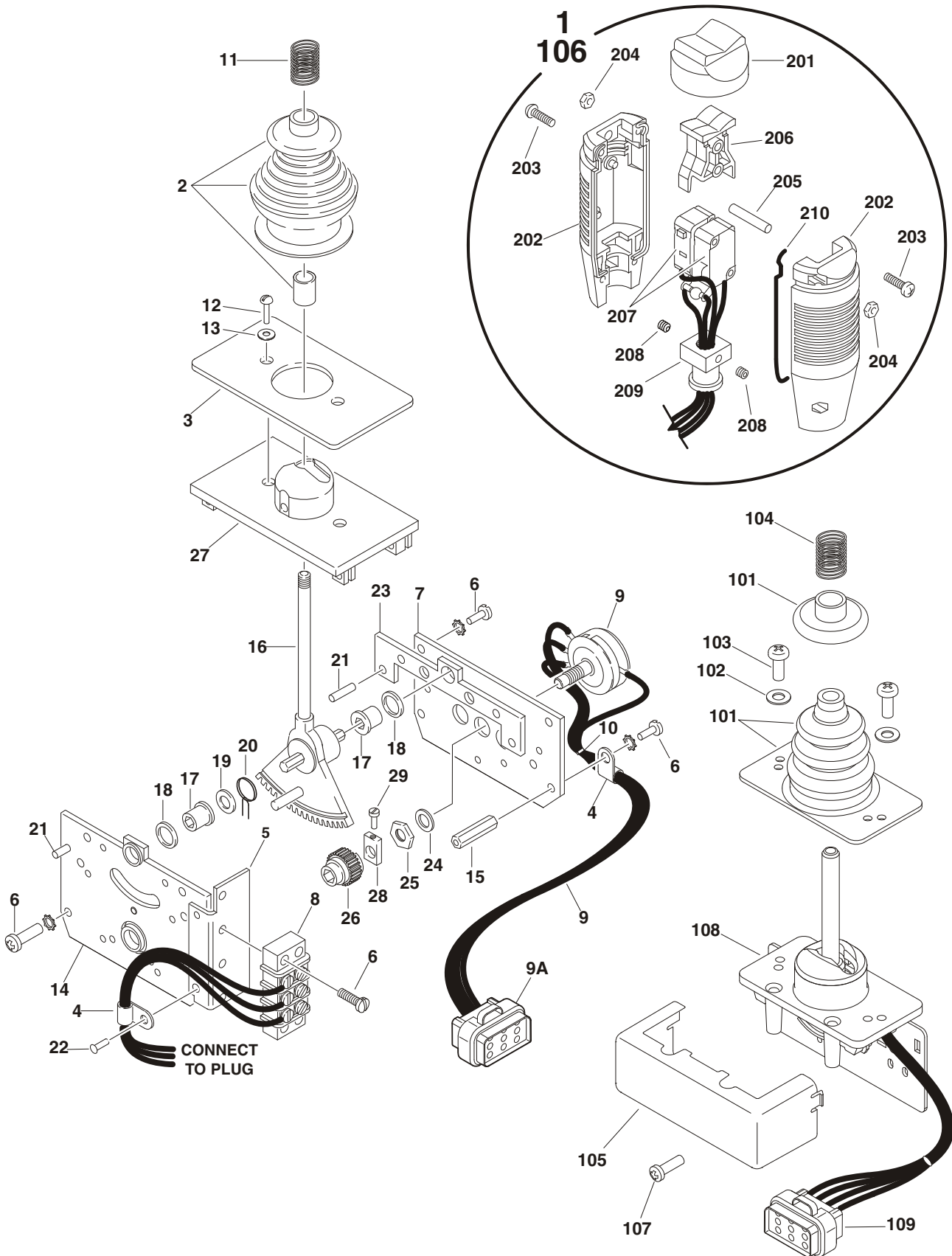
SECTION 4 PLATFORM

FIGURE 4-4. CONTROLLER ASSEMBLY (SWING & LIFT) (CONTINUED)

| ITEM # | PART NUMBER | QTY. | DESCRIPTION | REV. |
|--------|-------------|------|-------------|------|
| | | | | |

SECTION 4 PLATFORM

FIGURE 4-5. CONTROLLER ASSEMBLY (DRIVE & STEER)



SECTION 4 PLATFORM

FIGURE 4-5. CONTROLLER ASSEMBLY (DRIVE & STEER)

| ITEM # | PART NUMBER | QTY. | DESCRIPTION | REV. |
|--------|---------------|------|--|------|
| | | Ref. | CONTROLLER ASSEMBLY | |
| | 1600318 | Ref. | Controller Assembly (OEM) (Original Equipment) (USA Built Machines S/N 0300140000 to S/N 0300146307 & China Built Machines S/N B300000100 to S/N B300000276) | D |
| 1 | 7022812 | 1 | Handle Assembly (See Items 201-210 for Breakdown) | |
| 2 | 7019161 | 1 | Boot and Sleeve | |
| 3 | 7003933 | 1 | Gasket | |
| 4 | 7019154 | 2 | Clamp, Wire | |
| 5 | 7022823 | 1 | Bracket, Mounting | |
| 6 | 7003994 | 1 | Screw | |
| 7 | 7022822 | 1 | Plate, Pot Mounting | |
| 8 | 7003986 | 1 | Strip, Terminal - 3 Position | |
| 9 | 7022824 | 1 | Electric Assembly | |
| 9A | 7022825 | 1 | Plug, Male - 8 Position (Black) | |
| | 4460871 | 7 | Socket, Female | |
| 10 | 7019151 | A/R | Tie-Strap | |
| 11 | 7019162 | 1 | Spring | |
| 12 | 7003969 | 2 | Screw | |
| 13 | 7003941 | 2 | Washer | |
| 14 | Not Serviced | 1 | Plate, Mounting (Left Side) | |
| 15 | 7019115 | 2 | Stand-Off | |
| 16 | 7019155 | 1 | Shaft 8mm | |
| 17 | 7019111 | 2 | Bearing | |
| 18 | 7019110 | 2 | Spacer, Head Gear | |
| 19 | 7019112 | 1 | Washer | |
| 20 | 7003946 | 1 | Spring, Return | |
| 21 | 7019103 | 4 | Pin | |
| 22 | Not Serviced | 1 | Rivet | |
| 23 | 7019168 | 1 | Plate, Mounting (Right Side) | |
| 24 | 7003992 | 1 | Washer | |
| 25 | 7003993 | 1 | Nut | |
| 26 | 7003935 | 1 | Gear, Slave | |
| 27 | 7019160 | 1 | Plate, Base | |
| 28 | 7019114 | 1 | Coupling, Potentiometer | |
| 29 | Not Available | 1 | Capscrew | |
| | 1001118416 | Ref. | Controller Assembly: (Service Replacement - USA Built Machines S/N 0300140000 to S/N 0300146307 & China Built Machines S/N B300000100 to S/N B300000276) (Original Equipment - USA Built Machines S/N 0300146307 to Present & China Built Machines S/N B300000276 to Present) | B |
| 101 | 70002724 | 1 | Boot & Control Lock Assembly | |
| 102 | 7003941 | 2 | Washer | |
| 103 | 70002725 | 2 | Screw | |
| 104 | 7019162 | 1 | Spring | |
| 105 | 70002726 | 1 | Enclosure | |
| 106 | 70002727 | 1 | Handle Assembly (See Items 201-210 for Breakdown) | |
| 107 | 70002728 | 1 | Screw | |

SECTION 4 PLATFORM

FIGURE 4-5. CONTROLLER ASSEMBLY (DRIVE & STEER) (CONTINUED)

| ITEM # | PART NUMBER | QTY. | DESCRIPTION | REV. |
|--------|---------------|------|--|------|
| 108 | Not Available | 1 | Mechanical Assembly | |
| 109 | 7022825 | 1 | Plug, Male - 8 Position (Black) | |
| | 4460871 | 7 | Socket, Female | |
| | | Ref. | HANDLE ASSEMBLIES | |
| | 7022812 | Ref. | Controller Assembly p/n 1600318 | |
| | 70002727 | Ref. | Controller Assembly p/n 100118416 | |
| 201 | 7003972 | 1 | Boot, Switch | |
| 202 | 7003973 | 2 | Half, Handle | |
| 203 | 7003980 | 4 | Screw | |
| 204 | 7019167 | 4 | Nut | |
| 205 | 7019164 | 1 | Axle | |
| 206 | 7019165 | 1 | Rocker | |
| 207 | | 1 | Wiring Assembly Options: | |
| | Not Available | | Controller Assembly p/n 1600318 | |
| | 7019166 | 2 | Switch, Micro | |
| | 70002729 | | Controller Assembly p/n 100118416 | |
| | 7003982 | 2 | Switch, Micro | |
| 208 | 7003983 | 2 | Setscrew | |
| 209 | 7019194 | 1 | Coupling | |
| 210 | 7003989 | 2 | Gasket | |

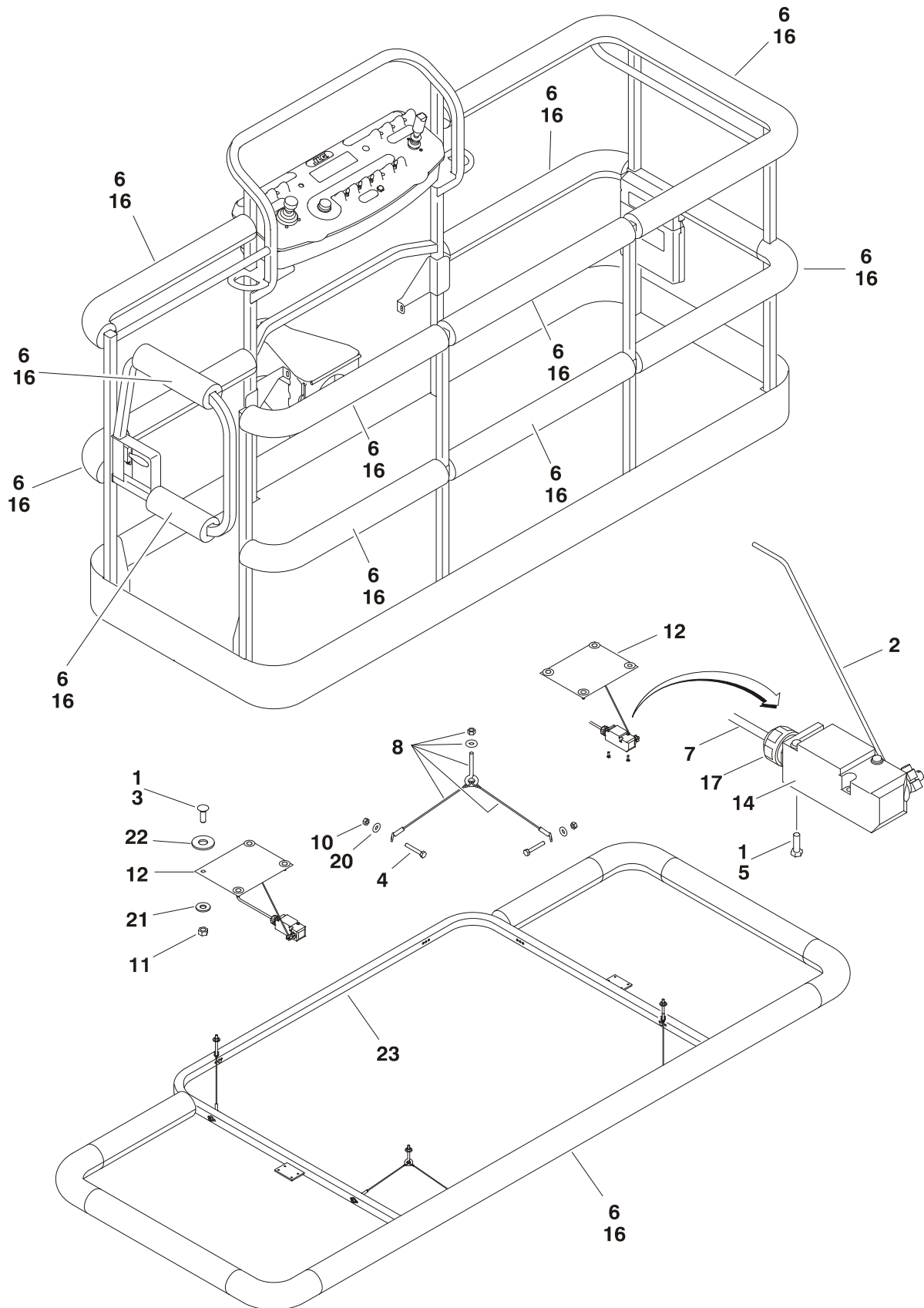
SECTION 4 PLATFORM

FIGURE 4-5. CONTROLLER ASSEMBLY (DRIVE & STEER) (CONTINUED)

| ITEM # | PART NUMBER | QTY. | DESCRIPTION | REV. |
|--------|-------------|------|-------------|------|
| | | | | |

SECTION 4 PLATFORM

FIGURE 4-6. SOFT TOUCH SYSTEM INSTALLATION (OPTIONAL)



SECTION 4 PLATFORM

FIGURE 4-6. SOFT TOUCH SYSTEM INSTALLATION (OPTIONAL)

| ITEM # | PART NUMBER | QTY. | DESCRIPTION | REV. |
|--------|-------------|------|--|------|
| | | Ref. | SOFT TOUCH SYSTEM INSTALLATIONS OPTIONS: | |
| | 0273824 | Ref. | 6Ft/1.8m Platforms | B |
| | 0272427 | Ref. | 8Ft/2.4m Platforms | D |
| | 1001108256 | Ref. | 6Ft/1.8m Platforms w/Fall Arrest | A |
| | 0273706 | Ref. | 8Ft/2.4m Platforms w/Fall Arrest | B |
| 1 | 0100011 | A/R | Compound, Locking | |
| 2 | 0200048 | 2 | Arm, Switch Activator | |
| 3 | 0630462 | 8 | Bolt, Carriage | |
| 4 | 0641414 | 8 | Bolt 1/4"-20NC x 1 3/4" | |
| 5 | 0731005 | 4 | Screw, Machine #10-32 x 5/8" | |
| 6 | | 1 | Bumper Kit Options: | |
| | 0940134 | | 6Ft/1.8m Platforms | |
| | 0940103 | | 8Ft/2.4m Platforms | |
| | 0940177 | | 6Ft/1.8m Platforms w/Fall Arrest | |
| | 0940133 | | 8Ft/2.4m Platforms w/Fall Arrest | |
| 7 | 1060341 | A/R | Cable, Electrical - 16/2 | |
| 8 | 1060903 | 4 | Wire Rope & Eyebolt Assembly | |
| 9 | Not Used | | | |
| 10 | 3311401 | 8 | Nut 1/4"-20NC | |
| 11 | 3311501 | 8 | Nut 5/16"-18NC | |
| 12 | | 2 | Plate, Striker Options: | |
| | 3575359 | | 6Ft/1.8m Platforms | |
| | 3574091 | | 8Ft/2.4m Platforms | |
| 13 | 4240099 | 7 | Tie-Strap (Not Shown) | |
| 14 | 4360057 | 2 | Switch, Limit | |
| 15 | Not Used | | | |
| 16 | 4420068 | 1 | Tape, Yellow Adhesive | |
| 17 | | 2 | Connector, Strain Relief Options: | |
| | 4460425 | | 6Ft/1.8m Platforms | |
| | 4460049 | | 8Ft/2.4m Platforms | |
| | 4460049 | | All Platforms w/Fall Arrest | |
| 18 | 4460234 | A/R | Base, Tie-Strap Mounting (Not Shown) | |
| 19 | Not Used | | | |
| 20 | 4751400 | 8 | Flatwasher 1/4" Wide | |
| 21 | 4751500 | A/R | Flatwasher 5/16" Wide | |
| 22 | 4751800 | 8 | Flatwasher 1/2" Wide | |
| 23 | | 1 | Rail, Soft-Touch Options: | |
| | 3641569 | 1 | 6Ft/1.8m Platforms | |
| | 4846673 | 1 | 8Ft/2.4m Platforms | |
| | 0272444 | Ref. | SOFT TOUCH COUNTERWEIGHT INSTALLATION (NOT SHOWN) | C |
| | 4821397 | 1 | Counterweight (Located in Frame) | |

SECTION 4 PLATFORM

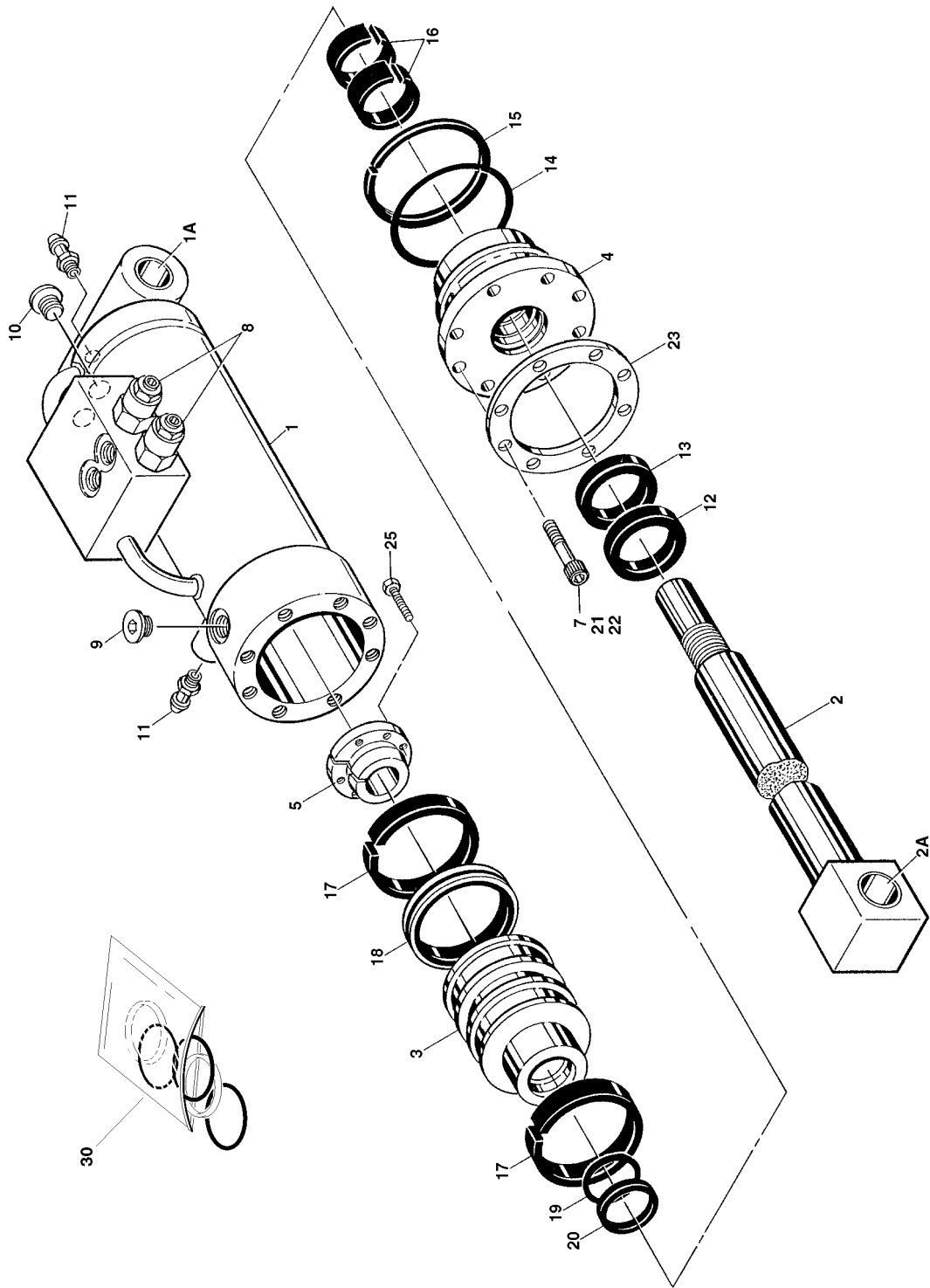
FIGURE 4-6. SOFT TOUCH SYSTEM INSTALLATION (OPTIONAL) (CONTINUED)

| ITEM # | PART NUMBER | QTY. | DESCRIPTION | REV. |
|--------|-------------|------|-------------|------|
| | | | | |

SECTION 5 CYLINDER

SECTION 5 CYLINDER

FIGURE 5-1. AXLE LOCKOUT CYLINDER ASSEMBLY



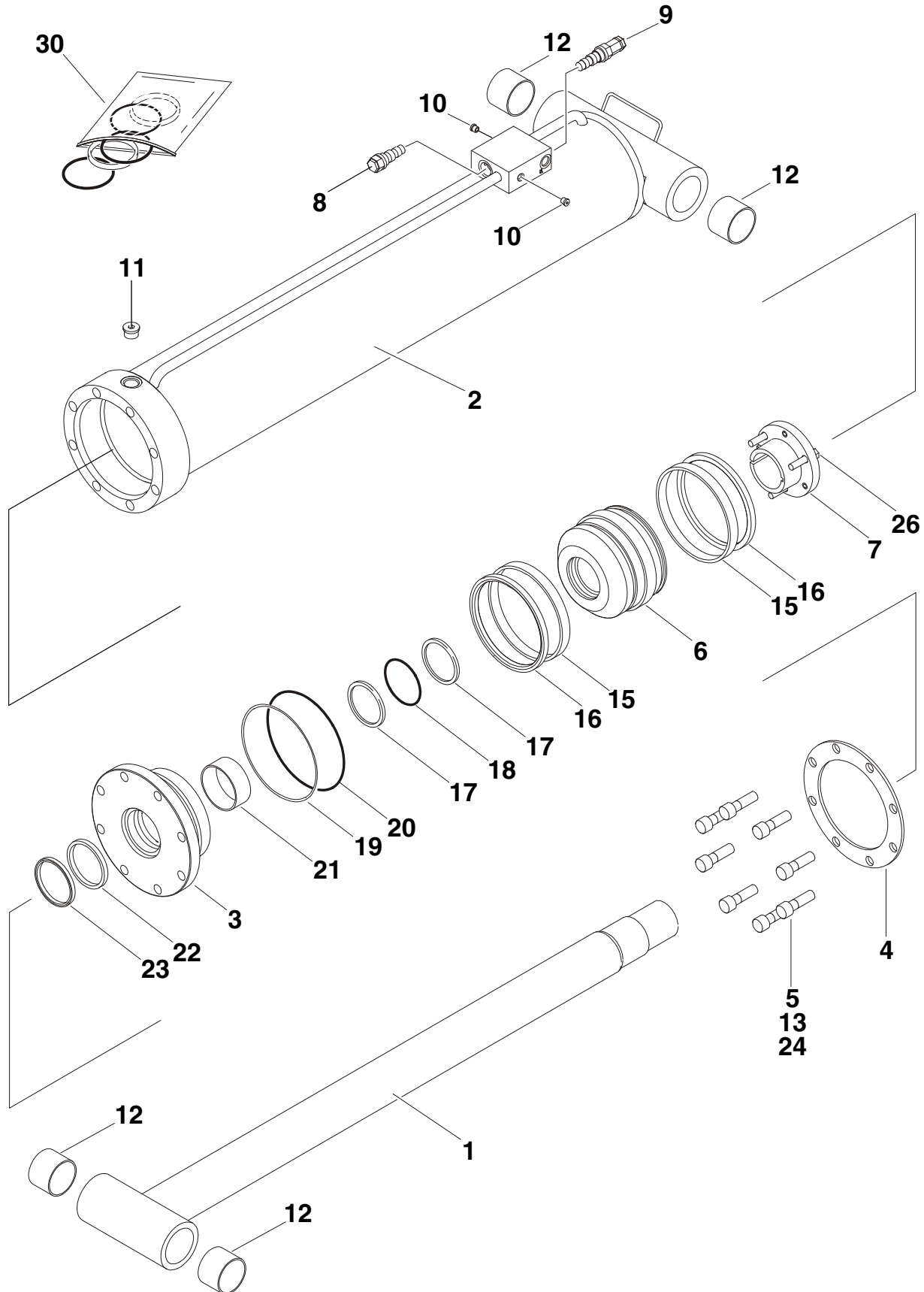
SECTION 5 CYLINDER

FIGURE 5-1. AXLE LOCKOUT CYLINDER ASSEMBLY

| ITEM # | PART NUMBER | QTY. | DESCRIPTION | REV. |
|----------|-------------|------|---|------|
| | 1683078 | Ref. | AXLE LOCKOUT CYLINDER ASSEMBLY | L |
| 1 | 1684191 | 1 | Barrel Weldment | |
| 1A | 0962496 | 2 | Bushing | |
| 2 | 1683986 | 1 | Rod Weldment | |
| 2A | 0962496 | 2 | Bushing | |
| 3 | 3480176 | 1 | Piston | |
| 4 | 1683059 | 1 | Head | |
| 5 | 0961895 | 1 | Bushing | |
| 6 | Not Used | | | |
| 7 | 3931720 | 8 | Bolt, Socket Head 7/16"-14NC x 1 1/4" | |
| 8 | 4641162 | 2 | Cartridge, Valve (Counterbalance) | |
| | 2900770 | 2 | Seal Kit - 4641162 Valve (1 Per Assembly) | |
| 9 | 2220886 | 1 | Plug, O-Ring | |
| 10 | 2220885 | 2 | Plug, O-Ring | |
| 11 | 4640858 | 3 | Valve, Bleeder | |
| 12 | Use Item 30 | 1 | Wiper | |
| 13 | Use Item 30 | 1 | Seal, Rod | |
| 14 | Use Item 30 | 1 | O-Ring | |
| 15 | Use Item 30 | 1 | Ring, Back-up | |
| 16 | Use Item 30 | 1 | Ring, Wear | |
| 17 | Use Item 30 | 2 | Ring, Wear | |
| 18 | Use Item 30 | 1 | T-Seal | |
| 19 | Use Item 30 | 1 | O-Ring | |
| 20 | Use Item 30 | 2 | Ring, Back-up | |
| 21 | 0100011 | A/R | Compound, Locking | |
| 22 | 0100038 | A/R | Primer, Locking | |
| 23 | 3760367 | 1 | Ring, Washer | |
| 24 | Not Used | | | |
| 25 | 0630535 | 3 | Bolt 1/4"-20NC x 1 1/8" | |
| 26 to 29 | Not Used | | | |
| 30 | 2901271 | 1 | Seal Kit (Includes Items 12-20) | |

SECTION 5 CYLINDER

FIGURE 5-2. UPRIGHT LEVEL CYLINDER ASSEMBLY



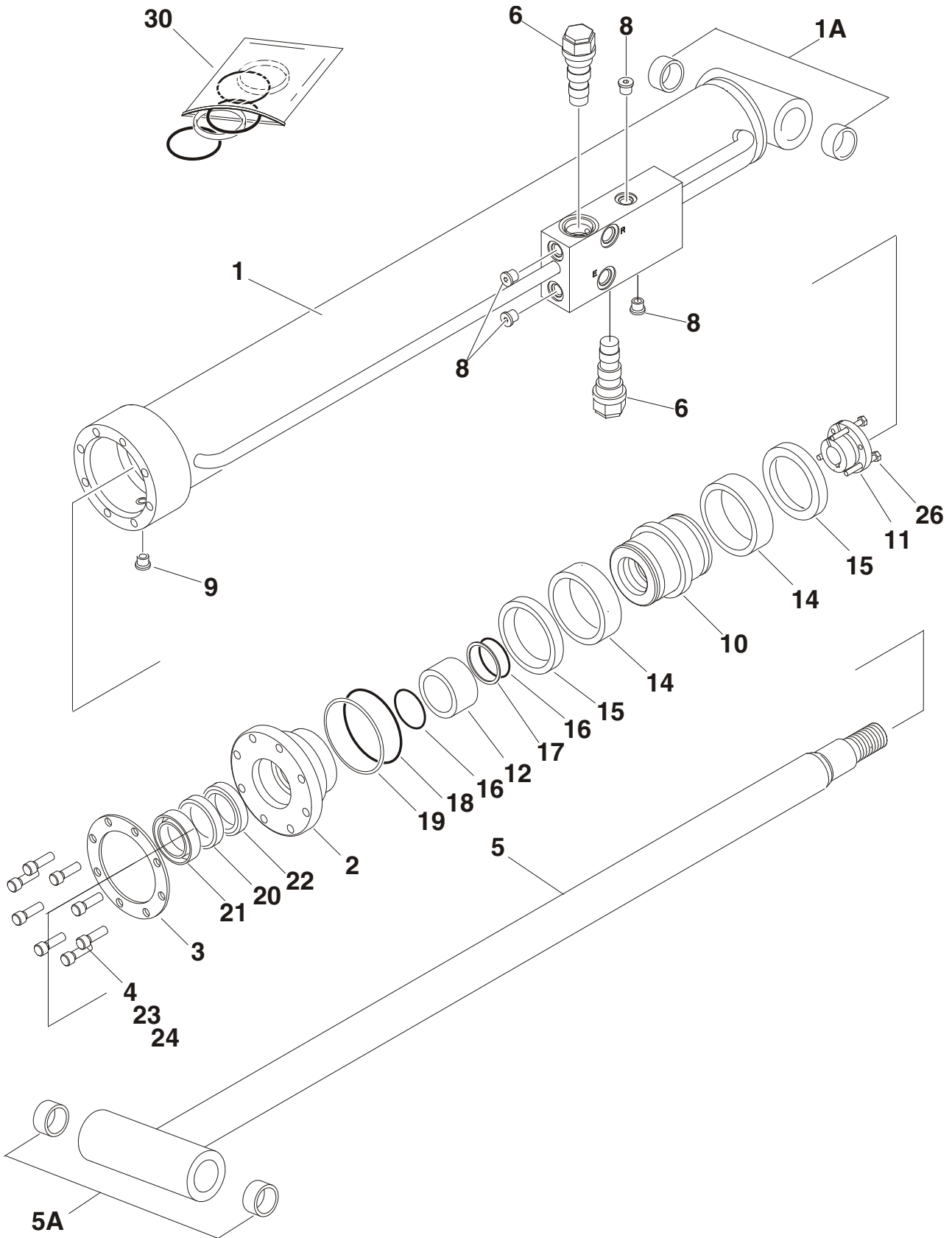
SECTION 5 CYLINDER

FIGURE 5-2. UPRIGHT LEVEL CYLINDER ASSEMBLY

| ITEM # | PART NUMBER | QTY. | DESCRIPTION | REV. |
|----------|-------------|------|--|------|
| | 1684497 | Ref. | UPRIGHT LEVEL CYLINDER ASSEMBLY | C |
| 1 | 1683544 | 1 | Rod Weldment | |
| 2 | 0370034 | 1 | Barrel Weldment | |
| 3 | 1683071 | 1 | Head | |
| 4 | 3760374 | 1 | Ring, Washer | |
| 5 | 3932240 | 8 | Bolt, Socket Head 3/4" x 2 1/2" | |
| 6 | 3480237 | 1 | Piston | |
| 7 | 0961901 | 1 | Bushing, Tapered | |
| 8 | 4640509 | 1 | Cartridge, Valve | |
| | 2900792 | 1 | Seal Kit - 4640509 Valve | |
| 9 | 4640605 | 1 | Cartridge, Valve | |
| | 2900792 | 1 | Seal Kit - 4640605 Valve | |
| 10 | 2220883 | 2 | Plug, O-Ring | |
| 11 | 2220888 | 1 | Plug, O-Ring | |
| 12 | 0962102 | 4 | Bushing | |
| 13 | 0100011 | A/R | Compound, Locking | |
| 14 | Not Used | | | |
| 15 | Use Item 30 | 2 | Seal | |
| 16 | Use Item 30 | 2 | Ring, Lock | |
| 17 | Use Item 30 | 2 | Ring, Back-up | |
| 18 | Use Item 30 | 1 | Ring, Washer | |
| 19 | Use Item 30 | 1 | Ring, Back-up | |
| 20 | Use Item 30 | 1 | O-Ring | |
| 21 | Use Item 30 | 1 | Ring, Wear | |
| 22 | Use Item 30 | 1 | Seal, Rod | |
| 23 | Use Item 30 | 1 | Wiper | |
| 24 | 0100038 | A/R | Primer, Locking | |
| 25 | Not Used | | | |
| 26 | 0630537 | 3 | Bolt | |
| 27 to 29 | Not Used | | | |
| 30 | 2901526 | 1 | Seal Kit (Includes Items 15-23) | |

SECTION 5 CYLINDER

FIGURE 5-3. LIFT CYLINDER ASSEMBLY - JIB (800AJ ONLY)



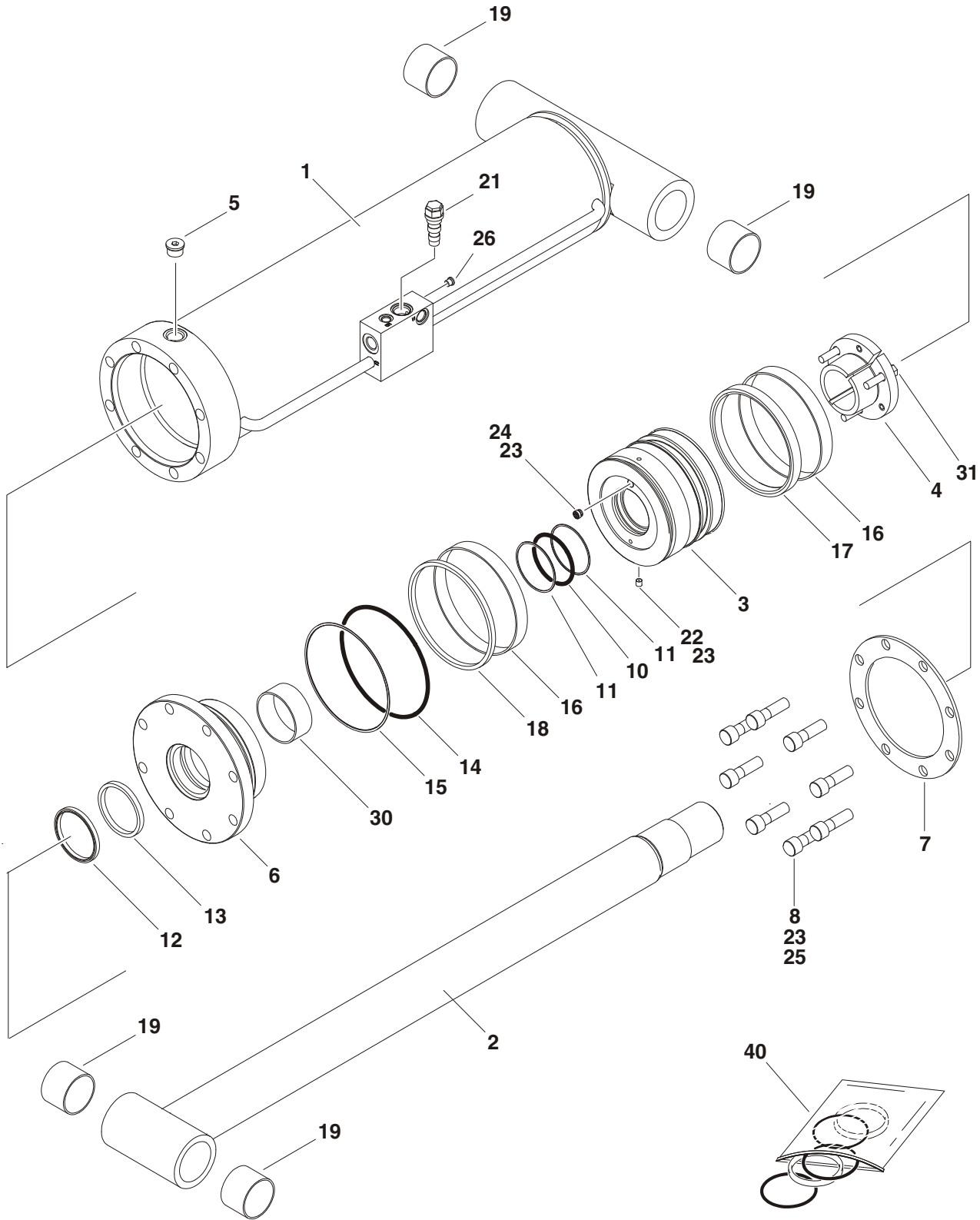
SECTION 5 CYLINDER

FIGURE 5-3. LIFT CYLINDER ASSEMBLY - JIB (800AJ ONLY)

| ITEM # | PART NUMBER | QTY. | DESCRIPTION | REV. |
|----------|-------------|------|--|------|
| | 1683609 | Ref. | JIB LIFT CYLINDER ASSEMBLY | 1 |
| 1 | 1684089 | 1 | Barrel Weldment | |
| 1A | 0962336 | 2 | Bushing | |
| 2 | 1683053 | 1 | Head | |
| 3 | 3760368 | 1 | Washer, Ring | |
| 4 | 3931516 | 8 | Bolt, Socket Head 5/16"-18NC x 2" | |
| 5 | 1684090 | 1 | Rod Weldment | |
| 5A | 0962336 | 2 | Bushing | |
| 6 | 4640509 | 2 | Cartridge, Valve (Counterbalance Non-Vented) | |
| | 2900792 | 2 | Seal Kit - 4640509 Valve | |
| 7 | Not Used | | | |
| 8 | 2220883 | 4 | Plug, O-Ring | |
| 9 | 2220885 | 1 | Plug, O-Ring | |
| 10 | 3480210 | 1 | Piston | |
| 11 | 0961893 | 1 | Bushing, Tapered | |
| 12 | 4100100 | 1 | Spacer, Tube | |
| 13 | Not Used | | | |
| 14 | Use Item 30 | 2 | Seal, Piston | |
| 15 | Use Item 30 | 2 | Ring, Lock | |
| 16 | Use Item 30 | 2 | O-Ring | |
| 17 | Use Item 30 | 2 | Ring, Back-up | |
| 18 | Use Item 30 | 1 | O-Ring | |
| 19 | Use Item 30 | 1 | Ring, Back-up | |
| 20 | Use Item 30 | 1 | Seal | |
| 21 | Use Item 30 | 1 | Wiper | |
| 22 | Use Item 30 | 1 | Ring, Wear | |
| 23 | 0100011 | A/R | Compound, Locking | |
| 24 | 0100038 | A/R | Primer, Locking | |
| 25 | Not Used | | | |
| 26 | 0630534 | 3 | Capscrew, Socket Head #10-24NC x 1" | |
| 27 to 29 | Not Used | | | |
| 30 | 2901303 | 1 | Seal Kit (Includes Items 14-22) | |

SECTION 5 CYLINDER

FIGURE 5-4. LIFT CYLINDER ASSEMBLY - MAIN BOOM



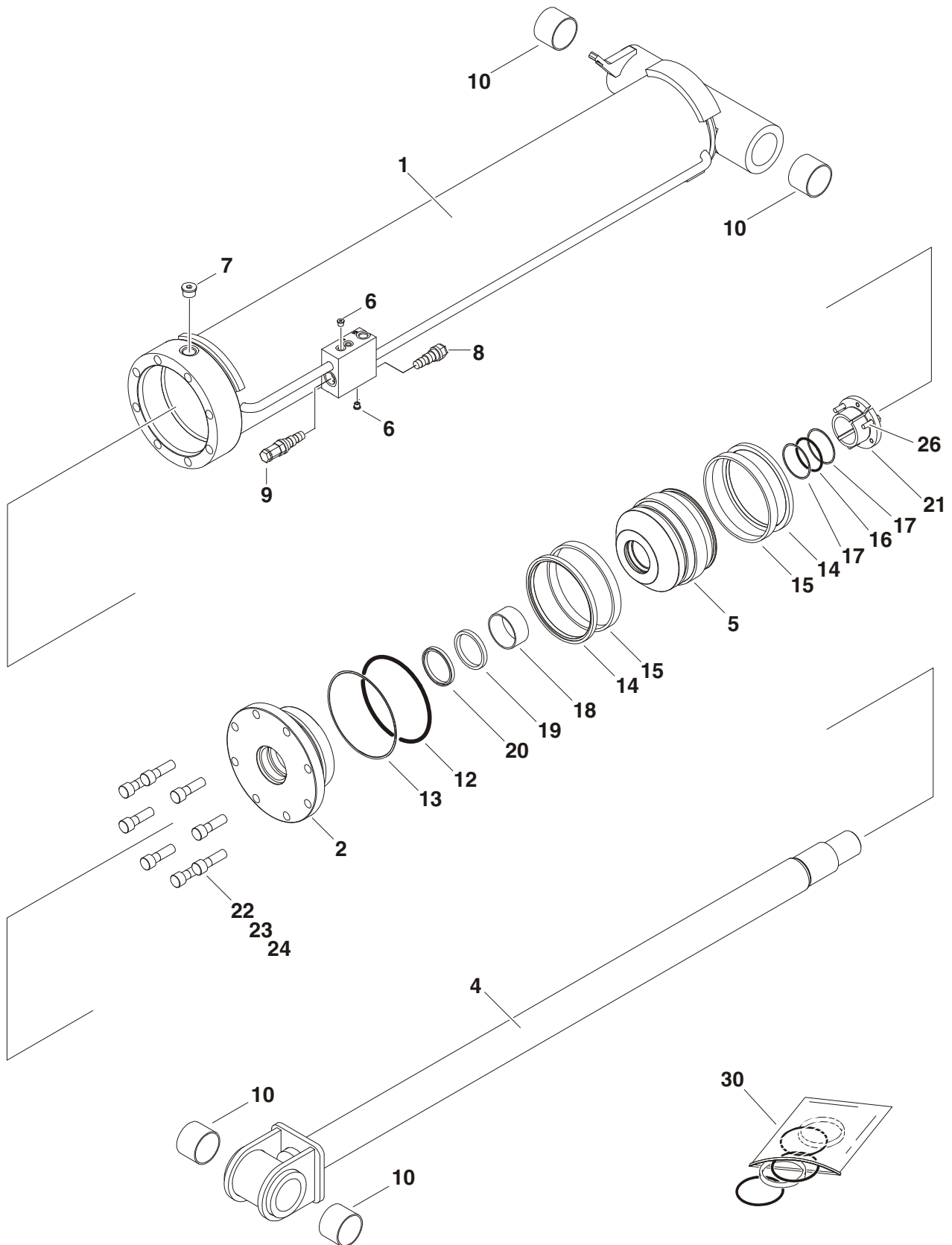
SECTION 5 CYLINDER

FIGURE 5-4. LIFT CYLINDER ASSEMBLY - MAIN BOOM

| ITEM # | PART NUMBER | QTY. | DESCRIPTION | REV. |
|----------|-------------|------|---|------|
| | 1683547 | Ref. | MAIN BOOM LIFT CYLINDER ASSEMBLY | L |
| 1 | 1683821 | 1 | Barrel Weldment | |
| 2 | 1683549 | 1 | Rod Weldment | |
| 3 | 3480238 | 1 | Piston | |
| 4 | 0961901 | 1 | Bushing, Tapered | |
| 5 | 2220888 | 1 | Plug, O-Ring | |
| 6 | 1683071 | 1 | Head | |
| 7 | 3760374 | 1 | Washer, Ring | |
| 8 | 3932240 | 8 | Bolt, Socket Head 3/4" x 2 1/2" | |
| 9 | Not Used | | | |
| 10 | Use Item 40 | 1 | O-Ring | |
| 11 | Use Item 40 | 2 | Ring, Back-up | |
| 12 | Use Item 40 | 1 | Wiper | |
| 13 | Use Item 40 | 1 | Seal, Rod | |
| 14 | Use Item 40 | 1 | O-Ring | |
| 15 | Use Item 40 | 1 | Ring, Back-up | |
| 16 | Use Item 40 | 2 | Ring, Wear | |
| 17 | Use Item 40 | 1 | T-Seal | |
| 18 | Use Item 40 | 1 | Seal | |
| 19 | 0962102 | 4 | Bushing, Garmax | |
| 20 | Not Used | | | |
| 21 | 4640509 | 1 | Cartridge, Valve | |
| | 2900792 | 1 | Seal Kit - 4640509 Valve | |
| 22 | 2180615 | 1 | Orifice | |
| 23 | 0100011 | A/R | Compound, Locking | |
| 24 | 4641027 | 1 | Plug, Check Valve | |
| 25 | 0100038 | A/R | Primer, Locking | |
| 26 | 2220883 | 1 | Plug | |
| 27 to 29 | Not Used | | | |
| 30 | Use Item 40 | 1 | Ring, Wear | |
| 31 | 0630537 | 3 | Bolt | |
| 32 to 39 | Not Used | | | |
| 40 | 2901514 | 1 | Seal Kit (Includes Items 10-18 & 30) | |

SECTION 5 CYLINDER

FIGURE 5-5. LIFT CYLINDER ASSEMBLY - TOWER BOOM



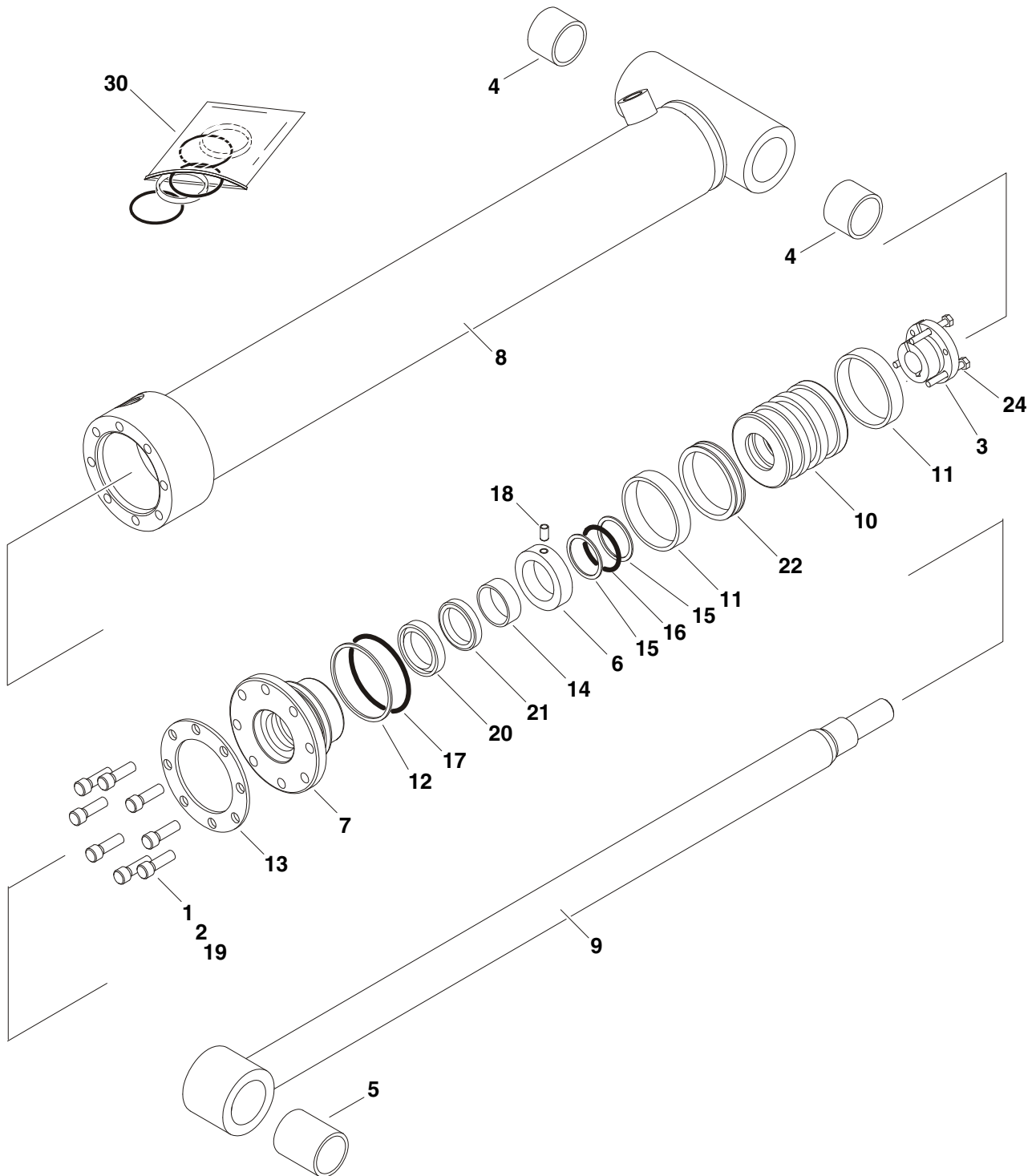
SECTION 5 CYLINDER

FIGURE 5-5. LIFT CYLINDER ASSEMBLY - TOWER BOOM

| ITEM # | PART NUMBER | QTY. | DESCRIPTION | REV. |
|----------|-------------|------|-------------------------------------|------|
| | 1683537 | Ref. | TOWER LIFT CYLINDER ASSEMBLY | I |
| 1 | 1683823 | 1 | Barrel Weldment | |
| 2 | 1683818 | 1 | Head | |
| 3 | Not Used | | | |
| 4 | 1683539 | 1 | Rod Weldment | |
| 5 | 3480236 | 1 | Piston | |
| 6 | 2220883 | 2 | Plug, O-Ring | |
| 7 | 2220888 | 1 | Plug, O-Ring | |
| 8 | 4640509 | 1 | Cartridge, Valve | |
| | 2900792 | 1 | Seal Kit - 4640999 Valve | |
| 9 | 4640605 | 1 | Cartridge, Valve | |
| | 2900792 | 1 | Seal Kit - 4640605 Valve | |
| 10 | 0962102 | 4 | Bushing, Garmax | |
| 11 | Not Used | | | |
| 12 | Use Item 30 | 1 | O-Ring | |
| 13 | Use Item 30 | 1 | Ring, Back-up | |
| 14 | Use Item 30 | 2 | Ring, Lock | |
| 15 | Use Item 30 | 2 | Seal | |
| 16 | Use Item 30 | 1 | O-Ring | |
| 17 | Use Item 30 | 2 | Ring, Back-up | |
| 18 | Use Item 30 | 1 | Ring, Wear | |
| 19 | Use Item 30 | 1 | Seal | |
| 20 | Use Item 30 | 1 | Wiper | |
| 21 | 0961903 | 1 | Bushing, Tapered | |
| 22 | 3932240 | 8 | Capscrew, Socket Head 3/4" x 2 1/2" | |
| 23 | 0100011 | A/R | Compound, Locking | |
| 24 | 0100038 | A/R | Primer, Locking | |
| 25 | Not Used | | | |
| 26 | 0630536 | 3 | Bolt | |
| 27 to 29 | Not Used | | | |
| 30 | 2901537 | 1 | Seal Kit (Includes Items 12-20) | |

SECTION 5 CYLINDER

FIGURE 5-6. MASTER CYLINDER ASSEMBLY - 800A



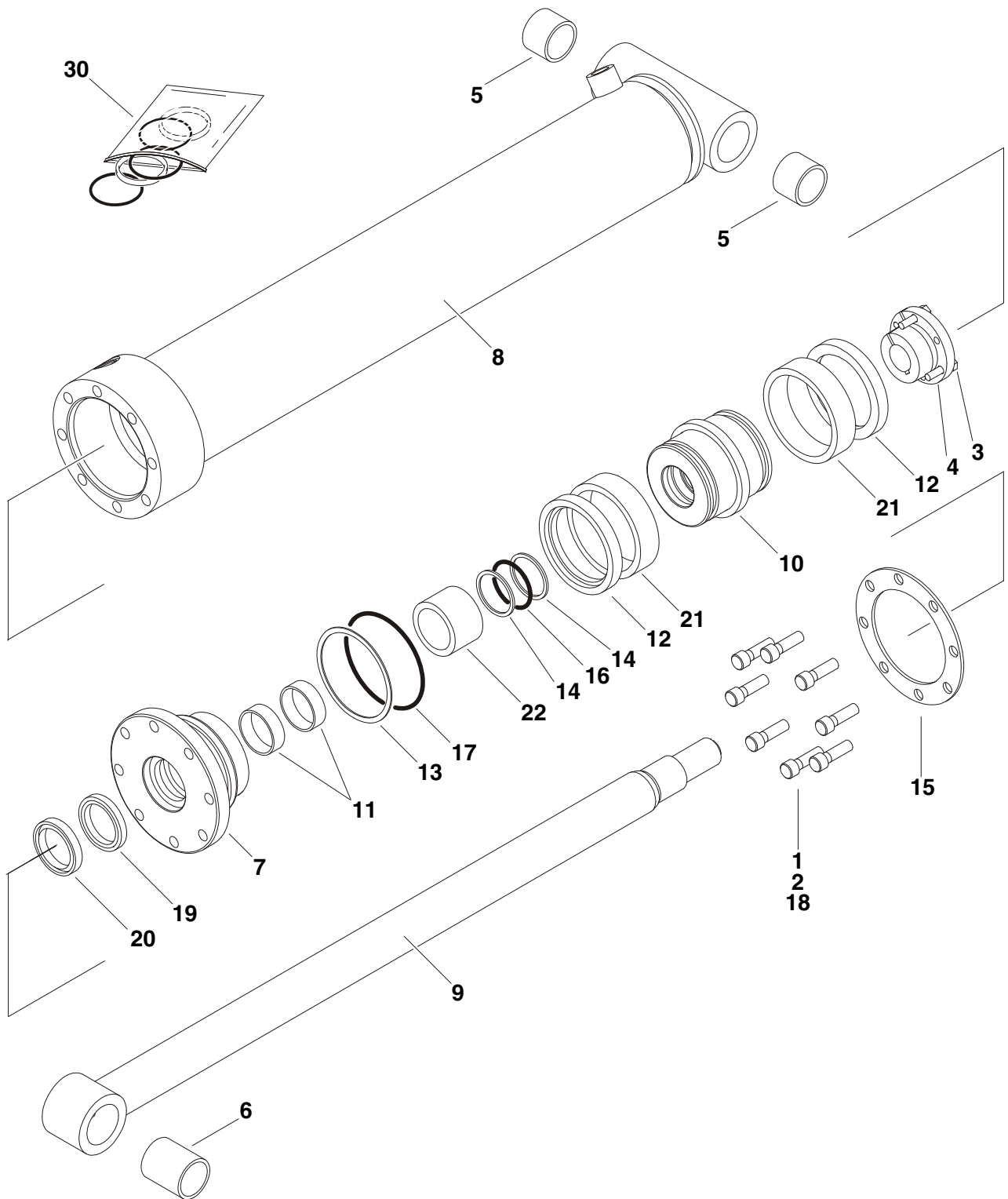
SECTION 5 CYLINDER

FIGURE 5-6. MASTER CYLINDER ASSEMBLY - 800A

| ITEM # | PART NUMBER | QTY. | DESCRIPTION | REV. |
|----------|-------------|------|---|------|
| | 1683608 | Ref. | MASTER CYLINDER ASSEMBLY | G |
| 1 | 0100011 | A/R | Compound, Locking | |
| 2 | 0100038 | A/R | Primer, Locking | |
| 3 | 0962185 | 1 | Bushing, Tapered | |
| 4 | 0961951 | 2 | Bushing, Garmax | |
| 5 | 0962155 | 1 | Bushing, Garmax | |
| 6 | 0962156 | 1 | Spacer, Tube | |
| 7 | 1683050 | 1 | Head | |
| 8 | 1684114 | 1 | Barrel | |
| 9 | 1684115 | 1 | Rod | |
| 10 | 3480232 | 1 | Piston | |
| 11 | Use Item 30 | 2 | Ring, Wear | |
| 12 | Use Item 30 | 1 | Ring, Back-up | |
| 13 | 3760367 | 1 | Ring, Washer | |
| 14 | Use Item 30 | 1 | Ring, Wear | |
| 15 | Use Item 30 | 2 | Ring, Back-up | |
| 16 | Use Item 30 | 1 | O-Ring | |
| 17 | Use Item 30 | 1 | O-Ring | |
| 18 | 3900139 | 1 | Setscrew 1/4-20NC x 1/2" | |
| 19 | 3931516 | 8 | Capscrew 5/16"-18NC x 1" | |
| 20 | Use Item 30 | 1 | Wiper | |
| 21 | Use Item 30 | 1 | Seal | |
| 22 | Use Item 30 | 1 | T-Seal | |
| 23 | Not Used | | | |
| 24 | 0630534 | 3 | Capscrew, Socket Head #10-24NC x 1" | |
| 25 to 29 | Not Used | | | |
| 30 | 2901549 | 1 | Seal Kit - 1683608 Cylinder (Includes Items 11,12, 14-17 & 20-22) | |

SECTION 5 CYLINDER

FIGURE 5-7. MASTER CYLINDER ASSEMBLY - 800AJ



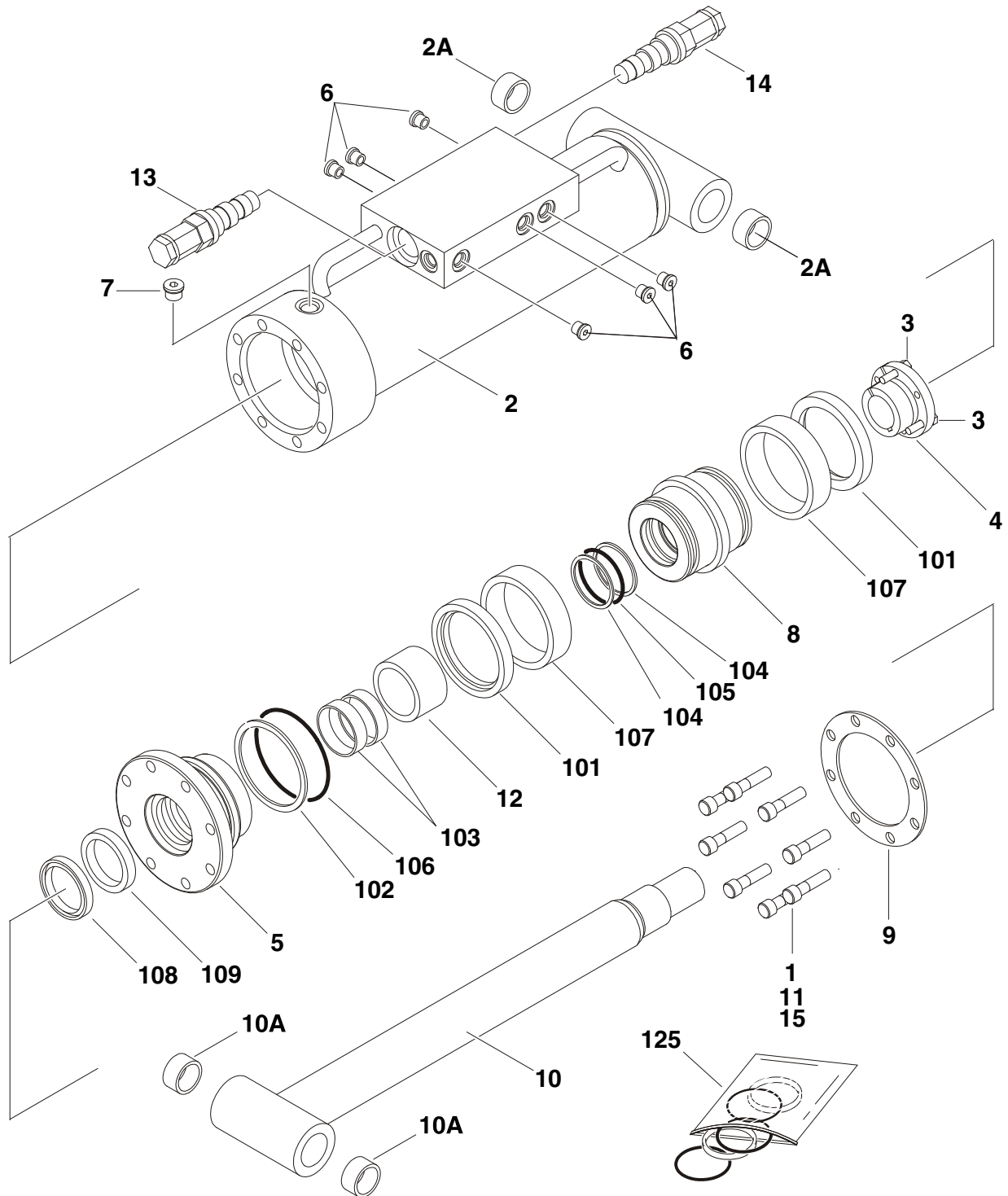
SECTION 5 CYLINDER

FIGURE 5-7. MASTER CYLINDER ASSEMBLY - 800AJ

| ITEM # | PART NUMBER | QTY. | DESCRIPTION | REV. |
|----------|-------------|------|--|------|
| | 1683682 | Ref. | MASTER CYLINDER ASSEMBLY | E |
| 1 | 0100011 | A/R | Compound, Locking | |
| 2 | 0100038 | A/R | Primer, Locking | |
| 3 | 0630535 | 3 | Capscrew, Socket Head 1/4"-20NC x 1" | |
| 4 | 0961894 | 1 | Bushing, Tapered | |
| 5 | 0961951 | 2 | Bushing, Garmax | |
| 6 | 0962155 | 1 | Bushing, Garmax | |
| 7 | 1683055 | 1 | Head | |
| 8 | 1684125 | 1 | Barrel | |
| 9 | 1684126 | 1 | Rod | |
| 10 | 3480188 | 1 | Piston | |
| 11 | Use Item 30 | 2 | Ring, Wear | |
| 12 | Use Item 30 | 2 | Ring, Lock | |
| 13 | Use Item 30 | 1 | Ring, Back-up | |
| 14 | Use Item 30 | 2 | Ring, Back-up | |
| 15 | 3760369 | 1 | Ring, Washer | |
| 16 | Use Item 30 | 1 | O-Ring | |
| 17 | Use Item 30 | 1 | O-Ring | |
| 18 | 3931620 | 8 | Capscrew 3/8"-16NC x 1 1/4" | |
| 19 | Use Item 30 | 1 | Seal, Rod | |
| 20 | Use Item 30 | 1 | Wiper | |
| 21 | Use Item 30 | 2 | Seal | |
| 22 | 4566468 | 1 | Spacer, Tube | |
| 23 to 29 | Not Used | | | |
| 30 | 2901301 | 1 | Seal Kit - 1683682 Cylinder (Includes Items 11-14, 16, 17 & 19-21) | |

SECTION 5 CYLINDER

FIGURE 5-8. SLAVE CYLINDER ASSEMBLIES



SECTION 5 CYLINDER

FIGURE 5-8. SLAVE CYLINDER ASSEMBLIES

| ITEM # | PART NUMBER | QTY. | DESCRIPTION | REV. |
|-----------|--------------|------|--------------------------------------|------|
| | | Ref. | SLAVE CYLINDER ASSEMBLIES: | |
| | 1684408 | Ref. | 800A | C |
| | 1684228 | Ref. | 800AJ | C |
| 1 | 0100011 | A/R | Compound, Locking | |
| 2 | | 1 | Barrel Options: | |
| | 0370022 | | 800A | |
| | 1684230 | | 800AJ | |
| 2A | | 4 | Bushing, Garmax Options: | |
| | 0961947 | | 800A | |
| | 0961951 | | 800AJ | |
| 3 | 0630535 | 3 | Capscrew, Socket Head 1/4"-20NC x 1" | |
| 4 | | 1 | Bushing, Tapered Options: | |
| | 0961902 | | 800A | |
| | 0961894 | | 800AJ | |
| 5 | | 1 | Head Options: | |
| | 1683074 | | 800A | |
| | 1683055 | | 800AJ | |
| 6 | 2220883 | 6 | Plug | |
| 7 | 2220885 | 1 | Plug | |
| 8 | | 1 | Piston Options: | |
| | 3480233 | | 800A | |
| | 3480188 | | 800AJ | |
| 9 | 3760369 | 1 | Ring, Washer | |
| 10 | | 1 | Rod Options: | |
| | 3850018 | | 800A | |
| | 1684232 | | 800AJ | |
| 10A | | 4 | Bushing, Garmax Options: | |
| | 0961947 | | 800A | |
| | 0961951 | | 800AJ | |
| 11 | 3931620 | 8 | Capscrew 3/8"-16NC x 1 1/4" | |
| 12 | | 1 | Spacer, Tube Options: | |
| | 4567434 | | 800A | |
| | 4566468 | | 800AJ | |
| 13 | 4640605 | 1 | Valve, Cartridge | |
| | 2900792 | 1 | Seal Kit - 4640605 Valve | |
| 14 | 4640932 | 1 | Valve, Cartridge | |
| | 7011112 | 1 | Seal Kit - 4640932 Valve | |
| 15 | 0100038 | A/R | Primer, Locking | |
| 16 to 100 | Not Used | | | |
| 101 | Use Item 125 | 2 | Ring, Lock | |
| 102 | Use Item 125 | 1 | Ring, Back-up | |
| 103 | Use Item 125 | 2 | Ring, Wear | |
| 104 | Use Item 125 | 2 | Ring, Back-up | |
| 105 | Use Item 125 | 1 | O-Ring | |
| 106 | Use Item 125 | 1 | O-Ring | |
| 107 | Use Item 125 | 2 | Seal | |
| 108 | Use Item 125 | 1 | Wiper | |
| 109 | Use Item 125 | 1 | Seal | |

SECTION 5 CYLINDER

FIGURE 5-8. SLAVE CYLINDER ASSEMBLIES (CONTINUED)

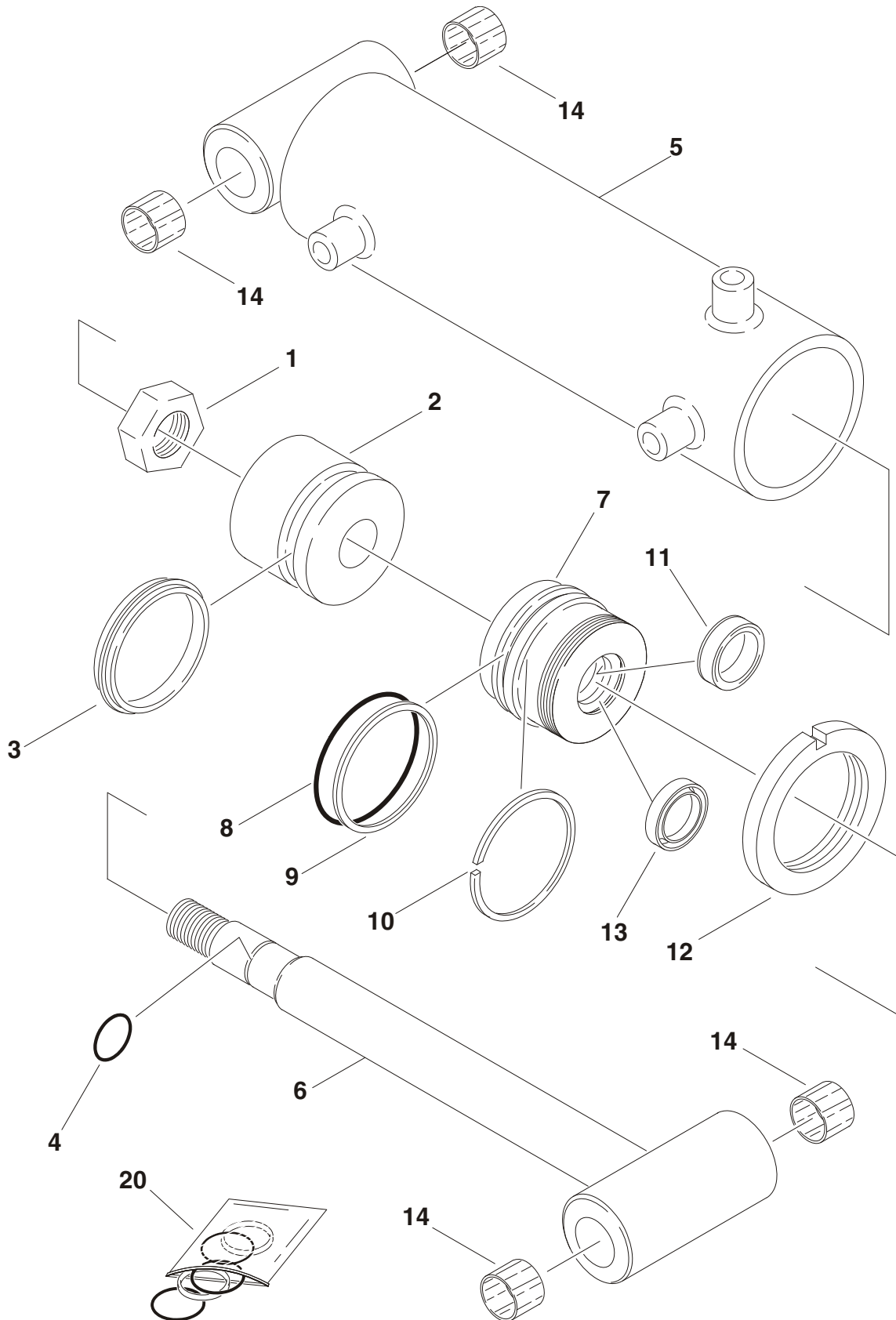
| ITEM # | PART NUMBER | QTY. | DESCRIPTION | REV. |
|-------------------|------------------------------------|------|--|------|
| 110 to 124 125 | Not Used 2901556 2901301 | 1 | Seal Kit Options (Includes Items 101-109) 800A 800AJ | |

FIGURE 5-8. SLAVE CYLINDER ASSEMBLIES (CONTINUED)

| ITEM # | PART NUMBER | QTY. | DESCRIPTION | REV. |
|--------|-------------|------|-------------|------|
| | | | | |

SECTION 5 CYLINDER

FIGURE 5-9. STEER CYLINDER ASSEMBLY (USA BUILT MACHINES S/N 0300140000 TO S/N 0300142666)



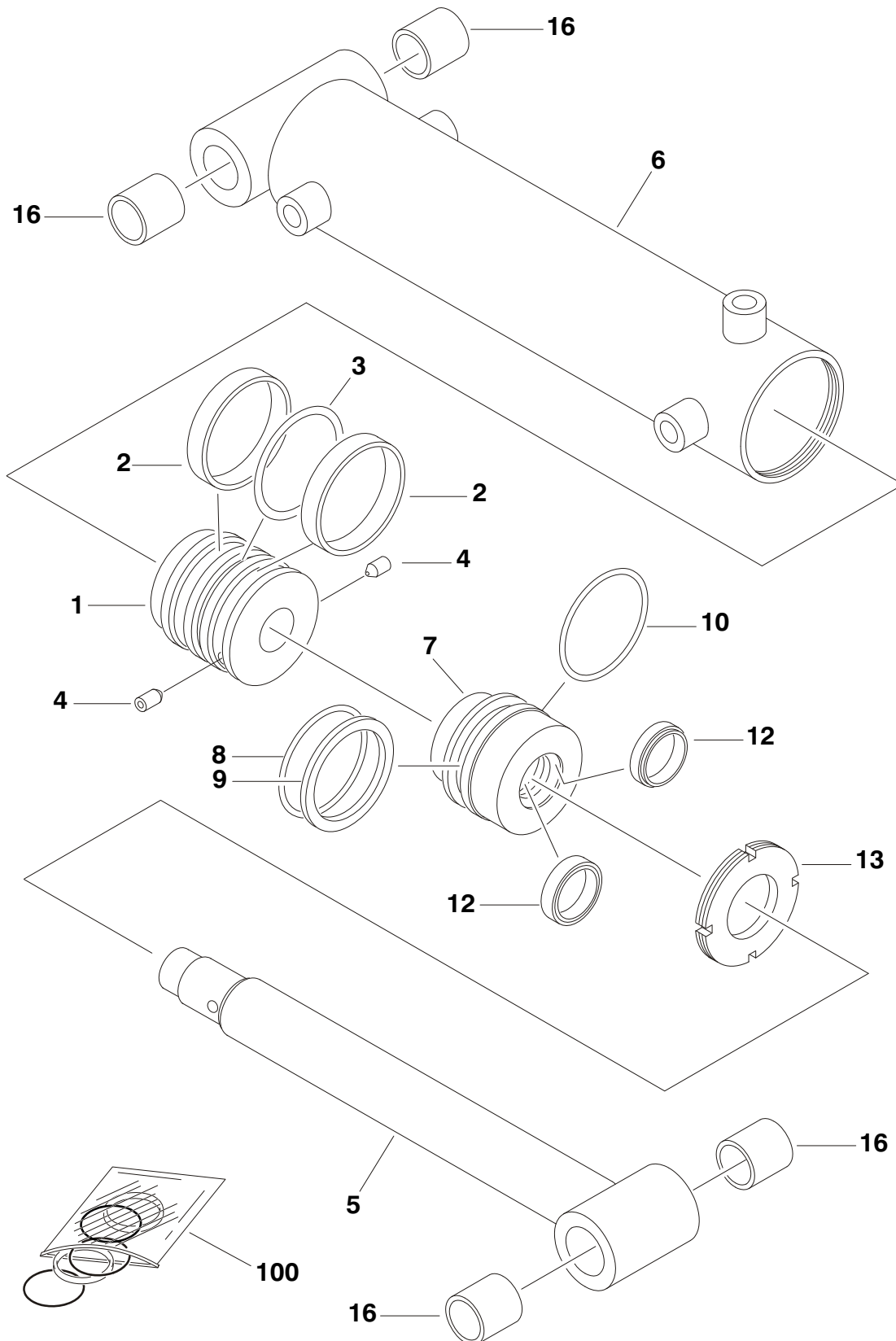
SECTION 5 CYLINDER

FIGURE 5-9. STEER CYLINDER ASSEMBLY (USA BUILT MACHINES S/N 0300140000 TO S/N 0300142666)

| ITEM # | PART NUMBER | QTY. | DESCRIPTION | REV. |
|----------|-------------|------|---|------|
| | 1683740 | Ref. | STEER CYLINDER ASSEMBLY | C |
| 1 | 7017210 | 1 | Locknut | |
| 2 | 7017211 | 1 | Piston | |
| 3 | Use Item 20 | 1 | Seal | |
| 4 | Use Item 20 | 1 | O-Ring | |
| 5 | 7023023 | 1 | Barrel Weldment | |
| 6 | 7017236 | 1 | Rod Weldment | |
| 7 | 7017213 | 1 | Head | |
| 8 | Use Item 20 | 1 | O-Ring | |
| 9 | Use Item 20 | 1 | Ring, Back-up | |
| 10 | Use Item 20 | 1 | Ring, Retainer | |
| 11 | Use Item 20 | 1 | Seal | |
| 12 | 7017214 | 1 | Nut, Spanner | |
| 13 | Use Item 20 | 1 | Wiper | |
| 14 | 0961977 | 4 | Bushings | |
| 15 to 19 | Not Used | | | |
| 20 | 7017215 | 1 | Seal Kit (Includes Items 3, 4, 8-11 & 13) | |

SECTION 5 CYLINDER

FIGURE 5-10. STEER CYLINDER ASSEMBLY (USA BUILT MACHINES S/N 03000142664 TO PRESENT ONLY & CHINA BUILT MACHINES S/N B300000100 TO PRESENT ONLY)



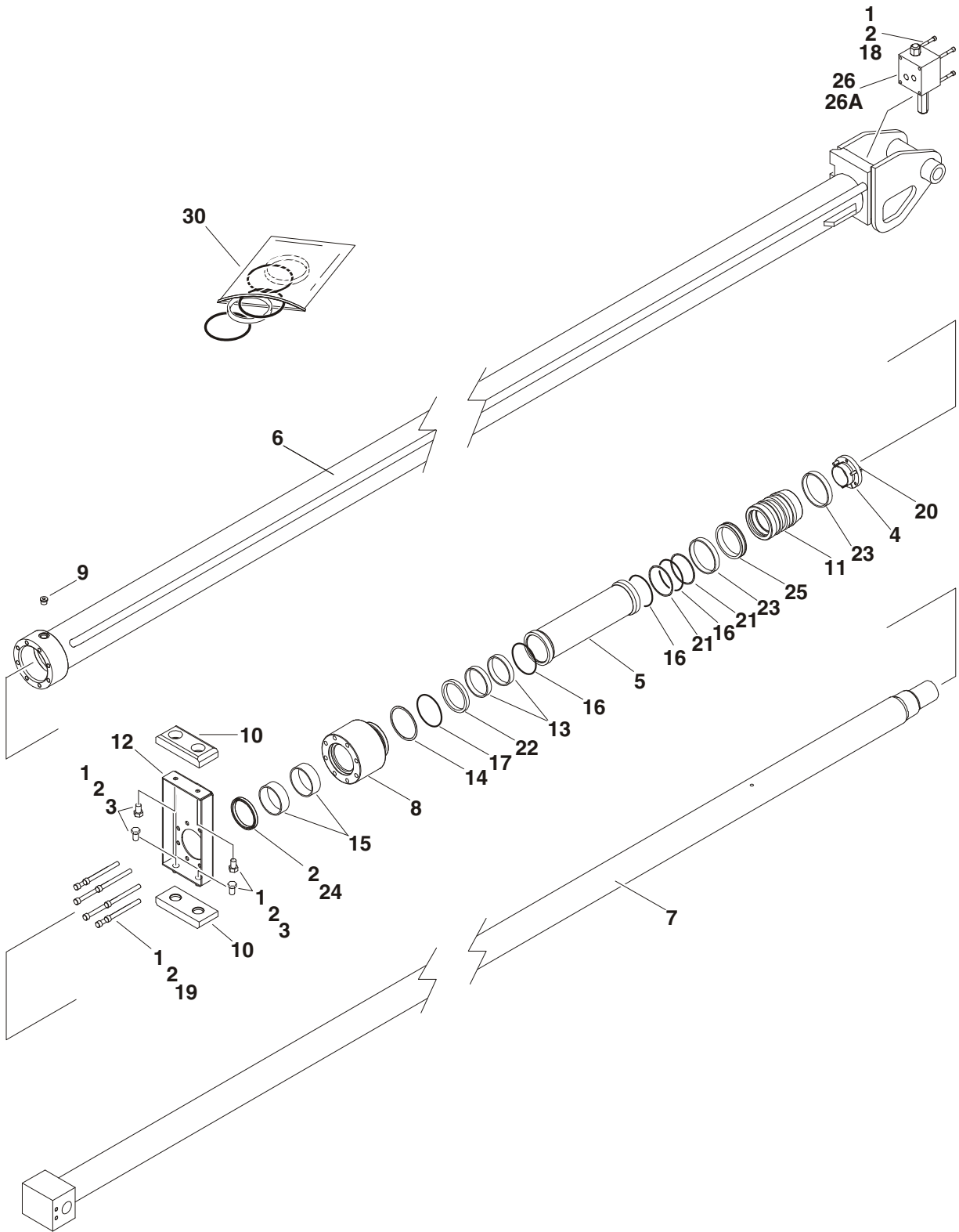
SECTION 5 CYLINDER

FIGURE 5-10. STEER CYLINDER ASSEMBLY (USA BUILT MACHINES S/N 03000142664 TO PRESENT ONLY & CHINA BUILT MACHINES S/N B300000100 TO PRESENT ONLY)

| ITEM # | PART NUMBER | QTY. | DESCRIPTION | REV. |
|--------|--------------|------|--|------|
| | 1001097243 | Ref. | STEER CYLINDER ASSEMBLY | B |
| 1 | 70002744 | 1 | Piston | |
| 2 | Use Item 100 | 1 | Seal | |
| 3 | Use Item 100 | 1 | Seal | |
| 4 | 70002745 | 2 | Setscrew | |
| 5 | 70002746 | 1 | Rod Weldment | |
| 6 | 70002747 | 1 | Barrel Weldment | |
| 7 | 70002748 | 1 | Head | |
| 8 | Use Item 100 | 1 | O-Ring | |
| 9 | Use Item 100 | 1 | Ring, Back-up | |
| 10 | Use Item 100 | 1 | Ring, Retainer | |
| 11 | 70002749 | 1 | Nut, Spanner | |
| 12 | Use Item 100 | 1 | Seal | |
| 13 | Use Item 100 | 1 | Wiper | |
| 14 | Use Item 100 | 5 | O-Ring | |
| 15 | 70002750 | 5 | Plug, Port | |
| 16 | 0962356 | 4 | Bushings | |
| | | | ----- | |
| 100 | 70002751 | 1 | Seal Kit (Includes Items 2, 3, 8-10 & 12-14) | |

SECTION 5 CYLINDER

FIGURE 5-11. TELESCOPE CYLINDER ASSEMBLY - MAIN



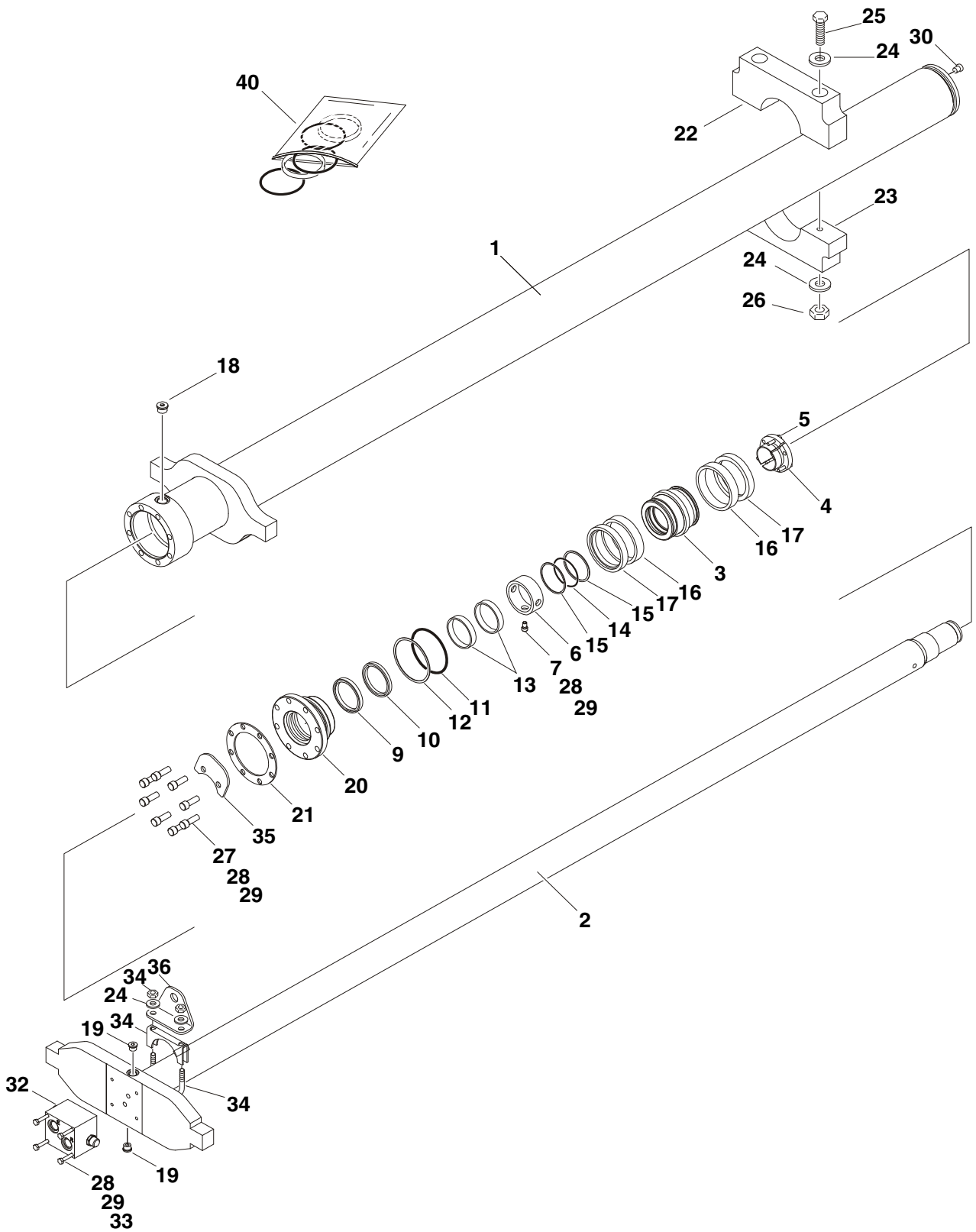
SECTION 5 CYLINDER

FIGURE 5-11. TELESCOPE CYLINDER ASSEMBLY - MAIN

| ITEM # | PART NUMBER | QTY. | DESCRIPTION | REV. |
|----------|-------------|------|---|------|
| | | Ref. | TELESCOPE CYLINDER ASSEMBLIES: | |
| | 1683607 | Ref. | 800A | H |
| | 1683672 | Ref. | 800AJ | H |
| 1 | 0100011 | A/R | Compound, Locking | |
| 2 | 0100038 | A/R | Primer, Locking | |
| 3 | 0641806 | 4 | Bolt 1/2"-13NC x 3/4" | |
| 4 | 0961897 | 1 | Bushing, Tapered | |
| 5 | 0962524 | 1 | Spacer, Tube | |
| 6 | | 1 | Barrel Options: | |
| | 1683647 | | 800A | |
| | 1683673 | | 800AJ | |
| 7 | | 1 | Rod Options: | |
| | 1683648 | | 800A | |
| | 1683675 | | 800AJ | |
| 8 | 1683663 | 1 | Head | |
| 9 | 2220885 | 1 | Plug, O-Ring | |
| 10 | 3340838 | 2 | Pad, Wear | |
| 11 | 3480234 | 1 | Piston | |
| 12 | 3570775 | 1 | Plate | |
| 13 | Use Item 30 | 2 | Ring, Wear | |
| 14 | Use Item 30 | 1 | Ring, Back-up | |
| 15 | Use Item 30 | 2 | Ring, Wear | |
| 16 | Use Item 30 | 3 | O-Ring | |
| 17 | Use Item 30 | 1 | O-Ring | |
| 18 | 3931448 | 4 | Capscrew 1/4"-20NC x 3" | |
| 19 | 3931664 | 8 | Capscrew 3/8"-16NC x 4" | |
| 20 | 0630535 | 3 | Bolt 1/4"-20NC x 1 1/8" | |
| 21 | Use Item 30 | 2 | Ring, Back-up | |
| 22 | Use Item 30 | 1 | Seal, Rod | |
| 23 | Use Item 30 | 2 | Ring, Wear | |
| 24 | Use Item 30 | 1 | Wiper | |
| 25 | Use Item 30 | 1 | T-Seal | |
| 26 | 4641033 | 1 | Valve Assembly (No serviceable parts - sold as assembly only) | |
| 26A | 7024508 | 2 | O-Ring | |
| 27 to 29 | Not Used | | | |
| 30 | 2901712 | 1 | Seal Kit - 1683607 & 1683672 Cylinders (Includes Items 13-17 & 21-25) | |

SECTION 5 CYLINDER

FIGURE 5-12. TELESCOPE CYLINDER ASSEMBLY - TOWER



SECTION 5 CYLINDER

FIGURE 5-12. TELESCOPE CYLINDER ASSEMBLY - TOWER

| ITEM # | PART NUMBER | QTY. | DESCRIPTION | REV. |
|----------|-------------|------|---|------|
| | 1683606 | Ref. | TELESCOPE CYLINDER ASSEMBLY | K |
| 1 | 1683632 | 1 | Barrel Weldment | |
| 2 | 1683629 | 1 | Rod Weldment | |
| 3 | 3480211 | 1 | Piston | |
| 4 | 0961897 | 1 | Bushing, Tapered | |
| 5 | 0630535 | 3 | Bolt 1/4"-20NC x 1 1/8" | |
| 6 | 4567413 | 1 | Spacer, Tube | |
| 7 | 3931508 | 1 | Bolt, Socket Head 5/16"-18NC x 1/2" | |
| 8 | Not Used | | | |
| 9 | Use Item 40 | 1 | Wiper | |
| 10 | Use Item 40 | 1 | Seal | |
| 11 | Use Item 40 | 1 | O-Ring | |
| 12 | Use Item 40 | 1 | Ring, Back-up | |
| 13 | Use Item 40 | 2 | Ring, Wear | |
| 14 | Use Item 40 | 1 | O-Ring | |
| 15 | Use Item 40 | 2 | Ring, Back-up | |
| 16 | Use Item 40 | 2 | Seal | |
| 17 | Use Item 40 | 2 | Ring, Lock | |
| 18 | 2220886 | 1 | Plug, O-Ring | |
| 19 | 2220885 | 2 | Plug, O-Ring | |
| 20 | 1683061 | 1 | Head | |
| 21 | 3760370 | 1 | Ring, Washer | |
| 22 | 3340834 | 1 | Pad, Support | |
| 23 | 3340833 | 1 | Pad, Support | |
| 24 | 4711600 | 10 | Flatwasher 3/8" Narrow | |
| 25 | 0641552 | 3 | Bolt 5/16"-18NC x 6 1/2" | |
| 26 | 3271605 | 2 | Locknut 3/8"-16NC | |
| 27 | 3931720 | 2 | Capscrew 7/16"-14NC x 1 1/4" | |
| 28 | 0100038 | A/R | Primer, Locking | |
| 29 | 0100011 | A/R | Compound, Locking | |
| 30 | 2220883 | 1 | Plug, O-Ring | |
| 31 | Not Used | | | |
| 32 | 4641032 | 1 | Valve Assembly (No serviceable parts - sold as assembly only) | |
| 32A | 7024397 | 2 | O-Ring | |
| 33 | 3931448 | 4 | Capscrew 1/4"-20NC | |
| 34 | 1320011 | 1 | Clamp | |
| 35 | 3572604 | 1 | Plate, Proximity Switch Target | |
| 36 | 3572605 | 1 | Plate, Proximity Switch Mount | |
| 37 to 39 | Not Used | | | |
| 40 | 2901273 | 1 | Seal Kit (Includes Items 9-17) | |

SECTION 5 CYLINDER

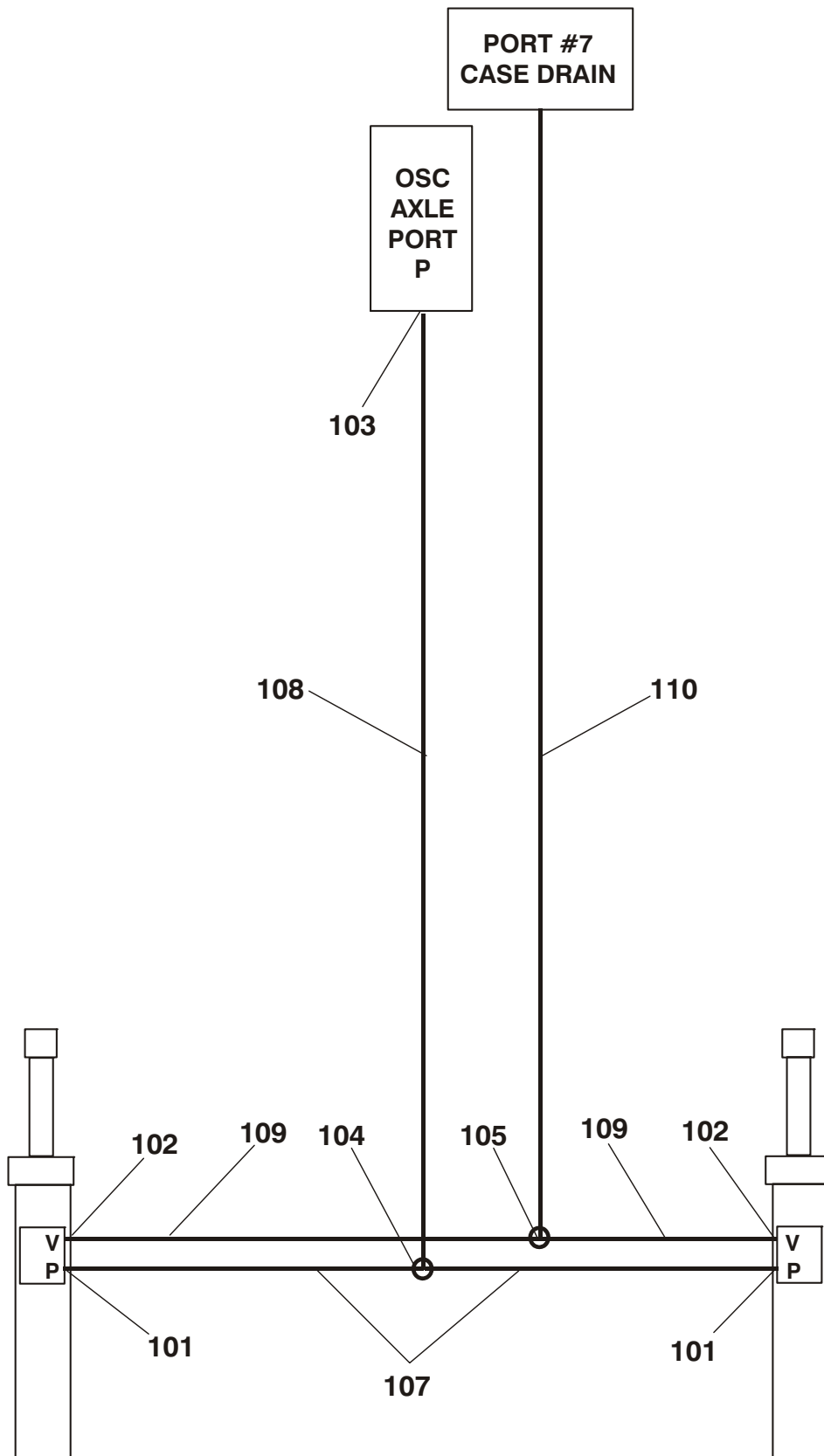
FIGURE 5-12. TELESCOPE CYLINDER ASSEMBLY - TOWER (CONTINUED)

| ITEM # | PART NUMBER | QTY. | DESCRIPTION | REV. |
|--------|-------------|------|-------------|------|
| | | | | |

SECTION 6 HYDRAULIC

SECTION 6 HYDRAULIC

FIGURE 6-1. AXLE LOCKOUT HYDRAULIC DIAGRAM



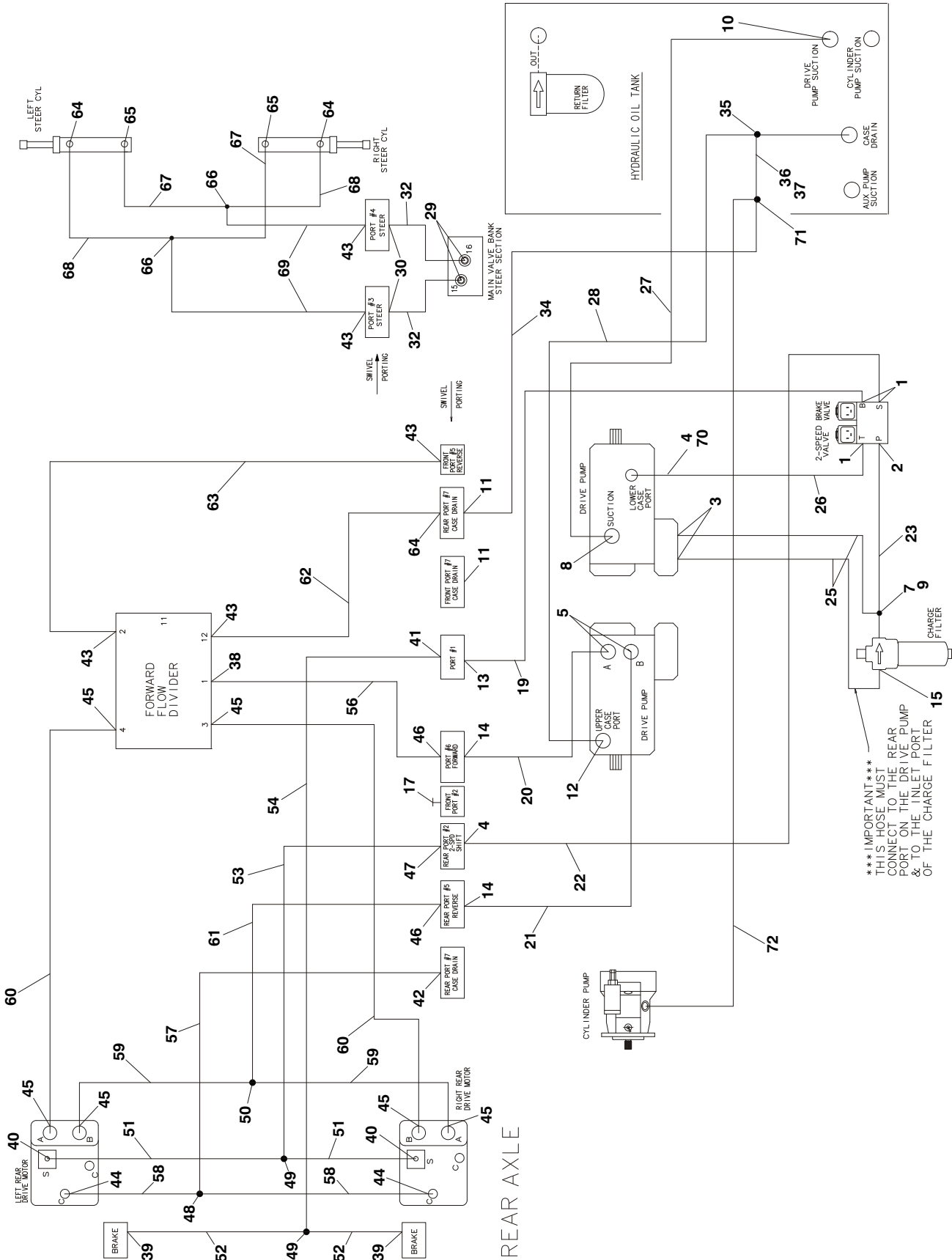
SECTION 6 HYDRAULIC

FIGURE 6-1. AXLE LOCKOUT HYDRAULIC DIAGRAM

| ITEM # | PART NUMBER | QTY. | DESCRIPTION | REV. |
|--------|-------------|------|---------------------------------------|------|
| | 2792648 | Ref. | AXLE LOCKOUT HYDRAULIC DIAGRAM | 3 |
| 101 | 2110406 | 2 | Fitting, Straight | |
| 102 | 2110606 | 2 | Fitting, Straight | |
| 103 | 2110408 | 1 | Fitting, Straight | |
| 104 | 2170504 | 1 | Fitting, Tee | |
| 105 | 2170506 | 1 | Fitting, Tee | |
| 106 | Not Used | | | |
| 107 | 2753629 | 2 | Hose | |
| 108 | 2753630 | 1 | Hose | |
| 109 | 2753624 | 2 | Hose | |
| 110 | 2753627 | 1 | Hose | |

SECTION 6 HYDRAULIC

FIGURE 6-2. DRIVE HYDRAULIC DIAGRAM - 2WD



SECTION 6 HYDRAULIC

FIGURE 6-2. DRIVE HYDRAULIC DIAGRAM - 2WD

| ITEM # | PART NUMBER | QTY. | DESCRIPTION | REV. |
|--------|---------------|------|--------------------------------------|------|
| | 2792712 | Ref. | DRIVE HYDRAULIC DIAGRAM - 2WD | 8/G |
| 1 | 2220466 | 3 | Fitting, 90° | |
| 2 | 2220940 | 1 | Fitting, 90° | |
| 3 | See Section 2 | 2 | Fitting, Straight | |
| 4 | 2220582 | A/R | Fitting, Straight | |
| 5 | See Section 2 | 2 | Fitting, 90° | |
| 6 | Not Used | | | |
| 7 | 2220618 | 1 | Fitting, Straight | |
| 8 | See Section 2 | 1 | Fitting, Straight | |
| 9 | 2220602 | 1 | Fitting, Tee | |
| 10 | 2220380 | 1 | Fitting, Straight | |
| 11 | 2220375 | 1 | Fitting, Straight | |
| 12 | See Section 2 | 1 | Fitting, Straight | |
| 13 | 2220468 | 1 | Fitting, Straight | |
| 14 | 2220377 | 2 | Fitting, Straight | |
| 15 | 2220596 | 1 | Fitting, 90° | |
| 16 | Not Used | | | |
| 17 | 2220237 | 2 | Fitting, Plug | |
| 18 | Not Used | | | |
| 19 | 2752997 | 1 | Hose | |
| 20 | 1001110032 | 1 | Hose | |
| 21 | 1001110033 | 1 | Hose | |
| 22 | 2751399 | 1 | Hose | |
| 23 | 2752434 | 1 | Hose | |
| 24 | Not Used | | | |
| 25 | 2752494 | 2 | Hose | |
| 26 | 2752453 | 1 | Hose | |
| 27 | 2752754 | 1 | Hose | |
| 28 | 2752673 | 1 | Hose | |
| 29 | 2220501 | 2 | Fitting, 45° | |
| 30 | 2220473 | 2 | Fitting, 90° | |
| 31 | Not Used | | | |
| 32 | 2752489 | 2 | Hose | |
| 33 | Not Used | | | |
| 34 | 2751500 | 1 | Hose | |
| 35 | 2220738 | 1 | Fitting, Straight | |
| 36 | 2220386 | 1 | Fitting, 90° | |
| 37 | 2220622 | 1 | Fitting, Reducer | |
| 38 | 2151616 | 1 | Fitting | |
| 39 | 2110404 | 2 | Fitting, Straight | |
| 40 | 2110406 | 2 | Fitting, Straight | |
| 41 | 2110408 | 1 | Fitting, Straight | |
| 42 | 2130808 | 1 | Fitting, 90° | |
| 43 | 2110606 | 6 | Fitting, Straight | |
| 44 | 2110808 | 2 | Fitting, Straight | |
| 45 | 2111212 | 6 | Fitting, Straight | |
| 46 | 2111616 | 2 | Fitting, Straight | |
| 47 | 2150406 | 1 | Fitting, 45° | |

SECTION 6 HYDRAULIC

FIGURE 6-2. DRIVE HYDRAULIC DIAGRAM - 2WD (CONTINUED)

| ITEM # | PART NUMBER | QTY. | DESCRIPTION | REV. |
|--------|---------------|------|------------------|------|
| 48 | 2170508 | 1 | Fitting, Tee | |
| 49 | 2170504 | 2 | Fitting, Tee | |
| 50 | 2170516 | 1 | Fitting, Tee | |
| 51 | 2754401 | 2 | Hose | |
| 52 | 2753725 | 2 | Hose | |
| 53 | 2753550 | 1 | Hose | |
| 54 | 2753622 | 1 | Hose | |
| 55 | Not Used | | | |
| 56 | 2753635 | 1 | Hose | |
| 57 | 2753685 | 1 | Hose | |
| 58 | 2754240 | 2 | Hose | |
| 59 | 2754238 | 2 | Hose | |
| 60 | 2753688 | 2 | Hose | |
| 61 | 2754402 | 1 | Hose | |
| 62 | 2754242 | 1 | Hose | |
| 63 | 2754243 | 1 | Hose | |
| 64 | 2130606 | 5 | Fitting, 90° | |
| 65 | 2150606 | 2 | Fitting, 45° | |
| 66 | 2170506 | 2 | Fitting, Tee | |
| 67 | 2753625 | 2 | Hose | |
| 68 | 2753626 | 2 | Hose | |
| 69 | 2753627 | 2 | Hose | |
| 70 | See Section 2 | 1 | Fitting, Reducer | |
| 71 | 2220385 | 1 | Fitting, Tee | |
| 72 | 2752934 | 1 | Hose | |

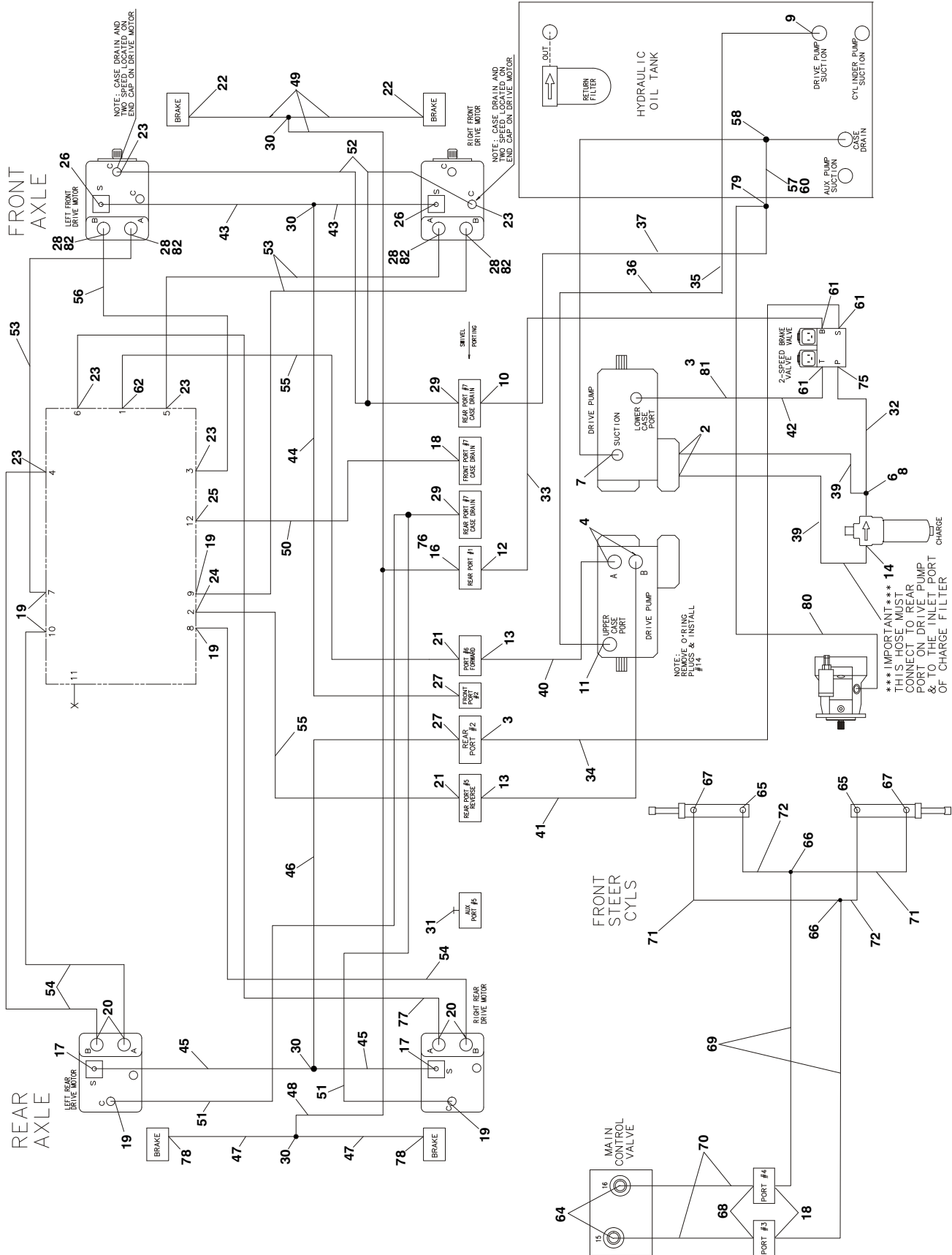
SECTION 6 HYDRAULIC

FIGURE 6-2. DRIVE HYDRAULIC DIAGRAM - 2WD (CONTINUED)

| ITEM # | PART NUMBER | QTY. | DESCRIPTION | REV. |
|--------|-------------|------|-------------|------|
| | | | | |

SECTION 6 HYDRAULIC

FIGURE 6-3. DRIVE HYDRAULIC DIAGRAM - 4WD/2WS



SECTION 6 HYDRAULIC

FIGURE 6-3. DRIVE HYDRAULIC DIAGRAM - 4WD/2WS

| ITEM # | PART NUMBER | QTY. | DESCRIPTION | REV. |
|--------|---------------|------|--------------------------------------|------|
| | | Ref. | DRIVE HYDRAULIC DIAGRAM - 4WD | |
| | 2792711 | Ref. | Without Arctic Package | 8/F |
| | 2792745 | Ref. | With Arctic Package | 7/F |
| 1 | Not Used | | | |
| 2 | See Section 2 | 2 | Fitting, Straight | |
| 3 | 2220582 | 1 | Fitting, Straight | |
| 4 | See Section 2 | 2 | Fitting, 90° | |
| 5 | Not Used | | | |
| 6 | 2220618 | 1 | Fitting, Straight | |
| 7 | See Section 2 | 1 | Fitting, Straight | |
| 8 | 2220602 | 1 | Fitting, Tee | |
| 9 | 2220380 | 1 | Fitting, Straight | |
| 10 | 2220375 | 1 | Fitting, Straight | |
| 11 | See Section 2 | 1 | Fitting, Straight | |
| 12 | 2220468 | 1 | Fitting, Straight | |
| 13 | 2220377 | 2 | Fitting, Straight | |
| 14 | 2220596 | 1 | Fitting, 90° | |
| 15 | Not Used | | | |
| 16 | 2170350 | 1 | Fitting, Tee | |
| 17 | 2110406 | 2 | Fitting, Straight | |
| 18 | 2110606 | 3 | Fitting, Straight | |
| 19 | 2110808 | 6 | Fitting, Straight | |
| 20 | 2110812 | 4 | Fitting, Straight | |
| 21 | 2111616 | 2 | Fitting, Straight | |
| 22 | 2130404 | 4 | Fitting, 90° | |
| 23 | 2130808 | 6 | Fitting, 90° | |
| 24 | 2131616 | 1 | Fitting, 90° | |
| 25 | 2130604 | 1 | Fitting, 90° | |
| 26 | 2130406 | 2 | Fitting, 90° | |
| 27 | 2150406 | 2 | Fitting, 45° | |
| 28 | 2150808 | 4 | Fitting, 45° | |
| 29 | 2170408 | 2 | Fitting, Tee | |
| 30 | 2170504 | 4 | Fitting, Tee | |
| 31 | 2220237 | 1 | Fitting, Plug | |
| 32 | 2752434 | 1 | Hose | |
| 33 | 2752997 | 1 | Hose | |
| 34 | 2751399 | 1 | Hose | |
| 35 | 2752754 | 1 | Hose | |
| 36 | 2752673 | 1 | Hose | |
| 37 | 2751500 | 1 | Hose | |
| 38 | Not Used | | | |
| 39 | 2752494 | 2 | Hose | |
| 40 | 1001110032 | 1 | Hose | |
| 41 | 1001110033 | 1 | Hose | |
| 42 | 2752453 | 1 | Hose | |
| 43 | | 2 | Hose Options: | |
| | 2753549 | | Without Arctic Package | |
| | 2754718 | | With Arctic Package | |

SECTION 6 HYDRAULIC

FIGURE 6-3. DRIVE HYDRAULIC DIAGRAM - 4WD/2WS (CONTINUED)

| ITEM # | PART NUMBER | QTY. | DESCRIPTION | REV. |
|----------|---------------|------|------------------------|------|
| 44 | 2753540 | 1 | Hose | |
| 45 | 2754401 | 2 | Hose | |
| 46 | 2753550 | 1 | Hose | |
| 47 | 2754337 | 2 | Hose | |
| 48 | 2754044 | 1 | Hose | |
| 49 | | 3 | Hose Options: | |
| | 2753622 | | Without Arctic Package | |
| | 2754719 | | With Arctic Package | |
| 50 | 2753626 | 1 | Hose | |
| 51 | 2753686 | 2 | Hose | |
| 52 | | 2 | Hose Options: | |
| | 2753628 | | Without Arctic Package | |
| | 2754720 | | With Arctic Package | |
| 53 | | 3 | Hose Options: | |
| | 2753970 | | Without Arctic Package | |
| | 2754743 | | With Arctic Package | |
| 54 | 2753971 | 3 | Hose | |
| 55 | 2753634 | 2 | Hose | |
| 56 | | 1 | Hose Options: | |
| | 2754040 | | Without Arctic Package | |
| | 2754744 | | With Arctic Package | |
| 57 | 2220386 | 1 | Fitting, 90° | |
| 58 | 2220738 | 1 | Fitting, Straight | |
| 59 | Not Used | | | |
| 60 | 2220622 | 1 | Fitting, Reducer | |
| 61 | 2220466 | 3 | Fitting, 90° | |
| 62 | 2151616 | 1 | Fitting, 45° | |
| 63 | Not Used | | | |
| 64 | 2220501 | 2 | Fitting, 45° | |
| 65 | 2150606 | 2 | Fitting, 45° | |
| 66 | 2170506 | 2 | Fitting, Tee | |
| 67 | 2130606 | 4 | Fitting, 90° | |
| 68 | 2220473 | 2 | Fitting, 90° | |
| 69 | 2753627 | 2 | Hose | |
| 70 | 2752489 | 2 | Hose | |
| 71 | 2753626 | 2 | Hose | |
| 72 | 2753625 | 2 | Hose | |
| 73 to 74 | Not Used | | | |
| 75 | 2220940 | 1 | Fitting, 90° | |
| 76 | 2220591 | 1 | Fitting, Reducer | |
| 77 | 2754338 | 1 | Hose | |
| 78 | 2110404 | 2 | Fitting, Straight | |
| 79 | 2220385 | 1 | Fitting, Tee | |
| 80 | 2752934 | 1 | Hose | |
| 81 | See Section 2 | 1 | Fitting, Reducer | |
| 82 | 2220811 | 4 | Fitting, Reducer | |

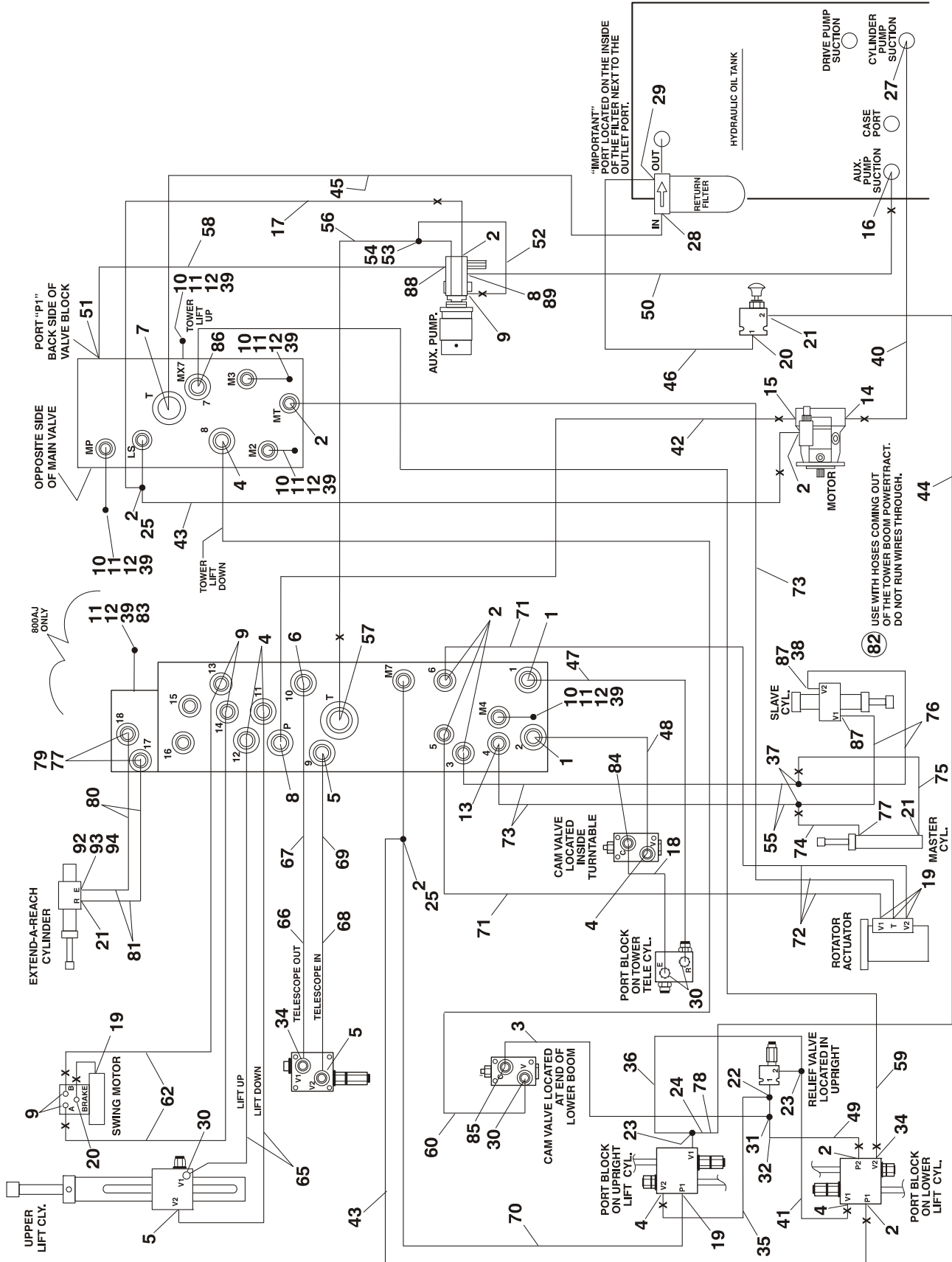
SECTION 6 HYDRAULIC

FIGURE 6-3. DRIVE HYDRAULIC DIAGRAM - 4WD/2WS (CONTINUED)

| ITEM # | PART NUMBER | QTY. | DESCRIPTION | REV. |
|--------|-------------|------|-------------|------|
| | | | | |

SECTION 6 HYDRAULIC

FIGURE 6-4. STANDARD HYDRAULIC DIAGRAM



SECTION 6 HYDRAULIC

FIGURE 6-4. STANDARD HYDRAULIC DIAGRAM

| ITEM # | PART NUMBER | QTY. | DESCRIPTION | REV. |
|--------|-------------|------|-----------------------------------|------|
| | | | STANDARD HYDRAULIC DIAGRAM | |
| | 2792365 | Ref. | 800A | 13/K |
| | 2792366 | Ref. | 800AJ | 16/O |
| 1 | 2220381 | 2 | Fitting, Straight | |
| 2 | 2220415 | A/R | Fitting, Straight | |
| 3 | 2753199 | 1 | Hose | |
| 4 | 2220373 | 6 | Fitting, Straight | |
| 5 | 2220500 | 3 | Fitting, 45° | |
| 6 | 2220947 | 1 | Fitting, Straight | |
| 7 | 2220376 | 1 | Fitting, Straight | |
| 8 | 2220593 | 2 | Fitting, Straight | |
| 9 | 2220371 | A/R | Fitting, Straight | |
| 10 | 2220873 | 4 | Fitting, Straight | |
| 11 | 2220428 | A/R | Fitting, Quick Disconnect | |
| 12 | 2220429 | A/R | Fitting, Dust Cap | |
| 13 | 2220502 | 1 | Fitting, 45° | |
| 14 | 2220737 | 1 | Split Flange Kit #24 | |
| 15 | 2220478 | 1 | Split Flange Kit #16 | |
| 16 | 2220451 | 1 | Fitting, Straight | |
| 17 | 2752453 | 1 | Hose | |
| 18 | 2753200 | 1 | Hose | |
| 19 | 2220466 | A/R | Fitting, 90° | |
| 20 | 2220582 | A/R | Fitting, Straight | |
| 21 | 2220473 | A/R | Fitting, 90° | |
| 22 | 2220602 | 1 | Fitting, Tee | |
| 23 | 2220999 | 2 | Fitting, Tee | |
| 24 | 2220619 | 1 | Fitting, Reducer | |
| 25 | 2220605 | 2 | Fitting, Tee | |
| 26 | Not Used | | | |
| 27 | 2220765 | 1 | Fitting, Straight | |
| 28 | 2220379 | 1 | Fitting, Straight | |
| 29 | 2220574 | 1 | Fitting, Straight | |
| 30 | 2220596 | A/R | Fitting, 90° | |
| 31 | 2220385 | 1 | Fitting, Tee | |
| 32 | 2220618 | 1 | Fitting, Reducer | |
| 33 | Not Used | | | |
| 34 | 2220852 | 2 | Fitting, Straight | |
| 35 | 2753197 | 1 | Hose | |
| 36 | 2753196 | 1 | Hose | |
| 37 | 2220490 | 2 | Fitting, Tee | |
| 38 | 4567139 | 1 | Tube | |
| 39 | 0100020 | A/R | Sealant, Pipe | |
| 40 | 2753216 | 1 | Hose | |
| 41 | 2753195 | 1 | Hose | |
| 42 | 2753231 | 1 | Hose | |
| 43 | 2753010 | 2 | Hose | |
| 44 | 2752468 | 1 | Hose | |
| 45 | 2752721 | 1 | Hose | |

SECTION 6 HYDRAULIC

FIGURE 6-4. STANDARD HYDRAULIC DIAGRAM (CONTINUED)

| ITEM # | PART NUMBER | QTY. | DESCRIPTION | REV. |
|--------|--------------|------|--|------|
| 46 | 2752438 | 1 | Hose | |
| 47 | 2753192 | 1 | Hose | |
| 48 | 2752494 | 1 | Hose | |
| 49 | 2753008 | 1 | Hose | |
| 50 | 2752671 | 1 | Hose | |
| 51 | 4640780 | 1 | Fitting, Check Valve | |
| 52 | 2753118 | 1 | Hose | |
| 53 | 2220775 | 1 | Fitting, 90° | |
| 54 | 2220635 | 1 | Fitting, Tee | |
| 55 | 2220609 | 2 | Fitting, Reducer | |
| 56 | 2752463 | 1 | Hose | |
| 57 | 2220577 | 1 | Fitting, Straight | |
| 58 | 2753118 | 1 | Hose | |
| 59 | 2752768 | 1 | Hose | |
| 60 | 2752930 | 1 | Hose | |
| 61 | Not Used | | | |
| 62 | 2752462 | 2 | Hose | |
| 63 | Not Used | | | |
| 64 | Not Used | | | |
| 65 | 2753189 | 2 | Hose | |
| 66 | 2752767 | 1 | Hose | |
| 67 | 2752766 | 1 | Hose | |
| 68 | 2753190 | 1 | Hose | |
| 69 | 2753191 | 1 | Hose | |
| 70 | 2752978 | 1 | Hose | |
| 71 | 2752585 | 2 | Hose | |
| 72 | | 3 | Hose Options: | |
| | 2753009 | | 800A | |
| | 2753006 | | 800AJ | |
| 73 | 2753007 | 3 | Hose | |
| 74 | 2753124 | 1 | Hose | |
| 75 | 2753125 | 1 | Hose | |
| 76 | | 2 | Hose Options: | |
| | 2753129 | | 800A | |
| | 2753126 | | 800AJ | |
| 77 | 2220501 | A/R | Fitting, 45° | |
| 78 | 4567757 | 1 | Tube | |
| 79 | | 2 | Fitting, Reducer Options: | |
| | Not Required | | 800A | |
| | 2220591 | | 800AJ | |
| 80 | | 2 | Hose Options: | |
| | Not Required | | 800A | |
| | 2753123 | | 800AJ | |
| 81 | | 2 | Hose Options: | |
| | Not Required | | 800A | |
| | 2753128 | | 800AJ | |
| 82 | 4100062 | 4 | Protection, Nylon Hose (24in/61cm per piece) | |
| 83 | 2220873 | 1 | Fitting (800AJ Only) | |
| 84 | 2220947 | 1 | Fitting, Straight | |

SECTION 6 HYDRAULIC

FIGURE 6-4. STANDARD HYDRAULIC DIAGRAM (CONTINUED)

| ITEM # | PART NUMBER | QTY. | DESCRIPTION | REV. |
|----------|-------------|------|---|------|
| 85 | 2221036 | 1 | Fitting, 90° | |
| 86 | 2220950 | 1 | Fitting, 45° | |
| 87 | 2220603 | 2 | Fitting, Straight | |
| 88 | 2220501 | 1 | Fitting | |
| 89 | 2220655 | 1 | Fitting, 90° | |
| 90 to 91 | Not Used | | | |
| 92 | 2180724 | 1 | Fitting, Modified | |
| 93 | 2180380 | 1 | Fitting, Orifice | |
| 94 | 0100019 | A/R | Compound, Locking | |
| | | 1 | ----- Hose Kit Options: 800A Hose Kit (Includes Items 72 & 76) Hose Kit (Includes Items 3, 35, 36, 41, 44, 49, 60, 65, 67, 69, 70, 71 & 73) 800AJ Hose Kit (Includes Items 72, 76 & 81) Hose Kit (Includes Items 3, 35, 36, 41, 44, 49, 60, 65, 67, 69, 70, 71 & 73) | |

SECTION 6 HYDRAULIC

FIGURE 6-5. HYDRAULIC DIAGRAM LIST

| ITEM # | PART NUMBER | QTY. | DESCRIPTION | REV. | |
|--------|------------------|------|---|--|--|
| | | Ref. | Note: Diagrams with asterisk (*) are shown in the preceding pages. Information on diagrams not shown are available from JLG Service/Parts Departments. | | |
| | 2792648/1283387* | Ref. | Axle Lockout Hydraulic Diagram (Machines with Oscillating Axle) | | |
| | 2792712* | Ref. | Drive Hydraulic Diagrams: 2WD/2WS Machines | | |
| | 2792711* | Ref. | | 4WD/2WS Machines | |
| | 2792745* | Ref. | | 4WD/2WS Machines (With Arctic Package) | |
| | 2792710 | Ref. | | 4WD/4WS Machines | |
| | 1001106992 | Ref. | | 4WD/4WS Machines (With Arctic Package) | |
| | 1001108701 | Ref. | | Oil Cooler Hydraulic Schematic Deutz Engine | |
| | 1283309 | Ref. | GM Engine | | |
| | | Ref. | Standard Hydraulic Diagrams: | | |
| | 2792365* | Ref. | 800A | | |
| | 2792366* | Ref. | 800AJ | | |
| | 2792629 | Ref. | Standard Hydraulic Schematic | | |
| | 2792700/1283387 | Ref. | Tow Bar Hydraulic Diagram | | |

SECTION 7 ELECTRICAL

SECTION 7 ELECTRICAL

FIGURE 7-1. ELECTRICAL DIAGRAM LIST

| ITEM # | PART NUMBER | QTY. | DESCRIPTION | REV. |
|--------|-------------|------|--|------|
| | | Ref. | Note: Diagrams with asterisks (*) are shown in the following pages. Diagrams not shown are available from the JLG Service Department. | |
| | 1282571 | Ref. | COLD WEATHER START ELECTRICAL DIAGRAM | |
| | 4933307 | Ref. | DRIVE/STEER CUT-OUT ELECTRICAL DIAGRAMS | |
| | | Ref. | GENERATOR ELECTRICAL DIAGRAMS | |
| | | | 2500W | |
| | | | Caterpillar & Deutz Engines | |
| | 1001112588 | Ref. | 60Hz | |
| | 1001112743 | Ref. | 50Hz | |
| | 4933350 | Ref. | GM Engines | |
| | | Ref. | 7500W Options: | |
| | 1001112586 | Ref. | Caterpillar & Deutz Engines | |
| | 4933349 | Ref. | GM Engines | |
| | 1001098508 | Ref. | GLOW PLUG DIAGRAM | |
| | 4923379 | 1 | Harness | |
| | 4933231 | Ref. | LIGHTS ELECTRICAL DIAGRAMS | |
| | 4922643 | 1 | Harness (Located in Ground Console Box) | |
| | 3740049 | 1 | Relay | |
| | 4933218 | Ref. | PLATFORM SOFT TOUCH SYSTEM ELECTRICAL DIAGRAM | |
| | | Ref. | PLATFORM WORKLIGHTS ELECTRICAL DIAGRAMS | |
| | 0273484 | Ref. | 800A | |
| | 0273485 | Ref. | 800AJ | |
| | 0274207 | Ref. | SLOPE SENSOR ELECTRICAL DIAGRAM | |
| | | Ref. | STANDARD ELECTRICAL DIAGRAMS: | |
| | 1001110323 | Ref. | Caterpillar Engine | |
| | 1001110322 | Ref. | Deutz Engine | |
| | 1001110321 | Ref. | GM Engine | |
| | 1001110310* | Ref. | STANDARD ELECTRICAL SCHEMATICS | |

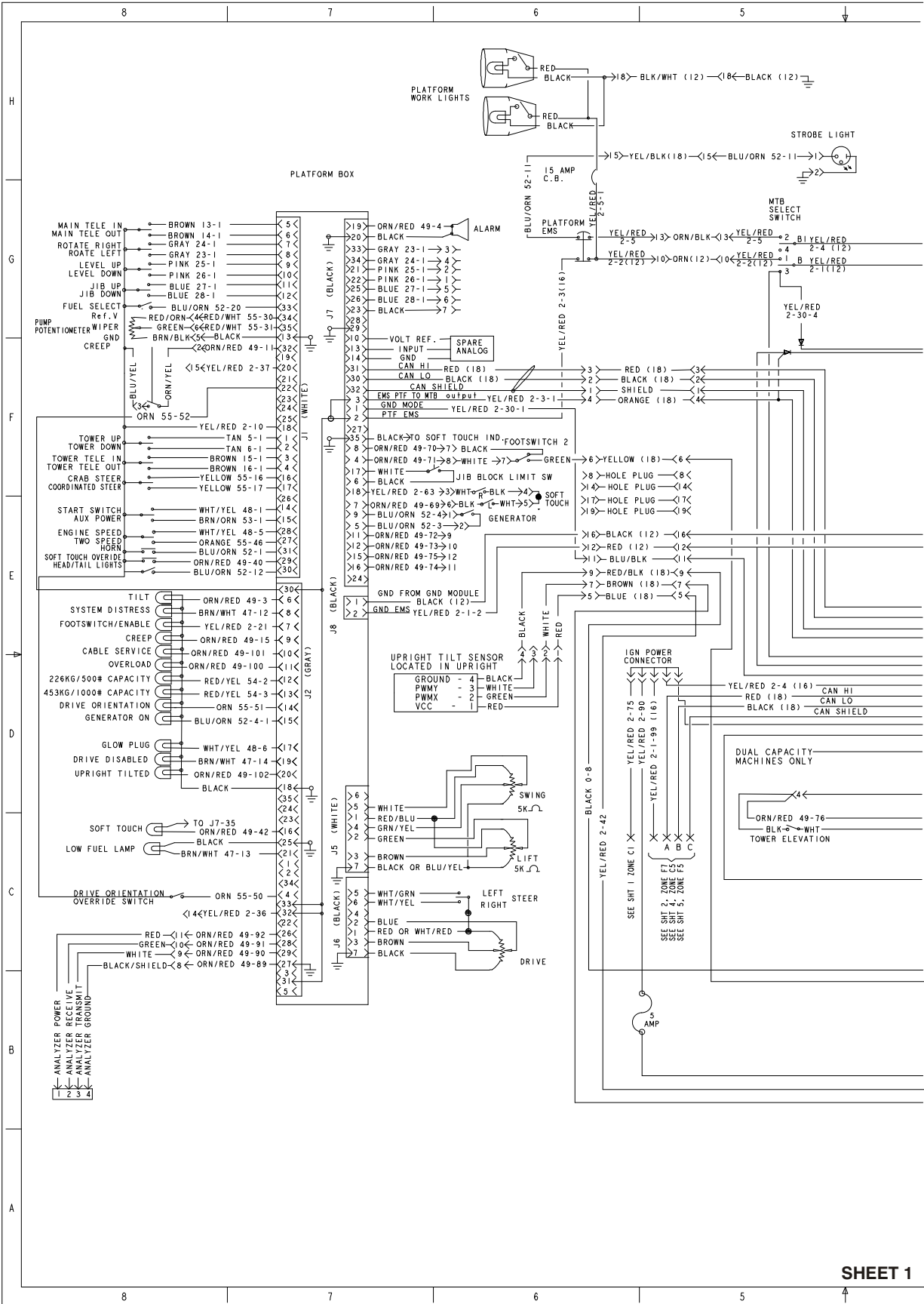
SECTION 7 ELECTRICAL

FIGURE 7-1. ELECTRICAL DIAGRAM LIST (CONTINUED)

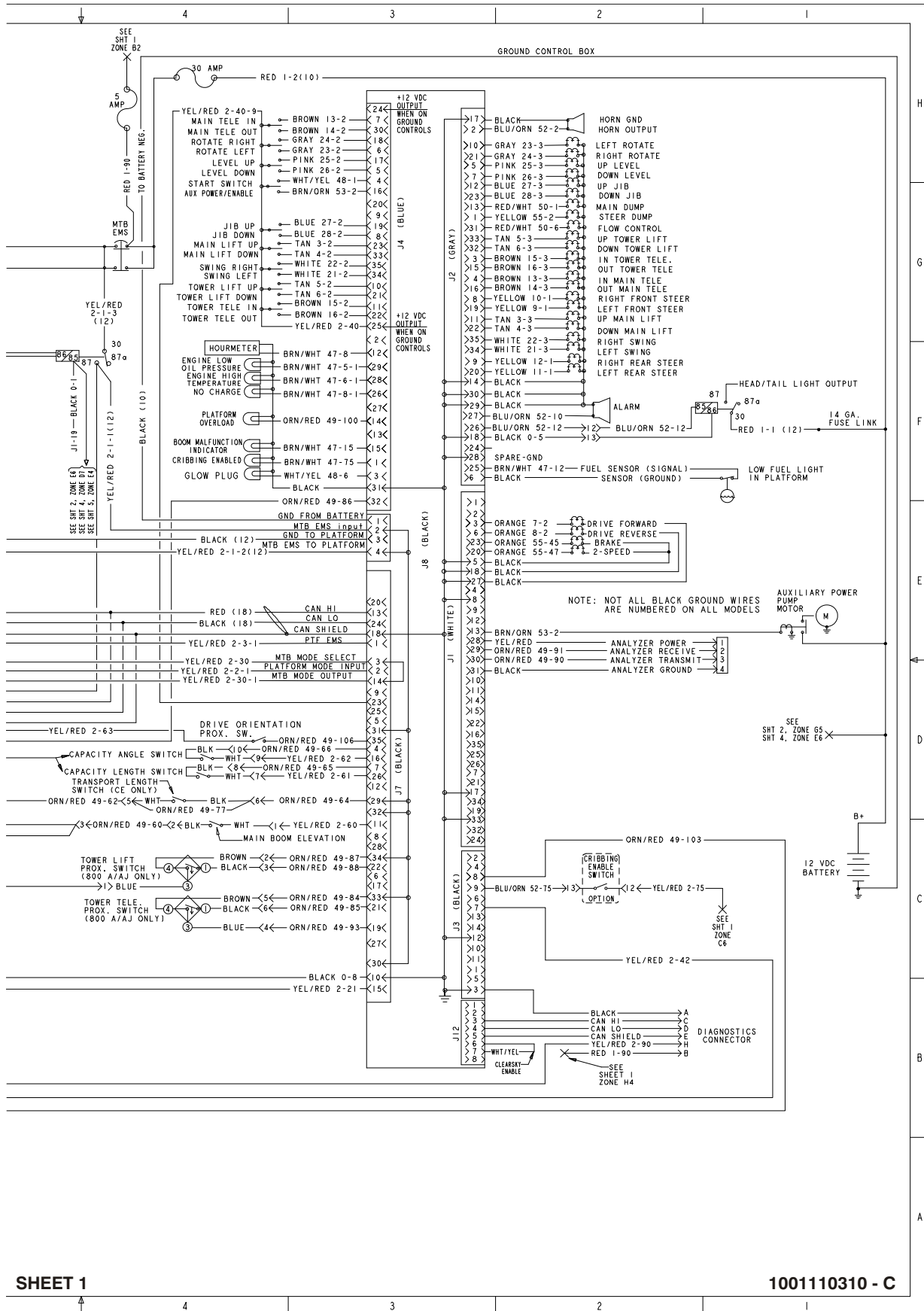
| ITEM # | PART NUMBER | QTY. | DESCRIPTION | REV. |
|--------|-------------|------|-------------|------|
| | | | | |

SECTION 7 ELECTRICAL

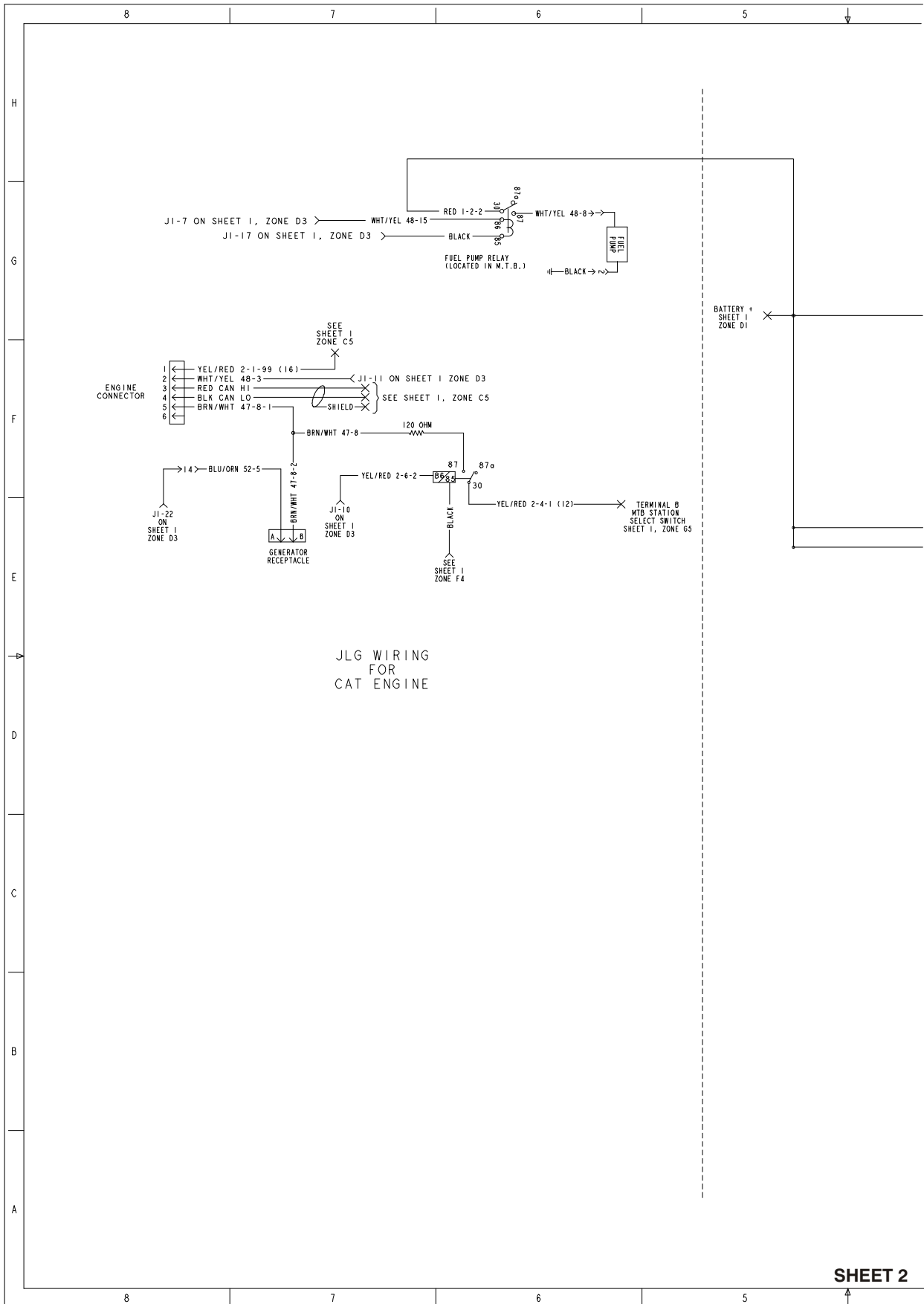
FIGURE 7-2. ELECTRICAL SCHEMATIC



SECTION 7 ELECTRICAL

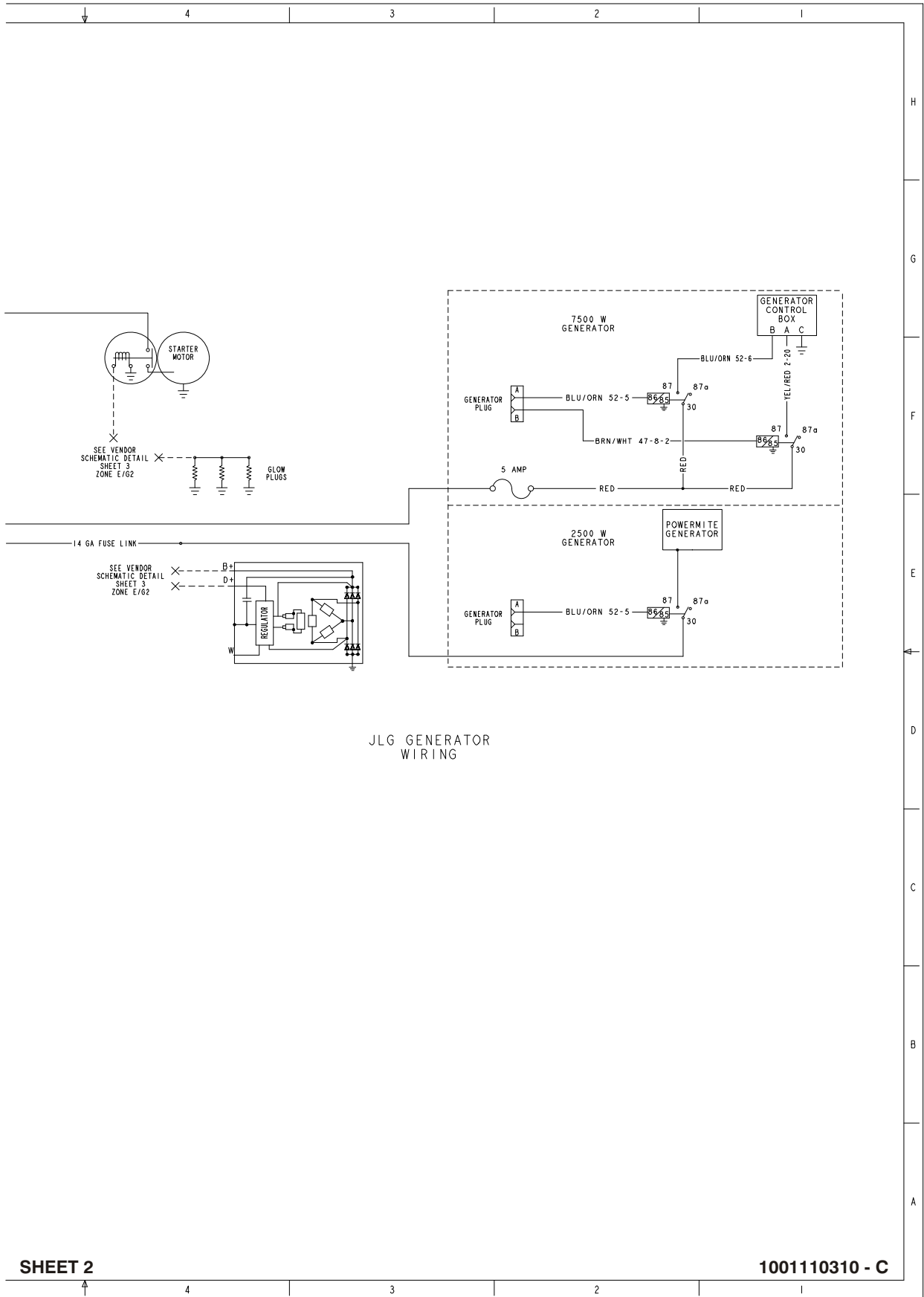


SECTION 7 ELECTRICAL



SHEET 2

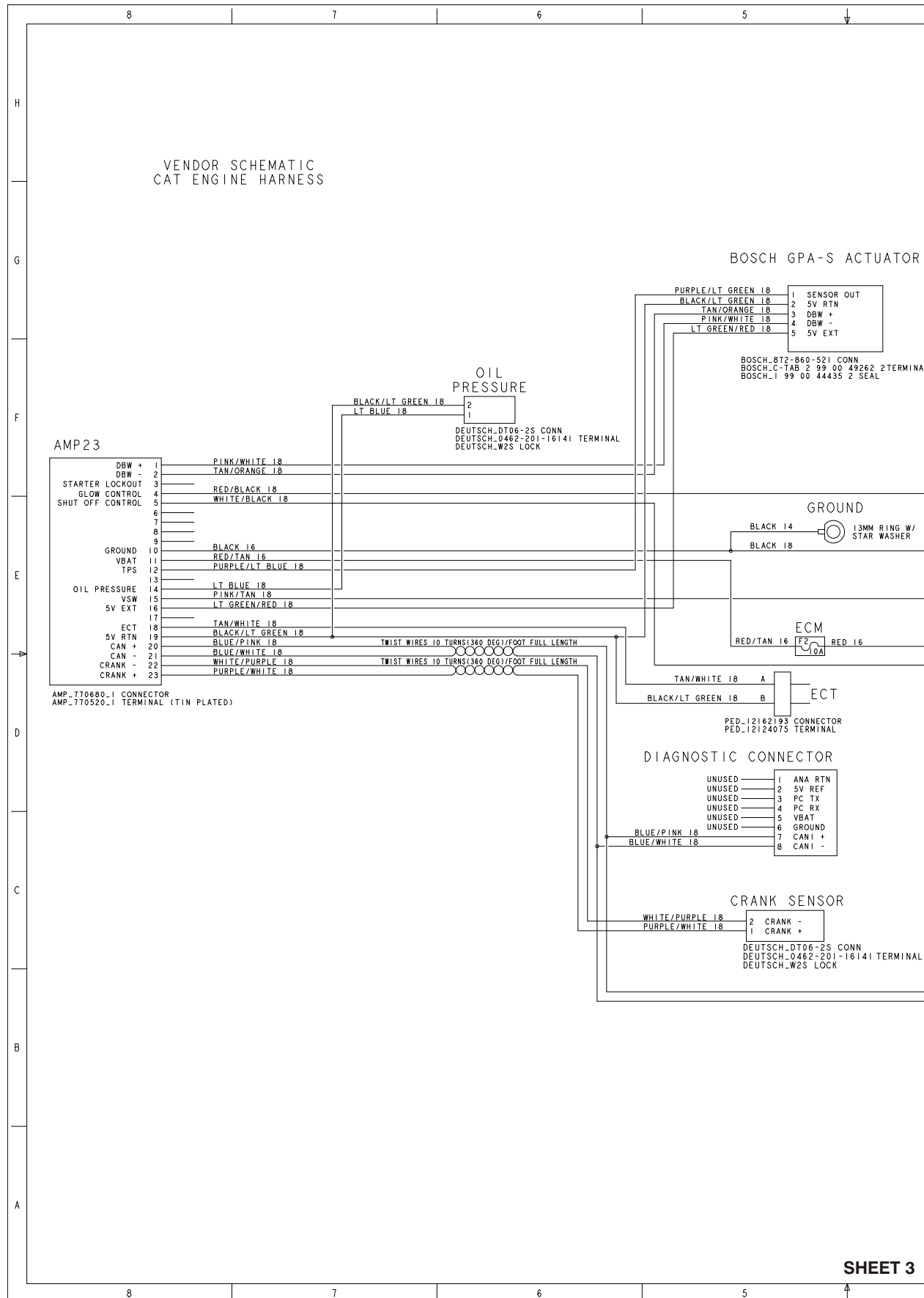
SECTION 7 ELECTRICAL



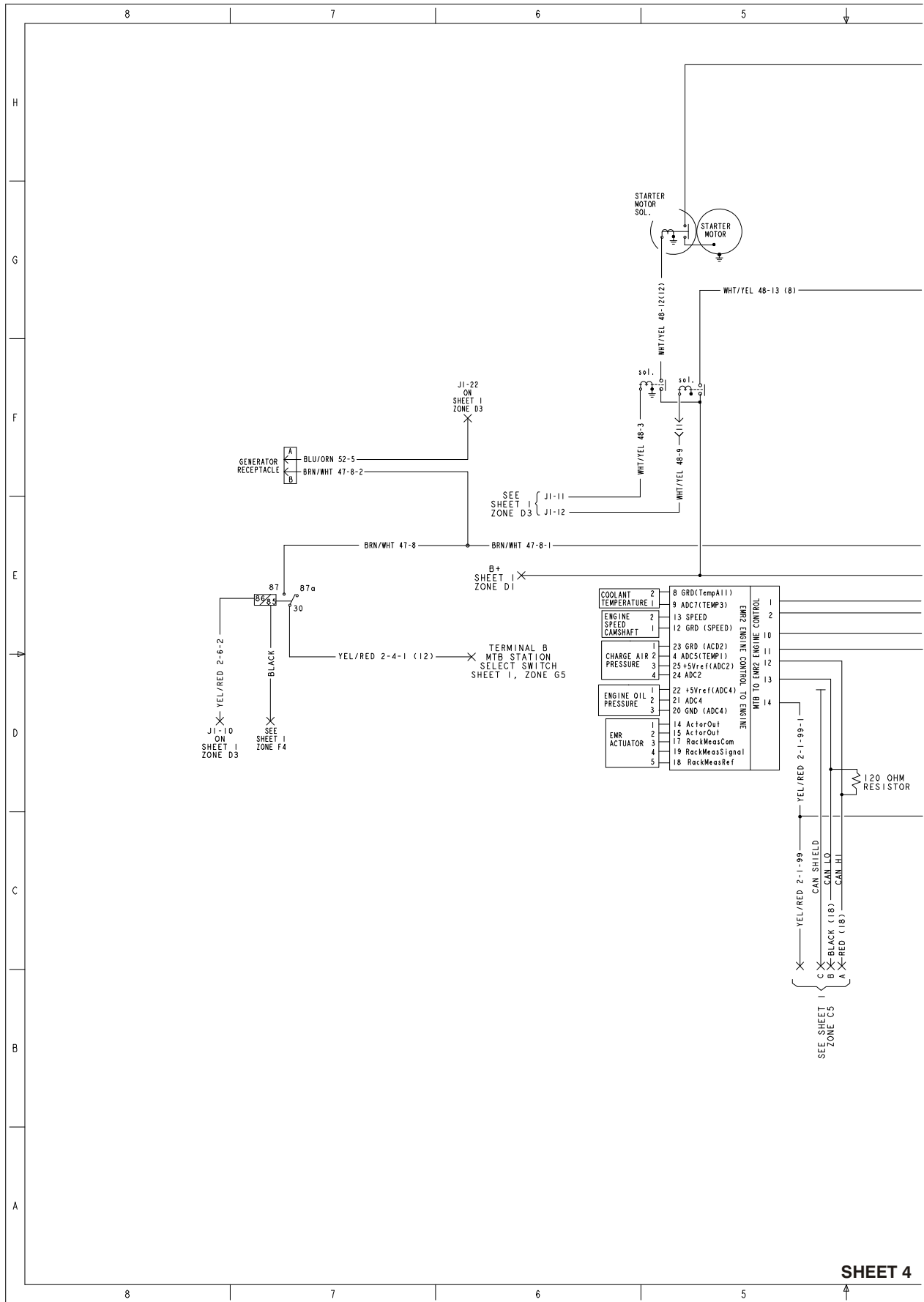
SHEET 2

1001110310 - C

SECTION 7 ELECTRICAL

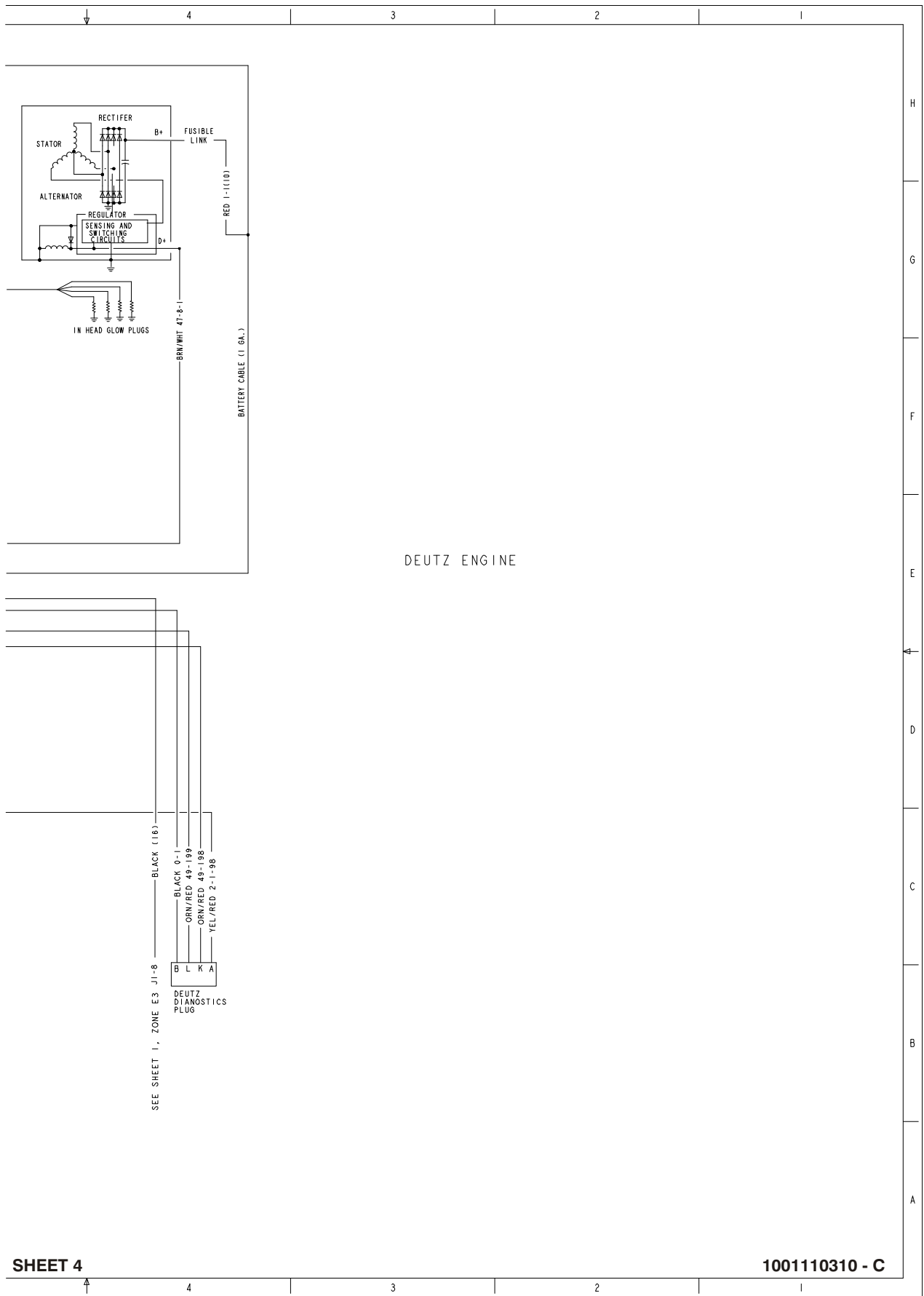


SECTION 7 ELECTRICAL



SHEET 4

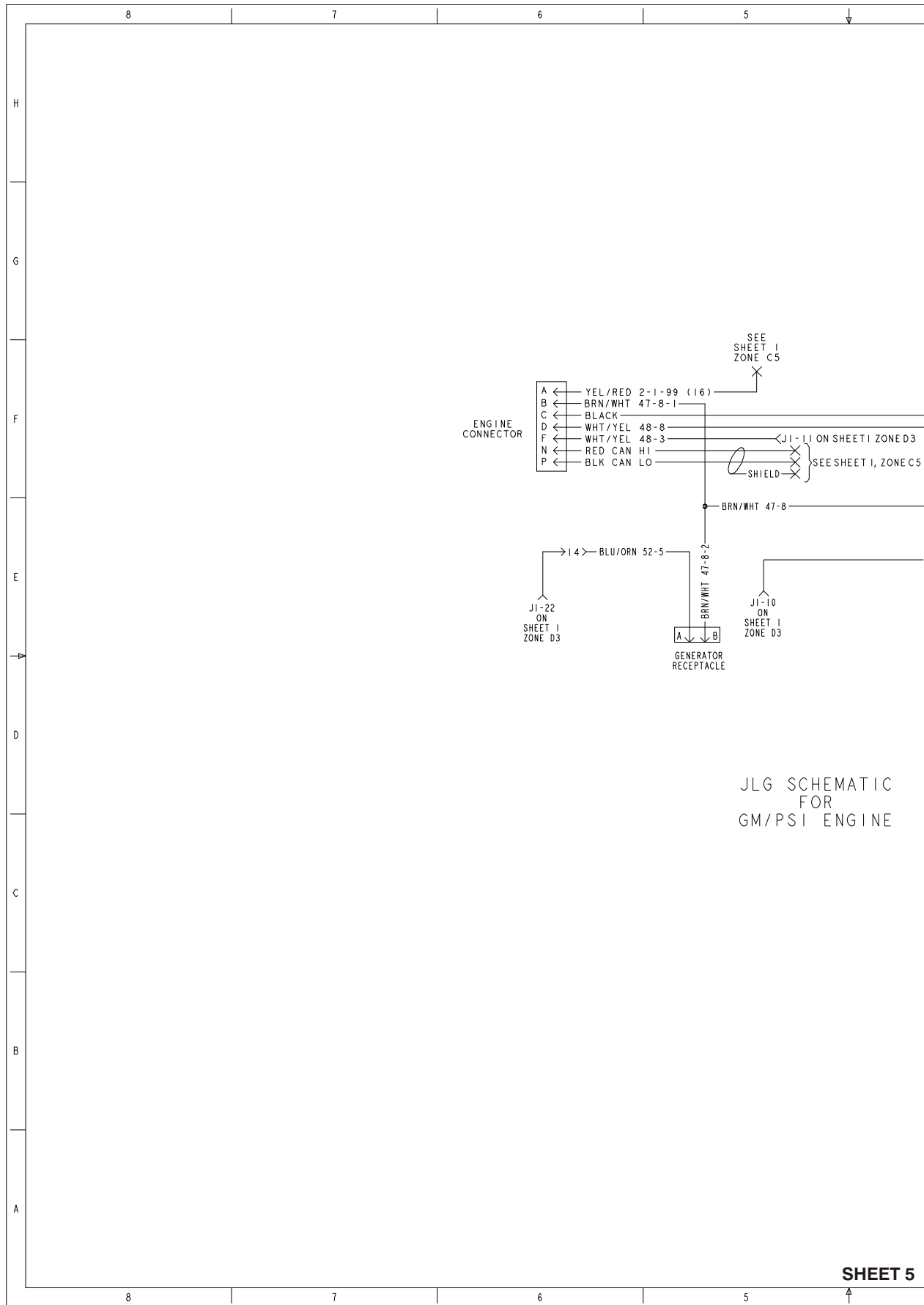
SECTION 7 ELECTRICAL



SHEET 4

100110310 - C

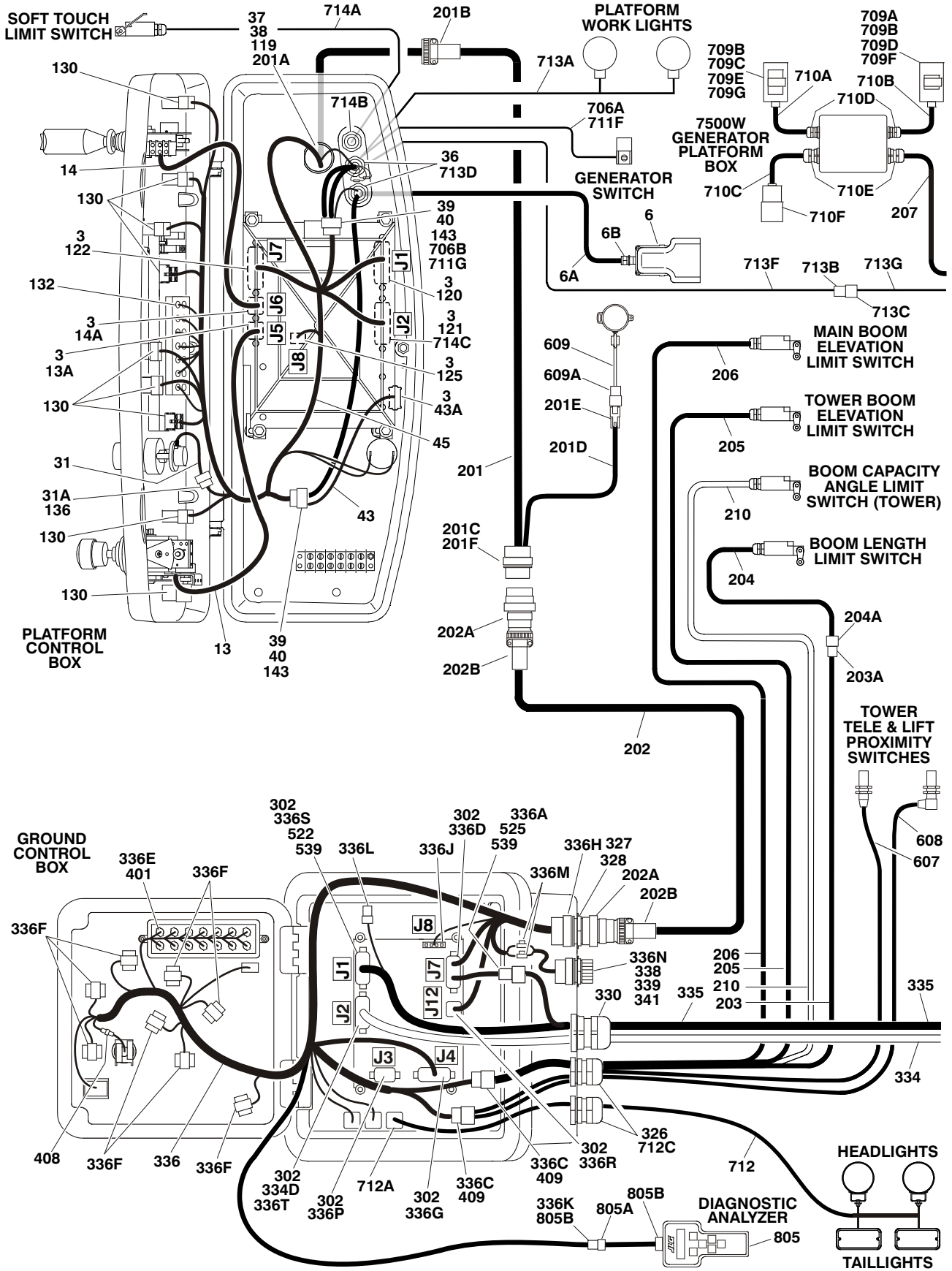
SECTION 7 ELECTRICAL



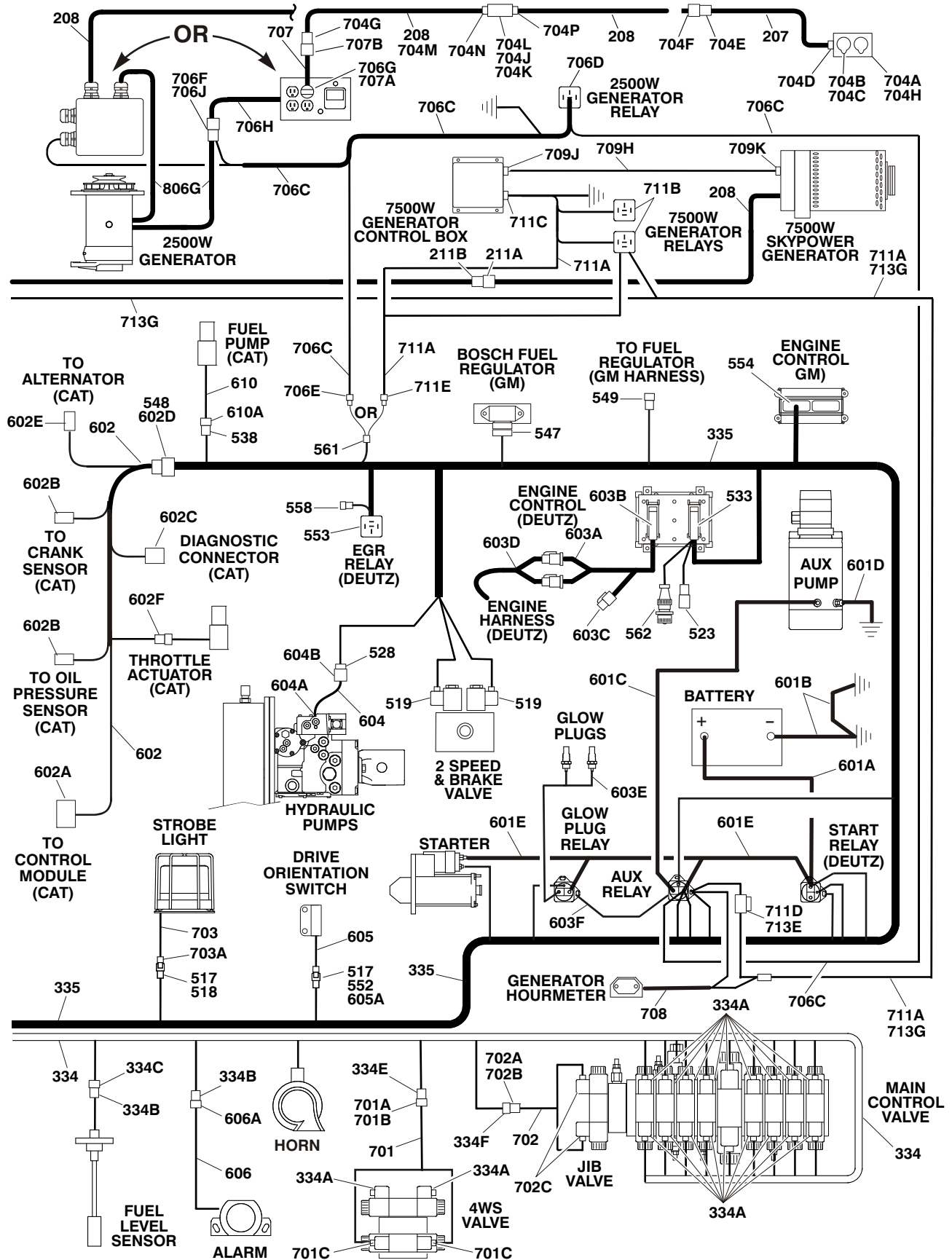
JLG SCHEMATIC
FOR
GM/PSI ENGINE

SECTION 7 ELECTRICAL

FIGURE 7-3. HARNESS COMPONENTS INSTALLATION



SECTION 7 ELECTRICAL



SECTION 7 ELECTRICAL

FIGURE 7-3. HARNESS COMPONENTS INSTALLATION

| ITEM # | PART NUMBER | QTY. | DESCRIPTION | REV. |
|------------|---------------|-----------|--|------|
| | | Ref. | PLATFORM BOX ASSEMBLY COMPONENTS | |
| | 100114448 | Ref. | USA Built Machines S/N 100140000 to S/N 03001433928 & China Built Machines S/N B300000100 to S/N B300000202 | C |
| | 100117428 | Ref. | USA Built Machines S/N 03001433928 to Present & China Built Machines S/N B300000202 to Present | B |
| 1 to2 | Not Used | | | |
| 3 | 0100048 | A/R | Grease, Dielectric | |
| 4 to 5 | Not Used | | | |
| 6 | | A/R | Footswitch Components: | |
| 6A | 1060918 | 7ft/2.13m | Cable, Electrical - 18/3 | |
| | 4460042 | 3 | Terminal, Ring | |
| | 4460226 | 2 | Socket, Female | |
| | 4460464 | 1 | Pin, Male (16 Gauge) | |
| 6B | 4460071 | 2 | Connector, Strain Relief | |
| 7 to 12 | Not Used | | | |
| 13 | Not Available | 1 | Controller Harness Assembly (Lift and Swing) | |
| 13A | 7022819 | 1 | Plug, Male - 8 Position (Natural) | |
| | 4460871 | 8 | Socket, Female | |
| 14 | Not Available | 1 | Controller Harness/Circuit Board Assembly (Drive and Steer) | |
| 14A | 7022825 | 1 | Plug, Male - 8 Position (Black) | |
| | 4460871 | 7 | Socket, Female | |
| 15 to 30 | Not Used | | | |
| 31 | Not Available | 1 | Controller Harness (Speed Control) | |
| 31A | 4460224 | 1 | Receptacle, Female - 6 Position | |
| | 4460226 | 6 | Socket, Female | |
| 32 to 35 | Not Used | | | |
| 36 | 4460428 | 2 | Connector, Strain Relief | |
| 37 | 4460470 | 1 | Nut, Terminal | |
| 38 | 4460471 | 1 | Lockwasher, Terminal | |
| 39 | 4460708 | 2 | Connector, Female 15 Position | |
| 40 | 4460905 | 5 | Seal, Plug | |
| 41 to 42 | Not Used | | | |
| 43 | 4922666 | 1 | Harness, Analyzer Cable | 2/B |
| | 4460226 | 4 | Socket, Female (Not Shown - Located at J2) | |
| 43A | 4460761 | 1 | Connector, Female - 4 Position | |
| | 4460227 | 4 | Pin, Male | |
| 44 | Not Used | | | |
| 45 | 1001107753 | 1 | Harness, Console Box (See Items 101-143 for Breakdown) | |
| | 1001107753 | Ref. | PLATFORM BOX HARNESS ASSEMBLY | C |
| 101 to 118 | Not Used | | | |
| 119 | 4460866 | 1 | Connector 19 Position | |
| | 4460464 | 7 | Pin, Male (16 Gauge) | |
| | 4460508 | 3 | Pin, Male (12 Gauge) | |
| 120 | 4460874 | 1 | Plug, Male 35 Position (Natural) | |
| | 4460871 | 29 | Socket, Female | |
| 121 | 4460875 | 1 | Plug, Male 35 Position (Gray) | |

SECTION 7 ELECTRICAL

FIGURE 7-3. HARNESS COMPONENTS INSTALLATION (CONTINUED)

| ITEM # | PART NUMBER | QTY. | DESCRIPTION | REV. |
|------------|-------------|------|---|------|
| | 4460871 | 24 | Socket, Female | |
| 122 | 4460873 | 1 | Plug, Male 35 Position (Black) | |
| | 4460871 | 26 | Socket, Female | |
| 123 to 124 | Not Used | | | |
| 125 | 4460879 | 1 | Plug, Male 2 Position | |
| | 4460887 | 2 | Terminal (12 Gauge) | |
| 126 to 129 | Not Used | | | |
| 130 | 4460418 | 9 | Connector 6 Position | |
| | 4460419 | 27 | Terminal, Female | |
| 131 | Not Used | | | |
| 132 | 4120035 | 13 | Base, Light | |
| | 4460634 | 13 | Terminal, (16 Gauge) | |
| | 4460635 | 13 | Terminal, (12 Gauge) | |
| | 2920129 | 13 | Lamp, Indicator | |
| 133 to 135 | Not Used | | | |
| 136 | 4460225 | 1 | Plug, Male 6 Position | |
| | 4460227 | 5 | Pin, Male | |
| 137 to 142 | Not Used | | | |
| 143 | 4460434 | 2 | Plug, Male 15 Position | |
| | 4460227 | 25 | Pin, Male | |
| | | Ref. | BOOM CABLES INSTALLATION | |
| | | Ref. | 800A | |
| | 0271374 | Ref. | All Specs Except Australian & CE Specs | F |
| | 0271375 | Ref. | CE Specs | E |
| | 0272429 | Ref. | ANSI, ANSI Export & CSA Specs (With 7500W Generator) (Sky Power) | E |
| | 0273431 | Ref. | Australian Specs (With 7500W Generator) (Sky Power) | B |
| | 0272430 | Ref. | CE Specs (With 7500W Generator) (Sky Power) | E |
| | 1001093748 | Ref. | ANSI, ANSI Export & CSA Specs (With Arctic Package) | A |
| | 1001091330 | Ref. | ANSI, ANSI Export & CSA Specs (With Arctic Package & 7500W Generator) (Sky Power) | C |
| | | Ref. | 800AJ | |
| | 0271376 | Ref. | All Specs Except Australian & CE Specs | 4/B |
| | 0273434 | Ref. | Australian Specs | 1/A |
| | 0271377 | Ref. | CE Specs | 4/C |
| | 0272431 | Ref. | ANSI, ANSI Export & CSA Specs (With 7500W Generator) (Sky Power) | 4/B |
| | 0273432 | Ref. | Australian Specs (With 7500W Generator) (Sky Power) | 2 |
| | 0272432 | Ref. | CE Specs (With 7500W Generator) (Sky Power) | 4 |
| | 0275204 | Ref. | ANSI, ANSI Export & CSA Specs (With Arctic Package) | 2 |
| | 1001092093 | Ref. | ANSI, ANSI Export & CSA Specs (With Arctic Package & 7500W Generator) (Sky Power) | 3 |
| | 1001116474 | Ref. | ANSI Spec (With David Clark Communication System & 7500W Generator) (Sky Power) (Note: Not Shown - Contact your JLG Parts Representative.) | 2 |
| 201 | | 1 | Harness Assembly - Main Boom (12/4 -18/8) Options: | |
| | 4922575 | | 800A | 5/E |
| | 1001091315 | | 800A (With Arctic Package) | C |

SECTION 7 ELECTRICAL

FIGURE 7-3. HARNESS COMPONENTS INSTALLATION (CONTINUED)

| ITEM # | PART NUMBER | QTY. | DESCRIPTION | REV. | |
|--------|--------------|------------|---|-------------------------|--|
| 201A | 4922582 | | 800AJ | F | |
| | 4923490 | | 800AJ (With Arctic Package) | 2/C | |
| | 1060896 | A/R | Cable, Electrical - 4 #12 AWG, 8 #18 AWG & 1 STP #18 AWG (Without Arctic Package) | | |
| | 4923462 | A/R | Cable, Electrical - 4 #12 AWG, 8 #18 AWG & 1 STP #18 AWG Options (With Arctic Package): | | |
| | | 67ft/20.4m | 800A (With Arctic Package) | | |
| | | 64ft/19.5m | 800AJ(With Arctic Package) | | |
| | | 0100009 | A/R | Sealant | |
| | | 4460865 | 1 | Connector - 19 Position | |
| | | 4460465 | 11 | Socket, Female | |
| | | 4460509 | 4 | Socket, Female | |
| 201B | 4460466 | 4 | Seal, Plug | | |
| 201C | 4460473 | 1 | Clamp. Cable | | |
| 201D | 4460866 | 1 | Connector - 19 Position | | |
| | 4460464 | 11 | Pin, Male (16 Gauge) | | |
| | 4460508 | 4 | Pin, Male (12 Gauge) | | |
| | 4460466 | 4 | Seal, Plug | | |
| 201E | 4923613 | 1 | Harness, Tilt Switch | C | |
| | 1060978 | 2ft/0.6m | Cable, Electrical - 18/3 | | |
| 201F | 1001097051 | 1 | Connector - 4 Position | | |
| | 1001097082 | 3 | Pin, Male (Gold) | | |
| 202 | 4460466 | 1 | Seal, Plug | | |
| | 4460464 | 3 | Pin, Male (16 Gauge) | | |
| 202A | | 1 | Harness Assembly - Tower Boom (12/4 - 18/8) Options: | | |
| | 4922576 | | Without Arctic Package | 4/D | |
| | 4923489 | | With Arctic Package | 1/A | |
| | 1060896 | 44ft/13.4m | Cable, Electrical - 4 #12 AWG, 8 #18 AWG & 1 STP #18 AWG (Without Arctic Package) | | |
| 202B | 4923462 | 44ft/13.4m | Cable, Electrical - 4 #12 AWG, 8 #18 AWG & 1 STP #18 AWG (With Arctic Package) | | |
| | 4460865 | 2 | Connector - 19 Position | | |
| | 4460465 | 22 | Socket, Female | | |
| | 4460509 | 8 | Socket, Female | | |
| 203 | 4460466 | 8 | Seal, Plug | | |
| | 4460473 | 2 | Clamp. Cable | | |
| 203A | | 1 | Harness Assembly - Tower Boom (18/2) Options: | | |
| | | | 800A | | |
| | Not Required | | Australian Specs (Without Arctic Package) | | |
| | 4922579 | | All Specs Except Australian Specs (Without Arctic Package) | | |
| | 1001091323 | | ANSI, ANSI Export & CSA Specs (With Arctic Package) | | |
| 203A | | | 800AJ | | |
| | 4922579 | | CE Specs | | |
| | 1060902 | 47ft/14.3m | Cable, Electrical - 18/2 (Without Arctic Package) | | |
| | 4923466 | 47ft/14.3m | Cable, Electrical - 18/2 (With Arctic Package) | | |
| | 4460465 | 2 | Socket, Female | | |
| | 4460891 | 1 | Connector, Terminal - 2 Position | | |

SECTION 7 ELECTRICAL

FIGURE 7-3. HARNESS COMPONENTS INSTALLATION (CONTINUED)

| ITEM # | PART NUMBER | QTY. | DESCRIPTION | REV. |
|--------|-------------------------|-----------|---|------|
| 204 | Not Required 4922868 | 1 | Harness Assembly - Main Boom (18/2) Options: 800A Australian Specs (Without Arctic Package) All Specs Except Australian Specs (Without Arctic Package) | |
| | 1001091319 | | ANSI, ANSI Export & CSA Specs (With Arctic Package) 800AJ CE Specs | |
| | 4922580 | | Cable, Electrical - 18/2 (Without Arctic Package) | |
| | 1060902 | 30ft/9.1m | Cable, Electrical - 18/2 (With Arctic Package) | |
| | 4923466 | 30ft/9.1m | | |
| 204A | 4460464 | 2 | Pin, Male | |
| | 4460897 | 1 | Plug, Terminal - 2 Position | |
| 205 | | 1 | Harness Assembly - Tower Boom (18/2) Options: | |
| | 4922578 | | 800A (Without Arctic Package) | |
| | 4923487 | | 800A (With Arctic Package) (With 7500W Generator) | |
| | 4922578 | | 800AJ (Without Arctic Package) | |
| | Use 4923487 | | 800AJ (With Arctic Package) (Without 7500W Generator) (was p/n 4923488) | |
| | 4923487 | | 800AJ (With Arctic Package) (With 7500W Generator) | |
| 206 | | 1 | Harness Assembly - Main Boom (18/2) Options: | |
| | 4922578 | | Without Arctic Package | |
| | 4923487 | | With Arctic Package | |
| 207 | | 1 | Harness Assembly - Main Boom Options: | |
| | 4922215 | | 800A: All Specs Except Australian & CE Specs (10/3) (Without Arctic Package) | |
| | 4922218 | | CE Spec (10/3) | |
| | 1001125127 | | All Specs (8/5) (Without Arctic Package & 7500W Generator) (Sky Power) | |
| | 1001091324 | | ANSI, ANSI Export & CSA Specs (10/3) (With Arctic Package) | |
| | Use 1001125127 | | ANSI, ANSI Export & CSA Specs (8/5) (With Arctic Package & 7500W Generator) (Sky Power) (was p/n4922773) | |
| | 4922216 | | 800AJ: All Specs Except Australian Specs (10/3) (Without Arctic Package) | |
| | 4922219 | | Australian & CE Specs (10/3) | |
| | Use 1001125126 | | All Specs (8/5) (With 7500W Generator) (Sky Power) (was p/n 4922775) | |
| | 4923485 | | ANSI, ANSI Export & CSA Specs (10/3) (With Arctic Package) | |
| 208 | | 1 | Harness Assembly - Tower Boom Options: | |
| | 4922217 | | All Specs Except Australian CE Specs (10/3) | |
| | 4922220 | | Australian & CE Specs (10/3) | |
| | Use 1001125125 | | All Specs (8/5) (Without Arctic Package & 7500W Generator) (Sky Power) (was p/n 4922774) | |
| | 4923486 | | ANSI, ANSI Export & CSA Specs (10/3) (With Arctic Package) | |
| | Use 1001125125 | | All Specs Except Australian & CE Specs (8/5) (With Arctic Package & 7500W Generator) (Sky Power) (was p/n 4922774) | |

SECTION 7 ELECTRICAL

FIGURE 7-3. HARNESS COMPONENTS INSTALLATION (CONTINUED)

| ITEM # | PART NUMBER | QTY. | DESCRIPTION | REV. |
|------------|-----------------------|------|--|------|
| 209 | 1320256 1001092384 | 1 | Clamp, Block Options (Not Shown-Located on back of T/T): Clamp, Block (All Except Machines With Arctic Package) With Arctic Package | B |
| 210 | 4922578 4923487 | 1 | Harness Assembly (18/2) (800A Only) Options: All Specs Except Australian & CE Specs (Without Arctic Package) ANSI, ANSI Export & CSA Specs (With Arctic Package) | |
| 211 | 0272433 | 1 | Cable Connector Installation (With 7500W Generator)(Sky Power) | |
| 211A | 4460959 | 1 | Connector, Male (With 7500W Generator) (Sky Power) | |
| | 1671093 | 1 | Cover, Male Connector (Optional) | |
| 211B | 4460960 | 1 | Connector, Female (With 7500W Generator) (Sky Power) | |
| | 1671092 | 1 | Cover, Female Connector (Optional) | |
| | | Ref. | GROUND CONTROL BOX COMPONENTS | |
| 301 | Not Used | | | |
| 302 | 0100048 | A/R | Grease, Dielectric | |
| 303 to 325 | Not Used | | | |
| 326 | 4460426 | 1 | Connector, Strain Relief | 1/A |
| 327 | 4460470 | 1 | Nut, Terminal | |
| 328 | 4460471 | 1 | Lockwasher, Terminal | |
| 329 | Not Used | | | |
| 330 | 4460526 | 1 | Connector, Strain Relief | |
| 331 to 333 | Not Used | | | |
| 334 | 4922557 | 1 | Valve Harness Assembly | |
| 334A | 4460880 | 19 | Connector, DIN | |
| 334B | 4460320 | 2 | Connector, Female- 2 Position | |
| | 4460267 | 7 | Pin, Male | |
| 334C | 4460424 | 1 | Connector, Male- 2 Position | |
| | 4460268 | 5 | Pin, Female | |
| 334D | 4460871 | 31 | Socket, Female | |
| 334E | 4460326 | 1 | Connector, Male - 3 Position | |
| | 4460267 | 7 | Pin, Male | |
| 334F | 4460445 | 1 | Connector, Female - 3 Position | |
| | 4460268 | 5 | Pin, Female | |
| 335 | | 1 | Engine Harness Assembly (See 501 to 562 for Breakdown) | |
| | 1001110324 | | Caterpillar Engine Machines | |
| | 1001110222 | | Deutz Engine Machines | |
| | 1001110221 | | GM Engine Machines | |
| 336 | 1001110225 | 1 | Ground Control Box Harness Assembly | C |
| 336A | 4460536 | 1 | Connector, Female 3 Position | |
| | 4460943 | 3 | Pin, Male | |
| 336B | 3990010 | 2 | Diode - 6 Amp (Not Shown) | |
| 336C | 4460434 | 2 | Plug, Male 15- Position | |
| | 4460227 | 22 | Pin | |
| 336D | 4460873 | 1 | Connector, 35 Position (Black) | |
| | 4460871 | 21 | Socket, Female | |
| | 4460905 | A/R | Seal, Plug | |

SECTION 7 ELECTRICAL

FIGURE 7-3. HARNESS COMPONENTS INSTALLATION (CONTINUED)

| ITEM # | PART NUMBER | QTY. | DESCRIPTION | REV. |
|------------|-------------|------|--|------|
| 336E | 4120035 | 7 | Base, Light | |
| | 4460634 | 7 | Terminal (16 Gauge) | |
| | 4460635 | 6 | Terminal (12 Gauge) | |
| 336F | 4460418 | 9 | Connector, Female- 6 Position | |
| | 4460419 | 27 | Socket, Female | |
| 336G | 4460876 | 1 | Connector, 35 Position (Blue) | |
| | 4460871 | 29 | Socket, Female | |
| | 4460905 | A/R | Seal, Plug | |
| 336H | 4460866 | 1 | Connector, Female - 19 Pin | |
| | 4460464 | 7 | Pin, Male (16 Gauge) | |
| | 4460508 | 3 | Pin, Male (12 Gauge) | |
| 336J | 4460878 | 1 | Housing, Terminal - 4 Position | |
| | 4460887 | 3 | Terminal (12 Gauge) | |
| 336K | 4460761 | 1 | Connector, Female 4- Position | |
| | 4460227 | 4 | Pin, Male | |
| 336L | 4460894 | 3 | Plug, Male - 6 Position | |
| | 4460465 | A/R | Socket, Female | |
| | 4460892 | 3 | Terminal, Buss Connector - 6 Position | |
| 336M | 8229242 | 2 | Fuse 5A | |
| | 2400060 | 2 | Holder, Fuse | |
| 336N | 1001112612 | 1 | Connector - 9 Position | |
| | 4460943 | 4 | Pin, Male | |
| 336P | 1001106339 | 1 | Connector, Male - 14 Position | |
| | 4460871 | 2 | Socket, Female | |
| | 4460905 | A/R | Plug, Seal | |
| 336R | 1001106340 | 1 | Connector, Male - 14 Position | |
| | 4460871 | 5 | Socket, Female | |
| 336S | 4460874 | 1 | Connector, Natural | |
| | 4460871 | 10 | Socket, Female | |
| | 4460905 | A/R | Plug, Seal | |
| 336T | 4460875 | 1 | Connector, Gray | |
| | 4460871 | 2 | Socket, Female | |
| | 4460905 | A/R | Plug, Seal | |
| 337 | | Ref. | Ground Control Box Wiring Diagram (Not Shown - See Items 401 to 409 for Breakdown) | |
| | 1001110323 | | Caterpillar Engine | |
| | 1001110322 | | Deutz Engine | |
| | 1001110321 | | GM Engine | |
| 338 | 4460471 | 1 | Lockwasher, Terminal | |
| 339 | 4460470 | 1 | Nut, Terminal | |
| 340 | Not Used | | | |
| 341 | 1001106736 | 1 | Cap, Dust | |
| | | Ref. | GROUND CONTROL BOX WIRING DIAGRAMS | |
| | 1001110323 | Ref. | Caterpillar Engine | B |
| | 1001110322 | Ref. | Deutz Engine | B |
| | 1001110321 | Ref. | GM Engine | A |
| 401 | 2920129 | A/R | Bulb, Light | |
| 402 to 407 | Not Used | | | |

SECTION 7 ELECTRICAL

FIGURE 7-3. HARNESS COMPONENTS INSTALLATION (CONTINUED)

| ITEM # | PART NUMBER | QTY. | DESCRIPTION | REV. |
|------------|-------------|------|---|------|
| 408 | 2400065 | 1 | Fuse, 30Amp | |
| | 2400066 | 1 | Fuse, Holder | |
| 409 | 4460708 | 2 | Receptacle, Female - 15 Position | |
| | 4460226 | A/R | Socket, Female | |
| | 4460905 | A/R | Plug, Seal | |
| | 4922637 | 1 | Harness, Jumper (Not Shown) | |
| | | Ref. | ENGINE HARNESS ASSEMBLY | |
| | 1001110324 | Ref. | Caterpillar Engine Machines | B |
| | 1001110222 | Ref. | Deutz Engine Machines | B |
| | 1001110221 | Ref. | GM Engine All Machines | A |
| 501 to 516 | Not Used | | | |
| 517 | 4460424 | 2 | Receptacle, Female - 2 Position | |
| 518 | 4460268 | A/R | Socket, Female | |
| 519 | 4460880 | 2 | DIN Connector without Diode | |
| 520 to 521 | Not Used | | | |
| 522 | 3990001 | 1 | Diode (Caterpillar Engines Only) | |
| 523 | 4461070 | 1 | Receptacle, Female With Resistor (3 Position) (Deutz Engine Only) | |
| | 4461095 | 1 | Plug, Male - 3 Position (Deutz Engine Only) | |
| | 4460944 | 3 | Socket, Female (Deutz Engine Only) | |
| 524 | Not Used | | | |
| 525 | 4460539 | 1 | Connector, Male - 3 Position | |
| | 4460944 | 3 | Socket, Female | |
| 526 to 527 | Not Used | | | |
| 528 | 4460460 | 1 | Plug, Male - 4 Position | |
| | 4460457 | 4 | Terminal, Female | |
| | 4460458 | 4 | Seal, Terminal | |
| 529 to 532 | Not Used | | | |
| 533 | 4461052 | 1 | Connector, Receptacle - 25 Position (Deutz Engine Only) | |
| | 4461005 | 5 | Terminal (Gold) (Deutz Engine Only) | |
| | 4461006 | 5 | Seal, Terminal (Deutz Engine Only) | |
| | 4461060 | 2 | Terminal (Tin) (Deutz Engine Only) | |
| | 4461054 | 2 | Seal, Terminal (Deutz Engine Only) | |
| | 4461053 | 1 | Cover, Plug (Deutz Engine Only) | |
| | 4461008 | 18 | Plug, Hole (Deutz Engine Only) | |
| 534 to 537 | Not Used | | | |
| 538 | 4460891 | 1 | Connector, Male - 2 Position (Caterpillar Engine Only) | |
| | 4460465 | 2 | Socket, Female | |
| 539 | 4460871 | A/R | Socket, Female | |
| | 4460226 | A/R | Socket, Female | |
| 540 to 546 | Not Used | | | |
| 547 | 4461121 | 1 | Plug, Male - 4 Position (GM Engine Only) | |
| | 4461122 | 4 | Socket, Female (GM Engine Only) | |
| | 4461123 | 4 | Seal, Terminal (GM Engine Only) | |
| 548 | 4460899 | 1 | Receptacle, Female - 6 Position (Caterpillar Engine Only) | |
| | 4460464 | 6 | Pin, Male (Caterpillar Engine Only) | |
| | 4460466 | 1 | Seal, Plug (Caterpillar Engine Only) | |

SECTION 7 ELECTRICAL

FIGURE 7-3. HARNESS COMPONENTS INSTALLATION (CONTINUED)

| ITEM # | PART NUMBER | QTY. | DESCRIPTION | REV. |
|------------|-------------|------|---|------|
| 549 | 4461124 | 1 | Receptacle, Female - 4 Position (GM Engine Only) | |
| | 4460693 | 4 | Pin, Male (GM Engine Only) | |
| | 4460608 | 4 | Seal, Terminal (GM Engine Only) | |
| | 4461161 | 1 | Lock, Terminal (GM Engine Only) | |
| 550 to 551 | Not Used | | | |
| 552 | 4460268 | 2 | Socket, Female | |
| 553 | 4460374 | 1 | Connector, Relay (Deutz Engine Only) | |
| | 4460375 | 4 | Terminal, Female (Deutz Engine Only) | |
| 554 | 4461109 | 1 | Plug, Male - 16 Position (GM Engine Only) | |
| | 4461111 | 7 | Pin, Male (GM Engine Only) | |
| | 4461113 | 7 | Seal, Terminal (GM Engine Only) | |
| | 4461222 | 9 | Plug, Terminal (GM Engine Only) | |
| 555 to 557 | Not Used | | | |
| 558 | 1001102290 | 1 | Receptacle, Female - 2 Position (Deutz Engine Only) | |
| | 1001102291 | 2 | Socket, Female (Deutz Engine Only) | |
| | 1001102304 | 2 | Seal, Terminal (Deutz Engine Only) | |
| 559 to 560 | Not Used | | | |
| 561 | 4461157 | 1 | Receptacle, Female - 2 Position | |
| | 4460979 | 2 | Pin, Male | |
| | 4460458 | 2 | Seal, Terminal | |
| 562 | 2902443 | 1 | Receptacle Kit (Deutz Engine Only) | |
| | 4461071 | 8 | Socket, Female (Gold) | |
| | 4461072 | 1 | Receptacle 8 Position with Mounting Flange | |
| | 4461073 | 1 | Cap, Dust | |
| | 4461074 | 1 | Shell | |
| | | Ref. | STANDARD HARNESS COMPONENTS | |
| 601 | | 1 | Battery Cable Kit Options: | A |
| | 1001112762 | | Caterpillar Engines | |
| | 2902401 | | Deutz Engines | |
| 601A | 2902533 | | GM Engines | |
| | 7027028 | 1 | Cable, Battery (Red) Options: | |
| | | | Caterpillar Engines (Kit p/n 1001112762) (Includes Item 601E) | |
| 601B | 1001116288 | | Deutz Engines (Kit p/n 2902401) (Includes Item 601E) | |
| | 7027015 | | GM Engines (Kit p/n 2902533) | |
| | 7027029 | 1 | Cable, Battery (Black) Options: | |
| 601C | 7027004 | | Caterpillar Engines (Kit p/n 1001112762) | |
| | 7027018 | | Deutz Engines (Kit p/n 2902401) | |
| | | | GM Engines (Kit p/n 2902533) | |
| 601D | 7027030 | | Cable, Battery (Red) Options: | |
| | 7016824 | 1 | Caterpillar Engines (Kit p/n 1001112762) | |
| | 7016824 | | Deutz Engines (Kit p/n 2902401) | |
| 601D | 7016825 | | GM Engines (Kit p/n 2902533) | |
| | 7027031 | | Cable, Battery (Black) Options: | |
| | 7016825 | | Caterpillar Engines (Kit p/n 1001112762) | |
| | | | Deutz Engines (Kit p/n 2902401) | |
| | | | GM Engines (Kit p/n 2902533) | |

SECTION 7 ELECTRICAL

FIGURE 7-3. HARNESS COMPONENTS INSTALLATION (CONTINUED)

| ITEM # | PART NUMBER | QTY. | DESCRIPTION | REV. |
|--------|---|------|--|------|
| 601E | Use Item 601A Use Item 601A 7027017 | 1 | Cable, Battery (Red) Options: Caterpillar Engines (Kit p/n 1001112762) Deutz Engines (Kit p/n 2902401) GM Engines (Kit p/n 2902533) | |
| 602 | 1001112071 | 1 | Harness, Caterpillar Engine | B |
| 602A | 70020808 | 1 | Plug, Male 23 Position | |
| | 4460871 | 16 | Socket, Female | |
| 602B | 4460891 | 2 | Plug, Male 2 Position | |
| | 4460465 | 4 | Socket, Female | |
| 602C | Not Available | 1 | Connector 8 Position | |
| | Not Available | 2 | Terminal | |
| | Not Available | 1 | Lock | |
| | Not Available | 1 | Cap | |
| | 4460916 | 6 | Seal, Plug | |
| 602D | 4460894 | 1 | Plug, Male 6 Position | |
| | 4460465 | 5 | Socket, Female | |
| | 4460466 | 1 | Plug, Seal | |
| 602E | Not Available | 1 | Connector 3 Position | |
| | Not Available | 3 | Terminal | |
| 602F | Not Available | 1 | Connector 5 Position | |
| | Not Available | 5 | Terminal | |
| | Not Available | A/R | Seal | |
| 603 | Not Available | A/R | Deutz Engine Harness Components (Deutz Engine Machines Only) | |
| 603A | 7027796 | 1 | Deutz Engine Harness | |
| 603B | 4461052 | 1 | Receptacle, Female - 25 Position | |
| | 4461053 | 1 | Cover, Receptacle | |
| | 4461005 | 5 | Terminal | |
| | 4461006 | 5 | Seal | |
| | 4461060 | 2 | Terminal | |
| | 4461054 | 2 | Seal (Used with p/n 4461060) | |
| | 4461008 | 18 | Plug, Hole | |
| 603C | 7027793 | 1 | Plug-In, Connector | |
| 603D | 70001872 | 1 | Deutz Engine Harness (For other replacement parts refer to Deutz Engine dealer) | |
| 603E | 4923379 | 1 | Deutz Glow Plugs Harness | |
| 603F | 1060904 | 1 | Deutz Jumper Harness | |
| 604 | Not Available | 1 | Pump Harness | |
| 604A | 7007497 | 1 | Plug (Pump End) | |
| 604B | 7007498 | 1 | Plug (Engine Harness End) | |
| 605 | 4360517 | 1 | Proximity Harness (Includes Switch) | |
| 605A | 4460320 | 1 | Plug, Male 2 Position | |
| | 4460227 | 2 | Pin, Male | |
| 606 | 0257887 | 1 | Alarm Harness (Includes Alarm) | |
| 606A | 4460424 | 1 | Plug, Male - 2 Position | |
| | 4460268 | 2 | Socket, Female | |
| 607 | 4360498 | 2 | Proximity Switch Harness (Includes Switch) | |
| 608 | 4360499 | 2 | Proximity Switch Harness (Includes Switch) | |

SECTION 7 ELECTRICAL

FIGURE 7-3. HARNESS COMPONENTS INSTALLATION (CONTINUED)

| ITEM # | PART NUMBER | QTY. | DESCRIPTION | REV. |
|--------|---------------|------|--|------|
| 609 | 1001094400 | Ref | Tilt Sensor Harness (Includes Sensor) | C |
| 609A | 4461077 | 1 | Plug, Male 4 Position | |
| | 4460918 | 6 | Socket, Female (Gold) | |
| 610 | Not Available | 1 | Fuel Pump Harness (Caterpillar Engines Only) | |
| 610A | 4460897 | 1 | Receptacle, Female -2 Position (Caterpillar Engines Only) | |
| | 4460464 | 2 | Pin, Male (Caterpillar Engines Only) | |
| | | Ref. | OPTIONAL HARNESS COMPONENTS | |
| 701 | 4921928 | 1 | 4WS Valve Harness | E |
| 701A | 4460268 | 3 | Socket, Female | |
| 701B | 4460445 | 1 | Connector, Female - 3 Position | |
| 701C | 4460499 | 2 | Connector, DIN with Diode | |
| 702 | 4921927 | 1 | Jib Valve Harness (800AJ Only) | F |
| 702A | 4460326 | 1 | Plug, Male - 3 Position | |
| 702B | 4460267 | 3 | Pin, Male | |
| 702C | 4460499 | 2 | Connector, DIN with Diode | |
| 703 | 0272507 | 1 | Strobe Light Harness (Includes Strobe Light) | |
| 703A | 4460320 | 1 | Connector, Female - 2 Position | |
| | 4460267 | 2 | Pin, Male | |
| 704 | | | AC to Platform Receptacle Components Options: | |
| | 0272259 | Ref. | 110V/60Hz GFI Receptacle (All Specs Except Australian & CE Specs) | 3 |
| | 0256202 | Ref. | 110V/50Hz Receptacle (Plug & Receptacle Supplied Locally) (Australian, Brazilian, Latin America Specs) | 4 |
| | 0272260 | Ref. | 220V Receptacle All Specs Except ANSI Export, Australian & CE Specs) | 2 |
| | 0274619 | Ref. | Dual 110V GFI Receptacles (Note: Double qty listed for Dual Receptacles) | 2/B |
| | 0272433 | Ref. | Mid Boom Connection Only/No Receptacle (Includes Items 211A & 211B) | B |
| | | Ref. | CE Specs Options Only (CE Spec are USA Built Machines): Without Generator: | |
| | 0256202 | Ref. | 110/220V Receptacle (Locally Supplied Box & Receptacle) | 5 |
| | 1001091969 | Ref. | 110V with IEC Yellow Receptacle & Plug & Circuit Breaker | B |
| | 1001091970 | Ref. | 220V with IEC Blue Receptacle & Plug & Circuit Breaker | B |
| | 1001091971 | Ref. | 220V with CEE 7 Post Ground Receptacle & Plug & Circuit Breaker (70mm x 70mm Box) | B |
| | 1001091972 | Ref. | 220V with CEE 7 Side Ground Receptacle & Plug & Circuit Breaker (70mm x 70mm Box) | B |
| | 1001091973 | Ref. | 220V with CEE 7 Post Ground Receptacle & Plug & Circuit Breaker (2x4 Box) | C |
| | 1001091974 | Ref. | 220V with CEE 7 Side Ground Receptacle & Plug & Circuit Breaker (2x4 Box) | C |
| | 1001091975 | Ref. | 220V with AFSINT 107 Keyed Ground Receptacle & Plug & Circuit Breaker (2x4 Box) | C |
| | 1001092145 | Ref. | AC Cable With Breaker | D |
| | | | With Generator: | |
| | 1001100326 | Ref. | 110V with IEC Yellow Receptacle & Plug & Circuit Breaker | B |
| | 1001092145 | Ref. | 110V AC Cable With Breaker | D |
| | 1001100327 | Ref. | 220V with IEC Blue Receptacle & Plug & Circuit Breaker | B |

SECTION 7 ELECTRICAL

FIGURE 7-3. HARNESS COMPONENTS INSTALLATION (CONTINUED)

| ITEM # | PART NUMBER | QTY. | DESCRIPTION | REV. |
|--------|---------------|---------|---|------|
| 704A | Continued | | With Generator: | |
| | 1001100328 | Ref. | 220V with CEE 7 Post Ground Receptacle & Plug & Circuit Breaker (70mm x 70mm Box) | B |
| | 1001100329 | Ref. | 220V with CEE 7 Side Ground Receptacle & Plug & Circuit Breaker (70mm x 70mm Box) | B |
| | 1001100331 | Ref. | 220V with CEE 7 Post Ground Receptacle & Plug & Circuit Breaker (2x4 Box) | B |
| | 1001100333 | Ref. | 220V with CEE 7 Side Ground Receptacle & Plug & Circuit Breaker (2x4 Box) | B |
| | 1001100337 | Ref. | 220V with AFSINT 107 Keyed Ground Receptacle & Plug & Circuit Breaker (2x4 Box) | B |
| | 1001109558 | Ref. | 220V AC Cable With Breaker | A |
| | | 1 | Box, Switch Options: | |
| | | 0860038 | 0256202, 0272259, 0272260 & 0274619 Installations | |
| | | 0861781 | 1001091969, 1001091970, 1001100326 & 1001100327 Installations | |
| 704B | | 1 | 1001091971, 1001091972, 1001100328 & 1001100329 Installations | |
| | | | 1001091973, 1001091972, 1001091974, 1001091975, 1001100331, 1001100333 & 1001100337 Installations | |
| | Not Available | | Receptacle Options: | |
| | 4460346 | | 0256202 Installation (Purchase Locally) | |
| | 4460125 | | 0272259 & 0274619 Installations | |
| | 4461198 | | 0272260 Installation | |
| | 4461201 | | 1001091969 & 1001100326 Installations | |
| | 4461204 | | 1001091970 & 1001100327 Installations | |
| | 4461207 | | 1001091971 & 1001100328 Installations | |
| | 4461244 | | 1001091972 & 1001100329 Installations | |
| 704C | | 1 | 1001091973 & 1001100331 Installations | |
| | | | 1001091974 & 1001100333 Installations | |
| | | | 1001091975 & 1001100337 Installations | |
| | Not Available | | Shield, Cover Options: | |
| | 1001110873 | | 0256202 Installation (Purchase Locally) | |
| | 4060092 | | 0272259 & 0274619 Installations | |
| | 4461198 | | 0272260 Installation | |
| | 4461201 | | 1001091969 & 1001100326 Installations | |
| | 4461204 | | 1001091970 & 1001100327 Installations | |
| | 4461207 | | 1001091971 & 1001100328 Installations | |
| 704D | | 1 | 1001091972 & 1001100329 Installations | |
| | | | 1001091973 & 1001100331 Installations | |
| | | | 1001091974 & 1001100333 Installations | |
| | | | 1001091975 & 1001100337 Installations | |
| | | | Connector, Strain Relief Options: | |
| | 4460051 | | 0256202, 0272259 & 0272260 Installations | |
| | 4460071 | | 0274619 Installation | |
| | 1001101191 | | 1001091969, 1001091970, 1001091971, 1001101172, 1001091973, 1001091974, 1001091975, 1001100331, 1001100333 & 1001100337 Installations | |

SECTION 7 ELECTRICAL

FIGURE 7-3. HARNESS COMPONENTS INSTALLATION (CONTINUED)

| ITEM # | PART NUMBER | QTY. | DESCRIPTION | REV. |
|------------------|---------------|------|--|------|
| 704D (cont'd) | 1001101196 | 1 | Adapter, Strain Relief Connector Options: 1001091969, 1001091970, 1001091971, 1001091972, 1001100326, 1001100327, 1001100328 & 1001100329 Installations | |
| | 1001101197 | | 1001091973, 1001091974, 1001091975, 1001100331, 1001100333 & 1001100337 Installations | |
| 704E | 4460205 | 1 | Plug, Male Options: 0272259 & 0274619 Installations 0272260 Installation 1001092145, 1001109558 Installations | |
| | 4460233 | | | |
| | 4460709 | | | |
| 704F | 4460134 | 1 | Connector, Female Options: 0272259 & 0274619 Installations 0272260 Installation 1001092145, 1001109558 Installations | |
| | 4460701 | | | |
| | 4460710 | | | |
| 704G | Not Available | 1 | Plug, Male Options: 0256202 Installation 0272259 & 0274619 Installations 0272260 Installation 1001091969 Installation 1001091970 Installation 1001091971, 1001091973 Installations 1001091972, 1001091974 Installations 1001091975 Installation 1001100326, 1001100327, 1001100328, 1001100329, 1001100331, 1001100333 & 1001100337 Installations | |
| | 4460205 | | | |
| | 4460233 | | | |
| | 4461196 | | | |
| | 4461199 | | | |
| | 4461202 | | | |
| | 4461205 | | | |
| | 4461249 | | | |
| | Not Required | | | |
| 704H | 0903484 | 1 | Bracket, Receptacle Box Mounting (Required Only on CE Spec Installations Except 0256202 Installation) | |
| 704J | 0903697 | 1 | Bracket, Circuit Breaker Mounting (Required Only on CE Spec Installations Except 0256202 Installation) | |
| 704K | | A/R | Kit, Box and Breaker (Includes Items Indented Below and Items 704L, 704M, 704N & 704P) (Required on All CE Spec Installations Except 0256202 Installation): Without Generator With 110V Generator With 220V Generator Circuit Breaker Options: Without Generator (Note: For machines equipped with a single circuit breaker use both p/ns 1001109475 & 1001109482 as replacement.) Circuit Breaker, 16A Circuit Breaker, 30MA RCD With 110V Generator Circuit Breaker, 16A Circuit Breaker, 30MA RCD With 220V Generator Circuit Breaker, 10A Circuit Breaker, 30MA RCD Breaker Box Barrier, Terminal Block End | |
| | 1001109654 | | | A |
| | 1001109654 | | | A |
| | 1001109648 | | | A |
| | See Note | 1 | | |
| | 1001109475 | 1 | | |
| | 1001109482 | 1 | | |
| | 1001109475 | 1 | | |
| | 1001109482 | 1 | | |
| | 1001109477 | 1 | | |
| 1001109482 | 1 | | | |
| | 0861880 | 1 | Breaker Box | |
| | 4460956 | 1 | Barrier, Terminal Block End | |

SECTION 7 ELECTRICAL

FIGURE 7-3. HARNESS COMPONENTS INSTALLATION (CONTINUED)

| ITEM # | PART NUMBER | QTY. | DESCRIPTION | REV. |
|--------|-------------|-----------|--|------|
| 704L | 4460957 | 1 | Block, Terminal | |
| 704M | 1060908 | 12ft/3.6m | Cable, 12/3 Extension | |
| 704N | 1001097150 | 1 | Connector, Strain Relief | |
| 704P | 1001101191 | 1 | Connector, Strain Relief | |
| | | | ----- | |
| | | | Kit, Plug & Socket Options: | |
| | | | Without Generator: | |
| | 0275216 | | Receptacle Box Kit (110V IEC Yellow) (Includes Items 704A, 704B, 704C & 704G) (1001091969 Installation) | 1 |
| | 0275217 | | Receptacle Box Kit (220V IEC Blue) (Includes Items 704A, 704B, 704C & 704G) (1001091970 Installation) | 1 |
| | | | Kit, Plug & Socket Options (cont'd): | |
| | 0275218 | | Receptacle Box Kit (220V CEE 7 Post Ground) (Includes Items 704A, 704B, 704C & 704G) (1001091971 Installation) | 1 |
| | 0275219 | | Receptacle Box Kit (220V CEE 7 Side Ground) (Includes Items 704A, 704B, 704C & 704G) (1001091972 Installation) | 1 |
| | 0275452 | | Receptacle Box Kit (220V CEE 7 Post Ground) (Includes Items 704A, 704B, 704C & 704G) (1001091973 Installation) | 1 |
| | 0275453 | | Receptacle Box Kit (220V CEE 7 Side Ground) (Includes Items 704A, 704B, 704C & 704G) (1001091974 Installation) | 1 |
| | 0275454 | | Receptacle Box Kit (220V AFSINT 107 Keyed Ground) (Includes Items 704A, 704B, 704C & 704G) (1001091975 Installation) | 1 |
| | | | With Generator: | |
| | 1001100341 | | Receptacle Box Kit (110V IEC Yellow) (Includes Items 704A, 704B, 704C & 704G) (1001100326 Installation) | 2 |
| | 1001100342 | | Receptacle Box Kit (220V IEC Blue) (Includes Items 704A, 704B, 704C & 704G) (1001100327 Installation) | 2 |
| | 1001100343 | | Receptacle Box Kit (220V CEE 7 Post Ground) (Includes Items 704A, 704B, 704C & 704G) (1001100328 Installation) | 2 |
| | 1001100344 | | Receptacle Box Kit (220V CEE 7 Side Ground) (Includes Items 704A, 704B, 704C & 704G) (1001100329 Installation) | 2 |
| | 1001100345 | | Receptacle Box Kit (220V CEE 7 Post Ground) (Includes Items 704A, 704B, 704C & 704G) (1001100331 Installation) | 2 |
| | 1001100347 | | Receptacle Box Kit (220V CEE 7 Side Ground) (Includes Items 704A, 704B, 704C & 704G) (1001100333 Installation) | 3 |
| | 1001100346 | | Receptacle Box Kit (220V AFSINT 107 Keyed Ground) (Includes Items 704A, 704B, 704C & 704G) (1001100337 Installation) | 2 |
| 705 | Not Used | | | |
| 706 | | A/R | 2500W Generator Electrical Components | |
| | 1001112743 | | 50Hz (Caterpillar & Deutz Engines) | A |
| | 1001112588 | | 60Hz (Caterpillar & Deutz Engines) | A |
| | 4933350 | | 60Hz (GM Engine) | B |
| 706A | 4922641 | 1 | Harness - On/Off Switch | A |

SECTION 7 ELECTRICAL

FIGURE 7-3. HARNESS COMPONENTS INSTALLATION (CONTINUED)

| ITEM # | PART NUMBER | QTY. | DESCRIPTION | REV. |
|--------|----------------|----------|---|------|
| 706B | 4460226 | 2 | Socket, Female | |
| 706C | | 1 | Harness, Powermite Control Box to Relay Options: | |
| | 1001112589 | | Caterpillar & Deutz Engines | A |
| | 4923445 | | GM Engine | A |
| 706D | 4460374 | 1 | Connector, Seal Relay | |
| | 4460705 | 4 | Terminal | |
| 706E | 4460742 | 1 | Connector, Male - 2 Position | |
| | 4460743 | 2 | Socket, Female | |
| | 4460458 | 2 | Seal | |
| 706F | 4460321 | 1 | Connector, Male - 4 Position (60Hz Only) | |
| | 4460906 | 4 | Socket, Female (60Hz Only) | |
| 706G | 4460027 | 1 | Receptacle, Twist Lock (110V Only) | |
| 706H | 7020193 | 1 | Harness, Generator Power | |
| 706J | 4460961 | 1 | Connector, Female - 4 Position | |
| | 4460705 | 4 | Pin, Male | |
| 707 | 4921829 | 1 | Generator to Rear of Boom Harness (110V) | |
| | 4921955 | 1 | Generator to Rear of Boom Harness (220V) | |
| | | Ref. | Note: Harness used to connect AC at platform harness to generator receptacle to power platform receptacle. | |
| | 1060494 | 6ft/1.8m | Cable, Electrical - 12/3 | |
| 707A | 4460205 | 1 | Plug, Male (110V) | |
| | 4460233 | 1 | Plug, Male (220V) | |
| 707B | 4460134 | 1 | Receptacle, Female (110V) | |
| | 4460701 | 1 | Receptacle, Female (220V) | |
| 708 | 1001094509 | 1 | Generator Hourmeter Harness | A |
| 709 | | Ref. | 7500W SkyPower Generator Installation | |
| | 1001115398 | Ref. | 60Hz Spec& Caterpillar Engine | A |
| | 1001115400 | Ref. | 50Hz Spec & Caterpillar Engine | A |
| | 1001115387 | Ref. | 60Hz Spec& Deutz Engine | A |
| | 1001115389 | Ref. | 50Hz Spec & Deutz Engine | A |
| | 0275257 | Ref. | 60Hz Spec & GM Engine | C |
| | | | Note: SkyPower generator is standard on ANSI & CSA Specs. Optional on All Other Specs. | |
| 709A | | 1 | Receptacle, Female Twist-Lock Options: | |
| | 4460958 | | 60Hz Spec | |
| | Not Available | | 50Hz Spec (Purchase Locally) | |
| 709B | | 2 | Gasket Options: | |
| | 3960422 | | 60Hz Spec | |
| | Not Available | | 50Hz Spec (Purchase Locally) | |
| 709C | | 1 | Cover, Receptacle Options: | |
| | 4060700 | | 60Hz Spec (Side Hinged) | |
| | 1001110873 | | 60Hz Spec (Top Hinged) | |
| | Not Available | | 50Hz Spec (Purchase Locally) | |
| 709D | | 1 | Cover, Receptacle Options: | |
| | Use 1001110872 | | 60Hz Spec (was p/n 4061043) | |
| | Not Available | | 50Hz Spec (Purchase Locally) | |
| 709E | | 1 | Receptacle Options: | |
| | 4460346 | | 60Hz Spec | |
| | Not Available | | 50Hz Spec (Purchase Locally) | |

SECTION 7 ELECTRICAL

FIGURE 7-3. HARNESS COMPONENTS INSTALLATION (CONTINUED)

| ITEM # | PART NUMBER | QTY. | DESCRIPTION | REV. |
|--------|---------------|------------|---|------|
| 709F | 4460051 | 1 | Connector, Strain Relief | |
| 709G | 4460071 | 1 | Connector, Strain Relief | |
| 709H | 4922925 | 1 | Harness, Generator | A |
| 709J | 4460225 | 1 | Plug, Male - 6 Position | |
| | 4460226 | 6 | Socket, Female | |
| 709K | Not Available | 1 | Plug, Male - 6 Position | |
| | Not Available | 6 | Socket, Female | |
| 710 | | Ref. | 7500W SkyPower Generator Junction Box Components | |
| | 0861542 | Ref. | 60Hz Spec | C |
| | 0861567 | Ref. | 50Hz Specs | B |
| 710A | | 2ft/.6m | Cable, Electrical 12/3 | |
| | 1060494 | | 60Hz Spec | |
| | Not Available | | 50Hz Spec (Purchase Locally) | |
| 710B | | 2.5ft/.76m | Cable, Electrical 10/3 | |
| | 1060708 | | 60Hz Spec | |
| | Not Available | | 50Hz Spec (Purchase Locally) | |
| 710C | 1060343 | 1.5ft/.46m | Cable, Electrical 10/4 (60Hz Spec Only) | |
| 710D | 4460425 | 2 | Connector, Strain Relief | |
| 710E | | A/R | Component Options: | |
| | 4460426 | 2 | Connector, Strain Relief (60Hz Spec Only) | |
| | 4460426 | 1 | Connector, Strain Relief (50Hz Spec Only) | |
| | 3520189 | 1 | Plug (50Hz Spec Only) | |
| 710F | 1671092 | 1 | Cover (60Hz Spec Only) | |
| | 4460963 | 1 | Connector (60Hz Spec Only) | |
| 711 | | Ref. | 7500W Generator Electrical Diagram Components | |
| | 1001112586 | Ref. | Caterpillar & Deutz Engine Machines | C |
| | 4933349 | | GM Engine Machines | 1/A |
| 711A | | 1 | Generator Harness Options: | |
| | 1001112587 | | Caterpillar & Deutz Engine Machines | A |
| | 4923420 | | GM Engine Machines | 1/A |
| 711B | 4460374 | 2 | Plug, Sealed Relay | |
| | 4460375 | A/R | Terminal | |
| 711C | 4460967 | 1 | Plug, Male - 3 Position | |
| | 4460465 | 3 | Socket, Female | |
| 711D | 2400060 | 1 | Fuseholder | |
| | 2400064 | 1 | Fuse - 5 Amp | |
| 711E | 4460742 | 1 | Connector, Male - 2 Position | |
| | 4460743 | 2 | Socket, Female | |
| | 4460458 | 2 | Seal | |
| 711F | 4922641 | 1 | Switch Harness | A |
| 711G | 4460226 | 2 | Socket, Female | |
| 712 | Not Available | 1 | Lights Harness | |
| | 1060341 | 48ft/14.6m | Cable, Electrical - 16/2 | |
| 712A | 3740049 | 1 | Relay | |
| 712B | 4922643 | 1 | Harness, Bagged (Located at Ground Control Box) (Not Shown) | |
| 712C | 4460426 | 1 | Connector, Strain Relief | |

SECTION 7 ELECTRICAL

FIGURE 7-3. HARNESS COMPONENTS INSTALLATION (CONTINUED)

| ITEM # | PART NUMBER | QTY. | DESCRIPTION | REV. |
|--------|---------------|------------|---|------|
| 713 | | Ref. | Platform Worklights Components | |
| 713A | | 2 | Platform Worklights Harness (External) Options (Includes Light and Wire Only): | |
| | 2920140 | | Non-UL Spec Machines | |
| | 2920095 | | UL Machines | |
| 713B | 1001098234 | A/R | Connector, Female - 3 Position | |
| 713C | 1001098349 | 1 | Connector, Male - 3 Position (Platform Worklights Only) | |
| 713D | | 1 | Connector, Strain Relief Options: | |
| | 4460426 | | Non-UL Spec Machines | |
| | 4460598 | | UL Machines | |
| 713E | 2400070 | 1 | Fuse - 20 Amp | |
| 713F | | 1 | Platform Worklights Main Boom Harness Options: | |
| | 4922215 | | 800A | |
| | 4922216 | | 800AJ | |
| | 1060708 | | Cable, Electrical - 10/3 Options: | |
| | | 67ft/20.4m | 800A | |
| | | 64ft/19.5m | 800AJ | |
| 713G | 4922217 | 1 | Platform Worklights Tower Boom Harness | |
| | 1060708 | 39ft/11.9m | Cable, Electrical - 10/3 | |
| 714 | Not Available | 1 | Soft-Touch System Harness | |
| 714A | 1060341 | 23ft/7.1m | Cable, Electrical - 16/2 | |
| 714B | | 1 | Connector, Strain Relief Options: | |
| | 4460425 | | 6ft Platforms | |
| | 4460049 | | 8ft Platforms | |
| 714C | 4460226 | 2 | Socket, Female | |
| | | Ref. | TOOLS | |
| 801 | 7002821 | 1 | Crimper (For Wire to Pin/Socket Connections) (Not Shown) | |
| 802 | 7002823 | 1 | Extractor (For Removal of Pin/Socket from Connectors) (Not Shown) | |
| 803 | 4460467 | 1 | Extractor, Pin (Blue 16-18 Gauge) (For Removal of Pin/Socket from Connectors) (Not Shown) | |
| | 4460510 | 1 | Extractor, Pin (Yellow 12-14 Gauge) (For Removal of Pin/Socket from Connectors) (Not Shown) | |
| 804 | 7002828 | 1 | Stripper, Wire (Not Shown) | |
| 805 | 1600244 | 1 | Analyzer | |
| 805A | 1060633 | 1 | Cable, Analyzer | 1/A |
| 805B | 4460321 | 2 | Plug, Male | |
| | 4460226 | 8 | Socket, Female | |

SECTION 7 ELECTRICAL

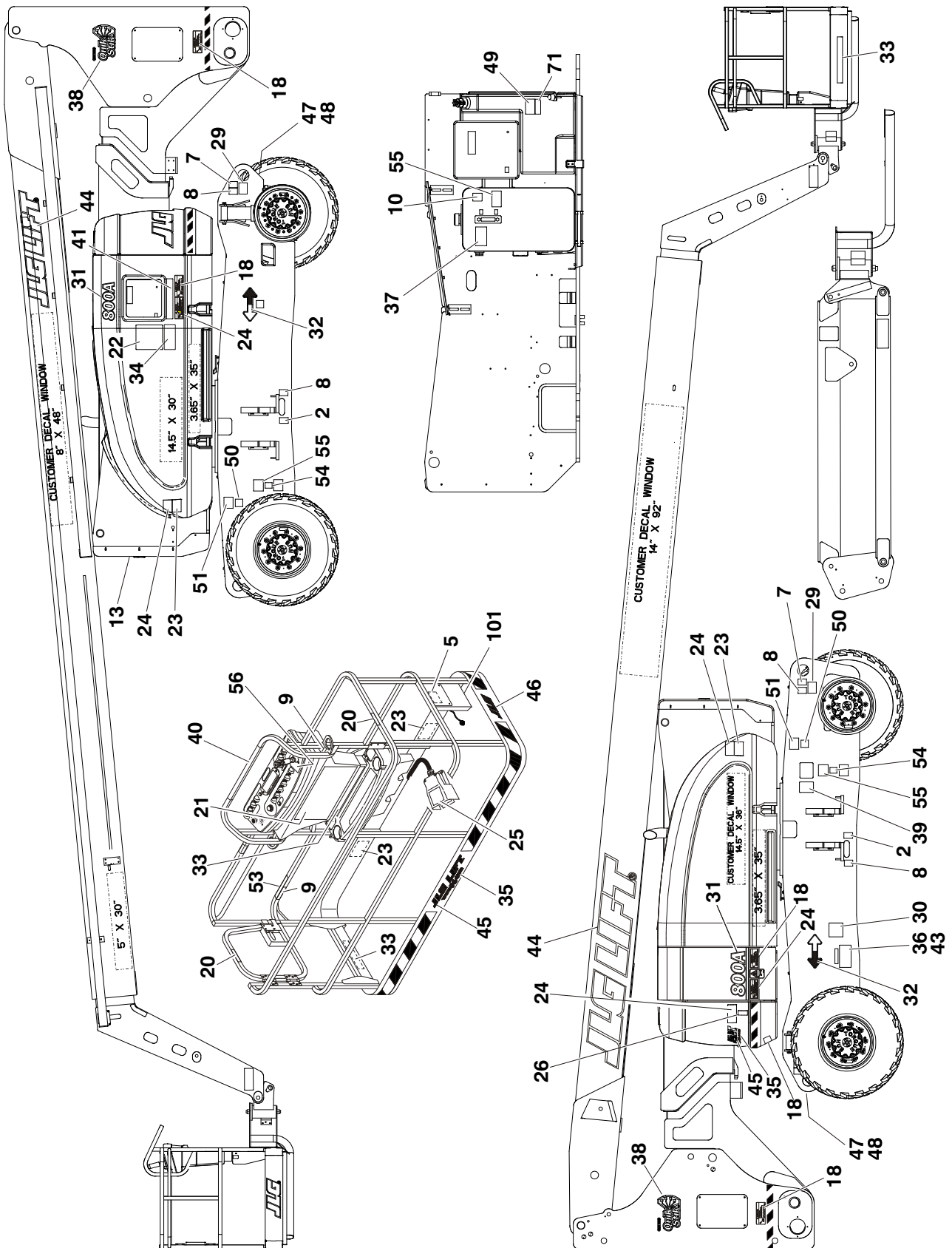
FIGURE 7-3. HARNESS COMPONENTS INSTALLATION (CONTINUED)

| ITEM # | PART NUMBER | QTY. | DESCRIPTION | REV. |
|--------|-------------|------|-------------|------|
| | | | | |

SECTION 8 DECALS

SECTION 8 DECALS

FIGURE 8-1. DECAL INSTALLATION (ANSI SPEC)



SECTION 8 DECALS

FIGURE 8-1. DECAL INSTALLATION (ANSI SPEC)

| ITEM # | PART NUMBER | QTY. | DESCRIPTION | REV. |
|----------|---------------|------|--|------|
| | | Ref. | DECALS INSTALLATIONS | |
| | 0274519 | Ref. | Decals Installation - JLG Logo | 2 |
| | 0274460 | Ref. | Decals Installation - 800A | 11 |
| | 0274461 | Ref. | Decals Installation - 800AJ | 11 |
| 1 | Not Used | | | |
| 2 | 1701499 | 2 | Decal - No Tie Down/Lift | |
| 3 to 4 | Not Used | | | |
| 5 | 1701509 | 1 | Decal - Manual | |
| 6 | Not Used | | | |
| 7 | 1703811 | 4 | Decal - Tie Down/Lift | |
| 8 | 1703814 | 6 | Decal - Tie Down | |
| 9 | 1704277 | 3 | Decal - Attach Lanyard Here | |
| 10 | 1704412 | 1 | Decal - Hydraulic Oil Chart | |
| 11 to 12 | Not Used | | | |
| 13 | 3251243 | 1 | Nameplate - 120V-60HZ | |
| 14 to 17 | Not Used | | | |
| 18 | 1703953 | 5 | Decal - Warning Crushing | |
| 19 | Not Used | | | |
| 20 | 1702868 | 2 | Decal - No Hands | |
| 21 | 1703797 | 1 | Decal - Warning/Danger | |
| 22 | 1705336 | 1 | Decal - Warning Inspection (MTB) | |
| 23 | 1703804 | 4 | Decal - Warning Crushing | |
| 24 | 1703805 | 5 | Decal - Danger Electrocution | |
| 25 | 3252347 | 1 | Decal - Footswitch | |
| 26 | 3251813 | 1 | Decal - USA | |
| 27 to 28 | Not Used | | | |
| 29 | 2902353 | 1 | Kit, Decal Max Tire Load (Includes Qty 4 of p/n 1703960) | 2 |
| | 1703960 | 4 | Decal - Max Tire Load | |
| 30 | Not Available | 1 | Decal - Bar Code (USA Built Machines S/N 0300140000 to S/N 0300144335 & China Built Machines S/N B300000100 to S/N B300000215) | |
| 31 | | 2 | Decal Options: | |
| | 1703772 | | Decal - 800A | |
| | 1703773 | | Decal - 800AJ | |
| 32 | 1701501 | 4 | Decal - Arrow | |
| 33 | | 2 | Decal Capacity Options: | |
| | 1704096 | | 800A - Decal - 500LBS Unrestricted Capacity | |
| | 1001121800 | | USA Built Machines S/N 0300140000 to S/N 0300142650 | |
| | | | USA Built Machines S/N 0300142650 to Present & China Built Machines S/N B300000100 to Present | |
| | 1701645 | | 800AJ - Decal - 500LBS Maximum Capacity | |
| | 1001121801 | | USA Built Machines S/N 0300140000 to S/N 0300142650 | |
| | | | USA Built Machines S/N 0300142650 to Present & China Built Machines S/N B300000100 to Present | |
| 34 | | 1 | Decal Capacity Options: | |
| | 1707014 | | 800A - Decal - 500LBS Unrestricted Capacity | |
| | 1001121813 | | USA Built Machines S/N 0300140000 to S/N 0300142650 | |
| | | | USA Built Machines S/N 0300142650 to Present & China Built Machines S/N B300000100 to Present | |

SECTION 8 DECALS

FIGURE 8-1. DECAL INSTALLATION (ANSI SPEC) (CONTINUED)

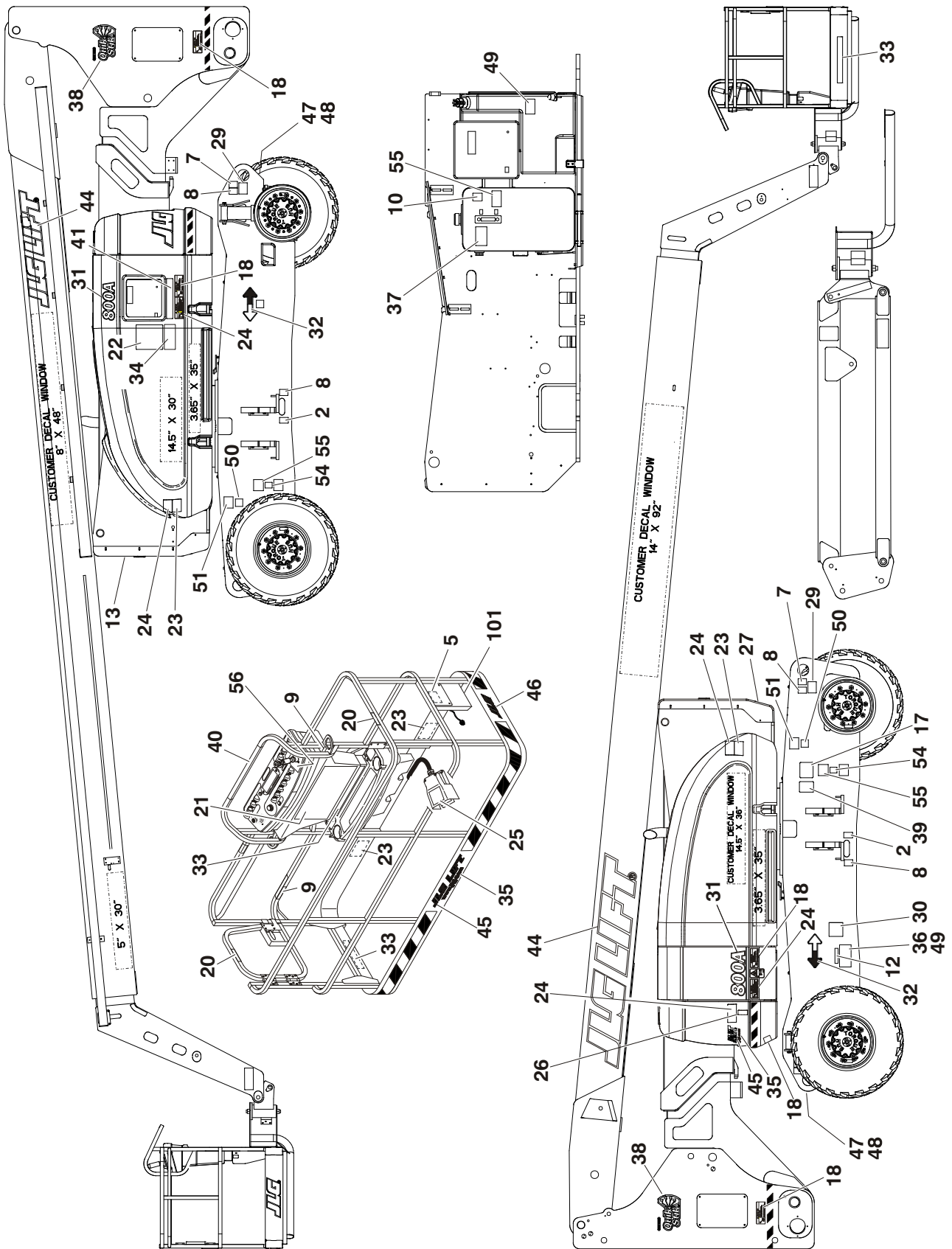
| ITEM # | PART NUMBER | QTY. | DESCRIPTION | REV. |
|----------|---------------|------|---|------|
| 34 | Continued | 1 | Decal Capacity Options: 800AJ - Decal - 500LBS Maximum Capacity USA Built Machines S/N 0300140000 to S/N 0300142650 | |
| | 1707013 | | USA Built Machines S/N 0300142650 to Present & China | |
| | 1001121814 | | Built Machines S/N B300000100 to Present | |
| 35 | 1704885 | 2 | Decal - Website | |
| 36 | Not Available | 1 | Nameplate, Manufactures | |
| 37 | 1001096141 | 1 | Decal - Upright Level Override | |
| 38 | 1703959 | 2 | Decal - Quik Stik | |
| 39 | 1700584 | 1 | Decal - Patent | |
| 40 | 1001108495 | 1 | Decal - Legend | |
| 41 | 1001095809 | 1 | Decal - Legend (MTB) | |
| 42 | Not Used | | | |
| 43 | 3820001 | 4 | Rivet | |
| 44 | 1702861 | 2 | Decal - JLG Lift (8" Height) | |
| 45 | 1702774 | 1 | Decal - JLG Lift (3 1/2" Height) | |
| 46 | 1702773 | 1 | Decal - JLG (5" Height) | |
| 47 | 3250872 | 1 | Nameplate - Steer/Tow Selector | |
| 48 | 1705090 | 1 | Decal - Towing Instructions | |
| 49 | | 1 | Decal - Fuel | |
| | 1701505 | | Diesel | |
| | 1701542 | | Gas | |
| 50 | 1701543 | 2 | Decal - LP Gas (GM Engine Machines Only) | |
| 51 | 1700818 | 2 | Decal - LP Gas (Liquid) (GM Engine Machines Only) | |
| 52 | Not Used | | | |
| 53 | 1703175 | 1 | Decal - Lanyard Attach (GM Spec Only) | |
| 54 | | 1 | Decal - Warning (Proposition 65) (California Spec Only) | |
| | 1702962 | | Diesel | |
| | 1702961 | | Gas | |
| 55 | 1702788 | 1 | Decal - Bio Hydraulic Fluid | |
| 56 | 1705351 | 1 | Decal - Drive Orientation | |
| 57 to 70 | Not Used | | | |
| 71 | 1001108923 | 1 | Decal - Low Sulfur Fuel (Caterpillar & Deutz Engine Machines) | |
| | 2902303 | 1 | Master Decal Kit (Includes Items 2, 5-13) | 6 |
| | 2902307 | 1 | ANSI Decal Kit (Includes Items 18-26) | 5 |
| | 0258671 | Ref. | MANUAL STORAGE BOX INSTALLATION | B |
| 101 | 0860520 | 1 | Box, Manual Storage | |
| | 1060279 | 1 | Cable, Lanyard | |
| | 0641408 | 1 | Bolt 1/4"-20NC x 1" | |
| | 0641406 | 1 | Bolt 1/4"-20NC x 3/4" | |
| | 4751400 | 6 | Flatwasher 1/4" | |
| | 3311405 | 5 | Locknut 1/4"-20NC | |

FIGURE 8-1. DECAL INSTALLATION (ANSI SPEC) (CONTINUED)

| ITEM # | PART NUMBER | QTY. | DESCRIPTION | REV. |
|--------|-------------|------|-------------|------|
| | | | | |

SECTION 8 DECALS

FIGURE 8-2. DECAL INSTALLATION (COUNTRY SPEC)



SECTION 8 DECALS

FIGURE 8-2. DECAL INSTALLATION (COUNTRY SPEC)

| ITEM # | PART NUMBER | QTY. | DESCRIPTION | REV. |
|----------|--------------|------|--|------|
| | | Ref. | DECAL INSTALLATIONS | |
| | 0274519 | Ref. | JLG Logo | 2 |
| | 0274470 | Ref. | 800A Dual Language English/Chinese Decals | 9 |
| | 0274472 | Ref. | 800A Dual Language English/French Decals | 9 |
| | 0274466 | Ref. | 800A Dual Language English/Spanish Decals | 9 |
| | 0274468 | Ref. | 800A Dual Language English/Portuguese Decals | 10 |
| | 0274462 | Ref. | 800A Dual Language English/Japanese Decals | 9 |
| | 0274464 | Ref. | 800A Dual Language English/Korean Decals | 9 |
| | 0274471 | Ref. | 800AJ Dual Language Chinese/English Decals | 9 |
| | 0274473 | Ref. | 800AJ Dual Language English/French Decals | 9 |
| | 0274467 | Ref. | 800AJ Dual Language English/Spanish Decals | 9 |
| | 0274469 | Ref. | 800AJ Dual Language English/Portuguese Decals | 11 |
| | 0274463 | Ref. | 800AJ Dual Language English/Japanese Decals | 9 |
| | 0274465 | Ref. | 800AJ Dual Language English/Korean Decals | 9 |
| 1 | Not Used | | | |
| 2 | 1701499 | 2 | Decal - No Tie Down/Lift | |
| 3 to 4 | Not Used | | | |
| 5 | 1701509 | 1 | Decal - Manual | |
| 6 | Not Used | | | |
| 7 | 1703811 | 4 | Decal - Tie Down/Lift | |
| 8 | 1703814 | 6 | Decal - Tie Down | |
| 9 | 1704277 | 3 | Decal - Attach Lanyard Here | |
| 10 | 1704412 | 1 | Decal - Hydraulic Oil Chart | |
| 11 | Not Used | | | |
| 12 | 1705514 | 1 | Decal - CSA (CSA Machines Only) | |
| 13 | | 1 | Nameplate - 110V/220V Options: | |
| | Not Required | | 110V - Dual Language English/Chinese Decals | |
| | 3251243 | | 110V - Dual Language English/French Decals | |
| | 3251243 | | 110V - Dual Language English/Spanish Decals | |
| | 3251243 | | 110V - Dual Language English/Portuguese Decals | |
| | Not Required | | 110V - Dual Language English/Japanese Decals | |
| | Not Required | | 110V - Dual Language English/Korean Decals | |
| | 3252507 | | 220V - All Specs | |
| 14 to 16 | Not Used | | | |
| 17 | | 1 | Decal - Inspection Options: | |
| | Not Required | | Dual Language English/Chinese Decals | |
| | 1704006 | | Dual Language English/French Decals | |
| | 1704007 | | Dual Language English/Spanish Decals | |
| | 1705901 | | Dual Language English/Portuguese Decals | |
| | Not Required | | Dual Language English/Japanese Decals | |
| | Not Required | | Dual Language English/Korean Decals | |

SECTION 8 DECALS

FIGURE 8-2. DECAL INSTALLATION (COUNTRY SPEC) (CONTINUED)

| ITEM # | PART NUMBER | QTY. | DESCRIPTION | REV. |
|--------|---|------|--|------|
| 18 | 1703943 1703942 1703941 1705903 1703944 1703945 | 3 | Decal - Warning/Crushing Options: Dual Language English/Chinese Decals Dual Language English/French Decals Dual Language English/Spanish Decals Dual Language English/Portuguese Decals Dual Language English/Japanese Decals Dual Language English/Korean Decals | |
| 19 | Not Used | | | |
| 20 | 1705968 1001116846 1704000 1704001 1705967 Not Required 1705969 | 2 | Decal - No Hands Options: Dual Language English/Chinese Decals Simplified Traditional Dual Language English/French Decals Dual Language English/Spanish Decals Dual Language English/Portuguese Decals Dual Language English/Japanese Decals Dual Language English/Korean Decals | |
| 21 | 1703925 1703924 1703923 1705895 1703926 1703927 | 1 | Decal - Danger/Warning Options: Dual Language English/Chinese Decals Dual Language English/French Decals Dual Language English/Spanish Decals Dual Language English/Portuguese Decals Dual Language English/Japanese Decals Dual Language English/Korean Decals | |
| 22 | 1705348 1001116849 1705347 1705917 1705896 1705344 1705345 | 1 | Decal - Warning Inspection Options: Dual Language English/Chinese Decals Simplified Traditional Dual Language English/French Decals Dual Language English/Spanish Decals Dual Language English/Portuguese Decals Dual Language English/Japanese Decals Dual Language English/Korean Decals | |
| 23 | 1703949 1703948 1703947 1705898 1703950 1703951 | 6 | Decal - Crushing Options: Dual Language English/Chinese Decals Dual Language English/French Decals Dual Language English/Spanish Decals Dual Language English/Portuguese Decals Dual Language English/Japanese Decals Dual Language English/Korean Decals | |
| 24 | 1703937 1001116851 1703936 1703935 1705897 1703938 1703939 | 4 | Decal - Danger/Electrocution Options: Dual Language English/Chinese Decals Simplified Traditional Dual Language English/French Decals Dual Language English/Spanish Decals Dual Language English/Portuguese Decals Dual Language English/Japanese Decals Dual Language English/Korean Decals | |

SECTION 8 DECALS

FIGURE 8-2. DECAL INSTALLATION (COUNTRY SPEC) (CONTINUED)

| ITEM # | PART NUMBER | QTY. | DESCRIPTION | REV. |
|----------|--|--------|---|------|
| 25 | 1703982 1703984 1703983 1705902 1703980 1703981 | 1 | Decal - Footswitch Options: Dual Language English/Chinese Decals Dual Language English/French Decals Dual Language English/Spanish Decals Dual Language English/Portuguese Decals Dual Language English/Japanese Decals Dual Language English/Korean Decals | |
| 26 | 3251813 3251813 3251813 3251813 3251813 Not Required | 1 | Decal - USA Options: Dual Language English/Chinese Decals Dual Language English/French Decals Dual Language English/Spanish Decals Dual Language English/Portuguese Decals Dual Language English/Japanese Decals Dual Language English/Korean Decals | |
| 27 to 28 | Not Used | | | |
| 29 | 2902353 1703960 | 1 4 | Kit, Decal Max Tire Load (Includes Qty 4 of p/n 1703960) Decal - Max Tire Load | 2 |
| 30 | Not Available | 1 | Decal - Bar Code (USA Built Machines S/N 0300140000 to S/N 0300144335 & China Built Machines S/N B300000100 to S/N B300000215) | |
| 31 | 1703772 1703773 | 2 | Decal Options: Decal - 800A Decal - 800AJ | |
| 32 | 1701501 | 4 | Decal- Arrow | |
| 33 | 1704101 1707060 1704099 1707055 1704098 1707056 1706380 1707057 1704102 1707059 1704103 1707058 1001121809 1001121810 1001121802 1001121803 1001121804 1001121805 1001121806 1001121656 1001121807 1001121808 | 2 | Decal - 500LBS Max Capacity Options: USA Built Machines S/N 0300140000 to S/N 0300142650 800A Dual Language English/Chinese Decals 800AJ Dual Language English/Chinese Decals 800A Dual Language English/French Decals 800AJ Dual Language English/French Decals 800A Dual Language English/Spanish Decals 800AJ Dual Language English/Spanish Decals 800A Dual Language English/Portuguese Decals 800AJ Dual Language English/Portuguese Decals 800A Dual Language English/Japanese Decals 800AJ Dual Language English/Japanese Decals 800A Dual Language English/Korean Decals 800AJ Dual Language English/Korean Decals USA Built Machines S/N 0300142650 to Present & China Built Machines S/N B300000100 to Present 800A Dual Language English/Chinese Decals 800AJ Dual Language English/Chinese Decals 800A Dual Language English/French Decals 800AJ Dual Language English/French Decals 800A Dual Language English/Spanish Decals 800AJ Dual Language English/Spanish Decals 800A Dual Language English/Portuguese Decals 800AJ Dual Language English/Portuguese Decals 800A Dual Language English/Japanese Decals 800AJ Dual Language English/Japanese Decals | |

SECTION 8 DECALS

FIGURE 8-2. DECAL INSTALLATION (COUNTRY SPEC) (CONTINUED)

| ITEM # | PART NUMBER | QTY. | DESCRIPTION | REV. |
|--------|---------------|------|--|------|
| 33 | Continued | | USA Built Machines S/N 0300142650 to Present & China Built Machines S/N B300000100 to Present | |
| | 1001122200 | | 800A Dual Language English/Korean Decals | |
| | 1001121918 | | 800AJ Dual Language English/Korean Decals | |
| 34 | | 1 | Decal - 500LBS Max Capacity Options: USA Built Machines S/N 0300140000 to S/N 0300142650 | |
| | 1707045 | | 800A Dual Language English/Chinese Decals | |
| | 1707044 | | 800AJ Dual Language English/Chinese Decals | |
| | 1707046 | | 800A Dual Language English/French Decals | |
| | 1707047 | | 800AJ Dual Language English/French Decals | |
| | 1707048 | | 800A Dual Language English/Spanish Decals | |
| | 1707049 | | 800AJ Dual Language English/Spanish Decals | |
| | 1707051 | | 800A Dual Language English/Portuguese Decals | |
| | 1707052 | | 800AJ Dual Language English/Portuguese Decals | |
| | 1707053 | | 800A Dual Language English/Japanese Decals | |
| | 1707054 | | 800AJ Dual Language English/Japanese Decals | |
| | 1707043 | | 800A Dual Language English/Korean Decals | |
| | 1707042 | | 800AJ Dual Language English/Korean Decals | |
| | | | USA Built Machines S/N 0300142650 to Present & China Built Machines S/N B300000100 to Present | |
| | 1001121822 | | 800A Dual Language English/Chinese Decals | |
| | 1001121823 | | 800AJ Dual Language English/Chinese Decals | |
| | 1001121815 | | 800A Dual Language English/French Decals | |
| | 1001121816 | | 800AJ Dual Language English/French Decals | |
| | 1001121817 | | 800A Dual Language English/Spanish Decals | |
| | 1001121818 | | 800AJ Dual Language English/Spanish Decals | |
| | 1001121819 | | 800A Dual Language English/Portuguese Decals | |
| | 1001121655 | | 800AJ Dual Language English/Portuguese Decals | |
| | 1001121820 | | 800A Dual Language English/Japanese Decals | |
| | 1001121821 | | 800AJ Dual Language English/Japanese Decals | |
| | 1001122201 | | 800A Dual Language English/Korean Decals | |
| | 1001121921 | | 800AJ Dual Language English/Korean Decals | |
| 35 | 1704885 | 2 | Decal - Website | |
| 36 | Not Available | 1 | Nameplate, Manufactures | |
| 37 | 1705977 | 1 | Decal - Upright Level Override | |
| 38 | 1703959 | 2 | Decal - Quik Stik | |
| 39 | 1700584 | 1 | Decal - Patent | |
| 40 | 1001108495 | 1 | Decal - Legend | |
| 41 | 1001095809 | 1 | Decal - Legend (MTB) | |
| 42 | Not Used | | | |
| 43 | 3820001 | 4 | Rivet | |
| 44 | 1702861 | 2 | Decal - JLG Lift (8" Height) | |
| 45 | 1702774 | 1 | Decal - JLG Lift (3 1/2" Height) | |
| 46 | 1702773 | 1 | Decal - JLG (5" Height) | |
| 47 | 3250872 | 1 | Nameplate - Steer/Tow Selector | |
| 48 | 1705090 | 1 | Decal - Towing Instructions | |
| 49 | | 1 | Decal - Fuel | |
| | 1701505 | | Diesel | |
| | 1701542 | | Gas | |

SECTION 8 DECALS

FIGURE 8-2. DECAL INSTALLATION (COUNTRY SPEC) (CONTINUED)

| ITEM # | PART NUMBER | QTY. | DESCRIPTION | REV. |
|----------|-------------|------|---|------|
| 50 | 1701543 | 2 | Decal - LP Gas (GM Engine Machines Only) | |
| 51 | 1700818 | 2 | Decal - LP Gas (Liquid) (GM Engine Machines Only) Options: ANSI Spec | |
| | 1702720 | | ANSI Export | |
| | 1704271 | | CSA Spec | |
| 52 to 54 | Not Used | | | |
| 55 | 1702788 | 1 | Decal - Bio Hydraulic Fluid | |
| 56 | 1705430 | 1 | Decal - Drive Orientation Options: Dual Language English/Chinese Decals | |
| | 1705429 | | Dual Language English/French Decals | |
| | 1705910 | | Dual Language English/Spanish Decals | |
| | 1705905 | | Dual Language English/Portuguese Decals | |
| | 1705426 | | Dual Language English/Japanese Decals | |
| | 1705427 | | Dual Language English/Korean Decals | |
| | 2902303 | 1 | ----- Master Decal Kit (Includes Items 2, 5-13) | 6 |
| | 2902309 | 1 | ANSI Decal Kit (Includes Items 17-26) Dual Language English/Chinese Decals | 7 |
| | 2902322 | | Dual Language English/French Decals | 6 |
| | 2902311 | | Dual Language English/Spanish Decals | 7 |
| | 2902312 | | Dual Language English/Portuguese Decals | 6 |
| | 2902308 | | Dual Language English/Japanese Decals | 7 |
| | 2902310 | | Dual Language English/Korean Decals | 4 |
| | 0258671 | Ref. | MANUAL STORAGE BOX INSTALLATION | B |
| 101 | 0860520 | 1 | Box, Manual Storage | |
| | 1060279 | 1 | Cable, Lanyard | |
| | 0641408 | 1 | Bolt 1/4"-20NC x 1" | |
| | 0641406 | 1 | Bolt 1/4"-20NC x 3/4" | |
| | 4751400 | 6 | Flatwasher 1/4" | |
| | 3311405 | 5 | Locknut 1/4"-20NC | |

SECTION 8 DECALS

FIGURE 8-3. DECAL INSTALLATION (AUSTRALIAN & CE SPEC)

| ITEM # | PART NUMBER | QTY. | DESCRIPTION | REV. |
|----------|---------------|------|--|------|
| | | Ref. | STANDARD DECAL INSTALLATIONS | |
| | 0274519 | Ref. | JLG Logo | 2 |
| | 1001114373 | Ref. | Australian Spec 800A | 2 |
| | 1001114374 | Ref. | Australian Spec 800AJ | 2 |
| | 0274474 | Ref. | CE Spec 800A | 4 |
| | 0274475 | Ref. | CE Spec 800AJ | 4 |
| 1 | Not Used | | | |
| 2 | 1701499 | 2 | Decal - No Tie Down/Lift | |
| 3 to 4 | Not Used | | | |
| 5 | 1701509 | 1 | Decal - Manual | |
| 6 | Not Used | | | |
| 7 | 1703811 | 4 | Decal - Tie Down/Lift | |
| 8 | 1703814 | 6 | Decal - Tie Down | |
| 9 | 1704277 | 3 | Decal - Attach Lanyard Here | |
| 10 | 1704412 | 1 | Decal - Hydraulic Oil Chart | |
| 11 | 1705084 | 1 | Decal - Sound Power Level | |
| 12 to 20 | Not Used | | | |
| 21 | 1705921 | 1 | Decal - Tipping/Electrical (PLF) | |
| 22 | 1705822 | 1 | Decal - Electrical/Safety Manual | |
| 23 | 1701518 | 10 | Decal - Warning Crushing | |
| 24 | 1705961 | 5 | Decal - Danger Electrocutation | |
| 25 | 1705828 | 1 | Decal - Footswitch | |
| 26 to 28 | Not Used | | | |
| 29 | 2902353 | 1 | Kit, Decal Max Tire Load (Includes Qty 4 of p/n 1703960) | 2 |
| | 1703960 | 4 | Decal - Max Tire Load | |
| 30 | Not Available | 1 | Decal - Bar Code (USA Built Machines S/N 0300140000 to S/N 0300144335 & China Built Machines S/N B300000100 to S/N B300000215) | |
| 31 | | 2 | Decal Options: | |
| | 1703772 | | Decal - 800A | |
| | 1703773 | | Decal - 800AJ | |
| 32 | 1701501 | 4 | Decal - Arrow | |
| 33 | 1705978 | 2 | Decal Capacity | |
| 34 | 1705978 | 1 | Decal Capacity | |
| 35 | 1704885 | 2 | Decal - Website | |
| 36 | Not Available | 1 | Nameplate, Manufactures | |
| 37 | 1705977 | 1 | Decal - Upright Level Override | |
| 38 | 1703959 | 2 | Decal - Quik Stik | |
| 39 | 1700584 | 1 | Decal - Patent | |
| 40 to 41 | Not Used | | | |
| 42 | 3251242 | 1 | Nameplate 240V-50Hz | |
| 43 | 3820001 | 2 | Rivet | |
| 44 | 1702861 | 2 | Decal - JLG Lift (8" Height) | |
| 45 | 1702774 | 1 | Decal - JLG Lift (3 1/2" Height) | |
| 46 | 1702773 | 1 | Decal - JLG (5" Height) | |
| 47 | 3250872 | 1 | Nameplate - Steer/Tow Selector | |
| 48 | 1705090 | 1 | Decal - Towing Instructions | |
| 49 | 1701505 | 1 | Decal - Fuel | |

SECTION 8 DECALS

FIGURE 8-3. DECAL INSTALLATION (AUSTRALIAN & CE SPEC) (CONTINUED)

| ITEM # | PART NUMBER | QTY. | DESCRIPTION | REV. |
|----------|---------------------------|------|---|------|
| 50 to 51 | Not Used | | | |
| 52 | 4420051 | 1 | Decal - Safety Striping | |
| 53 to 54 | Not Used | | | |
| 55 | 1702788 1703479 | 1 | Decal - Bio Hydraulic Fluid Options: CE/Australian Spec German Spec | |
| 56 | Not Used | | | |
| 57 | 100112551 Not Required | A/R | Decal - Emergency Controls Options: Australian Spec CE Spec | |
| | 2902303 | 1 | Master Decal Kit (Includes Items 2, 5-13) | 6 |
| | 2902329 | 1 | ANSI Decal Kit (Includes Items 21-25) | 5 |
| | 0258671 | Ref. | MANUAL STORAGE BOX INSTALLATION | B |
| 101 | 0860520 | 1 | Box, Manual Storage | |
| | 1060279 | 1 | Cable, Lanyard | |
| | 0641408 | 1 | Bolt 1/4"-20NC x 1" | |
| | 0641406 | 1 | Bolt 1/4"-20NC x 3/4" | |
| | 4751400 | 6 | Flatwasher 1/4" | |
| | 3311405 | 5 | Locknut 1/4"-20NC | |

SECTION 9 RECOMMENDED SERVICE PARTS STOCK

MODEL 800A/800AJ

The following list will service one machine (built to current production per date on the front cover) with emergency repair parts which can be installed in the field. Parts from the list should be replaced when inventory is depleted to keep service parts stock supplied. For further information, contact your JLG dealer or the JLG Industries Parts Department.

| Part Number | Description | Qty./Machine |
|-----------------------|--|--------------|
| STANDARD PARTS | | Ref. |
| 2120168 | Element, Filter (Figure 2-1) | 4 |
| 2120210 | Element Filter (Figure 2-1) | 4 |
| 7012944 | Coil (Figures 2-1 & 2-2) | 1 |
| 7018991 | Coil (Figure 2-2) | 1 |
| 7012772 | Coil (Figures 2-2 & 2-3) | 1 |
| 7000645 | Coil (Figure 2-2) | 1 |
| 70000582 | Coil (Figure 2-2) | 1 |
| 7012664 | Element, Air Cleaner (Figures 2-7, 2-8 & 2-9) | 1 Dozen |
| 3740067 | Relay (Figures 2-7, 2-8 & 2-9) | 1 |
| 3740080 | Relay (Figure 2-8) | 1 |
| 7024444 | Breather, Hydraulic Tank (Figure 2-11) | 1 |
| 4360475 | Switch, Mushroom (Figures 2-14 & 4-3) | 1 |
| 4360469 | Switch, Key (ANSI & Australian SPec) (Figure 2-14) | 1 |
| 4360470 | Switch, Key (CE Spec) (Figure 2-14) | 1 |
| 2860030 | Key, Replacement (Figure 2-14) | 1 |
| 4360476 | Contact, Switch Block (Figures 2-14 & 4-3) | 1 |
| 4360328 | Switch, Toggle (Figures 2-14 & 4-3) | 1 |
| 3740049 | Relay (Figures 2-14 & 7-3) | 1 |
| 2940074 | Latch (Figure 4-1) | 1 |
| 4360387 | Switch, Push Button (Figure 4-3) | 1 |
| 1001129555 | Controller (Lift and Swing) (Figure 4-3) | 1 |
| 1001118416 | Controller (Drive and Steer) (Figure 4-3) | 1 |
| 4360330 | Switch, Toggle (Figure 4-3) | 1 |
| 4360407 | Controller, Speed (Figure 4-3) | 1 |
| 2400065 | Fuse - 30 Amp (Figure 7-3) | 2 |
| 3990010 | Diode (Figure 7-3) | 2 |
| VARIABLE PARTS | | Ref. |
| 7026811 | Filter, Oil (Caterpillar Engine Machines) (Figure 2-7) | 1 Dozen |
| 7026830 | Filter, Fuel (Caterpillar Engine Machines) (Figure 2-7) | 1 Dozen |
| 1001112067 | Module, Engine Control (Caterpillar Engine Machines) (Figure 2-7) | 1 |
| 7016331 | Filter, Oil (Deutz Engine Machines) (Figure 2-8) | 1 Dozen |
| 8320270 | Filter, Fuel (Deutz Engine Machines) (Figure 2-8) | 1 Dozen |
| 7027795 | Module, Engine Control (Deutz Engine Machines) (Figure 2-8) | 1 |
| 7027965 | Filter, Oil (GM Engine Machines) (Figure 2-9) | 1 Dozen |
| 7027972 | Filter, Fuel (GM Engine Machines) (Figure 2-9) | 1 Dozen |
| 70002895 | Module, Engine Control (GM Engine Machines) (Figure 2-9) | 1 |
| 4360336 | Switch, Toggle (Machines with Dual Fuel Option) (Figures 2-9 & 4-3) | 1 |
| 4360517 | Switch, Proximity (Figures 2-13 & 7-3) | 1 |
| 1001103667 | Module, Ground Control (Caterpillar, Deutz & GM Engines) (Figure 2-14) | 1 |
| 4360522 | Switch, Toggle (Machines with Lights Option) (Figures 2-15 & 4-3) | 1 |

SECTION 9 RECOMMENDED SERVICE PARTS STOCK

MODEL 800A/800AJ

The following list will service one machine (built to current production per date on the front cover) with emergency repair parts which can be installed in the field. Parts from the list should be replaced when inventory is depleted to keep service parts stock supplied. For further information, contact your JLG dealer or the JLG Industries Parts Department.

| Part Number | Description | Qty./Machine |
|-------------|---|--------------|
| 3740080 | Relay (Machines with Generator Option) (Figures 2-19, 2-20, 2-21, 2-22 & 2-23) | 1 |
| 4360336 | Switch, Toggle (Machines with Generator Option) (Figures 2-19, 2-20, 2-21, 2-22 & 2-23) | 1 |
| 4360070 | Breaker, Circuit (Machines with SkyPower) (Figures 2-22 & 2-23) | 1 |
| 2400064 | Fuse - 5 Amp (Machines with SkyPower) (Figures 2-22, 2-23 & 7-3) | 2 |
| 70002013 | Powertrack Repair Section (Gortrac Brand) (Figure 3-4) | 1 |
| 7016522 | Powertrack Repair Section (Gemco Brand) (Figure 3-4) | 2 |
| 7006137 | Powertrack Pin Kit (Gemco Brand) (Figure 3-4) | 24 |
| 4360578 | Switch, Limit (Figure 3-6) | 1 |
| 4360498 | Switch, Proximity (Figure 3-6) | 1 |
| 4360499 | Switch, Proximity (Figure 3-6) | 1 |
| 1001094400 | Sensor, Dual Axle (Figure 3-6) | 1 |
| 4360328 | Switch, Toggle (Machines with Jig) (Figure 4-3) | 1 |
| 4360387 | Switch, Push Button (Machines with Soft Touch Option) (Figure 4-3) | 1 |
| 1001106355 | Controller, Module Platform (Figure 4-3) | 1 |
| 4360331 | Switch, Toggle (Machines with 4WD or 4WS Options) (Figure 4-3) | 1 |
| 4360057 | Switch, Limit (Machines with Soft Touch Option) (Figure 4-6) | 1 |
| 2400070 | Fuse (Machines with Platform Worklights) (Figure 7-3) | 2 |

SECTION 10 SPECIAL OPTIONS

Note: This list is to accommodate machines ordered with special equipment. Options may not be applicable to all models. For more specific parts information contact JLG Parts Department.

| FIG&ITEM# | PART NUMBER | QTY. | DESCRIPTION | REV. |
|-----------|-------------|------|--|------|
| | | Ref. | MISCELLANEOUS SPECIAL OPTIONS | |
| | 1340061 | Ref. | Air Cleaner Pre-Cleaner | |
| | | Ref. | Airline to Platform Installation Options: | |
| | 0258802 | Ref. | 1/2in 800A | |
| | 0258805 | Ref. | 1/2in 800AJ | |
| | 1001093746 | Ref. | 1/2in 800A (With Arctic Package) | |
| | 1001092092 | Ref. | 1/2in 800AJ (With Arctic Package) | |
| | | | Bellows Installation Options: | |
| | 0258734 | Ref. | Boom 800A | |
| | 0258737 | Ref. | Boom 800AJ | |
| | 0258757 | Ref. | Chassis (Fixed Axle 2WS) | |
| | 0258759 | Ref. | Chassis (Fixed Axle 4WS) | |
| | 0258387 | Ref. | Chassis (Oscillating Axle 2WS) | |
| | 0258758 | Ref. | Chassis (Oscillating Axle 4WS) | |
| | 1001116474 | Ref. | Boom Cable Installation with Communication System (800AJ ANSI Spec Only) | |
| | 0258654 | Ref. | Boom Wipers Installation | |
| | 0256789 | Ref. | Camera Mount Assembly | |
| | | | Cold Weather Package Installation Options: | |
| | 0273575 | Ref. | Caterpillar Engine | |
| | 0271912 | Ref. | Deutz with Glow Plugs | |
| | 0275262 | Ref. | GM | |
| | 0274883 | | Cold Weather Transformer Installation (ANSI Export Only) Note: Cold Weather Transformer Installation used on Deutz Engines with Cold Weather Package. | |
| | 1001109263 | Ref. | Communication System (David Clark) Installation (800AJ ANSI Spec Only) | |
| | 1001093389 | Ref. | Cover, Fan | |
| | 1001115918 | Ref. | Cribbing Installation | |

SECTION 10 SPECIAL OPTIONS

Note: This list is to accommodate machines ordered with special equipment. Options may not be applicable to all models. For more specific parts information contact JLG Parts Department.

| FIG&ITEM# | PART NUMBER | QTY. | DESCRIPTION | REV. |
|-----------|-----------------|------|--|------|
| | | Ref. | Decal Installations Options: | |
| | 1702788 | Ref. | Decal - Biodegradable Hydraulic Fluid (All except German Spec) | |
| | 1703479 | Ref. | Decal - Biodegradable Hydraulic Fluid (German Spec Only) | |
| | 1001116565 | Ref. | Decal - ClearSky (ANSI Spec) (ABS Hoods) | |
| | 1001116566 | Ref. | Decal - ClearSky (CSA Spec) (ABS Hoods) | |
| | 1001127094 | Ref. | Decal - ClearSky (CSA Spec) (Steel Hoods) | |
| | 3252221 | Ref. | Decal - CSA (CSA Spec) | |
| | 1703175 | Ref. | Decal - Lanyard Attach (GM K-1 Spec) | |
| | 1702962 | Ref. | Decal - Prop 65 Warning (Diesel Machines) (California Spec) | |
| | 1702961 | Ref. | Decal - Prop 65 Warning (Gasoline Machines) (California Spec) | |
| | 0257195 | Ref. | Decals - Government Warranty | |
| | 0274528 | Ref. | Decals - Head & Engquist Equipment L.L.C. (H&E) | |
| | | Ref. | Decals - Hertz Options: | |
| | 0273249 | Ref. | S/N 0300140000 to S/N 0300147420 | |
| | 1001128995 | Ref. | S/N 0300147420 to Present | |
| | 0274248 | Ref. | Decals - National Equipment Services | |
| | 1001095391 | Ref. | Decals - RSC Equipment Rental | |
| | 1001120207 | Ref. | Decals - Sunbelt | |
| | 0273687 | Ref. | Decal - SkyAir | |
| | 0272599 | Ref. | Decal - SkyCutter (ANSI/ANSI Export/CSA Specs) | |
| | 0272607 | Ref. | Decal - SkyCutter (Japanese Specs) | |
| | 0272418 | Ref. | Decal - SkyGlazier (ANSI/ANSI Export/Australian/CSA Specs) | |
| | 0272435 | Ref. | Decal - SkyPower (ANSI/ANSI Export/CSA Specs) | |
| | 0272589 | Ref. | Decal - SkyPower (ANSI Export/Australian/CE/Japanese Specs) | |
| | 0272448 | Ref. | Decal - SkyWelder (ANSI/ANSI Export/CSA Specs) | |
| | 0272588 | Ref. | Decal - SkyWelder (ANSI Export/Australian/CE/Japanese Specs) | |
| | 0273122 | Ref. | Decals - United Rentals | |
| | 0258541/1282946 | Ref. | Decals - Warning Stripes I | |
| | 2300040 | Ref. | Diesel Fuel - Anti-Gel | |
| | 2902396 | Ref. | Drive/Steer Cutout Kit | |
| | 0274619 | Ref. | Dual AC 110V GFI Installation (ANSI Export Only) | |
| | 0275261 | Ref. | GM Engine Block Heater Installations: | |
| | | Ref. | Exhaust Rain Cap Installation | |
| | 1001108962 | | ABS Hoods | |
| | 1001121294 | | Steel Hoods (Caterpillar Engine) | |
| | 1001121306 | | Steel Hoods (Deutz Engine) | |

SECTION 10 SPECIAL OPTIONS

Note: This list is to accommodate machines ordered with special equipment. Options may not be applicable to all models. For more specific parts information contact JLG Parts Department.

| FIG&ITEM# | PART NUMBER | QTY. | DESCRIPTION | REV. |
|-----------|-----------------|------|---|------|
| | | Ref. | Footswitch Shield Options (Note: Move Decal to Shield): | |
| | 3380652 | Ref. | USA Built Machines S/N 0300140000 to S/N 0300143928 & China Built Machines S/N B300000100 to S/N B300000202 | |
| | 1001117294 | Ref. | USA Built Machines S/N 0300143928 to Present & China Built Machines S/N B300000202 to Present | |
| | | Ref. | Hood Kit Installations (Steel) | |
| | 1001121736 | Ref. | Caterpillar Engine Machines | |
| | 1001121735 | Ref. | Deutz Engine Machines | |
| | 1001121737 | Ref. | GM Engine Machines | |
| | | Ref. | Hydraulic Fluids | |
| | 2300014 | Ref. | Mobil 424 | |
| | 2300027 | Ref. | Mobil 224H Bio | |
| | 2300016 | Ref. | Mobil DTE 10 Excel 32 | |
| | 2300029 | Ref. | Mobil EAL ISO 46 Bio | |
| | 2300021 | Ref. | Union Carbide Ucon HP5046 Fire Resistant | |
| | 2300039 | Ref. | Exxon Univis Hvl (Arctic Package Only) | |
| | | Ref. | Oil Cooler Installations | |
| | 1001108701 | Ref. | Deutz Engine Machines | |
| | 0272040/1283309 | Ref. | GM Engine Machines | |
| | | Ref. | Pipe Racks Installations | |
| | 0257728 | Ref. | ANSI & CSA Spec | |
| | 0274661 | Ref. | Australian Spec | |
| | 1001107497 | Ref. | ANSI Export Spec (English/Spanish Language) | |
| | 0258703 | Ref. | Platform Console Cover Installation | |
| | | Ref. | Platform, Mesh to Top Rail | |
| | 0273147 | Ref. | 2.5' x 4' Platforms (ANSI/ANSI Export & CSA Specs) | |
| | 0273149 | Ref. | 3' x 6' Platforms (ANSI/ANSI Export & CSA Specs) | |
| | 0273145 | Ref. | 3' x 8' Platforms (ANSI/ANSI Export & CSA Specs) | |
| | 1702868 | Ref. | Decal - NO HANDS (ANSI/ANSI Export Spec) | |
| | 1704000 | Ref. | Decal - NO HANDS (CSA Spec) | |
| | 1704001 | Ref. | Decal - NO HANDS (ANSI Export - English/Spanish) | |
| | 1705969 | Ref. | Decal - NO HANDS (ANSI Export - Korean/English) | |
| | 1705967 | Ref. | Decal - NO HANDS (ANSI Export - Portuguese/English) | |
| | | Ref. | Platform, Top Rail Extension | |
| | 0272733 | Ref. | 3' x 6' Platforms (Standard Design) | |
| | 1001110058 | | 3' x 6' Platforms (Raised Height Design) | |
| | 0272725 | Ref. | 3' x 8' Platforms (Standard Design) | |

SECTION 10 SPECIAL OPTIONS

Note: This list is to accommodate machines ordered with special equipment. Options may not be applicable to all models. For more specific parts information contact JLG Parts Department.

| FIG&ITEM# | PART NUMBER | QTY. | DESCRIPTION | REV. |
|-----------|-------------|------|--|------|
| | 0861682 | Ref. | Platform, Remote Control Box | |
| | 0274207 | Ref. | Slope Sensor Installation | |
| | | Ref. | SkyAccessory: | |
| | | | Note: For Breakdown of Sky Accessories Refer to Accessory Manual p/n 3124242 | |
| | 0274031 | Ref. | SkyAir | |
| | | | SkyGlazier Options: | |
| | 1001101422 | Ref. | ANSI & CSA Specs w/o LSS | |
| | 1001102647 | Ref. | Australian Specs w/o LSS | |
| | 1001099421 | Ref. | ANSI Export - Spanish Language | |
| | 1001099422 | Ref. | ANSI Export - Portuguese Language | |
| | 1001115398 | Ref. | SkyPower - 7500W 60Hz (Caterpillar Engine) (ANSI/ANSI Export & CSA Specs) | |
| | 1001115400 | Ref. | SkyPower - 7500W 50Hz (Caterpillar Engine) (ANSI Export/Australian/CE & Japanese) | |
| | 1001115387 | Ref. | SkyPower - 7500W 60Hz (Deutz Engine) (ANSI/ANSI Export & CSA Specs) | |
| | 1001115389 | Ref. | SkyPower - 7500W 50Hz (Deutz Engine) (ANSI Export/Australian/CE & Japanese) | |
| | 0275257 | Ref. | SkyPower - 7500W 60Hz (GM Engine) (ANSI/ANSI Export & CSA Specs) | |
| | 1001098149 | Ref. | SkyCutter Plasma Cutter (ANSI/ANSI Export/CSA & Japanese Specs) | |
| | 0272254 | Ref. | SkyWelder (ANSI, ANSI Export & CSA Specs) | |
| | 0272521 | Ref. | SkyWelder (ANSI Export & Japanese Specs) | |
| | 0273353 | Ref. | SkyCutter/SkyWelder Combo (ANSI, ANSI Export & CSA Specs) | |
| | 1001116163 | Ref. | Sky Power Kit, Deutz 7500W (800A Only) | |
| | | Ref. | Telematic (ClearSky) Installation | |
| | | Ref. | Note: Refer to Manual Supplement p/n 3128499 for available replacement parts. | |
| | | Ref. | ABS Hoods | |
| | 1001112990 | Ref. | ANSI Spec | |
| | 1001112991 | Ref. | ANSI Export & Japanese Specs | |
| | 1001112992 | Ref. | CSA Spec | |
| | | Ref. | Steel Hoods | |
| | 1001118963 | Ref. | ANSI Spec | |
| | 1001127087 | Ref. | Brazil & New Zealand Specs Only | |
| | 1001118964 | Ref. | CSA Spec | |

SECTION 10 SPECIAL OPTIONS

Note: This list is to accommodate machines ordered with special equipment. Options may not be applicable to all models. For more specific parts information contact JLG Parts Department.

| FIG&ITEM# | PART NUMBER | QTY. | DESCRIPTION | REV. |
|-----------|-------------|------|---|------|
| | | Ref. | Tire Sealant Installation | |
| | 0272324 | A/R | Sealant, Tire (15"IN385/65D 19.5) | |
| | 1300019 | A/R | Sealant | |
| | 0272312 | 1 | Decal - Tire Sealant | |
| | 0273364 | A/R | Sealant, Tire (IN445/55D 19.5) | |
| | 1300019 | A/R | Sealant | |
| | 0272313 | 1 | Decal - Tire Sealant | |
| | | Ref. | Tools for Service | |
| | 1600244 | 1 | Analyzer, Machine System | |
| | 7002840 | 1 | Antirotation Pin Removal Tool | |
| | 8896941 | 1 | Wire Stripper | |
| | 7002821 | 1 | Wire Crimper (To install wire ends to wires) | |
| | 7002823 | 1 | Pin/Socket Extractor - Universal (To Remove Pins/ Sockets from Connectors) | |
| | 4460467 | 1 | Extractor - 16-18 Gauge (For Removal of Pin/Sockets from Deutsch Connectors) | |
| | 4460510 | 1 | Extractor - 12-14 Gauge (For Removal of Pin/Sockets from Deutsch Connectors) | |
| | 7002822 | 1 | Screwdriver, Potentiometer (To Adjust Drive Controllers) | |
| | 7016654 | 1 | Screwdriver, Magnetic | |
| | 7004275 | 1 | Seal Installation Tool - 1" | |
| | 7004276 | 1 | Seal Installation Tool - 1 1/2" | |
| | 7002826 | 1 | Seal Installation Tool - 2" | |
| | 7016655 | 1 | Wire Rope Sheave Gauge | |
| | 7016652 | 1 | Huck Bolt Fastener (For Small Huck Bolts Only) | |
| | 7000017 | 1 | ADE Software CD | |
| | 1060629 | 1 | Software Programming Cable | |
| | 0258918 | Ref. | Utility Rack Installation | |
| | | Ref. | Weld Leads to Platform Installation Options: | |
| | 0258826 | Ref. | 800A | |
| | 0258827 | Ref. | 800AJ | |

SECTION 10 SPECIAL OPTIONS

Note: This list is to accommodate machines ordered with special equipment. Options may not be applicable to all models. For more specific parts information contact JLG Parts Department.

| FIG&ITEM# | PART NUMBER | QTY. | DESCRIPTION | REV. |
|-----------|-------------|------|-------------|------|
| | | | | |

SECTION 11 PARTS NUMBER INDEX

| Part Number | Page | Part Number | Page | Part Number | Page | Part Number | Page |
|-------------|--|-------------|-----------------|-------------|------------------|-------------|------------------|
| 0060066 | 3-8, 3-19 | 0258076 | 3-15 | 0272324 | 10-5 | 0274469 | 8-7 |
| 0060069 | 3-3, 3-19 | 0258077 | 3-15 | 0272333 | 1-7 | 0274470 | 8-7 |
| 0080181 | 2-22 | 0258217 | 3-21 | 0272334 | 1-7 | 0274471 | 8-7 |
| 0080201 | 2-40 | 0258286 | 1-3 | 0272381 | 3-3 | 0274472 | 8-7 |
| 0080241 | 2-61 | 0258338 | 3-21 | 0272418 | 10-2 | 0274473 | 8-7 |
| 0080243 | 2-22 | 0258382 | 2-47 | 0272427 | 4-11, 4-23 | 0274474 | 8-13 |
| 0100009 | 4-9, 7-18 | 0258384 | 3-22 | 0272429 | 7-17 | 0274475 | 8-13 |
| 0100011 | 1-3, 1-4, 1-7, 1-8, 1-19, 1-21, 2-3, 2-4, 2-22, 2-23, 2-24, 2-25, 2-30, 2-31, 2-32, 2-38, 2-39, 2-40, 2-47, 2-53, 2-57, 2-61, 2-63, 2-65, 2-68, 2-69, 2-70, 2-75, 2-79, 2-83, 2-87, 2-95, 3-3, 3-4, 3-8, 3-9, 3-11, 3-15, 3-16, 3-21, 3-22, 4-23, 5-3, 5-5, 5-7, 5-9, 5-11, 5-13, 5-15, 5-17, 5-25, 5-27 | 0258387 | 10-1 | 0272430 | 7-17 | 0274519 | 8-3, 8-7, 8-13 |
| | | 0258541 | 10-2 | 0272431 | 7-17 | 0274528 | 10-2 |
| | | 0258567 | 3-22 | 0272432 | 7-17 | 0274619 | 7-25, 10-2 |
| | | 0258654 | 10-1 | 0272433 | 7-20, 7-25 | 0274640 | 2-3, 3-21 |
| | | 0258670 | 2-4 | 0272435 | 2-91, 2-97, 10-2 | 0274641 | 2-3 |
| | | 0258671 | 8-4, 8-11, 8-14 | 0272444 | 4-23 | 0274642 | 2-3 |
| | | 0258674 | 2-61 | 0272448 | 10-2 | 0274643 | 2-3 |
| | | 0258703 | 10-3 | 0272507 | 2-61, 7-25 | 0274661 | 10-3 |
| | | 0258728 | 2-73 | 0272521 | 10-4 | 0274759 | 2-63 |
| | | 0258734 | 10-1 | 0272588 | 10-2 | 0274883 | 10-1 |
| | | 0258737 | 10-1 | 0272589 | 2-91, 10-2 | 0275039 | 2-83, 4-4 |
| | | 0258757 | 10-1 | 0272599 | 10-2 | 0275204 | 7-17 |
| | | 0258758 | 10-1 | 0272607 | 10-2 | 0275216 | 7-28 |
| | | 0258759 | 10-1 | 0272725 | 10-3 | 0275217 | 7-28 |
| | | 0258802 | 10-1 | 0272733 | 10-3 | 0275218 | 7-28 |
| | | 0258805 | 10-1 | 0272970 | 4-9, 4-10 | 0275219 | 7-28 |
| | | 0258826 | 10-5 | 0273122 | 10-2 | 0275257 | 2-95, 7-29, 10-4 |
| 0100019 | 2-15, 2-89, 2-95, 6-15 | 0258827 | 10-5 | 0273145 | 10-3 | 0275261 | 10-2 |
| | | 0258918 | 10-5 | 0273147 | 10-3 | 0275262 | 10-1 |
| 0100020 | 2-23, 2-25, 2-30, 2-38, 2-40, 2-47, 2-51, 2-90, 4-10, 6-13 | 0258945 | 4-11 | 0273149 | 10-3 | 0275452 | 7-28 |
| | | 0259147 | 2-15 | 0273249 | 10-2 | 0275453 | 7-28 |
| | | 0259420 | 3-12 | 0273353 | 10-4 | 0275454 | 7-28 |
| 0100035 | 3-21, 3-22, 4-9 | 0270396 | 2-47 | 0273364 | 10-5 | 0275546 | 2-63 |
| 0100038 | 3-11, 5-3, 5-5, 5-7, 5-9, 5-11, 5-13, 5-15, 5-17, 5-25, 5-27 | 0270885 | 1-7 | 0273378 | 1-4, 1-7, 1-19 | 0275733 | 3-22 |
| | | 0270886 | 1-7 | 0273431 | 7-17 | 0340041 | 2-22, 2-32, 2-40 |
| | | 0270888 | 1-7 | 0273432 | 7-17 | 0340046 | 2-22 |
| | | 0271002 | 2-15 | 0273434 | 7-17 | 0360406 | 1-22 |
| 0100048 | 2-38, 2-57, 2-61, 3-22, 4-9, 7-16, 7-20 | 0271083 | 1-7 | 0273484 | 4-4, 4-11, 7-2 | 0362519 | 2-51 |
| | | 0271084 | 1-7 | 0273485 | 4-4, 4-11, 7-2 | 0362609 | 3-22 |
| | | 0271085 | 1-7 | 0273575 | 10-1 | 0362726 | 1-4, 1-21 |
| | | 0271086 | 1-7 | 0273687 | 10-2 | 0362770 | 2-63 |
| 0100062 | 2-47, 2-90 | 0271090 | 1-7 | 0273704 | 1-7, 1-19 | 0362772 | 3-22 |
| 0100079 | 2-47 | 0271091 | 1-7 | 0273706 | 4-11, 4-23 | 0370022 | 5-17 |
| 0100081 | 2-69, 3-16, 4-9 | 0271340 | 4-11 | 0273824 | 4-11, 4-23 | 0370034 | 5-5 |
| 0140001 | 2-3 | 0271352 | 1-21 | 0274031 | 10-4 | 0400075 | 2-22, 2-30, 2-38 |
| 0140011 | 4-9 | 0271374 | 7-17 | 0274207 | 7-2, 10-4 | 0440244 | 2-15 |
| 0140032 | 2-61 | 0271375 | 7-17 | 0274232 | 1-7, 1-19 | 0480120 | 2-75 |
| 0181949 | 2-51 | 0271376 | 7-17 | 0274248 | 10-2 | 0480121 | 2-75, 2-79 |
| 0200048 | 4-23 | 0271377 | 7-17 | 0274252 | 1-21 | 0480125 | 2-89 |
| 0200742 | 2-79 | 0271422 | 2-61 | 0274264 | 1-3 | 0480126 | 2-89 |
| 0200819 | 2-75 | 0271768 | 2-61, 4-11 | 0274265 | 1-3 | 0480129 | 2-89 |
| 0232121 | 1-21, 1-22 | 0271912 | 10-1 | 0274266 | 1-19 | 0480142 | 2-83, 2-95 |
| 0255316 | 2-15 | 0272003 | 1-4 | 0274267 | 1-19 | 0561185 | 3-11 |
| 0255524 | 2-51 | 0272040 | 10-3 | 0274460 | 8-3 | 0561237 | 3-8 |
| 0256196 | 1-8 | 0272070 | 3-4, 3-9 | 0274461 | 8-3 | 0561295 | 3-15 |
| 0256202 | 7-25 | 0272131 | 3-8 | 0274462 | 8-7 | 0630427 | 3-21 |
| 0256789 | 10-1 | 0272254 | 10-4 | 0274463 | 8-7 | 0630462 | 4-23 |
| 0256823 | 2-65, 2-70 | 0272259 | 7-25 | 0274464 | 8-7 | 0630464 | 4-9 |
| 0257195 | 10-2 | 0272260 | 7-25 | 0274465 | 8-7 | 0630485 | 2-68 |
| 0257728 | 10-3 | 0272312 | 10-5 | 0274466 | 8-7 | 0630507 | 2-63, 2-68 |
| 0257764 | 3-11 | 0272313 | 10-5 | 0274467 | 8-7 | 0630518 | 2-57 |
| 0257887 | 2-61, 7-24 | 0272322 | 1-7 | 0274468 | 8-7 | 0630534 | 5-7, 5-13 |

SECTION 11 PARTS NUMBER INDEX

| Part Number | Page | Part Number | Page | Part Number | Page | Part Number | Page |
|-------------|--|-------------|--|-------------|------------------------------|-------------|---------------------------------|
| 0630535 | ..5-3, 5-15, 5-17, 5-25, 5-27 | 0641612 | 2-38, 2-40, 3-15, 3-16 | 0741609 | 1-21 | 0961947 | 3-8, 5-17 |
| 0630536 | 5-11 | 0641614 | 2-3, 2-47 | 0760606 | 2-25 | 0961951 | ..3-3, 3-15, 5-13, 5-15, 5-17 |
| 0630537 | 5-5, 5-9 | 0641615 | 3-11 | 0760610 | 2-25 | 0961977 | 5-21 |
| 0630548 | 2-57 | 0641616 | 3-11 | 0761210 | 2-25 | 0961986 | 2-22, 2-32, 2-40 |
| 0630568 | 4-11 | 0641618 | 2-89, 3-9 | 0771212 | 2-22 | 0962051 | 2-73 |
| 0641403 | 3-21, 3-22 | 0641622 | 3-11 | 0801132 | 3-3, 3-8, 3-11 | 0962102 | 1-3, 3-11, 3-15, 5-5, 5-9, 5-11 |
| 0641404 | 2-80, 2-88, 2-89, 3-3, 3-8, 4-9 | 0641624 | 3-12, 3-16 | 0801135 | 3-3, 3-15 | 0962122 | 3-11 |
| 0641405 | 2-83, 2-90, 2-95 | 0641640 | 3-16 | 0801136 | 3-8, 3-15 | 0962152 | 1-4, 1-21 |
| 0641406 | 2-22, 2-38, 2-40, 2-63, 2-88, 4-3, 8-4, 8-11, 8-14 | 0641710 | 2-83 | 0801138 | 3-15 | 0962155 | 5-13, 5-15 |
| 0641407 | 2-22, 2-24, 2-31, 2-32, 2-39, 2-58 | 0641772 | 2-75, 2-79 | 0801496 | 3-11 | 0962156 | 5-13 |
| 0641408 | ..2-3, 2-68, 2-70, 3-22, 4-3, 8-4, 8-11, 8-14 | 0641806 | 3-11, 5-25 | 0801573 | 3-15 | 0962185 | 5-13 |
| 0641410 | 2-30 | 0641808 | 2-22, 2-23, 2-30, 2-38, 2-39, 2-88, 2-95 | 0801591 | 3-15 | 0962270 | 4-7 |
| 0641414 | 4-9, 4-23 | 0641810 | 1-4, 1-21 | 0801594 | 3-11 | 0962292 | 1-21 |
| 0641416 | 2-3, 2-38, 3-8, 3-21 | 0641812 | 2-24, 2-31, 2-39, 2-53, 3-4, 3-9 | 0860038 | 2-88, 2-95, 7-26 | 0962335 | 3-8 |
| 0641418 | 2-3 | 0641818 | 2-32, 2-47, 2-68, 2-73 | 0860520 | 8-4, 8-11, 8-14 | 0962336 | 5-7 |
| 0641504 | 1-21 | 0641820 | 1-3, 2-22, 2-53, 3-3, 3-9 | 0861537 | 4-9, 4-11 | 0962348 | 1-21 |
| 0641505 | 2-87, 2-95 | 0641826 | 2-32, 2-41 | 0861538 | 2-88, 2-95 | 0962356 | 5-23 |
| 0641506 | 2-4, 2-58, 2-65, 2-70 | 0641828 | 2-40 | 0861541 | 2-90, 2-96 | 0962448 | 1-4, 1-21 |
| 0641507 | 2-22 | 0642010 | 2-24, 2-30, 2-38 | 0861542 | 2-87, 2-90, 2-95, 2-96, 7-30 | 0962449 | 2-76, 2-80 |
| 0641508 | 1-21, 2-24, 2-30, 2-39, 2-47, 2-61, 2-63, 2-68, 2-76, 2-80, 2-87 | 0642038 | 1-22 | 0861567 | 2-87, 2-90, 7-30 | 0962496 | 5-3 |
| 0641510 | 2-32, 2-83 | 0642212 | 1-3 | 0861572 | 2-88 | 0962520 | 2-88, 2-95 |
| 0641512 | 2-32 | 0642214 | 3-3, 3-9 | 0861682 | 10-4 | 0962521 | 2-95 |
| 0641514 | 2-39 | 0642612 | 2-61 | 0861731 | 7-26 | 0962524 | 5-25 |
| 0641516 | 2-87, 2-95, 3-3 | 0642620 | 3-3, 3-9 | 0861781 | 7-26 | 0962563 | 2-76 |
| 0641542 | 1-19 | 0642684 | 3-4, 3-9 | 0861782 | 7-26 | 1001091179 | 2-32 |
| 0641550 | 1-8 | 0651406 | 2-3 | 0861880 | 7-27 | 1001091315 | 7-17 |
| 0641552 | 5-27 | 0681608 | 1-3, 3-4, 3-9 | 0902143 | 2-63 | 1001091319 | 7-19 |
| 0641560 | 1-19 | 0681814 | 4-7 | 0902161 | 2-63 | 1001091323 | 7-18 |
| 0641604 | 3-3, 3-9 | 0681822 | 4-7 | 0902206 | 2-61 | 1001091324 | 7-19 |
| 0641605 | 3-11 | 0682016 | 1-4, 1-7 | 0902219 | 2-63 | 1001091330 | 7-17 |
| 0641606 | ..2-3, 2-22, 2-32, 2-40, 2-51, 2-64, 2-65, 3-3, 3-9, 3-11, 3-15, 3-16 | 0682023 | 2-15 | 0902223 | 2-63 | 1001091562 | 2-47 |
| 0641607 | ..2-47, 2-68, 3-9, 3-11, 3-15, 3-16 | 0682032 | 2-15 | 0902351 | 2-63 | 1001091587 | 2-38 |
| 0641608 | 1-3, 1-4, 1-19, 1-21, 2-22, 2-23, 2-25, 2-30, 2-38, 2-40, 2-63, 2-65, 3-3, 3-9, 3-11, 3-15 | 0682216 | 2-15 | 0902412 | 2-63 | 1001091794 | 2-41 |
| 0641609 | 2-22, 2-32, 2-40, 2-63, 2-68, 2-73, 3-11, 3-15 | 0700616 | 2-25, 2-69 | 0902415 | 2-4 | 1001091892 | 2-32, 2-41 |
| 0641610 | ..2-4, 2-22, 2-23, 2-30, 2-32, 2-40, 2-75, 2-79, 3-11, 4-3 | 0700620 | 2-25 | 0902426 | 2-63 | 1001091928 | 2-47 |
| 0641611 | 2-53, 3-3, 3-9 | 0700808 | 2-22, 2-25, 2-32 | 0902491 | 2-63 | 1001091969 | 7-25 |
| | | 0700810 | 2-40 | 0902751 | 4-9 | 1001091970 | 7-25 |
| | | 0700815 | 2-88 | 0902888 | 2-88, 2-95 | 1001091971 | 7-25 |
| | | 0700816 | 2-75 | 0903056 | 2-53 | 1001091972 | 7-25 |
| | | 0700820 | 2-83, 2-95 | 0903308 | 2-63 | 1001091973 | 7-25 |
| | | 0701010 | 2-22, 2-25 | 0903484 | 7-27 | 1001091974 | 7-25 |
| | | 0701012 | 2-22 | 0903510 | 2-38 | 1001091975 | 7-25 |
| | | 0701015 | 2-22 | 0903697 | 7-27 | 1001092092 | 10-1 |
| | | 0701016 | 2-83, 2-95 | 0940049 | 2-64, 2-68 | 1001092093 | 7-17 |
| | | 0701210 | 2-76 | 0940070 | 2-22, 2-32, 2-40 | 1001092145 | 7-25 |
| | | 0701414 | 2-22, 2-32 | 0940071 | 2-63 | 1001092384 | 7-20 |
| | | 0711214 | 2-22 | 0940103 | 4-23 | 1001093248 | 2-41 |
| | | 0720808 | 2-76, 2-80, 2-84, 2-92, 2-98 | 0940133 | 4-23 | 1001093382 | 2-23, 2-30, 2-38 |
| | | 0721006 | 2-63, 2-76, 2-80, 4-9 | 0940134 | 4-23 | 1001093389 | 10-1 |
| | | 0721008 | 2-64, 2-65 | 0940177 | 4-23 | 1001093746 | 10-1 |
| | | 0731005 | 4-23 | 0961893 | 5-7 | 1001093748 | 7-17 |
| | | 0741607 | 3-3, 3-9 | 0961894 | 5-15, 5-17 | 1001093943 | 2-32 |
| | | | | 0961895 | 5-3 | 1001094101 | 2-33 |
| | | | | 0961897 | 5-25, 5-27 | 1001094321 | 2-33 |
| | | | | 0961901 | 5-5, 5-9 | 1001094375 | 2-77, 2-80, 2-84, 2-92, 2-98 |
| | | | | 0961902 | 5-17 | 1001094400 | 3-22, 7-25, 9-2 |
| | | | | 0961903 | 5-11 | | |

SECTION 11 PARTS NUMBER INDEX

| Part Number | Page | Part Number | Page | Part Number | Page | Part Number | Page |
|-------------|---------------------------------------|-------------|------------------|-------------|---------------------------|-------------|--------------------|
| 1001094475 | ...2-76, 2-80, 2-84, 2-92, 2-98 | 1001100345 | 7-28 | 1001109558 | 7-26 | 1001112990 | 10-4 |
| 1001094509 | ...2-77, 2-80, 2-84, 2-92, 2-98, 7-29 | 1001100346 | 7-28 | 1001109595 | 2-23 | 1001112991 | 10-4 |
| 1001094595 | 2-24, 2-31, 2-40 | 1001100347 | 7-28 | 1001109648 | 7-27 | 1001112992 | 10-4 |
| 1001094661 | 3-11 | 1001101060 | 2-15, 2-18 | 1001109654 | 7-27 | 1001113047 | 2-68 |
| 1001094662 | 3-11 | 1001101067 | 1-7 | 1001110032 | 6-5, 6-9 | 1001114373 | 8-13 |
| 1001094889 | 2-15 | 1001101191 | 7-26, 7-28 | 1001110033 | 6-5, 6-9 | 1001114374 | 8-13 |
| 1001095354 | 2-24, 2-31, 2-40 | 1001101196 | 7-27 | 1001110058 | 10-3 | 1001114446 | 4-3, 4-12 |
| 1001095391 | 10-2 | 1001101197 | 7-27 | 1001110166 | 2-68 | 1001114448 | ... 4-3, 4-9, 7-16 |
| 1001095809 | 8-4, 8-10 | 1001101241 | 2-33 | 1001110199 | 2-57 | 1001114595 | 2-40 |
| 1001096141 | 8-4 | 1001101391 | 2-64 | 1001110204 | 2-24 | 1001114632 | 2-40 |
| 1001096736 | 3-22 | 1001101392 | 2-65 | 1001110207 | 2-24 | 1001114635 | 2-39 |
| 1001097051 | 7-18 | 1001101422 | 10-4 | 1001110214 | 2-23 | 1001114636 | 2-38, 2-70 |
| 1001097082 | 7-18 | 1001101600 | 2-30 | 1001110215 | 2-23 | 1001114637 | 2-39 |
| 1001097150 | 7-28 | 1001101623 | 2-65 | 1001110221 | 2-58, 7-20, 7-22 | 1001114638 | 2-38, 2-70 |
| 1001097243 | .. 1-4, 1-21, 5-23 | 1001101673 | 2-64 | 1001110222 | 2-58, 7-20, 7-22 | 1001115387 | 2-87, 7-29, 10-4 |
| 1001097407 | 1-8 | 1001102290 | 7-23 | 1001110225 | 2-58, 7-20 | 1001115389 | 2-87, 7-29, 10-4 |
| 1001097408 | 1-8 | 1001102291 | 7-23 | 1001110310 | 7-2 | 1001115398 | 2-87, 7-29, 10-4 |
| 1001097519 | 1-7 | 1001102304 | 7-23 | 1001110311 | 2-57 | 1001115400 | 2-87, 7-29, 10-4 |
| 1001097553 | 2-25 | 1001102599 | 2-57 | 1001110312 | 2-57 | 1001115404 | 2-75, 4-4 |
| 1001097964 | 2-65 | 1001102600 | 2-57 | 1001110313 | 2-57 | 1001115405 | 2-79, 4-4 |
| 1001097965 | 2-65 | 1001102644 | 2-76 | 1001110314 | 2-57 | 1001115409 | 2-79, 4-4 |
| 1001098149 | 10-4 | 1001102647 | 10-4 | 1001110315 | 2-57 | 1001115410 | 2-79 |
| 1001098234 | 7-31 | 1001103667 | 2-57, 9-1 | 1001110316 | 2-57 | 1001115413 | 2-75 |
| 1001098349 | 7-31 | 1001103810 | 1-4 | 1001110317 | 2-57 | 1001115414 | 2-75, 4-4 |
| 1001098506 | 2-30 | 1001104308 | 2-33 | 1001110318 | 2-57 | 1001115918 | 10-1 |
| 1001098507 | 2-31 | 1001105833 | 2-23 | 1001110319 | 2-57 | 1001116163 | 10-4 |
| 1001098508 | 2-32, 7-2 | 1001105872 | 2-41 | 1001110320 | 2-57 | 1001116287 | 2-30 |
| 1001099051 | 2-33 | 1001106339 | 7-21 | 1001110321 | 2-58, 7-2, 7-21 | 1001116288 | 2-30, 7-23 |
| 1001099121 | 2-65 | 1001106340 | 7-21 | 1001110322 | 2-58, 7-2, 7-21 | 1001116290 | 2-69, 2-70 |
| 1001099137 | 2-63 | 1001106355 | 4-9, 9-2 | 1001110323 | 2-58, 7-2, 7-21 | 1001116292 | 2-69, 2-70 |
| 1001099138 | 2-63, 2-64 | 1001106477 | 3-22 | 1001110324 | 2-58, 7-20, 7-22 | 1001116342 | 2-47 |
| 1001099139 | 2-65 | 1001106481 | 3-22 | 1001110434 | 4-9 | 1001116456 | 2-68 |
| 1001099421 | 10-4 | 1001106482 | 3-21 | 1001110872 | 2-87, 2-96, 7-29 | 1001116457 | 2-68 |
| 1001099422 | 10-4 | 1001106736 | 2-58, 7-21 | 1001110873 | .. 2-87, 2-96, 7-26, 7-29 | 1001116474 | 7-17, 10-1 |
| 1001099637 | 2-30 | 1001106974 | 2-53 | 1001111514 | 2-47 | 1001116544 | 2-41 |
| 1001099639 | 2-31 | 1001106975 | 2-53 | 1001112057 | 2-26 | 1001116545 | 2-41 |
| 1001099640 | 2-32 | 1001106992 | 6-16 | 1001112059 | 2-26 | 1001116562 | 2-68 |
| 1001099837 | 3-15 | 1001107116 | 2-22 | 1001112067 | 2-26, 9-1 | 1001116565 | 10-2 |
| 1001099840 | 3-15 | 1001107497 | 10-3 | 1001112068 | 2-26 | 1001116566 | 10-2 |
| 1001099869 | 2-76, 2-80 | 1001107529 | 2-53 | 1001112069 | 2-26 | 1001116595 | 2-26 |
| 1001099870 | 1-19 | 1001107530 | 2-53 | 1001112070 | 2-26 | 1001116618 | 2-68 |
| 1001100156 | 1-4 | 1001107677 | 4-10 | 1001112071 | 2-26 | 1001116846 | 8-8 |
| 1001100233 | 2-76, 2-80 | 1001107705 | 2-23 | 1001112072 | 2-26 | 1001116849 | 8-8 |
| 1001100234 | 2-76, 2-80 | 1001107753 | 4-10, 7-16 | 1001112073 | 2-26 | 1001116851 | 8-8 |
| 1001100321 | 2-75, 2-79 | 1001107926 | 4-12 | 1001112075 | 2-26 | 1001117040 | 2-65 |
| 1001100326 | 7-25 | 1001107927 | 4-12 | 1001112077 | 2-23, 2-25 | 1001117045 | 2-63, 2-64 |
| 1001100327 | 7-25 | 1001108256 | 4-11, 4-23 | 1001112078 | 2-23, 2-25 | 1001117052 | 2-47 |
| 1001100328 | 7-26 | 1001108495 | 8-4, 8-10 | 1001112551 | 8-14 | 1001117139 | 2-64 |
| 1001100329 | 7-26 | 1001108701 | 6-16, 10-3 | 1001112570 | 2-26 | 1001117140 | 2-65 |
| 1001100331 | 7-26 | 1001108763 | 4-12 | 1001112586 | 2-91, 7-2, 7-30 | 1001117172 | 4-4, 4-10 |
| 1001100333 | 7-26 | 1001108764 | 4-12 | 1001112587 | 2-91, 7-30 | 1001117174 | 4-9, 4-10 |
| 1001100337 | 7-26 | 1001108923 | 8-4 | 1001112588 | 7-2, 7-28 | 1001117209 | 2-68 |
| 1001100341 | 7-28 | 1001108962 | 10-2 | 1001112589 | 7-29 | 1001117219 | 2-68 |
| 1001100342 | 7-28 | 1001109064 | 2-26 | 1001112592 | 2-26 | 1001117234 | 2-68 |
| 1001100343 | 7-28 | 1001109065 | 2-22 | 1001112612 | 7-21 | 1001117236 | 2-68 |
| 1001100344 | 7-28 | 1001109263 | 10-1 | 1001112651 | 1-4, 1-21 | 1001117249 | 2-69 |
| | | 1001109475 | 7-27 | 1001112743 | 7-2, 7-28 | 1001117294 | 10-3 |
| | | 1001109477 | 7-27 | 1001112762 | 2-25, 7-23, 7-24 | 1001117307 | 2-69 |
| | | 1001109482 | 7-27 | 1001112849 | 2-26 | 1001117427 | 4-3 |

SECTION 11 PARTS NUMBER INDEX

| Part Number | Page | Part Number | Page | Part Number | Page | Part Number | Page |
|-------------|--------------------|-------------|--|-------------|------------------------|-------------|-------------------------------|
| 1001117428 | ... 4-3, 4-9, 7-16 | 1001121921 |8-10 | 1320288 | 3-16 | 1683740 | 1-4, 1-21, 5-21 |
| 1001117441 | 2-69 | 1001122200 |8-10 | 1320289 | 3-16 | 1683818 | 5-11 |
| 1001117503 | 2-68 | 1001122201 |8-10 | 1320318 | 2-88 | 1683821 | 5-9 |
| 1001117504 | 2-68 | 1001123000 |2-39 | 1320323 | 2-38 | 1683823 | 5-11 |
| 1001117523 | 2-69 | 1001125125 |7-19 | 1321384 |2-64, 2-65, 2-68 | 1683986 | 5-3 |
| 1001117525 | 2-69 | 1001125126 |7-19 | 1340060 |2-22, 2-32, 2-40 | 1684089 | 5-7 |
| 1001117568 | 2-69 | 1001125127 |7-19 | 1340061 | 10-1 | 1684090 | 5-7 |
| 1001117598 | 2-69 | 1001127087 |10-4 | 1380147 | 2-73 | 1684114 | 5-13 |
| 1001118133 | 2-47 | 1001127094 |10-2 | 1580011 | 2-22, 2-40 | 1684115 | 5-13 |
| 1001118236 | 2-69 | 1001128995 |10-2 | 1580012 | 4-4 | 1684125 | 5-15 |
| 1001118263 | 2-69 | 1001129555 | ... 4-9, 4-15, 9-1 | 1580013 | 4-4 | 1684126 | 5-15 |
| 1001118264 | 2-69 | 1060279 | 8-4, 8-11, 8-14 | 1600244 | 7-31, 10-5 | 1684191 | 5-3 |
| 1001118344 | 2-69 | 1060341 | 4-23, 7-30, 7-31 | 1600317 | 4-9, 4-15 | 1684228 | 3-8, 5-17 |
| 1001118345 | 2-69 | 1060343 | 2-90, 2-96, 7-30 | 1600318 | 4-9, 4-19 | 1684230 | 5-17 |
| 1001118416 | ... 4-9, 4-19, 9-1 | 1060494 | 2-90, 2-96, 7-29, 7-30 | 1660239 | 2-22 | 1684232 | 5-17 |
| 1001118417 | 4-9, 4-15 | | | 1670769 | 3-8 | 1684408 | 3-3, 5-17 |
| 1001118599 | 2-89 | 1060625 | 2-24, 2-31, 2-39 | 1670776 | 1-8 | 1684497 | 3-3, 3-8, 5-5 |
| 1001118716 | 2-69 | 1060626 | 2-25, 2-31, 2-39 | 1670824 | 3-22 | 1700584 | 8-4, 8-10, 8-13 |
| 1001118963 | 10-4 | 1060629 |10-5 | 1670829 | 2-57, 4-9 | 1700818 | 8-4, 8-11 |
| 1001118964 | 10-4 | 1060633 | 7-31 | 1670842 | 2-63, 2-68 | 1701499 | 8-3, 8-7, 8-13 |
| 1001119563 | 4-10 | 1060637 | 2-22, 2-30, 2-39 | 1670844 | 3-3, 3-8 | 1701501 | 8-3, 8-9, 8-13 |
| 1001119935 | 2-69 | 1060708 | 2-90, 2-96, 7-30, 7-31 | 1670850 | 3-3, 3-8 | 1701505 | ..2-24, 2-30, 8-4, 8-10, 8-13 |
| 1001120207 | 10-2 | | | 1670864 | 3-3 | | |
| 1001120508 | 2-69, 2-70 | 1060896 | 7-18 | 1671092 | 2-90, 2-97, 7-20, 7-30 | 1701509 | 8-3, 8-7, 8-13 |
| 1001120962 | 2-69 | 1060902 | 7-18, 7-19 | | | 1701518 | 8-13 |
| 1001121122 | 2-69 | 1060903 | 4-23 | 1671093 | 7-20 | 1701542 | 2-38, 8-4, 8-10 |
| 1001121123 | 2-69 | 1060904 | 2-32, 7-24 | 1671228 | 2-63, 2-64 | 1701543 | 2-38, 8-4, 8-11 |
| 1001121294 | 10-2 | 1060908 | 7-28 | 1671230 | 2-65 | 1701645 | 8-3 |
| 1001121306 | 10-2 | 1060918 | 4-4, 4-10, 7-16 | 1671231 | 2-64 | 1702565 | 4-9 |
| 1001121340 | 2-90, 2-91, 2-97 | 1060919 | 4-7 | 1671232 | 2-64 | 1702566 | 4-9 |
| 1001121655 | 8-10 | 1060978 | 7-18 | 1671233 | 2-63 | 1702567 | 4-9 |
| 1001121656 | 8-9 | 1120487 | 2-48 | 1671249 | 2-63, 2-64 | 1702676 | 4-12 |
| 1001121735 | 10-3 | 1120510 | 3-3, 3-8 | 1671311 | 2-95 | 1702701 | 1-7 |
| 1001121736 | 10-3 | 1120552 | 1-8 | 1683050 | 5-13 | 1702720 | 8-11 |
| 1001121737 | 10-3 | 1120601 | 2-64 | 1683053 | 5-7 | 1702739 | 1-7 |
| 1001121800 | 8-3 | 1180346 | 3-11 | 1683055 | 5-15, 5-17 | 1702773 | 4-7, 8-4, 8-10, 8-13 |
| 1001121801 | 8-3 | 1260017 | 1-21, 2-15 | 1683059 | 5-3 | 1702774 | 8-4, 8-10, 8-13 |
| 1001121802 | 8-9 | 1260135 | 1-22 | 1683061 | 5-27 | 1702788 | 8-4, 8-11, 8-14, 10-2 |
| 1001121803 | 8-9 | 1282571 | 7-2 | 1683071 | 5-5, 5-9 | 1702861 | 8-4, 8-10, 8-13 |
| 1001121804 | 8-9 | 1283309 | 6-16 | 1683074 | 5-17 | 1702868 | 8-3, 10-3 |
| 1001121805 | 8-9 | 1300019 | 1-8, 10-5 | 1683078 | 1-3, 5-3 | 1702938 | 4-11 |
| 1001121806 | 8-9 | 1320011 | 5-27 | 1683537 | 3-3, 3-8, 5-11 | 1702941 | 2-25, 2-31, 2-39 |
| 1001121807 | 8-9 | 1320012 | 2-40 | 1683539 | 5-11 | 1702942 | 2-25, 2-31, 2-39 |
| 1001121808 | 8-9 | 1320016 | 2-22, 2-32, 2-40 | 1683544 | 5-5 | 1702943 | 2-24, 2-31, 2-39 |
| 1001121809 | 8-9 | 1320022 | 2-24, 2-30, 2-33, 2-38, 2-40 | 1683547 | 3-3, 3-8, 5-9 | 1702944 | 2-25, 2-31, 2-39 |
| 1001121810 | 8-9 | | | 1683549 | 5-9 | 1702961 | 8-4, 10-2 |
| 1001121813 | 8-3 | 1320127 | 2-51 | 1683606 | 3-11, 5-27 | 1702962 | 8-4, 10-2 |
| 1001121814 | 8-4 | 1320159 | 3-3 | 1683607 | 3-15, 5-25 | 1703162 | 2-22, 2-32, 2-40 |
| 1001121815 | 8-10 | 1320176 | 2-24, 2-30 | 1683608 | 3-3, 5-13 | 1703175 | 8-4, 10-2 |
| 1001121816 | 8-10 | 1320218 | 2-51 | 1683609 | 3-8, 5-7 | 1703479 | 8-14, 10-2 |
| 1001121817 | 8-10 | 1320220 | 2-51 | 1683629 | 5-27 | 1703772 | 8-3, 8-9, 8-13 |
| 1001121818 | 8-10 | 1320223 | 2-22, 2-24, 2-25, 2-31, 2-32, 2-39, 2-40, 2-47 | 1683632 | 5-27 | 1703773 | 8-3, 8-9, 8-13 |
| 1001121819 | 8-10 | | | 1683647 | 5-25 | 1703797 | 8-3 |
| 1001121820 | 8-10 | | | 1683648 | 5-25 | 1703804 | 8-3 |
| 1001121821 | 8-10 | 1320224 | 2-25 | 1683663 | 5-25 | 1703805 | 8-3 |
| 1001121822 | 8-10 | 1320250 | 3-11 | 1683672 | 3-15, 5-25 | 1703811 | 8-3, 8-7, 8-13 |
| 1001121823 | 8-10 | 1320251 | 3-11 | 1683673 | 5-25 | 1703814 | 8-3, 8-7, 8-13 |
| 1001121891 | 2-39 | 1320256 | 7-20 | 1683675 | 5-25 | 1703923 | 8-8 |
| 1001121918 | 8-10 | 1320263 | 2-26, 3-16 | 1683682 | 3-8, 5-15 | 1703924 | 8-8 |

SECTION 11 PARTS NUMBER INDEX

| Part Number | Page | Part Number | Page | Part Number | Page | Part Number | Page |
|-------------|-----------------------|-------------|------------------|-------------|----------------|-------------|---|
| 1703925 | 8-8 | 1705387 | 2-91, 2-97 | 2080040 | 2-68, 4-3, 4-4 | 2220385 | 6-6, 6-10, 6-13 |
| 1703926 | 8-8 | 1705426 | 8-11 | 2080044 | 3-9 | 2220386 | 6-5, 6-10 |
| 1703927 | 8-8 | 1705427 | 8-11 | 2110404 | 6-5, 6-10 | 2220415 | 2-24, 2-31, 2-40, 6-13 |
| 1703935 | 8-8 | 1705429 | 8-11 | 2110406 | 6-3, 6-5, 6-9 | 2220418 | 2-51 |
| 1703936 | 8-8 | 1705430 | 8-11 | 2110408 | 6-3, 6-5 | 2220428 | 6-13 |
| 1703937 | 8-8 | 1705460 | 2-91, 2-97 | 2110606 | 6-3, 6-5, 6-9 | 2220429 | 6-13 |
| 1703938 | 8-8 | 1705461 | 2-91 | 2110808 | 6-5, 6-9 | 2220451 | 2-32, 2-45, 6-13 |
| 1703939 | 8-8 | 1705489 | 2-91 | 2110812 | 6-9 | 2220466 | 6-5, 6-10, 6-13 |
| 1703941 | 8-8 | 1705514 | 8-7 | 2111212 | 6-5 | 2220468 | 6-5, 6-9 |
| 1703942 | 8-8 | 1705822 | 8-13 | 2111616 | 6-5, 6-9 | 2220473 | 6-5, 6-10, 6-13 |
| 1703943 | 8-8 | 1705828 | 8-13 | 2120167 | 2-3 | 2220478 | 6-13 |
| 1703944 | 8-8 | 1705895 | 8-8 | 2120168 | 2-3, 9-1 | 2220479 | 2-45 |
| 1703945 | 8-8 | 1705896 | 8-8 | 2120209 | 2-3 | 2220490 | 6-13 |
| 1703947 | 8-8 | 1705897 | 8-8 | 2120210 | 2-3, 9-1 | 2220500 | 6-13 |
| 1703948 | 8-8 | 1705898 | 8-8 | 2130404 | 6-9 | 2220501 | 6-5, 6-10, 6-14, 6-15 |
| 1703949 | 8-8 | 1705901 | 8-7 | 2130406 | 6-9 | 2220502 | 6-13 |
| 1703950 | 8-8 | 1705902 | 8-9 | 2130604 | 6-9 | 2220574 | 6-13 |
| 1703951 | 8-8 | 1705903 | 8-8 | 2130606 | 6-6, 6-10 | 2220577 | 6-14 |
| 1703953 | 8-3 | 1705905 | 8-11 | 2130808 | 6-5, 6-9 | 2220577 | 6-14 |
| 1703959 | 8-4, 8-10, 8-13 | 1705910 | 8-11 | 2131616 | 6-9 | 2220582 | 2-45, 6-5, 6-9, 6-13 |
| 1703960 | 8-3, 8-9, 8-13 | 1705917 | 8-8 | 2150406 | 6-5, 6-9 | 2220591 | 6-10, 6-14 |
| 1703980 | 8-9 | 1705921 | 8-13 | 2150606 | 6-6, 6-10 | 2220593 | 6-13 |
| 1703981 | 8-9 | 1705961 | 8-13 | 2150808 | 6-9 | 2220596 | 6-5, 6-9, 6-13 |
| 1703982 | 8-9 | 1705967 | 8-8, 10-3 | 2151616 | 6-5, 6-10 | 2220602 | 6-5, 6-9, 6-13 |
| 1703983 | 8-9 | 1705968 | 8-8 | 2160003 | 2-15 | 2220603 | 6-15 |
| 1703984 | 8-9 | 1705969 | 8-8, 10-3 | 2170350 | 6-9 | 2220605 | 6-13 |
| 1704000 | 8-8, 10-3 | 1705977 | 8-10, 8-13 | 2170408 | 6-9 | 2220609 | 6-14 |
| 1704001 | 8-8, 10-3 | 1705978 | 8-13 | 2170504 | 6-3, 6-6, 6-9 | 2220618 | 6-5, 6-9, 6-13 |
| 1704006 | 8-7 | 1706059 | 2-31 | 2170506 | 6-3, 6-6, 6-10 | 2220619 | 6-13 |
| 1704007 | 8-7 | 1706060 | 2-31 | 2170508 | 6-6 | 2220622 | 6-5, 6-10 |
| 1704096 | 8-3 | 1706061 | 2-31 | 2170516 | 6-6 | 2220635 | 6-14 |
| 1704098 | 8-9 | 1706062 | 2-31 | 2180125 | 2-51 | 2220646 | 2-45 |
| 1704099 | 8-9 | 1706063 | 2-31 | 2180344 | 2-15 | 2220655 | 6-15 |
| 1704101 | 8-9 | 1706064 | 2-31 | 2180348 | 2-24, 2-30 | 2220737 | 6-13 |
| 1704102 | 8-9 | 1706098 | 2-31 | 2180380 | 6-15 | 2220738 | 6-5, 6-10 |
| 1704103 | 8-9 | 1706380 | 8-9 | 2180387 | 2-51 | 2220765 | 6-13 |
| 1704260 | 4-9 | 1706385 | 4-7 | 2180388 | 2-51 | 2220775 | 6-14 |
| 1704271 | 8-11 | 1706712 | 2-57 | 2180389 | 2-51 | 2220811 | 6-10 |
| 1704277 | 8-3, 8-7, 8-13 | 1707013 | 8-4 | 2180418 | 2-38, 2-51 | 2220852 | 6-13 |
| 1704412 | 8-3, 8-7, 8-13 | 1707014 | 8-3 | 2180615 | 5-9 | 2220873 | 6-13, 6-14 |
| 1704578 | 1-21 | 1707042 | 8-10 | 2180724 | 6-15 | 2220883 | 1-15, 1-16, 5-5, 5-7, 5-9, 5-11, 5-17, 5-27 |
| 1704885 | 8-4, 8-10, 8-13 | 1707043 | 8-10 | 2180877 | 2-41 | 2220885 | 5-3, 5-7, 5-17, 5-25, 5-27 |
| 1704972 | 2-31 | 1707044 | 8-10 | 2200222 | 2-47 | 2220886 | 1-15, 1-16, 5-3, 5-27 |
| 1705014 | 4-7 | 1707045 | 8-10 | 2200233 | 2-47 | 2220888 | 1-16, 5-5, 5-9, 5-11 |
| 1705084 | 8-13 | 1707046 | 8-10 | 2200005 | 2-38 | 2220893 | 2-3 |
| 1705090 | 1-22, 8-4, 8-10, 8-13 | 1707047 | 8-10 | 2220063 | 2-15 | 2220940 | 6-5, 6-10 |
| 1705132 | 4-9 | 1707048 | 8-10 | 2220221 | 2-45 | 2220947 | 6-13, 6-14 |
| 1705170 | 2-61, 4-11 | 1707049 | 8-10 | 2220237 | 6-5, 6-9 | 2220950 | 6-15 |
| 1705325 | 2-76, 2-80 | 1707051 | 8-10 | 2220261 | 2-51 | 2220999 | 6-13 |
| 1705336 | 8-3 | 1707052 | 8-10 | 2220313 | 2-24, 2-30 | 2221024 | 2-51 |
| 1705344 | 8-8 | 1707053 | 8-10 | 2220371 | 6-13 | 2221036 | 6-15 |
| 1705345 | 8-8 | 1707054 | 8-10 | 2220373 | 6-13 | 2221176 | 2-24, 2-30, 2-38 |
| 1705347 | 8-8 | 1707055 | 8-9 | 2220374 | 2-45 | 2221197 | 2-51 |
| 1705348 | 8-8 | 1707056 | 8-9 | 2220375 | 6-5, 6-9 | 2221270 | 2-47 |
| 1705351 | 8-4 | 1707057 | 8-9 | 2220376 | 6-13 | 2300004 | 2-24 |
| 1705364 | 1-8 | 1707058 | 8-9 | 2220377 | 6-5, 6-9 | 2300014 | 10-3 |
| 1705374 | 2-91, 2-97 | 1707059 | 8-9 | 2220379 | 6-13 | | |
| 1705375 | 2-91, 2-97 | 1707060 | 8-9 | 2220380 | 6-5, 6-9 | | |
| 1705376 | 2-90, 2-96 | 2060025 | 2-22, 2-32, 2-41 | 2220381 | 6-13 | | |

SECTION 11 PARTS NUMBER INDEX

| Part Number | Page | Part Number | Page | Part Number | Page | Part Number | Page |
|-------------|------------------------------|-------------|----------------|-------------|-----------------------------------|-------------|-----------------------|
| 2300016 | 1-7, 10-3 | 2751500 | 6-5, 6-9 | 2753688 | 6-6 | 2902065 | 2-33 |
| 2300021 | 10-3 | 2752434 | 6-5, 6-9 | 2753725 | 6-6 | 2902303 | 8-4, 8-11, 8-14 |
| 2300027 | 10-3 | 2752438 | 6-14 | 2753970 | 6-10 | 2902307 | 8-4 |
| 2300029 | 10-3 | 2752453 | 6-5, 6-9, 6-13 | 2753971 | 6-10 | 2902308 | 8-11 |
| 2300039 | 10-3 | 2752462 | 6-14 | 2754040 | 6-10 | 2902309 | 8-11 |
| 2300040 | 10-2 | 2752463 | 6-14 | 2754044 | 6-10 | 2902310 | 8-11 |
| 2300041 | 2-24 | 2752468 | 6-13 | 2754238 | 6-6 | 2902311 | 8-11 |
| 2360644 | 1-5 | 2752489 | 6-5, 6-10 | 2754240 | 6-6 | 2902312 | 8-11 |
| 2360645 | 1-5 | 2752494 | 6-5, 6-9, 6-14 | 2754242 | 6-6 | 2902322 | 8-11 |
| 2360646 | 1-5 | 2752585 | 6-14 | 2754243 | 6-6 | 2902329 | 8-14 |
| 2360647 | 1-5 | 2752671 | 6-14 | 2754337 | 6-10 | 2902353 | 8-3, 8-9, 8-13 |
| 2360686 | 1-5 | 2752673 | 6-5, 6-9 | 2754338 | 6-10 | 2902396 | 10-2 |
| 2360709 | 1-5 | 2752721 | 6-13 | 2754401 | 6-6, 6-10 | 2902401 | 2-30, 7-23, 7-24 |
| 2400060 | 2-91, 2-97, 7-21, 7-30 | 2752754 | 6-5, 6-9 | 2754402 | 6-6 | 2902443 | 7-23 |
| 2400064 | 2-91, 2-97, 7-30, 9-2 | 2752766 | 6-14 | 2754718 | 6-9 | 2902456 | 6-15 |
| 2400065 | 7-22, 9-1 | 2752767 | 6-14 | 2754719 | 6-10 | 2902457 | 6-15 |
| 2400066 | 7-22 | 2752768 | 6-14 | 2754720 | 6-10 | 2902459 | 6-15 |
| 2400070 | 7-31, 9-2 | 2752930 | 6-14 | 2754743 | 6-10 | 2902533 | 2-39, 7-23, 7-24 |
| 2410014 | 4-7 | 2752934 | 6-6, 6-10 | 2754744 | 6-10 | 2920028 | 4-11 |
| 2420165 | 2-76, 2-80, 2-84, 2-92, 2-98 | 2752978 | 6-14 | 2760105 | 2-57, 4-9 | 2920029 | 4-11 |
| 2420172 | 2-57 | 2752997 | 6-5, 6-9 | 2780227 | 1-11 | 2920095 | 7-31 |
| 2420203 | 2-75, 2-79, 2-83 | 2753006 | 6-14 | 2780229 | 1-4, 1-5 | 2920110 | 2-61 |
| 2460048 | 2-88, 2-95 | 2753007 | 6-14 | 2780272 | 1-7, 1-11 | 2920113 | 2-61 |
| 2460049 | 2-75, 2-79 | 2753008 | 6-14 | 2792365 | 6-13, 6-16 | 2920129 | 7-17, 7-21 |
| 2460050 | 2-88 | 2753009 | 6-14 | 2792366 | 6-13, 6-16 | 2920140 | 4-4, 7-31 |
| 2460051 | 2-83 | 2753010 | 6-13 | 2792629 | 6-16 | 2920215 | 2-61 |
| 2460055 | 2-75, 2-79 | 2753118 | 6-14 | 2792648 | 6-3, 6-16 | 2940045 | 2-68 |
| 2560136 | 4-9 | 2753123 | 6-14 | 2792700 | 6-16 | 2940074 | 4-3, 9-1 |
| 2560187 | 2-69 | 2753124 | 6-14 | 2792710 | 6-16 | 2940088 | 2-64, 2-65 |
| 2580024 | 2-25, 2-31, 2-39 | 2753125 | 6-14 | 2792711 | 6-9, 6-16 | 2940173 | 2-68 |
| 2580050 | 2-24, 2-31, 2-39 | 2753126 | 6-14 | 2792712 | 6-5, 6-16 | 2940188 | 2-64 |
| 2580055 | 2-25 | 2753128 | 6-14 | 2792745 | 6-9, 6-16 | 3020008 | 1-7 |
| 2580062 | 2-33 | 2753129 | 6-14 | 2820031 | 2-76, 2-80, 2-83, 2-89, 2-96, 4-4 | 3020016 | 2-24, 2-32 |
| 2580063 | 2-39 | 2753189 | 6-14 | 2820035 | 2-61, 4-4 | 3020044 | 2-24, 2-32 |
| 2600209 | 2-65 | 2753190 | 6-14 | 2820078 | 2-65, 2-70 | 3160347 | 1-7, 1-15 |
| 2600233 | 2-64 | 2753191 | 6-14 | 2820233 | 2-64 | 3160348 | 1-7, 1-15 |
| 2600244 | 2-63 | 2753192 | 6-14 | 2820234 | 2-64 | 3200362 | 2-32, 2-41 |
| 2600280 | 2-68 | 2753195 | 6-13 | 2820235 | 2-64 | 3200406 | 2-22, 2-32 |
| 2600281 | 4-3 | 2753196 | 6-13 | 2820235 | 2-64 | 3220113 | 2-22 |
| 2720058 | 2-22, 2-24, 2-30, 2-41 | 2753197 | 6-13 | 2840016 | 2-73 | 3250872 | 1-22, 8-4, 8-10, 8-13 |
| 2720144 | 2-51 | 2753199 | 6-13 | 2860012 | 2-79 | 3251102 | 2-76, 2-80, 2-83, 4-4 |
| 2720271 | 2-41 | 2753200 | 6-13 | 2860030 | 2-58, 9-1 | 3251242 | 8-13 |
| 2720392 | 2-38 | 2753216 | 6-13 | 2900708 | 2-3, 2-7 | 3251243 | 2-79, 2-83, 8-3, 8-7 |
| 2720398 | 2-32 | 2753231 | 6-13 | 2900752 | 2-45 | 3251813 | 8-3, 8-9 |
| 2720434 | 2-22 | 2753540 | 6-10 | 2900756 | 1-19 | 3252221 | 10-2 |
| 2720509 | 2-22 | 2753549 | 6-9 | 2900770 | 5-3 | 3252507 | 2-76, 2-80, 8-7 |
| 2720515 | 2-22 | 2753550 | 6-6, 6-10 | 2900792 | 5-5, 5-7, 5-9, 5-11, 5-17 | 3252764 | 2-87, 2-96 |
| 2720563 | 2-41 | 2753622 | 6-6, 6-10 | 2901207 | 2-4 | 3271605 | 5-27 |
| 2720564 | 2-41 | 2753624 | 6-3 | 2901271 | 5-3 | 3271805 | 2-53, 4-7 |
| 2720566 | 2-38 | 2753625 | 6-6, 6-10 | 2901273 | 5-27 | 3290405 | 2-38 |
| 2720567 | 2-38 | 2753626 | 6-6, 6-10 | 2901301 | 5-15, 5-18 | 3290505 | 2-38, 2-76, 2-80 |
| 2720580 | 2-38 | 2753627 | 6-3, 6-6, 6-10 | 2901303 | 5-7 | 3290507 | 2-25 |
| 2750532 | 2-24, 2-30, 2-32, 2-41 | 2753628 | 6-10 | 2901514 | 5-9 | 3290601 | 2-69 |
| 2751032 | 2-15 | 2753629 | 6-3 | 2901526 | 5-5 | 3290801 | 2-22 |
| 2751399 | 6-5, 6-9 | 2753630 | 6-3 | 2901526 | 5-5 | 3300007 | 1-4, 1-7 |
| | | 2753633 | 6-10 | 2901537 | 5-11 | 3300205 | 2-57 |
| | | 2753635 | 6-6 | 2901549 | 5-13 | 3300243 | 3-4, 3-9 |
| | | 2753685 | 6-6 | 2901556 | 5-18 | 3300353 | 4-9 |
| | | 2753686 | 6-10 | 2901712 | 5-25 | 3300364 | 2-68 |

SECTION 11 PARTS NUMBER INDEX

| Part Number | Page | Part Number | Page | Part Number | Page | Part Number | Page |
|-------------|---|-------------|------------------------|-------------|----------------------|-------------|--|
| 3300396 |2-90, 2-96 | 3340941 | 3-16 | 3510833 |4-3 | | 45 |
| 3300408 |2-57 | 3340943 | 3-16 | 3510868 |4-7 | 3600458 |2-4, 2-13 |
| 3310601 | 2-73, 2-76, 2-80, 2-84, 2-90, 2-92, 2-96, 2-98 | 3340966 | 1-21 | 3510884 |4-7 | 3620033 |2-32 |
| 3310605 |3-22 | 3380429 | 2-24, 2-30 | 3520028 |2-76 | 3620040 |2-41 |
| 3310801 |3-21 | 3380434 | 4-3 | 3520030 |2-68 | 3620047 |2-23 |
| 3310805 | 2-51, 2-76, 2-80, 2-84, 2-92, 2-98, 3-21 | 3380442 | 2-63 | 3520035 | ... 2-57, 3-21, 3-22 | 3641533 |2-92, 2-98 |
| 3311001 |2-63 | 3380444 | 2-63 | 3520054 |2-32, 4-9 | 3641569 |4-23 |
| 3311005 | 2-61, 2-64, 2-65, 2-76, 2-80, 2-83, 4-9 | 3380535 | 3-21, 3-22 | 3520072 |4-3, 4-7 | 3740049 | 2-57, 7-2, 7-30, 9-1 |
| 3311401 |1-22, 4-23 | 3380652 | 10-3 | 3520189 |7-30 | 3740067 | 2-23, 2-33, 2-41, 9-1 |
| 3311405 | 2-3, 2-22, 2-24, 2-31, 2-32, 2-38, 2-39, 2-41, 2-63, 2-68, 2-70, 2-83, 2-89, 2-96, 3-21, 3-22, 4-3, 8-4, 8-11, 8-14 | 3420292 | 1-22 | 3520198 |4-3 | 3740080 | 2-33, 2-76, 2-79, 2-83, 2-89, 2-96, 9-1, 9-2 |
| 3311501 |2-64, 2-68, 4-23 | 3420372 | 1-22 | 3536089 |4-4 | 3760133 |3-15 |
| 3311505 | 1-19, 2-22, 2-24, 2-30, 2-32, 2-39, 2-47, 2-63, 2-69, 2-70, 2-83, 2-87, 2-96, 3-4 | 3420447 | 1-22 | 3537416 |2-32 | 3760170 |1-22, 2-15 |
| 3311508 |2-87 | 3421565 | 2-15 | 3537445 |2-73 | 3760367 |5-3, 5-13 |
| 3311601 | 2-47, 2-63, 2-68, 2-96, 3-11, 4-11 | 3422446 | 2-24, 2-30, 2-38 | 3537446 |2-73 | 3760368 |5-7 |
| 3311602 |3-12 | 3422457 | 3-15 | 3538047 |1-3 | 3760369 |5-15, 5-17 |
| 3311605 | 2-23, 2-25, 2-31, 2-32, 2-38, 2-41, 2-63, 2-64, 2-68, 2-73, 2-76, 2-79, 3-9, 3-12, 3-16, 4-3, 4-7 | 3422532 | 2-24, 2-31, 2-40 | 3538758 |3-16 | 3760370 |5-27 |
| 3311705 |2-76, 2-79 | 3422561 | 3-8 | 3539219 |2-57 | 3760374 |5-5, 5-9 |
| 3311801 | 1-7, 2-23, 2-30, 2-90, 3-21 | 3422567 | 1-21 | 3539662 |1-22 | 3790012 | 2-38, 4-10, 4-11, 4-12 |
| 3311805 | 2-23, 2-32, 2-39, 2-41, 2-63, 2-68, 2-73, 3-4, 3-9 | 3422578 | 3-3 | 3539872 |2-32, 2-41 | 3790044 |2-25, 2-31, 2-40 |
| 3312001 |1-22 | 3422580 | 3-3 | 3539877 |1-3 | 3820001 | 1-22, 8-4, 8-10, 8-13 |
| 3312002 |2-15 | 3422582 | 3-3 | 3539878 |1-3 | 3820020 |4-3 |
| 3321501 |2-64 | 3422583 | 3-8 | 3539955 |2-65, 2-70 | 3841143 | 1-3, 1-4, 1-21, 2-24, 2-30, 2-38, 3-3, 3-8, 3-15 |
| 3322201 |2-53 | 3422681 | 3-3, 3-8 | 3539957 | ... 2-24, 2-30, 2-39 | 3841287 |1-3, 3-3, 3-8 |
| 3340764 |3-16 | 3422683 | 3-3, 3-8 | 3539971 |2-32 | 3841340 | ..2-3, 2-24, 2-30, 2-38, 3-3, 3-8, 3-12 |
| 3340828 |3-11 | 3422684 | 3-3, 3-8 | 3570686 |1-22 | 3841356 |3-3, 3-8 |
| 3340833 |5-27 | 3422685 | 3-3, 3-8 | 3570690 |1-19 | 3841406 |3-16 |
| 3340834 |5-27 | 3422686 | 3-3, 3-8 | 3570775 |5-25 | 3850018 |5-17 |
| 3340835 |3-3, 3-8, 3-11 | 3422687 | 3-3, 3-8 | 3570928 |3-21 | 3890040 |4-7 |
| 3340838 |5-25 | 3422688 | 3-3, 3-8 | 3570928 |3-21 | 3900054 |4-7 |
| 3340840 |3-16 | 3422689 | 3-3, 3-8 | 3571712 |2-63 | 3900139 |5-13 |
| 3340859 |3-12 | 3422690 | 3-15 | 3572280 |2-41 | 3900210 |2-68, 2-69, 2-70 |
| 3340871 |3-15 | 3422690 | 3-15 | 3572423 |2-47 | 3900232 |2-63, 2-65 |
| 3340877 |2-69, 2-70 | 3422701 | 1-4, 1-21 | 3572604 |5-27 | 3900239 |3-3, 3-9 |
| 3340881 |3-11, 3-15 | 3422702 | 1-3, 1-4, 1-21 | 3572605 |5-27 | 3900259 |3-15 |
| | | 3422703 | 1-3 | 3572606 |3-21 | 3900262 |3-12 |
| | | 3422729 | 3-3, 3-8 | 3572607 |3-21 | 3900268 |2-57 |
| | | 3422754 | 1-4, 1-21 | 3573001 |1-21 | 3900272 |2-24, 2-30, 2-39 |
| | | 3422755 | 1-3 | 3574091 |4-23 | 3900283 |3-16 |
| | | 3422813 | 1-21 | 3574206 |2-23 | 3900293 |2-15 |
| | | 3422848 | 1-21 | 3574207 |2-23 | 3900316 |2-68 |
| | | 3422860 | 3-8 | 3574208 |2-23 | 3900363 |2-69, 2-70 |
| | | 3422861 | 3-8 | 3574684 |2-75 | 3910606 |2-87, 2-96 |
| | | 3422867 | 3-8 | 3575359 |4-23 | 3910608 | 2-73, 2-76, 2-80, 2-84, 2-92, 2-98 |
| | | 3422972 | 1-4, 1-21 | 3575718 |1-19 | 3910610 |2-90, 2-96 |
| | | 3430816 | 2-73 | 3576755 |2-47 | 3910804 |2-57 |
| | | 3450404 | 2-73 | 3580134 |2-75, 2-79 | 3910808 |2-51 |
| | | 3460544 | 2-24 | 3580158 |2-79 | 3911040 |2-61 |
| | | 3470003 | 4-11 | 3580276 |2-75, 2-79 | 3930606 |3-22 |
| | | 3480176 | 5-3 | 3580312 |2-83, 2-96 | 3930816 |3-21, 3-22 |
| | | 3480188 | 5-15, 5-17 | 3580314 |2-96 | 3930824 |3-21, 3-22 |
| | | 3480210 | 5-7 | 3580317 |2-89 | 3931048 |2-8 |
| | | 3480211 | 5-27 | 3580318 |2-89 | | |
| | | 3480232 | 5-13 | 3580319 |2-89 | | |
| | | 3480233 | 5-17 | 3580320 |2-89 | | |
| | | 3480234 | 5-25 | 3580321 |2-89 | | |
| | | 3480236 | 5-11 | 3580322 |2-75 | | |
| | | 3480237 | 5-5 | 3580324 |2-83 | | |
| | | 3480238 | 5-9 | 3580348 |2-83, 2-96 | | |
| | | 3510822 | 4-3 | 3600295 |2-43, 2-45 | | |
| | | 3510830 | 4-3 | 3600400 | 2-24, 2-31, 2-40, 2- | | |

SECTION 11 PARTS NUMBER INDEX

| Part Number | Page | Part Number | Page | Part Number | Page | Part Number | Page |
|-------------|-----------------------------------|-------------|---|-------------|--|-------------|--|
| 3931436 | 3-21 | 4070969 | 3-16 | 4420051 | 1-22, 8-14 | 4460445 | 7-20, 7-25 |
| 3931448 | 5-25, 5-27 | 4070987 | 2-58 | 4420060 | 2-76, 2-80, 2-84, 2-92, 2-98, 3-22 | 4460457 | 7-22 |
| 3931464 | 3-21 | 4071009 | 2-15 | 4420068 | 4-23 | 4460458 | 2-97, 7-22, 7-23, 7-29, 7-30 |
| 3931508 | 5-27 | 4071052 | 3-16 | 4460007 | 4-10 | 4460460 | 7-22 |
| 3931516 | 5-7, 5-13 | 4071059 | 1-21 | 4460018 | 2-77, 2-80, 2-84, 2-92, 2-98 | 4460464 | 4-10, 7-16, 7-18, 7-19, 7-21, 7-22, 7-25 |
| 3931620 | 5-15, 5-17 | 4071122 | 2-38 | 4460027 | 2-75, 2-79, 2-83, 7-29 | 4460465 | 2-91, 2-97, 7-18, 7-21, 7-22, 7-24, 7-30 |
| 3931664 | 5-25 | 4100062 | 6-14 | 4460042 | 7-16 | 4460466 | 7-18, 7-22, 7-24 |
| 3931720 | 5-3, 5-27 | 4100100 | 5-7 | 4460049 | 4-23, 7-31 | 4460467 | 7-31, 10-5 |
| 3932240 | 5-5, 5-9, 5-11 | 4120035 | 7-17, 7-21 | 4460051 | 2-89, 2-96, 7-26, 7-30 | 4460470 | 2-58, 4-10, 7-16, 7-20, 7-21 |
| 3952020 | 2-15 | 4130388 | 1-21 | 4460071 | 2-89, 2-96, 4-4, 4-10, 7-16, 7-26, 7-30 | 4460471 | 2-58, 4-10, 7-16, 7-20, 7-21 |
| 3960389 | 2-31, 2-40, 2-63, 2-68 | 4130389 | 1-4 | 4460125 | 7-26 | 4460473 | 7-18 |
| 3960407 | 2-33 | 4130390 | 1-4, 1-21 | 4460134 | 7-27, 7-29 | 4460488 | 2-58 |
| 3960422 | 2-87, 2-96, 7-29 | 4160139 | 2-64 | 4460190 | 2-75, 2-79, 2-83 | 4460496 | 2-58 |
| 3960438 | 2-64 | 4160143 | 2-64 | 4460205 | 7-27, 7-29 | 4460497 | 2-58 |
| 3960453 | 2-63 | 4160194 | 2-68 | 4460224 | 7-16 | 4460499 | 2-11, 7-25 |
| 3960461 | 2-61 | 4220162 | 2-61 | 4460225 | 7-17, 7-30 | 4460508 | 7-16, 7-18, 7-21 |
| 3960462 | 2-64, 2-65, 2-68 | 4220191 | 2-23 | 4460226 | 4-10, 7-16, 7-22, 7-29, 7-30, 7-31 | 4460509 | 7-18 |
| 3960464 | 2-64, 2-65 | 4240018 | 2-68, 2-83, 2-88 | 4460227 | 7-16, 7-17, 7-20, 7-21, 7-24 | 4460510 | 7-31, 10-5 |
| 3960468 | 2-23, 2-33, 2-41 | 4240032 | 2-61, 2-76, 2-80, 2-84, 2-92, 2-98 | 4460233 | 7-27, 7-29 | 4460526 | 2-58, 7-20 |
| 3960469 | 2-23, 2-33, 2-41 | 4240099 | 4-4, 4-23 | 4460234 | 2-61, 2-76, 2-80, 2-84, 2-92, 2-98, 4-10, 4-23 | 4460536 | 7-20 |
| 3960470 | 2-64 | 4240113 | 2-47 | 4460267 | 7-20, 7-25 | 4460539 | 7-22 |
| 3960548 | 2-25 | 4280295 | 2-47 | 4460268 | 2-61, 7-20, 7-22, 7-23, 7-24, 7-25 | 4460598 | 7-31 |
| 3960549 | 2-25 | 4300111 | 2-96 | 4460315 | 2-90 | 4460607 | 2-92, 2-98 |
| 3980007 | 2-25, 2-31, 2-39 | 4300157 | 2-89 | 4460320 | 7-20, 7-24, 7-25 | 4460608 | 7-23 |
| 3990001 | 7-22 | 4340706 | 3-11 | 4460321 | 7-29, 7-31 | 4460634 | 7-17, 7-21 |
| 3990010 | 7-20, 9-1 | 4341239 | 2-41 | 4460326 | 7-20, 7-25 | 4460635 | 7-17, 7-21 |
| 4031608 | 2-76, 2-80 | 4341241 | 2-41 | 4460346 | 2-87, 2-96, 7-26, 7-29 | 4460693 | 7-23 |
| 4031709 | 2-25 | 4360031 | 4-3, 4-10 | 4460374 | 2-91, 2-97, 7-23, 7-29, 7-30 | 4460701 | 7-27, 7-29 |
| 4031911 | 2-23 | 4360057 | 4-23, 9-2 | 4460375 | 2-91, 2-97, 7-23, 7-30 | 4460705 | 7-29 |
| 4032015 | 2-88 | 4360070 | 2-90, 2-96, 9-2 | 4460411 | 2-91, 2-97 | 4460708 | 4-10, 7-16, 7-22 |
| 4060092 | 7-26 | 4360322 | 3-22 | 4460412 | 2-91, 2-97 | 4460709 | 7-27 |
| 4060700 | 7-29 | 4360328 | 2-58, 4-9, 4-11, 9-1, 9-2 | 4460413 | 2-91, 2-97 | 4460710 | 7-27 |
| 4060802 | 2-76, 2-80, 2-83, 2-87, 2-96, 4-4 | 4360330 | 4-9, 9-1 | 4460414 | 2-91, 2-97 | 4460742 | 2-97, 7-29, 7-30 |
| 4060805 | 2-23, 2-33, 2-41, 3-16, 3-21 | 4360331 | 4-11, 4-12, 9-2 | 4460415 | 2-91, 2-98 | 4460743 | 2-97, 7-29, 7-30 |
| 4060906 | 2-57 | 4360336 | 2-38, 2-76, 2-80, 2-83, 2-87, 2-96, 4-4, 4-11, 9-1, 9-2 | 4460418 | 7-17, 7-21 | 4460761 | 7-16, 7-21 |
| 4061032 | 2-69 | 4360387 | 4-9, 4-11, 9-1, 9-2 | 4460419 | 7-17, 7-21 | 4460865 | 7-18 |
| 4061043 | 7-29 | 4360407 | 4-9, 9-1 | 4460424 | 2-61, 7-20, 7-22, 7-24 | 4460866 | 7-16, 7-18, 7-21 |
| 4061049 | 2-89 | 4360436 | 2-47 | 4460425 | 2-90, 2-96, 4-11, 4-23, 7-30, 7-31 | 4460871 | 4-15, 4-16, 4-19, 4-20, 7-16, 7-17, 7-20, 7-21, 7-22, 7-24 |
| 4070410 | 2-64 | 4360469 | 2-58, 9-1 | 4460426 | 2-58, 2-90, 2-96, 4-4, 4-11, 7-20, 7-30, 7-31 | 4460873 | 7-17, 7-20 |
| 4070411 | 2-64 | 4360470 | 2-58, 9-1 | 4460428 | 4-10, 7-16 | 4460874 | 7-16, 7-21 |
| 4070412 | 2-64 | 4360475 | 2-58, 4-10, 9-1 | 4460434 | 7-17, 7-20 | 4460875 | 7-16, 7-21 |
| 4070450 | 1-22 | 4360476 | 2-58, 4-10, 9-1 | | | 4460876 | 7-21 |
| 4070560 | 1-22 | 4360498 | 3-21, 7-24, 9-2 | | | 4460878 | 7-21 |
| 4070561 | 1-22 | 4360499 | 3-21, 7-24, 9-2 | | | 4460879 | 7-17 |
| 4070585 | 2-80 | 4360517 | 2-54, 7-24, 9-1 | | | 4460880 | 7-20, 7-22 |
| 4070863 | 3-15 | 4360522 | 2-61, 4-11, 9-1 | | | 4460887 | 7-17, 7-21 |
| 4070864 | 3-15 | 4360542 | 2-75, 2-79, 2-83 | | | 4460891 | 7-18, 7-22, 7-24 |
| 4070878 | 1-3 | 4360549 | 3-22 | | | 4460892 | 7-21 |
| 4070879 | 1-3 | 4360578 | 3-21, 3-22, 9-2 | | | 4460894 | 7-21, 7-24 |
| 4070897 | 3-11, 3-15 | 4400275 | 2-51 | | | | |
| 4070898 | 3-11, 3-15 | 4400400 | 2-47 | | | | |
| 4070929 | 3-11 | 4400420 | 2-51 | | | | |
| 4070944 | 1-3 | 4400452 | 2-47, 2-48 | | | | |
| 4070945 | 1-3 | 4420038 | 2-47 | | | | |
| 4070967 | 3-11 | | | | | | |
| 4070968 | 3-11 | | | | | | |

SECTION 11 PARTS NUMBER INDEX

| Part Number | Page | Part Number | Page | Part Number | Page | Part Number | Page |
|-------------|------------------------------|-------------|--|-------------|--|-------------|--|
| 4460897 | 7-19, 7-25 | 4566468 | 5-15, 5-17 | 4740274 | 2-23, 2-33, 2-41 | 4844816 | 3-8 |
| 4460899 | 7-22 | 4567073 | 2-23 | 4740362 | 2-61, 4-3 | 4844817 | 3-8 |
| 4460905 | 4-10, 7-16, 7-20, 7-21, 7-22 | 4567139 | 6-13 | 4740397 | 2-80, 2-84, 4-4 | 4844958 | 2-15 |
| 4460906 | 2-83, 7-29 | 4567413 | 5-27 | 4740439 | 3-9 | 4845395 | 2-33 |
| 4460916 | 7-24 | 4567434 | 5-17 | 4740444 | 2-58 | 4845411 | 2-65 |
| 4460918 | 7-25 | 4567757 | 6-14 | 4740463 | 1-4, 1-21 | 4845593 | 3-3, 3-8 |
| 4460943 | 7-20, 7-21 | 4568119 | 2-47 | 4740472 | 1-3 | 4845658 | 1-3 |
| 4460944 | 7-22 | 4568721 | 2-23 | 4740473 | 1-4, 1-21 | 4845680 | 3-11 |
| 4460956 | 2-91, 2-98, 7-27 | 4568735 | 2-83, 2-96 | 4740500 | 2-65 | 4845701 | 3-16 |
| 4460957 | 2-92, 2-98, 7-28 | 4569371 | 2-26 | 4740508 | 2-39 | 4845702 | 3-16 |
| 4460958 | 2-87, 2-96, 7-29 | 4569385 | 2-38 | 4750600 | 2-90, 2-96 | 4845716 | 3-8 |
| 4460959 | 7-20 | 4620135 | 2-15 | 4750800 | 2-51, 2-77, 2-80, 2-84, 2-92, 2-98 | 4845729 | 3-16 |
| 4460960 | 7-20 | 4640113 | 1-8 | 4751000 | 2-61, 2-64, 2-65, 2-76, 2-80, 2-84, 4-10 | 4845730 | 3-16 |
| 4460961 | 7-29 | 4640261 | 1-22 | 4751400 | 1-22, 2-23, 2-25, 2-31, 2-33, 2-40, 2-41, 2-58, 2-64, 2-68, 2-70, 2-89, 3-21, 3-22, 4-3, 4-10, 4-23, 8-4, 8-11, 8-14 | 4846413 | 1-3 |
| 4460963 | 2-90, 2-97, 7-30 | 4640509 | 5-5, 5-7, 5-9, 5-11 | | | 4846452 | 4-3 |
| 4460967 | 2-91, 2-97, 7-30 | 4640605 | 5-5, 5-11, 5-17 | | | 4846507 | 1-22 |
| 4460968 | 2-76, 2-80, 3-21, 3-22 | 4640750 | 2-23 | | | 4846508 | 1-22 |
| 4460979 | 7-23 | 4640751 | 2-33 | | | 4846566 | 2-33 |
| 4461001 | 2-92, 2-98 | 4640780 | 6-14 | | | 4846573 | 3-4, 3-9 |
| 4461005 | 7-22, 7-24 | 4640858 | 5-3 | | | 4846673 | 4-23 |
| 4461006 | 7-22, 7-24 | 4640866 | 2-3 | | | 4846790 | 2-23 |
| 4461008 | 7-22, 7-24 | 4640921 | 2-3, 2-11 | | | 4846805 | 2-23 |
| 4461052 | 7-22, 7-24 | 4640922 | 2-3, 2-11 | | | 4846935 | 1-21 |
| 4461053 | 7-22, 7-24 | 4640929 | 3-21 | 4751500 | 2-23, 2-30, 2-38, 2-64, 2-65, 2-68, 2-70, 2-76, 2-80, 2-84, 2-87, 4-23 | 4860224 | 1-8 |
| 4461054 | 7-22, 7-24 | 4640932 | 5-17 | | | 4860225 | 1-8 |
| 4461060 | 7-22, 7-24 | 4640952 | 2-41 | | | 4891600 | 2-25, 2-53, 2-73, 2-84, 2-96, 3-4, 3-9 |
| 4461070 | 7-22 | 4641022 | 2-47 | 4751600 | 1-19, 2-4, 2-23, 2-25, 2-33, 2-38, 2-41, 2-47, 2-51, 2-64, 2-65, 2-68, 2-75, 2-79, 2-96, 4-3 | | |
| 4461071 | 7-23 | 4641027 | 5-9 | | | 4920385 | 2-41 |
| 4461072 | 7-23 | 4641032 | 5-27 | | | 4921829 | 7-29 |
| 4461073 | 7-23 | 4641033 | 5-25 | | | 4921927 | 2-3, 7-25 |
| 4461074 | 7-23 | 4641162 | 5-3 | | | 4921928 | 2-4, 7-25 |
| 4461077 | 7-25 | 4641192 | 2-7 | | | 4921955 | 7-29 |
| 4461095 | 7-22 | 4641303 | 1-19 | | | 4922215 | 7-19, 7-31 |
| 4461109 | 7-23 | 4641317 | 2-3 | | | 4922216 | 7-19, 7-31 |
| 4461111 | 7-23 | 4641435 | 3-21 | | | 4922217 | 7-19, 7-31 |
| 4461113 | 7-23 | 4641453 | 2-3, 2-7 | | | 4922218 | 7-19 |
| 4461121 | 7-22 | 4711400 | 2-3, 2-30, 2-33, 2-38, 2-41, 2-83, 2-88, 2-96, 3-21 | | | 4922219 | 7-19 |
| 4461122 | 7-22 | 4711500 | 1-19, 1-22, 2-4, 2-23, 2-38, 2-47, 2-61, 2-69, 2-70, 2-87, 2-96, 3-4, 4-11 | | | 4922220 | 7-19 |
| 4461123 | 7-22 | | | 4761000 | 2-64 | 4922557 | 2-58, 7-20 |
| 4461124 | 7-23 | | | 4761400 | 2-58, 2-90 | 4922575 | 7-17 |
| 4461157 | 7-23 | | | 4761500 | 2-87, 2-96 | 4922576 | 7-18 |
| 4461161 | 7-23 | | | 4761600 | 2-96 | 4922578 | 7-19, 7-20 |
| 4461196 | 7-27 | 4711600 | 1-3, 2-3, 2-23, 2-24, 2-31, 2-33, 2-41, 2-64, 2-89, 3-11, 3-12, 3-15, 3-16, 5-27 | | | 4922579 | 7-18 |
| 4461198 | 7-26 | | | 4811600 | 2-25, 2-76, 2-80 | 4922580 | 7-19 |
| 4461199 | 7-27 | | | 4811700 | 2-25 | 4922582 | 7-18 |
| 4461201 | 7-26 | | | 4811900 | 2-23, 2-25, 2-75, 2-84, 2-89, 2-96 | 4922637 | 7-22 |
| 4461202 | 7-27 | | | | | 4922641 | 2-91, 2-97, 7-28, 7-30 |
| 4461204 | 7-26 | 4711700 | 2-83 | 4812000 | 2-25 | | |
| 4461205 | 7-27 | 4711800 | 2-73, 2-88, 2-96, 4-7 | 4812100 | 2-23, 2-25, 2-76 | 4922643 | 7-2, 7-30 |
| 4461207 | 7-26 | 4740036 | 1-22 | 4812200 | 2-33 | 4922666 | 4-10, 7-16 |
| 4461222 | 7-23 | 4740057 | 2-15 | 4821397 | 4-23 | 4922737 | 2-30 |
| 4461244 | 7-26 | 4740076 | 2-64 | 4831900 | 2-41 | 4922773 | 7-19 |
| 4461245 | 7-26 | 4740111 | 1-4, 1-21 | 4832000 | 2-23 | 4922774 | 7-19 |
| 4461246 | 7-26 | 4740119 | 2-73 | 4843777 | 1-22 | 4922775 | 7-19 |
| 4461249 | 7-27 | 4740155 | 1-21 | | | | |
| 4520252 | 1-8 | 4740171 | 2-64 | | | | |
| 4520253 | 1-8 | 4740256 | 1-4, 1-21 | | | | |

SECTION 11 PARTS NUMBER INDEX

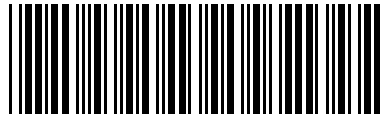
| Part Number | Page | Part Number | Page | Part Number | Page | Part Number | Page |
|-------------|------------------|-------------|------------------|-------------|------------|-------------|------------|
| 4922868 | 7-19 | 70001068 | 2-13 | 70002212 | 2-54 | 7000281 | 2-18 |
| 4922925 | 2-89, 2-96, 7-30 | 70001069 | 2-13 | 70002234 | 2-34 | 70002818 | 2-91, 2-97 |
| 4923379 | 2-33, 7-2, 7-24 | 70001100 | 2-88, 2-95 | 7000224 | 1-11 | 70002819 | 2-91, 2-97 |
| 4923420 | 2-97, 7-30 | 70001103 | 2-48 | 70002255 | 2-89, 2-95 | 7000282 | 1-11 |
| 4923445 | 7-29 | 70001120 | 2-26 | 7000228 | 2-18 | 70002820 | 2-91, 2-97 |
| 4923462 | 7-18 | 70001126 | 2-34 | 7000229 | 2-18 | 70002821 | 2-91, 2-97 |
| 4923466 | 7-18, 7-19 | 70001132 | 2-33 | 70002290 | 2-89, 2-95 | 70002822 | 2-91, 2-98 |
| 4923485 | 7-19 | 70001248 | 2-54 | 70002297 | 2-88, 2-95 | 70002823 | 2-91, 2-98 |
| 4923486 | 7-19 | 70001384 | 2-88, 2-95 | 7000230 | 2-18 | 70002824 | 2-92, 2-98 |
| 4923487 | 7-19, 7-20 | 70001385 | 2-88, 2-95 | 7000231 | 1-11 | 70002825 | 2-92, 2-98 |
| 4923488 | 7-19 | 70001435 | 2-34 | 7000235 | 1-11 | 70002826 | 2-92, 2-98 |
| 4923489 | 7-18 | 70001696 | 2-89, 2-95 | 7000236 | 1-11 | 7000283 | 1-11 |
| 4923490 | 7-18 | 70001697 | 3-19 | 7000238 | 1-11 | 70002833 | 2-26 |
| 4923613 | 7-18 | 70001742 | 2-26 | 7000239 | 1-11 | 70002834 | 2-26 |
| 4933218 | 7-2 | 70001835 | 2-34 | 70002390 | 1-19 | 70002835 | 2-26 |
| 4933231 | 7-2 | 70001836 | 2-34 | 7000240 | 1-11 | 7000284 | 1-11 |
| 4933307 | 7-2 | 70001837 | 2-34 | 70002415 | 2-34 | 70002843 | 2-26 |
| 4933349 | 2-97, 7-2, 7-30 | 70001838 | 2-34 | 70002416 | 2-34 | 70002844 | 2-26 |
| 4933350 | 7-2, 7-28 | 70001839 | 2-34 | 70002417 | 2-34 | 70002845 | 2-27 |
| 70000017 | 10-5 | 70001841 | 2-34 | 7000246 | 2-18 | 70002846 | 2-27 |
| 70000122 | 2-75, 2-79 | 70001847 | 2-34 | 70002460 | 2-89, 2-95 | 70002847 | 2-27 |
| 70000123 | 2-75, 2-79 | 70001848 | 2-33 | 70002479 | 2-27 | 70002848 | 2-27 |
| 70000164 | 2-40 | 70001850 | 2-33 | 7000248 | 2-18 | 70002849 | 2-27 |
| 70000342 | 3-19 | 70001866 | 2-34 | 7000253 | 2-18 | 7000285 | 1-11 |
| 70000345 | 2-34 | 70001868 | 2-34 | 7000255 | 2-18 | 70002850 | 2-27 |
| 70000579 | 2-8 | 70001870 | 2-34 | 7000257 | 2-18 | 70002851 | 2-27 |
| 70000580 | 2-8 | 70001872 | 2-34, 7-24 | 7000265 | 1-5, 1-11 | 70002852 | 2-26 |
| 70000582 | 2-8, 9-1 | 70001874 | 2-34 | 70002705 | 2-22 | 7000287 | 1-11 |
| 70000583 | 2-8 | 70001941 | 2-61 | 70002706 | 2-22 | 7000288 | 1-11 |
| 70000619 | 2-88, 2-95 | 70001953 | 2-88, 2-95 | 70002716 | 2-47, 2-48 | 7000289 | 1-11 |
| 70000781 | 1-19 | 70001966 | 2-88, 2-95 | 7000272 | 1-11 | 70002895 | 2-40, 9-1 |
| 70000782 | 2-18 | 70001969 | 2-88 | 70002724 | 4-19 | 7000290 | 1-12 |
| 70000793 | 2-33 | 70001970 | 2-88 | 70002725 | 4-19 | 70002902 | 4-4, 4-10 |
| 70000794 | 1-15 | 70001971 | 2-88 | 70002726 | 4-19 | 70002903 | 4-4, 4-10 |
| 70000795 | 1-15 | 70001972 | 2-88, 2-89 | 70002727 | 4-19, 4-20 | 70002904 | 4-4, 4-10 |
| 70000797 | 1-15 | 70001973 | 2-89, 2-95 | 70002728 | 4-19 | 70002905 | 4-4, 4-10 |
| 70000863 | 2-88, 2-95 | 70001974 | 2-88, 2-89, 2-95 | 70002729 | 4-20 | 70002906 | 4-16 |
| 70000912 | 2-34 | 70001991 | 2-88 | 7000273 | 1-11 | 70002946 | 2-7 |
| 70000913 | 2-34 | 70001992 | 2-88 | 70002730 | 4-15 | 70003454 | 2-54 |
| 70000914 | 2-34 | 70002013 | 3-15, 9-2 | 70002731 | 4-15 | 7000625 | 4-3, 4-10 |
| 70000915 | 2-34 | 70002014 | 3-15 | 70002732 | 4-16 | 7000645 | 2-8, 9-1 |
| 70000916 | 2-34 | 70002065 | 2-18 | 70002733 | 4-16 | 7000663 | 2-34 |
| 70000917 | 2-34 | 70002066 | 2-18 | 70002734 | 4-16 | 7000731 | 1-12 |
| 70000918 | 2-34 | 70002067 | 2-18 | 70002735 | 4-16 | 7001498 | 2-45 |
| 70000919 | 2-34 | 70002068 | 2-18 | 7000274 | 1-11 | 7001901 | 1-11 |
| 70000934 | 2-3 | 70002069 | 2-18 | 70002744 | 5-23 | 7001902 | 1-11 |
| 70000970 | 2-13 | 70002070 | 2-18 | 70002745 | 5-23 | 7001903 | 1-11 |
| 70000976 | 2-13 | 70002071 | 2-18 | 70002746 | 5-23 | 7001906 | 1-11 |
| 70001017 | 2-22 | 70002072 | 2-18 | 70002747 | 5-23 | 7001928 | 1-11 |
| 70001051 | 2-26 | 70002073 | 2-18 | 70002748 | 5-23 | 70020808 | 7-24 |
| 70001059 | 2-13 | 70002074 | 2-19 | 70002749 | 5-23 | 7002821 | 7-31, 10-5 |
| 70001060 | 2-13 | 70002075 | 2-18, 2-19 | 7000275 | 1-11 | 7002822 | 10-5 |
| 70001061 | 2-13 | 70002085 | 2-19 | 70002750 | 5-23 | 7002823 | 7-31, 10-5 |
| 70001062 | 2-13 | 70002086 | 2-19 | 70002751 | 5-23 | 7002826 | 10-5 |
| 70001063 | 2-13 | 70002088 | 2-88, 2-95 | 70002761 | 2-27 | 7002828 | 7-31 |
| 70001064 | 2-13 | 7000213 | 1-11 | 70002762 | 2-27 | 7002840 | 10-5 |
| 70001065 | 2-13 | 7000217 | 2-18 | 70002763 | 2-27 | 7003928 | 4-15 |
| 70001066 | 2-13 | 7000220 | 1-11 | 70002764 | 2-27 | 7003933 | 4-19 |
| 70001067 | 2-13 | 70002200 | 2-34 | 70002765 | 2-26 | 7003935 | 4-19 |

SECTION 11 PARTS NUMBER INDEX

| Part Number | Page | Part Number | Page | Part Number | Page | Part Number | Page |
|-------------|------------|-------------|-----------------------|-------------|----------------|-------------|------------------|
| 7003941 | 4-19 | 7007494 | 2-44 | 7017047 | 1-12 | 7019142 | 4-15 |
| 7003946 | 4-19 | 7007496 | 2-45 | 7017048 | 1-11 | 7019143 | 4-15 |
| 7003953 | 4-15 | 7007497 | 2-45, 7-24 | 7017050 | 1-12 | 7019144 | 4-15 |
| 7003969 | 4-19 | 7007498 | 2-45, 7-24 | 7017051 | 1-5 | 7019145 | 4-15 |
| 7003972 | 4-20 | 7007633 | 2-18 | 7017052 | 1-5 | 7019147 | 4-15 |
| 7003973 | 4-20 | 7010116 | 2-45 | 7017053 | 1-5 | 7019149 | 4-15 |
| 7003976 | 4-15 | 7010122 | 2-45 | 7017054 | 1-5 | 7019150 | 4-15 |
| 7003977 | 4-15 | 7010404 | 1-5 | 7017055 | 1-5 | 7019151 | 4-19 |
| 7003980 | 4-20 | 7010405 | 1-5 | 7017056 | 1-5 | 7019154 | 4-19 |
| 7003982 | 4-20 | 7010406 | 1-5 | 7017057 | 1-5 | 7019155 | 4-19 |
| 7003983 | 4-20 | 7010464 | 1-11 | 7017058 | 1-5 | 7019160 | 4-19 |
| 7003986 | 4-19 | 7010492 | 2-18 | 7017068 | 1-12 | 7019161 | 4-19 |
| 7003989 | 4-20 | 7010542 | 2-7 | 7017070 | 2-18 | 7019162 | 4-19 |
| 7003992 | 4-15, 4-19 | 7010543 | 2-3, 2-7, 2-8 | 7017072 | 2-18 | 7019164 | 4-20 |
| 7003993 | 4-15, 4-19 | 7010545 | 2-8 | 7017080 | 2-18 | 7019165 | 4-20 |
| 7003994 | 4-19 | 7010903 | 2-13 | 7017085 | 2-18 | 7019166 | 4-20 |
| 7004035 | 2-19 | 7010944 | 2-13 | 7017158 | 3-19 | 7019167 | 4-20 |
| 7004036 | 2-19 | 7011008 | 2-13 | 7017159 | 3-19 | 7019168 | 4-19 |
| 7004043 | 2-19 | 7011022 | 2-13 | 7017162 | 3-19 | 7019171 | 4-15 |
| 7004044 | 2-19 | 7011043 | 2-13 | 7017163 | 3-19 | 7019174 | 4-15 |
| 7004045 | 2-19 | 7011044 | 2-13 | 7017164 | 3-19 | 7019177 | 4-15 |
| 7004047 | 2-19 | 7011048 | 2-13 | 7017183 | 3-19 | 7019194 | 4-20 |
| 7004049 | 2-19 | 7011112 | 5-17 | 7017193 | 3-19 | 7019197 | 4-15 |
| 7004275 | 10-5 | 7011333 | 3-21 | 7017210 | 5-21 | 7019656 | 2-41 |
| 7004276 | 10-5 | 7011342 | 3-21 | 7017211 | 5-21 | 7019658 | 2-47 |
| 7006137 | 9-2 | 7012513 | 2-75, 2-79, 2-83 | 7017213 | 5-21 | 7019680 | 2-75, 2-79, 2-83 |
| 7007208 | 2-43 | 7012514 | 2-75, 2-79, 2-83 | 7017214 | 5-21 | 7020020 | 2-3 |
| 7007412 | 2-45 | 7012558 | 2-75, 2-79, 2-83 | 7017215 | 5-21 | 7020021 | 2-3 |
| 7007413 | 2-43 | 7012664 | 2-22, 2-32, 2-40, 9-1 | 7017236 | 5-21 | 7020064 | 3-11 |
| 7007414 | 2-43 | 7012770 | 2-8, 2-11 | 7017420 | 2-7, 2-11 | 7020065 | 3-11 |
| 7007417 | 2-43 | 7012772 | 2-7, 2-8, 2-11, 9-1 | 7017421 | 2-11 | 7020066 | 3-11 |
| 7007419 | 2-43 | 7012773 | 2-7, 2-8, 2-11 | 7017422 | 2-11 | 7020067 | 3-11 |
| 7007423 | 2-43 | 7012774 | 2-8, 2-11 | 7017423 | 2-7 | 7020108 | 2-75, 2-79, 2-83 |
| 7007425 | 2-43 | 7012775 | 2-7 | 7017427 | 2-7 | 7020109 | 2-75, 2-79, 2-83 |
| 7007435 | 2-43 | 7012776 | 2-11 | 7017428 | 2-7, 2-8 | 7020110 | 2-75, 2-79, 2-83 |
| 7007437 | 1-16, 2-43 | 7012777 | 2-11 | 7017475 | 2-8 | 7020111 | 2-75, 2-79, 2-83 |
| 7007438 | 1-15, 2-43 | 7012914 | 2-7 | 7017477 | 2-8 | 7020175 | 2-58, 4-10 |
| 7007439 | 1-15, 2-43 | 7012918 | 2-7 | 7017478 | 2-8 | 7020176 | 2-58, 4-10 |
| 7007441 | 2-43 | 7012941 | 2-3, 2-8 | 7018912 | 2-7, 2-8, 2-11 | 7020190 | 2-75, 2-79, 2-83 |
| 7007442 | 2-43 | 7012944 | 2-3, 2-8, 9-1 | 7018941 | 2-7 | 7020193 | 7-29 |
| 7007446 | 1-15, 2-43 | 7012953 | 2-8, 2-11, 3-21 | 7018942 | 2-8, 2-11 | 7020246 | 2-57 |
| 7007452 | 2-43 | 7012959 | 2-3 | 7018945 | 2-8, 2-11 | 7020408 | 2-34 |
| 7007453 | 2-45 | 7012965 | 2-11 | 7018946 | 2-11 | 7020449 | 2-34 |
| 7007454 | 2-44 | 7012970 | 3-21 | 7018947 | 2-11 | 7020459 | 2-34 |
| 7007457 | 2-44 | 7012989 | 2-8 | 7018948 | 2-11 | 7020465 | 2-33 |
| 7007463 | 2-44 | 7012998 | 2-7, 2-8, 2-11 | 7018951 | 2-8 | 7020468 | 2-33 |
| 7007464 | 2-44 | 7013189 | 2-53 | 7018991 | 2-7, 9-1 | 7020471 | 2-34 |
| 7007465 | 2-44 | 7016314 | 2-48 | 7018992 | 2-7 | 7020479 | 2-34 |
| 7007466 | 2-44 | 7016331 | 2-33, 9-1 | 7018993 | 2-7 | 7020487 | 2-33 |
| 7007470 | 2-43 | 7016399 | 4-4 | 7018994 | 2-7 | 7021200 | 2-43 |
| 7007472 | 2-44 | 7016522 | 9-2 | 7019103 | 4-19 | 7021201 | 2-43 |
| 7007474 | 2-45 | 7016652 | 10-5 | 7019110 | 4-19 | 7021202 | 2-43 |
| 7007475 | 2-45 | 7016654 | 10-5 | 7019111 | 4-15, 4-19 | 7021203 | 2-43 |
| 7007478 | 2-45 | 7016655 | 10-5 | 7019112 | 4-19 | 7021205 | 2-43 |
| 7007483 | 2-44 | 7016824 | 2-30, 2-39, 7-23 | 7019114 | 4-19 | 7021206 | 2-44 |
| 7007484 | 2-44 | 7016825 | 2-30, 2-39, 7-23 | 7019115 | 4-19 | 7021207 | 2-44 |
| 7007485 | 2-44 | 7017023 | 2-18 | 7019122 | 4-15 | 7021208 | 2-44 |
| 7007487 | 2-44 | 7017028 | 2-19 | 7019123 | 4-15 | 7021209 | 2-44 |
| 7007488 | 2-44 | 7017033 | 1-11 | 7019141 | 4-15 | 7021212 | 2-44 |

SECTION 11 PARTS NUMBER INDEX

| Part Number | Page | Part Number | Page | Part Number | Page | Part Number | Page |
|-------------|------------------|-------------|------------|-------------|------------------|-------------|------------------|
| 7021213 | 2-44 | 7024100 | 2-19 | 7024784 | 2-19 | 7027030 | 2-25, 7-23 |
| 7021214 | 2-44 | 7024146 | 1-11 | 7024828 | 2-45 | 7027031 | 2-25, 7-23 |
| 7021218 | 2-44 | 7024147 | 1-11 | 7024854 | 1-16 | 7027412 | 2-23 |
| 7021219 | 2-44 | 7024148 | 1-11 | 7024862 | 1-15 | 7027740 | 1-15 |
| 7021220 | 2-44 | 7024149 | 1-11 | 7024867 | 1-15 | 7027741 | 1-16 |
| 7021221 | 2-44 | 7024151 | 1-11 | 7024868 | 1-15 | 7027790 | 2-34 |
| 7021222 | 2-44 | 7024154 | 1-11 | 7024871 | 1-16 | 7027791 | 2-34 |
| 7021223 | 2-44 | 7024155 | 1-11 | 7024881 | 1-19 | 7027792 | 2-34 |
| 7021226 | 2-45 | 7024182 | 1-12 | 7026188 | 2-89, 2-95 | 7027793 | 7-24 |
| 7021227 | 2-45 | 7024189 | 1-12 | 7026197 | 2-53 | 7027795 | 2-34, 9-1 |
| 7021228 | 2-45 | 7024190 | 1-12 | 7026199 | 2-75, 2-79, 2-83 | 7027796 | 2-34, 7-24 |
| 7021229 | 2-45 | 7024191 | 1-12 | 7026503 | 2-53 | 7027799 | 2-89, 2-95 |
| 7021230 | 2-45 | 7024192 | 1-12 | 7026504 | 2-53 | 7027887 | 2-75, 2-83 |
| 7021231 | 2-45 | 7024193 | 1-12 | 7026505 | 2-54 | 7027965 | 2-40, 9-1 |
| 7021249 | 1-15 | 7024194 | 1-12 | 7026506 | 2-54 | 7027972 | 2-40, 9-1 |
| 7021275 | 1-15 | 7024195 | 1-12 | 7026507 | 2-54 | 77143013 | 2-57 |
| 7021276 | 1-15 | 7024196 | 1-12 | 7026509 | 2-54 | 80424002 | 2-18 |
| 7021277 | 1-15 | 7024197 | 1-12 | 7026511 | 2-53 | 80424043 | 2-19 |
| 7021310 | 2-8 | 7024379 | 2-19 | 7026597 | 2-89, 2-95 | 80934561 | 2-53 |
| 7021601 | 2-8 | 7024380 | 2-19 | 7026608 | 2-34 | 8229242 | 7-21 |
| 7021602 | 2-7 | 7024381 | 2-19 | 7026631 | 2-33 | 8303541 | 2-25 |
| 7021625 | 1-19 | 7024390 | 2-19 | 7026800 | 2-27 | 8320270 | 2-34, 9-1 |
| 7021639 | 1-19 | 7024396 | 2-19 | 7026801 | 2-27 | 8405009 | 2-23 |
| 7022302 | 1-15 | 7024397 | 5-27 | 7026802 | 2-27 | 8405104 | 2-23 |
| 7022305 | 1-15 | 7024404 | 2-54 | 7026803 | 2-27 | 8406009 | 2-25 |
| 7022310 | 1-15 | 7024439 | 2-48 | 7026804 | 2-27 | 8406105 | 2-25 |
| 7022311 | 1-15 | 7024440 | 2-48 | 7026805 | 2-27 | 8406109 | 2-26 |
| 7022312 | 1-15 | 7024441 | 2-48 | 7026806 | 2-27 | 88521008 | 3-21 |
| 7022313 | 1-15 | 7024442 | 2-48 | 7026807 | 2-27 | 88521205 | 2-23, 2-30, 2-38 |
| 7022314 | 1-15 | 7024443 | 2-48 | 7026808 | 2-27 | 8896941 | 10-5 |
| 7022326 | 1-16 | 7024444 | 2-48, 9-1 | 7026809 | 2-27 | 91401281 | 2-23, 2-30, 2-38 |
| 7022328 | 1-16 | 7024445 | 2-48 | 7026810 | 2-26 | | |
| 7022368 | 1-15 | 7024446 | 2-48 | 7026811 | 2-26, 9-1 | | |
| 7022371 | 1-16 | 7024453 | 2-19 | 7026812 | 2-26 | | |
| 7022372 | 1-16 | 7024454 | 2-19 | 7026813 | 2-26 | | |
| 7022397 | 1-19 | 7024455 | 2-19 | 7026814 | 2-27 | | |
| 7022399 | 1-19 | 7024456 | 2-19 | 7026815 | 2-27 | | |
| 7022721 | 2-27 | 7024457 | 2-19 | 7026816 | 2-27 | | |
| 7022808 | 4-15 | 7024458 | 2-19 | 7026817 | 2-27 | | |
| 7022812 | 4-19, 4-20 | 7024481 | 2-48 | 7026818 | 2-27 | | |
| 7022814 | 4-15 | 7024484 | 2-88, 2-95 | 7026819 | 2-27 | | |
| 7022815 | 4-15, 4-16 | 7024485 | 2-89, 2-95 | 7026820 | 2-26 | | |
| 7022816 | 4-15 | 7024486 | 2-89 | 7026821 | 2-26 | | |
| 7022817 | 4-15 | 7024488 | 2-88, 2-95 | 7026822 | 2-26 | | |
| 7022818 | 4-15 | 7024489 | 2-88, 2-95 | 7026826 | 2-26 | | |
| 7022819 | 4-15, 4-16, 7-16 | 7024508 | 5-25 | 7026827 | 2-27 | | |
| 7022822 | 4-19 | 7024560 | 2-33 | 7026828 | 2-27 | | |
| 7022823 | 4-19 | 7024561 | 2-88, 2-95 | 7026829 | 2-27 | | |
| 7022824 | 4-19 | 7024565 | 2-34 | 7026830 | 2-26, 9-1 | | |
| 7022825 | 4-19, 4-20, 7-16 | 7024579 | 2-34 | 7026831 | 2-26 | | |
| 7023023 | 5-21 | 7024598 | 2-73 | 7026832 | 2-27 | | |
| 7023318 | 2-19 | 7024704 | 2-18 | 7026833 | 2-26 | | |
| 7023907 | 1-15 | 7024717 | 1-12 | 7026839 | 2-26 | | |
| 7023908 | 1-15 | 7024718 | 1-12 | 7027004 | 2-30, 7-23 | | |
| 7023910 | 1-15 | 7024762 | 2-18 | 7027015 | 2-39, 7-23 | | |
| 7023917 | 1-19 | 7024763 | 1-12, 2-18 | 7027017 | 2-39, 7-24 | | |
| 7023933 | 1-19 | 7024781 | 1-11 | 7027018 | 2-39, 7-23 | | |
| 7023956 | 2-25, 2-31, 2-40 | 7024782 | 1-11 | 7027028 | 2-25, 7-23 | | |
| 7023967 | 2-24, 2-31, 2-40 | 7024783 | 1-11 | 7027029 | 2-25, 7-23 | | |



3121271



An Oshkosh Corporation Company

Corporate Office
JLG Industries, Inc.
1 JLG Drive
McConnellsburg PA. 17233-9533
USA

☎ (717) 485-5161

📠 (717) 485-6417

JLG Worldwide Locations

JLG Industries (Australia)
P.O. Box 5119
11 Bolwarra Road
Port Macquarie
N.S.W. 2444
Australia

☎ +61 2 65 811111

📠 +61 2 65 810122

JLG Latino Americana Ltda.
Rua Eng. Carlos Stevenson,
80-Suite 71
13092-310 Campinas-SP
Brazil

☎ +55 19 3295 0407

📠 +55 19 3295 1025

JLG Industries (UK) Ltd
Bentley House
Bentley Avenue
Middleton
Greater Manchester
M24 2GP - England

☎ +44 (0)161 654 1000

📠 +44 (0)161 654 1001

JLG France SAS
Z.I. de Baulieu
47400 Fauillet
France

☎ +33 (0)5 53 88 31 70

📠 +33 (0)5 53 88 31 79

JLG Deutschland GmbH
Max-Planck-Str. 21
D - 27721 Ritterhude - Ihlpohl
Germany

☎ +49 (0)421 69 350 20

📠 +49 (0)421 69 350 45

JLG Equipment Services Ltd.
Rm 1107 Landmark North
39 Lung Sum Avenue
Sheung Shui N. T.
Hong Kong

☎ (852) 2639 5783

📠 (852) 2639 5797

JLG Industries (Italia) s.r.l.
Via Po. 22
20010 Pregnana Milanese - MI
Italy

☎ +39 029 359 5210

📠 +39 029 359 5845

Oshkosh-JLG Singapore
Technology Equipment Pte
Ltd
29 Tuas Ave 4,
Jurong Industrial Estate
Singapore, 639379

☎ +65-6591 9030

📠 +65-6591 9031

Plataformas Elevadoras
JLG Iberica, S.L.
Trapadella, 2
P.I. Castellbisbal Sur
08755 Castellbisbal, Barcelona
Spain

☎ +34 93 772 4700

📠 +34 93 771 1762

JLG Sverige AB
Enkopingsvagen 150
Box 704
SE - 176 27 Jarfalla
Sweden

☎ +46 (0)850 659 500

📠 +46 (0)850 659 534