



**Discount
Equipment**

www.discount-equipment.com

Filter	2950865002,APP 866058 - 870025
Identity	2950865002
Specifications	Product number: 8162061086, Division: Portable Air, Product group: Diesel Driven Compressors, Product type: Small Air, Product: CPS110, Product Company: Antwerp

PARTS FINDER

**Search Website
by Part Number**



**Search Manual
Library For Parts
Manual & Lookup Part
Numbers – Purchase
or Request Quote**

Search Manuals

Enter your information to search for a manual or to purchase a manual or parts.

* Brand:

* Model:

* Serial:

* Part Number:

SEARCH

**Can't Find Part or
Manual? Request Help
by Manufacturer,
Model & Description**

Parts Order Form

Please fill in the following information to request help finding a part or manual.

Manufacturer:

Model:

Description:

Quantity:

Part Number:

Part Name:

Part Description:

Part Category:

Part Location:

Part Status:

Part Condition:

Part Material:

Part Color:

Part Weight:

Part Dimensions:

Part Price:

Part Notes:

Submit

Discount-Equipment.com is your online resource for quality parts & equipment.

Florida: **561-964-4949** Outside Florida TOLL FREE: **877-690-3101**

Need parts?

Click on this link: <http://www.discount-equipment.com/category/5443-parts/> and choose one of the options to help get the right parts and equipment you are looking for. Please have the machine model and serial number available in order to help us get you the correct parts. If you don't find the part on the website or on one of the online manuals, please fill out the request form and one of our experienced staff members will get back to you with a quote for the right part that your machine needs.

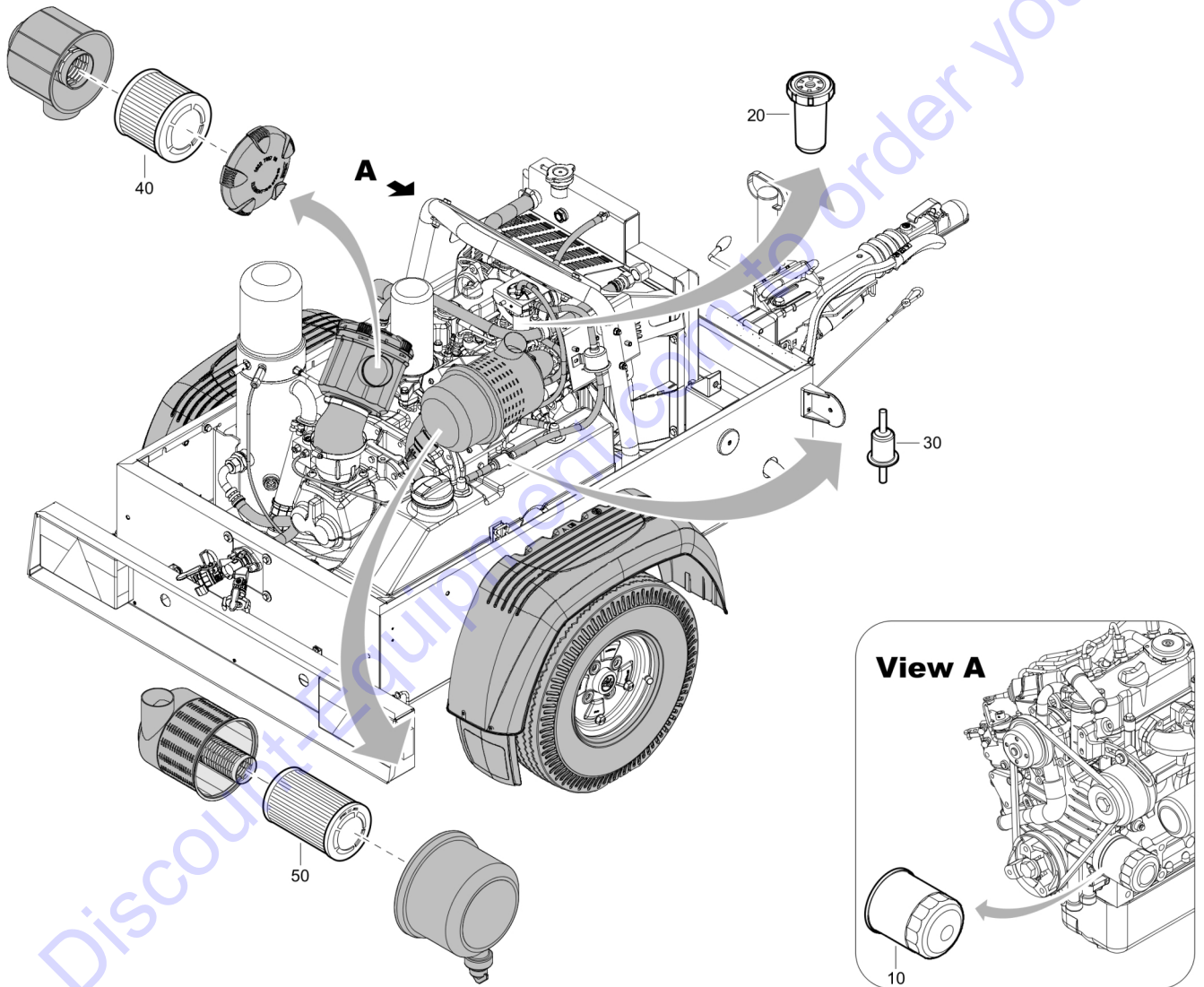
We sell worldwide for the brands: Genie, Terex, JLG, MultiQuip, Mikasa, Essick, Whiteman, Mayco, Toro Stone, Diamond Products, Generac Magnum, Airman, Haulotte, Barreto, Power Blanket, Nifty Lift, Atlas Copco, Chicago Pneumatic, Allmand, Miller Curber, Skyjack, Lull, Skytrak, Tsurumi, Husquvarna Target, Stow, Wacker, Sakai, Mi-T-M, Sullair, Basic, Dynapac, MBW, Weber, Bartell, Bennar Newman, Haulotte, Ditch Runner, Menegotti, Morrison, Contec, Buddy, Crown, Edco, Wyco, Bomag, Laymor, EZ Trench, Bil-Jax, F.S. Curtis, Gehl Pavers, Heli, Honda, ICS/PowerGrit, IHI, Partner, Imer, Clipper, MMD, Koshin, Rice, CH&E, General Equipment, Amida, Coleman, NAC, Gradall, Square Shooter, Kent, Stanley, Tamco, Toku, Hatz, Kohler, Robin, Wisconsin, Northrock, Oztec, Toker TK, Rol-Air, APT, Wylie, Ingersoll Rand / Doosan, Innovatech, Con X, Ammann, Mecalac, Makinex, Smith Surface Prep, Small Line, Wanco, Yanmar

Kits and consumables	!950775000_Kitsandconsumables
SERVICE PACK 250HR BOX 2.1 CP	2912500202
SERVICE KIT (500H)	2912500203
COMPRESSOR OIL	Compressor_oil_Genoil
Engine Oil	Engine_oil_Genoil_2950865000af
COOLANT	Coolant_Gencool
SERVICE KIT - UNLOADER VALVE	2911000050
Frame and mounts	1611716831
Frame	1638158587
Compressor drive	1611715931
Gearset	1638168281
Gearset	1611717331
Air inlet	1611717031
Air outlet	1611717631
Air outlet	1611732331
Oil system_W	1611716931_06W
Vessel air	1638213380
VESSEL AIR	1638213380
Vessel air_W	1611720131
Restrictor box	1611733031
Regulating system_W	1611716031_03W
Housing valve	1638123181
Cold start_W	1611737931_03W
Cold start_W	1611717731_03W
MANIFOLD	1638167880
Bodywork	1611717131
Markings	1611505231
Markings	1611745731
Marking	1611505031
Conformaty label	1611741631
No lubricator	1611729331
Roads dot	1611745631
No fleetlink option	1611701984
No fleetlink option	1611700431
Cover plate	1638197101
Engine service parts	1638807900
Engine and accessories	1611701616
Engine and accessories	1611716631
ENGINE D902	1638128600
Fuel system	1611715731
Cooler and fan_W	1611716731_05W
Electrical system	1611711131
Control panel	1638881680
CONTROL PANEL	1638163184

Kits and consumables	Item Number	Description	Change Interval / Quantity		
			250 hours	500 hours	When Needed
Maintenance Kit	1	Service pak 250 hours	1		No
	2	Service pak 500 hours		1	
Compressor Oil	3	Can Genoil M 5 Liter/1.32 Gallon	7.5 Liter 1.9 Gallon	7.5 Liter 1.9 Gallon	No
Use Genoil M	4	Can Genoil M 20 Liter/5.3 Gallon			
Use Genoil S	5	Can Genoil S 20 Liter/5.3 Gallon			
Use Genoil S Ultra	6	Can Genoil S Ultra 20 Liter/5.3 Gallon			
Engine Oil	7	Can Genoil Engine Green 5 Liter/1.32 Gallon	3.8 Liter 1.0 Gallon	3.8 Liter 1.0 Gallon	No
Genoil Engine Green	8	Can Genoil Engine Green 20 Liter/5.3 Gallon			
Coolant	9	Can Gencool EG concentrate 5 Liter/1.32 Gallon	-	-	Yes
Use Gencool EG	10	Can Gencool EG 5 Liter/1.32 Gallon			
	11	Can Gencool EG 20 Liter/5.3 Gallon			
Service and Repair Kit	12	Service kit - Unloading valve			1

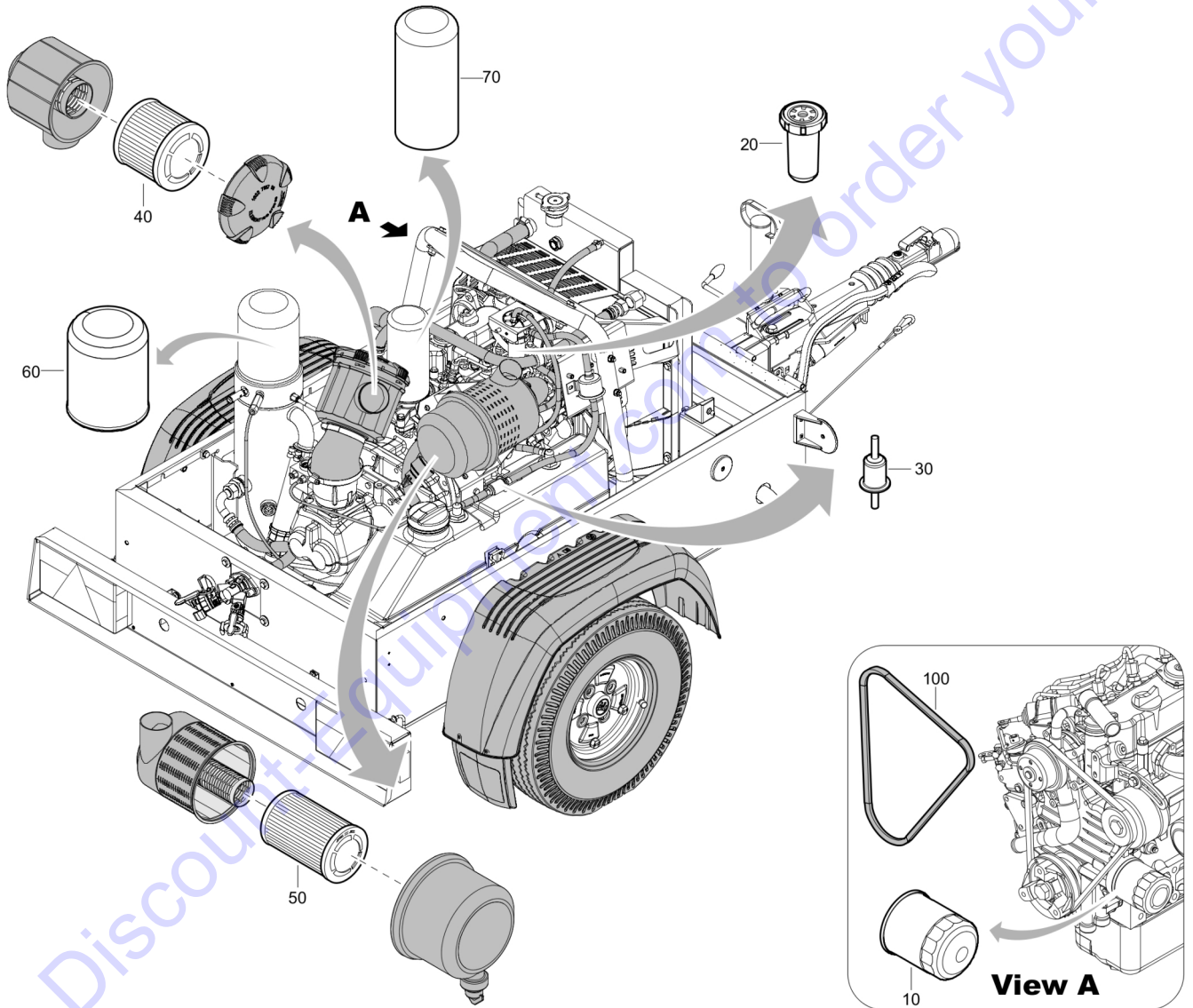
Id	Qty	Number	Name	Specifications
1	1	2912500202	SERVICE PACK 250HR BOX 2.1 CP	Version: 00
2	1	2912500203	SERVICE KIT (500H)	Version: 00
3	2	1626226000	CAN GENOIL M 5 LITER/1.32 GALLON	
4	1	1626226100	CAN GENOIL M 20 LITER/5.3 GALLON	
5	1	1630017500	GENOIL S CAN 20L	
6	1	1630024900	CAN GENOIL S ULTRA 20 LITER/5.3 GALLON	
7	1	1638074000	CAN GENOIL ENGINE GREEN 5 LITER/1.32 GALLON	
8	1	1638075000	CAN GENOIL ENGINE GREEN 20 LITER/5.3 GALLON	
9	1	1626225701	CAN GENCOOL EG CONCENTRATE 5 LITER/1.32 GALLON	
10	1	1626225501	CAN GENCOOL EG 5 LITER/1.32 GALLON	
11	1	1626225601	CAN GENCOOL EG 20 LITER/5.3 GALLON	
12	1	2911005100		Version: 3

Go to Discount-Equipment.com to order your parts



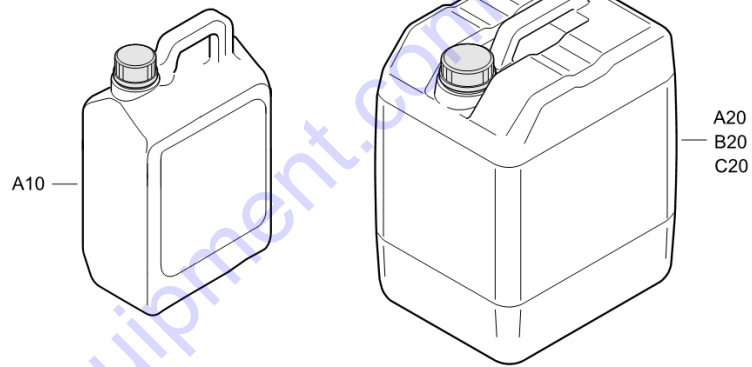
Id	Qty	Number	Name	Specifications
20	1		FILTER FUEL	
30	1		PREFILTER	
10	1		FILTER OIL ENGINE	
50	1		AIR FILTER ELEM.	
40	1		ELEMENT FILTER	

Go to Discount-Equipment.com to order your parts



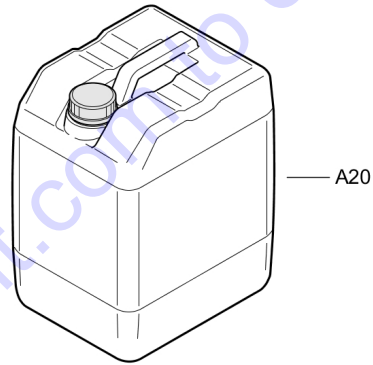
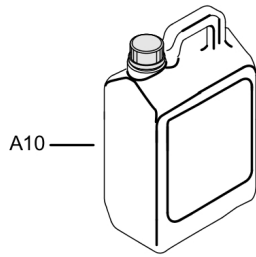
Id	Qty	Number	Name	Specifications
70	1		FILTER FUEL	
30	1		PREFILTER	
100	1		V-BELT	
10	1		FILTER OIL ENGINE	
20	1		OIL FILTER	
50	1		AIR FILTER ELEM.	
40	1		ELEMENT FILTER	
60	1		SEPARATOR ELEMENT	

Go to Discount-Equipment.com to order your parts



Id	Qty	Number	Name	Specifications
-			GENOIL M	
A10	1	1626226000	CAN GENOIL M 5 LITER/1.32 GALLON	
A20	1	1626226100	CAN GENOIL M 20 LITER/5.3 GALLON	
-			GENOIL S	
B20	1	1630017500	GENOIL S CAN 20L	
-			GENOIL S ULTRA	
C20	1	1630024900	CAN GENOIL S ULTRA 20 LITER/5.3 GALLON	

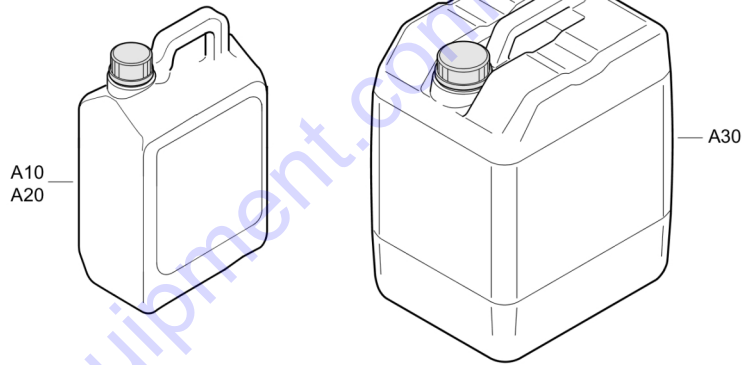
Go to Discount-Equipment.com to order your parts



Go to Discount-Equipment.com to order your parts

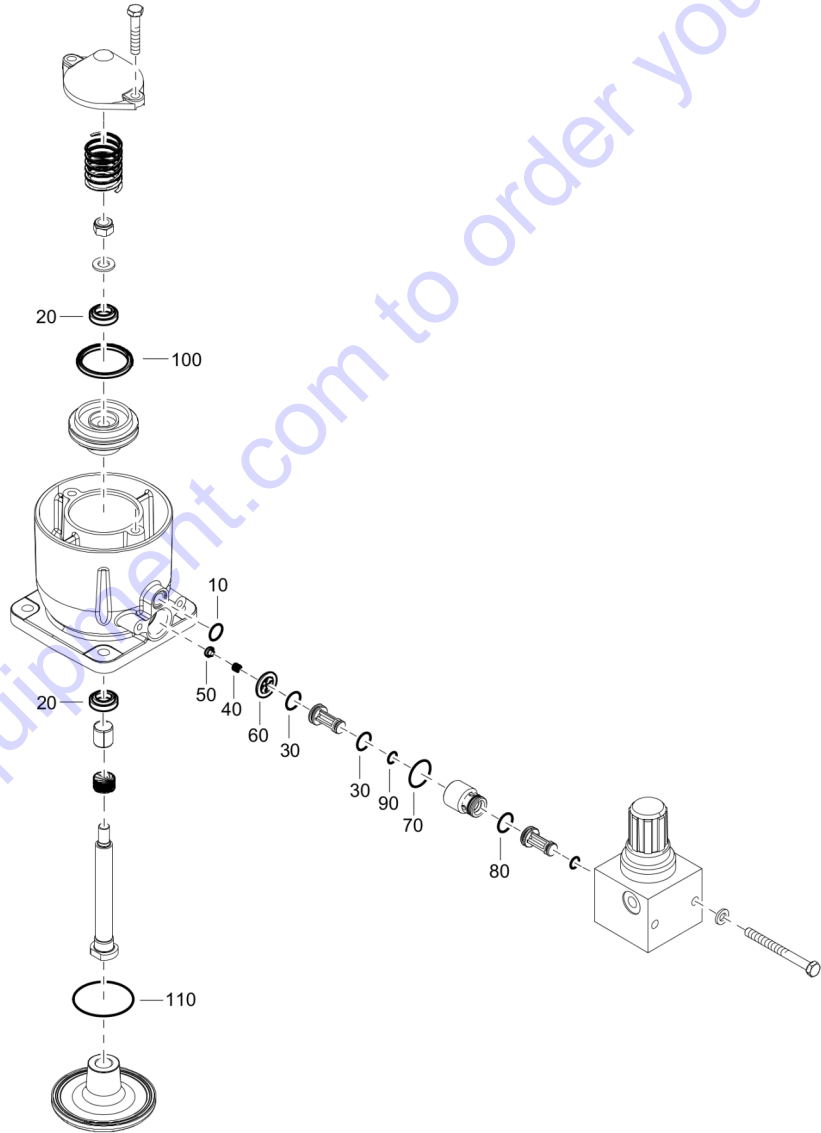
Id	Qty	Number	Name	Specifications
-			Genoil Engine Green	
A10	1	1638074000	CAN GENOIL ENGINE GREEN 5 LITER/1.32 GALLON	
A20	1	1638075000	CAN GENOIL ENGINE GREEN 20 LITER/5.3 GALLON	

Go to Discount-Equipment.com to order your parts



Id	Qty	Number	Name	Specifications
A10	1	1626225701	CAN GENCOOL EG CONCENTRATE 5 LITER/1.32 GALLON	
A20	1	1626225501	CAN GENCOOL EG 5 LITER/1.32 GALLON	
A30	1	1626225601	CAN GENCOOL EG 20 LITER/5.3 GALLON	

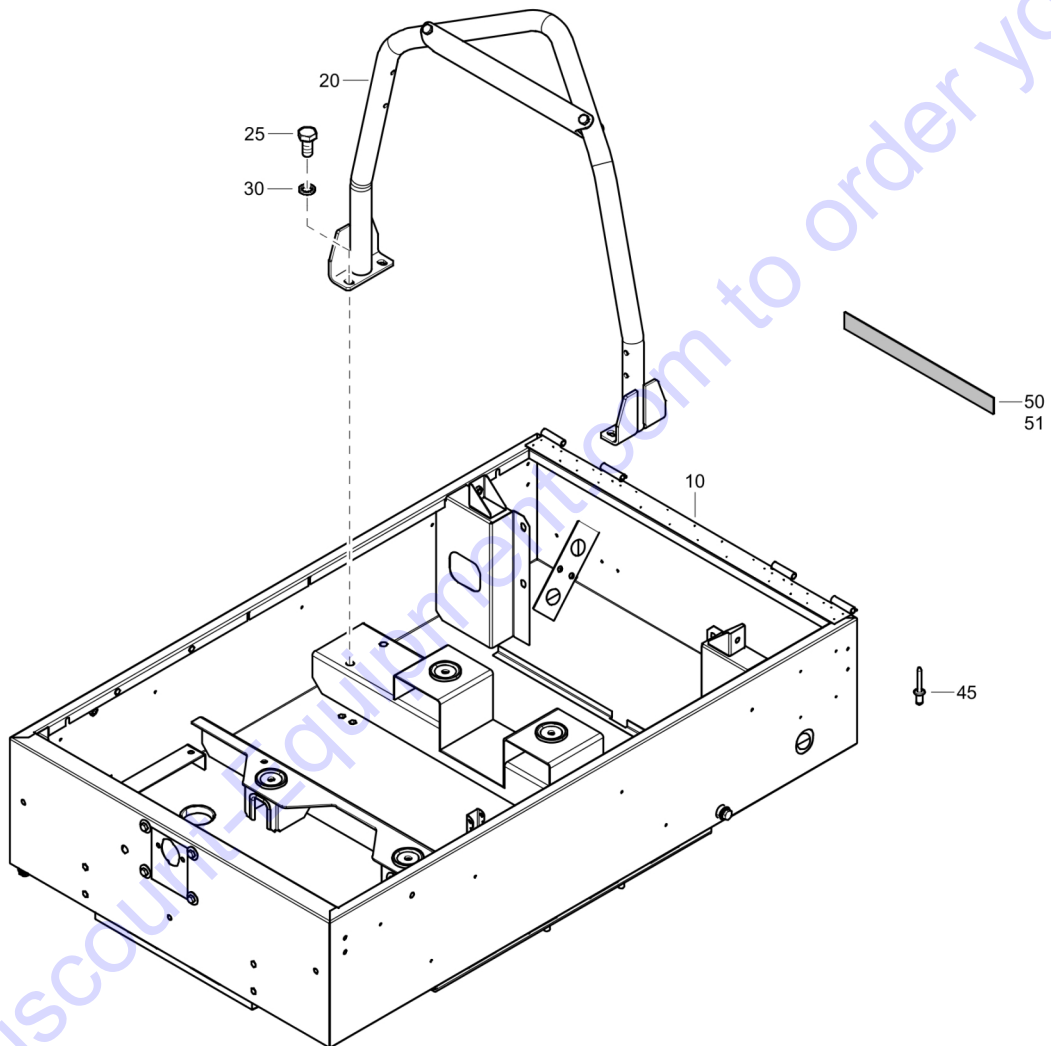
Go to Discount-Equipment.com to order your parts



Go to Discount-Equipment.com to order your parts

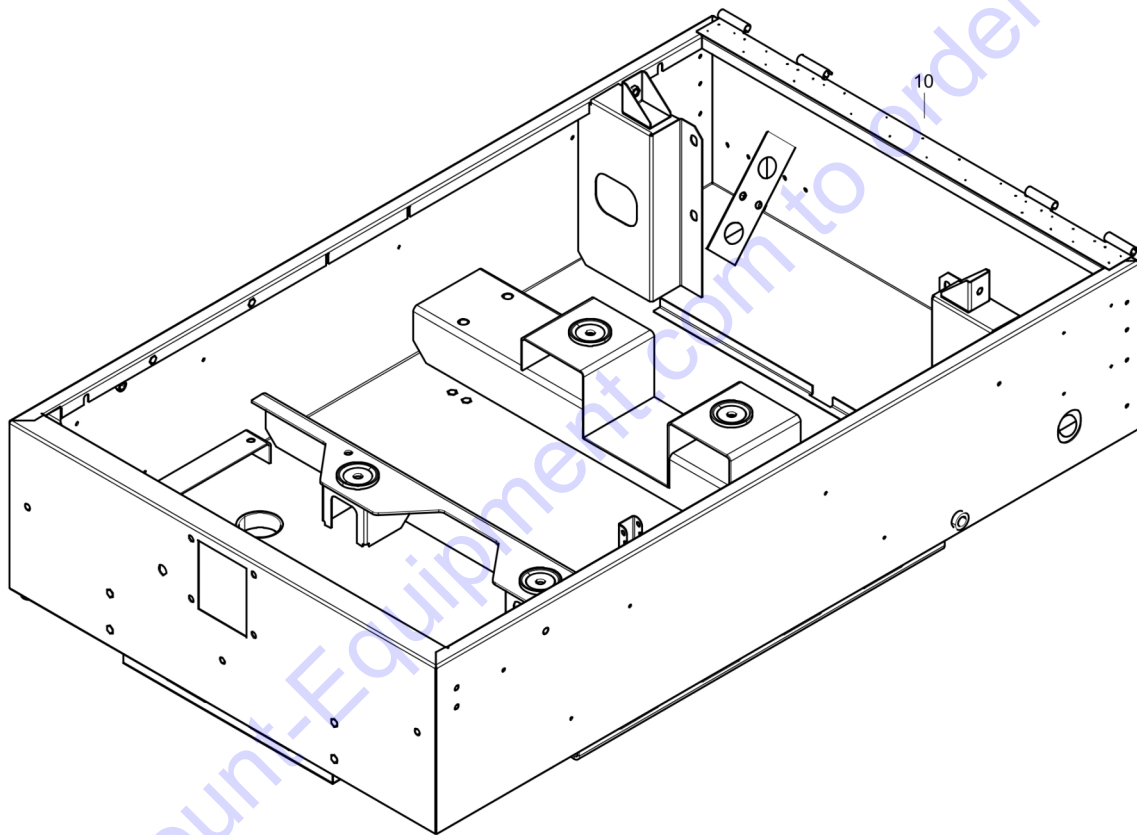
Id	Qty	Number	Name	Specifications
-	1	2911000050	SERVICE KIT - UNLOADING VALVE	
10	1		O-RING	
20	2		WIPER	
30	2		O-RING	
40	1		SPRING	
50	1		SEAT	
60	1		RETAINER	
70	1		O-RING	
80	1		O-RING	
90	1		O-RING	
100	1		PISTON SEAL	
110	1		O-RING	

Go to Discount-Equipment.com to order your parts



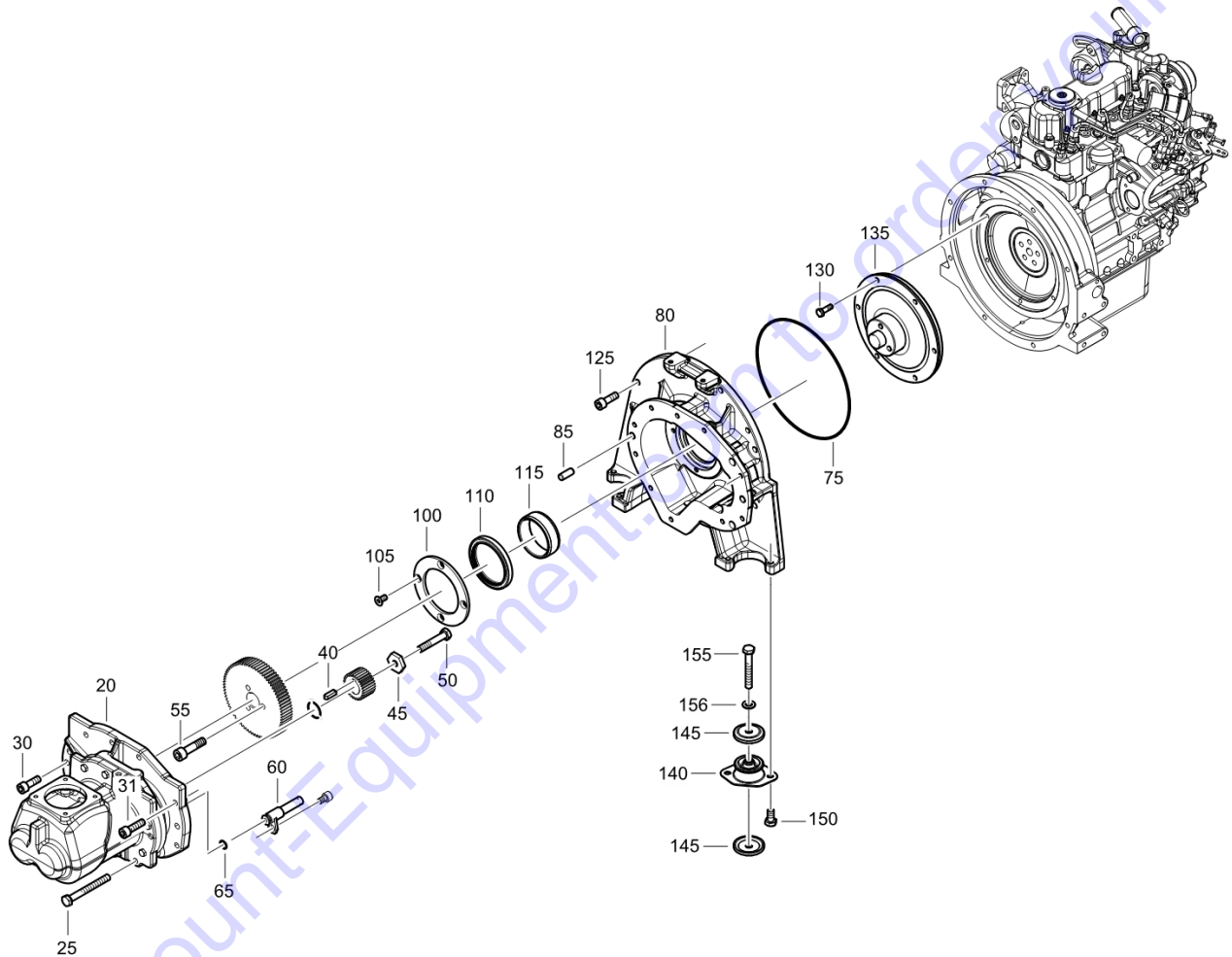
Id	Qty	Number	Name	Specifications
10	1	1638158586	FRAME	
20	1	1638131482	Beam	
25	4	0147140015	HEX. HEAD SCREW	
30	4	3315019508	LOCK WASHER	
45	4	0129327034	RIVET	
50		1604127500	SEAL	
51		1604127500	SEAL	

Go to Discount-Equipment.com to order your parts

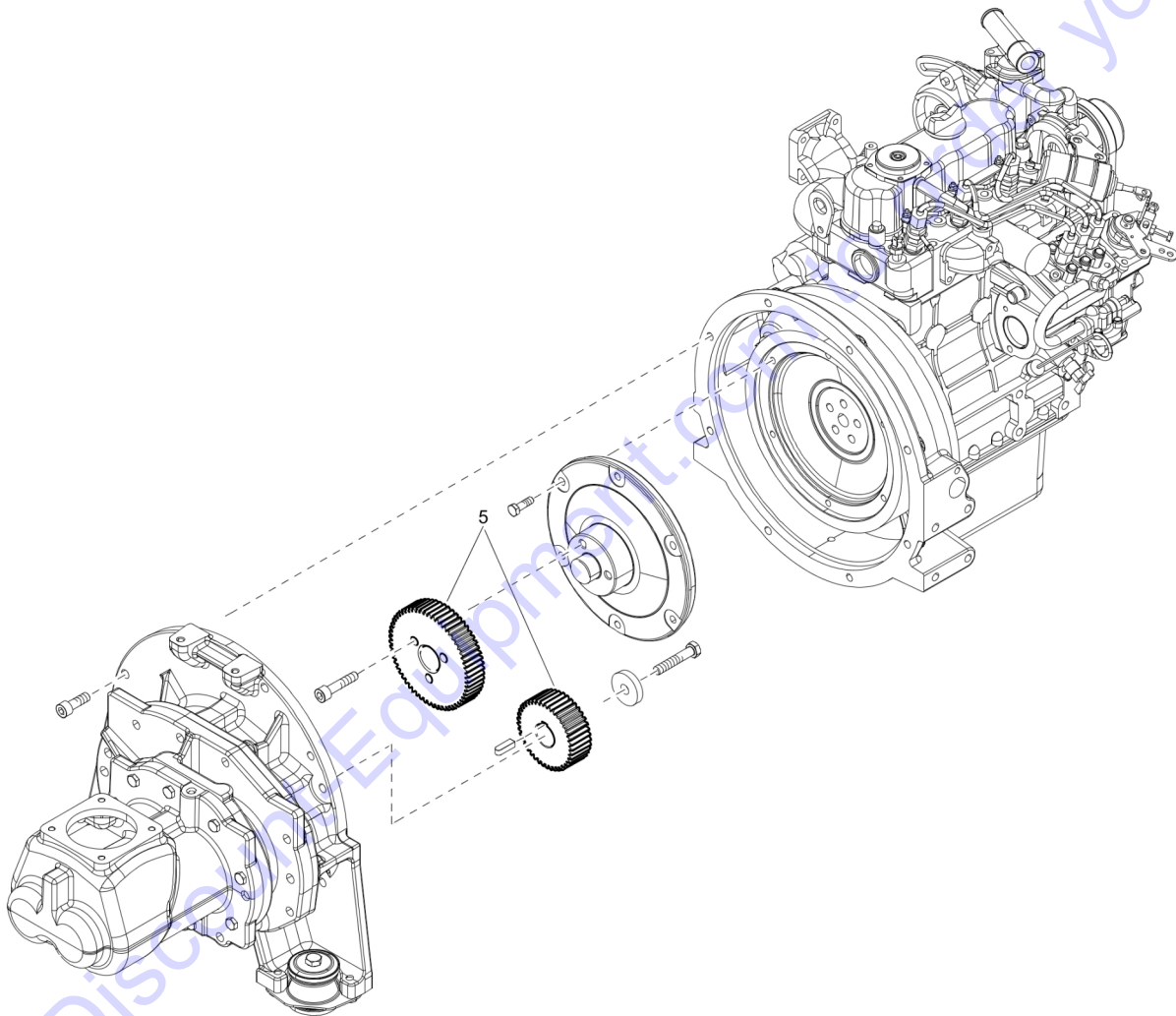


Id	Qty	Number	Name	Specifications
10	1	1638158507	Frame	

Go to Discount-Equipment.com to order your parts

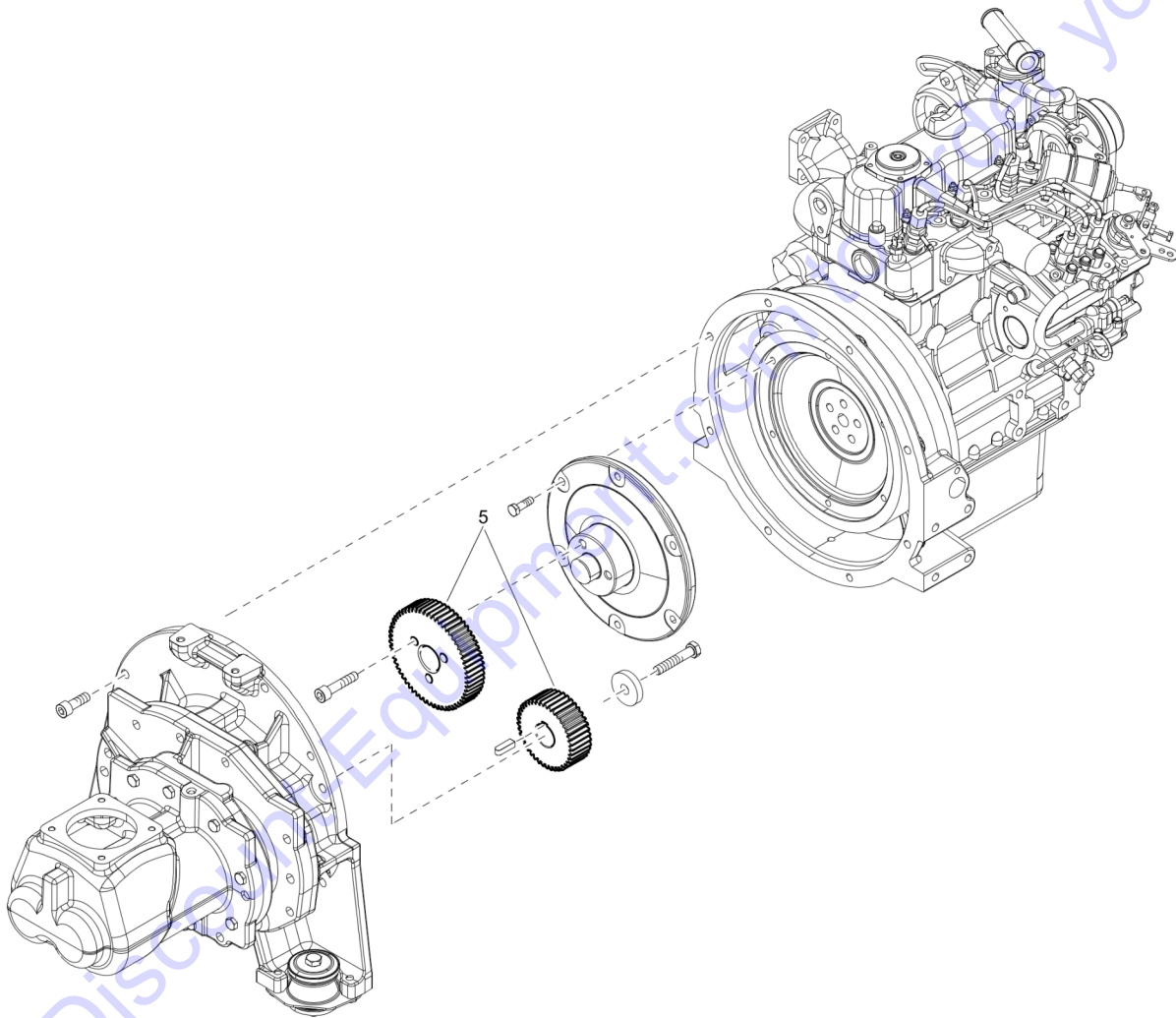


Id	Qty	Number	Name	Specifications
20	1	1616774590	SERVICE ELEMENT OIS H-10 (C67)	
25	1	0211137503	HEX SOCK. SCREW	
30	2	0211136303	HEX. SOCK. SCREW	
31	7	0211136403	HEX SOCK. SCREW	
40	1	1638122900	KEY PARALLEL	
45	1	1638122401	WASHER PLAIN	
50	1	0147111126	HEX. SOCK. SCREW	
55	3	0211110576	HEX. CSUNK SCREW	
60	1	1638122801	NOZZLE	
65	1	0663210784	O-RING	
75	1	0663211596	O-RING	
80	1	1638138602	GEARBOX	
85	2	0101231135	PIN PARALLEL	
100	1	1638122600	RING CLAMPING	
105	4	0216195738	HEX SOCK. SCREW	
110	1	1638122700	SEAL LIP	
115	1	1638122201	BUSHING	
125	8	0211220570	SCREW HEXAGON	
130	6	0144324320	HEX. SOCK. SCREW	
135	1	1638137401	SHAFT DRIVE	
140	2	1202900601	PAD ANTI VIBR.	
145	2	1202871900	WASHER PLAIN	
150	4	0147195874	SCREW:M10 X 20 HEX HD ZP	
155	2	0147137103	SCREW:M10 X 70;HEX HD	
156	2	0301234400	PLAIN WASHER	



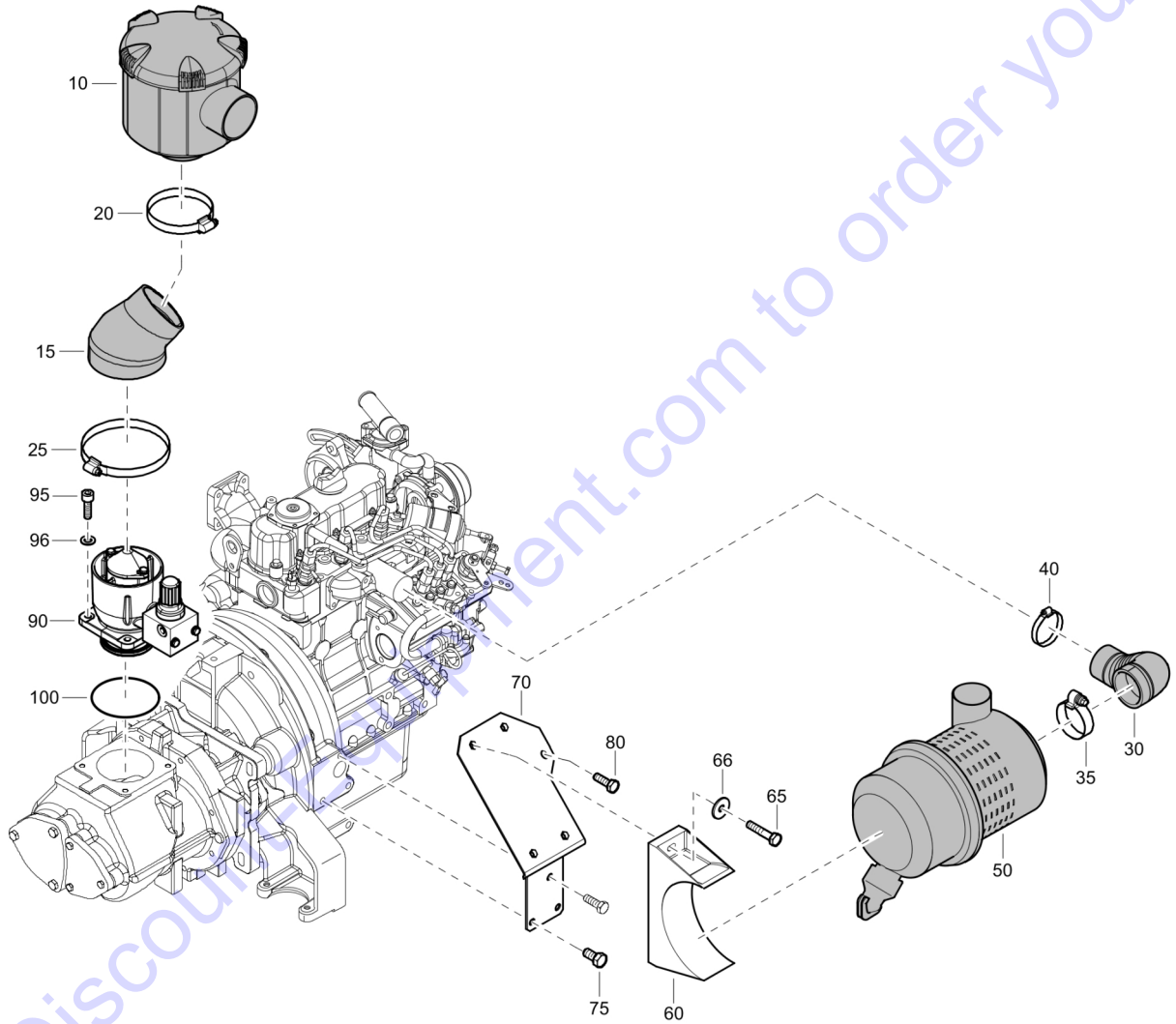
Id	Qty	Number	Name	Specifications

Go to Discount-Equipment.com to order your parts



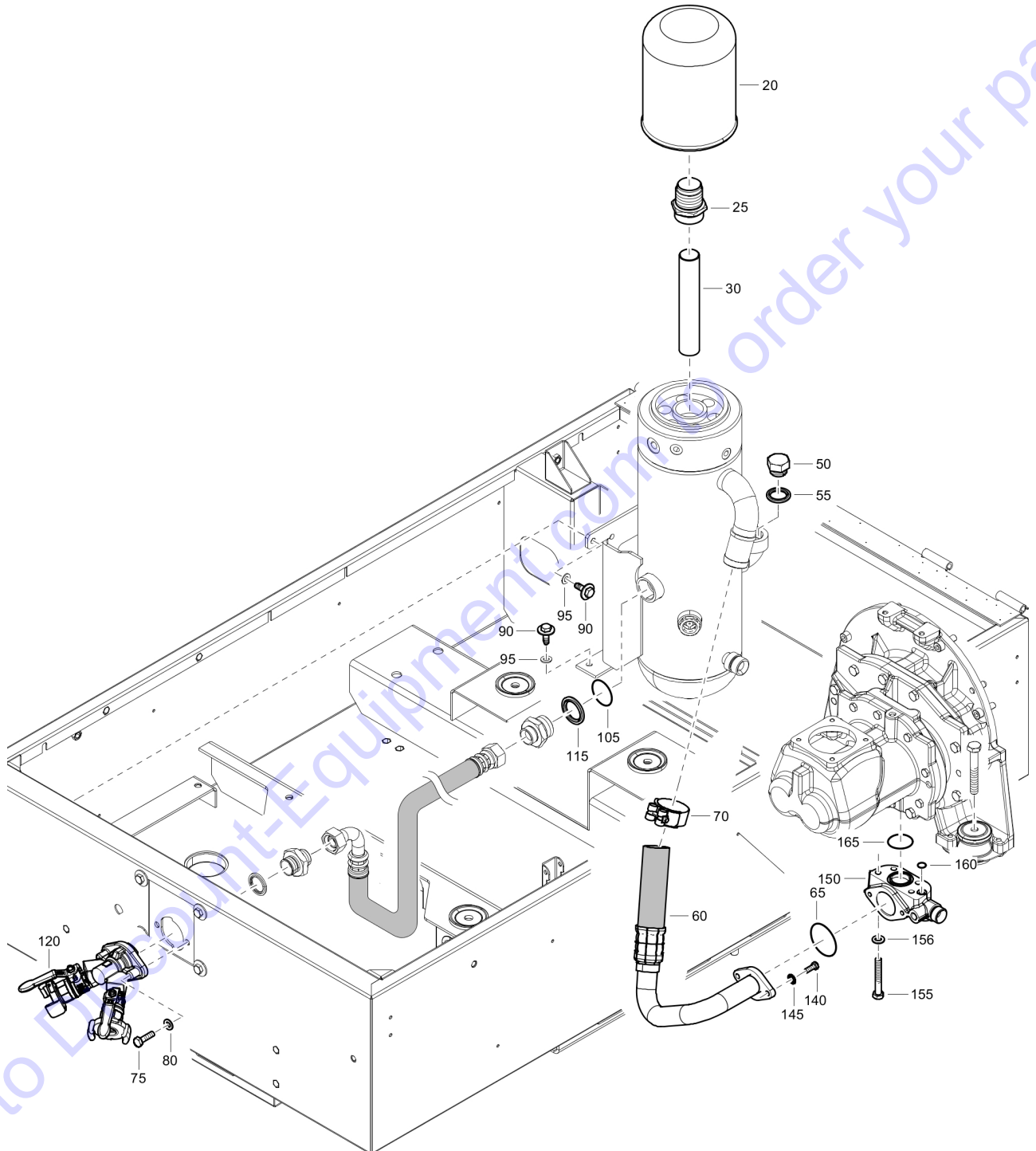
Id	Qty	Number	Name	Specifications
5	1	1638168281		Version: 1

Go to Discount-Equipment.com to order your parts



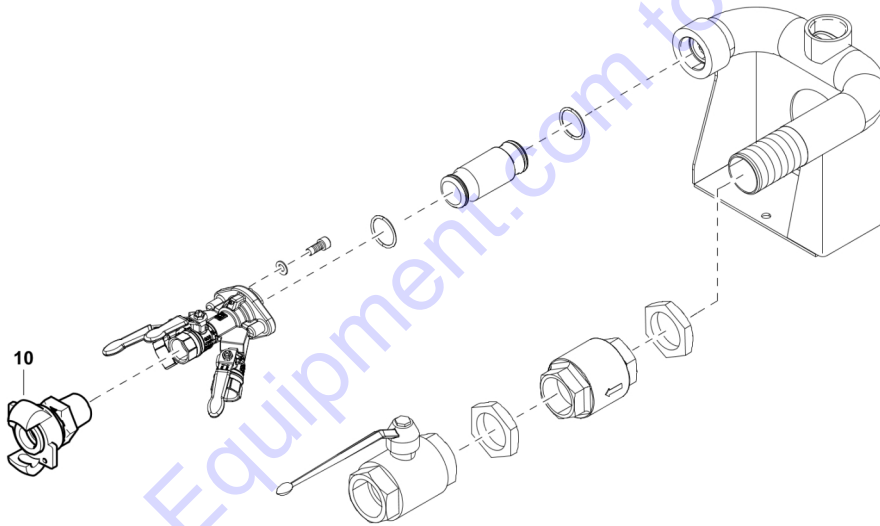
Id	Qty	Number	Name	Specifications
10	1	1625178636	FILTER AIR	
15	1	1626491702	Hose	
20	1	0347610004	HOSE CLAMP	
25	1	0347611500	HOSE CLAMP	
30	1	1638159900	Hump hose	
35	1	0347611200	HOSE CLAMP-WORM GEAR:M40/50D	
40	1	0347611300	CLAMP HOSE DIA	
50	1	1626977700	FILTER AIR	
60	1	1615712500	SUPPORT	
65	2	0147132703	SCREW:M 8X 35;HEX HD,ZN PLT,\$S	
66	2	0300801900	PLAIN WASHER	
70	1	1638144403	SUPPORT	
75	2	0144328403	SCREW	
80	1	0147132303	HEX. HEAD SCREW M8 X 20	
90	1	1638123181	HOUSING VALVE	
95	4	0147132503	HEX. HEAD SCREW	
96	4	0301233500	PLAIN WASHER(A) 8.4 X 16 X 1.6	
100	1	0663210615	GA18 O-RING	

Go to Discount-Equipment.com to order your parts



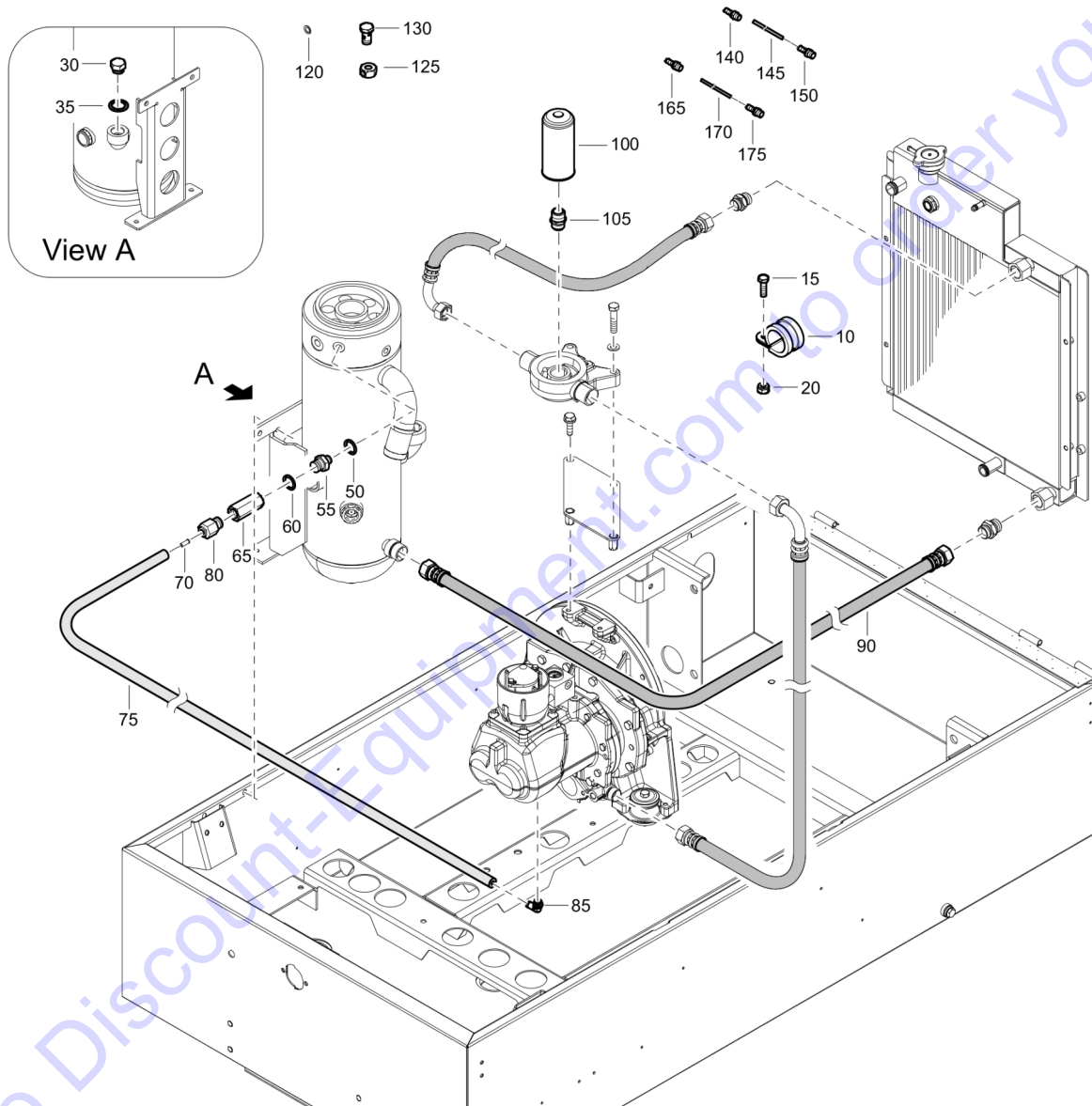
Id	Qty	Number	Name	Specifications
20	1	1626977800	SEPARATOR OIL MB	
25	1	1626823800	NIPPLE	
30	1	1626823701	PIPE	
50	1	1615508000	PLUG:VESSEL, G3/4, RELIEF CUT	
55	1	0661100029	WASHER-SEAL:M 27.1IDX34.9OD	
60	1	1638167904	HOSE ASSEMBLY	
65	1	0663713400	O-RING ID 49.5MM	
70	1	0347610055	HOSE CLIP	
75	2	0211132503	HEX. SOCK. SCREW	
80	2	0301233500	PLAIN WASHER(A) 8.4 X 16 X 1.6	
90	4	1615566400	HEX. HEAD SCREW	
95	4	0301233500	PLAIN WASHER(A) 8.4 X 16 X 1.6	
105	1	0663313100	O-RING	
115	1	0661104900	SEAL WASHER	
120	1	1638167880	MANIFOLD	
140	2	0147132303	HEX. HEAD SCREW M8 X 20	
145	2	0333322700	LOCKWASHER:M 8.40/15.0 SERRA	
150	1	1638113702	MANIFOLD	
155	4	0147133103	HEX. HEAD SCREW	
156	4	9106181545	PLAIN WASHER	
160	1	0663211135	O-RING	
165	1	0663313200	O-RING 36.2 X 3	

Go to Discount-Equipment.com to order your parts



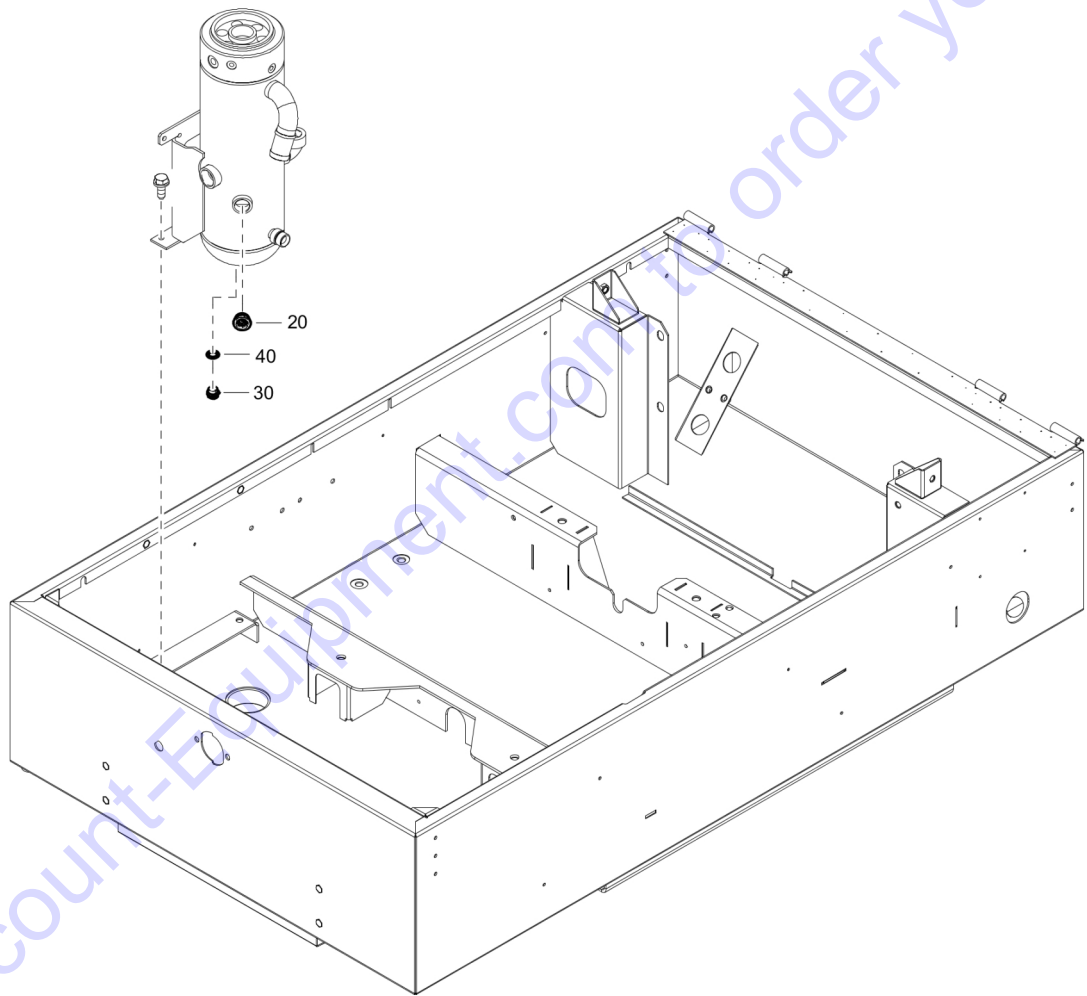
Id	Qty	Number	Name	Specifications
10	2	1638184300	COUPLING	

Go to Discount-Equipment.com to order your parts



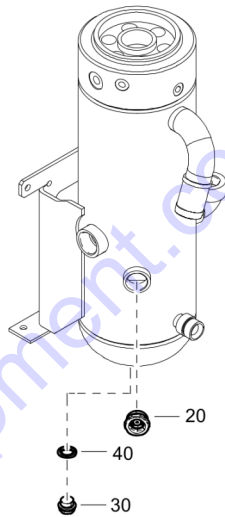
Id	Qty	Number	Name	Specifications
10	1	0346100210	CLAMP	
15	1	0147132503	HEX. HEAD SCREW	
20	1	0291112818	LOCK NUT M8 DIN985 CL8 FZB	
30	1	0686371630	PLUG:G3/8,HEXHD	
35	1	0653110000	GASKET-FLAT:M 17.0/ 21.0X1.5	
50	1	0653106200	GASKET	
55	1	0603420026	FITTING	
60	1	0653106200	GASKET	
65	1	0823005009	VALVE NON-RETURN	
70	1	1626974001	NOZZLE	
75		0070600248	TUBE	
80	1	0583810152	FITTING PIPE	
85	1	0583812100	FITTING PIPE THREADED ELBOW 90	
90	1	1638147102	HOSE ASSEMBLY	
100	1	6211472200	OIL FILTER, EKOMAK BRANDED	
105	1	1619377001	NIPPLE	
120	2	0653112800	GASKET	
125	1	1638255100	NIPPLE	
130	1	0627420012	PRESSURE SCREW	
140	1	0571002034	HOSE NIPPLE	
145		0075402569	TUBE	
150	1	0571002034	HOSE NIPPLE	
165	1	0571002034	HOSE NIPPLE	
170		0075402569	TUBE	
175	1	0571002034	HOSE NIPPLE	

Go to Discount-Equipment.com to order your parts



Id	Qty	Number	Name	Specifications
20	1	1638159400	SIGHT GLASS	
30	1	0686371638	PLUG	
40	1	0661100040	SEALING WASHER 17.28X23.8	

Go to Discount-Equipment.com to order your parts



Id	Qty	Number	Name	Specifications
20	1	1638159400	SIGHT GLASS	
30	1	0686371638	PLUG	
40	1	0661100040	SEALING WASHER 17.28X23.8	
50	1	0686371635	PLUG G 3/4"	
60	1	0653116200	GASKET 27 X 32 X 2	

Go to Discount-Equipment.com to order your parts

Tampering with noise control system prohibited.
 Federal law prohibits the following acts or the causing thereof :

(1) The removal or rendering inoperative by any persons, other than for purposes of maintenance repair or replacement of any device or element of design incorporated into any new compressor for the purpose of noise control prior to its sale or delivery to the ultimate purchaser or while it is in use; or
 (2) the use of the compressor after such device or element of design has been removed or rendered inoperative by any person.

Among those acts included in the prohibition against tampering are the acts listed below.

1. Removal or rendering inoperative any of the following:	2. Removal of any of the following:
a. engine exhaust muffler	a. sound absorptive material, including sealing strips on doors, panels and other canopy parts
b. cooling air exhaust and intake silencers	b. fan shroud
c. acoustic baffles	3. Operation of the compressor with any of the enclosure doors open
d. housing components, canopy, or bottom panel.	
e. engine or compressor mounts	
f. inlet air throttling system	

1379 9031 01

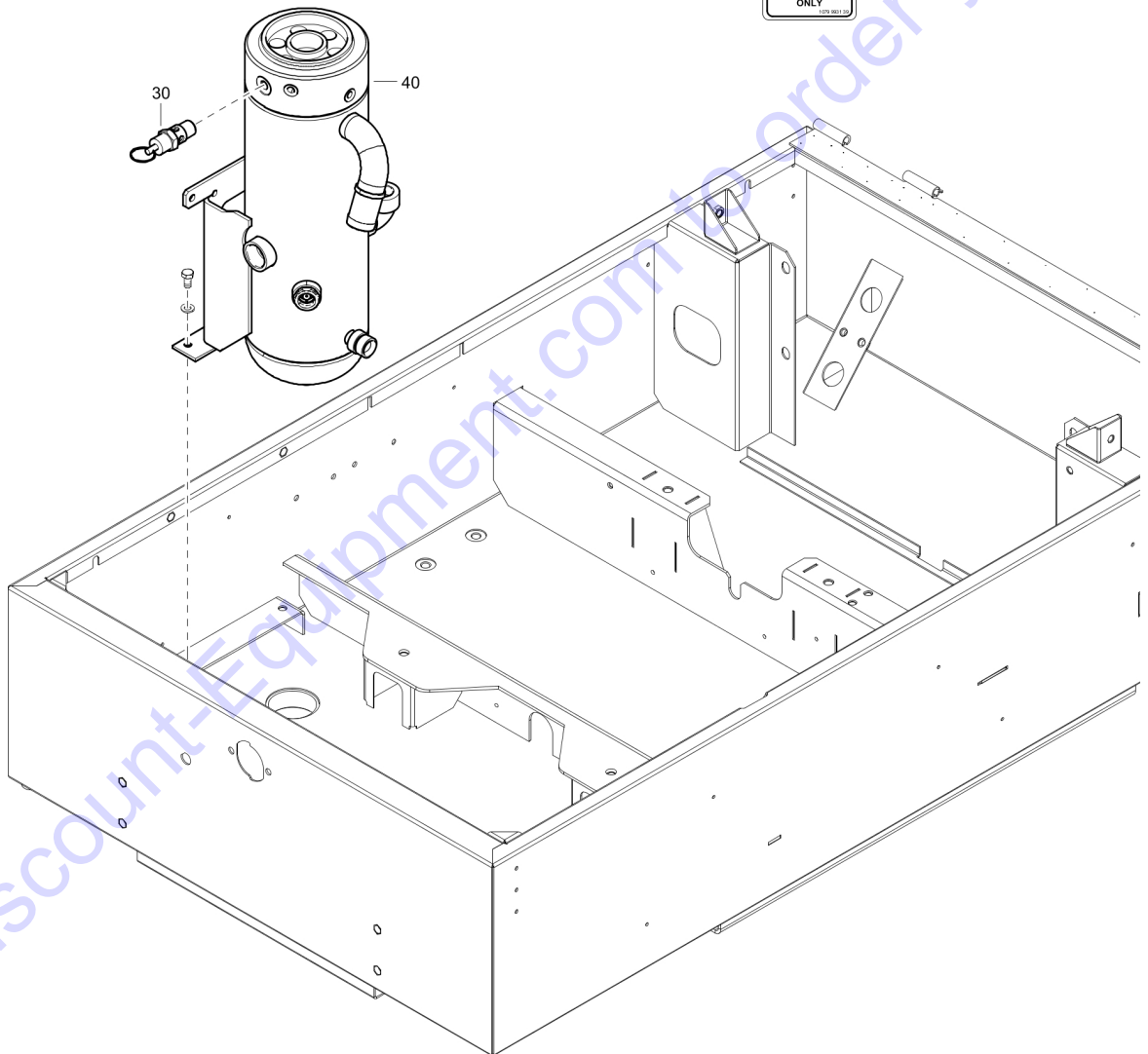
CALIFORNIA Proposition 65 Warning
 Diesel engine exhaust and some of its constituents are known to the State of California to cause cancer, birth defects, and other reproductive harm.
 1379 9031 01

100

110

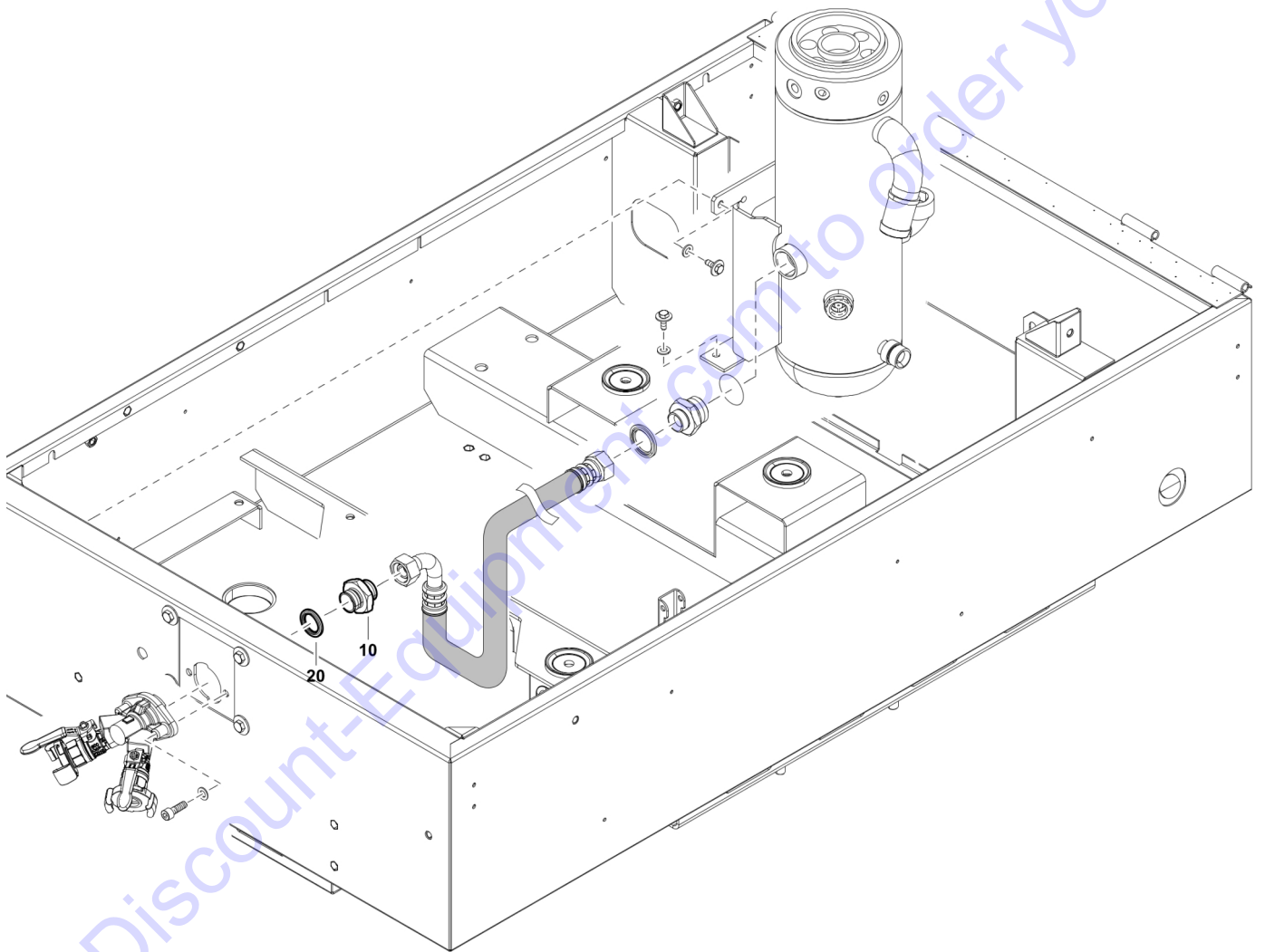
ULTRA LOW SULFUR FUEL ONLY
 1379 9031 01

101



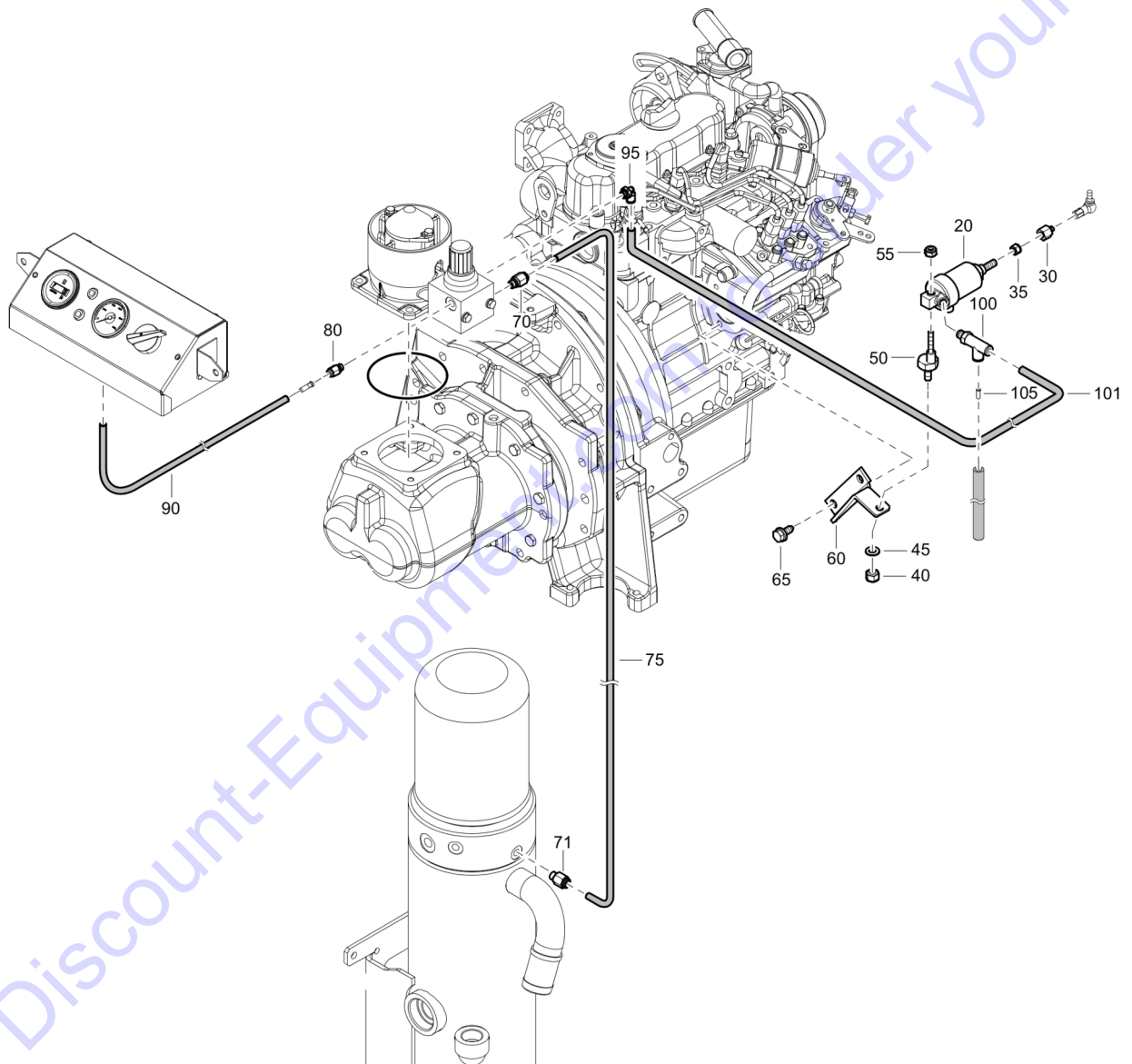
Id	Qty	Number	Name	Specifications
30	1	0830100925	SAFETY VALVE ASME	
40	1	1638213380	VESSEL AIR	
100	1	1638530300	DECAL	
101	1	1079993186	LABEL:TAMPERING W/NOISE SYST	
110	1	1079993139	Decal	

Go to Discount-Equipment.com to order your parts



Id	Qty	Number	Name	Specifications
10	1	1638228702	NOZZLE	
20	1	0661103800	SEALING WASHER	

Go to Discount-Equipment.com to order your parts



Id	Qty	Number	Name	Specifications
20	1	1626953700	ACTUATOR	
30	1	0324180069	SCREW HEXAGON	
35	1	0266210800	HEXAGON NUT	
40	1	0266211000	HEXAGON NUT	
45	1	0301233500	PLAIN WASHER(A) 8.4 X 16 X 1.6	
50	1	1626958200	SPACER	
55	1	0291112815	LOCKNUT: M6	
60	1	1626923401	BRACKET	
65	2	1619276600	HEX. HEAD SCREW	
70	1	0583810076	COUPLING STR	
71	1	0583810076	COUPLING STR	
75		0070600205	PLASTIC TUBE	
80	2	0583810057	COUPLING	
90		0070600204	TUBE:M 6.0ODX 4.0ID, BLACK	
95	1	0583810057	COUPLING	
100	1	9090153500	L/T COUPLING G1/8 INCH 6MM	
101		0070600204	TUBE:M 6.0ODX 4.0ID, BLACK	
105	1	1626974001	NOZZLE	

Go to Discount-Equipment.com to order your parts

PARTS FINDER

**Search Website
by Part Number**



**Search Manual
Library For Parts
Manual & Lookup Part
Numbers – Purchase
or Request Quote**

Search Manuals

Enter your information to help us find the right parts manual for your machine.

* Brand:

* Model:

* Serial:

* Part Number:

SEARCH

**Can't Find Part or
Manual? Request Help
by Manufacturer,
Model & Description**

Parts Order Form

Please fill in the following information to help us find the right part for your machine.

Manufacturer:	<input type="text"/>
Model:	<input type="text"/>
Description:	<input type="text"/>
Part Number:	<input type="text"/>
Quantity:	<input type="text"/>
Notes:	<input type="text"/>

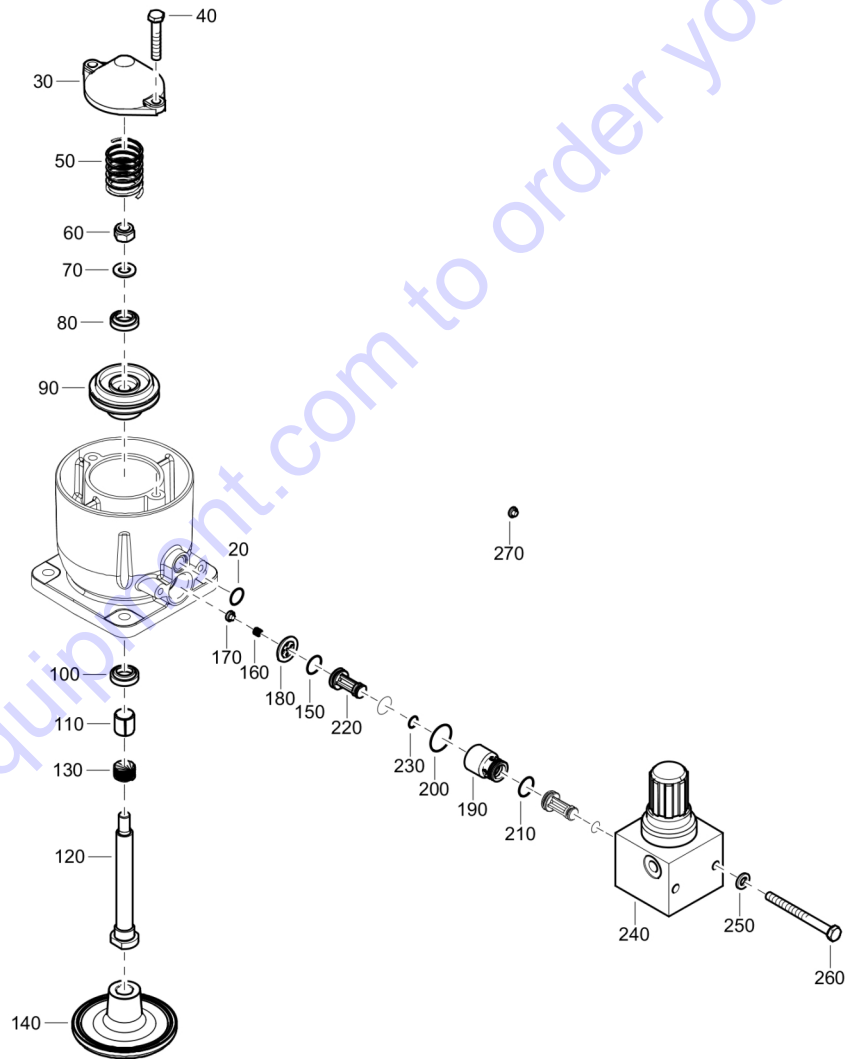
Discount-Equipment.com is your online resource for quality parts & equipment.

Florida: **561-964-4949** Outside Florida TOLL FREE: **877-690-3101**

Need parts?

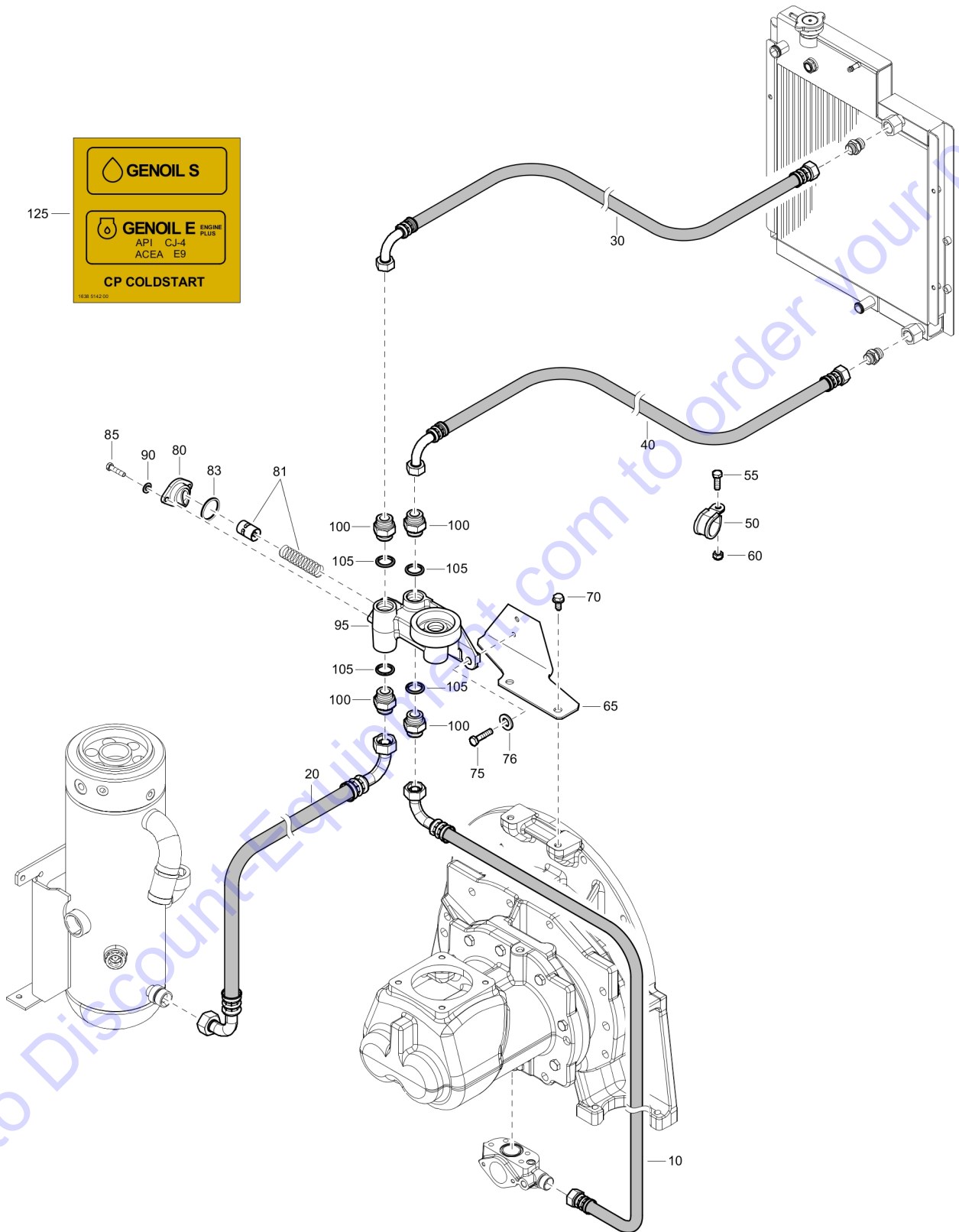
Click on this link: <http://www.discount-equipment.com/category/5443-parts/> and choose one of the options to help get the right parts and equipment you are looking for. Please have the machine model and serial number available in order to help us get you the correct parts. If you don't find the part on the website or on one of the online manuals, please fill out the request form and one of our experienced staff members will get back to you with a quote for the right part that your machine needs.

We sell worldwide for the brands: Genie, Terex, JLG, MultiQuip, Mikasa, Essick, Whiteman, Mayco, Toro Stone, Diamond Products, Generac Magnum, Airman, Haulotte, Barreto, Power Blanket, Nifty Lift, Atlas Copco, Chicago Pneumatic, Allmand, Miller Curber, Skyjack, Lull, Skytrak, Tsurumi, Husquvarna Target, Stow, Wacker, Sakai, Mi-T-M, Sullair, Basic, Dynapac, MBW, Weber, Bartell, Bennar Newman, Haulotte, Ditch Runner, Menegotti, Morrison, Contec, Buddy, Crown, Edco, Wyco, Bomag, Laymor, EZ Trench, Bil-Jax, F.S. Curtis, Gehl Pavers, Heli, Honda, ICS/PowerGrit, IHI, Partner, Imer, Clipper, MMD, Koshin, Rice, CH&E, General Equipment, Amida, Coleman, NAC, Gradall, Square Shooter, Kent, Stanley, Tamco, Toku, Hatz, Kohler, Robin, Wisconsin, Northrock, Oztec, Toker TK, Rol-Air, APT, Wylie, Ingersoll Rand / Doosan, Innovatech, Con X, Ammann, Mecalac, Makinex, Smith Surface Prep, Small Line, Wanco, Yanmar



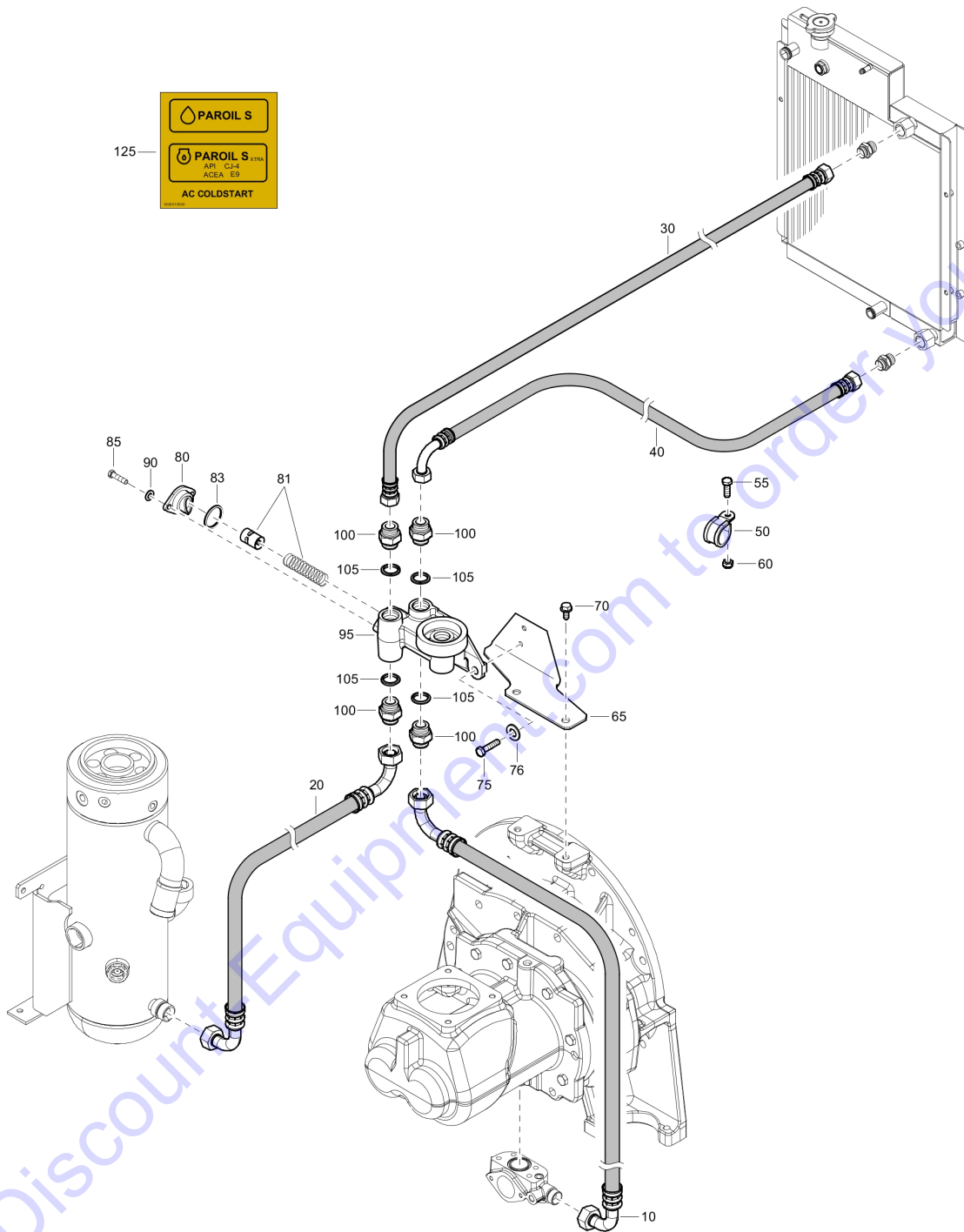
Id	Qty	Number	Name	Specifications
20	1	0663611800	O-RING	
30	1	1615766701	COVER	
40	2	0147125112	HEX. HEAD SCREW	
50	1	1615767201	SPRING	
60	1	0291111000	LOCK NUT	
70	1	0301233500	PLAIN WASHER(A) 8.4 X 16 X 1.6	
80	1	0665911000	WIPER	
90	1	1615875500	PISTON	
100	1	0665911000	WIPER	
110	1	0500451021	PLAIN BEARING	
120	1	1638123200	ROD PISTON	
130	1	1604038801	SPRING	
140	1	1638123302	VALVE REGUL.	
150	1	0663711900	O-RING	
160	1	1626032700	SPRING	
170	1	1604038900	SEAT	
180	1	1615834600	RETAINER	
190	1	1615834501	BUSHING	
200	1	0663712600	O-RING	
210	1	0663712000	O-RING	
220	1	1615767300	VALVE	
230	1	0663611400	O-RING	
240	1	1626824081	VALVE REGUL.	
250	2	0301232100	PLAIN WASHER	
260	2	0147125703	BOLT	
270	1	1604038900	SEAT	

Go to Discount-Equipment.com to order your parts



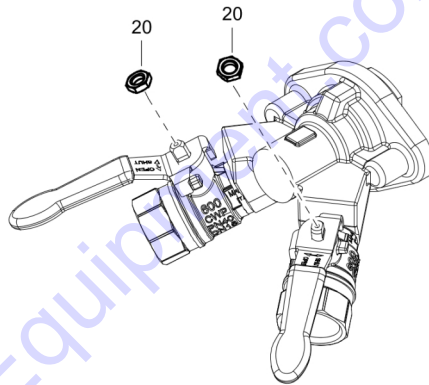
Id	Qty	Number	Name	Specifications
10	1	1638179202	Hose assembly	
20	1	1638179301	HOSE ASSEMBLY	
30	1	1638175501	HOSE ASSEMBLY	
40	1	1638179502	HOSE ASSEMBLY	
50	2	0346100210	CLAMP	
55	2	0147132503	HEX. HEAD SCREW	
60	2	0291112818	LOCK NUT M8 DIN985 CL8 FZB	
65	1	1638273600	BRACKET	
70	2	1619276600	HEX. HEAD SCREW	
75	2	0147132603	HEX. HEAD SCREW	
76	2	0301233500	PLAIN WASHER(A) 8.4 X 16 X 1.6	
80	1	1097559000	FLANGE	
81	1	1094838401	THERMOST.VALVE 70	
83	1	0663713200	O-RING	
85	2	0147124603	HEX. HEAD SCREW	
90	2	0301232100	PLAIN WASHER	
95	1	1622272820	HOUSING THERM	
100	4	1079584029	HEXAGON NIPPLE	
105	4	0661103800	SEALING WASHER	
125	1	1638514200	DECAL SYMBOLS	

Go to Discount-Equipment.com to order your parts



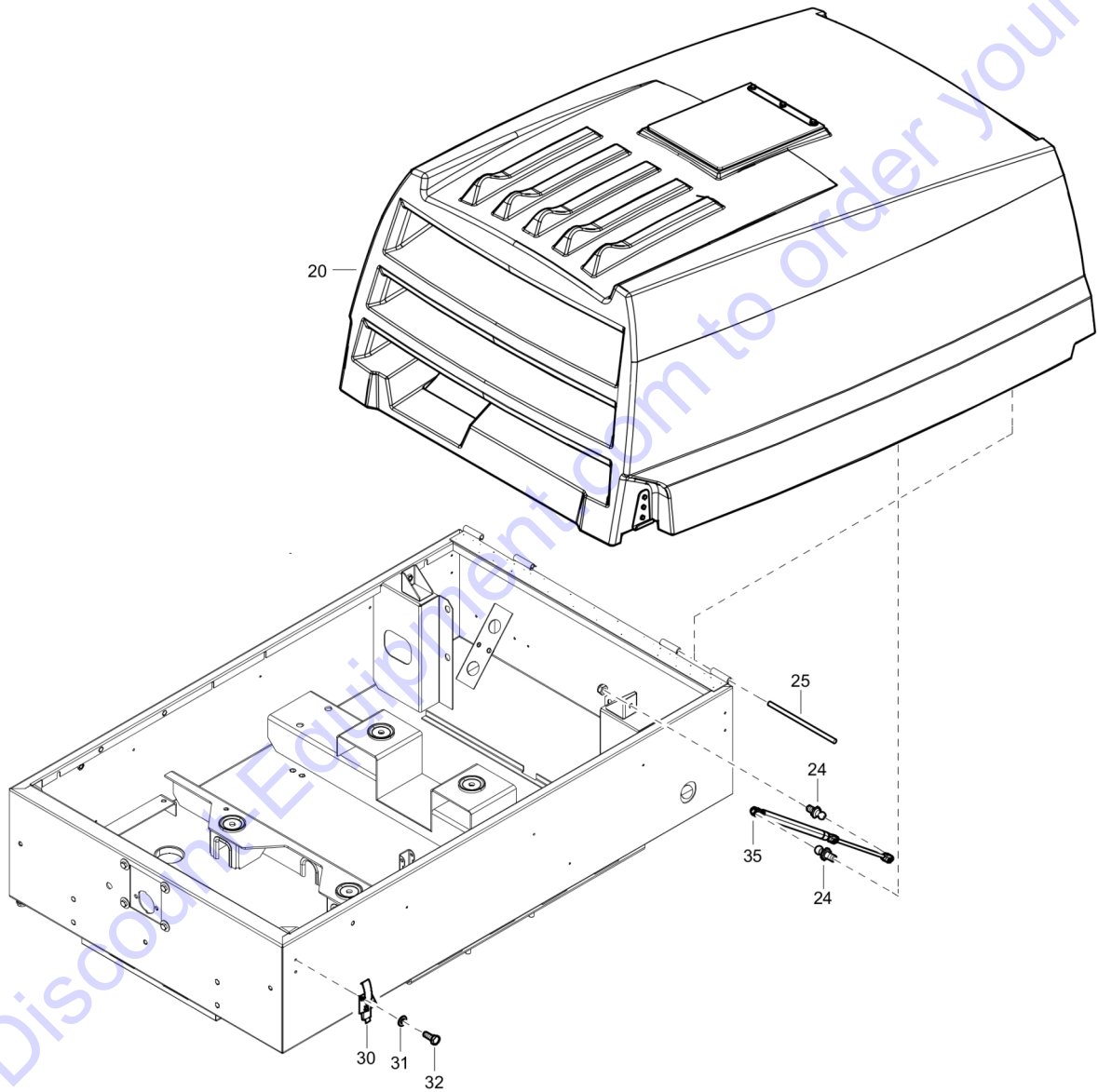
Id	Qty	Number	Name	Specifications
10	1	1638179201	Hose assembly	
20	1	1638179301	HOSE ASSEMBLY	
30	1	1638175501	HOSE ASSEMBLY	
40	1	1638179502	HOSE ASSEMBLY	
50	2	0346100210	CLAMP	
55	2	0147132503	HEX. HEAD SCREW	
60	2	0291112818	LOCK NUT M8 DIN985 CL8 FZB	
65	1	1638273600	BRACKET	
70	2	1619276600	HEX. HEAD SCREW	
75	2	0147132603	HEX. HEAD SCREW	
76	2	0301233500	PLAIN WASHER(A) 8.4 X 16 X 1.6	
80	1	1614611800	FLANGE	
81	1	1619759500	THERMOSTAT 70°C	
83	1	0663713200	O-RING	
85	2	0147124603	HEX. HEAD SCREW	
90	2	0301232100	PLAIN WASHER	
95	1	1622272820	HOUSING THERM	
100	4	1079584029	HEXAGON NIPPLE	
105	4	0661103800	SEALING WASHER	
125	1	1638513900	DECAL SYMBOLS	

Go to Discount-Equipment.com to order your parts



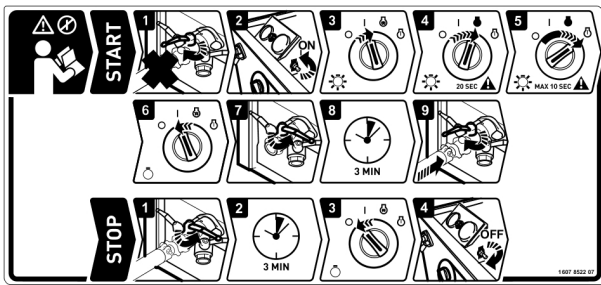
Id	Qty	Number	Name	Specifications
20	2	0261210800	NUT M6	

Go to Discount-Equipment.com to order your parts

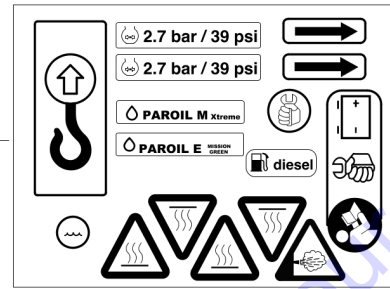


Id	Qty	Number	Name	Specifications
20	1	1638195785	HOOD	
24	2	1626310800	BALL STUD	
25	2	1605002501	ROD:HINGE PIN	
30	2	1604627600	LATCH:PE CANOPY XAS 185	
31	4	0301232100	PLAIN WASHER	
32	4	0147124403	HEX. HEAD SCREW	
35	2	1638230300	Actuator	

Go to Discount-Equipment.com to order your parts



15



40

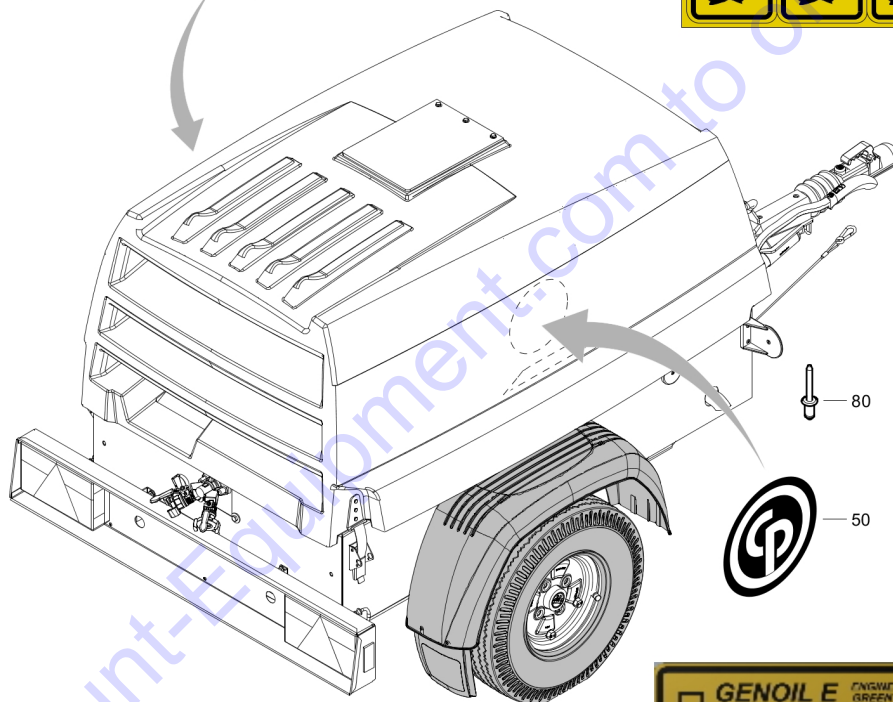


110



50

100



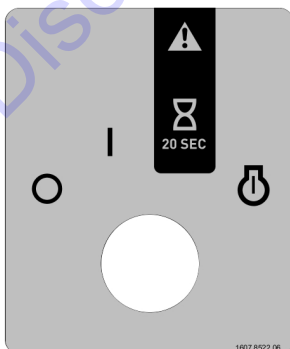
80



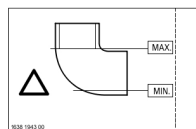
50



120



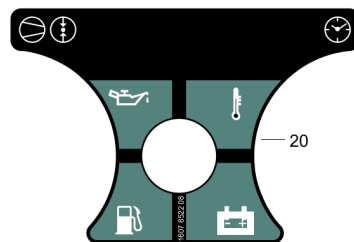
10



90



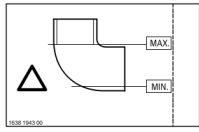
30



20

Id	Qty	Number	Name	Specifications
10	1	1607852206	DECAL START BUTTON	
15	1	1607852207	DECAL START BUTTON	
20	1	1607852208	DECAL CONTROL PANEL	
30	1	1638247300	DECAL WARNING	
40	1	1638246902	DECAL SYMBOLS	
50	2	1626537307	LABEL CP LOGO 8.5"	
80	4	0129327034	RIVET	
90	1	1638194300	DECAL INSTRUCT.	
100	1	1638766800	DECAL	
110	1	1638271800	GENOIL M LABEL	
120	1	1638442700	GENOIL E ENGINE GREEN LABEL	

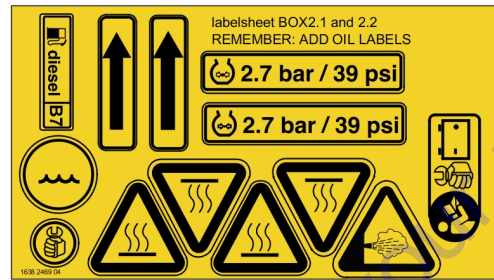
Go to Discount-Equipment.com to order your parts



90



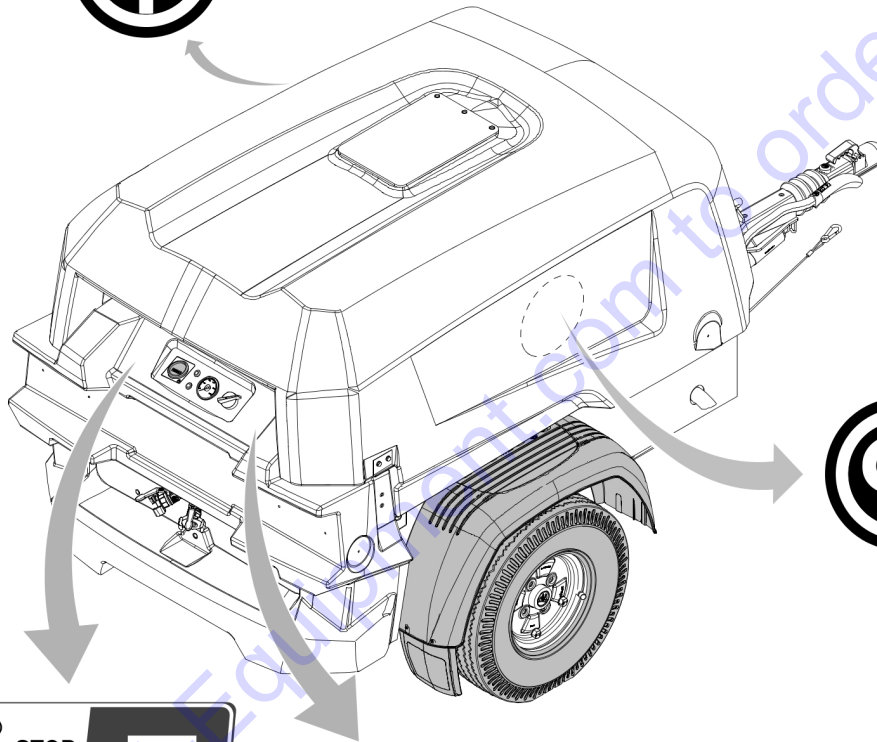
30



40



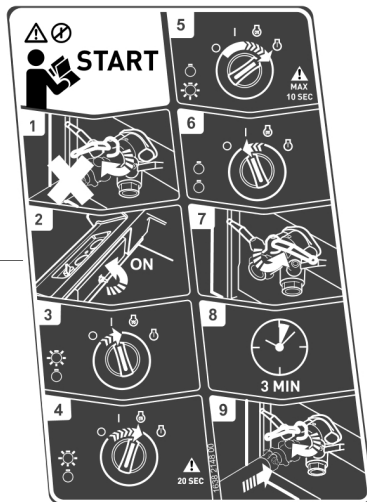
50



50



10



20



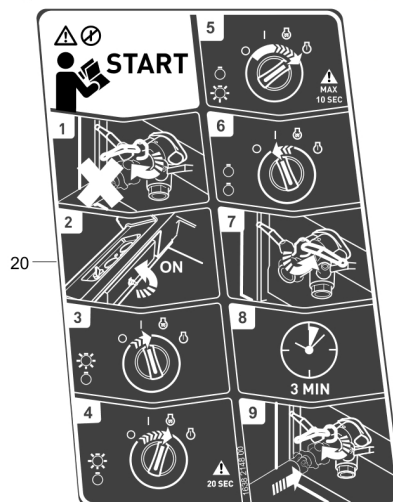
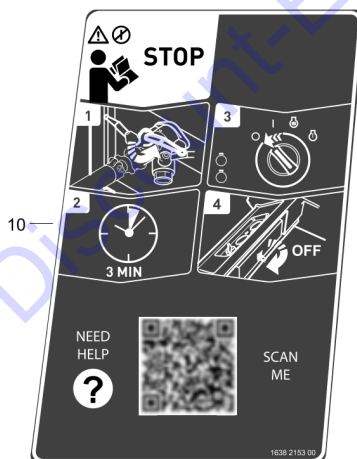
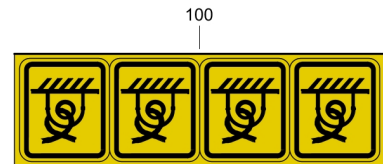
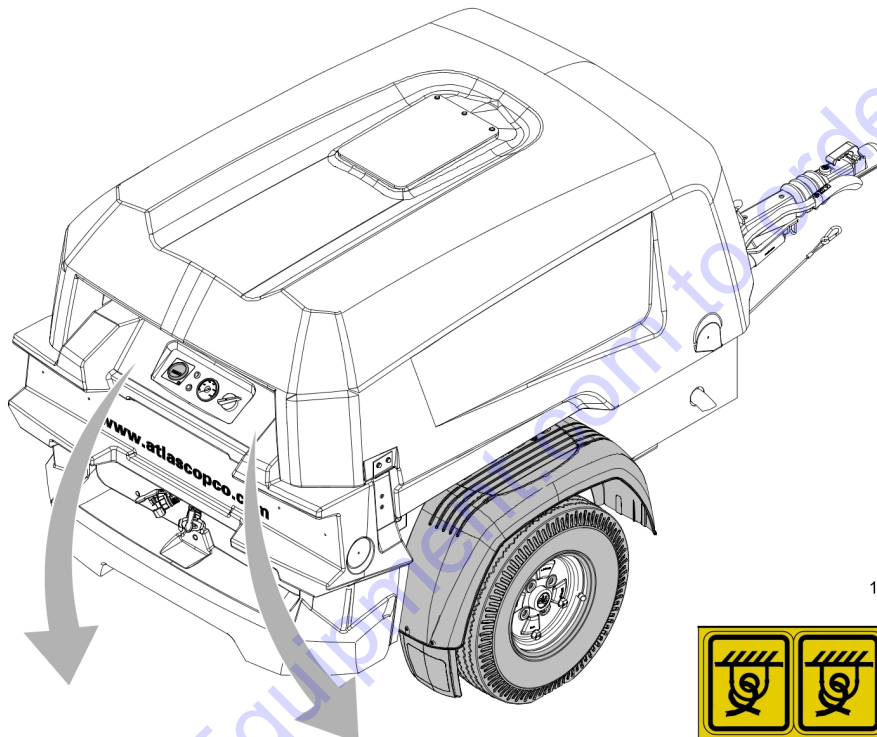
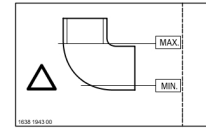
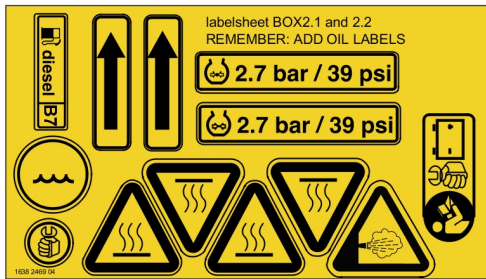
100



110

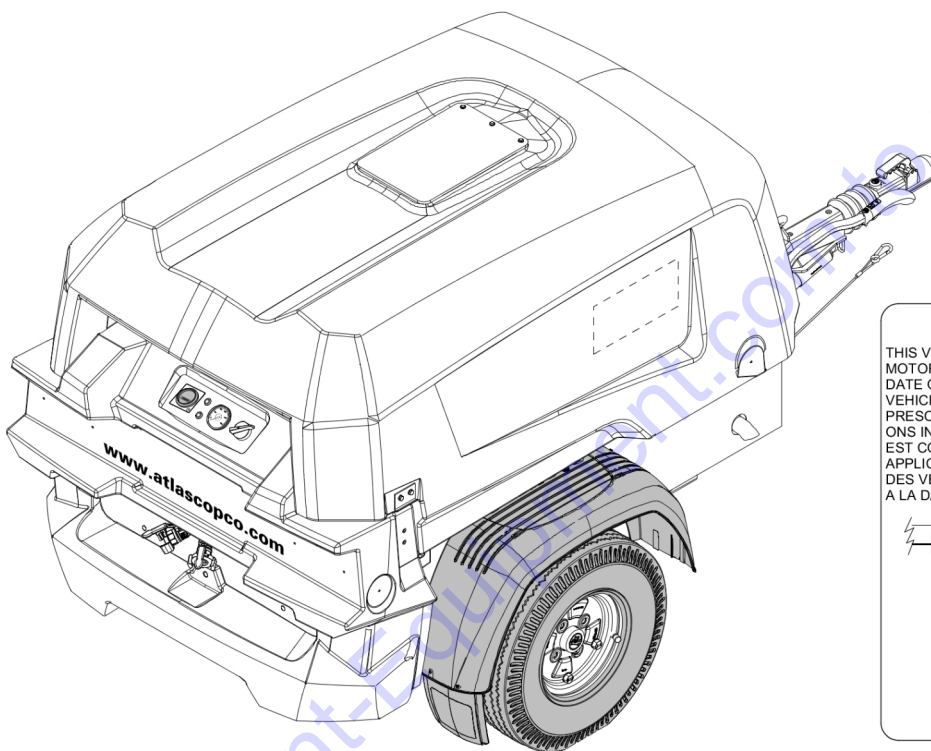
Id	Qty	Number	Name	Specifications
10	1	1638215301	DECAL STOP INSTRUCTION	
20	1	1638214800	DECAL START INSTRUCTION	
30	1	1638247300	DECAL WARNING	
40	1	1638246904	DECAL SYMBOLS	
50	2	1626537307	LABEL CP LOGO 8.5"	
90	1	1638194300	DECAL INSTRUCT.	
100	1	1638766800	DECAL	
110	1	1638894100	LABEL	

Go to Discount-Equipment.com to order your parts



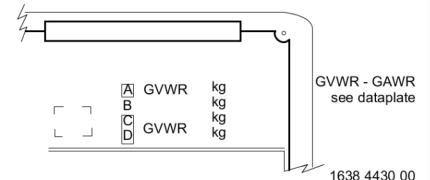
Id	Qty	Number	Name	Specifications
10	1	1638215301	DECAL STOP INSTRUCTION	
20	1	1638214800	DECAL START INSTRUCTION	
30	1	1638247300	DECAL WARNING	
40	1	1638246904	DECAL SYMBOLS	
90	1	1638194300	DECAL INSTRUCT.	
100	1	1638766800	DECAL	
200	2	1638530500	LABEL	
210	1	1638894100	LABEL	

Go to Discount-Equipment.com to order your parts



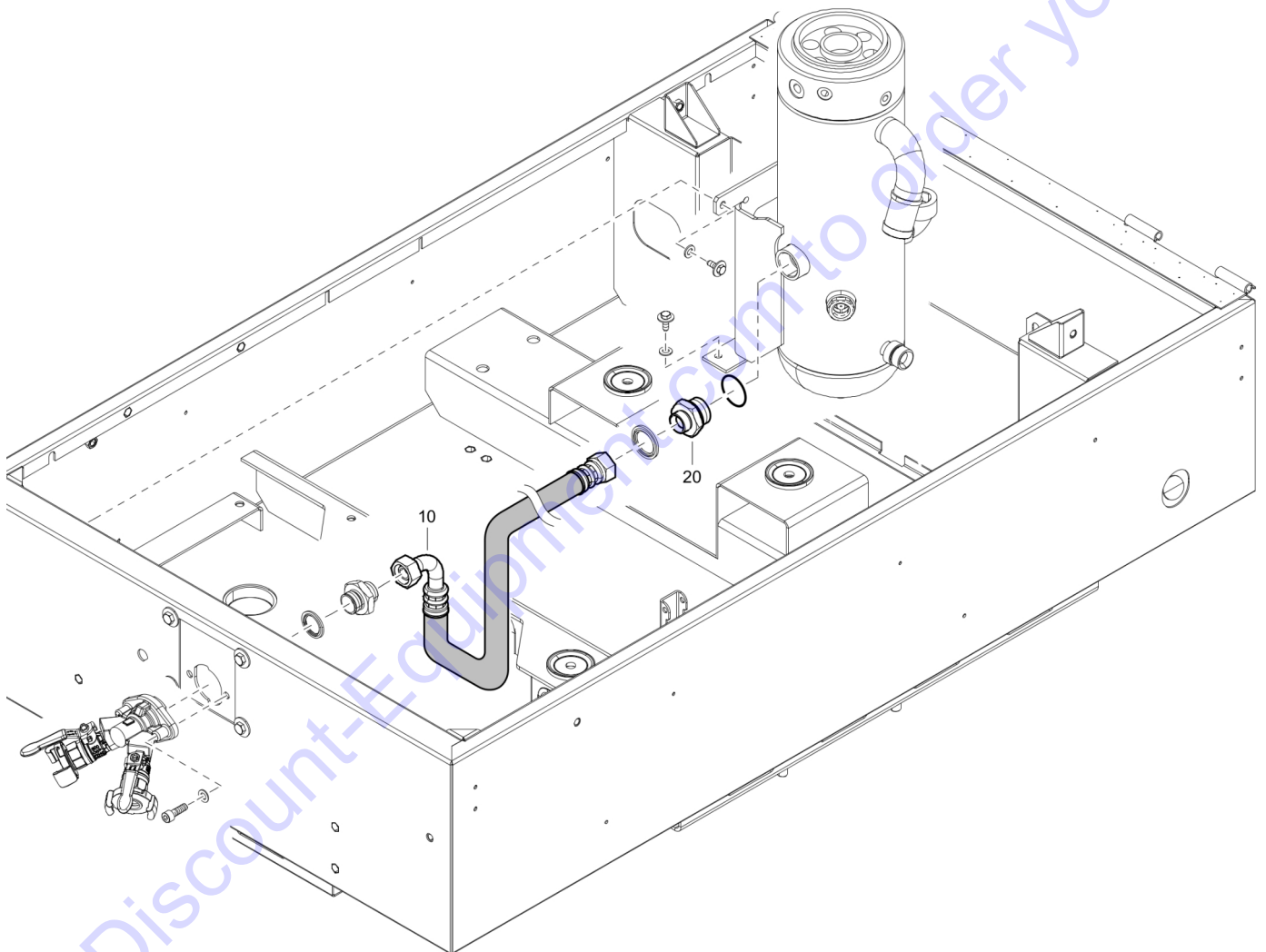
95

THIS VEHICLE CONFORMS TO ALL APPLICABLE U.S. FEDERAL MOTOR VEHICLE SAFETY STANDARDS IN EFFECT ON THE DATE OF MANUFACTURE SHOWN ON DATAPLATE. THIS VEHICLE CONFORMS TO ALL APPLICABLE STANDARDS PRESCRIBED UNDER CANADIAN MOTOR SAFETY REGULATIONS IN EFFECT ON THE DATE ON MANUFACTURE/CE VEHIC EST CONFORME A TOUTES LES NORMES QUI LUI SONT APPLICABLES EN VERTU DU REGLEMENT SUR LA SECURITE DES VEHICULES AUTOMOBILES DU CANADA EN VIGUEUR A LA DATE DE SA FABRICATION.



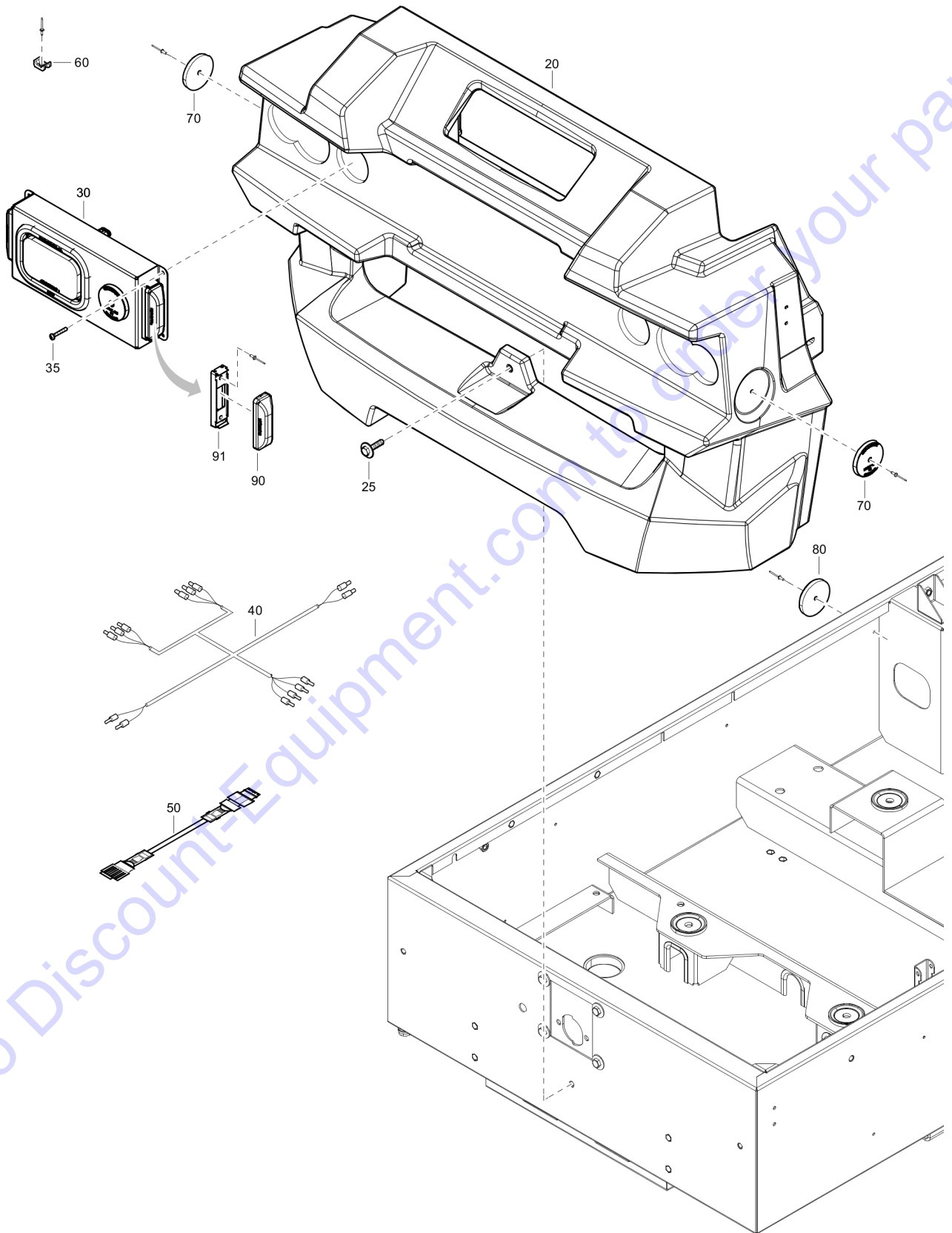
Id	Qty	Number	Name	Specifications
95	1	1638443000	DECAL INSTRUCT.	

Go to Discount-Equipment.com to order your parts



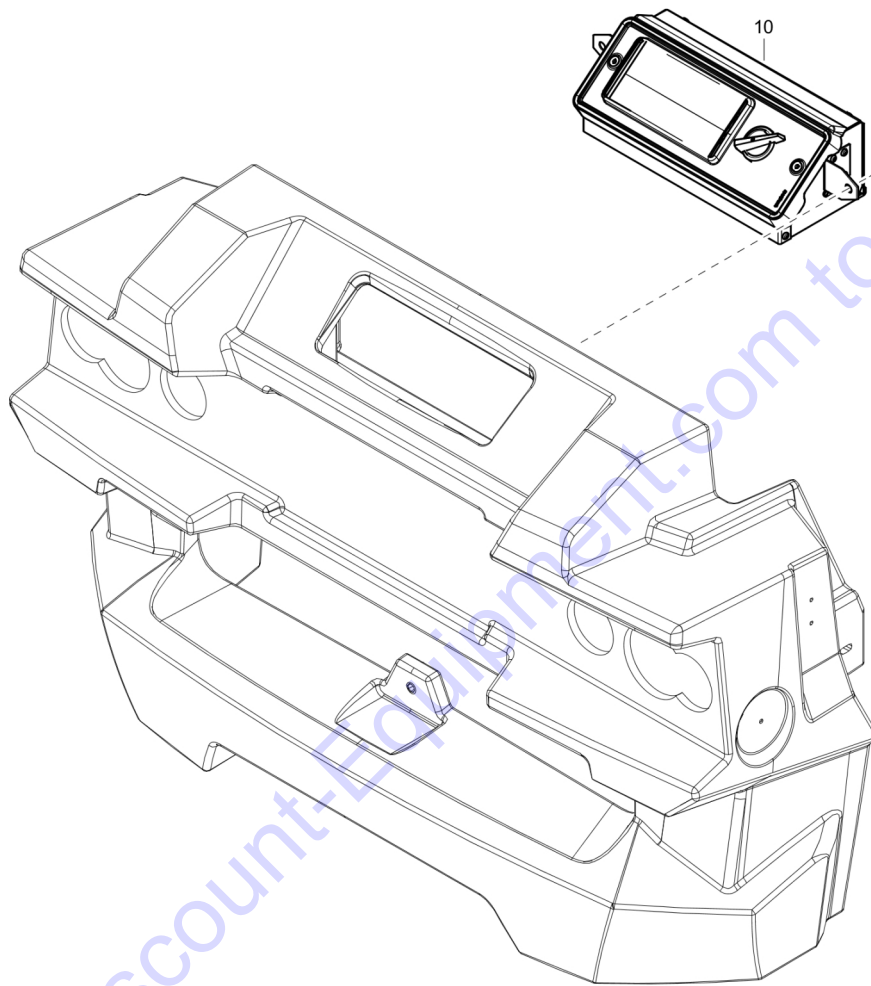
Id	Qty	Number	Name	Specifications
10	1	1638177902	HOSE ASSEMBLY	
20	1	1079584022	PIPE CONNECTION	

Go to Discount-Equipment.com to order your parts



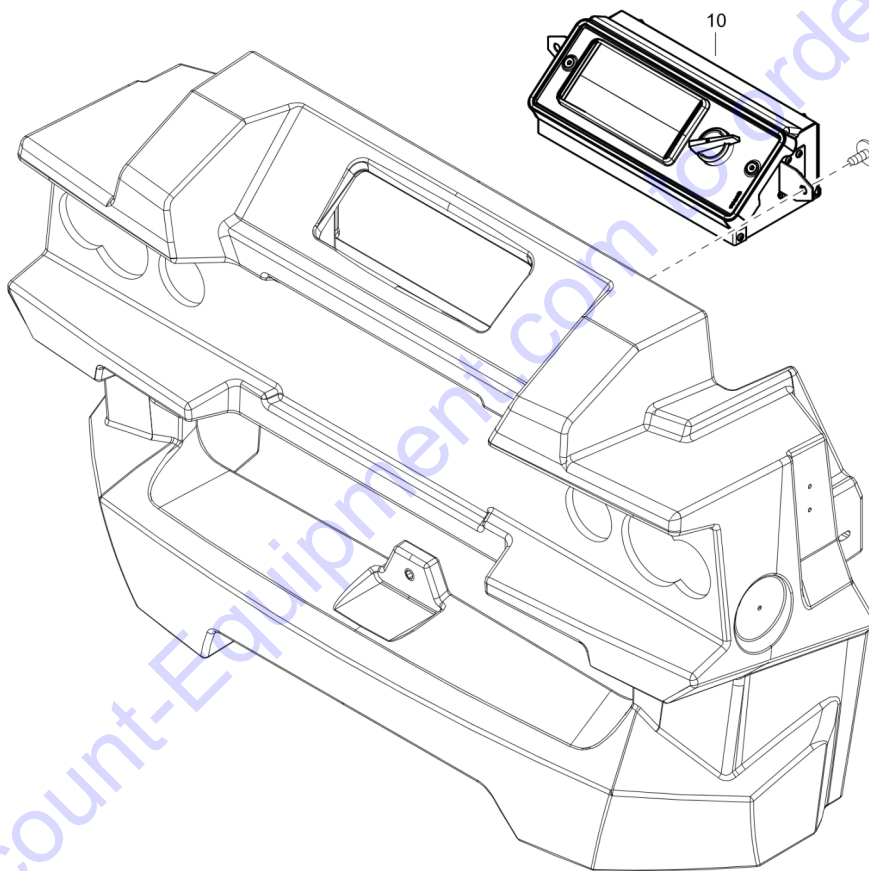
Id	Qty	Number	Name	Specifications
20	1	1638693381	BUMPER	
25	5	1604646600	BOLT	
30	2	1638296380	LIGHT	
35	8	0226004709	TAPPING SCREW	
40	1	1638313354	WIRE HARNESS	
50	2	1638313201	WIRING DOT	
60	3	0348011003	ANCHOR PLATE	
70	2	1638315800	REFLECTOR	
80	2	1615552000	REFLECTOR	
90	2	1638295900	LAMP	
91	2	1638315700	HOLDER LAMP	

Go to Discount-Equipment.com to order your parts



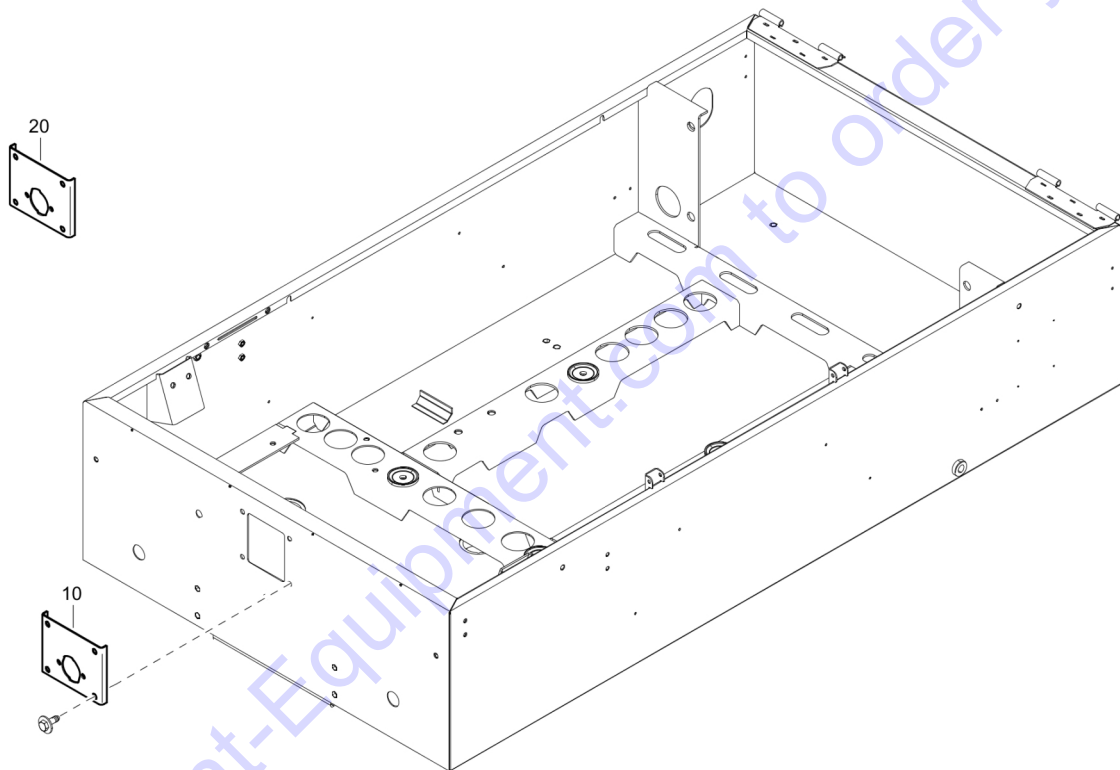
Id	Qty	Number	Name	Specifications
10	1	1638881680	CONTROL PANEL	

Go to Discount-Equipment.com to order your parts



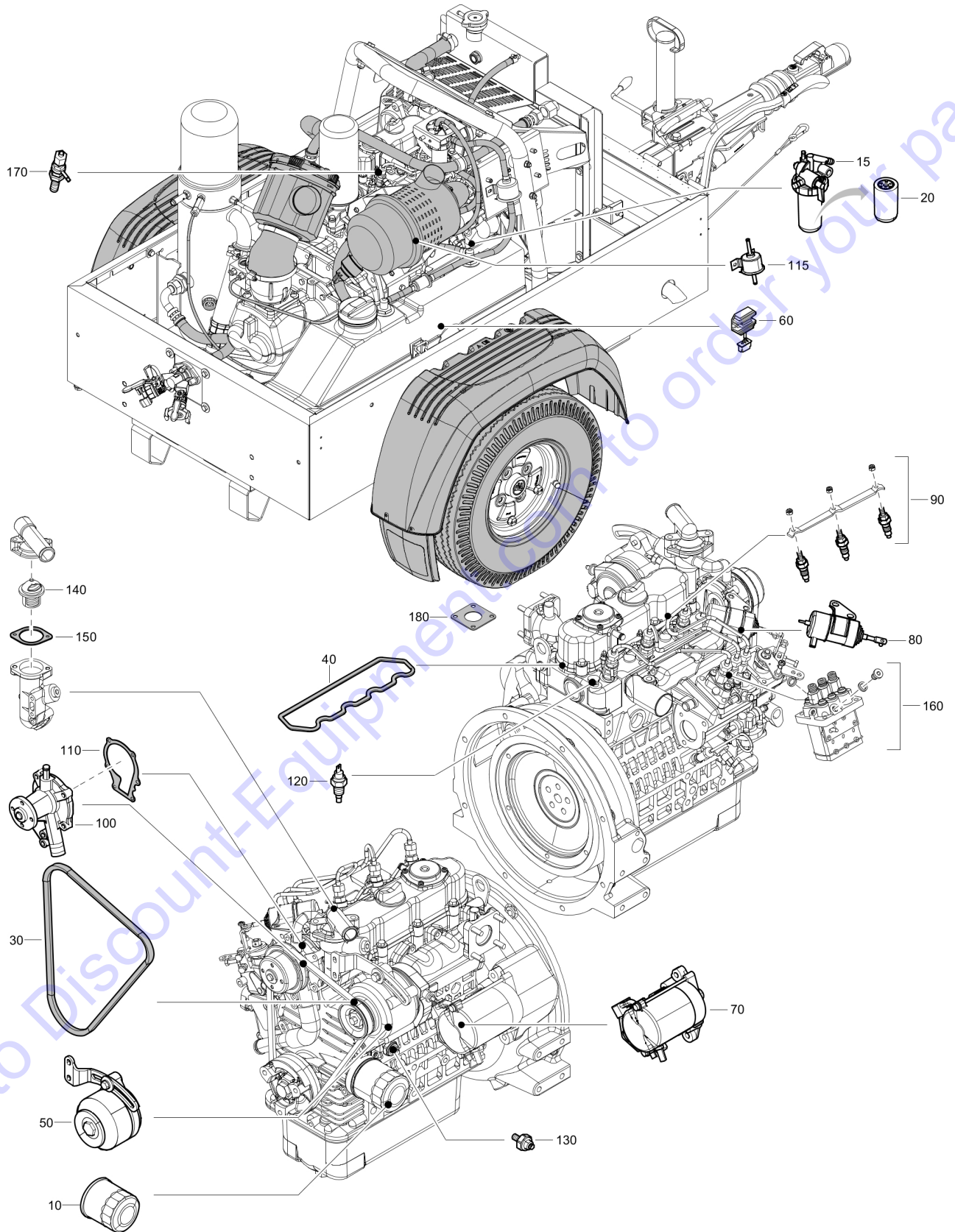
Id	Qty	Number	Name	Specifications
10	1	1638881680	CONTROL PANEL	

Go to Discount-Equipment.com to order your parts



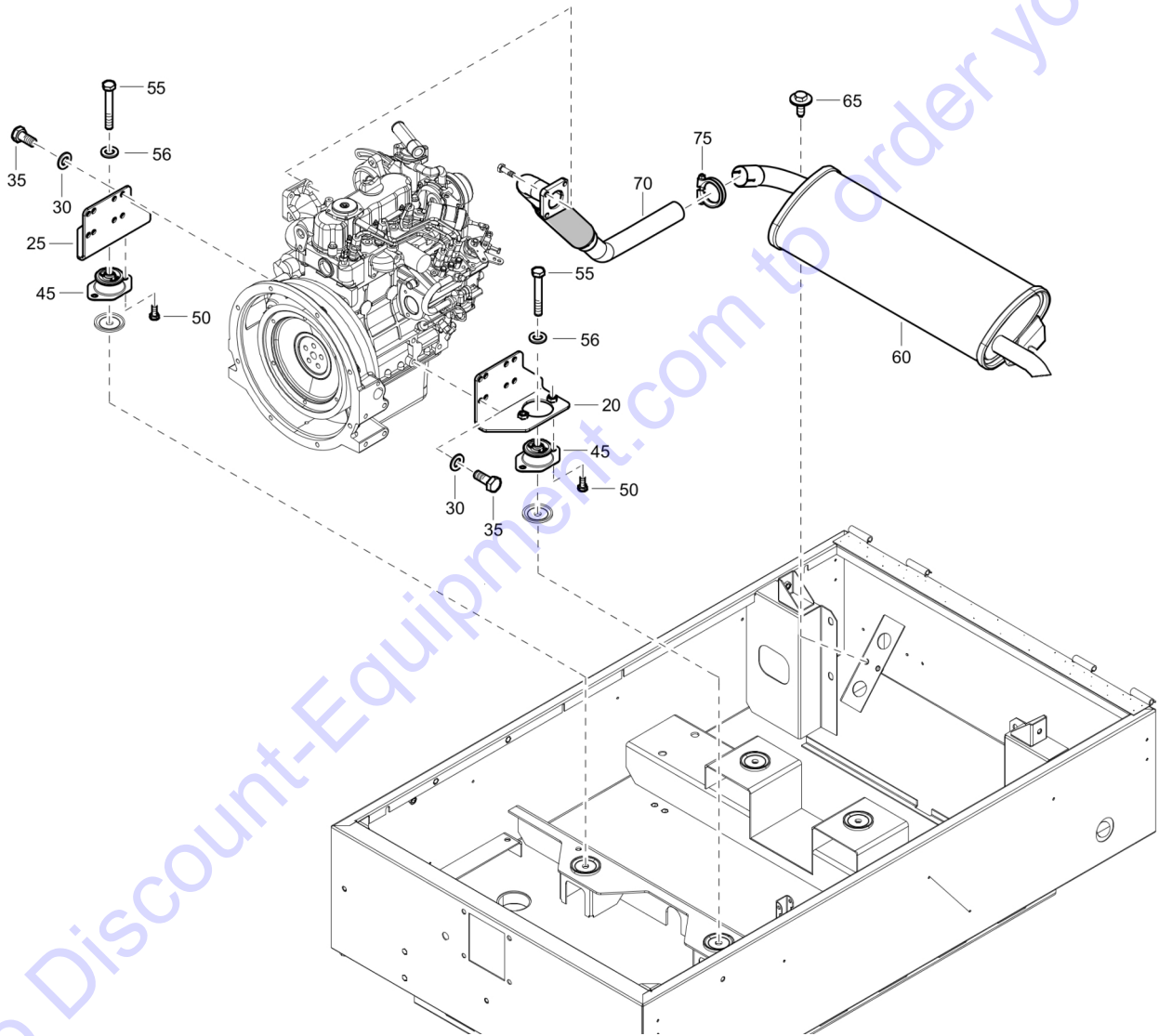
Id	Qty	Number	Name	Specifications
10	1	1638183301	Plate cover	
20	1	1638183301	Plate cover	

Go to Discount-Equipment.com to order your parts



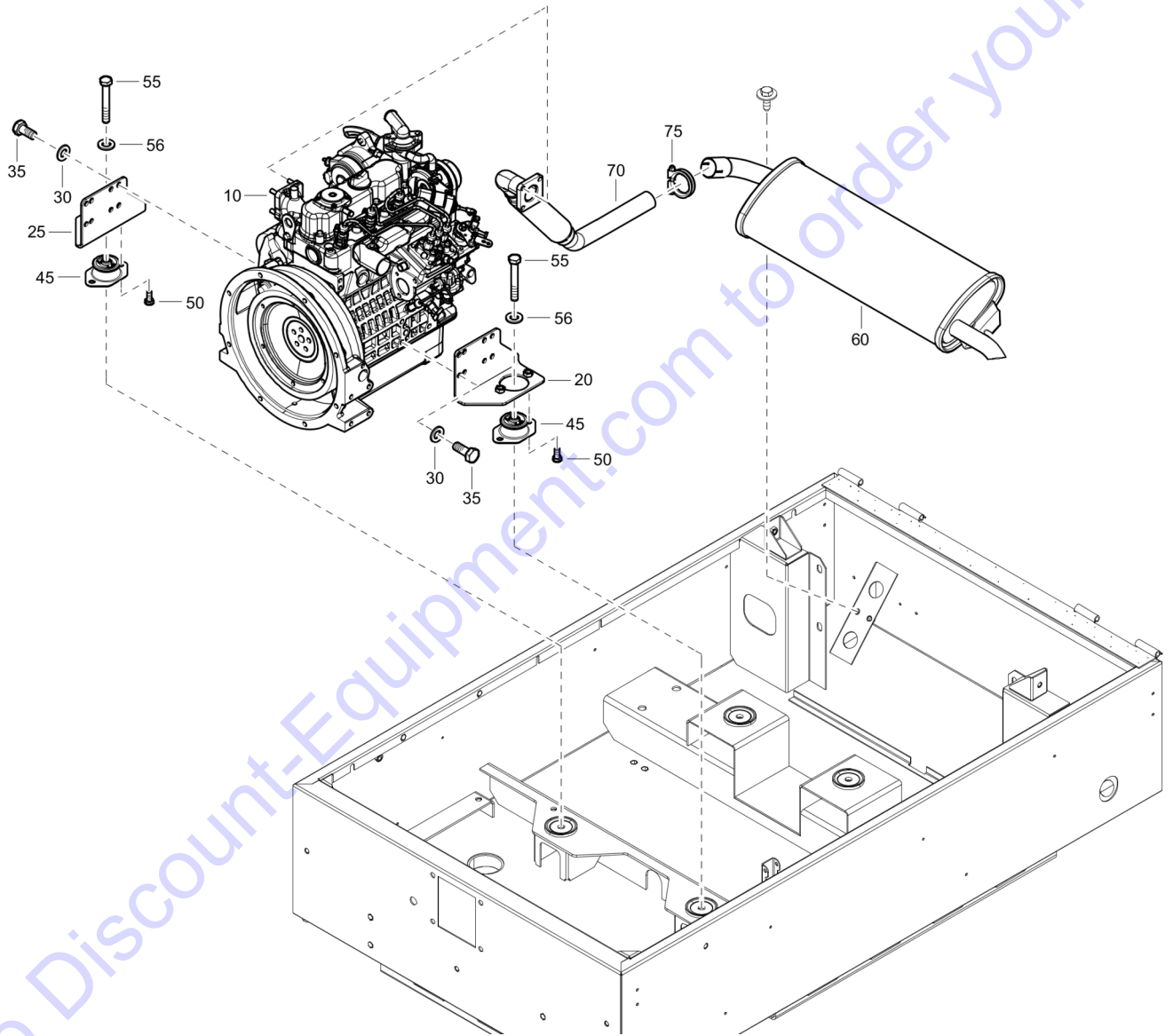
Id	Qty	Number	Name	Specifications
10	1	2913318000	FILTER OIL ENGINE	
15	1	2913320200	FILTER FUEL	
20	1	2913318100	FILTER FUEL	
30	1	2913318200	V-BELT	
40	1	2913320201	GASKET ROCKER COVER	
50	1	2913300000	DYNAMO	
60	1	2913313100	VOLTAGE REGULATOR	
70	1	2913318500	Starter motor	
80	1	2913318600	Fuel stop solenoid	
90	3	2913320202	PREHEAT PLUGS	
100	1	2913318700	Pump, Water	
110	1	2913318800	GASKET WATER PUMP	
115	1	2913308600	ELECTRICAL FUEL PUMP	
120	1	2913309900	COOLANT TEMP. SWITCH	
130	1	2913310000	OIL PRESSURE SWITCH	
140	1	2913304800	ENGINE THERMOSTAT	
150	1	2913312200	GASKET THERMOSTAT	
160	1	2913319100	Pump injection assembly	
170	3	2913320203	INJECTOR	
180	1	2913305900	GASKET.MUFFLER NA	

Go to Discount-Equipment.com to order your parts



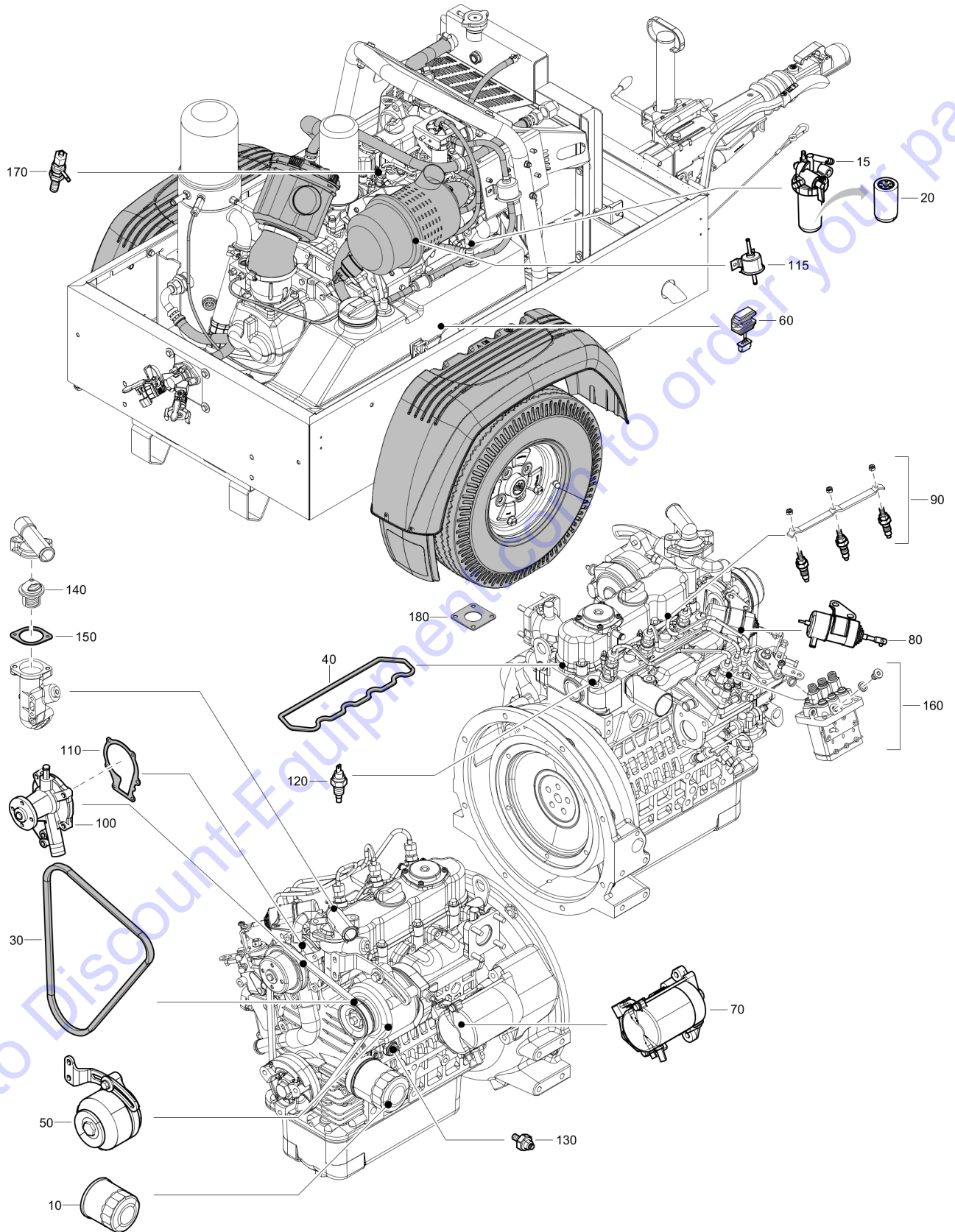
Id	Qty	Number	Name	Specifications
20	1	1638141500	SUPPORT (ENGINE)	
25	1	1638141400	SUPPORT (ENGINE)	
30	8	0301234400	PLAIN WASHER	
35	8	0147195945	HEX. HEAD SCREW	
45	2	1604186600	ANTIVIBRATION PAD	
50	4	0147195874	SCREW:M10 X 20 HEX HD ZP	
55	2	0147137103	SCREW:M10 X 70;HEX HD	
56	2	0301234400	PLAIN WASHER	
60	1	1638137702	MUFFLER	
65	2	1615566400	HEX. HEAD SCREW	
70	1	1638284600	PIPE	
75	1	0346300115	CLAMP PIPE	

Go to Discount-Equipment.com to order your parts



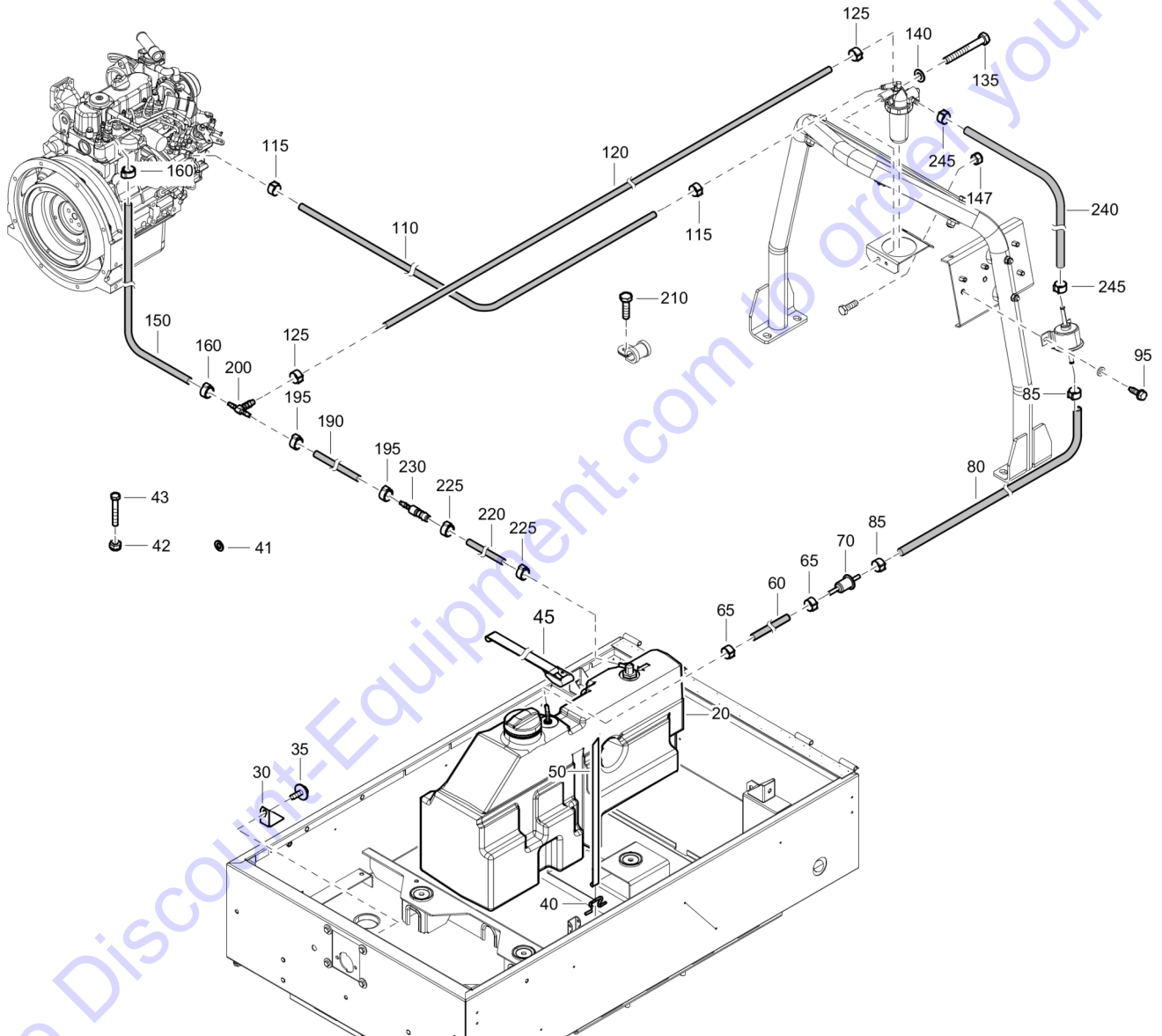
Id	Qty	Number	Name	Specifications
10	1	1638128600	ENGINE D902	
20	1	1638141500	SUPPORT (ENGINE)	
25	1	1638141400	SUPPORT (ENGINE)	
30	8	0301234400	PLAIN WASHER	
35	8	0147195945	HEX. HEAD SCREW	
45	2	1604186600	ANTIVIBRATION PAD	
50	4	0147195874	SCREW:M10 X 20 HEX HD ZP	
55	2	0147137103	SCREW:M10 X 70;HEX HD	
56	2	0301234400	PLAIN WASHER	
60	1	1638137702	MUFFLER	
70	1	1638284600	PIPE	
75	1	0346300115	CLAMP PIPE	

Go to Discount-Equipment.com to order your parts

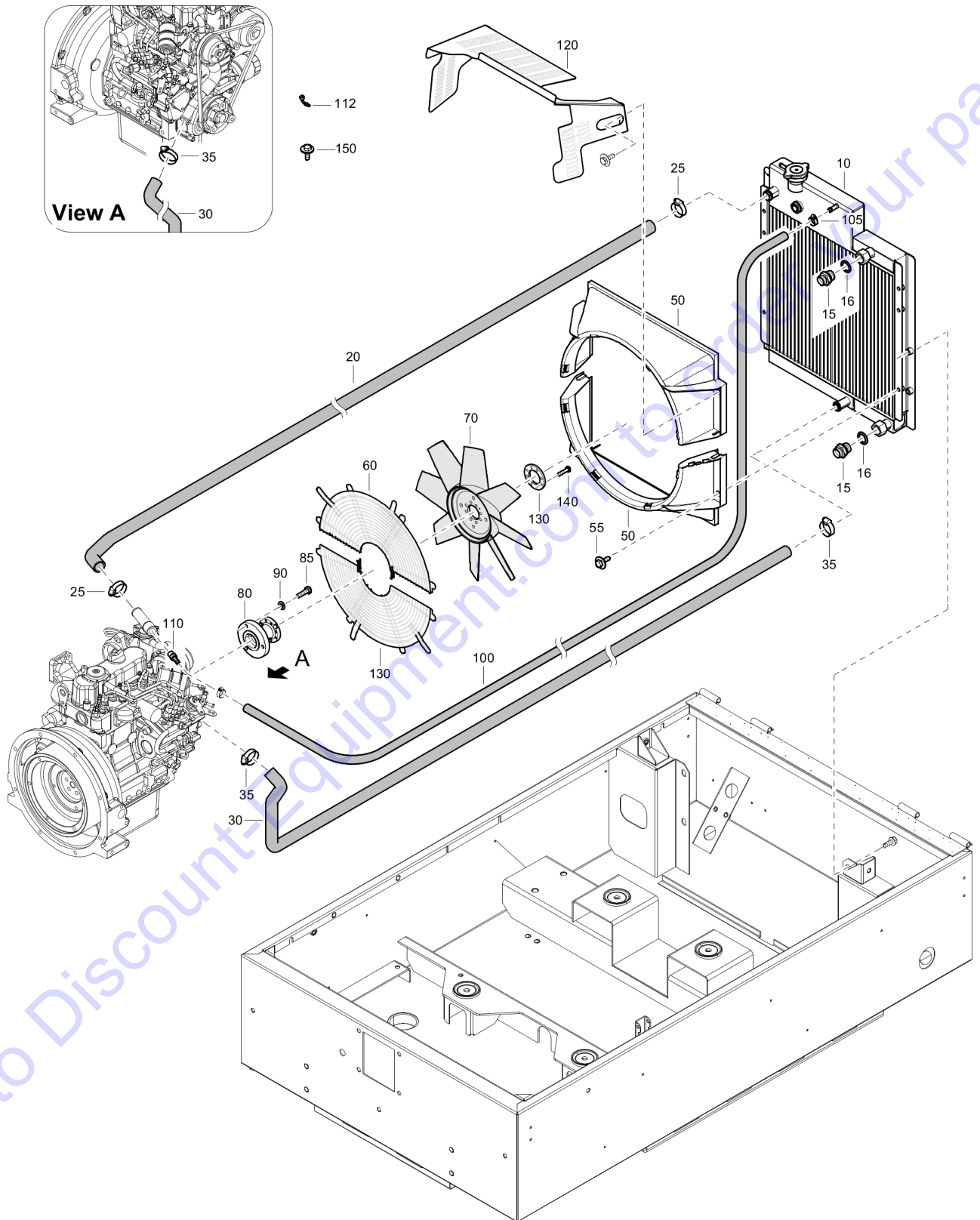


Id	Qty	Number	Name	Specifications
10	1	2913318000	FILTER OIL ENGINE	
15	1	2913320200	FILTER FUEL	
20	1	2913318100	FILTER FUEL	
30	1	2913318200	V-BELT	
40	1	2913320201	GASKET ROCKER COVER	
50	1	2913300000	DYNAMO	
60	1	2913313100	VOLTAGE REGULATOR	
70	1	2913318500	Starter motor	
80	1	2913318600	Fuel stop solenoid	
90	3	2913320202	PREHEAT PLUGS	
100	1	2913318700	Pump, Water	
110	1	2913318800	GASKET WATER PUMP	
115	1	2913308600	ELECTRICAL FUEL PUMP	
120	1	2913309900	COOLANT TEMP. SWITCH	
130	1	2913310000	OIL PRESSURE SWITCH	
140	1	2913304800	ENGINE THERMOSTAT	
150	1	2913312200	GASKET THERMOSTAT	
160	1	2913319100	Pump injection assembly	
170	3	2913320203	INJECTOR	
180	1	2913305900	GASKET.MUFFLER NA	

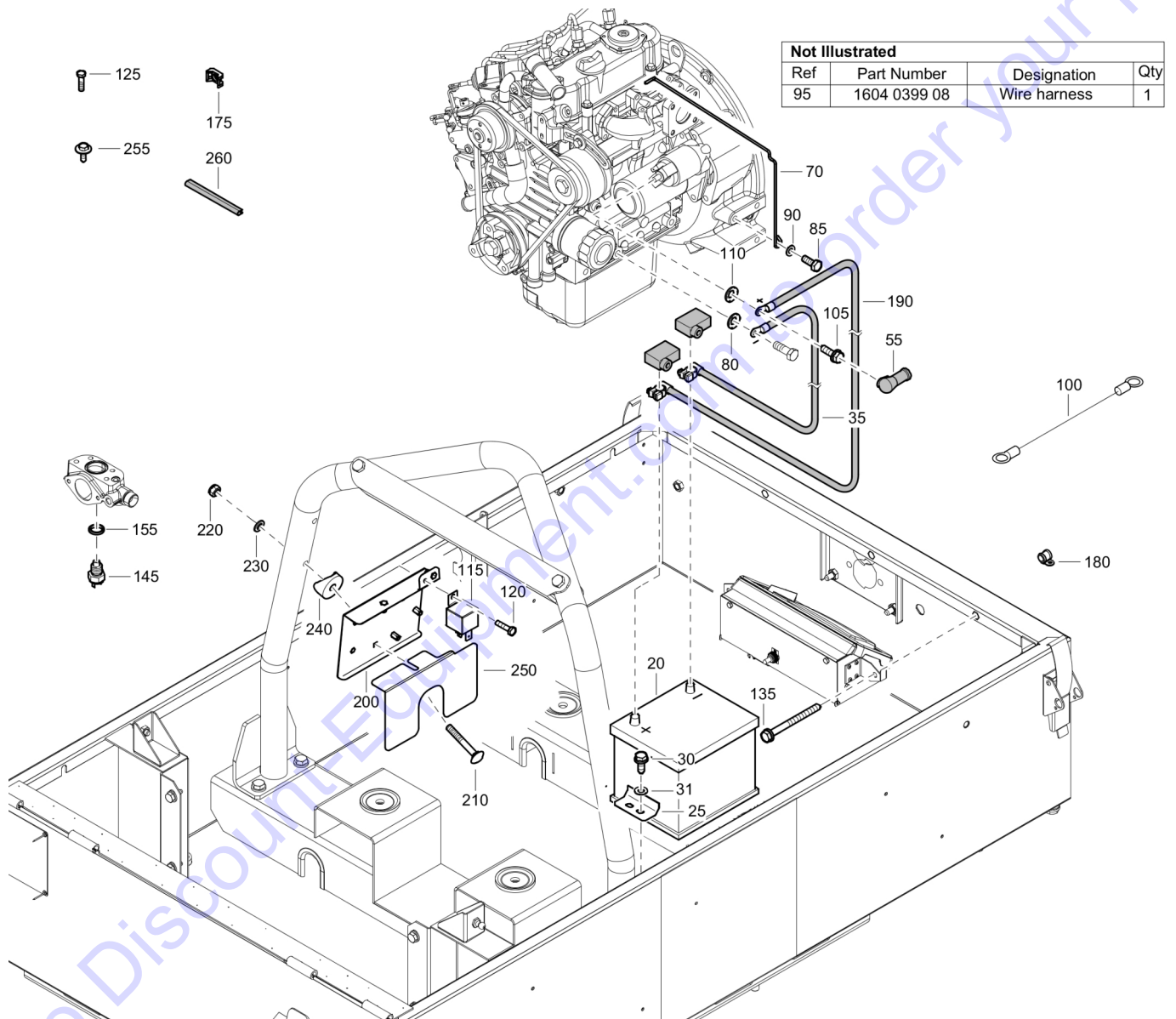
Go to Discount-Equipment.com to order your parts



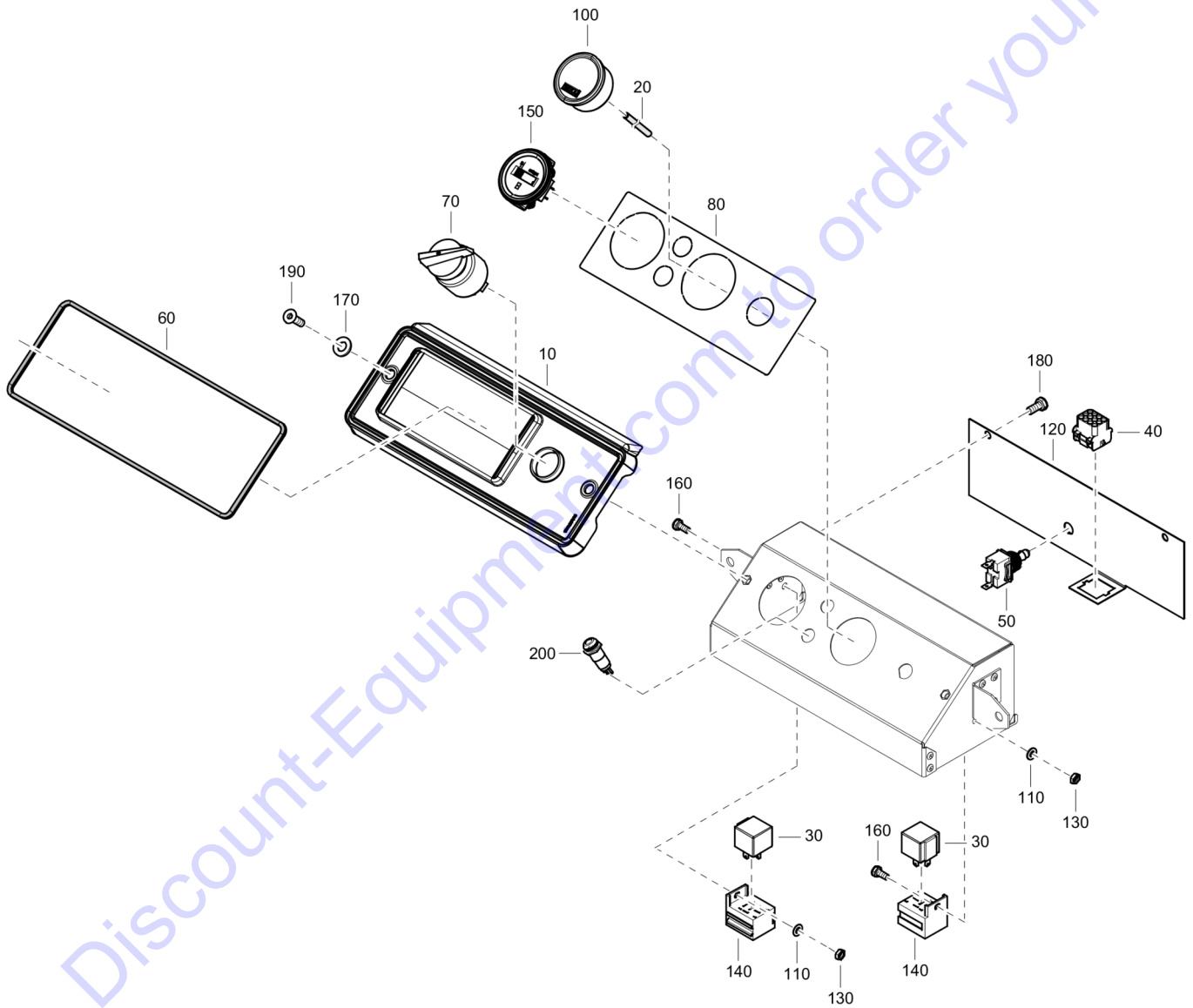
Id	Qty	Number	Name	Specifications
20	1	1626878381	TANK FUEL	
30	1	1626928001	BRACKET	
35	1	1615566400	HEX. HEAD SCREW	
40	1	1626360700	RETAINER	
41	2	0301232100	PLAIN WASHER	
42	1	0291110800	LOCKNUT:M6,NYL,\$STL	
43	1	0147125403	PARAF.SEXT. M6X50MM FZB	
45	1	1616461401	BAND:NYLON W/BUCKLE,FUEL TANK	
50	1	1604942501	STRAP	
60		0075402599	HOSE	
65	2	1604413700	HOSE CLIP	
70	1	1604579200	PREFILTER	
80		0075402599	HOSE	
85	2	1604413700	HOSE CLIP	
95	2	1619589801	HEX. HEAD SCREW	
110		0075402599	HOSE	
115	2	1604413700	HOSE CLIP	
120		0075402599	HOSE	
125	2	1604413700	HOSE CLIP	
135	1	0147133303	HEX. HEAD SCREW	
140	1	0301233500	PLAIN WASHER(A) 8.4 X 16 X 1.6	
147	2	0266211000	HEXAGON NUT	
150		0075402543	TUBE	
160	2	0347012207	CLAMP HOSE	
190		0075402543	TUBE	
195	2	0347012207	CLAMP HOSE	
200	1	0571001008	CONNECTOR	
210	1	0147132503	HEX. HEAD SCREW	
220		0075402543	TUBE	
225	2	0347012207	CLAMP HOSE	
230	1	1604501400	HOSE NIPPLE	
240		0075402599	HOSE	
245	2	1604413700	HOSE CLIP	



Id	Qty	Number	Name	Specifications
10	1	1638146505	COOLER	
15	2	1079584029	HEXAGON NIPPLE	
16	2	0661103800	SEALING WASHER	
20		0075402606	HOSE	
25	2	0347610900	CLAMP-HOSE:M26/38D WORM TYPE	
30	1	1638247000	HOSE	
35	2	0347610800	CLAMP-HOSE:M25/32D WORM TYPE	
50	2	1202866900	FAN COWL	
55	4	1615566400	HEX. HEAD SCREW	
60	2	1202867001	FAN GUARD	
70	1	1604584800	FAN	
80	1	1638135201	ADAPTER FAN	
85	3	0147132503	HEX. HEAD SCREW	
90	3	0301233500	PLAIN WASHER(A) 8.4 X 16 X 1.6	
100		0075402569	TUBE	
105	1	0347610400	HOSE CLAMP	
110	1	3176382900	NIPPLE	
112	1	1604138400	HOSE NIPPLE	
120	1	1638207201	PLATE COVER	
130	1	1615769000	RING	
140	8	0147124903	HEX. HEAD SCREW	
150	4	1615566400	HEX. HEAD SCREW	

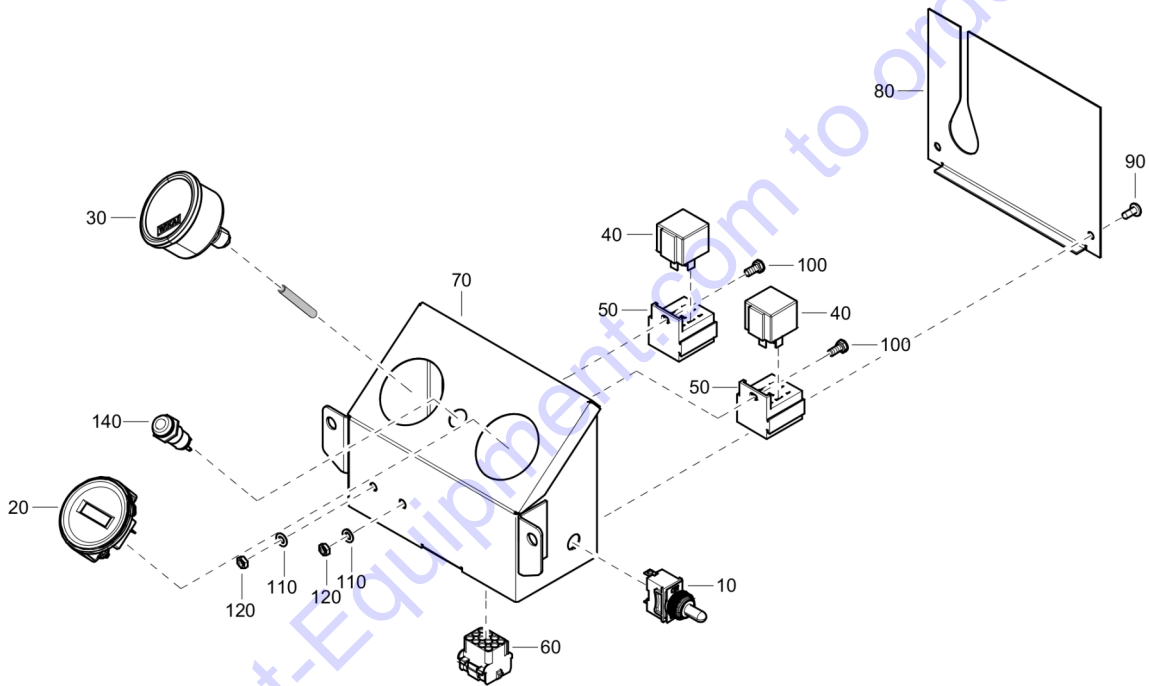


Id	Qty	Number	Name	Specifications
20	1	0975830009	STORAGE BATTERY	
25	1	1638152200	BRACKET (CLAMP BAT)	
30	2	1619276600	HEX. HEAD SCREW	
31	2	1088001901	CONTACT WASHER	
35	1	1604817982	CABLE BATTERY	
55	1	1604332900	PROTECTION CAP	
70	1	1638219001	GUIDE	
80	1	1088001902	WASHER-CONTACT:M10	
85	3	0144328403	SCREW	
90	1	1088001901	CONTACT WASHER	
95	1	1604039908	WIRE HARNESS	
100	1	1626060101	WIRE EARTHING	
105	1	1619276600	HEX. HEAD SCREW	
110	1	1088001901	CONTACT WASHER	
115	1	1607852373	RELAY AUX.	
120	2	0147124903	HEX. HEAD SCREW	
125	2	0147124703	HEX. HEAD SCREW	
135	2	1619276600	HEX. HEAD SCREW	
145	1	1605063600	SWITCH TEMP.	
155	1	0661103300	SEAL WASHER	
175	2	0348011003	ANCHOR PLATE	
180	1	1613080102	PIPE CLAMP	
190	1	1604774200	CABLE BATTERY	
200	1	1638218202	BRACKET	
210	2	0226991510	SQ. NECK BOLT	
220	2	0291111000	LOCK NUT	
230	2	0301233500	PLAIN WASHER(A) 8.4 X 16 X 1.6	
240	2	1638211800	Washer	
250	1	1638255002	PLATE COVER	
255	1	1615566400	HEX. HEAD SCREW	
260		1503105600	SEAL	



Id	Qty	Number	Name	Specifications
10	1	1638225400	COVER PROTECT.	
20	1	0070600204	TUBE:M 6.0ODX 4.0ID, BLACK	
30	3	1638294700	RELAY AUX.	
40	1	1088001530	CONNECTOR	
50	1	1626980701	SWITCH	
60	1	1638244600	SEAL GASKET	
70	1	1626964801	SWITCH POWER	
80	1	1638213001	DECAL CONTROL PANEL	
100	1	1626964402	INDICATOR PRESS	
110	3	0301231800	PLAIN WASHER	
120	1	1638112305	PLATE BACK	
130	3	0261210700	HEXAGON NUT M5	
140	3	1638294800	SOCKET	
150	1	1607852736	METER HOUR	
160	3	0147120403	HEX. HEAD SCREW	
170	2	0301233500	PLAIN WASHER(A) 8.4 X 16 X 1.6	
180	2	0147124403	HEX. HEAD SCREW	
190	2	0216124703	SCREW	
200	2	1638917700	INDICATOR	

Go to Discount-Equipment.com to order your parts



Id	Qty	Number	Name	Specifications
10	1	1626980701	SWITCH	
20	1	1607852736	METER HOUR	
30	1	1626964401	INDICATOR PRESS	
40	2	1638294700	RELAY AUX.	
50	2	1638294800	SOCKET	
60	1	1088001530	CONNECTOR	
70	1	1638163201	PANEL	
80	1	1638163100	PLATE BACK	
90	2	0226334317	Tapping screw	
100	2	0147120403	HEX. HEAD SCREW	
110	2	0301231800	PLAIN WASHER	
120	2	0261210700	HEXAGON NUT M5	
140	1	1607852360	INDICATOR	

Go to Discount-Equipment.com to order your parts

PARTS FINDER

**Search Website
by Part Number**



**Search Manual
Library For Parts
Manual & Lookup Part
Numbers – Purchase
or Request Quote**

Search Manuals

Enter your information to search for a manual or to purchase a manual or parts.

* Brand:

* Model:

* Serial:

* Part Number:

SEARCH

**Can't Find Part or
Manual? Request Help
by Manufacturer,
Model & Description**

Parts Order Form

Please fill in the following information:

Manufacturer:

Model:

Description:

Quantity:

Part Number:

Part Name:

Part Description:

Part Location:

Part Condition:

Part Status:

Part Color:

Part Material:

Part Weight:

Part Dimensions:

Part Price:

Part Notes:

Submit

Discount-Equipment.com is your online resource for quality parts & equipment.

Florida: **561-964-4949** Outside Florida TOLL FREE: **877-690-3101**

Need parts?

Click on this link: <http://www.discount-equipment.com/category/5443-parts/> and choose one of the options to help get the right parts and equipment you are looking for. Please have the machine model and serial number available in order to help us get you the correct parts. If you don't find the part on the website or on one of the online manuals, please fill out the request form and one of our experienced staff members will get back to you with a quote for the right part that your machine needs.

We sell worldwide for the brands: Genie, Terex, JLG, MultiQuip, Mikasa, Essick, Whiteman, Mayco, Toro Stone, Diamond Products, Generac Magnum, Airman, Haulotte, Barreto, Power Blanket, Nifty Lift, Atlas Copco, Chicago Pneumatic, Allmand, Miller Curber, Skyjack, Lull, Skytrak, Tsurumi, Husquvarna Target, Stow, Wacker, Sakai, Mi-T-M, Sullair, Basic, Dynapac, MBW, Weber, Bartell, Bennar Newman, Haulotte, Ditch Runner, Menegotti, Morrison, Contec, Buddy, Crown, Edco, Wyco, Bomag, Laymor, EZ Trench, Bil-Jax, F.S. Curtis, Gehl Pavers, Heli, Honda, ICS/PowerGrit, IHI, Partner, Imer, Clipper, MMD, Koshin, Rice, CH&E, General Equipment, Amida, Coleman, NAC, Gradall, Square Shooter, Kent, Stanley, Tamco, Toku, Hatz, Kohler, Robin, Wisconsin, Northrock, Oztec, Toker TK, Rol-Air, APT, Wylie, Ingersoll Rand / Doosan, Innovatech, Con X, Ammann, Mecalac, Makinex, Smith Surface Prep, Small Line, Wanco, Yanmar