

Go to [Discount-Equipment.com](http://Discount-Equipment.com) to order your parts



**Discount  
Equipment**

[www.discount-equipment.com](http://www.discount-equipment.com)

---

Filter	1809016613,BGF 003343 - 165095
Identity	1809016613
Specifications	Product number: 1809016613, Division: Portable Air, Product group: Hydraulic handheld, Product type: Hydraulic cut off saws , Product: SAW 14, Product: SAW 16, Product Company: Chakan

---

# PARTS FINDER

**Search Website  
by Part Number**



**Search Manual  
Library For Parts  
Manual & Lookup Part  
Numbers – Purchase  
or Request Quote**

**Can't Find Part or  
Manual? Request Help  
by Manufacturer,  
Model & Description**

Discount-Equipment.com is your online resource for quality parts & equipment.

Florida: **561-964-4949** Outside Florida TOLL FREE: **877-690-3101**

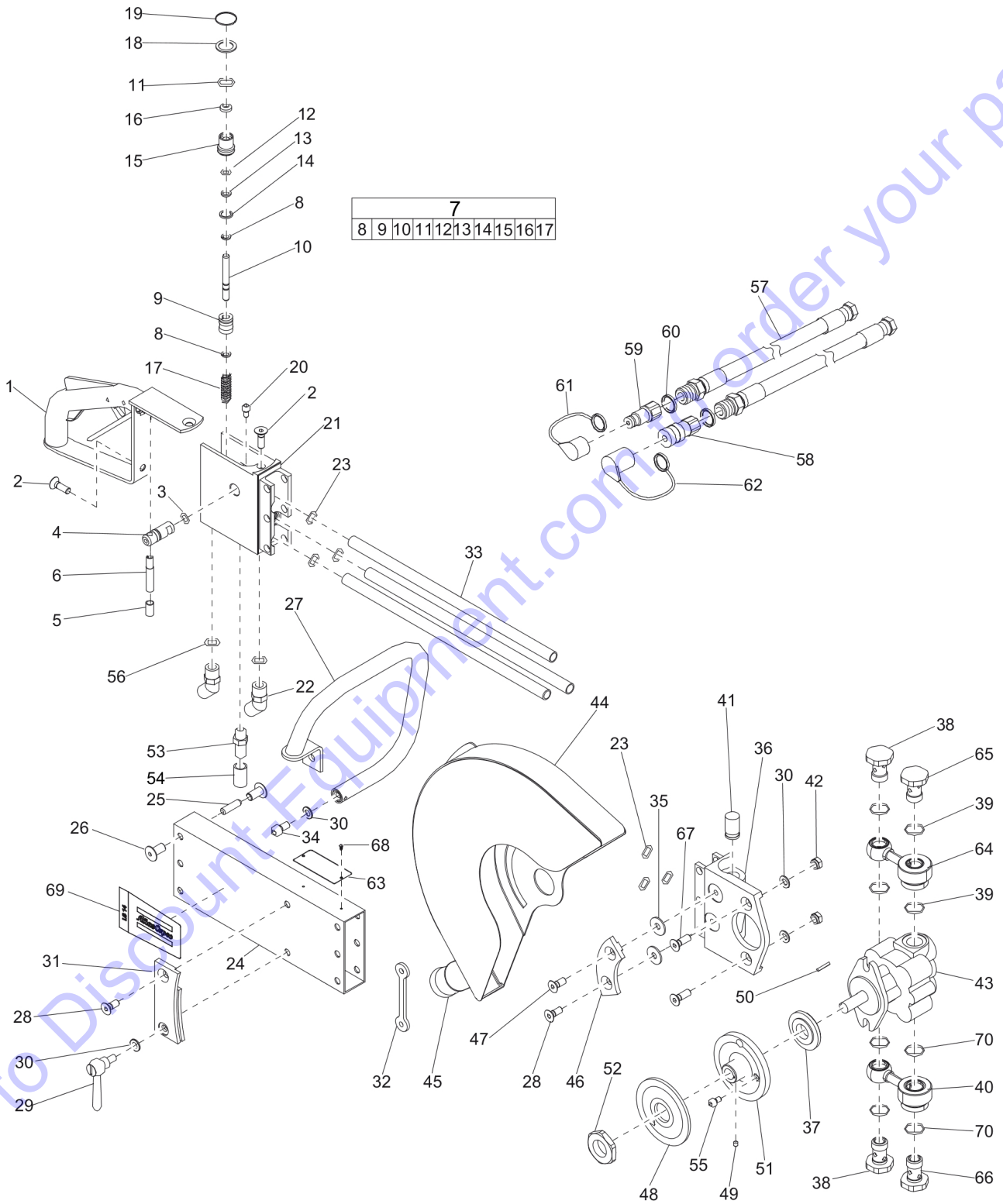
**Need parts?**

Click on this link: <http://www.discount-equipment.com/category/5443-parts/> and choose one of the options to help get the right parts and equipment you are looking for. Please have the machine model and serial number available in order to help us get you the correct parts. If you don't find the part on the website or on one of the online manuals, please fill out the request form and one of our experienced staff members will get back to you with a quote for the right part that your machine needs.

We sell worldwide for the brands: Genie, Terex, JLG, MultiQuip, Mikasa, Essick, Whiteman, Mayco, Toro Stone, Diamond Products, Generac Magnum, Airman, Haulotte, Barreto, Power Blanket, Nifty Lift, Atlas Copco, Chicago Pneumatic, Allmand, Miller Curber, Skyjack, Lull, Skytrak, Tsurumi, Husquvarna Target, Stow, Wacker, Sakai, Mi-T-M, Sullair, Basic, Dynapac, MBW, Weber, Bartell, Bennar Newman, Haulotte, Ditch Runner, Menegotti, Morrison, Contec, Buddy, Crown, Edco, Wyco, Bomag, Laymor, EZ Trench, Bil-Jax, F.S. Curtis, Gehl Pavers, Heli, Honda, ICS/PowerGrit, IHI, Partner, Imer, Clipper, MMD, Koshin, Rice, CH&E, General Equipment, Amida, Coleman, NAC, Gradall, Square Shooter, Kent, Stanley, Tamco, Toku, Hatz, Kohler, Robin, Wisconsin, Northrock, Oztec, Toker TK, Rol-Air, APT, Wylie, Ingersoll Rand / Doosan, Innovatech, Con X, Ammann, Mecalac, Makinex, Smith Surface Prep, Small Line, Wanco, Yanmar

LS 14	hhh_ac_ls_03560
LS 16	hhh_ac_ls_03561
Tightening torques	
Diamond discs	
Hoses and couplings	
Wrench HEX41	bes
Hydraulic hoses	Hydraulichoses
Diamond discs for 14 inch and 16 inch cut-off saw	Diamonddiscs
Hydraulic twin hoses	Hydraulictwinhoses_CP
Post puller	Postpuller_CP
Water kit for core drill and cut-off saw	Waterkit_CP
Cart for 14 inch and 16 inch cut-off saw	LSCcart_CP
Diamond core bits	Diamondcorebits_CP
Augers for handheld and rig-mounted posthole borer	Augersforhandheld
Seal kit, SAW 14	
Seal kit, SAW 16	
Seal kit MGG motor	
Water kit	
Cart kit	
Label kit, SAW 16	
Label kit, SAW 14	

Go to Discount-Equipment.com to order your parts

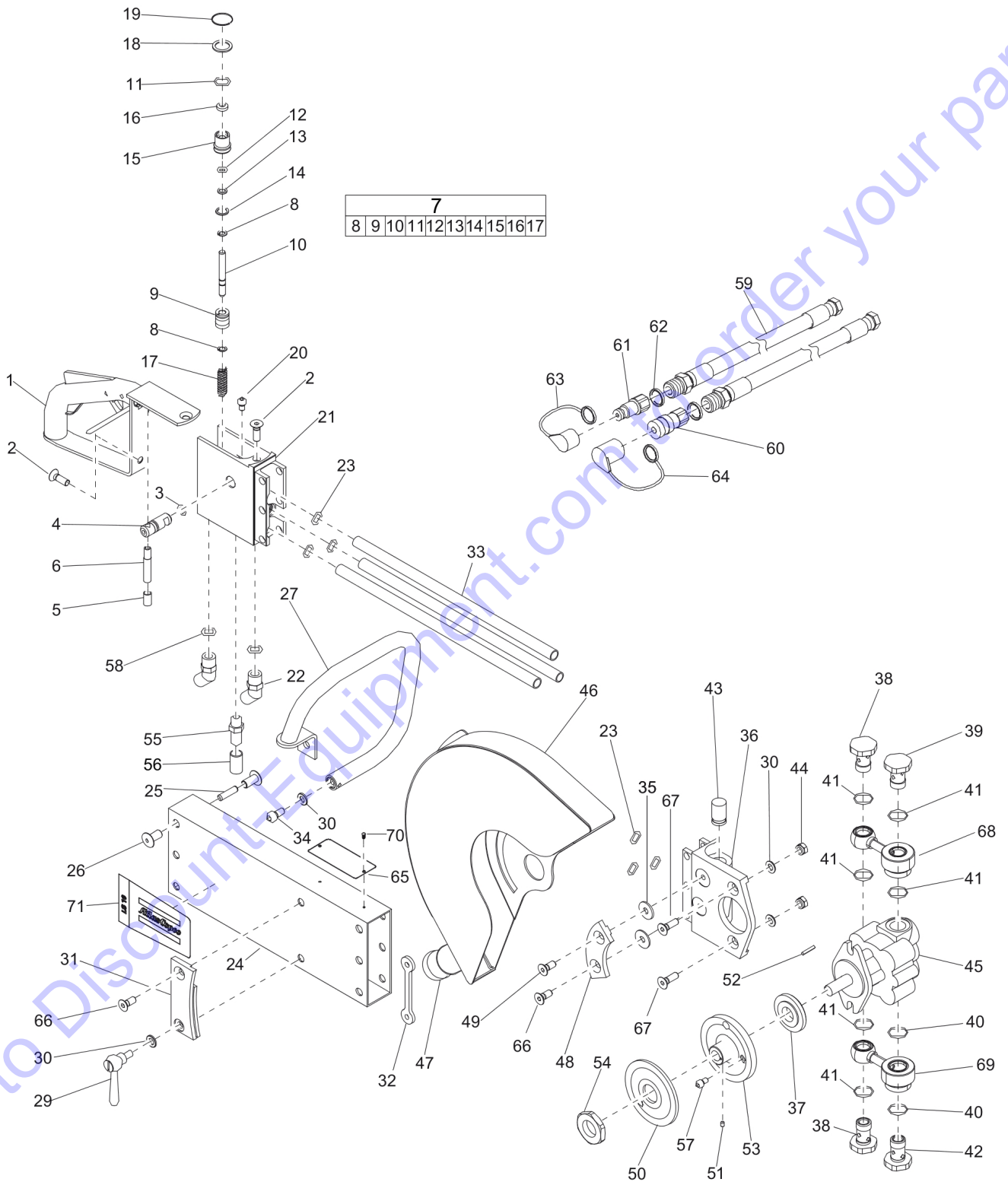




Id	Qty	Number	Name	Specifications
1	1	3371809003	GRIP COMPLETE	
2	4	3371809706	Screw M8x25	
3	1	3371809729	O-RING 11X2	
4	1	3371809105	WATER VALVE F/CUT-OFF SA	
5	1	3371817766	TIP 8 BLACK	
6	1	3371817767	ROLL PIN 8X50	
7	1	3371814058	TRIGGER COMPLETE	
8	2	0335351602	SNAP RING DIA8-DIA7.6	
9	1	3371814161	TRIGGER SPOOL	
9	1	3379000013	Trigger spool LS	
10	1	3371815166	TRIGGER ROD	
11	1	0663212300	O-RING	
12	1	3371814700	O-RING 8.3X2.4	
12	1	0663211500	O-ring 8.3x2.4 mm /0.33x0.09in	
13	1	3371814701	Back-up ring	
14	1	0335350152	SNAP RING DIA12-DIA12.4	
15	1	3371814120	PACKING GLAND	
16	1	3371805503	SEAL 8/14X3.5/5	
17	1	3371814163	spring f/trigger valve	
18	1	3371809700	BACK-UP WASHER	
19	1	3371809701	LOCKING RING SB 25	
20	1	3371817728	HEXAGONAL SCREW	
21	1	3371809126	VALVE BLOCK	
22	2	3371809730	Adaptor 12-06 45°	
23	6	3371818705	O-RING 14X2	
24	1	3371809119	Frame 14"	
25	6	3371809703	BUSHING M8X20	
26	12	0196132600	SET SCREW	
27	1	3371809027	Handle bow w/rubber	
28	3	0216195748	HEX. SOCK M8X20X8.8	
29	1	3371809711	CLAMP SCREW ASSY	
30	4	0301233500	WASHER-FLAT:M 8.40/16.0X1.5T	
31	1	3371809130	brake shoe	
32	1	3371809101	Plate f/fastening	
33	3	3371809145	HYDRAULIC TUBE 14X1.5	
34	1	0211132203	Hex sock. Screw	
35	2	0300027662	Washer ø8.4/24x2, nylon	
36	1	3371809117	Motor flange	
37	1	3371809122	Washer For motor flange	
38	4	3371809148	BANJO BOLT	
39	8	3371820706	O-RING 22X1.5	
40	2	3371809123	Banjo elbow 14"	
41	1	3371809732	CHECK VALVE	
42	2	0291111000	LOCKNUT:M8 W/NYL INS,ZN PL STL	
43	1	3371809248	Hydraulic motor	
44	1	3371809118	GUARD COMPLETE 14"	
45	1	3371809747	Tip ø38	
46	1	3371809107	retainer f/guard	

Id	Qty	Number	Name	Specifications
47	1	3371809156	Screw M8x20, finished	
48	1	3371809115	Washer For adaptor	
49	1	0196120200	SET SCREW M5X6-STEEL	
50	1	3371809731	PARALLEL KEY	
51	1	3371809116	ADAPTOR F/DISC	
52	1	3371809127	NUT F/ADAPTOR	
53	1	3371809746	HOSE CONNECTION 04	
54	1	3371809750	Tip ø13	
55	1	3371809712	Screw M6x6	
56	2	3371805109	O-Ring ø13.95x2.62	
57	2	3371809021	3/8" SINGLE HOSE	
58	1	3371805137	Q.R. coupling 06 female	
59	1	3371805138	Q.R. coupling 06 male	
60	2	0661100040	SEALING WASHER 17.28X23.8	
61	1	3371805728	PROTECTIVE CAP 3/8" MALE	
62	1	3371805727	PROTECTIVE CAP 3/8" FEMA	
63	1		Data plate (Not available separately)	

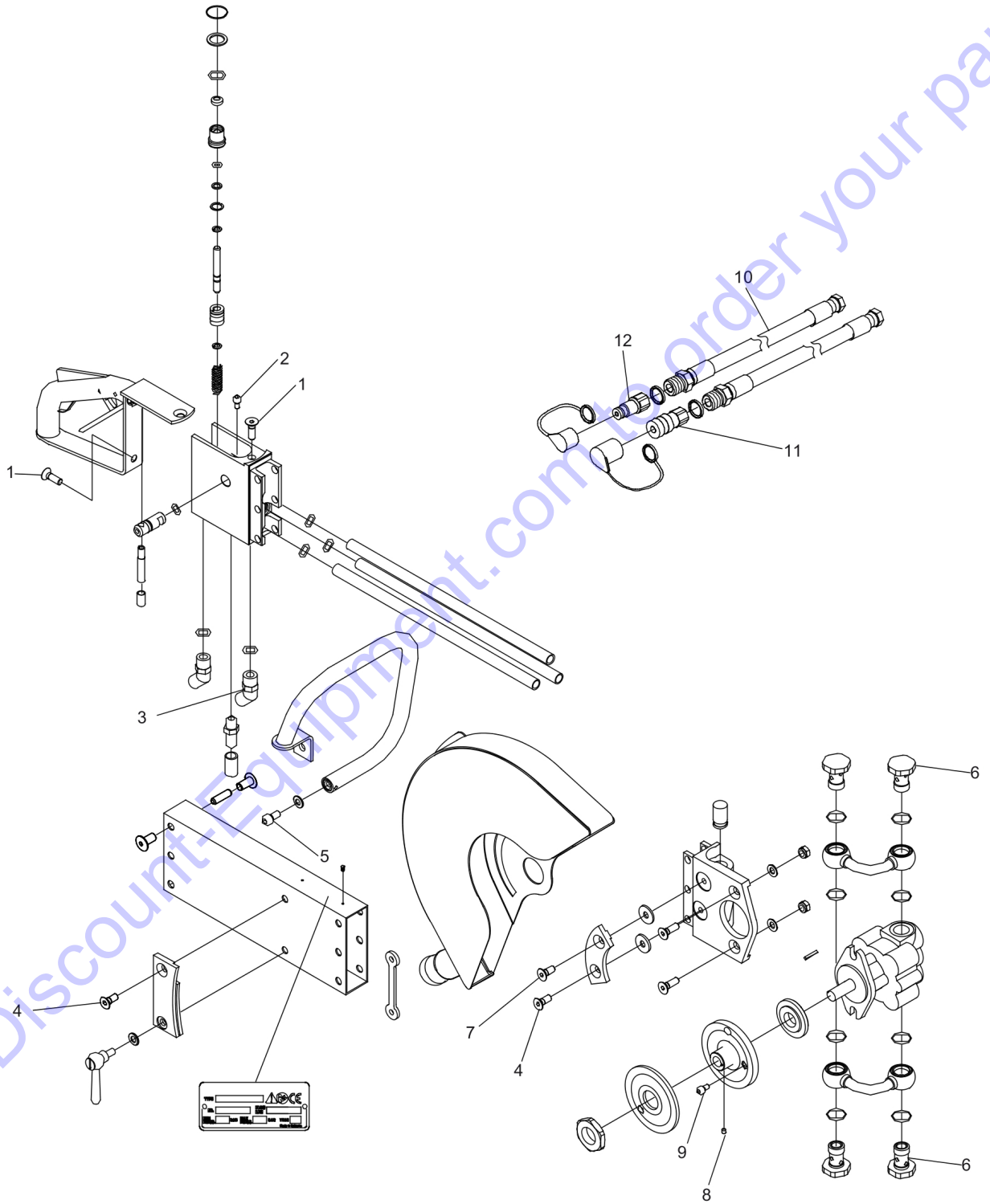
Go to Discount-Equipment.com to order your parts



Id	Qty	Number	Name	Specifications
1	1	3371809003	GRIP COMPLETE	
2	4	3371809706	Screw M8x25	
3	1	3371809729	O-RING 11X2	
4	1	3371809105	WATER VALVE F/CUT-OFF SA	
5	1	3371817766	TIP 8 BLACK	
6	1	3371817767	ROLL PIN 8X50	
7	1	3371814058	TRIGGER COMPLETE	
8	2	0335351602	SNAP RING DIA8-DIA7.6	
9	1	3371814161	TRIGGER SPOOL	
9	1	3379000013	Trigger spool LS	
10	1	3371815166	TRIGGER ROD	
11	1	0663212300	O-RING	
12	1	3371814700	O-RING 8.3X2.4	
13	1	3371814701	Back-up ring	
14	1	0335350152	SNAP RING DIA12-DIA12.4	
15	1	3371814120	PACKING GLAND	
16	1	3371805503	SEAL 8/14X3.5/5	
17	1	3371814163	spring f/trigger valve	
18	1	3371809700	BACK-UP WASHER	
19	1	3371809701	LOCKING RING SB 25	
20	1	3371817728	HEXAGONAL SCREW	
21	1	3371809126	VALVE BLOCK	
22	2	3371809730	Adaptor 12-06 45°	
23	6	3371818705	O-RING 14X2	
24	1	3371809160	Frame 16"	
25	6	3371809703	BUSHING M8X20	
26	12	0196132600	SET SCREW	
27	1	3371809027	Handle bow w/rubber	
28	3	3371809705	Screw M8x20	
29	1	3371809711	CLAMP SCREW ASSY	
30	4	0301233500	WASHER-FLAT:M 8.40/16.0X1.5T	
31	1	3371809130	brake shoe	
32	1	3371809101	Plate f/fastening	
33	3	3371809161	Hydraulic tube ø14x1.5	
34	1	0211132203	Hex sock. Screw	
35	2	0300027662	Washer ø8.4/24x2, nylon	
36	1	3371809117	Motor flange	
37	1	3371809122	Washer For motor flange	
38	2	3371809148	BANJO BOLT	
39	2	3371809165	BANJO BOLT 16"	
40	4	3371820706	O-RING 22X1.5	
41	4	3371814748	O-RING 25X1.5	
42	2	3371809163	BANJO ELBOW 16"	
43	1	3371809732	CHECK VALVE	
44	2	0291111000	LOCKNUT:M8 W/NYL INS,ZN PL STL	
45	1	3371809249	HYDRAULIC MOTOR	
46	1	3371809141	GUARD COMPLETE 16"	
47	1	3371809747	Tip ø38	

Id	Qty	Number	Name	Specifications
48	1	3371809107	retainer f/guard	
49	1	3371809156	Screw M8x20, finished	
50	1	3371809115	Washer For adaptor	
51	1	0196120200	SET SCREW M5X6-STEEL	
52	1	3371809731	PARALLEL KEY	
53	1	3371809116	ADAPTOR F/DISC	
54	1	3371809127	NUT F/ADAPTOR	
55	1	3371809746	HOSE CONNECTION 04	
56	1	3371809750	Tip ø13	
57	1	3371809712	Screw M6x6	
58	2	3371805109	O-Ring ø13.95x2.62	
59	2	3371809021	3/8" SINGLE HOSE	
60	1	3371805137	Q.R. coupling 06 female	
61	1	3371805138	Q.R. coupling 06 male	
62	2	0661100040	SEALING WASHER 17.28X23.8	
63	1	3371805728	PROTECTIVE CAP 3/8" MALE	
64	1	3371805727	PROTECTIVE CAP 3/8" FEMA	
65	1		Data plate (Not available separately)	

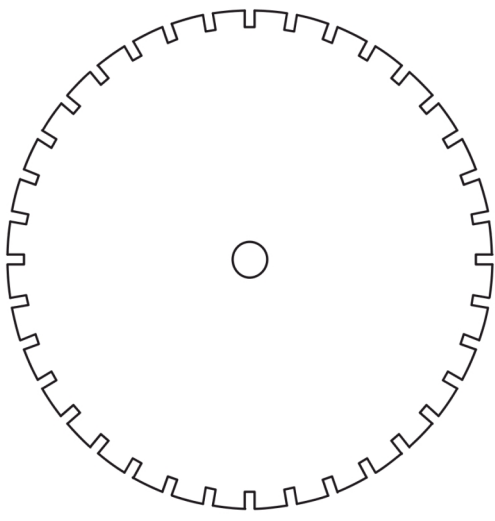
Go to Discount-Equipment.com to order your parts



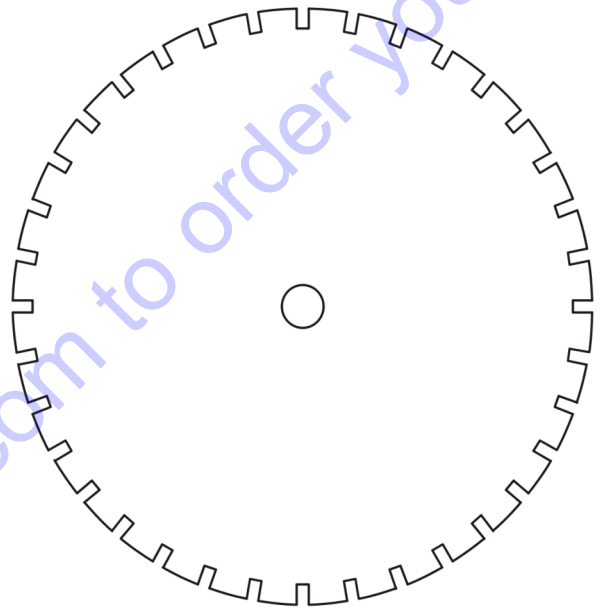
<b>Id</b>	<b>Qty</b>	<b>Number</b>	<b>Name</b>	<b>Specifications</b>
1		0216195761	HEX. CSUNK SCREW	
2		0211124300	HEX. SOCK M6X10-12.9	
3		0317665530	Nipple, 3/8 in. BSP x 3/4 in. UNF 45° elbow	
4		0216195748	HEX. SOCK M8X20X8.8	
5		0211132203	Hex sock. Screw	
6		3371819246	Banjo bolt, 3/4 in. UNF	
7		3371809156	Screw M8x20, finished	
8		0196120100	Screw M5 x 5 mm	
9		3371809712	Screw M6x6	
10		3371809021	3/8" SINGLE HOSE	
11		3371805137	Q.R. coupling 06 female	
12		3371805138	Q.R. coupling 06 male	

Go to Discount-Equipment.com to order your parts

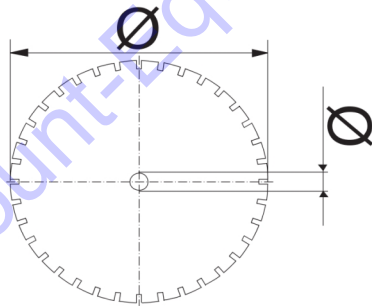




1



2



<b>Id</b>	<b>Qty</b>	<b>Number</b>	<b>Name</b>	<b>Specifications</b>
1		3378005057	DIAMOND DISC 14" CONCRET	
1		3378005058	DIAMOND DISC 14" ASPHALT	
2		3371809727	DIAMOND DISC 16" CONCRET	
2		3371809726	DIAMOND DISC 16" ASPHALT	

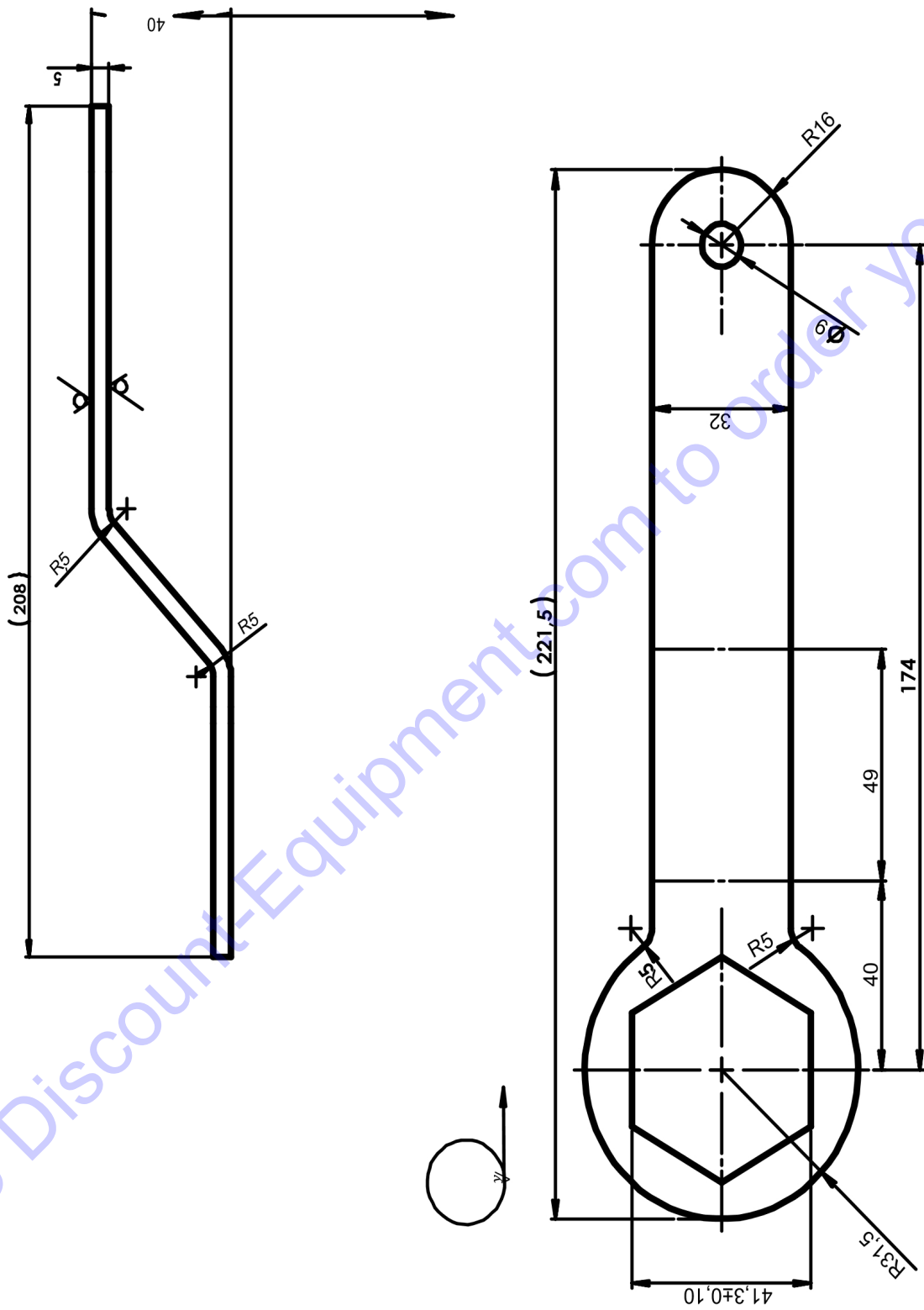
Go to Discount-Equipment.com to order your parts

NO EXPLODED VIEW  
AVAILABLE  
FOR THIS BOM

Go to Discount-Equipment.com to order your parts

Id	Qty	Number	Name	Specifications
	1	3371801083	0.4 m tail-hose set	
	2	3371803050	0.4 m 1/2" hose	
	1	3371801087	7 m Twin extension hose	
	4	0661100039	WASHER-SEAL:21.54X28.58X2.47	
	2	3371805133	Q.R. coupling 08 female	
	2	3371805134	Q.R. coupling 08 male	
	2	3371805733	PROTECTIVE CAP 1/2" FEMA	
	2	3371805732	PROTECTIVE CAP 1/2" MALE	
	1	3371803052	7 m 1/2" hose	
	1	3371801190	1.6 M TAIL-HOSE SET	
	2	3371803064	1.6 M 1/2" HOSE	
	1	3371802115	LABEL	
	1	3371801090	Extension hose 3/8" Twin	
	1	3371803054	Twin hose, Ø 3/8 in. L = 16.4 ft, Ø 9.5 mm L = 5 m	
	1	3371801089	12 m Twin extension hose	
	1	3371803053	12 m 1/2" hose	

Go to Discount-Equipment.com to order your parts

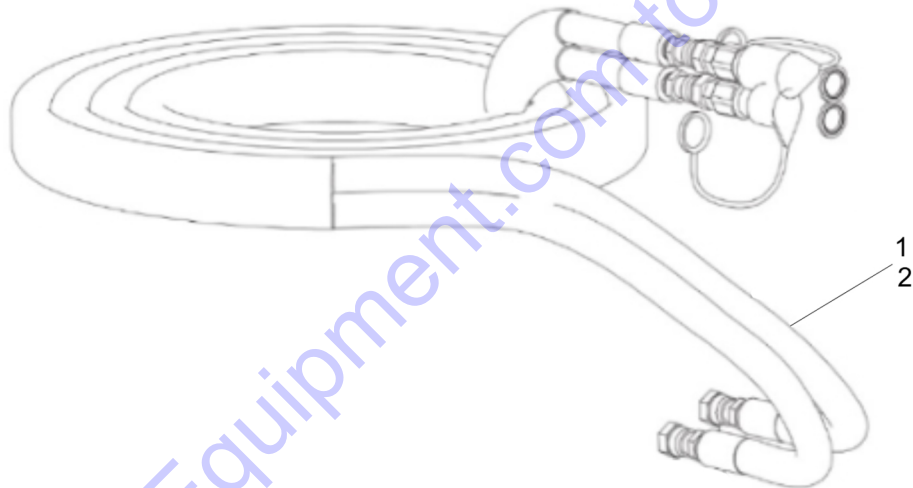


Id	Qty	Number	Name	Specifications
		3371809600	Wrench HEX 41, completion	

Go to Discount-Equipment.com to order your parts

Description	Length		Diameter		Weight	Comments	Part number
	m	ft	mm	in	kg <sup>1)</sup>		
Hydraulic twin-extension hose	7.0	23	12.5	½	8.3	Incl. ½ inch Flat-Face quick-release couplings	1 3371 8010 87
	12.0	39	12.5	½	13.3	Incl. ½ inch Flat-Face quick-release couplings	13371 8010 89
	7.0	23	12.5	½	8.0	Incl. ½ inch BSP female connection for direct mounting	13371 8010 82
Double connection hoses	1.6	5	12.5	½	1.7	-	2 3371 8011 90



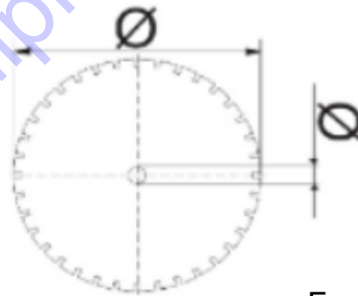
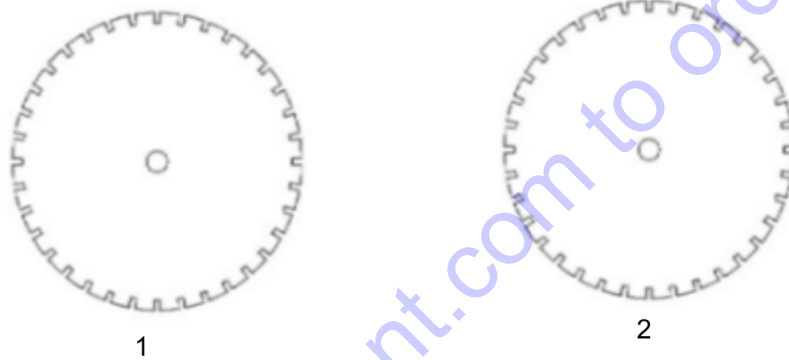


For tech. details check next page

<b>Id</b>	<b>Qty</b>	<b>Number</b>	<b>Name</b>	<b>Specifications</b>
1	1	3371801087	7 m Twin extension hose	
1	1	3371801089	12 m Twin extension hose	
1	1	3371801082	7 m Twin hose	
2	1	3371801190	1.6 M TAIL-HOSE SET	

Go to Discount-Equipment.com to order your parts

Description	Blade size		Arbor hole diameter		Weight	Comments	Part number
	m	ft	mm	in	kg <sup>1)</sup>		
Concrete diamond disc	335	14	25.1	1	1.6	For wet and dry cutting. Cutting concrete and concrete reinforcement	1 3378 0050 57
	405	16	25.1	1	2.3	For wet and dry cutting. Cutting concrete and concrete reinforcement	1 3371 8097 27
Asphalt diamond disc	335	14	25.1	1	1.6	For wet and dry cutting. Cutting asphalt	2 3378 0050 58
	405	16	25.1	1	2.6	For wet and dry cutting. Cutting asphalt	2 3371 8097 26

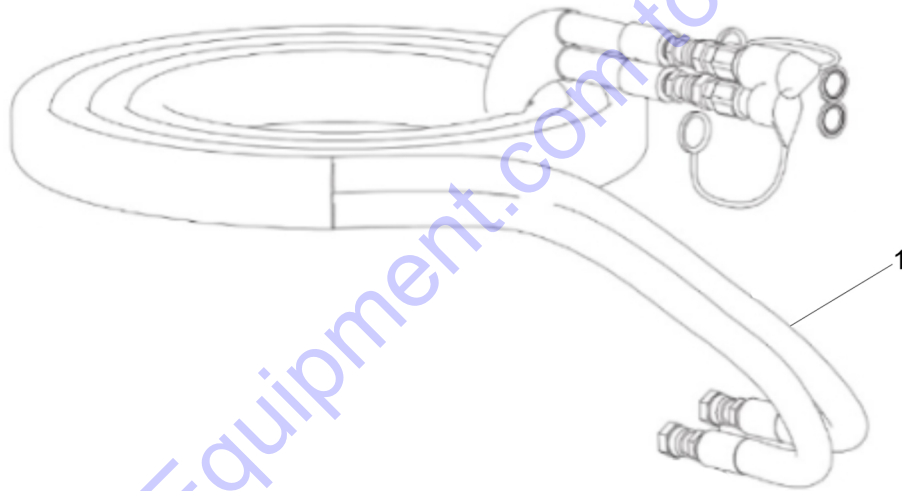


For tech. details check next page

Id	Qty	Number	Name	Specifications
1	1	3378005057	DIAMOND DISC 14" CONCRET	
1	1	3371809727	DIAMOND DISC 16" CONCRET	
2	1	3378005058	DIAMOND DISC 14" ASPHALT	
2	1	3371809726	DIAMOND DISC 16" ASPHALT	

Go to Discount-Equipment.com to order your parts

Description	Length	Diameter	Weight	Comments	Part number
	ft	in	lbs		
Hydraulic twin-extension hose	30	½	22	½" pressure and ¾" return hose with ½" flat-face quick release couplings	9246 0204 98
Hydraulic twin-extension hose	50	½	37		9246 0204 99
Hydraulic twin-extension hose	15	½ & ¾	12	½" pressure and ¾" return hose with ½" flat-face male and female quick release couplings connect to Chicago Pneumatic handheld hydraulic units and the ¾" male and female flat faced couplings connects to PTO	9246 0205 02
Hydraulic twin-extension hose	30	½ & ¾	24		9246 0205 03
Hydraulic twin-extension hose	50	½ & ¾	37		9246 0205 04



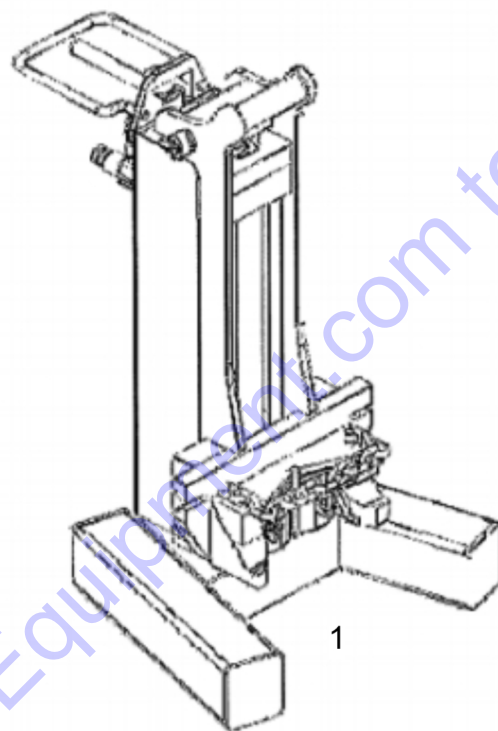
For tech. details check next page



Id	Qty	Number	Name	Specifications
1	1	9246020498	Hydraulic twin-extension hose	
1	1	9247020499	Hydraulic twin-extension hose	
1	1	9246020502	Hydraulic twin-extension hose	
1	1	9246020503	HYD HOSE ASSY 30'X1/2"X3	
1	1	9246020504	Hydraulic twin-extension hose	

Go to Discount-Equipment.com to order your parts

Description	Weight	Comments	Part number
	kg <sup>1)</sup>		
LPP 10 HD Lever kit	10	Boost the pulling force by an extra 4 tons	1 3371 8101 48



For tech. details check next page

Id	Qty	Number	Name	Specifications

Go to Discount-Equipment.com to order your parts

Description	Size (W x H x D)		Water volume		Weight	Comments	Part number
	mm	in	l	gal	kg <sup>1)</sup>		
Water kit with pressure tank	220 x 620 x 250	9 x 24 x 10	10	2.6	8	Water supply for LCD core-drill and LS cut-off saw	1 3371 8090 02



1

For tech. details check next page

Id	Qty	Number	Name	Specifications

Go to [Discount-Equipment.com](https://Discount-Equipment.com) to order your parts



Description	Weight	Comments	Part number
	kg <sup>1)</sup>		
LSC cart for cut-off saw	25	incl. water kit	1 1809 0010 01



1

For tech. details check next page

Id	Qty	Number	Name	Specifications

Go to Discount-Equipment.com to order your parts

Description	Core bit size	Length	Weight	Comments	Part number
	in	in	lbs		
Diamond core bit	Ø 2 7/16	18	3.74	Concrete, reinforced concrete and brickwork	3378 0050 61
Diamond core bit	Ø 3 1/4	18	5.28	Concrete, reinforced concrete and brickwork	3378 0050 62
Diamond core bit	Ø 4	18	7.04	Concrete, reinforced concrete and brickwork	3378 0050 63
Diamond core bit	Ø 4 3/8	18	8.14	Concrete, reinforced concrete and brickwork	3378 0050 64
Diamond core bit	Ø 5 1/4	18	10.12	Concrete, reinforced concrete and brickwork	3378 0050 65
Diamond core bit	Ø 6	18	13.2	Concrete, reinforced concrete and brickwork	3378 0050 66
Diamond core bit	Ø 6 3/8	18	13.86	Concrete, reinforced concrete and brickwork	3378 0050 67
Diamond core bit	Ø 8	18	21.78	Concrete, reinforced concrete and brickwork	3378 0050 68



1

SR Number	Parts number	Description	core bit size		Length		Weight kg
			mm	in	mm	in	
1	3378005061	Diamond core bit	∅ 62	∅ 27/16	450	18	1.7
1	3378005062	Diamond core bit	∅ 82	∅ 3 1/4	450	18	2.4
1	3378005063	Diamond core bit	∅ 102	∅ 4	450	18	3.2
1	3378005064	Diamond core bit	∅ 112	∅ 4 3/8	450	18	3.7
1	3378005065	Diamond core bit	∅ 132	∅ 5 1/4	450	18	4.6
1	3378005066	Diamond core bit	∅ 152	∅ 6	450	18	6
1	3378005067	Diamond core bit	∅ 162	∅ 6 3/8	450	18	6.3
1	3378005068	Diamond core bit	∅ 200	∅ 8	450	18	9.9

For tech. details check next page

Id	Qty	Number	Name	Specifications
1	1	3378005061	DIAMOND CORE BIT 62	
1	1	3378005062	DIAMOND CORE BIT 82	
1	1	3378005063	DIAMOND CORE BIT 102	
1	1	3378005064	DIAMOND CORE BIT 112	
1	1	3378005065	DIAMOND CORE BIT 132	
1	1	3378005066	DIAMOND CORE BIT 152	
1	1	3378005067	DIAMOND CORE BIT 162	
1	1	3378005068	DIAMOND CORE BIT 200	

Go to Discount-Equipment.com to order your parts

Description	Auger size		Length		Weight	Part number
	mm	in	mm	in	kg <sup>1)</sup>	
Auger	Ø 90	Ø 3 ½	870	34	7.0	1 3378 0050 45
	Ø 150	Ø 6	870	34	8.9	1 3378 0050 46
	Ø 200	Ø 8	870	34	10.5	1 3378 0050 44
	Ø 250	Ø 10	870	34	15.0	1 3378 0050 47
	Ø 280	Ø 11	870	34	17.2	1 3378 0050 49
	Ø 350	Ø 14	870	34	21.0	1 3378 0050 48
Bit incl. bolts	Ø 90	Ø 3 ½	-	-	0.2	2 3378 0999 28
	Ø 150	Ø 6	-	-	0.2	2 3378 0999 30
	Ø 200	Ø 8	-	-	0.3	2 3378 0999 31
	Ø 250	Ø 10	-	-	0.3	2 3378 0999 32
	Ø 280	Ø 11	-	-	0.4	2 3378 0999 33
	Ø 350	Ø 14	-	-	0.4	2 3378 0999 34
Extension rod	-	-	500	20	5.0	3 3378 0050 55
Tip for posthole borer universal	-	-	-	-	0.4	4 3378 0999 36



1



2



3



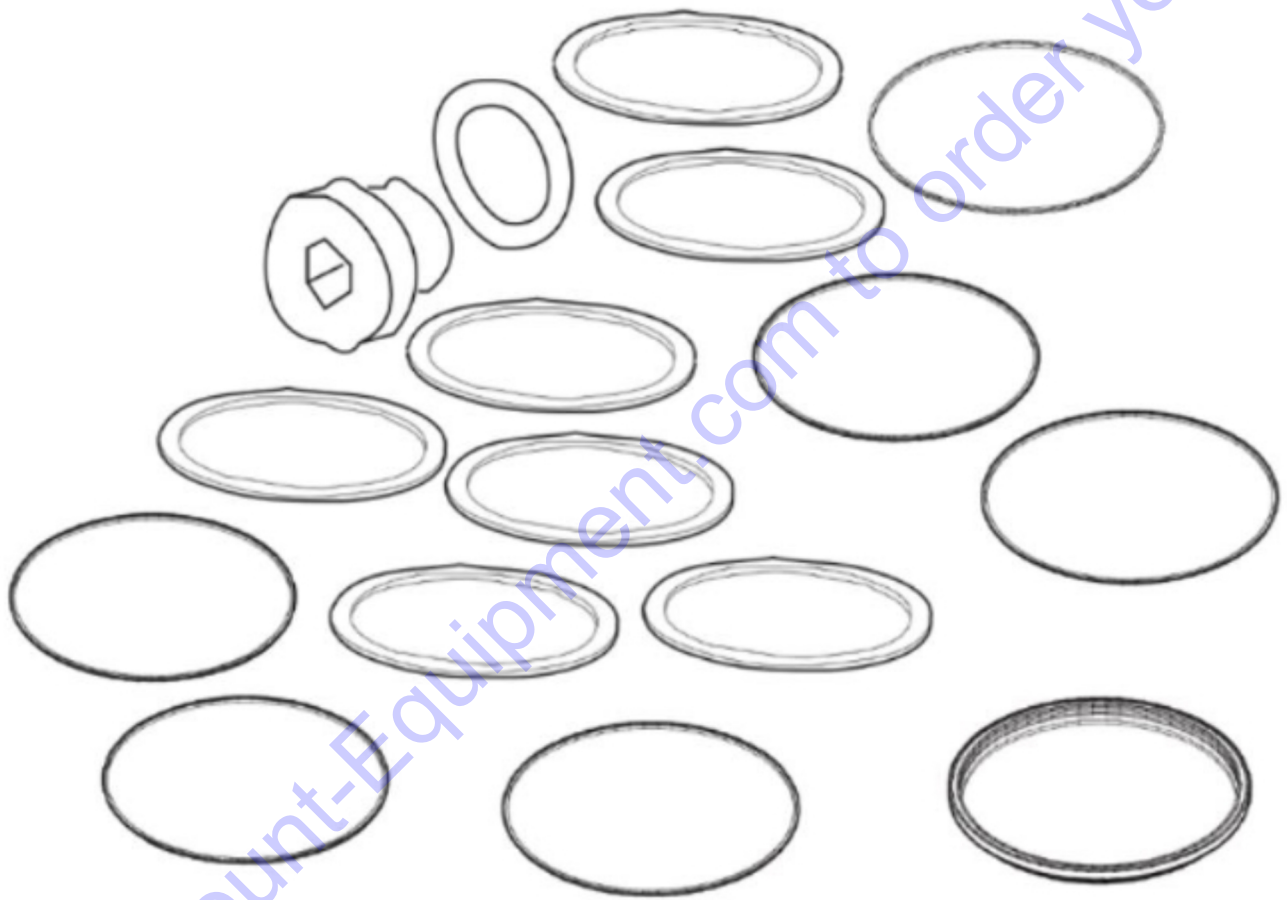
4

For tech. details check next page



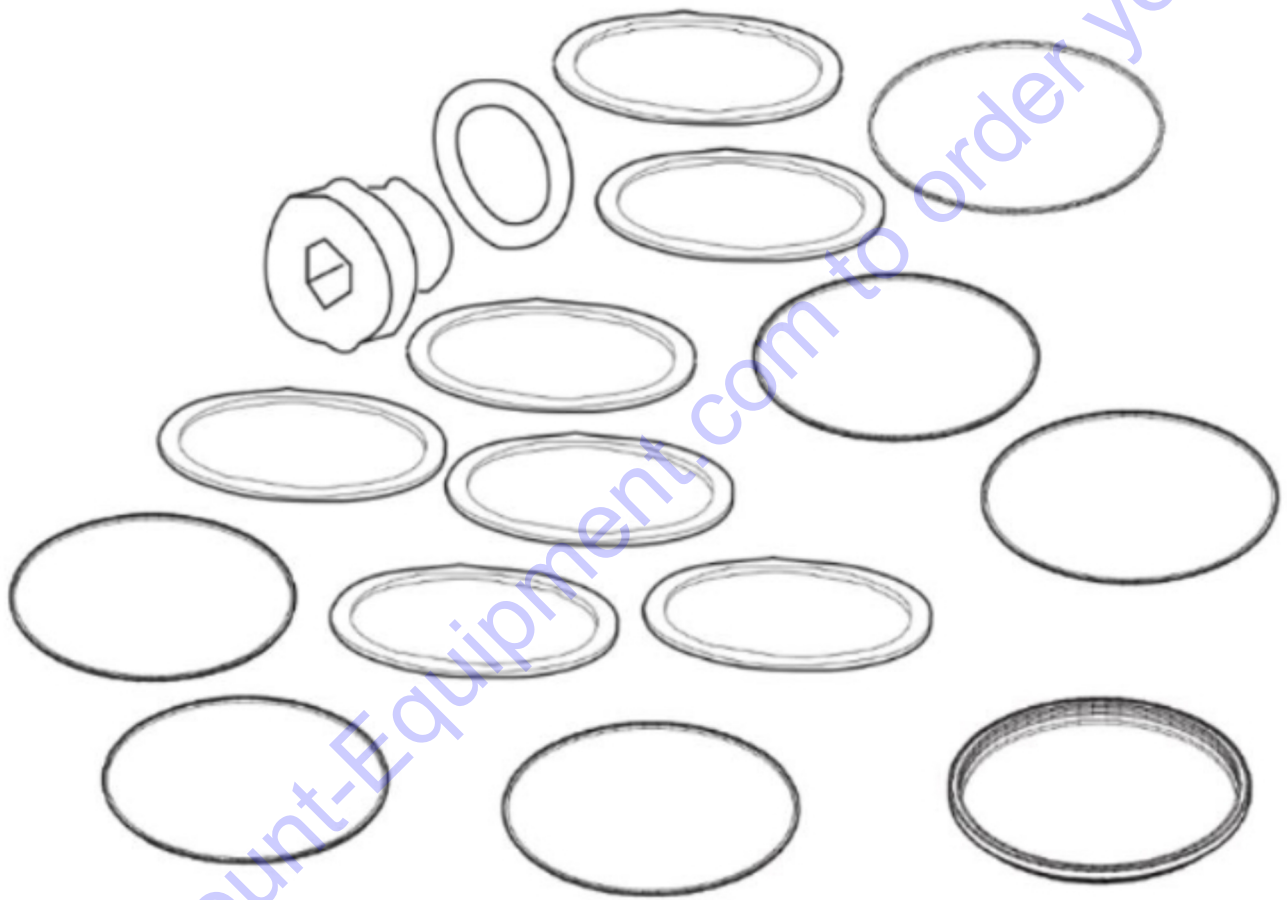
Id	Qty	Number	Name	Specifications
1	1	3378005045	AUGER 90X870	
1	1	3378005046	AUGER 150X870	
1	1	3378005044	AUGER 200X870	
1	1	3378005047	AUGER 250X870	
1	1	3378005049	AUGER 280X870	
1	1	3378005048	AUGER 350X870	
2	1	3378099928	BIT 90 INCL. BOLTS	
2	1	3378099930	BIT 150 INCL. BOLTS	
2	1	3378099931	BIT 200 INCL. BOLTS	
2	1	3378099932	BIT 250 INCL. BOLTS	
2	1	3378099933	BIT 280 INCL. BOLTS	
2	1	3378099934	BIT 350 INCL. BOLTS	
3	1	3378005055	EXTENSION ROD 0.5 M	
4	1	3378099936	AUGER TIP (REPLACEMENT)	

Go to Discount-Equipment.com to order your parts



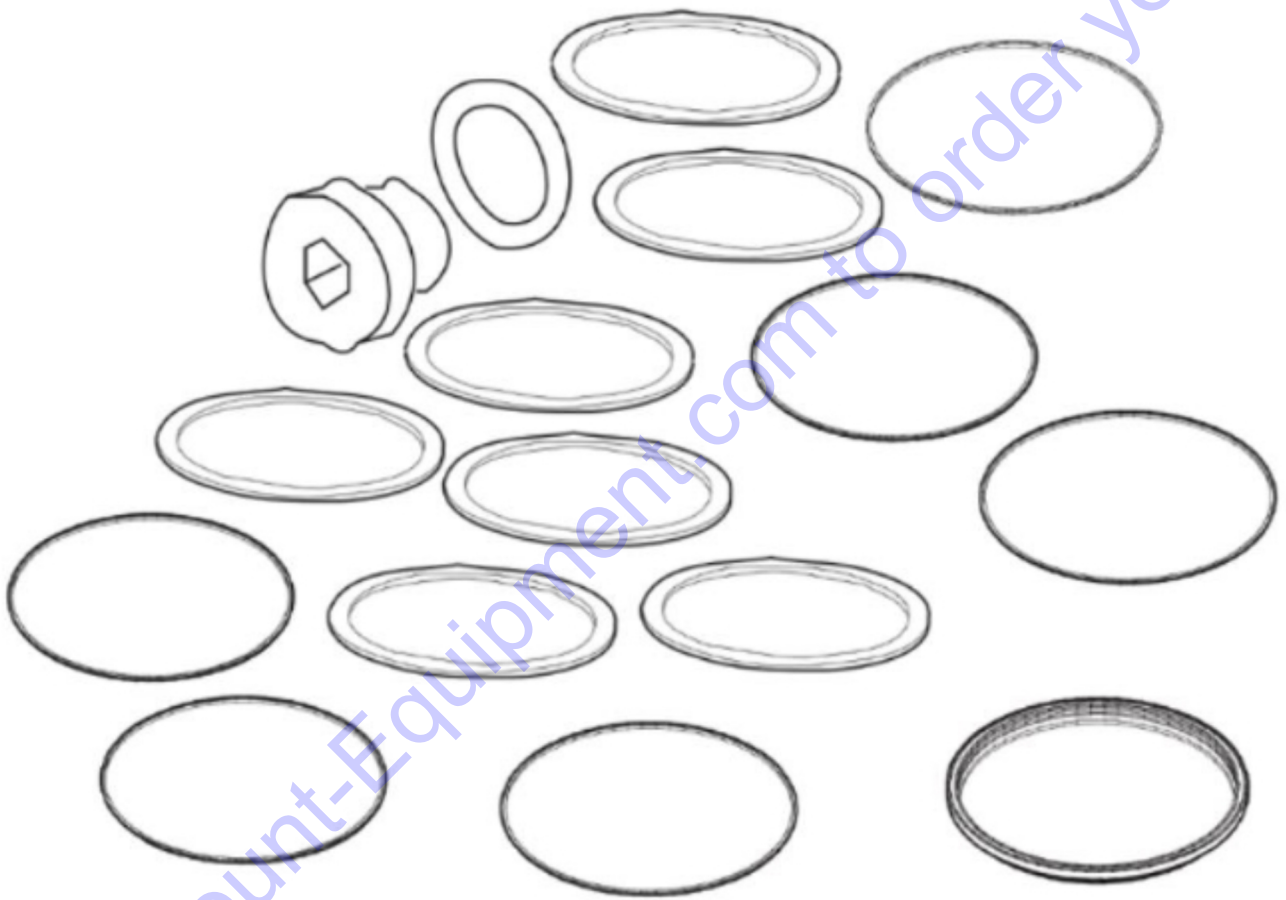
Id	Qty	Number	Name	Specifications
1		3371809010	SEAL KIT	
1		3371809729	O-RING 11X2	
2		0335351602	SNAP RING DIA8-DIA7.6	
1		0663212300	O-RING	
1		3371814700	O-RING 8.3X2.4	
1		3371814701	Back-up ring	
1		0335350152	SNAP RING DIA12-DIA12.4	
1		3371805503	SEAL 8/14X3.5/5	
1		3371809700	BACK-UP WASHER	
1		3371809701	LOCKING RING SB 25	
6		3371818705	O-RING 14X2	
8		3371820706	O-RING 22X1.5	
2		3371805109	O-Ring $\varnothing$ 13.95x2.62	
1		3378099907	SEAL KIT	

Go to Discount-Equipment.com to order your parts



Id	Qty	Number	Name	Specifications
1		3371809011	SEAL KIT	
1		3371809729	O-RING 11X2	
2		0335351602	SNAP RING DIA8-DIA7.6	
1		0663212300	O-RING	
1		3371814700	O-RING 8.3X2.4	
1		3371814701	Back-up ring	
1		0335350152	SNAP RING DIA12-DIA12.4	
1		3371805503	SEAL 8/14X3.5/5	
1		3371809700	BACK-UP WASHER	
1		3371809701	LOCKING RING SB 25	
6		3371818705	O-RING 14X2	
4		3371820706	O-RING 22X1.5	
4		3371814748	O-RING 25X1.5	
2		3371805109	O-Ring $\varnothing$ 13.95x2.62	
1		3378099907	SEAL KIT	

Go to Discount-Equipment.com to order your parts



Id	Qty	Number	Name	Specifications

Go to [Discount-Equipment.com](https://Discount-Equipment.com) to order your parts

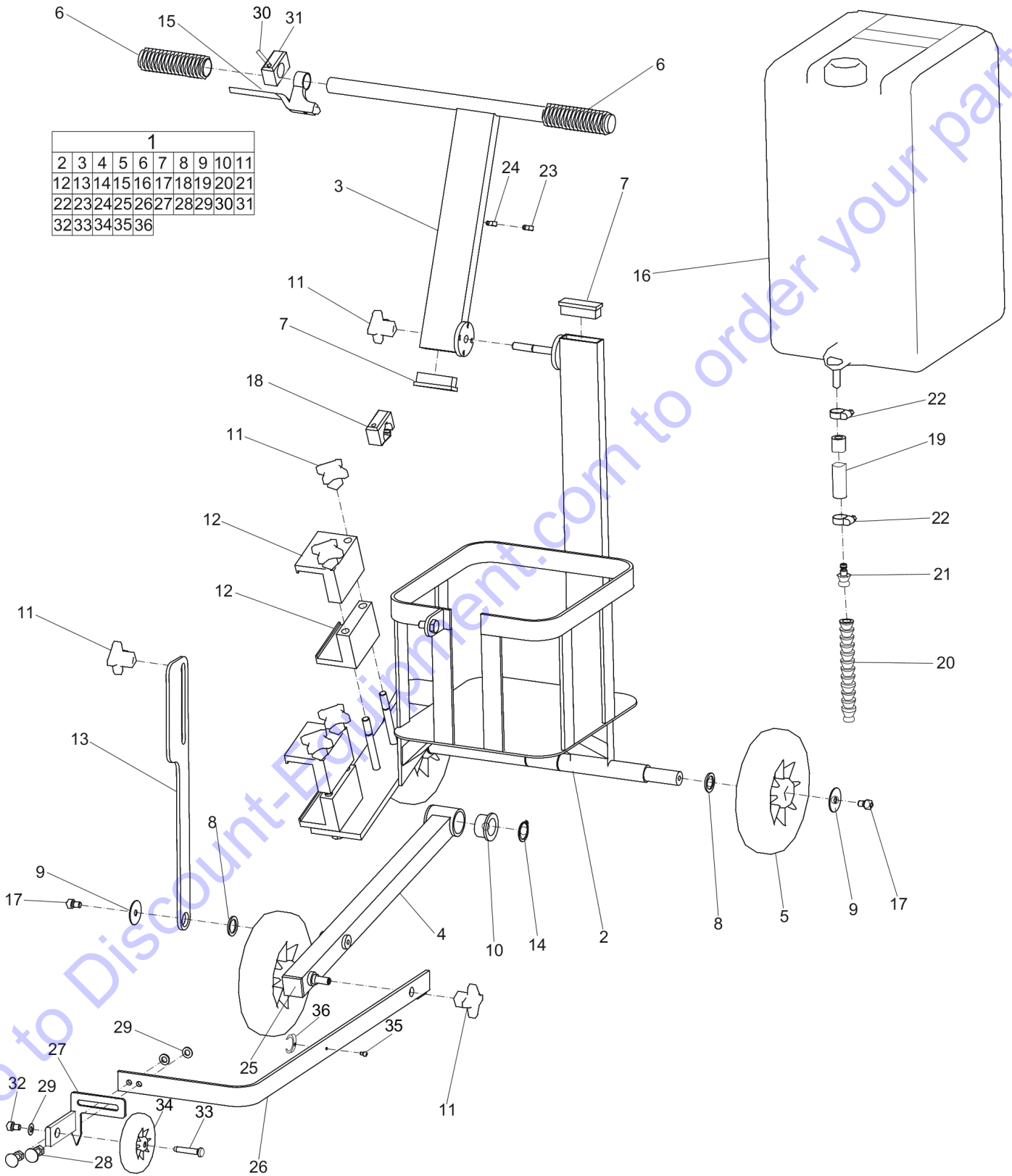
NO EXPLODED VIEW  
AVAILABLE  
FOR THIS BOM

Go to Discount-Equipment.com to order your parts

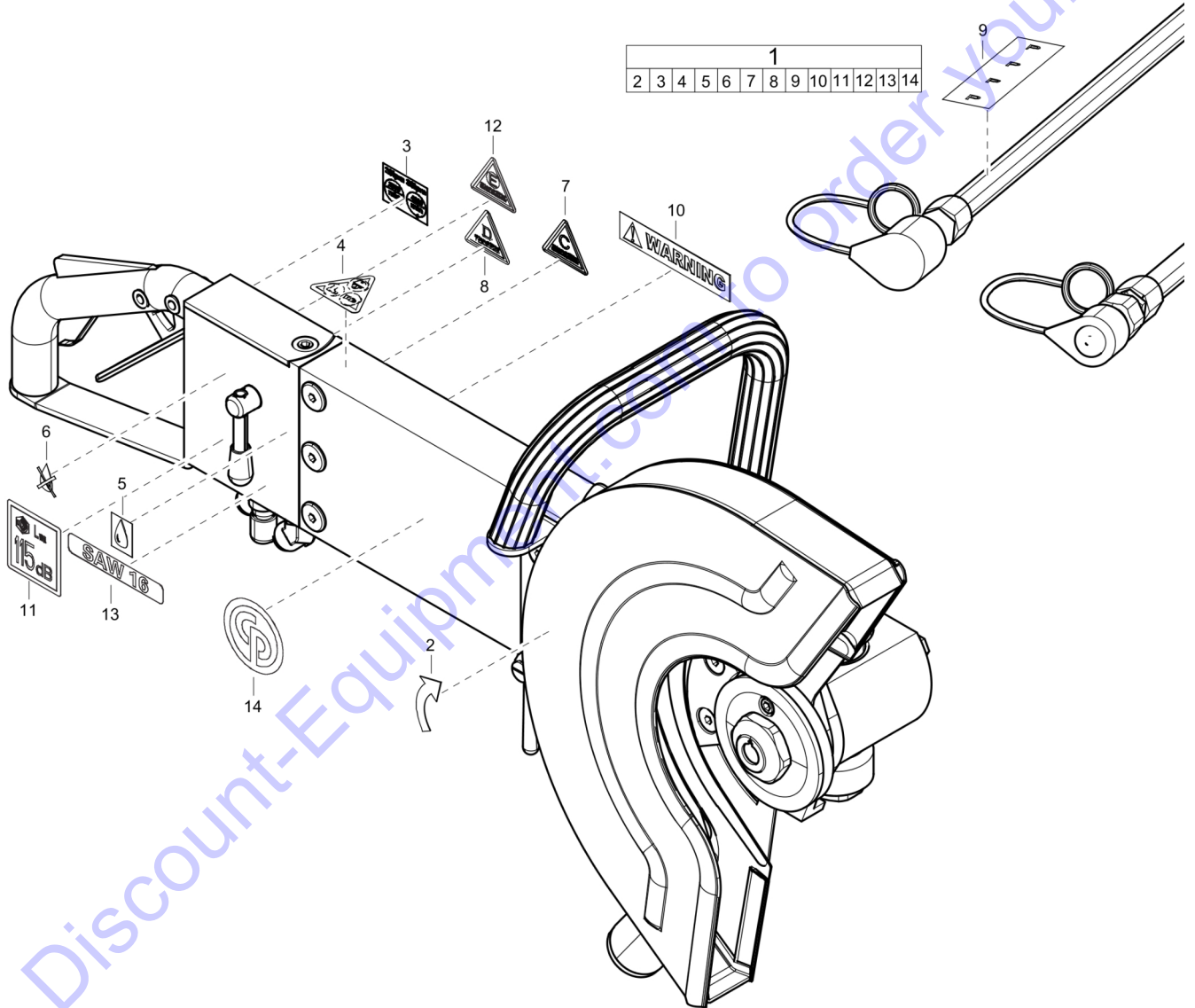


Id	Qty	Number	Name	Specifications

Go to [Discount-Equipment.com](https://Discount-Equipment.com) to order your parts



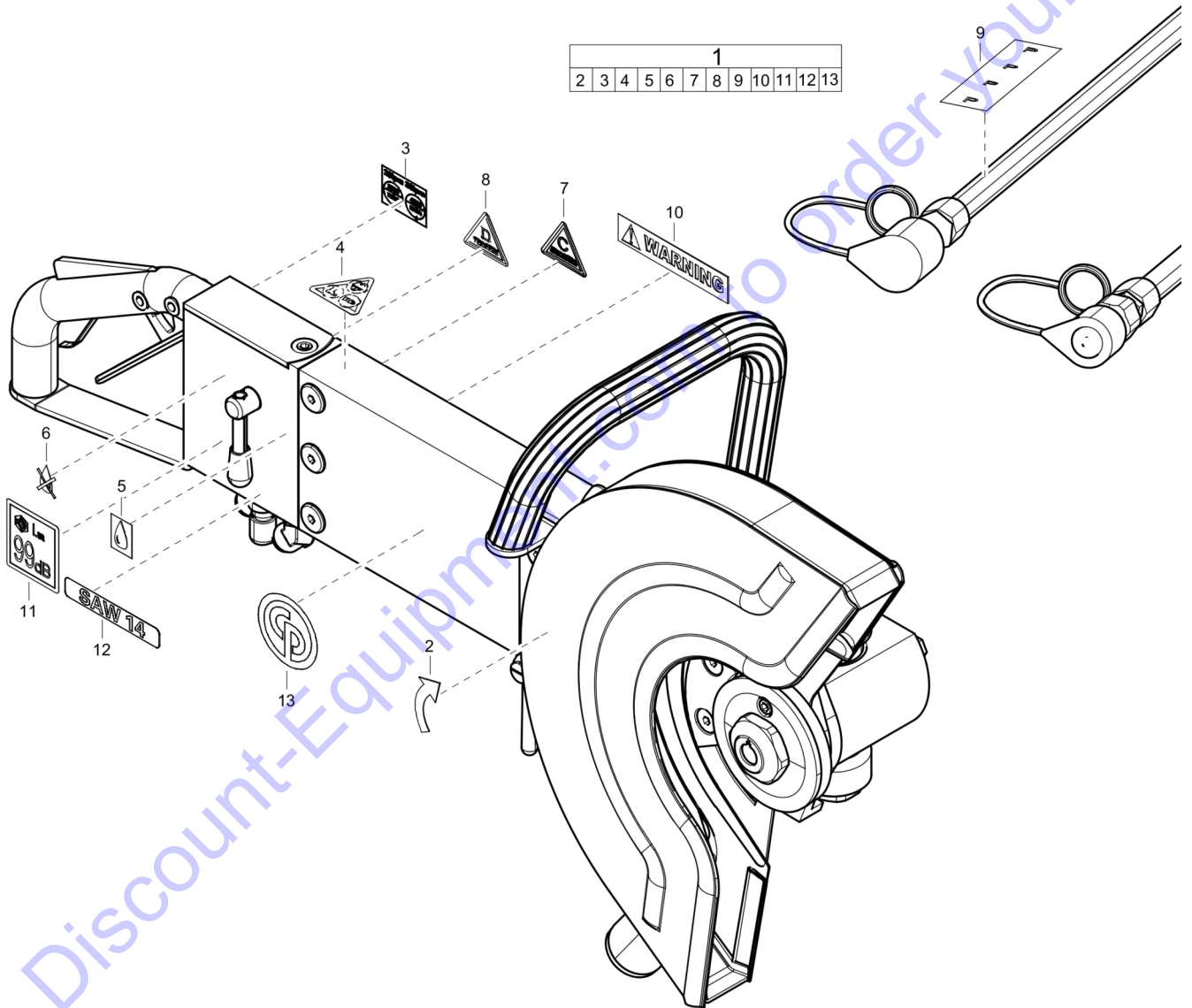
<b>Id</b>	<b>Qty</b>	<b>Number</b>	<b>Name</b>	<b>Specifications</b>
2	1	3371809023	Cart	
3	1	3371809025	Handle f/cart	
4	1	3371809024	Arm f/cart	
5	3	3371809717	WHEEL 180	
6	2	3377005307	Handle	
7	2	3371809713	Tip 6020	
8	4	3371809714	Washer ø20/28x1	
9	4	3371809715	WASHER 5/16"X35X1.25	
10	2	3371809716	Nylon bushing RI 5070	
11	7	3371809718	CROSS GRIP M10	
12	4	3371809208	Clip	
13	1	3371809229	Adjusting arm w/ruler	
14	2	3371809720	Locking ring ø25x1.2	
15	1	3371809721	Trigger f/saw	
16	1	3371809722	WATER TANK	
17	4	3378302516	Screw M8x10	
18	1	3371809005	CABLE COMPLETE	
19	1	3371809240	HOSE 1/2 L=450MM	
20	1	3371809765	MODULAR HOSE LOC-LINE 1/4 SEGM	
21	1	3371809766	LOC-LINE CONNECTOR MALE NPT1/4	
22	2	3377000428	Hose clip ø13/20	
23	1	3371815739	Screw M3x6	
24	1	3371809754	Cable bow NX 1	
25	1	3371809751	Plastic tip 30x30	
26	1	3371809030	Steering rod	
27	1	3371809231	Pointer	
28	2	3371809761	Bolt w/nut M8	
29	3	0301233500	WASHER-FLAT:M 8.40/16.0X1.5T	
30	1	9125786600	Screw, M10	
31	1	3371809032	SAFETY TRIGGER	
32	1	3376100588	Screw, M8 x 20 mm	
33	1	3371809239	Axel	
34	1	3371809767	Safety wheel	
35	1	4700904856	OBSOLETE	
36	1	3371809758	Spring clip	



Go to Discount-Equipment.se to order your parts

<b>Id</b>	<b>Qty</b>	<b>Number</b>	<b>Name</b>	<b>Specifications</b>
2	1	3371897257	LABEL - DIRECTION OF ROTATION	
3	1	3371897252	DECAL RPM - CUT OFF SAW 16"	
4	1	3371896061	LABEL	
5	1	3371896043	LABEL WATER - OPENED	
6	1	3371896044	LABEL WATER - CLOSED	
7	1	3371896047	LABEL	
8	1	3371896048	LABEL	
9	1	3371802115	LABEL	
10	1	3371896040	Safety label	
11	1	3371896003	Label	
12	1	3371896049	LABEL	
13	1	3371897172	Product label	
14	1	3371897156	CP logo	

Go to Discount-Equipment.com to order your parts



Go to Discount-Equipment.se to order your parts

<b>Id</b>	<b>Qty</b>	<b>Number</b>	<b>Name</b>	<b>Specifications</b>
2	1	3371897257	LABEL - DIRECTION OF ROTATION	
3	1	3371897251	Label, rpm 14 in.	
4	1	3371896061	LABEL	
5	1	3371896043	LABEL WATER - OPENED	
6	1	3371896044	LABEL WATER - CLOSED	
7	1	3371896047	LABEL	
8	1	3371896048	LABEL	
9	1	3371802115	LABEL	
10	1	3371896041	Safety label	
11	1	3371896002	Label	
12	1	3371897171	PRODUCT LABEL LS14 CP	
13	1	3371897156	CP logo	

Go to Discount-Equipment.com to order your parts

# PARTS FINDER

**Search Website  
by Part Number**



**Search Manual  
Library For Parts  
Manual & Lookup Part  
Numbers – Purchase  
or Request Quote**

**Search Manuals**

Enter your information to help us find the right parts manual for your machine.

\* Brand:

\* Model:

\* Serial:

\* Part Number:

SEARCH

**Can't Find Part or  
Manual? Request Help  
by Manufacturer,  
Model & Description**

**Parts Order Form**

Please fill in the following information to help us find the right part for your machine.

Manufacturer:	<input type="text"/>
Model:	<input type="text"/>
Description:	<input type="text"/>
Part Number:	<input type="text"/>
Quantity:	<input type="text"/>
Notes:	<input type="text"/>

Discount-Equipment.com is your online resource for quality parts & equipment.

Florida: **561-964-4949** Outside Florida TOLL FREE: **877-690-3101**

**Need parts?**

Click on this link: <http://www.discount-equipment.com/category/5443-parts/> and choose one of the options to help get the right parts and equipment you are looking for. Please have the machine model and serial number available in order to help us get you the correct parts. If you don't find the part on the website or on one of the online manuals, please fill out the request form and one of our experienced staff members will get back to you with a quote for the right part that your machine needs.

We sell worldwide for the brands: Genie, Terex, JLG, MultiQuip, Mikasa, Essick, Whiteman, Mayco, Toro Stone, Diamond Products, Generac Magnum, Airman, Haulotte, Barreto, Power Blanket, Nifty Lift, Atlas Copco, Chicago Pneumatic, Allmand, Miller Curber, Skyjack, Lull, Skytrak, Tsurumi, Husquvarna Target, Stow, Wacker, Sakai, Mi-T-M, Sullair, Basic, Dynapac, MBW, Weber, Bartell, Bennar Newman, Haulotte, Ditch Runner, Menegotti, Morrison, Contec, Buddy, Crown, Edco, Wyco, Bomag, Laymor, EZ Trench, Bil-Jax, F.S. Curtis, Gehl Pavers, Heli, Honda, ICS/PowerGrit, IHI, Partner, Imer, Clipper, MMD, Koshin, Rice, CH&E, General Equipment, Amida, Coleman, NAC, Gradall, Square Shooter, Kent, Stanley, Tamco, Toku, Hatz, Kohler, Robin, Wisconsin, Northrock, Oztec, Toker TK, Rol-Air, APT, Wylie, Ingersoll Rand / Doosan, Innovatech, Con X, Ammann, Mecalac, Makinex, Smith Surface Prep, Small Line, Wanco, Yanmar