



Chicago Pneumatic Construction Tools

Spare parts list

Hydraulic Cut-off Saws with Cart

SAW 14, SAW 16



**Discount
Equipment**

www.discount-equipment.com

PARTS FINDER

**Search Website
by Part Number**



**Search Manual
Library For Parts
Manual & Lookup Part
Numbers – Purchase
or Request Quote**

Search Manuals

Enter your information to help us find the right parts manual for your machine.

* Brand:

* Model:

* Serial:

* Part Number:

SEARCH

**Can't Find Part or
Manual? Request Help
by Manufacturer,
Model & Description**

Parts Order Form

Please fill in the following information to help us find the right part for your machine.

| | |
|---------------|----------------------|
| Manufacturer: | <input type="text"/> |
| Model: | <input type="text"/> |
| Description: | <input type="text"/> |
| Part Number: | <input type="text"/> |
| Quantity: | <input type="text"/> |
| Notes: | <input type="text"/> |

Submit

Discount-Equipment.com is your online resource for quality parts & equipment.

Florida: **561-964-4949** Outside Florida TOLL FREE: **877-690-3101**

Need parts?

Click on this link: <http://www.discount-equipment.com/category/5443-parts/> and choose one of the options to help get the right parts and equipment you are looking for. Please have the machine model and serial number available in order to help us get you the correct parts. If you don't find the part on the website or on one of the online manuals, please fill out the request form and one of our experienced staff members will get back to you with a quote for the right part that your machine needs.

We sell worldwide for the brands: Genie, Terex, JLG, MultiQuip, Mikasa, Essick, Whiteman, Mayco, Toro Stone, Diamond Products, Generac Magnum, Airman, Haulotte, Barreto, Power Blanket, Nifty Lift, Atlas Copco, Chicago Pneumatic, Allmand, Miller Curber, Skyjack, Lull, Skytrak, Tsurumi, Husquvarna Target, Stow, Wacker, Sakai, Mi-T-M, Sullair, Basic, Dynapac, MBW, Weber, Bartell, Bennar Newman, Haulotte, Ditch Runner, Menegotti, Morrison, Contec, Buddy, Crown, Edco, Wyco, Bomag, Laymor, EZ Trench, Bil-Jax, F.S. Curtis, Gehl Pavers, Heli, Honda, ICS/PowerGrit, IHI, Partner, Imer, Clipper, MMD, Koshin, Rice, CH&E, General Equipment, Amida, Coleman, NAC, Gradall, Square Shooter, Kent, Stanley, Tamco, Toku, Hatz, Kohler, Robin, Wisconsin, Northrock, Oztec, Toker TK, Rol-Air, APT, Wylie, Ingersoll Rand / Doosan, Innovatech, Con X, Ammann, Mecalac, Makinex, Smith Surface Prep, Small Line, Wanco, Yanmar



Go to Discount-Equipment.com to order your parts

2008-06

No. 3392 5157 01

© Copyright Chicago Pneumatic Construction Tools
STOCKHOLM • SWEDEN



Introduction

Welcome! Protect your investment in the world's finest hydraulic tools. Use genuine CP replacement parts.

The purchase of replacement parts for your CP tools deserves the same good judgment that resulted in the purchase of the tools themselves. Each genuine CP part is made from carefully selected and inspected material, subjected to sophisticated machinery and finishing processes and heat-treated to produce just the right combination of hardness, ductility and impact resistance for its intended use. Each part is identical to, and made concurrently with, parts used in production tools.

The use of parts other than genuine CP replacement parts can lead to substandard performance, early failure, possible damage of other parts and, in some instances, unsafe conditions.

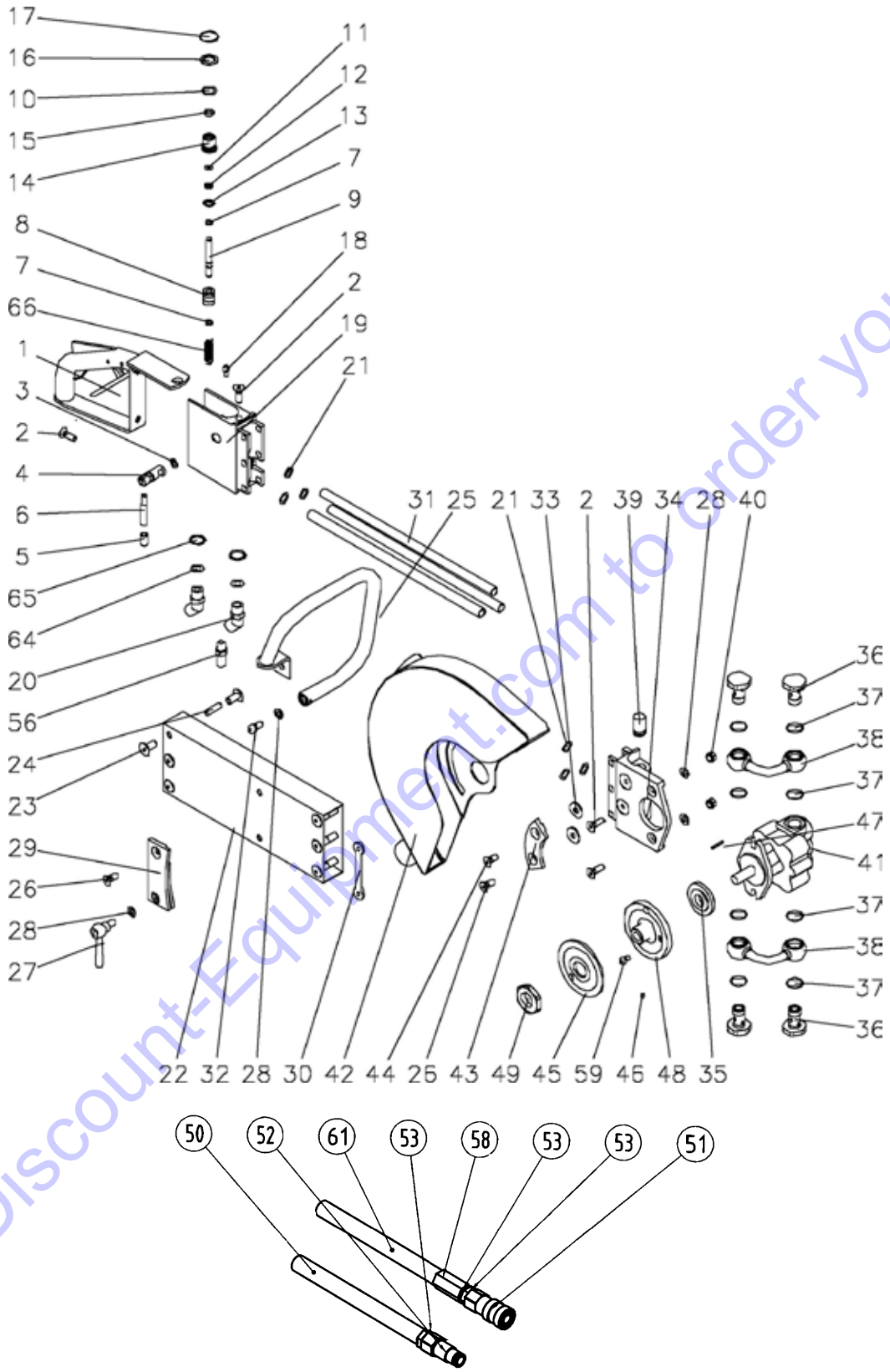
Use only authorized parts. Any damage or malfunction caused by unauthorized parts will not be covered by the Warranty or Product Liability.

Any machine modification not approved by Chicago Pneumatics may result in serious injuries to yourself or others.

To reduce the risk of injury, read and understand the relevant safety and operating instructions before operating the machine.

Before undertaking any maintenance or changing the working tool on hydraulic machines, always switch off the hydraulic oil supply and bleed the machine by activating the start and stop device. Then disconnect the hydraulic hose from the machine.

The CP SAW 14 and SAW 16 hydraulic cut-off saws are powerful, light and compact machines designed for cutting through concrete, asphalt and steel with cutting blades for both dry and wet cutting.



Go to Discount-Equipment.com to order your parts

A



SAW 14

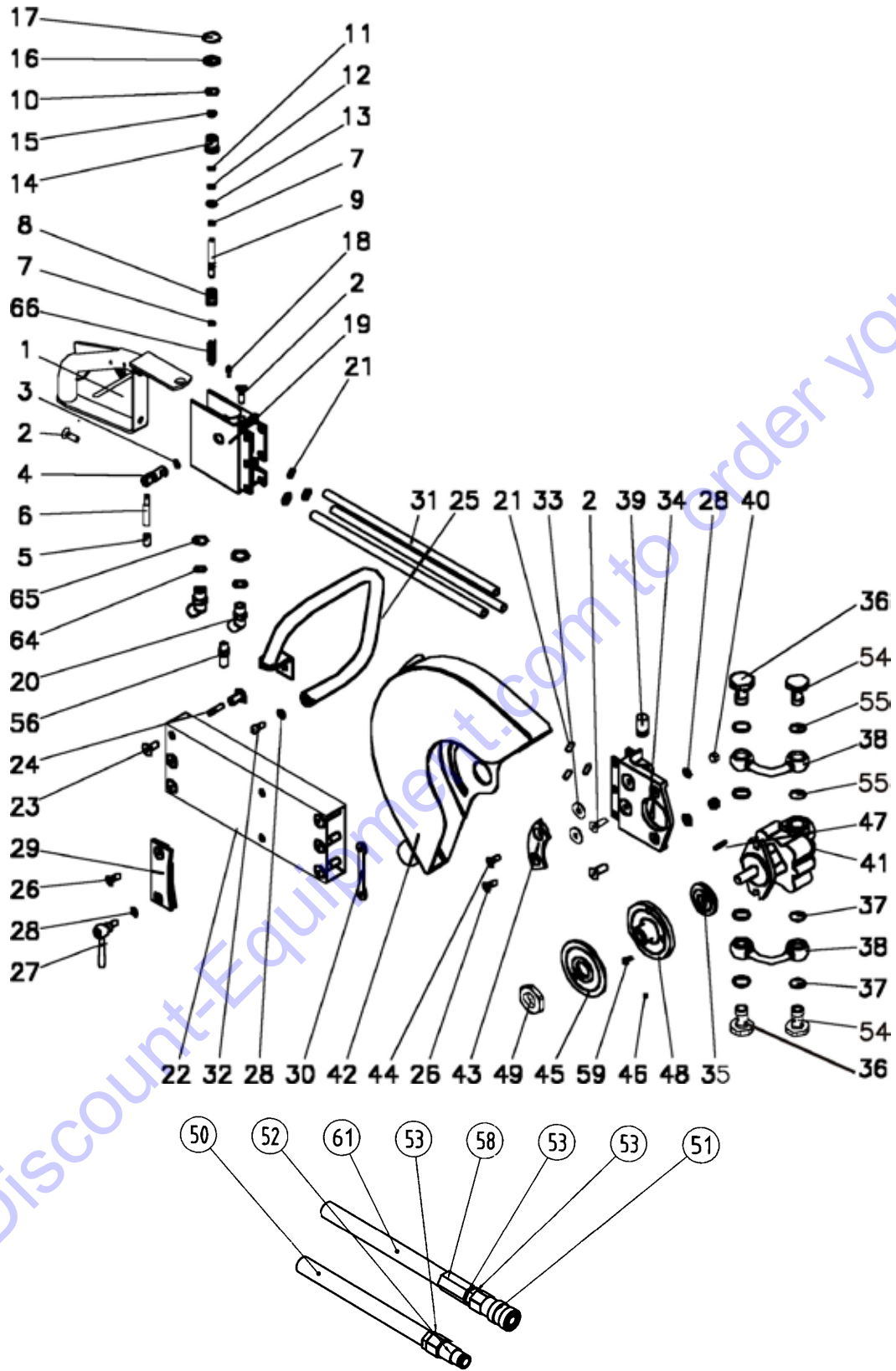
| No. | Part Number | Quantity | Description |
|-----|--------------|----------|--|
| 1 | 3371 8090 03 | 1 | Grip complete |
| 2 | 3371 8097 06 | 2 | Screw M8x25 |
| 3 | 3371 8097 29 | 1 | O-ring $\varnothing 11 \times 2$ |
| 4 | 3371 8091 05 | 1 | Water valve |
| 5 | 3371 8177 66 | 1 | Tip $\varnothing 8$, black |
| 6 | 3371 8177 67 | 1 | Roll pin $\varnothing 8 \times 50$ |
| 7 | 3371 8147 32 | 2 | Circlip SW 8 |
| 8 | 3371 8141 61 | 1 | Trigger spool |
| 9 | 3371 8151 66 | 1 | Trigger rod |
| 10 | 3371 8147 02 | 1 | O-ring $\varnothing 16.3 \times 2.4$ |
| 11 | 3371 8147 00 | 1 | O-ring $\varnothing 8.3 \times 2.4$ |
| 12 | 3371 8147 01 | 1 | Back-up ring $\varnothing 8/12 \times 1.5$ |
| 13 | 3371 8147 12 | 1 | Circlip SB 12 |
| 14 | 3371 8141 20 | 1 | Packing gland |
| 15 | 3371 8055 03 | 1 | Seal $\varnothing 8/14 \times 3.5/5$ |
| 16 | 3371 8097 00 | 1 | Back-up washer $\varnothing 18/25 \times 1.5$ |
| 17 | 3371 8097 01 | 1 | Circlip SB 25 |
| 18 | 3371 8177 28 | 1 | Screw M6x10 |
| 19 | 3371 8091 26 | 1 | Valve block |
| 20 | 3371 8097 30 | 2 | Nipple $\frac{3}{8}$ " BSP $\frac{3}{4}$ " UNF 45° elbow |
| 21 | 3371 8187 05 | 6 | O-ring $\varnothing 14 \times 2$ |
| 22 | 3371 8091 19 | 1 | Frame For SAW 14 |
| 23 | 3371 8097 03 | 12 | Bushing M8x20, stainless |
| 24 | 3377 1220 08 | 6 | Screw M8x30 |
| 25 | 3371 8090 27 | 1 | Front handle Bow with rubber coating |
| 26 | 3371 8097 05 | 2 | Screw M8x20 |
| 27 | 3371 8097 11 | 1 | Clamp screw Assembly |
| 28 | 3377 0004 69 | 4 | Washer $\varnothing 8$ |
| 29 | 3371 8091 30 | 1 | Brake shoe |
| 30 | 3371 8091 01 | 1 | Fastening plate |
| 31 | 3371 8091 45 | 3 | Hydraulic tube $\varnothing 14 \times 1.5$ |
| 32 | 3371 8055 04 | 1 | Screw M8x16 |
| 33 | 3371 8097 10 | 2 | Washer $\varnothing 8.4/24 \times 2$, nylon |

A



| No. | Part Number | Quantity | Description |
|-----|--------------|----------|--|
| 34 | 3371 8091 17 | 1 | Motor flange |
| 35 | 3371 8091 22 | 1 | Washer For motor flange |
| 36 | 3371 8091 48 | 4 | Banjo bolt ¾" UNF |
| 37 | 3371 8207 06 | 8 | O-ring ø22x1.5 |
| 38 | 3371 8091 23 | 2 | Banjo elbow |
| 39 | 3371 8097 32 | 1 | Check valve 6 bar |
| 40 | 3377 1110 08 | 2 | Nut M8 |
| 41 | 3378 0590 79 | 1 | Hydraulic motor MGG 20, finished |
| 42 | 3371 8091 18 | 1 | Guard complete For SAW 14 |
| 43 | 3371 8091 07 | 1 | Guard retainer |
| 44 | 3371 8091 56 | 1 | Screw M8x20, finished |
| 45 | 3371 8091 15 | 1 | Washer For adaptor |
| 46 | 3378 0003 60 | 1 | Screw M5x6 |
| 47 | 3371 8097 31 | 1 | Parallel key For MGG motor |
| 48 | 3371 8091 16 | 1 | Adaptor For 14"/16" discs |
| 49 | 3371 8091 27 | 1 | Counter nut 1" UNF - left |
| 50 | 3371 8090 21 | 1 | Tail hose 2.0 m ¾" |
| 51 | 3371 8051 37 | 1 | Quick-release coupling 06 female |
| 52 | 3371 8051 38 | 1 | Quick-release coupling 06 male |
| 53 | 3377 0163 75 | 2 | Seal ring Bonded seal ¾" BSP |
| 56 | 3371 8097 46 | 1 | Hose fitting ¼" BSP M – ½" Hose |
| 57 | 3371 8097 47 | 1 | Tip ø38 |
| 59 | 3371 8097 12 | 1 | Screw M6x6 |
| 60 | 3371 8097 50 | 1 | Tip ø13 |
| 61 | 3371 8090 21 | 1 | Tail hose 2.0 m ¾" |
| 64 | 3371 8051 09 | 2 | O-ring ø13.95x2.62 |
| 66 | 3371 8141 63 | 1 | Spring For trigger valve |
| | 3371 8096 00 | 1 | Wrench HEX 41, completion |
| 67 | 3378 0999 07 | | Seal kit For MGG Motor |
| | 3371 8090 10 | | Seal kit Incl. fig. No. 3, 7, 10-13, 15-17, 21, 37, 64, 67 |
| | 3371 8140 58 | | Trigger complete Incl. fig. No. 7-15, 66 |

A



B



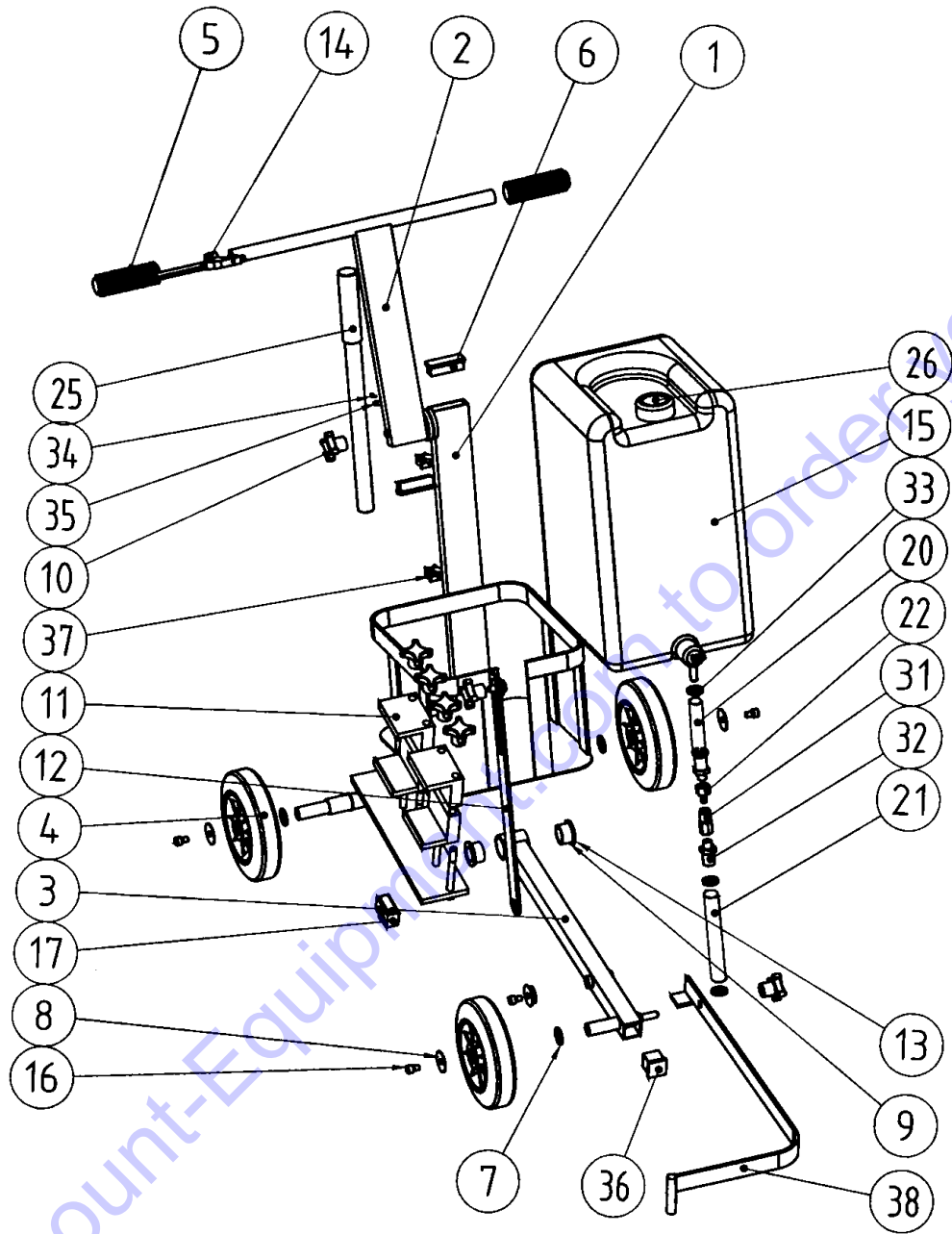
SAW 16

| No. | Part Number | Quantity | Description |
|-----|--------------|----------|--|
| 1 | 3371 8090 03 | 1 | Grip complete |
| 2 | 3371 8097 06 | 2 | Screw M8x25 |
| 3 | 3371 8097 29 | 1 | O-ring $\varnothing 11 \times 2$ |
| 4 | 3371 8091 05 | 1 | Water valve |
| 5 | 3371 8177 66 | 1 | Tip $\varnothing 8$, black |
| 6 | 3371 8177 67 | 1 | Roll pin $\varnothing 8 \times 50$ |
| 7 | 3371 8147 32 | 2 | Circlip SW 8 |
| 8 | 3371 8141 61 | 1 | Trigger spool |
| 9 | 3371 8151 66 | 1 | Trigger rod |
| 10 | 3371 8147 02 | 1 | O-ring $\varnothing 16.3 \times 2.4$ |
| 11 | 3371 8147 00 | 1 | O-ring $\varnothing 8.3 \times 2.4$ |
| 12 | 3371 8147 01 | 1 | Back-up ring $\varnothing 8/12 \times 1.5$ |
| 13 | 3371 8147 12 | 1 | Circlip SB 12 |
| 14 | 3371 8141 20 | 1 | Packing gland |
| 15 | 3371 8055 03 | 1 | Seal $\varnothing 8/14 \times 3.5/5$ |
| 16 | 3371 8097 00 | 1 | Back-up washer $\varnothing 18/25 \times 1.5$ |
| 17 | 3371 8097 01 | 1 | Circlip SB 25 |
| 18 | 3371 8177 28 | 1 | Screw M6x10 |
| 19 | 3371 8091 26 | 1 | Valve block |
| 20 | 3371 8097 30 | 2 | Nipple $\frac{3}{8}$ " BSP $\frac{3}{4}$ " UNF 45° elbow |
| 21 | 3371 8187 05 | 6 | O-ring $\varnothing 14 \times 2$ |
| 22 | 3371 8091 60 | 1 | Frame For SAW 16 |
| 23 | 3371 8097 03 | 12 | Bushing M8x20, stainless |
| 24 | 3377 1220 08 | 6 | Screw M8x30 |
| 25 | 3371 8090 27 | 1 | Front handle Bow with rubber coating |
| 26 | 3371 8097 05 | 2 | Screw M8x20 |
| 27 | 3371 8097 11 | 1 | Clamp screw Assembly |
| 28 | 3377 0004 69 | 4 | Washer $\varnothing 8$ |
| 29 | 3371 8091 30 | 1 | Brake shoe |
| 30 | 3371 8091 01 | 1 | Fastening plate |
| 31 | 3371 8091 61 | 3 | Hydraulic tube $\varnothing 14 \times 1.5$ |
| 32 | 3371 8055 04 | 1 | Screw M8x16 |
| 33 | 3371 8097 10 | 2 | Washer $\varnothing 8.4/24 \times 2$, nylon |

B



| No. | Part Number | Quantity | Description |
|-----|--------------|----------|--|
| 34 | 3371 8091 17 | 1 | Motor flange |
| 35 | 3371 8091 22 | 1 | Washer For motor flange |
| 36 | 3371 8091 48 | 2 | Banjo bolt ¾" UNF |
| 37 | 3371 8207 06 | 4 | O-ring ø22x1.5 |
| 38 | 3371 8091 63 | 2 | Banjo elbow |
| 39 | 3371 8097 32 | 1 | Check valve 6 bar |
| 40 | 3377 1110 08 | 2 | Nut M8 |
| 41 | 3371 8092 24 | 1 | Hydraulic motor MGG 25, finished |
| 42 | 3371 8091 41 | 1 | Guard complete For SAW 16 |
| 43 | 3371 8091 07 | 1 | Guard retainer |
| 44 | 3371 8091 56 | 1 | Screw M8x20, finished |
| 45 | 3371 8091 15 | 1 | Washer For adaptor |
| 46 | 3378 0003 60 | 1 | Screw M5x6 |
| 47 | 3371 8097 31 | 1 | Parallel key For MGG motor |
| 48 | 3371 8091 16 | 1 | Adaptor For 14"/16" discs |
| 49 | 3371 8091 27 | 1 | Counter nut 1" UNF - left |
| 50 | 3371 8090 21 | 1 | Tail hose 2.0 m ¾" |
| 51 | 3371 8051 37 | 1 | Quick-release coupling 06 female |
| 52 | 3371 8051 38 | 1 | Quick-release coupling 06 male |
| 53 | 3377 0163 75 | 2 | Seal ring Bonded seal ¾" BSP |
| 54 | 3371 8091 65 | 2 | Banjo bolt ⅞" UNF |
| 55 | 3371 8147 48 | 4 | O-ring ø25x1.5 |
| 56 | 3371 8097 46 | 1 | Hose fitting ¼" BSP M – ½" hose |
| 57 | 3371 8097 47 | 1 | Tip ø38 |
| 59 | 3371 8097 12 | 1 | Screw M6x6 |
| 60 | 3371 8097 50 | 1 | Tip ø13 |
| 61 | 3371 8090 21 | 1 | Tail hose 2.0 m ¾" |
| 64 | 3371 8051 09 | 2 | O-ring ø13.95x2.62 |
| 66 | 3371 8141 63 | 1 | Spring For trigger valve |
| - | 3371 8096 00 | 1 | Wrench HEX 41, completion |
| 67 | 3378 0999 07 | | Seal kit For MGG Motor |
| - | 3371 8090 11 | | Seal kit Incl. fig. No. 3, 7, 10-13, 15-17, 21, 37, 55, 64, 67 |
| - | 3371 8140 58 | | Trigger complete Incl. fig. No. 7-15, 66 |





Cart for SAW 14 and SAW 16

| No. | Part number | Quantity | Description |
|-----|--------------|----------|---|
| 1 | 3371 8090 23 | 1 | Cart frame |
| 2 | 3371 8090 25 | 1 | Handle frame |
| 3 | 3371 8090 24 | 1 | Arm |
| 4 | 3371 8097 17 | 3 | Wheel ø180 |
| 5 | 3377 0053 07 | 2 | Rubber handle |
| 6 | 3371 8097 13 | 2 | Plastic tip 60x20 |
| 7 | 3371 8097 14 | 4 | Washer ø20/28x1 |
| 8 | 3371 8097 15 | 4 | Washer ø5/16"x35x1.25 |
| 9 | 3371 8097 16 | 2 | Nylon bushing RI 5070 |
| 10 | 3371 8097 18 | 7 | Cross grip M10 |
| 11 | 3371 8092 08 | 4 | Clip Plastic |
| 12 | 3371 8092 29 | 1 | Adjusting arm With ruler |
| 13 | 3371 8097 20 | 2 | Circlip ø25x1.2 |
| 14 | 3371 8097 21 | 1 | Trigger Bicycle type |
| 15 | 3371 8097 22 | 1 | Water tank |
| 16 | 3378 3025 16 | 4 | Screw M8x10 |
| 17 | 3371 8090 05 | 1 | Cable complete |
| 20 | 3371 8092 25 | 1 | Hose 80 mm, ½" rubber |
| 21 | 3371 8092 26 | 1 | Hose 375 mm, ½" rubber |
| 22 | 3371 8097 44 | 1 | Quick-release coupling 04 male |
| 25 | 3371 8097 38 | 1 | Air pump Bicycle type |
| 26 | 3371 8097 39 | 1 | Air valve |
| 31 | 3378 0590 93 | 1 | Quick-release coupling 04 female |
| 32 | 3371 8097 46 | 2 | Hose fitting ¼" BSPT M - ½" hose |
| 33 | 3377 0004 28 | 4 | Hose clip ø13/20 |
| 34 | 3371 8157 39 | 3 | Screw M3x6 |
| 35 | 3371 8097 54 | 1 | Cable bow NX 1 |
| 36 | 3371 8097 51 | 1 | Plastic tip 30x30 |
| 37 | 3371 8097 58 | 2 | Spring clip |
| 38 | 3371 8090 30 | 1 | Steering rod |



**Discount
Equipment**

www.discount-equipment.com

2008-06

No. 3392 5157 01

© Copyright Chicago Pneumatic Construction Tools
STOCKHOLM • SWEDEN

Chicago Pneumatic Construction Tools

PARTS FINDER

**Search Website
by Part Number**



**Search Manual
Library For Parts
Manual & Lookup Part
Numbers – Purchase
or Request Quote**

Search Manuals

Enter your information to help us locate the right manual for your part.

* Brand:

* Model:

* Serial:

* Part Number:

SEARCH

**Can't Find Part or
Manual? Request Help
by Manufacturer,
Model & Description**

Parts Order Form

Please fill in the following information to help us locate the right part for your machine.

| | |
|---------------|---------------------------------------|
| Manufacturer: | <input type="text"/> |
| Model: | <input type="text"/> |
| Description: | <input type="text"/> |
| Part Number: | <input type="text"/> |
| Quantity: | <input type="text"/> |
| Notes: | <input type="text"/> |
| Submit | <input type="button" value="Submit"/> |

Discount-Equipment.com is your online resource for quality parts & equipment.

Florida: **561-964-4949** Outside Florida TOLL FREE: **877-690-3101**

Need parts?

Click on this link: <http://www.discount-equipment.com/category/5443-parts/> and choose one of the options to help get the right parts and equipment you are looking for. Please have the machine model and serial number available in order to help us get you the correct parts. If you don't find the part on the website or on one of the online manuals, please fill out the request form and one of our experienced staff members will get back to you with a quote for the right part that your machine needs.

We sell worldwide for the brands: Genie, Terex, JLG, MultiQuip, Mikasa, Essick, Whiteman, Mayco, Toro Stone, Diamond Products, Generac Magnum, Airman, Haulotte, Barreto, Power Blanket, Nifty Lift, Atlas Copco, Chicago Pneumatic, Allmand, Miller Curber, Skyjack, Lull, Skytrak, Tsurumi, Husquvarna Target, Stow, Wacker, Sakai, Mi-T-M, Sullair, Basic, Dynapac, MBW, Weber, Bartell, Bennar Newman, Haulotte, Ditch Runner, Menegotti, Morrison, Contec, Buddy, Crown, Edco, Wyco, Bomag, Laymor, EZ Trench, Bil-Jax, F.S. Curtis, Gehl Pavers, Heli, Honda, ICS/PowerGrit, IHI, Partner, Imer, Clipper, MMD, Koshin, Rice, CH&E, General Equipment, Amida, Coleman, NAC, Gradall, Square Shooter, Kent, Stanley, Tamco, Toku, Hatz, Kohler, Robin, Wisconsin, Northrock, Oztec, Toker TK, Rol-Air, APT, Wylie, Ingersoll Rand / Doosan, Innovatech, Con X, Ammann, Mecalac, Makinex, Smith Surface Prep, Small Line, Wanco, Yanmar