

# SECTION 2 TURNTABLE

**FIGURE 2-48. GROUND CONTROL COMPONENTS INSTALLATION (MACHINES WITH HYDRAULIC CONTROLS) (CONTINUED)**

FIG & ITEM #	PART NUMBER	DESCRIPTION	QTY.	REV.
68	Not Required 4060802	Guard, Switch Options: All Machines Built Prior To May 1994 All Machines Built May 1994 To Present	4	
69	Not Required 4360141	Cover, Switch - Red Options: All Machines Built Prior To May 1994 All Machines Built May 1994 To Present	1	
70	1840002 Not Required	Duct Options: All Machines Built Prior To May 1994 All Machines Built May 1994 To Present	11 in.	
71	1700790 Not Required	Decal - Relay Schematic Options: All Machines Built Prior To May 1994 All Machines1 Built May 1994 To Present	1	
72	3251880 Not Required	Nameplate - Rotate and Level Options: All Machines Built Prior To May 1994 All Machines Built May 1994 To Present	1	
		<b>GROUND CONTROL BOX AND HARNESS ASSEMBLIES</b>	Ref.	
101	Not Used			
102	Not Used			
103	4920845 (See Section 7)	Harness Options: All Machines Except Deutz F3L1011 Machines Deutz F3L1011 Machines	A/R	
104	4921131 (See Section 7)	Harness Options: All Machines Except Deutz F3L1011 Machines Deutz F3L1011 Machines	A/R	
105	0239219 0860913 0860710 0860935	Control Box Assembly Options (Includes Items 1-72): Deutz F2L511/F3L912, Ford and Wisconsin (Prior to May 1994) Deutz F2L511/F3L912, Ford and Wisconsin (May 1994 to Present) Deutz F3L1011 (Prior to May 1994) Deutz F3L1011 (May 1994 to Present)	1	
106	1060016	Cable, Electrical - 16/3	12 ft.	
		<b>GROUND CONTROL INSTALLATION (STANDARD PARTS)</b>	Ref.	
201	Not Used			
202	Not Used			
203	Not Used			
204	2420009	Gauge, Hourmeter	1	
205	Not Used			
206	0641406	Bolt 1/4"-20NC x 3/4"	6	
207	4761400	Lockwasher 1/4"	6	
208	3311401	Nut, 1/4"-20NC	6	
209	Not Used			
210	Not Used			
211	0100020	Sealant, Pipe	A/R	

## SECTION 2 TURNTABLE

FIGURE 2-48. GROUND CONTROL COMPONENTS INSTALLATION (MACHINES WITH HYDRAULIC CONTROLS) (CONTINUED)

FIG & ITEM #	PART NUMBER	DESCRIPTION	QTY.	REV.
212	Not Used			
213	4751400	Flatwasher 1/4"	3	
214	0641610	Bolt 3/8"-16NC x 1 1/4"	4	
215	4751600	Flatwasher 3/8"	8	
216	4761600	Lockwasher 3/8"	4	
217	3311601	Nut 3/8"-16NC	4	
218	4841978	Weldment, Box Mounting	1	
219	4640558	Valve, Ground Control	1	
	7009353	Cartridge (With Knob)	6	
	7009354	Cartridge (Without Knob)	2	
220	0901518	Bracket, Valve Mounting	1	
221	0641508	Bolt 5/16"-18NC x 1"	2	
222	4761500	Lockwasher 5/16"	6	
223	3311501	Nut 5/16"-18NC	6	
224	0641538	Bolt 5/16"-18NC x 4 3/4"	4	
225	4751500	Flatwasher 5/16"	4	
226	3251869	Decal, Lift Down	1	
227	3251868	Decal, Lift Up	1	
228	3251866	Decal, Telescope In	1	
229	3251867	Decal, Telescope Out	1	
230	3251864	Decal, Swing Left	1	
231	3251865	Decal, Swing Right	1	
		<b>GROUND CONTROL INSTALLATIONS (VARIABLE PARTS)</b>	Ref.	
	0239273	<b>DEUTZ F2L511/F3L912</b>	Ref.	D
	0251644	<b>DEUTZ F3L1011</b>	Ref.	F
	0239272	<b>FORD (Prior to S/N 36897)</b>	Ref.	G
	0256662	<b>FORD - LRG (S/N 36897 to Present)</b>	Ref.	
	0239271	<b>WISCONSIN</b>	Ref.	F
251		Gauge, Voltmeter Options:	1	
	2420091	Deutz F2L511/F3L912		
	2420129	Deutz F3L1011		
	2420091	Ford/Ford - LRG		
	2420091	Wisconsin		
252		Gauge, Oil Pressure Options:	1	
	2420030	Deutz F2L511/F3L912		
	2420111	Deutz F3L1011		
	2420035	Ford/Ford - LRG		
	Not Required	Wisconsin		
253		Gauge, Water Temperature Options:	1	
	Not Required	Deutz F2L511/F3L912		
	2420125	Deutz F3L1011		
	2420019	Ford/Ford - LRG		
	Not Required	Wisconsin		

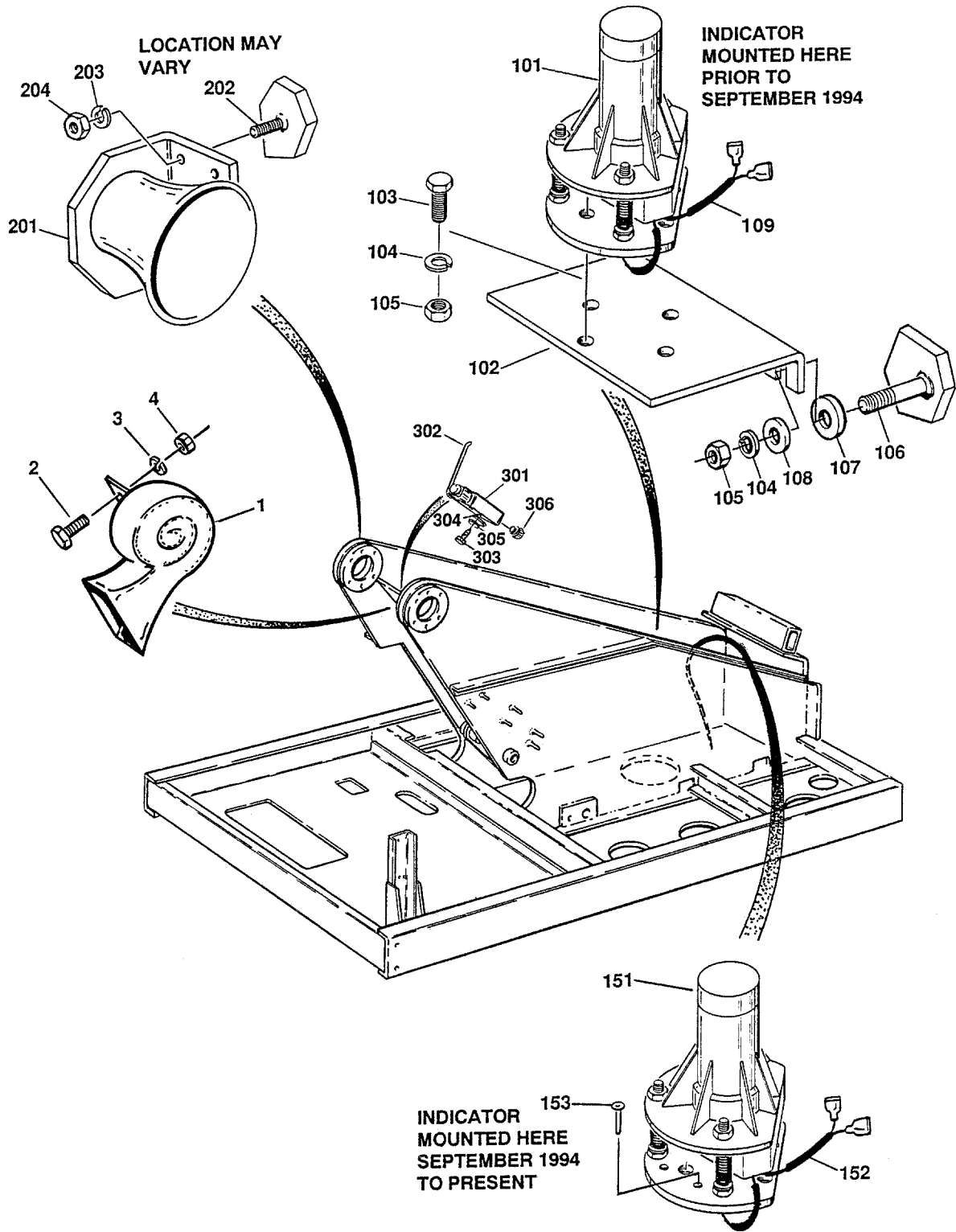
# SECTION 2 TURNTABLE

**FIGURE 2-48. GROUND CONTROL COMPONENTS INSTALLATION (MACHINES WITH HYDRAULIC CONTROLS) (CONTINUED)**

FIG & ITEM #	PART NUMBER	DESCRIPTION	QTY.	REV.
254		Bracket, Gauge Mounting Options:	1	
	0901212	Deutz F2L511/F3L912 (Prior to S/N 30866)		
	3380309	Deutz F2L511/F3L912 (S/N 30866 to Present)		
	3380309	Deutz F3L1011		
	3380309	Ford/Ford - LRG		
255	0901213	Wisconsin	1	
		Fitting Options:		
	2220021	Deutz F2L511/F3L912		
	Not Required	Deutz F3L1011		
	Not Required	Ford/Ford - LRG		
256	2220021	Wisconsin	1	
		Ground Control Box and Harness Assembly Options (Includes Items 101-106):		
		Deutz F2L511/F3L912		
	0860564	Prior to May 1994		
	0860912	May 1994 to Present		
		Deutz F3L1011		
	0860710	Prior to May 1994		
	0860935	May 1994 to Present		
		Ford		
	0860564	Prior May 1994		
	0860912	May 1994 to Present		
	0861054	Ford - LRG		
	Wisconsin			
0860564	Prior to May 1994			
0860912	May 1994 to Present			

# SECTION 2 TURNTABLE

**FIGURE 2-49. ELECTRICAL COMPONENTS INSTALLATION (TURNTABLE MOUNTED)**



# SECTION 2 TURNTABLE

**FIGURE 2-49. ELECTRICAL COMPONENTS INSTALLATION (TURNTABLE MOUNTED)**

FIG & ITEM #	PART NUMBER	DESCRIPTION	QTY.	REV.
	0237205	<b>HORN INSTALLATION</b>	Ref.	—
1	0140001	Horn, Electric	1	
2	0641406	Bolt 1/4"-20NC x 3/4"	1	
3	4761400	Lockwasher 1/4"	1	
4	3311401	Nut 1/4"-20NC	1	
	0235631	<b>TILT INDICATOR INSTALLATION (PRIOR TO APRIL 1982)</b>	Ref.	—
	0236536	<b>TILT INDICATOR INSTALLATION (APRIL 1982 TO SEPTEMBER 1984)</b>	Ref.	—
101	4360171	Indicator, Tilt	1	
102	3508393	Plate, Tilt Indicator	1	
103	0641406	Bolt 1/4"-20NC x 3/4"	4	
104	4761400	Lockwasher 1/4"	6	
105	3311401	Nut 1/4"-20NC	6	
106	4300032	Stud (Welded Part)	2	
107	4751400	Flatwasher 1/4"	2	
108	4741500	Flatwasher 5/16"	2	
109	2820022	Tubing, Vinyl	1 ft.	
	0250138	<b>TILT INDICATOR INSTALLATION (SEPTEMBER 1984 TO PRESENT)</b>	Ref.	D
151	4360171	Indicator, Tilt	1	
152	2820015	Tubing, Vinyl	1 ft.	
153	4300106	Screw, Drive #10 x 3/8"	2	
	0234429	<b>TRAVEL ALARM INSTALLATION (PRIOR TO APRIL 1986)</b>	Ref.	A
	0237540	<b>TRAVEL ALARM INSTALLATION (APRIL 1986 TO APRIL 1992)</b>	Ref.	A
	0251543	<b>TRAVEL ALARM INSTALLATION (APRIL 1992 TO PRESENT)</b>	Ref.	2
	0239055	<b>TRAVEL ALARM INSTALLATION U/L</b>	Ref.	A
201		Alarm, Travel Options:	1	
	0140012	Prior to September 1989	1	
	0140024	September 1989 to April 1992	1	
	0140032	April 1992 to Present	1	
202	0641406	Bolt 1/4"-20NC x 3/4"	2	
203	4751400	Flatwasher 1/4"	4	
204	3311405	Locknut 1/4"	2	
	1670398	Cover (U/L Only, Not Shown)	1	

# SECTION 2 TURNTABLE

SECTION 2 TURNTABLE

**FIGURE 2-49. ELECTRICAL COMPONENTS INSTALLATION (TURNTABLE MOUNTED)  
(CONTINUED)**

FIG & ITEM #	PART NUMBER	DESCRIPTION	QTY.	REV.
	0236287	<b>HORIZONTAL CUT-OUT LIMIT SWITCH INSTALLATION</b>	Ref.	D
301	4360057	Switch, Limit	1	
302	0200048	Arm, Activator	1	
303	0731005	Screw, Machine #10-32NF x 5/8"	2	
304	4751000	Flatwasher #10	2	
305	4761000	Lockwasher #10	2	
306	4460049	Connector	1	

# SECTION 2 TURNTABLE

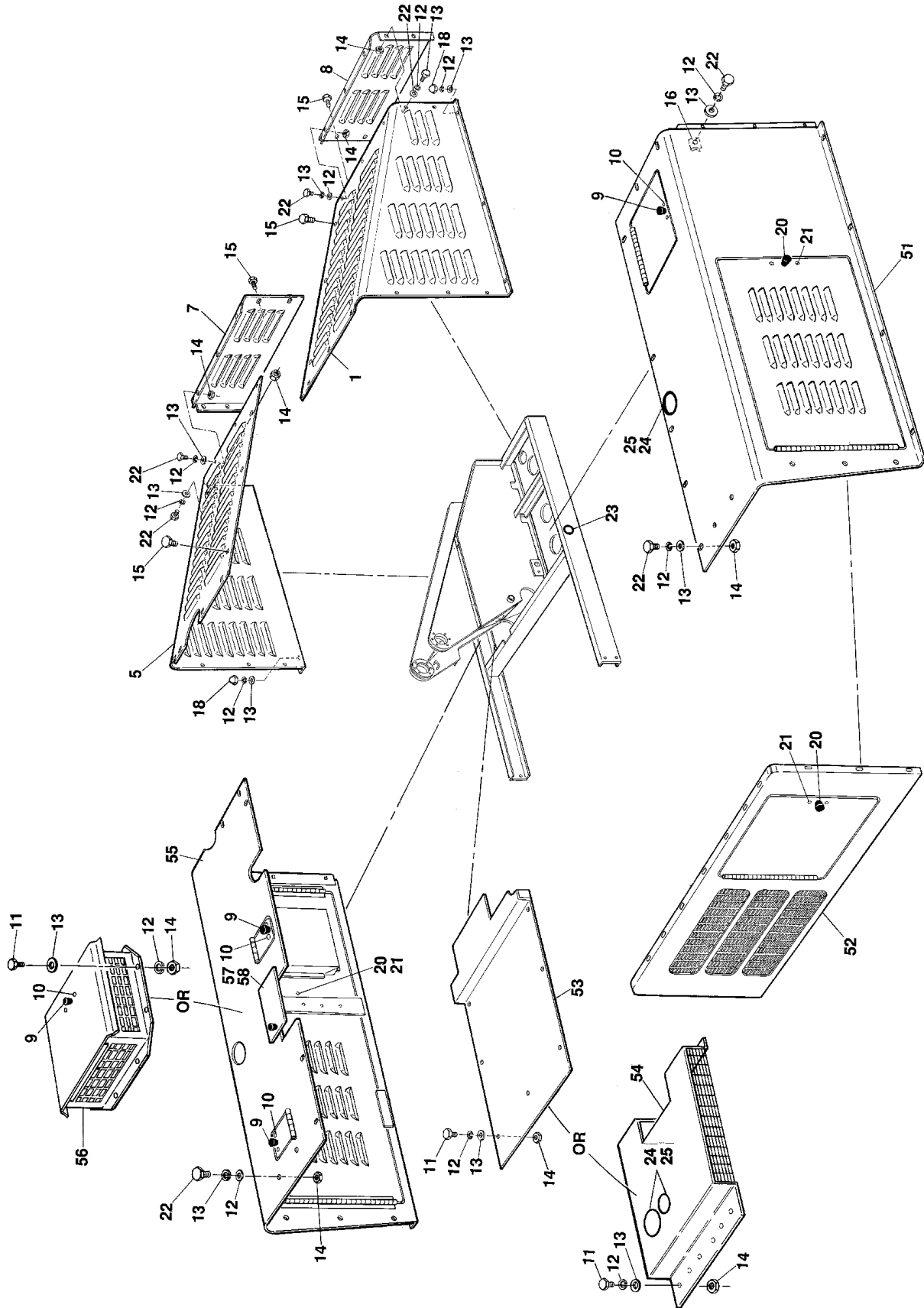
FIGURE 2-49. ELECTRICAL COMPONENTS INSTALLATION (TURNTABLE MOUNTED)  
(CONTINUED)

FIG & ITEM #	PART NUMBER	DESCRIPTION	QTY.	REV.

**S  
E  
C  
T  
I  
O  
N  
  
2  
  
T  
U  
R  
N  
T  
A  
B  
L  
E**

# SECTION 2 TURNTABLE

FIGURE 2-50. HOODS INSTALLATION





# SECTION 2 TURNTABLE

**FIGURE 2-50. HOODS INSTALLATION**

FIG & ITEM #	PART NUMBER	DESCRIPTION	QTY.	REV.
	1280449	<b>HOODS INSTALLATION (STANDARD PARTS)</b>	Ref.	I
		<b>Note: Replacement Decals Must Be Ordered Separately - See Section 8.</b>	Ref.	
1	2680232	Hood, Oil Tank	1	
2 to 4	Not Used			
5	2680233	Hood, Fuel Tank	1	
6	Not Used			
7	2680231	Cover, Rear (Oil Tank Side)	1	
8	2680230	Cover, Rear (Fuel Tank Side)	1	
9	2940050	Latch, Door	A/R	
10	3820012	Rivet	A/R	
11	0641406	Bolt 1/4"-20NC x 3/4"	A/R	
12	4761400	Lockwasher 1/4"	A/R	
13	4751400	Flatwasher 1/4"	A/R	
14	3311401	Nut 1/4"-20NC	A/R	
15	3900022	Screw, Self-Tap 1/4" x 7/8"	A/R	
16	3300181	Nut, Retainer	12	
17	4300031	Stud (Welded on Part - Not Shown)	14	
18	3300151	Nut, Acorn 1/4"-20NC	14	
19	Not Used			
20	2940048	Latch, Door	4	
21	3820019	Rivet	8	
22	0641405	Bolt 1/4"-20NC x 5/8"	A/R	
23	3520064	Plug, Hole	2	
24	2540003	Grommet	A/R	
25	0100001	Adhesive	A/R	
		<b>HOODS INSTALLATIONS (VARIABLE PARTS)</b>	Ref.	
	0236474	<b>DEUTZ F2L511</b>	Ref.	G
	2680336	<b>DEUTZ F3L912</b>	Ref.	D
	0251315	<b>DEUTZ F3L1011</b>		2
	2680319	<b>FORD</b>	Ref.	N
	0236809	<b>WISCONSIN</b>	Ref.	E
51		Hood - Valve Side Options:	1	
	4841940	Deutz F2L511		
	4842067	Deutz F3L912		
	4841940	Deutz F3L1011		
	4841940	Ford		
	4841940	Wisconsin		
52		Cover - Front Side Options:	1	
	4842016	Deutz F2L511		
	4842063	Deutz F3L912		
	4843741	Deutz F3L1011		
	4841921	Ford		
	4842216	Wisconsin		

# SECTION 2 TURNTABLE

SECTION 2 TURNTABLE

**FIGURE 2-50. HOODS INSTALLATION (CONTINUED)**

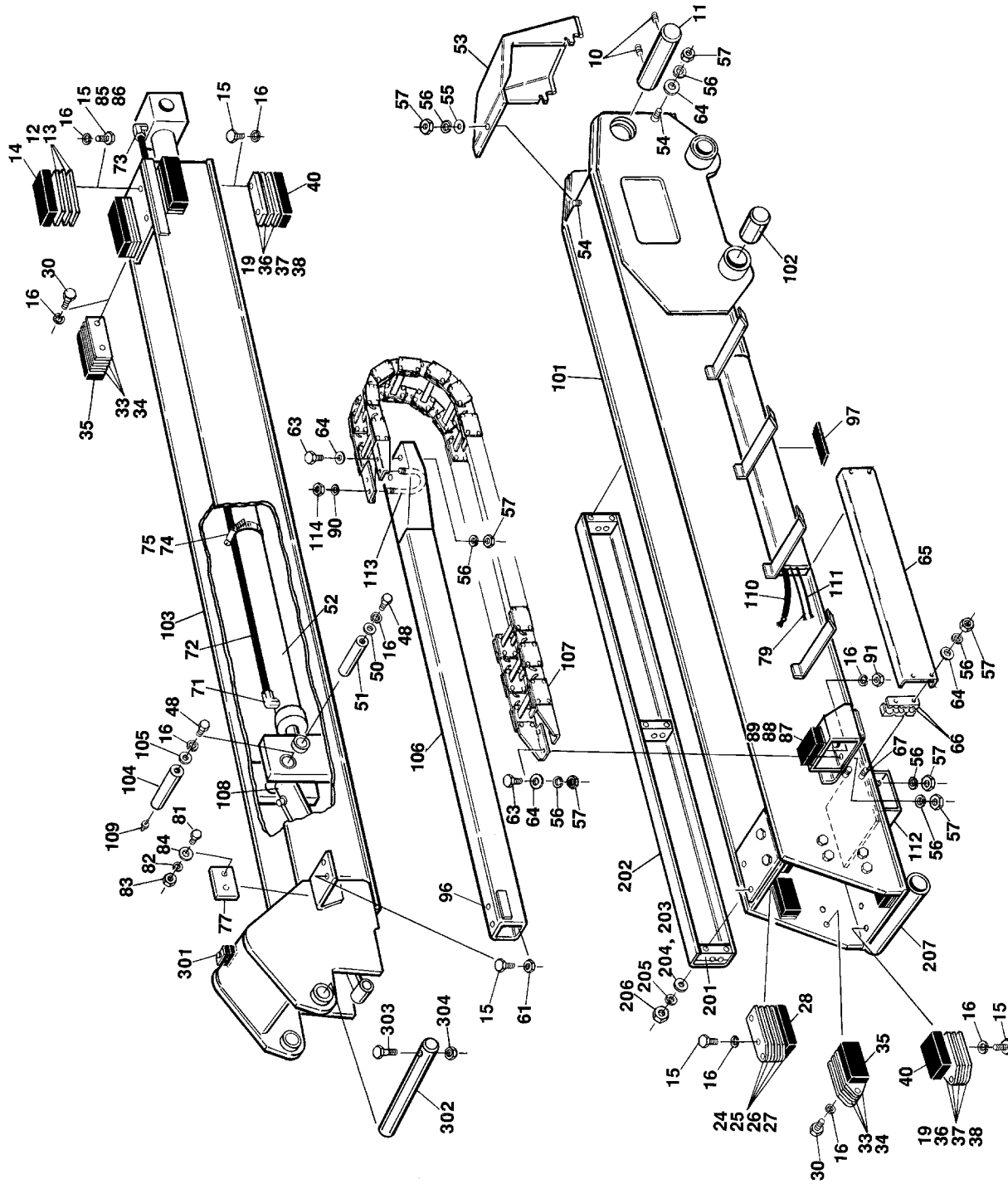
FIG & ITEM #	PART NUMBER	DESCRIPTION	QTY.	REV.
53		Cover - Front Center Options:	1	
		Deutz F2L511		
	2680348	February 1986 to Present		
	2680238	Prior to February 1986		
	Not Required	Deutz F3L912		
	2680348	Deutz F3L1011		
		Ford		
	2680238	Prior to February 1986		
	2680348	February 1986 to September 1987		
	0238279	September 1987 to Present		
2680233	Wisconsin			
54		Vent - Front Center Options:	1	
	Not Required	Deutz F2L511		
		Deutz F3L912		
	4680005	October 1989 to Present		
	4842066	Prior to October 1989		
	Not Required	Deutz F3L1011		
	Not Required	Ford		
Not Required	Wisconsin			
55		Hood - Engine Side Options:	1	
		Deutz F2L511		
	4842846	September 1987 to Present		
	4842018	Prior to September 1987		
		Deutz F3L912		
	4842852	September 1987 to Present		
	4842064	Prior to September 1987		
	4842846	Deutz F3L1011		
		Ford		
	4841939	Prior to September 1987		
	4842829	September 1987 to October 1988		
	4842880	October 1988 to Present		
		Wisconsin		
	4843436	July 1990 to Present		
4842846	September 1987 to July 1990			
4842018	Prior to September 1987			
56		Ventilator Options:	1	
	4842976	Deutz F2L511		
	Not Required	Deutz F3L912		
	4842976	Deutz F3L1011		
	Not Required	Ford		
	Wisconsin			
57	1670301	Cover, Oil Cap (Circular in Design - Not Shown) (Ford Engine Machines Only) (Prior to August 1986 Only)	1	
58	1670363	Cover (Rectangular in Design) (Ford Engine Machines Only) (August 1985 to September 1987 Only)	1	

# SECTION 3 BOOM

TABLE OF CONTENTS		
FIGURE	DESCRIPTION	PAGE
3-1	2 SECTION BOOM ASSEMBLIES .....	3-2
3-2	3 SECTION BOOM ASSEMBLIES .....	3-8
3-3	BOOM WIPERS INSTALLATION (2 SECTION) .....	3-14
3-4	BOOM WIPERS INSTALLATION (3 SECTION) .....	3-16
3-5	EXTEND-A-REACH INSTALLATIONS (40H+6 MACHINES) .....	3-20

# SECTION 3 BOOM

FIGURE 3-1. 2 SECTION BOOM ASSEMBLIES



# SECTION 3 BOOM

**FIGURE 3-1. 2 SECTION BOOM ASSEMBLIES**

FIG & ITEM #	PART NUMBER	DESCRIPTION	QTY.	REV.
		<b>BOOM ASSEMBLY (STANDARD PARTS)</b>	Ref.	
1 to 8	Not Used			
9	0100011	Loctite #242 (Not Shown)	A/R	
10	3951608	Setscrew 3/8"-16NC x 1"	2	
11	3421052	Pin (Telescope Cylinder Attach)	1	
12	4070504	Shim 1/16"	A/R	
13	4070503	Shim 1/8"	A/R	
14	3340401	Pad, Wear	2	
15	0641610	Bolt 3/8"-16NC x 1 1/4"	A/R	
16	4761600	Lockwasher 3/8"	A/R	
17 to 18	Not Used			
19	4070506	Shim 1/4"	A/R	
20 to 23	Not Used			
24	4070498	Shim 1/16"	A/R	
25	4070499	Shim 1/32"	A/R	
26	4070497	Shim 1/8"	A/R	
27	4070500	Shim 1/4"	A/R	
28	3340399	Pad, Wear	2	
29	Not Used			
30	0641606	Bolt 3/8"-16NC x 3/4"	12	
31 to 32	Not Used			
33	4070502	Shim 1/16"	A/R	
34	4070501	Shim 1/8"	A/R	
35	3340394	Pad, Wear	6	
36	4070508	Shim 1/16"	A/R	
37	4070505	Shim 11/64"	A/R	
38	4070507	Shim 1/8"	A/R	
39	Not Used			
40	3340403	Pad, Wear	4	
41 to 47	Not Used			
48	0651608	Bolt 3/8"-24NF x 1"	A/R	
49	Not Used			
50	4740263	Washer, Special	1	
51	4841836	Pin (Telescope Cylinder Attach)	1	
52		Telescope Cylinder Assembly Options (See Section 5 for Breakdown)	1	
	1681510	Cylinder (Prior to July 1985) <b>Note: If replacing complete cylinder recommend using P/N 1681583</b>	Ref.	
	1681583	Cylinder (July 1985 to Present)		
53	4060567	Shield, Boom	1	
54	4300032	Stud (Welded on Part)	3	
55	Not Used			
56	4761400	Lockwasher 1/4"	17	
57	3311401	Nut 1/4"-20NC	17	
58 to 60	Not Used			
61	3311605	Locknut 3/8"-16NC	2	
62	Not Used			

# SECTION 3 BOOM

**FIGURE 3-1. 2 SECTION BOOM ASSEMBLIES (CONTINUED)**

FIG & ITEM #	PART NUMBER	DESCRIPTION	QTY.	REV.
63	0641407	Bolt 1/4"-20NC x 7/8"	8	
64	4751400	Flatwasher 1/4"	21	
65	4060568	Shield	2	
66	4340413	Support, Line	3	
67	4300042	Stud (Welded on Part)	6	
68 to 70	Not Used			
71	2220343	Fitting, Straight	1	
72	2751150	Hose	1	
73	2220372	Fitting, Straight	1	
74	4280018	Strip, Rubber	3 ft.	
75	1320037	Clamp, Hose	2	
76	0100020	Sealant, Pipe (Not Shown)	A/R	
77	4280242	Strip, Reinforcement	1	
78	Not Used			
79		Cable Electrical - 12/4	A/R	
	1060012	40H (Prior to S/N 52885)	57.3 ft.	
	1060515	40H (S/N 52885 to Present)	57.3 ft.	
	1060012	46H/40H+6 (Prior to S/N 52885)	69.3 ft.	
	1060515	46H/40H+6 (S/N 52885 to Present)	69.3 ft.	
80	Not Used			
81	0641510	Bolt 5/16"-18NC x 1 1/4"	2	
82	4761500	Lockwasher 5/16"	2	
83	3311501	Nut 5/16"-18NC	2	
84	4711500	Flatwasher 5/16"	2	
85	1380124	Clip, Retainer (March 1995 to June 1995)	6	
86	4920986	Wire, Mechanics (March 1995 to June 1995)	A/R	
87	3340453	Pad, Wear	1	
88	4070508	Shim	A/R	
	4070551	Shim (800 LBS. Capacity with Hydraulic Controls)	A/R	
89	4070507	Shim	A/R	
	4070552	Shim (800 LBS. Capacity with Hydraulic Controls)	A/R	
90	4761600	Lockwasher 3/8"	2	
91	0641608	Bolt 3/8"-16NC x 1"	2	
92 to 95	Not Used			
96	3520029	Plug, Hole	2	
97	1670836	Cover, Boom (S/N 34483 to Present)	4	
		<b>BOOM ASSEMBLY OPTIONS: (VARIABLE PARTS)</b>	Ref.	
	0800379	<b>STANDARD 40H WITH STANDARD CONTROLS</b>	Ref.	28
	0800707	<b>800 LBS. CAPACITY 40H WITH STANDARD CONTROLS</b>	Ref.	7
	0801098	<b>800 LBS. CAPACITY 40H WITH HYDRAULIC CONTROLS</b>	Ref.	3
	0800578	<b>STANDARD 40H WITH HYDRAULIC CONTROLS</b>	Ref.	14
	0800504	<b>46H/40H+6 WITH STANDARD CONTROLS (NOT SHOWN)</b>	Ref.	9
101		Base Weldment Options:	1	
	0800378	Standard 40H with Standard Controls		
	0800706	800 LBS. Capacity with Standard Controls		

# SECTION 3 BOOM

**FIGURE 3-1. 2 SECTION BOOM ASSEMBLIES (CONTINUED)**

FIG & ITEM #	PART NUMBER	DESCRIPTION	QTY.	REV.	
102	0800378	Standard 40H with Hydraulic Controls			
		Prior to February 1990			
	0800647	February 1990 to Present			
	0801099	800 LBS. Capacity with Hydraulic Controls			
	0800378	46H/40H+6 with Standard Controls			
	0960957	Bushing, Bronze	2		
	103		Fly Weldment Options:	1	
			Standard 40H with Standard Controls		
	104	0800377	Prior to June 1985		
		0800415	June 1985 to Present		
0800415		800 LBS. Capacity with Standard Controls			
0800576		Standard 40H with Hydraulic Controls			
0800576		800 LBS. Capacity with Hydraulic Controls			
0800469		46H/40H+6 with Standard Controls			
3421069		Pin (Slave Cylinder Attach) with Standard/Hydraulic Controls	1		
See Figure 3-5		46H/40H+6 with Standard Controls			
105		4740006	Washer, Hardened with Standard/Hydraulic Controls	1	
106		See Figure 3-5	46H/40H+6 with Standard Controls		
107		Tube Options:	1		
		Standard 40H with Standard Controls			
	4562557	Prior to May 1985			
	1180152	May 1985 to Present			
	1180152	800 LBS. Capacity with Standard Controls			
		Standard 40H with Hydraulic Controls			
	1180183	Prior to July 1990			
	1180263	July 1990 to Present			
	1180263	800 LBS. Capacity with Hydraulic Controls			
	1180152	46H/40H+6 with Standard Controls			
	1180103	Carrier	1		
	7006132	One Foot Section (2A Version through 1989)	A/R		
	7006140	One Foot Section (2CP Version 1990 to Present)	A/R		
	7006121	Mounting Feet (2A Version through 1989)	A/R		
	7006149	Mounting Feet (2CP Version 1990 to Present)	A/R		
	7006137	Pin Kit (Includes 1 pin, 1 Retaining Ring & 4 Washers) (2A Version through 1989)	A/R		
	7006152	Pin Kit (Includes 1 pin, 1 Retaining Ring & 4 Washers) (2CP 1990 to Present)	A/R		
		<b>Note: 2A version powertrack has a link height of 1 3/4" and the pin are 2 1/2" apart (center to center) 2CP version powertrack has a link height of 2" and the pin are 3" apart (center to center)</b>			
	1180180	Carrier (800 LBS. Capacity with Hydraulic Controls Only)	1		
	7006190	One Foot Section	A/R		
7006143	Mounting Feet	A/R			
7006138	Pin Kit (Includes 1 link pin, 1 retaining ring & 4 washers of various thicknesses)	A/R			

## SECTION 3 BOOM

**FIGURE 3-1. 2 SECTION BOOM ASSEMBLIES (CONTINUED)**

FIG & ITEM #	PART NUMBER	DESCRIPTION	QTY.	REV.
108		Platform Level Cylinder Assembly Options (See Section 5 for Breakdown)	1	
		Standard 40H with Standard Controls		
	1681518	Prior to July 1985		
	1681548	July 1985 to January 1987		
	1681722	January 1987 to April 1992		
	1682602	April 1992 to S/N 33111		
	1683534	S/N 33111 to Present		
		800 LBS. Capacity with Standard Controls		
	1681722	Prior to April 1992		
	1682602	April 1992 to S/N 33111		
	1683534	S/N 33111 to Present		
		Standard 40H with Hydraulic Controls		
	1681722	Prior to April 1992		
	1682602	April 1992 to S/N 33111		
1683534	S/N 33111 to Present			
	800 LBS. Capacity with Hydraulic Controls			
1682602	Prior to S/N 33111			
1683534	S/N 33111 to Present			
	See Figure 3-5	46H/40H+6 with Standard Controls		
109	2160002	Fitting, Grease (Not Used on 46H/40H+6 with Standard Controls)	1	
110		Cable, Electrical Options:	A/R	
	1060229	Cable, Electrical - 16/30 (Standard 40H with Standard Controls) (Prior to S/N 52885)	56.5 ft.	
	1060516	Cable, Electrical - 16/30 (Standard 40H with Standard Controls) (S/N 52885 to Present)	56.5 ft.	
	1060229	Cable, Electrical - 16/30 (800 LBS. Capacity) (Production)	56.5 ft.	
	1060516	Cable, Electrical - 16/30 (800 LBS. Capacity) (Post Production)	56.5 ft.	
	1060039	Cable, Electrical - 16/24 (Standard 40H with Hydraulic Controls)	56.5 ft.	
	1060039	Cable, Electrical - 16/24 (800 LBS. Capacity with Hydraulic Controls)	56.5 ft.	
	1060229	Cable, Electrical - 16/30 (46H/40H+6 with Standard Controls) (Prior to S/N 52885)	68.5 ft.	
	1060516	Cable, Electrical - 16/30 (46H/40H+6 with Standard Controls) (S/N 52885 to Present)	68.5 ft.	
111		Harness - 110 Volt Options:	1	
	4920415	Standard 40H with Standard Controls		
	4920415	800 LBS. Capacity with Standard Controls		
	4920415	Standard 40H with Hydraulic Controls		
	Not Required	800 LBS. Capacity with Hydraulic Controls		
	4920866	46H/40H+6 with Standard Controls		
112	4843106	Tube, Crossover (Standard 40H with Hydraulic Controls Only)	1	
113	1320171	Clamp (Standard 40H with Hydraulic Controls Only)	1	
114	3311602	Nut, Jam 3/8"-16NC (Standard 40H with Hydraulic Controls Only)	4	



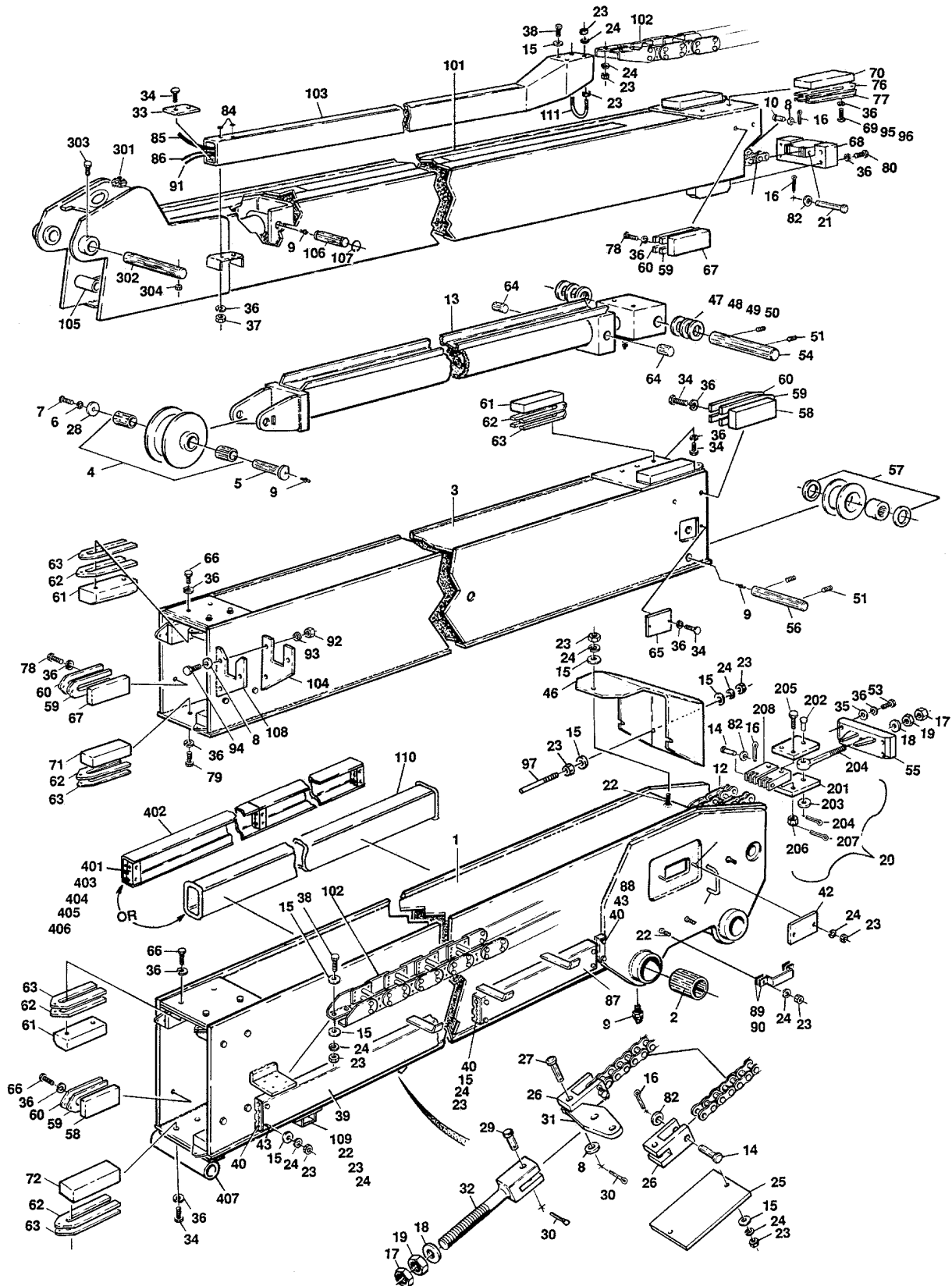
# SECTION 3 BOOM

**FIGURE 3-1. 2 SECTION BOOM ASSEMBLIES (CONTINUED)**

FIG & ITEM #	PART NUMBER	DESCRIPTION	QTY.	REV.
	0236490	<b>HYDRAULIC LINE SUPPORT INSTALLATION (MACHINES WITH STEERING WHEEL OR EXTEND-A-REACH OPTIONS)</b>	Ref.	B
201	4340447	Support	3	
202	4060568	Shield	2	
203	4300036	Stud (Welded on Part)	6	
204	4751400	Flatwasher 1/4"	6	
205	4761400	Lockwasher 1/4"	6	
206	3311401	Nut 1/4"-20NC	6	
207	4842025	Boom Hose Weldment	1	
	0800377	<b>FLY WELDMENT</b>	Ref.	
	0800415	<b>FLY WELDMENT</b>	Ref.	
301	1320052	Clamp, Hose (Welded on Part)	1	
302	3421088	Pin, Boom Nose	1	
303	0641622	Bolt 3/8"-16NC x 2 3/4"	1	
304	3311605	Locknut 3/8"-16NC	1	

# SECTION 3 BOOM

## FIGURE 3-2. 3 SECTION BOOM ASSEMBLIES



SECTION 3 BOOM

# SECTION 3 BOOM

**FIGURE 3-2. 3 SECTION BOOM ASSEMBLIES**

FIG & ITEM #	PART NUMBER	DESCRIPTION	QTY.	REV.
		<b>BOOM ASSEMBLY (STANDARD PARTS)</b>	Ref.	
1	0800401	Base Weldment	1	
2	0960651	Bushing, Bronze	2	
3	0800399	Mid Weldment	1	
4	0237564	Sheave Assembly	1	
	0960406	Bushing	2	
5	3421348	Pin, Sheave	1	
6	4761800	Lockwasher 1/2"	1	
7	0651808	Bolt 1/2"-20NF x 1"	1	
8	4751500	Flatwasher 5/16"	8	
9	2160002	Fitting, Grease	5	
10	3420650	Pin, Clevis (Retract Chain)	2	
11	1260164	Chain, Retract	1 set	
12	1260165	Chain, Extend	1 set	
13	1681543	Telescope Cylinder Assembly (See Section 5 for Break-down)	1	
14	3420414	Pin, Clevis	4	
15	4751400	Flatwasher 1/4"	A/R	
16	3450203	Pin, Cotter 1/8" x 3/4"	7	
17	3300241	Locknut 3/4"-10NC Grade 8	2	
18	4740057	Washer, Hardened	2	
19	3312202	Nut, Jam 3/4"-10NC	2	
20	0236044	Chain Adjuster Assembly (See Items 201-209 for Breakdown)	1	
21	3421029	Pin, Clevis	1	
22	4300031	Stud (Welded on Part)	A/R	
23	3311401	Nut 1/4"-20NC	A/R	
24	4761400	Lockwasher 1/4"	A/R	
25	1670319	Plate, Cover	1	
26	1360160	Clevis, Chain Attach	2	
27	3420867	Pin, Chain Attach	2	
28	4740003	Washer, Hardened	1	
29	3420865	Pin, Adjuster	1	
30	3450403	Pin, Cotter 1/4" x 3/4"	3	
31	3509928	Plate, Clevis	1	
32	1360100	Clevis, Adjuster	1	
33	4280242	Strip, Reinforcement	1	
34	0641608	Bolt 3/8"-16NC x 1"	18	
35	4751600	Flatwasher 3/8"	A/R	
36	4761600	Lockwasher 3/8"	56	
37	3311601	Nut 3/8"-16NC	A/R	
38	0641407	Bolt 1/4"-20NC x 7/8"	A/R	
39	4060595	Shield	1	
40	4340413	Support, Line	4	
41	Not Used			
42	1670321	Cover, Side	1	
43	4300042	Stud	8	
44 to 45	Not Used			

# SECTION 3 BOOM

**FIGURE 3-2. 3 SECTION BOOM ASSEMBLIES (CONTINUED)**

FIG & ITEM #	PART NUMBER	DESCRIPTION	QTY.	REV.
46	4840627	Shield, Boom End	1	
47	4740102	Washer, Spacer .25	1	
48	4740136	Washer, Spacer .31	1	
49	4740137	Washer, Spacer .38	1	
50	4740138	Washer, Spacer .38	1	
51	3951608	Setscrew 3/8"-16NC x 1"	4	
52	0100011	Loctite #242 (Not Shown)	A/R	
53	0641616	Bolt 3/8"-16NC x 2"	4	
54	3420420	Pin (Telescope Cylinder Attach)	1	
55	4842043	Block, Chain Attach	1	
56	3421145	Pin, Sheave	2	
57	0233389	Sheave Assembly	2	C
	0960406	Bearing (March 1993 to Present) (1 Per Assembly)	2	
	0440082	Bearing (Prior to March 1993) (1 Per Assembly)	2	
	3960212	Seal (Prior to March 1993 Only) (2 Per Assembly)	4	
58	3340404	Pad, Wear	6	
59	4070546	Shim 1/32"	A/R	
60	4070547	Shim 1/16"	A/R	
61	3340263	Pad, Wear	6	
62	4070544	Shim 1/16"	A/R	
63	4070545	Shim 1/8"	A/R	
64	3420645	Pin, Trunion	2	
65	0360372	Bar	2	
66	0641605	Bolt 3/8"-16NC x 5/8"	8	
67	3340450	Pad, Wear	6	
68	0236521	Block, Chain Attach	1	
69	0641606	Bolt 3/8"-16NC x 3/4"	4	
70	3340453	Pad, Wear	2	
71	3340446	Pad, Wear	2	
72	3340261	Pad, Wear	2	
73 to 75	Not Used			
76	4070508	Shim 1/16"	A/R	
77	4070507	Shim 1/8"	A/R	
78	0641607	Bolt 3/8"-16NC x 7/8"	12	
79	0641609	Bolt 3/8"-16NC x 1 1/8"	4	
80	0641613	Bolt 3/8"-16NC x 1 5/8"	4	
81	0641410	Bolt 1/4"-20NC x 1 1/4"	3	
82	4741000	Flatwasher, Special	7	
83	Not Used			
84	3520029	Plug, Hole	2	
85		Cable, Electrical - 16/30 Options:	A/R	
	1060229	40H (Production)	56.5 ft.	
	1060516	40H (Post Production)	56.5 ft.	
	1060229	46H/40H+6 (Production)	68.5 ft.	
	1060516	46H/40H+6 (Post Production)	68.5 ft.	
86	1060012	Cable, Electrical - 12/4	A/R	
		40H	57.3 ft.	
		46H/40H+6	68.5 ft.	
87	4060623	Shield	1	

# SECTION 3 BOOM

**FIGURE 3-2. 3 SECTION BOOM ASSEMBLIES (CONTINUED)**

FIG & ITEM #	PART NUMBER	DESCRIPTION	QTY.	REV.
88	3311402	Nut, Jam 1/4"-20NC	2	
89	1320137	Clamp	1	
90	4280033	Seal	A/R	
91	4920618	Harness - 110V (Prior to August 1994)	1	
92	3311501	Nut 5/16"-18NC	3	
93	4761500	Lockwasher 5/16"	3	
94	0641506	Bolt 5/16"-18NC x 3/4"	3	
95	1380124	Clip, Retainer (March 1987 to June 1995)	8	
96	4920986	Wire, Mechanics (March 1987 to June 1995)	A/R	
97	4300087	Stud (Welded on Part - Used After April 1990)	2	
98	1670836	Cover, Boom (Not Shown)	6	
		<b>BOOM ASSEMBLY (VARIABLE PARTS)</b>	Ref.	
	0800400	<b>40H WITH STANDARD CONTROLS</b>	Ref.	21
	0800699	<b>40H WITH HYDRAULIC CONTROLS</b>	Ref.	10
	0800589	<b>46H/40H+6 WITH STANDARD CONTROLS (NOT SHOWN)</b>	Ref.	6
101		Fly Weldment (See Items 301-304) Options:	1	
	0800416	40H with Standard Controls		
	0800416	40H with Hydraulic Controls		
	0800583	46H/40H+6 with Hydraulic Controls		
102		Carrier Options:	1	
		40H with Standard Controls		
	1180140	Carrier		
	7006140	One Foot Section	A/R	
	7006148	Mounting Feet	2 Pair	
	7006152	Pin Kit (Includes 1 pin, 1 Retaining Ring & 4 Washers)	A/R	
	1180259	40H with Hydraulic Controls		
	1180140	46H/40H+6 with Hydraulic Controls		
103		Tube Options:	1	
	1180139	40H with Standard Controls		
	1180269	40H with Hydraulic Controls		
	1180139	46H/40H+6 with Hydraulic Controls		
104		Support, Tube Options:	1	
	4340453	40H with Standard Controls		
	4340562	40H with Hydraulic Controls		
	4340453	46H/40H+6 with Hydraulic Controls		
105		Platform Level Cylinder Assembly Options: (See Section 5 for Breakdown)	1	
		40H with Standard Controls		
	1681518	Prior to July 1985		
	1681548	July 1985 to January 1987		
	1681722	January 1987 to April 1992		
	1682602	April 1992 to S/N 33111		
	1683534	S/N 33111 to Present		
	4340562	40H with Hydraulic Controls		
	1681722	Prior to April 1992		
	1682602	April 1992 to S/N 33111		

# SECTION 3 BOOM

**FIGURE 3-2. 3 SECTION BOOM ASSEMBLIES (CONTINUED)**

FIG & ITEM #	PART NUMBER	DESCRIPTION	QTY.	REV.
105 (cont'd)	1683534	S/N 33111 to Present		
	See Figure 3-5	46H/40H+6 with Hydraulic Controls		
106	3421207	Pin, Attach Options:	1	
	See Figure 3-5	40H with Standard/Hydraulic Controls		
		46H/40H+6 with Hydraulic Controls		
107	3760133	Ring, Retaining Options:	2	
	See Figure 3-5	40H with Standard/Hydraulic Controls		
		46H/40H+6 with Hydraulic Controls		
108		Support, Tube Options:	1	
	4340454	40H with Standard Controls		
	4340561	40H with Hydraulic Controls		
	4340454	46H/40H+6 with Hydraulic Controls		
		<b>Note: Items 109-112 Used on Machines Hydraulic Controls Only</b>	Ref.	
109	4843106	Hose Tube Weldment	1	
110	4843685	Hose Tube Weldment	1	
111	1320171	Clamp	1	
112	3841091	Rod, Support	1	
	0236044	<b>CHAIN ADJUSTER ASSEMBLY</b>	Ref.	B
201	3509182	Plate, Chain Adjuster	2	
202	3421142	Pin, Clevis	1	
203	4712200	Flatwasher 1/2" Narrow	1	
204	3450505	Pin, Cotter 5/32" x 1 1/4"	1	
205	0630347	Bolt 1/2"-13NC x 2 1/4" Grade 8	2	
206	3311803	Nut, Slotted 1/2"-13NC	2	
207	3450405	Pin, Cotter 1/8" x 1 1/4"	2	
208	0560554	Block, Chain Attach	1	
209	0630374	Eyebolt	1	
	0800416	<b>FLY WELDMENT</b>	Ref.	
301	1320052	Clamp (Welded on Part)	1	
302	3421088	Pin, Boom Nose	1	
303	0641622	Bolt	1	
304	3311605	Nut	1	
	0236534	<b>HYDRAULIC SUPPORT LINES INSTALLATION (MACHINES WITH STEERING WHEEL OR EXTEND-A-REACH OPTIONS)</b>	Ref.	A
401	4340447	Support, Line	3	
402	4060595	Shield	2	
403	4300036	Stud (Welded on Part)	6	
404	4751400	Flatwasher 1/4"	6	
405	4761400	Lockwasher 1/4"	6	
406	3311401	Nut 1/4"-20NC	6	
407	4842047	Boom Nose Weldment	1	

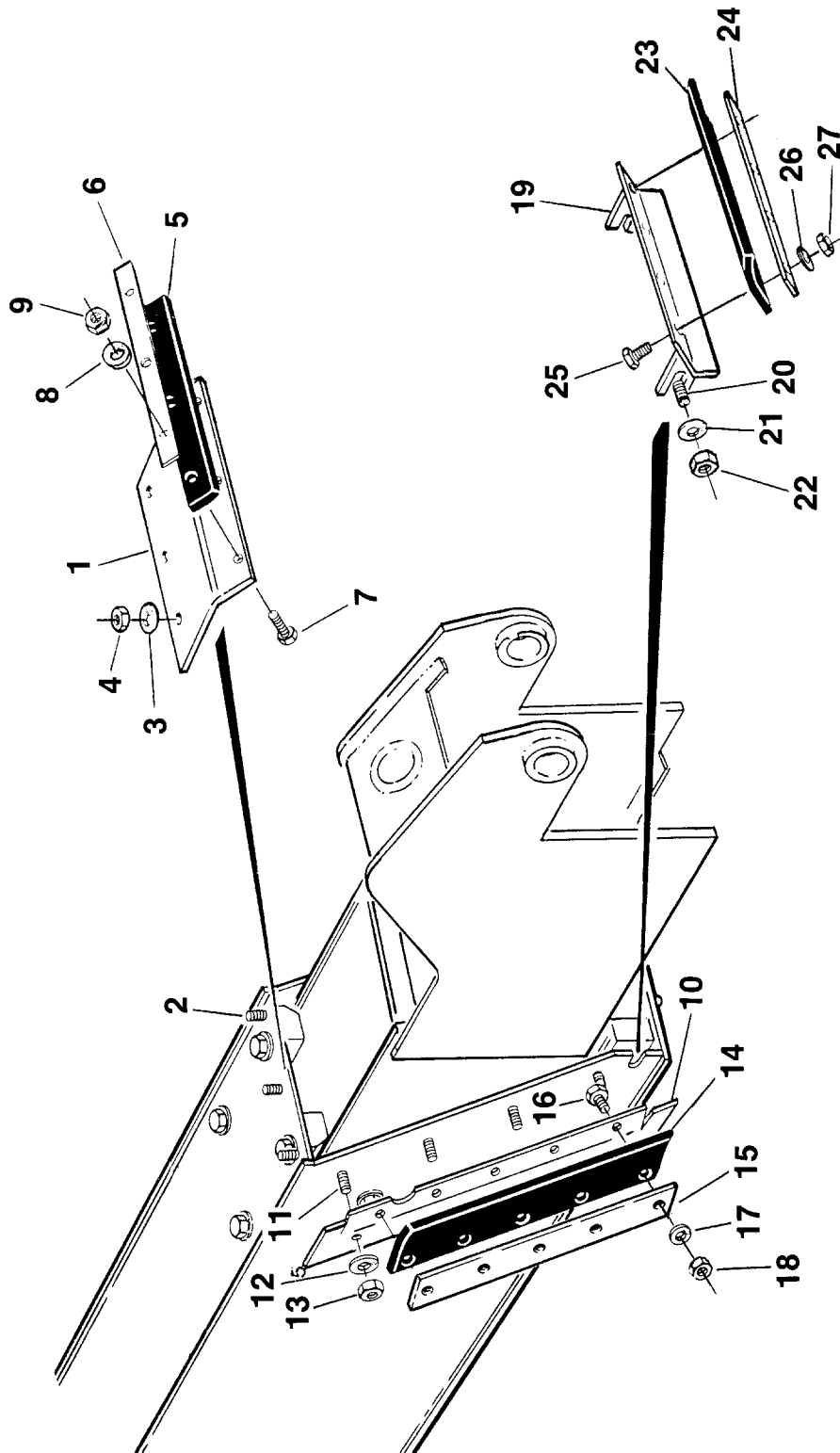
# SECTION 3 BOOM

FIGURE 3-2. 3 SECTION BOOM ASSEMBLIES (CONTINUED)

FIG & ITEM #	PART NUMBER	DESCRIPTION	QTY.	REV.

# SECTION 3 BOOM

FIGURE 3-3. BOOM WIPERS INSTALLATION (2 SECTION)





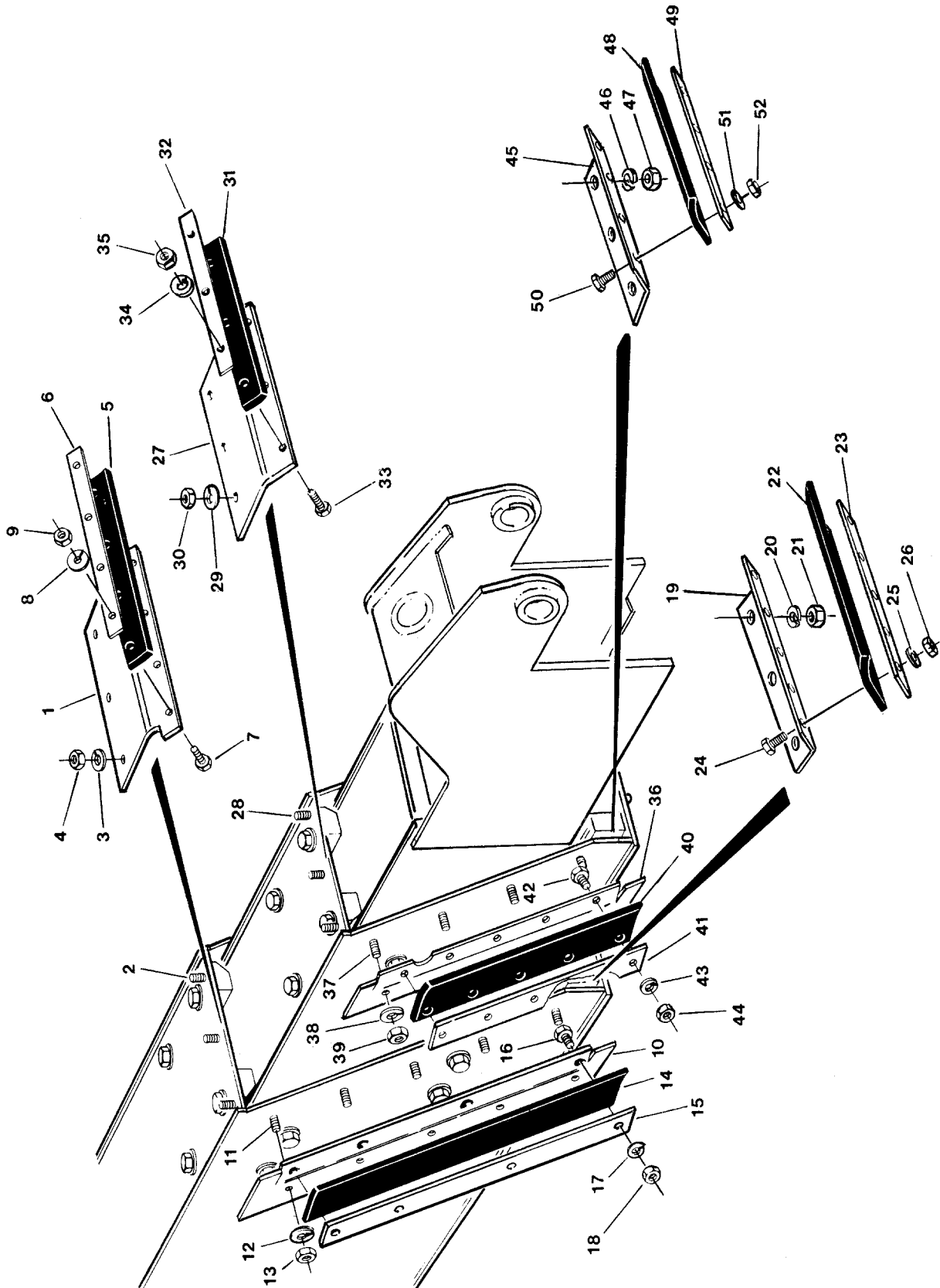
# SECTION 3 BOOM

**FIGURE 3-3. BOOM WIPERS INSTALLATION (2 SECTION)**

FIG & ITEM #	PART NUMBER	DESCRIPTION	QTY.	REV.
	0236440	<b>BOOM WIPERS INSTALLATION (2 SECTION)</b>	Ref.	B
1	2660014	Holder, Boom Wiper	1	
2	4300031	Stud (Welded On Part) 1/4"-20NC x 5/8"	3	
3	4751400	Flatwasher 1/4"	3	
4	3311401	Nut 1/4"-20NC	3	
5	0540045	Blade, Wiper	1	
6	4280195	Strip, Wiper Retainer	1	
7	0641407	Bolt 1/4"-20NC x 7/8"	3	
8	4751400	Flatwasher 1/4"	3	
9	3311401	Nut 1/4"-20NC	3	
10	2660064	Holder, Boom Wiper - Left Side (Shown)	1	
	2660063	Holder, Boom Wiper - Right Side (Not Shown)	1	
11	4300031	Stud (Welded on Part) 1/5"-20NC x 5/8"	4	
12	4751400	Flatwasher 1/4"	4	
13	3311401	Nut 1/4"-20NC	4	
14	0540046	Blade, Wiper	2	
15	4280196	Strip, Wiper Retainer	2	
16	0641407	Bolt 1/4"-20NC x 7/8"	10	
17	4751400	Flatwasher 1/4"	10	
18	3311401	Nut 1/4"-20NC	10	
19	2660061	Holder	1	
20	4300034	Stud (Welded on Part) 3/8"-16NC x 1"	2	
21	4751600	Flatwasher 1/4"	2	
22	3311601	Nut 3/8"-16NC	2	
23	0540047	Blade, Wiper	1	
24	4280197	Strip, Wiper Retainer	1	
25	0641407	Bolt 1/4"-20NC x 7/8"	4	
26	4751400	Flatwasher 1/4"	4	
27	3311401	Nut 1/4"-20NC	4	

# SECTION 3 BOOM

FIGURE 3-4. BOOM WIPERS INSTALLATION (3 SECTION)



# SECTION 3 BOOM

**FIGURE 3-4. BOOM WIPERS INSTALLATION (3 SECTION)**

FIG & ITEM #	PART NUMBER	DESCRIPTION	QTY.	REV.
	0235306	<b>BOOM WIPERS INSTALLATION (3 SECTION)</b>	Ref.	B
1	2660021	Holder, Boom Wiper (Top-Base Section)	1	
2	4300031	Stud (Welded on Part) 1/4"-20NC x .63	3	
3	4761400	Lockwasher 1/4"	3	
4	3311401	Nut 1/4"-20NC	3	
5	0540054	Blade, Wiper	1	
6	4280210	Strip, Wiper Retainer	1	
7	0641407	Bolt 1/4"-20NC x .87	5	
8	4751400	Flatwasher 1/4"	5	
9	3311401	Nut 1/4"-20NC	5	
10	2660025	Holder, Boom Wiper (Right Side Base Section - Not Shown)	1	
	2660026	Holder, Boom Wiper (Left Side Base Section - Shown)	1	
11	4300031	Stud (Welded on Part) 1/4"-20NC x .63	8	
12	4761400	Lockwasher 1/4"	8	
13	3311401	Nut 1/4"-20	8	
14	0540055	Blade, Wiper	2	
15	4280211	Strip, Wiper Retainer	2	
16	0641407	Bolt 1/4"-20NC x .87	10	
17	4751400	Flatwasher 1/4"	10	
18	3311401	Nut 1/4"-20NC	10	
19	2660020	Holder, Boom Wiper (Bottom Base Section)	1	
	4300031	Stud (Welded on Part) 1/4"-20NC x .63	3	
20	4761400	Lockwasher 1/4"	3	
21	3311401	Nut 1/4"-20NC	3	
22	0540053	Blade, Wiper	1	
23	4280209	Strip, Wiper Retainer	1	
24	0641407	Bolt 1/4"-20NC x .87	5	
25	4751400	Flatwasher 1/4"	5	
26	3311401	Nut 1/4"-20NC	5	
27	2660022	Holder, Boom Wiper (Top-Mid Section)	1	
28	4300031	Stud (Welded on Part) 1/4"-20NC x .63	3	
29	4761400	Lockwasher 1/4"	3	
30	3311401	Nut 1/4"-20NC	3	
31	0540052	Blade, Wiper	1	
32	4280208	Strip, Wiper Retainer	1	
33	0641407	Bolt 1/4"-20NC x .87	5	
34	4751400	Flatwasher 1/4"	5	
35	3311401	Nut 1/4"-20NC	5	
36	2660023	Holder, Boom Wiper (Right Side Mid-Section - Not Shown)	1	
	2660024	Holder, Boom Wiper (Left Side Mid-Section - Shown)	1	
37	4300031	Stud (Welded on Part) .25"-20NC x .63	8	
38	4761400	Lockwasher 1/4"	8	
39	3311401	Nut 1/4"-20NC	8	
40	0540056	Blade, Wiper	2	
41	4280212	Strip, Wiper Retainer	2	
42	0641407	Bolt 1/4"-20NC x .87	10	

# SECTION 3 BOOM

SECTION  
3  
BOOM

FIGURE 3-4. BOOM WIPERS INSTALLATION (3 SECTION) (CONTINUED)

FIG & ITEM #	PART NUMBER	DESCRIPTION	QTY.	REV.
43	4751400	Flatwasher 1/4"	10	
44	3311401	Nut 1/4"-20NC	10	
45	2660019	Holder, Boom Wiper (Bottom Mid-Section)	1	
	4300031	Stud (Welded on Part) .25"-20NC x .63	3	
46	4761400	Lockwasher 1/4"	3	
47	3311401	Nut 1/4"-20NC	3	
48	0540052	Blade, Wiper	1	
49	4280208	Strip, Wiper Retainer	1	
50	0641407	Bolt 1/4"-20NC x .87	5	
51	4751400	Flatwasher 1/4"	5	
52	3311401	Nut 1/4"-20NC	5	

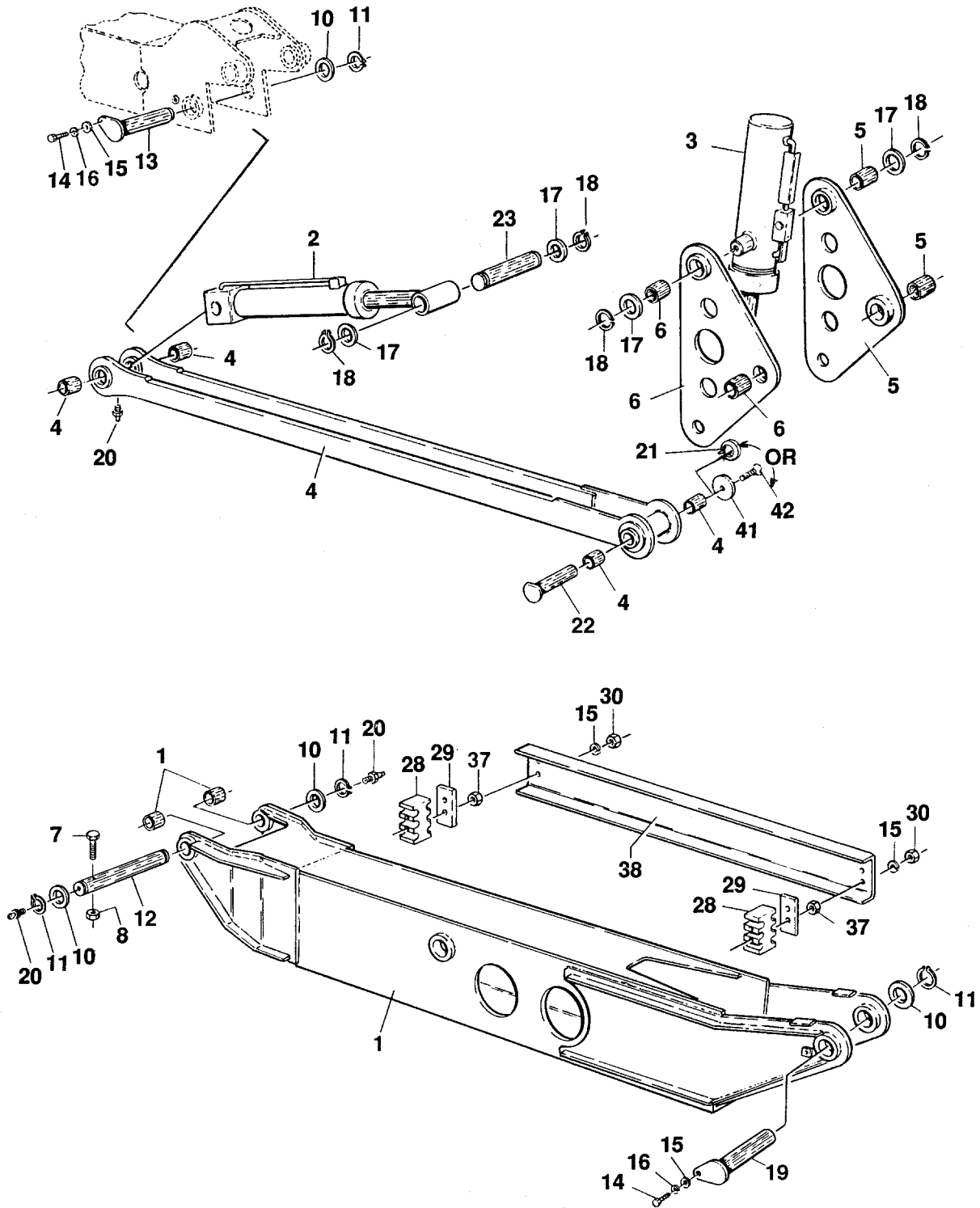
# SECTION 3 BOOM

FIGURE 3-4. BOOM WIPERS INSTALLATION (3 SECTION) (CONTINUED)

FIG & ITEM #	PART NUMBER	DESCRIPTION	QTY.	REV.

# SECTION 3 BOOM

FIGURE 3-5. EXTEND-A-REACH INSTALLATIONS (40H+6 MACHINES)



# SECTION 3 BOOM

**FIGURE 3-5. EXTEND-A-REACH INSTALLATIONS (40H+6 MACHINES)**

FIG & ITEM #	PART NUMBER	DESCRIPTION	QTY.	REV.
		<b>EXTEND-A-REACH INSTALLATION</b>	Ref.	
	0237673	<b>STANDARD (PRIOR TO FEBRUARY 1991)</b>	Ref.	J
	0251632	<b>STANDARD (FEBRUARY 1991 TO S/N 40604)</b>	Ref.	3
	0258949	<b>STANDARD (S/N 40604 TO PRESENT)</b>	Ref.	1
	0251494	<b>CSA (PRIOR TO S/N 40604)</b>	Ref.	4
	0258950	<b>CSA (S/N 40604 TO PRESENT)</b>	Ref.	1
1		Snoot Weldment Options:	1	
	Use 4845930	Prior to S/N 40604 (p/n was 4842579)		
	4845930	S/N 40604 to Present		
		Bushing, Bronze Options:	2	
	0961186	Prior to October 1990		
	0961528	October 1990 to S/N 41849		
	0961654	S/N 41849 to Present		
2	1681730	Extend-A-Reach Lift Cylinder Assembly (See Section 5 for Breakdown)	1	
3		Extend-A-Reach Slave Level Cylinder Assembly (See Section 5 for Breakdown)	1	
	1681791	Cylinder (Prior to February 1991)		
	1682459	Cylinder (February 1991 to S/N 47925)		
	1683494	Cylinder (S/N 47925 to Present)		
4	4842601	Link Weldment	1	
	0961185	Bushing, Bronze (Boom Attach End)	2	
	0961098	Bushing, Bronze (Pivot Plate Attach End)	2	
5	4842606	Plate, Pivot (Right Side)	1	
	0961200	Bushing, Bronze (Front Center)	1	
	0961201	Bushing, Bronze (Top)	1	
6	4842605	Plate, Pivot (Left Side)	1	
	0961200	Bushing, Bronze (Front Center)	1	
	0961201	Bushing, Bronze (Top)	1	
7	0641622	Bolt 3/8"-16NC x 2 3/4"	1	
8	3311605	Locknut 3/8"-16NC	1	
9	0100011	Loctite #242 (Not Shown)	A/R	
10	4740332	Washer, Special	4	
11	3760233	Ring, Retaining	4	
12		Pin Options:	1	
	3421428	Prior to February 1991		
	3421823	February 1991 to Present		
	3421819	CSA		
13	3421511	Pin	1	
14	0641606	Bolt 3/8"-16NC x 3/4"	2	
15	4751600	Flatwasher 3/8"	6	
16	4761600	Lockwasher 3/8"	2	
17	4740333	Washer, Special	4	
18	3760237	Ring, Retainer	4	
19		Pin Options:	1	
	3421513	Standard (Prior to S/N 40604)		
	3422768	Standard (S/N 40604 to Present)		
	3421821	CSA (Prior to S/N 40604)		

# SECTION 3 BOOM

SECTION 3 BOOM

**FIGURE 3-5. EXTEND-A-REACH INSTALLATIONS (40H+6 MACHINES) (CONTINUED)**

FIG & ITEM #	PART NUMBER	DESCRIPTION	QTY.	REV.
	3422766	CSA (S/N 40604 to Present)		
20	2160002	Fitting, Grease	6	
21	3760133	Ring, Retaining (Prior to February 1991)	1	
22		Pin Options:	1	
	3421429	Standard (Prior to February 1991)		
	3421950	Standard (February 1991 to Present)		
	3421950	CSA		
23	3421376	Pin	1	
24 to 27	Not Used			
28	1320145	Clamp	2	
29	0361524	Bar	2	
30	3311605	Locknut 3/8"-16NC	4	
31 to 35	Not Used			
36	4300076	Stud 3/8"-16NC x 3 (Welded on Parts) (Not Shown)	4	
37	3311602	Nut, Jam 3/8"-16NC	4	
38	1670456	Cover, Hose	1	
39	Not Used			
40	2880508	Keystock (Not Shown) (Prior To S/N 44981)	1	
41	4740390	Washer	1	
42	0741606	Screw, Countersunk 3/8"-16NC x 3/4"	1	

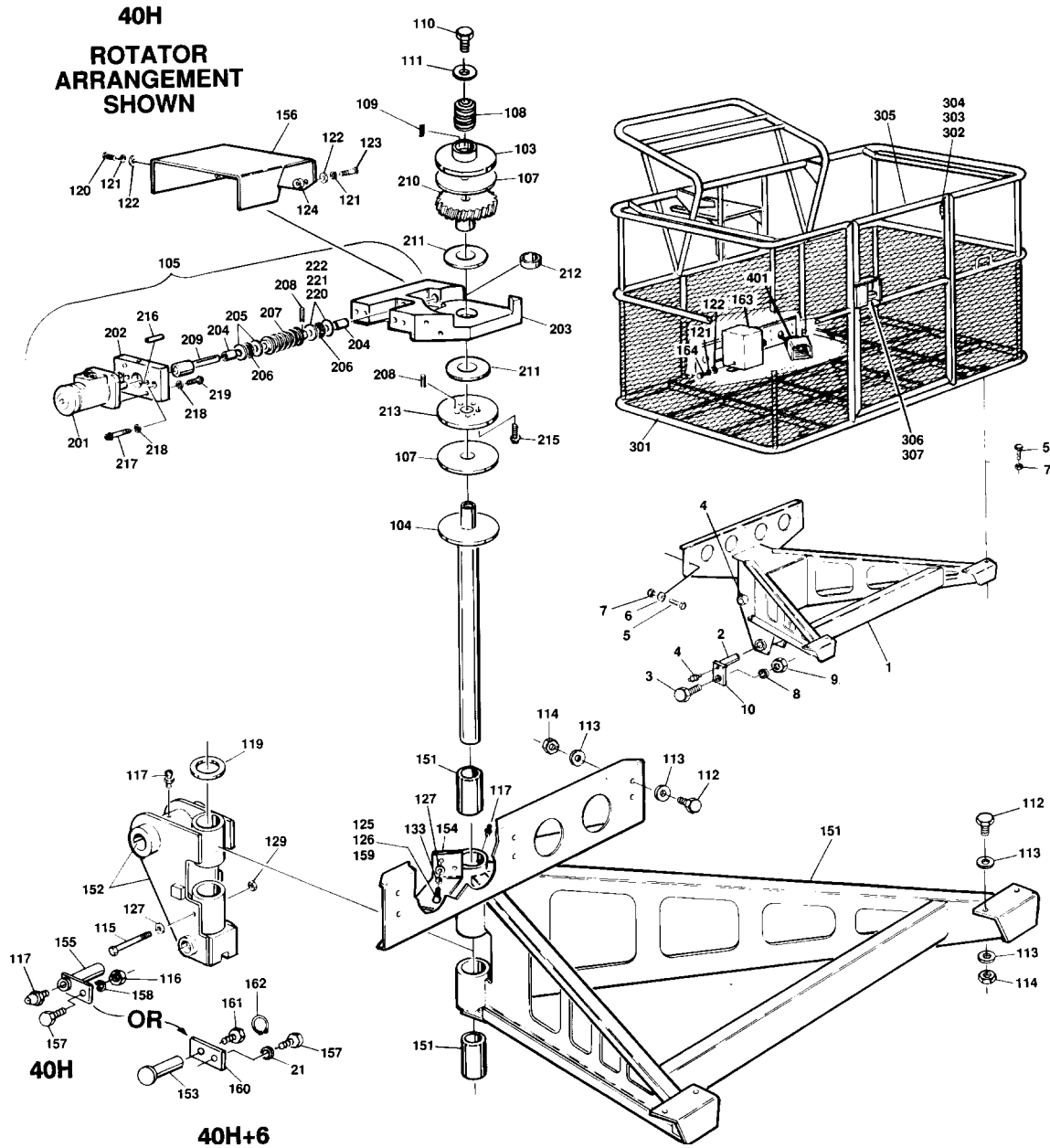


# SECTION 4 PLATFORMS

<b>TABLE OF CONTENTS</b>		
<b>FIGURE</b>	<b>DESCRIPTION</b>	<b>PAGE</b>
4-1	STANDARD PLATFORM AND FOOTSWITCH INSTALLATION . . . . .	4-2
4-2	LOW MOUNT PLATFORM AND FOOTSWITCH INSTALLATION . . . . .	4-10
4-3	ROTATOR MOTOR ASSEMBLY . . . . .	4-16
4-4	CONSOLE BOX ASSEMBLIES - PQ CONTROLLERS WITHOUT PROP TELE (MACHINES BUILT PRIOR TO SEPTEMBER 1991). . . . .	4-18
4-5	CONSOLE BOX ASSEMBLIES - PQ CONTROLLERS WITH PROP TELE (MACHINES BUILT PRIOR TO SEPTEMBER 1991). . . . .	4-22
4-6	CONSOLE BOX ASSEMBLIES - PQ CONTROLLERS AND VICKERS VALVES (MACHINES BUILT SEPTEMBER 1991 TO PRESENT). . . . .	4-26
4-7	CONSOLE BOX ASSEMBLY - OEM CONTROLLERS. . . . .	4-32
4-8	CONSOLE BOX ASSEMBLY - HYDRAULIC CONTROLLERS . . . . .	4-36
4-9	CAPACITY INDICATOR INSTALLATION (OPTIONAL). . . . .	4-40
4-10	OPTIONAL COMMON PLATFORM MOUNTED COMPONENTS . . . . .	4-46

# SECTION 4 PLATFORMS

FIGURE 4-1. STANDARD PLATFORM AND FOOTSWITCH INSTALLATION.



# SECTION 4 PLATFORMS

**FIGURE 4-1. STANDARD PLATFORM AND FOOTSWITCH INSTALLATION.**

FIG & ITEM #	PART NUMBER	DESCRIPTION	QTY.	REV.
	0236830	<b>FIXED SUPPORT INSTALLATION - MACHINES WITHOUT EXTEND-A-REACH</b>	Ref.	A
	0238154	<b>FIXED SUPPORT INSTALLATION - MACHINES WITH EXTEND-A-REACH</b>	Ref.	B
1		Support Weldment Options:	1	
	4842229	Without Extend-A-Reach		
	0961024	Bushing	2	
	4842817	With Extend-A-Reach (Not Shown)		
	0961185	Bushing	2	
2		Pin Options:	1	
	3421176	Without Extend-A-Reach		
		With Extend-A-Reach (Not Shown)		
	3421426	Pin (Prior to January 1991)		
	3421825	Pin (January 1991 to November 1991)		
	3422019	Pin (November 1991 to Present)		
3		Bolt Options:	1	
	0641608	Bolt 3/8"-16NC x 1" (Without Extend-A-Reach)		
	0641405	Bolt 1/4"-20NC x 5/8" (Use After November 1991 Only) (With Extend-A-Reach) (Not Shown)		
4	2160002	Fitting, Grease	A/R	
5	0681610	Bolt 3/8"-16NC x 1 1/4"	10	
6	4751600	Flatwasher 3/8"	A/R	
7		Locknut Options:	10	
	3311605	Locknut 3/8"-16NC Without Extend-A-Reach		
	3300143	Locknut 3/8" With Extend-A-Reach (Not Shown)		
8	4761600	Lockwasher 3/8"	1	
9		Nut 3/8"-16NC Options:	1	
	3311601	Without Extend-A-Reach		
	Not Required	With Extend-A-Reach (Not Shown)		
10		Retainer Options:	1	
		Plate (Part of Item 2) (Without Extend-A-Reach)		
		With Extend-A-Reach (Not Shown) Retainer Options:		
	Not Required	(Prior to January 1991)		
	4740385	Washer (January 1991 to November 1991)		
	0362079	Bar (November 1991 to Present)		
	3900159	Screw, Countersunk 1/2"-13NC x 3/4" (Not Shown - Used After January 1991)	1	
	3760237	Ring, Retaining (Not Shown - Used Prior to January 1991)	1	
		<b>ROTATOR AND SUPPORT INSTALLATION (STANDARD PARTS)</b>	Ref.	
101 to 102	Not Used			
103	1120299	Cap	1	
104		Rotator Shaft Options:	1	
	4842046	Shaft (Standard/Domestic)		
	4040218	Shaft (CSA/2:1 Stability)		
105	0235238	Rotator Assembly (See Items 201-226 for Breakdown)	1	

## SECTION 4 PLATFORMS

FIGURE 4-1. STANDARD PLATFORM AND FOOTSWITCH INSTALLATION. (CONTINUED)

FIG & ITEM #	PART NUMBER	DESCRIPTION	QTY.	REV.
106	Not Used			
107	3340454	Pad, Brake	2	
108	4160026	Washer, Belleville	8	
109	2880404	Key	1	
110	0652014	Bolt 5/8"-18NF x 1 3/4"	1	
111	4752000	Flatwasher 5/8"	1	
112	0681610	Bolt 3/8"-16NC x 1 1/4" (Grade 8)	10	
113	4751600	Flatwasher 3/8"	21	
114	3300143	Locknut 3/8"-16NC	10	
115	0641836	Bolt 1/2"-13NC x 4 1/2"	1	
116	3311601	Nut 3/8"-16NC	1	
117	2160002	Fitting, Grease	4	
118	Not Used			
119	4740158	Washer, Thrust	1	
120	0641404	Bolt 1/4"-20NC x 1/2"	1	
121	4761400	Lockwasher 1/4"	A/R	
122	4751400	Flatwasher 1/4"	A/R	
123	0641408	Bolt 1/4"-20NC x 1"	1	
124	4562083	Spacer	1	
125	0641811	Bolt 1/2"-13NC x 1 3/8"	2	
126	1380137	Clip, Retainer	2	
127	4751800	Flatwasher 1/2"	1	
128	Not Used			
129	3311805	Locknut 1/2"-13NC	1	
130 to 132	Not Used			
133	4761800	Lockwasher 1/2"	2	
	0236831	<b>ROTATOR AND SUPPORT INSTALLATION - STANDARD WITHOUT EXTEND-A-REACH (VARIABLE PARTS)</b>	Ref.	G
	0251459	<b>ROTATOR AND SUPPORT INSTALLATION - CSA WITHOUT EXTEND-A-REACH (VARIABLE PARTS)</b>	Ref.	4
	0237672	<b>ROTATOR AND SUPPORT INSTALLATION - STANDARD WITH EXTEND-A-REACH (VARIABLE PARTS)</b>	Ref.	5
	0251488	<b>ROTATOR AND SUPPORT INSTALLATION - CSA WITH EXTEND-A-REACH (VARIABLE PARTS)</b>	Ref.	4
151		Support Weldment Options:	1	
	0236261	Without Extend-A-Reach		
	4842609	With Extend-A-Reach		
	0960564	Bushing, Bronze	2	
152		Pivot Weldment Options:	1	
	0236741	Without Extend-A-Reach		
	0961024	Bushing, Bronze	2	
		With Extend-A-Reach		
	0237975	Pivot (Prior to January 1991)		
	0251512	Pivot (January 1991 to Present)		
	0961185	Bushing, Bronze	2	

# SECTION 4 PLATFORMS

**FIGURE 4-1. STANDARD PLATFORM AND FOOTSWITCH INSTALLATION. (CONTINUED)**

FIG & ITEM #	PART NUMBER	DESCRIPTION	QTY.	REV.
153	Not Required	Pin Options: Without Extend-A-Reach With Extend-A-Reach	1	
	3421426	Pin (Prior to January 1991)		
	3421825	Pin (January 1991 to November 1991)		
	3422019	Pin (November 1991 to Present)		
154	3200194	Mount Options: Without Extend-A-Reach (Prior to S/N 28572)	1	
	0901411	With Extend-A-Reach (Not Shown) (Prior to S/N 37053)		
155	3421176	Pin Options: Without Extend-A-Reach	1	
	Not Required	With Extend-A-Reach		
156	1670322	Cover, Rotator Options: Without Extend-A-Reach	1	
	1670421	With Extend-A-Reach		
157	0641612	Bolt Options: Bolt 3/8"-16NC x 1 1/2" Without Extend-A-Reach	1	
	0641405	Bolt 1/4"-20NC x 5/8" With Extend-A-Reach (Used after November 1991)		
	0100011	Loctite #242		
158	4761600	Lockwasher 3/8" Options: Without Extend-A-Reach	1	
	Not Required	With Extend-A-Reach		
159	4920986	Wire, Mechanics Options: Without Extend-A-Reach	A/R	
	4920385	With Extend-A-Reach		
160	Not Required	Retainer Options: Without Extend-A-Reach With Extend-A-Reach	1	
	Not Required	Prior to January 1991		
	4740385	Washer (January 1991 to November 1991)		
	0362079	Bar (November 1991 to Present)		
161	Not Required	Screw, Countersunk 1/2"-13NC x 3/4" (Used after January 1991) Options: Without Extend-A-Reach	1	
	3900159	With Extend-A-Reach		
162	Not Required	Ring, Retaining Options: (Prior to January 1991) Without Extend-A-Reach	1	
	3760237	With Extend-A-Reach		
163	Not Required	Cover, Motor Options: Without Extend-A-Reach	1	
	1670422	With Extend-A-Reach		
164	Not Required	Bolt 1/4"-20NC x 3/4" Options: Without Extend-A-Reach	2	
	0641406	With Extend-A-Reach		

## SECTION 4 PLATFORMS

FIGURE 4-1. STANDARD PLATFORM AND FOOTSWITCH INSTALLATION. (CONTINUED)

FIG & ITEM #	PART NUMBER	DESCRIPTION	QTY.	REV.
	0235238	<b>ROTATOR ASSEMBLY</b>	Ref.	E
		<b>Note: For Machines built Prior to September 1991 refer to Service Information Bulletin #91-5 for required upgrade.</b>	Ref.	
201	3160083	Rotator Motor Assembly (See Figure 4-3 for Break-down)	1	
202	0080099	Adapter, Motor	1	
203	2760064	Housing, Gear	1	
204	0440134	Bearing, Sleeve	2	
205	4740199	Washer, Thrust	4	
206	0440120	Bearing, Thrust	2	
207	2440043	Gear, Worm	1	
208	3440816	Rollpin 1/4" x 1"	4	
209	0080098	Adapter, Motor to Worm Gear	1	
210	2440044	Gear, Worm	1	
211	4740256	Washer, Thrust	2	
212	0440135	Bearing, Sleeve	1	
213	1760068	Disc, Brake	1	
214	Not Used			
215	3931010	Bolt, Socket Head #10-24NC x 5/8"	5	
216	3441228	Rollpin 3/8" x 1 3/4"	2	
217	3931620	Bolt, Socket Head 3/8"-16NC x 1 1/4"	2	
218	4761600	Lockwasher 3/8"	6	
219	3931612	Bolt, Socket Head 3/8"-16NC x 3/4"	4	
220	4070585	Shim .010	A/R	
221	4070586	Shim .005	A/R	
222	4070587	Shim .002	A/R	
223	0100019	Loctite #271 (Not Shown)	A/R	
224	0100021	Primer (Not Shown)	A/R	
225	2160001	Fitting, Grease - 90°	1	
226	3020025	Grease (Not Shown)	A/R	
		<b>PLATFORM WELDMENTS</b>	Ref.	
		<b>Note: Replacement Decals Must Be Ordered Separately - See Section 8.</b>	Ref.	
301		Standard Platform Options:	1	
		3' x 4' (91.5cm x 123cm):		
		40H:		
	3510138	Platform (Prior to July 1993)		
	3510438	Platform (July 1993 to Present)		
		40H+6/46H:		
	3510158	Platform (Prior to July 1993)		
	3510439	Platform (July 1993 to Present)		
		3' x 5' (91.5cm x 152.5cm):		
		40H:		
	3510141	Platform with PQ Controllers (Prior to September 1990)		

# SECTION 4 PLATFORMS

**FIGURE 4-1. STANDARD PLATFORM AND FOOTSWITCH INSTALLATION. (CONTINUED)**

FIG & ITEM #	PART NUMBER	DESCRIPTION	QTY.	REV.	
301 (cont'd)	3510150	Platform with OEM Controllers (Prior to September 1990)			
	3510268	Platform (September 1990 to Present)			
	3510234	Platform with Welded-on Bumper			
	3510268	Platform with Chain-Attached Bumper			
	3510353	Platform with Slide-Bar/Kick Plates			
	3510512	Platform with Mesh to Top			
			40H+6/46H:		
	3510271	Platform			
	3510319	Platform with Welded-on Bumper			
	3510271	Platform with Chain Attached Bumper			
			3' x 6' (91.5cm x 183cm):		
			40H:		
	3510148	Platform with PQ Controllers (Prior to September 1990)			
	3510161	Platform with OEM Controllers (Prior to September 1990)			
	3510269	Platform (September 1990 to Present)			
	3510262	Platform with Welded-on Bumper			
	3510269	Platform with Chain Attached Bumper			
			40H+6/46H:		
	3510272	Platform			
	3510320	Platform with Welded-on Bumper			
	3510272	Platform with Chain Attached Bumper			
			3' x 8' (91.5cm x 244cm):		
			40H:		
	3510139	Platform with PQ Controller (Prior to September 1990)			
	3510153	Platform with OEM Controller (Prior to September 1990)			
	3510270	Platform (September 1990 to Present)			
	3510348	Platform with Welded-on Bumper			
	3510270	Platform with Chain Attached Bumper			
3510506	Platform with Mesh to Top Rail				
		Standard Platform Components:			
302	2600095	Pin, Hinge	2		
303	3311805	Locknut 1/2"-13NC	2		
304	2160006	Fitting, Grease	2		
305		Door Options:	1		
	1780145	Door (Prior to September 1990)			
	1780252	Door (September 1990 to Present)			
	1780288	Door With Mesh to Mid Rail			
306	2940006	Latch, Door	1		
307	2560010	Handle	1		

# SECTION 4 PLATFORMS

**SECTION 4 PLATFORMS**

**FIGURE 4-1. STANDARD PLATFORM AND FOOTSWITCH INSTALLATION. (CONTINUED)**

FIG & ITEM #	PART NUMBER	DESCRIPTION	QTY.	REV.
	0237963	<b>FOOTSWITCH INSTALLATION</b>	Ref.	F
401	0641408	Bolt 1/4"-20NC x 1"	3	
	3311405	Locknut 1/4"-20NC	3	
	4740362	Washer, Fender	3	
	4360031	Footswitch	1	
	7000625	Block, Contact	2	
	4460071	Connector, Strain Relief	1	



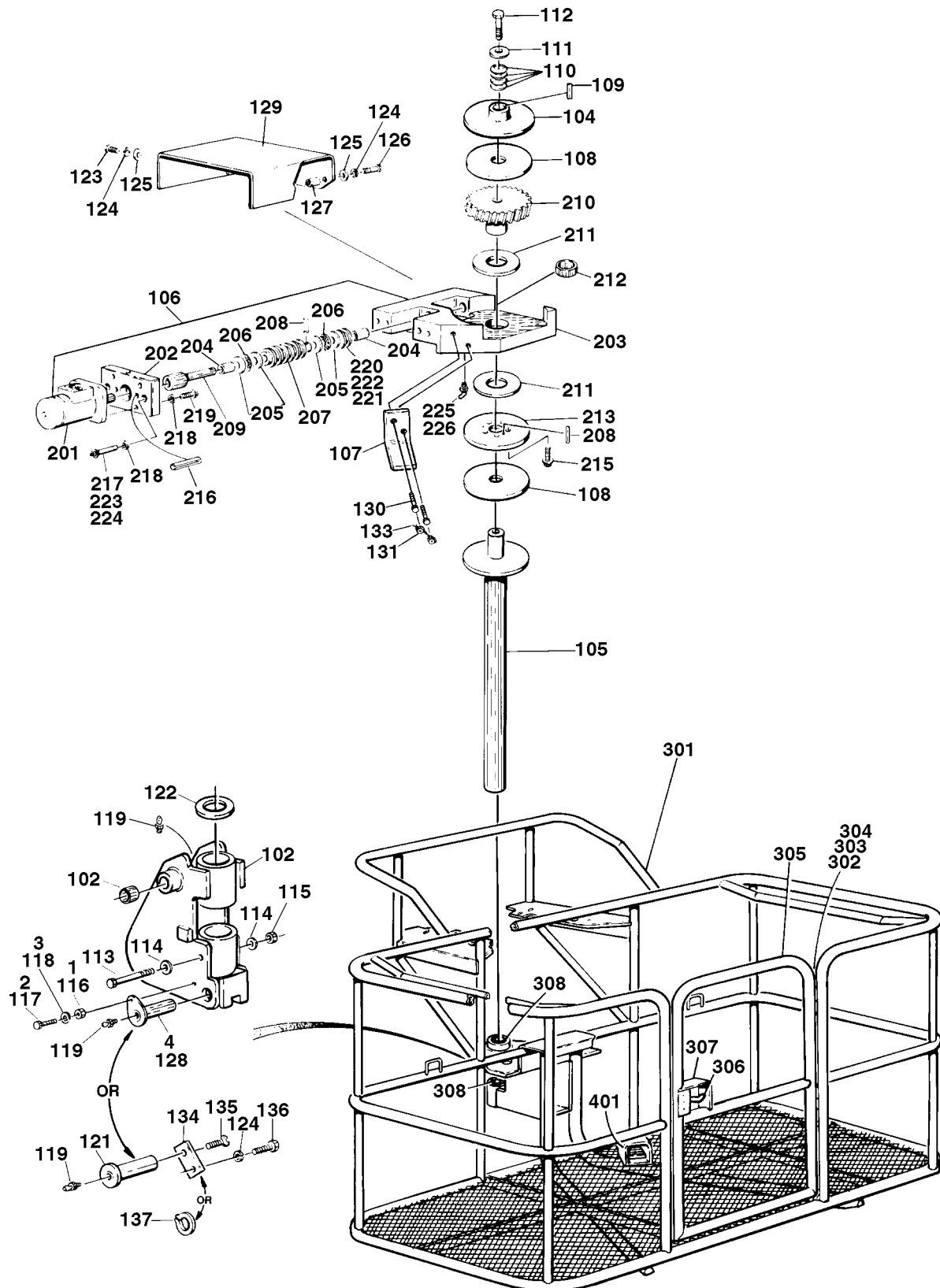
# SECTION 4 PLATFORMS

**FIGURE 4-1. STANDARD PLATFORM AND FOOTSWITCH INSTALLATION. (CONTINUED)**

FIG & ITEM #	PART NUMBER	DESCRIPTION	QTY.	REV.

# SECTION 4 PLATFORMS

FIGURE 4-2. LOW MOUNT PLATFORM AND FOOTSWITCH INSTALLATION.



# SECTION 4 PLATFORMS

**FIGURE 4-2. LOW MOUNT PLATFORM AND FOOTSWITCH INSTALLATION.**

FIG & ITEM #	PART NUMBER	DESCRIPTION	QTY.	REV.
	0250248	<b>FIXED SUPPORT INSTALLATION</b>	Ref.	A
1	3322601	Nut 3/8"-16NC	1	
2	0641609	Bolt 3/8"-16NC x 1 1/8"	1	
3	4761600	Lockwasher 3/8"	1	
4	3421176	Pin Weldment	1	
		<b>ROTATOR AND SUPPORT INSTALLATIONS</b>	Ref.	
	0239341	<b>MACHINES WITHOUT EXTEND-A-REACH (DOMESTIC/STANDARD)</b>	Ref.	8
	0251769	<b>MACHINES WITHOUT EXTEND-A-REACH (CSA/2:1 STABILITY)</b>	Ref.	4
	0239342	<b>MACHINES WITH EXTEND-A-REACH (DOMESTIC/STANDARD)</b>	Ref.	G
	0251770	<b>MACHINES WITH EXTEND-A-REACH (CSA/2:1 STABILITY)</b>	Ref.	D
101	Not Used			
102		Pivot Weldment Options:	1	
	0236741	Machines Without Extend-A-Reach		
	0961024	Bushing, Bronze	2	
		Machines With Extend-A-Reach		
	0237975	Pivot (Prior to March 1991) (Not Shown)		
	0251512	Pivot (March 1991 to Present) (Not Shown)		
	0961185	Bushing, Bronze	2	
103	Not Used			
104	1120299	Cap	1	
105		Shaft Options:	1	
	4842046	Shaft (Domestic/Standard)		
	4040218	Shaft (CSA/2:1 Stability) (Production)		
	4842046	Shaft (CSA/2:1 Stability) (Post Production)		
106	0235238	Rotator Assembly (See Items 101-126 for Break-down)	1	
107		Mount Options:	1	
		Machines Without Extend-A-Reach		
	0901525	Mount (Prior to July 1990)		
	0901721	Mount (July 1990 to S/N 34095)		
	0902414	Mount (S/N 34095 to Present)		
	0901524	Machines With Extend-A-Reach		
108	3340454	Pad, Brake	2	
109	2880404	Key	1	
110	4160026	Washer, Belleville	8	
111	4752000	Flatwasher 5/8"	1	
112	0652014	Bolt 5/8"-18NF x 1 3/4"	1	
113	0641836	Bolt 1/2"-13NC x 4 1/2"	1	
114	4751800	Flatwasher 1/2"	1	
115	3311805	Locknut 1/2"-13NC	1	
116		Nut 3/8"-16NC Options:	1	
	3311601	Machines Without Extend-A-Reach		
	Not Required	Machines With Extend-A-Reach		

## SECTION 4 PLATFORMS

FIGURE 4-2. LOW MOUNT PLATFORM AND FOOTSWITCH INSTALLATION. (CONTINUED)

FIG & ITEM #	PART NUMBER	DESCRIPTION	QTY.	REV.
117	0641608 Not Required	Bolt 3/8"-16NC x 1" Options: Machines Without Extend-A-Reach Machines With Extend-A-Reach	1	
118	4761600 Not Required	Lockwasher 3/8" Options: Machines Without Extend-A-Reach Machines With Extend-A-Reach	1	
119	2160002	Fitting, Grease	A/R	
120	Not Used			
121	Not Required	Pin Options: Machines Without Extend-A-Reach Machines With Extend-A-Reach	1	
	3421426	Pin (Prior to March 1991)		
	3421825	Pin (March 1991 to November 1991)		
	3422019	Pin (November 1991 to Present)		
122	4740158	Washer, Thrust	1	
123	0641404	Bolt 1/4"-20NC x 1/2"	1	
124	4761400	Lockwasher 1/4"	2	
125	4751400	Flatwasher 1/4"	2	
126	0641408	Bolt 1/4"-20NC x 1"	1	
127	4562083	Spacer, Tube	1	
128	Not Required	Pin Options: Machines Without Extend-A-Reach Machines With Extend-A-Reach	1	
	3421176	Machines Without Extend-A-Reach		
	Not Required	Machines With Extend-A-Reach		
129	1670322 1670519 1670630	Cover Options: Machines Without Extend-A-Reach Cover (Prior to July 1990) Cover (July 1990 to April 1992) Cover (April 1992 to Present)	1	
	1670421	Machines With Extend-A-Reach Cover (Prior to November 1992)		
	1670630	Cover (November 1992 to Present)		
130	0641811	Bolt 1/2"-13NC x 1 3/8"	2	
131	1380137	Clip, Retainer	2	
132	Not Used			
133	4920986	Wire, Mechanics	A/R	
134	Not Required	Retainer Options: Machines Without Extend-A-Reach Machines With Extend-A-Reach	1	
	Not Required	Prior to March 1991		
	4740385	Washer (March 1991 to November 1991)		
	0362079	Bar (November 1991 to Present)		
135	Not Required	Screw, Countersunk 1/2"-13NC x 3/4" (Used March 1991 to Present) Options: Machines Without Extend-A-Reach Machines With Extend-A-Reach	1	
	3900159	Machines With Extend-A-Reach		
	0100011	Loctite #242	A/R	
136	Not Required	Bolt 1/4"-20NC x 5/8" Options: Machines Without Extend-A-Reach Machines With Extend-A-Reach	1	
	0641405	Machines With Extend-A-Reach		

# SECTION 4 PLATFORMS

**FIGURE 4-2. LOW MOUNT PLATFORM AND FOOTSWITCH INSTALLATION. (CONTINUED)**

FIG & ITEM #	PART NUMBER	DESCRIPTION	QTY.	REV.
137	Not Required 3760237	Ring, Retainer (Used Prior to March 1991) Options: Machines Without Extend-A-Reach Machines With Extend-A-Reach	1	
	0235238	<b>ROTATOR ASSEMBLY:</b> <b>Note: For Machines Built Prior to September 1991 refer to Service Information Bulletin #91-5 for required upgrade.</b>	Ref. Ref.	E
201	3160083	Rotator Motor Assembly (See Figure 4-3 for Break-down)	1	
202	0080099	Adapter, Motor	1	
203	2760064	Housing, Gear	1	
204	0440134	Bearing, Sleeve	2	
205	4740199	Washer, Thrust	4	
206	0440120	Bearing, Thrust	2	
207	2440043	Gear, Worm	1	
208	3440816	Rollpin 1/4" x 1"	4	
209	0080098	Adapter, Motor to Worm Gear	1	
210	2440044	Gear, Worm	1	
211	4740256	Washer, Thrust	2	
212	0440135	Bearing, Sleeve	1	
213	1760068	Disc, Brake	1	
214	Not Used			
215	3931010	Bolt, Socket Head #10-24NC x 5/8"	5	
216	3441228	Rollpin 3/8" x 1 3/4"	2	
217	3931620	Bolt, Socket Head 3/8"-16NC x 1 1/4"	2	
218	4761600	Lockwasher 3/8"	6	
219	3931612	Bolt, Socket Head 3/8"-16NC x 3/4"	4	
220	4070585	Shim .010	A/R	
221	4070586	Shim .005	A/R	
222	4070587	Shim .002	A/R	
223	0100019	Loctite #271	A/R	
224	0100021	Primer	A/R	
225	2160001	Fitting, Grease - 90°	1	
226	3020025	Grease	A/R	
		<b>PLATFORM WELDMENTS</b>	Ref.	
		<b>Note: Replacement Decals Must Be Ordered Separately - See Section 8.</b>	Ref.	
301		Low Mount Platform Options: 3' x 5' (91.5cm x 152.5cm)	1	
	3510231	Platform - Fixed Support		
	3510194	Platform - Rotating Support (Prior to August 1990)		
	3510276	Platform - Rotating Support (August 1990 to Present)		
	3510254	Platform with Welded-on Bumpers (Standard Controls)		
	3510279	Platform with Welded-on Bumpers (Hydraulic Controls)		

## SECTION 4 PLATFORMS

FIGURE 4-2. LOW MOUNT PLATFORM AND FOOTSWITCH INSTALLATION. (CONTINUED)

FIG & ITEM #	PART NUMBER	DESCRIPTION	QTY.	REV.
301 (cont'd)	3510276	Platform with Chain Attached Bumpers 3' x 6' (91.5cm x 183cm)		
	3510223	Platform - Rotating Support (Prior to August 1990)		
	3510277	Platform - Rotating Support (August 1990 to Present)		
	3510393	Platform with Welded-on Bumpers		
	3510277	Platform with Chain-Attached Bumpers 3' x 8' (91.5cm x 244cm)		
	3510211	Platform - Rotating Support (Prior to August 1990)		
	3510278	Platform - Rotating Support (August 1990 to Present)		
	3510380	Platform with Welded-on Bumpers		
	3510278	Platform with Chain Attached Bumpers		
			Standard Platform Components	A/R
302	2600143	Pin, Hinge	2	
303	3311805	Locknut 1/2"-13NC	2	
304	2160006	Fitting, Grease	2	
305	1780145	Door Weldment (Machines Built Prior to April 1990)	1	
	1780252	Door Weldment (Machines Built August 1990 to Present)	1	
306	2940006	Latch, Door	1	
307	2560010	Handle	1	
308	0960564	Bushing, Bronze	2	
	0237963	<b>FOOTSWITCH INSTALLATION</b>	Ref.	F
401	0641408	Bolt 1/4"-20NC x 1"	3	
	3311405	Locknut 1/4"-20NC	3	
	4740362	Washer, Fender	3	
	4360031	Footswitch	1	
	7000625	Block, Contact	2	
	4460071	Connector, Strain Relief	1	

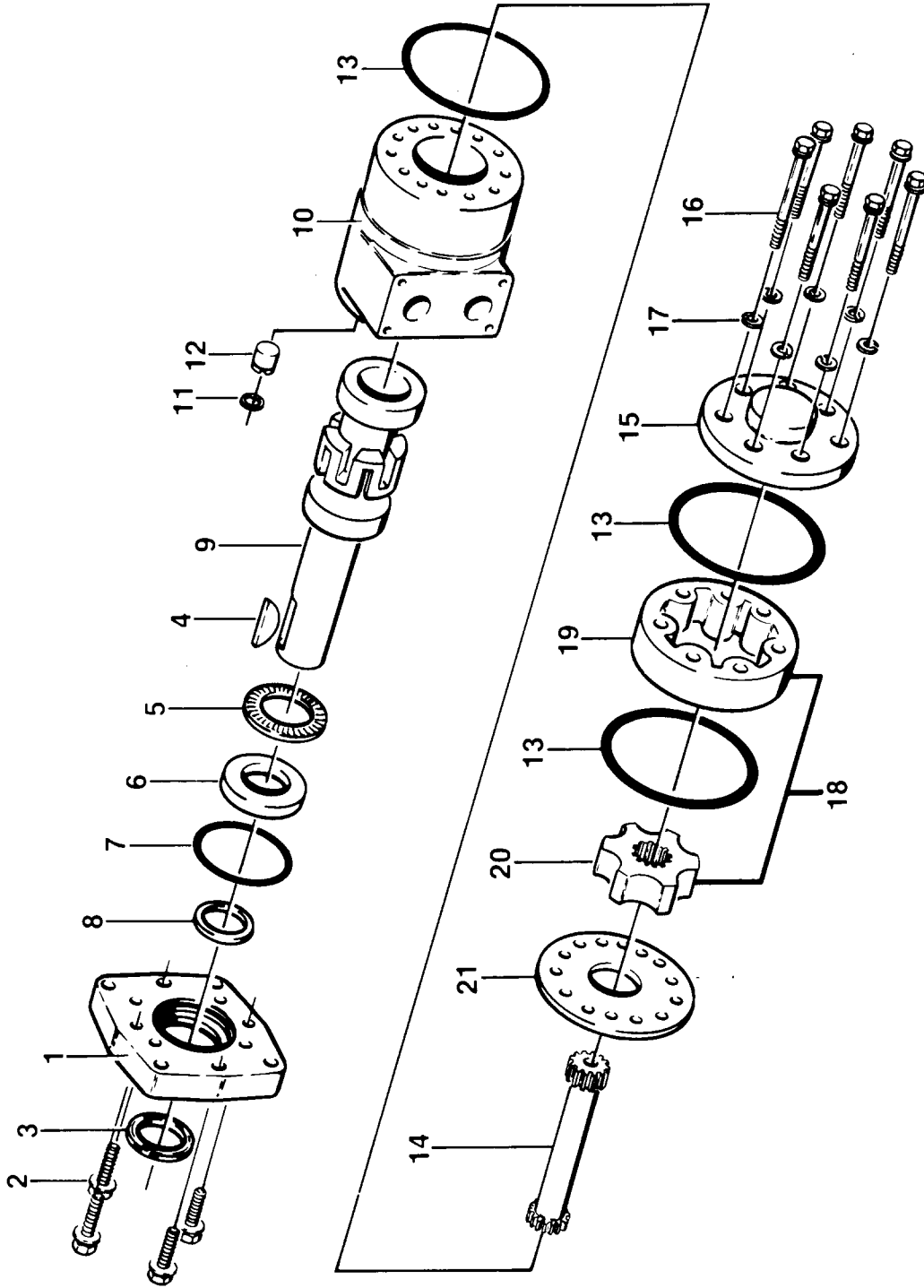
# SECTION 4 PLATFORMS

**FIGURE 4-2. LOW MOUNT PLATFORM AND FOOTSWITCH INSTALLATION. (CONTINUED)**

FIG & ITEM #	PART NUMBER	DESCRIPTION	QTY.	REV.

SECTION 4 PLATFORMS

FIGURE 4-3. ROTATOR MOTOR ASSEMBLY.





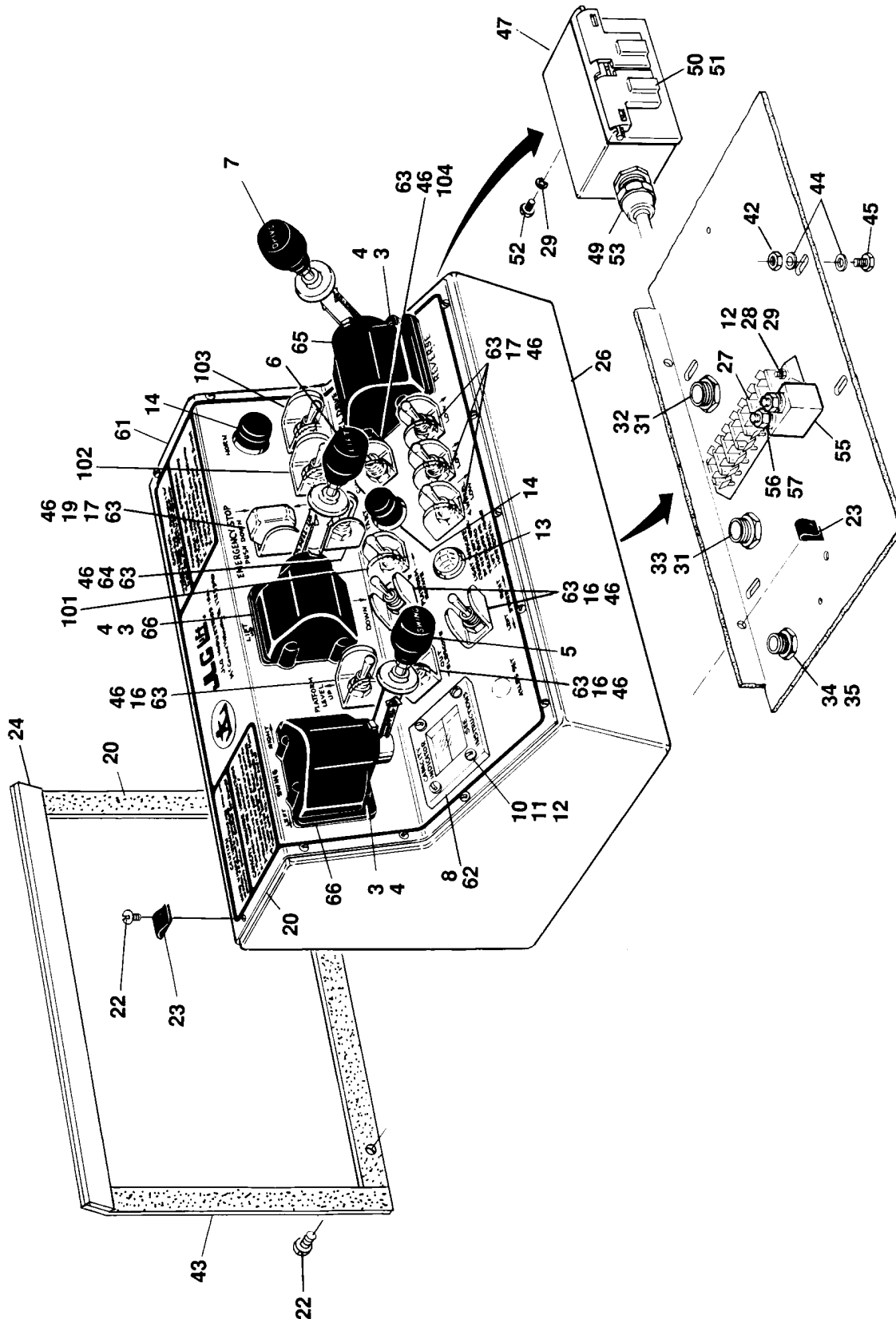
# SECTION 4 PLATFORMS

**FIGURE 4-3. ROTATOR MOTOR ASSEMBLY.**

FIG & ITEM #	PART NUMBER	DESCRIPTION	QTY.	REV.
	3160083	<b>ROTATOR MOTOR ASSEMBLY</b>	Ref.	A
1	7002105	Flange, Mounting	1	
2	7002123	Screw, Cap	4	
3	Kit	Seal, Dust	1	
4	7002104	Key, Woodruff	1	
5	7002111	Bearing, Thrust Needle	1	
6	7002117	Thrust, Bearing Race	1	
7	Kit	Seal, O-Ring	1	
8	Kit	Seal, Pressure	1	
9	7002116	Shaft, Output	1	
10	7002103	Housing	1	
11	Kit	Seal	1	
12	7009992	Plug, Housing	1	
13	Kit	Seal, O-Ring	3	
14	7002112	Drive	1	
15	7002107	Cap, End	1	
16	7002100	Screw, Cap	7	
17	7000166	Lockwasher	7	
18	7002125	Gerotor Sub-Assembly	1	
19	7002110	Plate, Spacer	1	
		-----		
	2900455	Seal Kit (Includes Items 3,7,8,11 and 13) (P/N 101-1009-007)	1	
	2900733	Seal Kit (Includes Items 3,7,8,11 and 13) (P/N's 101-1009-008 and 101-1009-009)	1	
		<b>Note: Identify by P/N stamped on nameplate located on Item 10.</b>	Ref.	

# SECTION 4 PLATFORMS

FIGURE 4-4. CONSOLE BOX ASSEMBLIES - PQ CONTROLLERS WITHOUT PROP TELE (MACHINES BUILT PRIOR TO SEPTEMBER 1991).



# SECTION 4 PLATFORMS

**FIGURE 4-4. CONSOLE BOX ASSEMBLIES - PQ CONTROLLERS WITHOUT PROP TELE (MACHINES BUILT PRIOR TO SEPTEMBER 1991).**

FIG & ITEM #	PART NUMBER	DESCRIPTION	QTY.	REV.
		<b>CONSOLE BOX ASSEMBLY (STANDARD PARTS)</b>	Ref.	
1 to 2	Not Used			
3	0720803	Bolt #8-32NC x 3/8"	12	
4	4760800	Lockwasher #8	12	
5	2560040	Knob, Controller (Swing)	1	
6	2560038	Knob, Controller (Lift)	1	
7	2560041	Knob, Controller (Drive)	1	
8	3960251	Gasket	1	
9	Not Used			
10	3911014	Screw, Round Head #10-24NC x 7/8"	4	
11	4771000	Starwasher #10	4	
12	3311001	Nut #10-24NC	6	
13	2920015	Lamp	1	
14	4360274	Switch, Push Button	2	
15	Not Used			
16	4360202	Switch, Toggle	4	
17	4360199	Switch, Toggle	4	
18	Not Used			
19	4360141	Guard, Switch	1	
20	4420038	Tape, Insulation	34 in.	
21	0100001	Adhesive (Not Shown)	A/R	
22	0751006	Screw #10-24NC x 3/4"	15	
23	3300177	Nut, Tinnerman	15	
24	3960250	Weatherstrip	16"	
25	0100009	Silicone-RTV (Not Shown)	A/R	
26	0860472	Box, Weldment	1	
27	4460263	Strip, Terminal	1	
28	3911012	Screw, Round Head #10-24NC x 3/4"	2	
29	4761000	Lockwasher #10	6	
30	Not Used			
31	3300048	Locknut, Conduit	2	
32	4460071	Connector, Strain Relief	1	
33	4460051	Connector, Strain Relief	1	
34	3300047	Locknut, Conduit	1	
35	4460052	Connector, Strain Relief	1	
36 to 40	Not Used			
41	0100011	Loctite #242 (Not Shown)	A/R	
42	3311405	Locknut 1/4"-20NC	4	
43	3509858	Plate, Rear Cover	1	
44	4751400	Flatwasher 1/4"	8	
45	0641407	Bolt 1/4"-20NC x 7/8"	4	
46	3790012	O-Ring	A/R	
47	0860038	Box, Receptacle	1	
48	Not Used			
49	4460049	Connector, Strain Relief	1	
50	4460190	Receptacle	1	
51	4060092	Shield, Weatherproof	1	

## SECTION 4 PLATFORMS

FIGURE 4-4. CONSOLE BOX ASSEMBLIES - PQ CONTROLLERS WITHOUT PROP TELE (MACHINES BUILT PRIOR TO SEPTEMBER 1991). (CONTINUED)

FIG & ITEM #	PART NUMBER	DESCRIPTION	QTY.	REV.
52	3900294	Screw, Machine #10-16NC x 1"	4	
53	0960407	Bushing	1	
54	Not Used			
55	4360209	Breaker, Circuit 20 Amp	1	
56	3321001	Nut #10-32NF	2	
57	4751000	Flatwasher #10	2	
		<b>CONSOLE ASSEMBLIES (VARIABLE PARTS)</b>	Ref.	
	0236497	<b>MACHINES WITH RACINE VALVES AND WITHOUT CAPACITY INDICATOR AND WITH SOLENOID THROTTLE</b>	Ref.	9
	0237041	<b>MACHINES WITH RACINE VALVES AND WITHOUT CAPACITY INDICATOR AND WITH ADECO THROTTLE</b>	Ref.	F
	0236493	<b>MACHINES WITH RACINE VALVES WITH CAPACITY INDICATOR AND WITH SOLENOID THROTTLE</b>	Ref.	9
	0237040	<b>STANDARD MACHINES WITH RACINE VALVES AND WITH CAPACITY INDICATOR AND WITH ADECO THROTTLE</b>	Ref.	G
	0237042	<b>CSA MACHINES WITH RACINE VALVES AND WITH CAPACITY INDICATOR AND WITH ADECO THROTTLE</b>	Ref.	D
	0236656	<b>MACHINES WITH BERTEA VALVES WITHOUT CAPACITY INDICATOR WITH SOLENOID THROTTLE</b>	Ref.	F
	0237044	<b>MACHINES WITH BERTEA VALVES WITHOUT CAPACITY INDICATOR WITH ADECO THROTTLE</b>	Ref.	C
	0236657	<b>MACHINES WITH BERTEA VALVES WITH CAPACITY INDICATOR WITH SOLENOID THROTTLE</b>	Ref.	F
	0237043	<b>MACHINES WITH BERTEA VALVES WITH CAPACITY INDICATOR WITH ADECO THROTTLE</b>	Ref.	D
	0237943	<b>MACHINES WITH VICKERS VALVE AND WITHOUT CAPACITY INDICATOR</b>	Ref.	E
	0237942	<b>STANDARD MACHINES WITH VICKERS VALVE AND WITH CAPACITY INDICATOR</b>	Ref.	I
	0237944	<b>CSA MACHINES WITH VICKERS VALVE AND WITH CAPACITY INDICATOR</b>	Ref.	G
61		Lid, Console Options:	1	
	3251537	Racine Valves & Bertea Valves		
	3251741	Vickers Valves	1	
62		Capacity Options:	1	
	3251561	Decal - Capacity (Without Capacity Indicator)		
	2960006	Lens, Capacity Indicator (With Capacity Indicator)		
63	4060087	Shield, Switch	8	
64		Switch, Toggle Options:	1	
	4360204	Switch, Toggle (Racine Valves & Bertea Valves)		
	4360200	Switch, Toggle (Vickers Valves)		
65		Controller, PQ (Drive) Options:	1	
	1600094	Racine Valves & Solenoid/Adeco Throttle		
	1600040	Bertea Valves & Solenoid Throttle		
	1600084	Bertea Valves & Adeco Throttle		

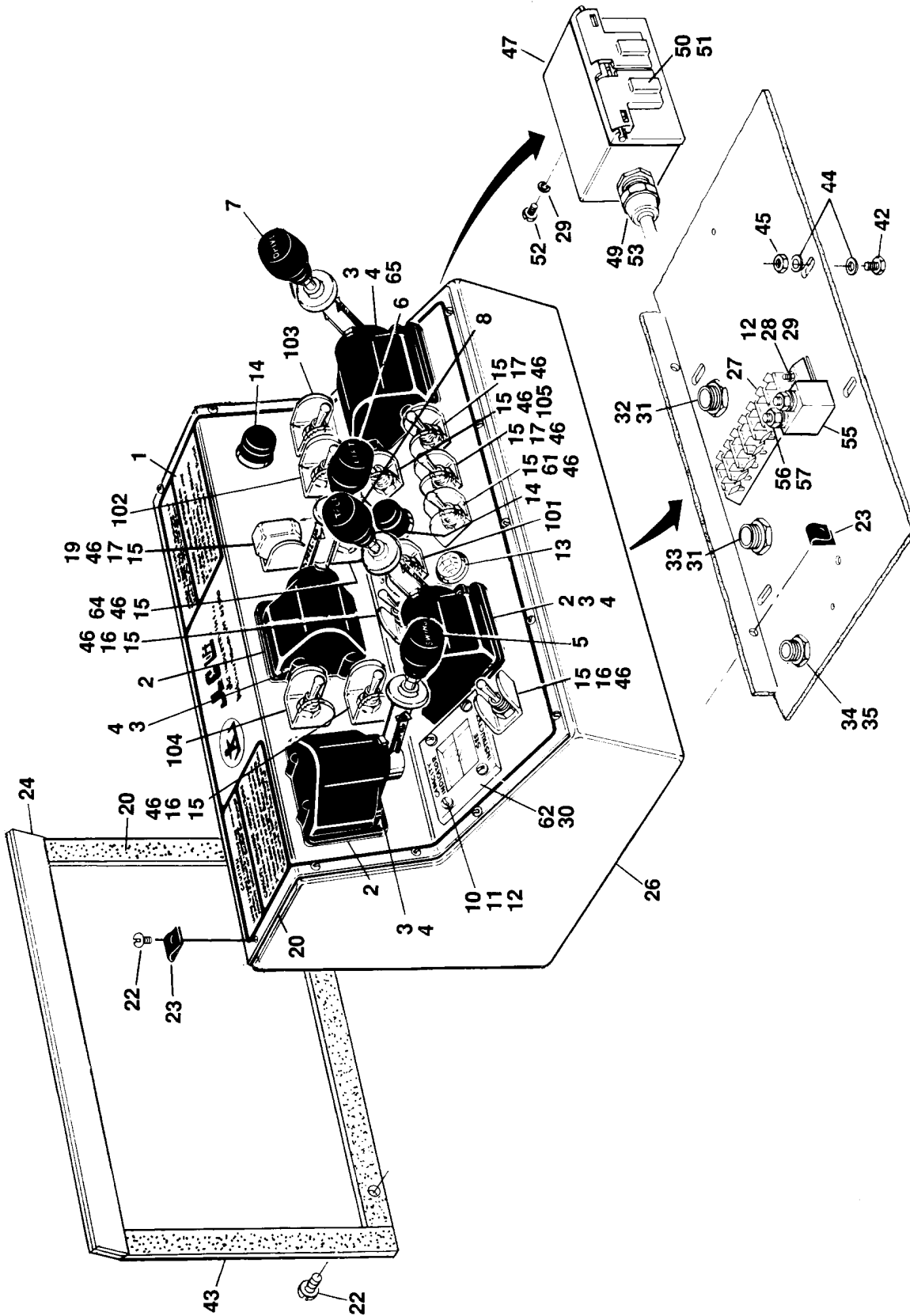
# SECTION 4 PLATFORMS

**FIGURE 4-4. CONSOLE BOX ASSEMBLIES - PQ CONTROLLERS WITHOUT PROP TELE (MACHINES BUILT PRIOR TO SEPTEMBER 1991). (CONTINUED)**

FIG & ITEM #	PART NUMBER	DESCRIPTION	QTY.	REV.
65 (cont'd)	1600094	Vickers Valves		
66		Controller, PQ (Swing and Lift)	2	
	1600094	Racine Valves & Solenoid/Adeco Throttle		
	1600040	Bertea Valves & Solenoid/Adeco Throttle		
	1600094	Vickers Valves		
		<b>OPTIONAL INSTALLATIONS</b>	Ref.	
101		Glow Plug Control Components (Location may vary)		
	4360200	Switch, Toggle	1	
	4060087	Shield, Switch	1	
	3790012	O-Ring	1	
102		Beacon Lights Controls Components		
103		Lights Controls Components		
	4360199	Switch, Toggle	1	
	4060087	Shield, Switch	1	
	3790012	O-Ring	1	
104	4360199	4WD Components		
		Switch, Toggle	1	

# SECTION 4 PLATFORMS

FIGURE 4-5. CONSOLE BOX ASSEMBLIES - PQ CONTROLLERS WITH PROP TELE (MACHINES BUILT PRIOR TO SEPTEMBER 1991).



# SECTION 4 PLATFORMS

**FIGURE 4-5. CONSOLE BOX ASSEMBLIES - PQ CONTROLLERS WITH PROP TELE (MACHINES BUILT PRIOR TO SEPTEMBER 1991).**

FIG & ITEM #	PART NUMBER	DESCRIPTION	QTY.	REV.
		<b>CONSOLE BOX ASSEMBLY (STANDARD PARTS)</b>	Ref.	
1	3251742	Lid, Console	1	
2	1600094	Controller, PQ	3	
3	0720803	Bolt #8-32NC x 3/8"	12	
4	4760800	Lockwasher #8	12	
5	2560040	Knob, Controller (Swing)	1	
6	2560038	Knob, Controller (Lift)	1	
7	2560041	Knob, Controller (Drive)	1	
8	2560039	Knob, Controller (Tele)	1	
9	Not Used			
10	3911014	Screw, Round Head #10-24NC x 7/8"	4	
11	4771000	Starwasher #10	4	
12	3311001	Nut #10-24NC	6	
13	2920015	Lamp	1	
14	4360274	Switch, Push Button	2	
15	4060087	Shield, Switch	7	
16	4360202	Switch, Toggle	3	
17	4360199	Switch, Toggle	3	
18	Not Used			
19	4360141	Guard, Switch	1	
20	4420038	Tape, Insulation	34 in.	
21	0100001	Adhesive (Not Shown)	A/R	
22	0751006	Screw #10-24NC x 3/4"	15	
23	3300177	Nut, Tinnerman	15	
24	3960240	Weatherstrip	16"	
25	0100009	Silicone - RTV (Not Shown)	A/R	
26	0860472	Box Weldment	1	
27	4460263	Strip, Terminal	1	
28	3911012	Screw, Round Head #10-24NC x 3/4"	2	
29	4761000	Lockwasher #10	6	
30	3960251	Gasket	1	
31	3300048	Locknut, Conduit	2	
32	4460071	Connector, Strain Relief	1	
33	4460051	Connector, Strain Relief	1	
34	3300047	Locknut, Conduit	1	
35	4460052	Connector, Strain Relief	1	
36 to 40	Not Used			
41	0100011	Loctite #242 (Not Shown)	A/R	
42	3311405	Locknut 1/4"-20NC	4	
43	3509858	Plate, Rear Cover	1	
44	4751400	Flatwasher 1/4"	8	
45	0641407	Bolt 1/4"-20NC x 7/8"	4	
46	3790012	O-Ring	A/R	
47	0860038	Box, Receptacle	1	
48	Not Used			
49	4460049	Connector, Strain Relief	1	
50	4460190	Receptacle	1	

## SECTION 4 PLATFORMS

FIGURE 4-5. CONSOLE BOX ASSEMBLIES - PQ CONTROLLERS WITH PROP TELE (MACHINES BUILT PRIOR TO SEPTEMBER 1991). (CONTINUED)

FIG & ITEM #	PART NUMBER	DESCRIPTION	QTY.	REV.
51	4060092	Shield, Weatherproof	1	
52	3911008	Screw, Machine #10-24NC x 1/2"	4	
53	0960407	Bushing	1	
54	Not Used			
55	4360209	Breaker, Circuit - 20 Amp	1	
56	3321001	Nut #10-32NF	2	
57	4751000	Flatwasher #10	2	
		<b>CONSOLE BOX ASSEMBLIES (VARIABLE PARTS)</b>	Ref.	
	0236821	<b>MACHINES WITH RACINE VALVES AND WITHOUT CAPACITY INDICATOR</b>	Ref.	J
	0236822	<b>MACHINES WITH RACINE VALVES WITH CAPACITY INDICATOR</b>	Ref.	J
	0237948	<b>MACHINES WITH VICKERS VALVE AND WITHOUT CAPACITY INDICATOR</b>	Ref.	E
	0237947	<b>MACHINES WITH VICKERS VALVE AND WITH CAPACITY INDICATOR</b>	Ref.	F
61	Not Required	Switch, Toggle (Wheel Speed) Options:	1	
	4360199	Racine Valves		
		Vickers Valves		
62		Capacity Options:	1	
	3251561	Decal - Capacity (Without Capacity Indicator)		
	2960006	Lens, Capacity Indicator (With Capacity Indicator)		
63	Not Used			
64		Switch, Toggle Options:	1	
	4360204	Switch, Toggle (Racine Valves)		
	4360200	Switch, Toggle (Vickers Valves)		
65	1600094	Controller, PQ	1	
		<b>OPTIONAL INSTALLATIONS</b>	Ref.	
101		Glow Plug Control Components (Location may vary)		
	4360200	Switch, Toggle	1	
	4060087	Shield, Switch	1	
	3790012	O-Ring	1	
102		Beacon Lights Controls Components		
103		Lights Controls Components		
	4360199	Switch, Toggle	1	
	4060087	Shield, Switch	1	
	3790012	O-Ring	1	
104		Extend-A-Reach Control Components (46H/40H+6 Only)		
	4360202	Switch, Toggle	1	
	4060087	Shield, Switch	1	
	3790012	O-Ring	1	
	3251746	Nameplate	1	
105		4WD Components		
	4360199	Switch, Toggle	1	



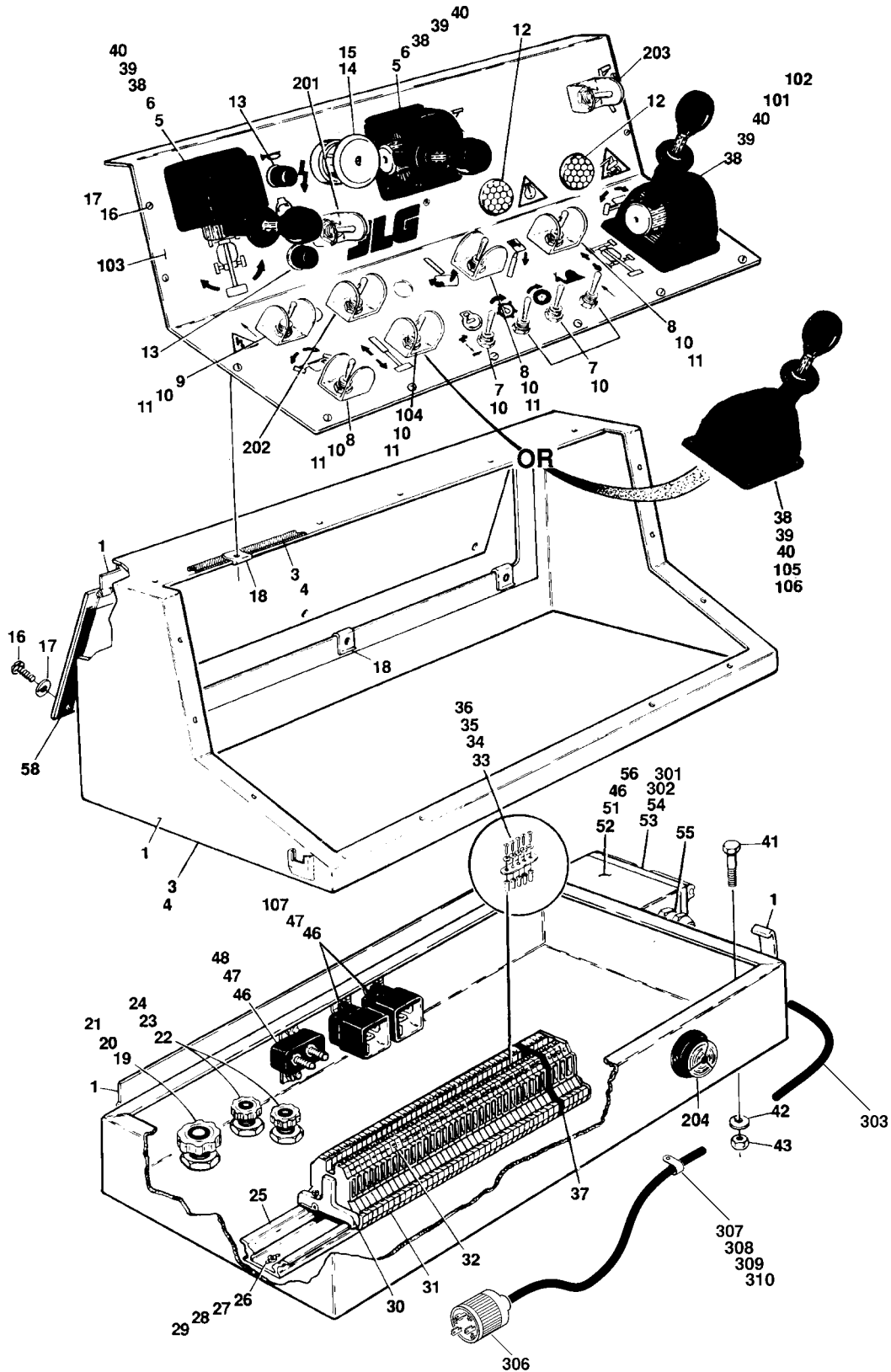
# SECTION 4 PLATFORMS

FIGURE 4-5. CONSOLE BOX ASSEMBLIES - PQ CONTROLLERS WITH PROP TELE (MACHINES BUILT PRIOR TO SEPTEMBER 1991). (CONTINUED)

FIG & ITEM #	PART NUMBER	DESCRIPTION	QTY.	REV.

# SECTION 4 PLATFORMS

FIGURE 4-6. CONSOLE BOX ASSEMBLIES - PQ CONTROLLERS AND VICKERS VALVE (MACHINES BUILT SEPTEMBER 1991 TO PRESENT).



# SECTION 4 PLATFORMS

**FIGURE 4-6. CONSOLE BOX ASSEMBLIES - PQ CONTROLLERS AND VICKERS VALVE (MACHINES BUILT SEPTEMBER 1991 TO PRESENT).**

FIG & ITEM #	PART NUMBER	DESCRIPTION	QTY.	REV.
		<b>CONSOLE BOX ASSEMBLY (STANDARD PARTS)</b>	Ref.	
1	0860739	Box Weldment	1	
	2940052	Latch	2	
	2600105	Hinge (Top)	1	
	2600132	Hinge (Bottom)	1	
	3531023	Rear Access Door	1	
2	Not Used			
3	4420008	Tape, Insulation	69 ft./ 1.75cm	
4	0100001	Adhesive	A/R	
5	1600141	Controller, PQ	2	
6	2560112	Knob	2	
7	4360199	Switch, Toggle	4	
8	4360202	Switch, Toggle	3	
9	4360200	Switch, Toggle	1	
10	3790012	O-Ring	A/R	
11	4060229	Shield	5	
12	2920015	Lamp	2	
13	4360274	Switch, Push Button	2	
14		Switch, Emergency Stop Options:	1	
	4360289	Prior to S/N 47999		
	4360475	S/N 47999 to Present		
		Cap Options:	1	
	7012611	Cap, Mushroom Head (Used on Switch p/n 4360289)		
	7012612	Boot (Used on Switch p/n 4360289)	1	
	7020175	Cap, Red (Used on Switch p/n 4360475)		
	7020176	Contact Block (Used on Switch p/n 4360475)		
15		Block, Contact Options:	1	
	4360282	Prior to S/N 47999		
	4360476	S/N 47999 to Present		
16	0751006	Screw #10-24NC x 3/4"	21	
17	4740120	Washer, Nylon	21	
18	3300177	Nut, Tinnerman	21	
19	4460386	Connector, Strain Relief	1	
20	3300147	Nut, Conduit	1	
21	0960905	Bushing	1	
22	4460052	Connector, Strain Relief	2	
23	3300047	Nut, Conduit	2	
24	0960239	Bushing	2	
25	3640752	Track	1	
26	3910608	Screw #6-32NC x 1/2"	2	
27	4750600	Flatwasher #6	2	
28	4760600	Lockwasher #6	2	
29	3310601	Nut #6-32NC	2	
30	4460299	Stop, Terminal	2	
31	4460298	Block, Terminal	40	
32	4460301	Strip, Marking	1	

## SECTION 4 PLATFORMS

FIGURE 4-6. CONSOLE BOX ASSEMBLIES - PQ CONTROLLERS AND VICKERS VALVE (MACHINES BUILT SEPTEMBER 1991 TO PRESENT). (CONTINUED)

FIG & ITEM #	PART NUMBER	DESCRIPTION	QTY.	REV.
33	4460311	Bar, Buss	1	
34	4460305	Screw, Terminal	5	
35	4460306	Washer, Terminal	5	
36	4460307	Sleeve, Terminal	5	
37	4460300	Barrier, Terminal	3	
38	0720803	Screw, Machine #8-32NC x 3/8"	16	
39	4750800	Flatwasher #8	16	
40	4760800	Lockwasher #8	16	
41	0641508	Bolt 5/16"- 18NC x 1"	4	
42	4751500	Flatwasher 5/16"	8	
43	3311505	Locknut 5/16"- 18NC	4	
44 to 45	Not Used			
46	4761000	Lockwasher #10	A/R	
47	3311001	Nut #10-24NC	A/R	
48	4360209	Breaker, Circuit - 20 Amp	1	
49 to 50	Not Used			
51	3900294	Screw #10-24NC x 1"	4	
52	0860038	Box, Receptacle	1	
53	4460190	Receptacle (Standard)	1	
54	4060092	Cover, Receptacle (Standard)	1	
55	4460071	Connector, Strain Relief	1	
56	4751000	Flatwasher #10	4	
57	3520034	Plug (Not Shown)	2	
58	4420037	Tape, Insulation	45 in./38cm	
		<b>CONSOLE BOX ASSEMBLIES (VARIABLE PARTS)</b>	Ref.	
	0860743	<b>MACHINES WITHOUT PROP TELE</b>	Ref.	8
	0860745	<b>MACHINES WITH PROP TELE</b>	Ref.	8
	0860842	<b>MACHINES WITH STEER SWITCH IN DRIVE CONTROLLER</b>	Ref.	7
101		Controller, PQ Options:	1	
	1600141	Machines Without/With Prop Tele		
	1600140	Machines With Steer Switch In Drive Controller)		
102		Knob Options:	1	
	2560112	Machines Without/With Prop Tele		
	Not Required	Machines With Steer Switch In Drive Controller)		
103		Lid Options:	1	
		Machines Without Prop Tele		
	3252140	Lid (Prior to May 1994)		
	3252353	Lid (May 1994 to November 1994)		
	3538394	Plate, Console Decal Mounting (November 1994 to Present)	1	
	1702404	Decal, Console (November 1994 to Present)	1	
		Machines With Prop Tele		
	3252139	Lid (Prior to May 1994)		
	3252364	Lid (May 1994 to November 1994)		
	Not Available	Plate, Console Decal Mounting (November 1994 to Present)	1	

# SECTION 4 PLATFORMS

**FIGURE 4-6. CONSOLE BOX ASSEMBLIES - PQ CONTROLLERS AND VICKERS VALVE (MACHINES BUILT SEPTEMBER 1991 TO PRESENT). (CONTINUED)**

FIG & ITEM #	PART NUMBER	DESCRIPTION	QTY.	REV.
104	Not Available	Decal, Console (November 1994 to Present) Machines With Steer Switch In Drive Controller)	1	
	3252140	Lid (Prior to May 1994)		
	3252353	Lid (May 1994 to November 1994)		
	3538394	Plate, Console Decal Mounting (November 1994 to Present)	1	
	1702404	Decal, Console (November 1994 to Present)	1	
105	4360202	Switch, Toggle Options: Machines Without Prop Tele	1	
	Not Required	Machines With Prop Tele		
	4360202	Machines With Steer Switch In Drive Controller)		
106	Not Required	Controller, PQ Options: Machines Without Prop Tele	1	
	1600141	Machines With Prop Tele		
	Not Required	Machines With Steer Switch In Drive Controller)		
107	Not Required	Knob Options: Machines Without Prop Tele	1	
	2560112	Machines With Prop Tele		
	Not Required	Machines With Steer Switch In Drive Controller)		
		<b>OPTIONAL INSTALLATIONS</b>	Ref.	
201		Choke/Glow Plug Components		
	4360200	Switch, Toggle	1	
	3790012	O-Ring	1	
202	4060229	Shield	1	
		Lights Components		
	4360199	Switch, Toggle	1	
203	3790012	O-Ring	1	
	4060229	Shield	1	
		Extend-A-Reach Components		
204	4360202	Switch, Toggle	1	
	3790012	O-Ring	1	
	4060229	Shield	1	
204	0253077/0254203	Tilt Alarm Installations	Ref.	5/B
	0140026	Alarm	1	
	1540002	Capacitor	1	
		<b>AC POWER CORD INSTALLATIONS</b>	Ref.	
	0254410	<b>40H</b>	Ref.	3
	0254414	<b>40H+6</b>	Ref.	3
301	4060092	Cover, Receptacle (Standard)	1	
302	4460190	Receptacle (Standard)	1	
303		Cable, Electrical 12/3 Options: 40H 40H+6	A/R	
304 to 305	Not Used			

# SECTION 4 PLATFORMS

SECTION  
4  
PLATFORMS

**FIGURE 4-6. CONSOLE BOX ASSEMBLIES - PQ CONTROLLERS AND VICKERS VALVE  
(MACHINES BUILT SEPTEMBER 1991 TO PRESENT). (CONTINUED)**

FIG & ITEM #	PART NUMBER	DESCRIPTION	QTY.	REV.
306	4460205	Plug	1	
307	1320041	Clamp, Cable	1	
308	0721006	Bolt #10-24NC x 3/4"	1	
309	4751000	Flatwasher #10	2	
310	3311005	Locknut #10-24NC	1	

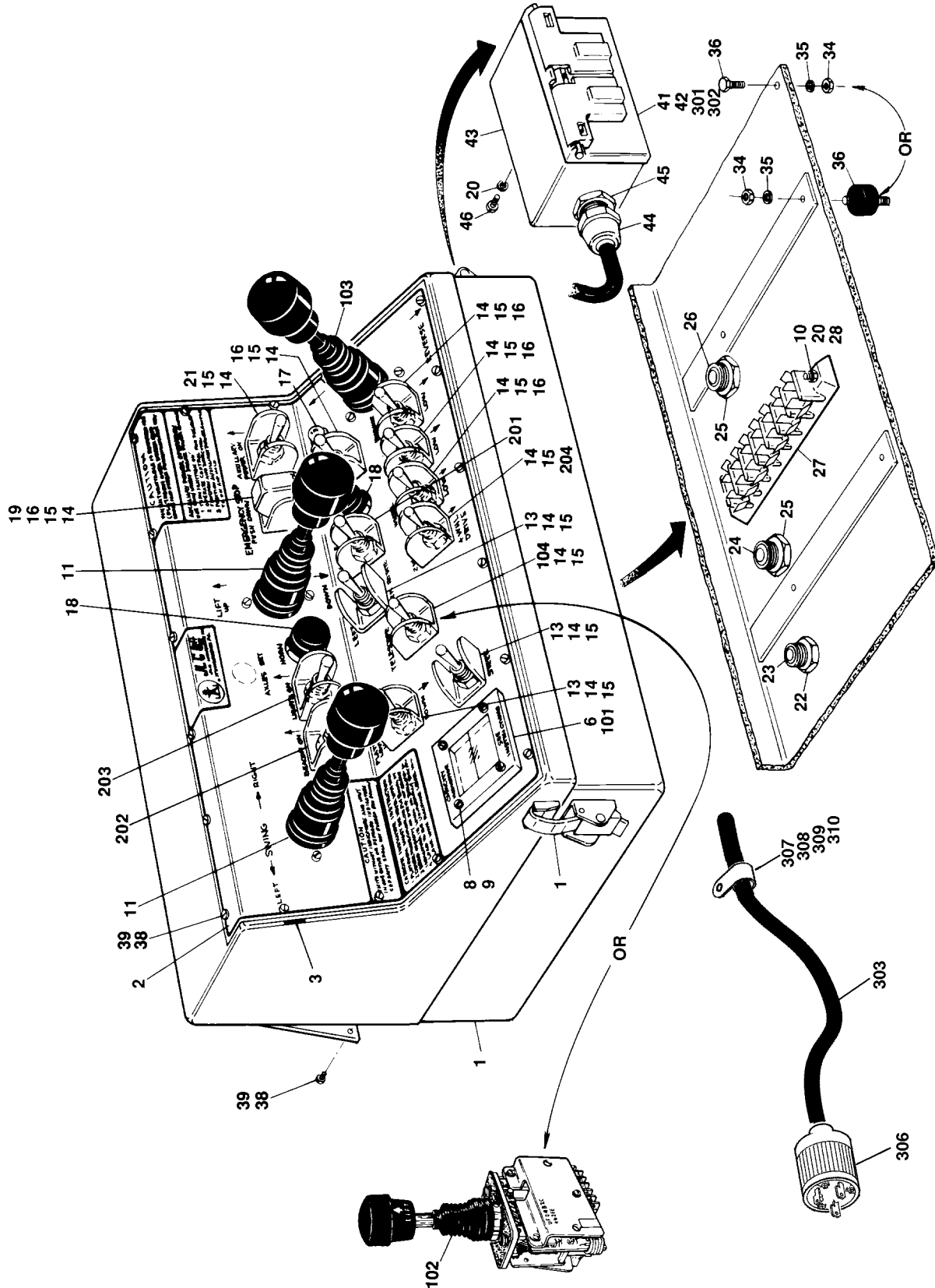
# SECTION 4 PLATFORMS

FIGURE 4-6. CONSOLE BOX ASSEMBLIES - PQ CONTROLLERS AND VICKERS VALVE  
(MACHINES BUILT SEPTEMBER 1991 TO PRESENT). (CONTINUED)

FIG & ITEM #	PART NUMBER	DESCRIPTION	QTY.	REV.

# SECTION 4 PLATFORMS

FIGURE 4-7. CONSOLE BOX ASSEMBLY - OEM CONTROLLERS.





# SECTION 4 PLATFORMS

**FIGURE 4-7. CONSOLE BOX ASSEMBLY - OEM CONTROLLERS.**

FIG & ITEM #	PART NUMBER	DESCRIPTION	QTY.	REV.
		<b>CONSOLE BOX ASSEMBLY (STANDARD PARTS)</b>	Ref.	
1	0860538	Box Weldment	1	
	2600132	Hinge (Top to Bottom)	1	
	2600105	Hinge (Rear Access Door)	1	
	2940052	Latch	2	
2	3251678	Lid	1	
3	4420038	Tape, Insulation	45 in./38cm	
4	0100001	Adhesive (Not Shown)	A/R	
5	0100009	Silicone, RTV (Not Shown)	A/R	
6	3960251	Gasket	1	
7	Not Used			
8	3911014	Screw, Round Head #10-24NC x 7/8"	4	
9	4771000	Starwasher #10	4	
10	3311001	Nut #10-24NC	6	
11		Controller, OEM Option	2	
	Use 1600247	Prior to S/N 41439 (p/n was 1600092)		
	1600247	S/N 41439 to Present		
12	Not Used			
13	4360202	Switch, Toggle	3	
14	4060087	Shield, Switch	A/R	
15	3790012	O-Ring	A/R	
16	4360199	Switch, Toggle	5	
17	2920015	Lamp	1	
18	4360274	Switch, Push Button	2	
19	4360141	Guard, Switch	1	
20	4761000	Lockwasher #10	6	
21	4360200	Switch, Toggle	1	
22	3300047	Locknut, Conduit	1	
23	4460052	Connector, Strain Relief	1	
24	4460051	Connector, Strain Relief	1	
25	3300048	Locknut, Conduit	2	
26	4460071	Connector, Strain Relief	1	
27	4460263	Strip, Terminal	1	
28	0721008	Screw #10-24NC x 1/2"	2	
29 to 33	Not Used			
34	3311505	Locknut 5/16"-18NC	4	
35	4751500	Flatwasher 5/16"	8	
36		Mounting Hardware Option	4	
	4320002	Stud with Rubber Mount (Prior to August 1990)		
	0641508	Bolt 5/16"-18NC (August 1990 to Present)		
37	Not Used			
38	0791006	Screw, Pan Head #10-24NC x 3/4"	21	
39	3300177	Nut, Tinnerman	21	
40	Not Used			
41	4060092	Cover, Weather Shield	1	
42	4460190	Receptacle, Electrical	1	
43	0860038	Box, Receptacle	1	
44	4460049	Connector, Strain Relief	1	

## SECTION 4 PLATFORMS

FIGURE 4-7. CONSOLE BOX ASSEMBLY - OEM CONTROLLERS. (CONTINUED)

FIG & ITEM #	PART NUMBER	DESCRIPTION	QTY.	REV.
45	0960407	Bushing	1	
46	3911008	Screw #10-24NC x 1/2"	4	
		<b>CONSOLE BOX ASSEMBLIES (VARIABLE PARTS)</b>	Ref.	
	0238264	2WD MACHINES WITHOUT CAPACITY INDICATOR AND WITHOUT PROP TELE	Ref.	7
	0238179	2WD MACHINES WITH CAPACITY INDICATOR AND WITHOUT PROP TELE AND WITH STANDARD PLATFORM	Ref.	11
	0254737	2WD MACHINES WITH CAPACITY INDICATOR AND WITHOUT PROP TELE AND WITH LOW MOUNT PLATFORM	Ref.	2
	0238263	2WD MACHINES WITHOUT CAPACITY INDICATOR AND WITH PROP TEL	Ref.	7
	0238180	2WD MACHINES WITH CAPACITY INDICATOR AND WITH PROP TELE	Ref.	8
	0238178	4WD MACHINES WITH CAPACITY INDICATOR AND WITHOUT PROP TELE (1987-191)	Ref.	7
101		Capacity Options:	1	
	3251551	Decal - 2WD Machines Without Capacity Indicator		
	2960006	Lens - 2WD Machines With Capacity Indicator	1	
102		Controller, OEM (Tele) Options:	1	
	Not Required	Machines Without Prop Tele		
		Machines With Prop Tele Options:		
	Use 1600247	Prior to S/N 41439 (p/n was 1600092)		
	1600247	S/N 41439 to Present		
103		Controller, OEM (Drive) Options:	1	
	Use 1600247	Prior to S/N 41439 (p/n was 1600092)		
	1600247	S/N 41439 to Present		
104		Switch, Toggle (Tele) Options:	1	
	4360202	Machines Without Prop Tele		
	Not Required	Machines With Prop Tele		
		<b>OPTIONAL INSTALLATIONS</b>	Ref.	
201		Glow Plug/Choke Components		
	4360199	Switch, Toggle	1	
	4060087	Shield, Switch	1	
	3790012	O-Ring	1	
202		Beacon Components		
	4360199	Switch, Toggle	1	
	4060087	Shield, Switch	1	
	3790012	O-Ring	1	
203		Lights Components		
	4360199	Switch, Toggle	1	
	4060087	Shield, Switch	1	
	3790012	O-Ring	1	
204		4WD Components		
	4360199	Switch, Toggle	1	

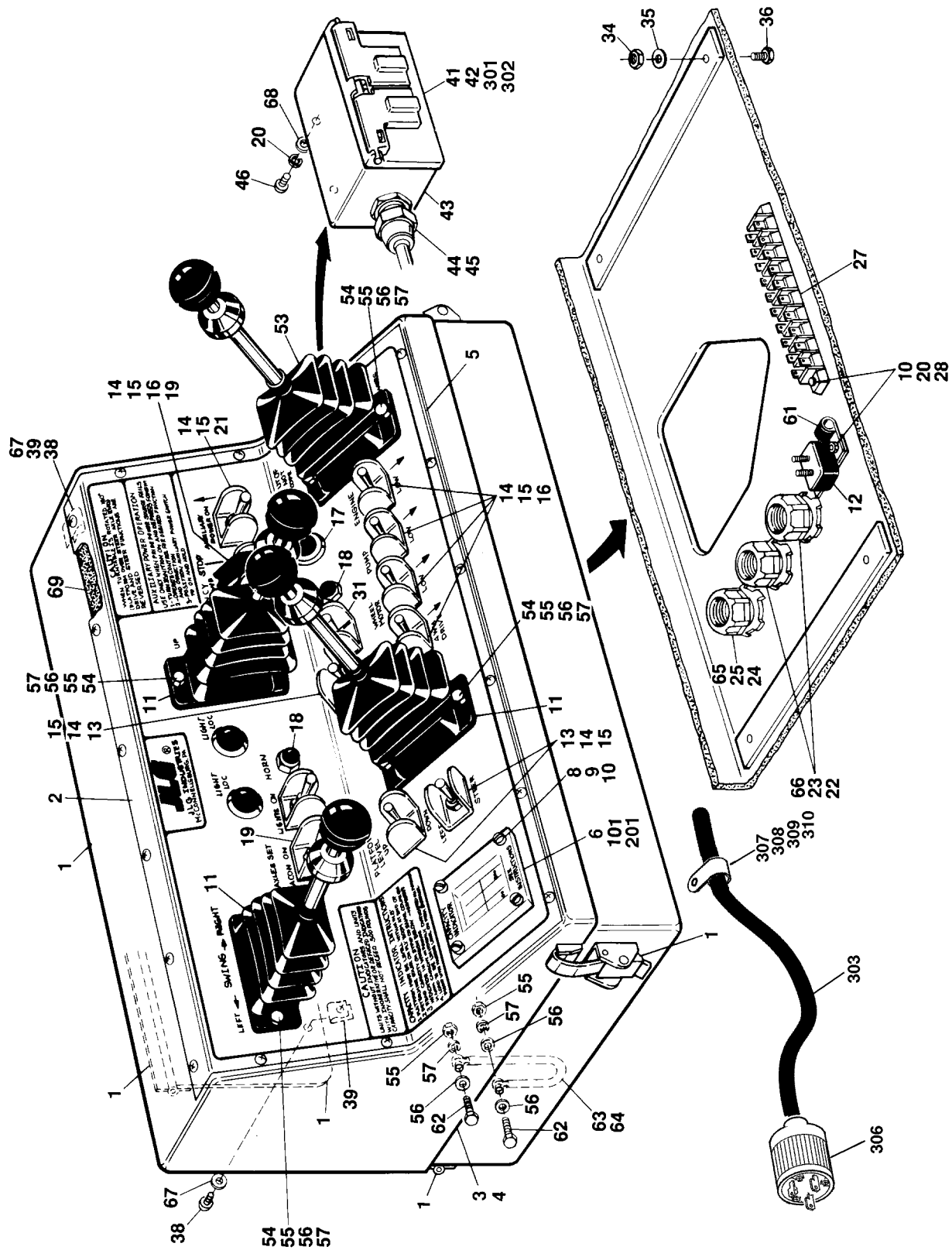
# SECTION 4 PLATFORMS

**FIGURE 4-7. CONSOLE BOX ASSEMBLY - OEM CONTROLLERS. (CONTINUED)**

FIG & ITEM #	PART NUMBER	DESCRIPTION	QTY.	REV.
		<b>AC POWER CORD INSTALLATIONS</b>		
	0254410	<b>40H</b>	Ref.	3
	0254414	<b>40H+6</b>	Ref.	3
301	4060092	Cover, Receptacle (Standard)	1	
302	4460190	Receptacle (Standard)	1	
303		Cable, Electrical 12/3 Options: 40H 40H+6	A/R	
304 to 305	Not Used			
306	4460205	Plug	1	
307	1320041	Clamp, Cable	1	
308	0721006	Bolt #10-24NC x 3/4"	1	
309	4751000	Flatwasher #10	2	
310	3311005	Locknut #10-24NC	1	

# SECTION 4 PLATFORMS

FIGURE 4-8. CONSOLE BOX ASSEMBLY - HYDRAULIC CONTROLS.



# SECTION 4 PLATFORMS

**FIGURE 4-8. CONSOLE BOX ASSEMBLY - HYDRAULIC CONTROLS.**

FIG & ITEM #	PART NUMBER	DESCRIPTION	QTY.	REV.
		<b>CONSOLE BOX ASSEMBLY (STANDARD PARTS)</b>	Ref.	
1	0860565	Box Weldment	1	
	2950052	Latch	1	
	2600132	Hinge (Top to Bottom)	1	
	2600105	Hinge (Access Door)	1	
	3531023	Door, Access (Rear)	1	
2		Lid Options:	1	
	3251858	Lid (Prior to May 1994)		
	3252374	Lid (May 1994 to November 1994)		
	3538391	Plate, Console Decal Mounting (November 1994 to Present)		
	1702401	Decal, Console (November 1994 to Present)		
3	4420008	Tape, Insulation	69 in./1.75m	
4	0100001	Adhesive (Not Shown)	A/R	
5	0100009	Silicone, RTV (Not Shown)	A/R	
6	3960251	Gasket	1	
7	Not Used			
8	3911014	Screw, Round Head #10-24NC x 7/8"	4	
9	4771000	Starwasher #10	4	
10	3311001	Nut #10-24NC	8	
11		Controller Options:	3	
	4640559	Controller (Prior February 1992)		
	4640748	Controller (February 1992 to Present)		
	7009352	Boot (1 Per Assembly)	A/R	
	7012314	Lever Kit (1 Per Assembly)	A/R	
	7012316	Spring, Handle Lock (1 Per Assembly)	A/R	
12	4360209	Breaker, Circuit - 20 Amp	1	
13	4360202	Switch, Toggle	3	
14		Switch, Shield Options:	A/R	
	4060087	Shield (Prior to May 1994)		
	4060229	Shield (May 1994 to Present)		
15	3790012	O-Ring	A/R	
16	4360199	Switch, Toggle	4	
17	2920015	Lamp	1	
18	4360274	Switch, Push Button	2	
19	4360141	Cover, Switch	1	
20	4761000	Lockwasher #10	8	
21	4360200	Switch, Toggle	1	
22	3300047	Locknut, Conduit	2	
23	4460052	Connector, Strain Relief	2	
24	4460051	Connector, Strain Relief	1	
25	3300048	Locknut, Conduit	1	
26	Not Used			
27	4460263	Strip, Terminal	1	
28	3911012	Screw #10-24NC x 3/4"	4	
29 to 33	Not Used			
34	3311505	Locknut 5/16"-18NC	4	
35	4751500	Flatwasher 5/16"	8	

## SECTION 4 PLATFORMS

FIGURE 4-8. CONSOLE BOX ASSEMBLY - HYDRAULIC CONTROLS. (CONTINUED)

FIG & ITEM #	PART NUMBER	DESCRIPTION	QTY.	REV.
36	0641508	Bolt 5/16"-18NC	4	
37	Not Used			
38	0751006	Screw #10-24NC x 3/4"	21	
39	3300177	Nut, Tinnerman	21	
40	Not Used			
41	4060092	Shield, Weatherproof	1	
42	4460190	Receptacle, Electrical	1	
43	0860038	Box, Electrical	1	
44	4460071	Connector, Strain Relief	1	
45	0960407	Reducer	1	
46	3900294	Screw #10-24NC x 1"	4	
47 to 52	Not Used			
53		Controller Options:	1	
	4640560	Controller (Prior to February 1993)		
	4640749	Controller (February 1992 to Present)		
	7009352	Boot (1 Per Assembly)	A/R	
	7012314	Lever Kit (1 Per Assembly)	A/R	
	7012316	Spring, Handle Lock (1 Per Assembly)	A/R	
54	0641406	Bolt 1/4"—20NC x 3/4"	8	
55	3311401	Nut 1/4"-20NC	20	
56	4751400	Flatwasher 1/4"	16	
57	4761400	Lockwasher 1/4"	12	
58 to 60	Not Used			
61	1320041	Clamp	1	
62	0641409	Bolt 1/4"-20NC x 1 1/8"	4	
63	1260017	Chain	16 in./41cm	
64	2820022	Tubing	15 in./39cm	
65	0960238	Bushing	1	
66	0960239	Bushing	2	
67	4741000	Washer, Nylon	21	
68	4751000	Flatwasher #10	4	
69	4420037	Tape, Insulation	12 in./27cm	
	0250067	<b>CONSOLE BOX ASSEMBLY - MACHINES WITHOUT CAPACITY INDICATOR (VARIABLE PARTS)</b>	Ref.	J
101		Capacity Decal Options:	1	
	3251551	Decal (Prior to May 1994)		
	3252394	Decal (May 1994 to Present)		
	0239229	<b>CONSOLE BOX ASSEMBLY - STANDARD MACHINES WITH CAPACITY INDICATOR AND STANDARD PLATFORM (VARIABLE PARTS)</b>	Ref.	16
	0250674	<b>CONSOLE BOX ASSEMBLY - CSA MACHINES WITH CAPACITY INDICATOR AND STANDARD PLATFORM (VARIABLE PARTS)</b>	Ref.	H
	0254246	<b>CONSOLE BOX ASSEMBLY - MACHINES WITH CAPACITY INDICATOR AND LOW MOUNT PLATFORM (VARIABLE PARTS)</b>	Ref.	D
201	2960006	Lens, Capacity Indicator	1	

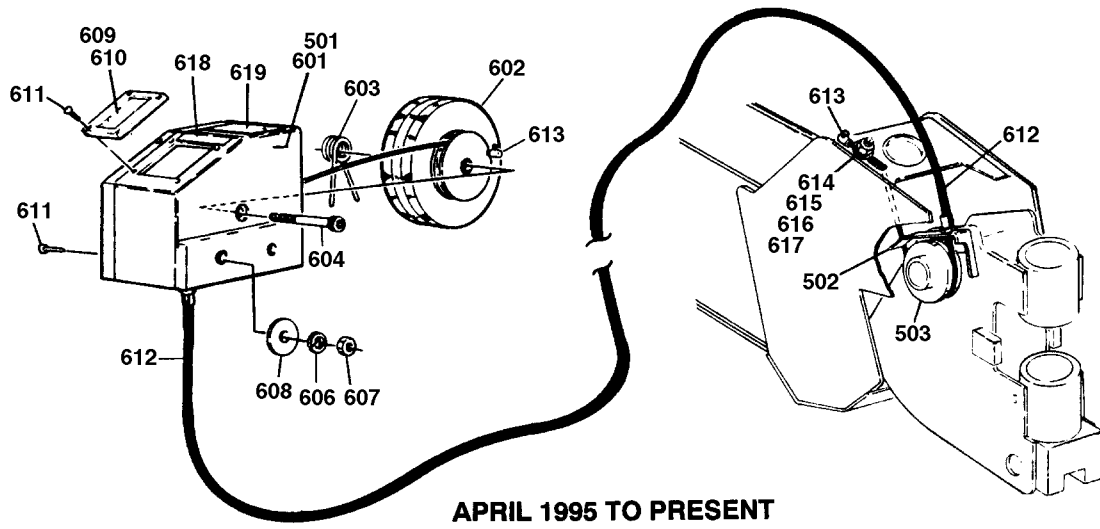
# SECTION 4 PLATFORMS

**FIGURE 4-8. CONSOLE BOX ASSEMBLY - HYDRAULIC CONTROLS. (CONTINUED)**

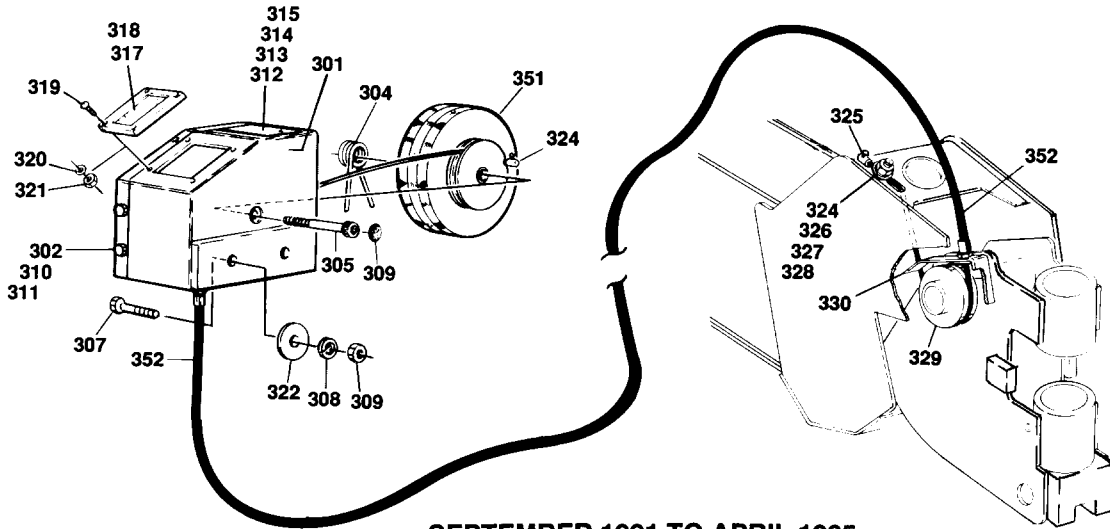
FIG & ITEM #	PART NUMBER	DESCRIPTION	QTY.	REV.
		<b>AC POWER CORD INSTALLATIONS</b>	Ref.	
	0254410	<b>40H</b>	Ref.	3
	0254414	<b>40H+6</b>	Ref.	3
301	4060092	Cover, Receptacle (Standard)	1	
302	4460190	Receptacle (Standard)	1	
303		Cable, Electrical 12/3 Options: 40H 40H+6	A/R	
304 to 305	Not Used			
306	4460205	Plug	1	
307	1320041	Clamp, Cable	1	
308	0721006	Bolt #10-24NC x 3/4"	1	
309	4751000	Flatwasher #10	2	
310	3311005	Locknut #10-24NC	1	

# SECTION 4 PLATFORMS

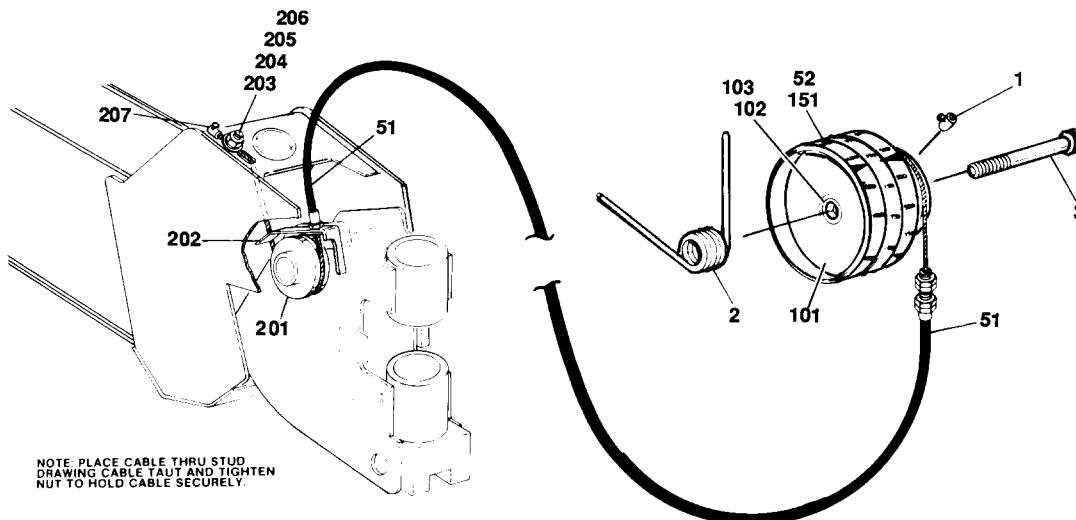
FIGURE 4-9. CAPACITY INDICATOR INSTALLATION (OPTIONAL).



APRIL 1995 TO PRESENT



SEPTEMBER 1991 TO APRIL 1995



NOTE: PLACE CABLE THRU STUD DRAWING CABLE TAUT AND TIGHTEN NUT TO HOLD CABLE SECURELY.



# SECTION 4 PLATFORMS

**FIGURE 4-9. CAPACITY INDICATOR INSTALLATION (OPTIONAL).**

FIG & ITEM #	PART NUMBER	DESCRIPTION	QTY.	REV.
		<b>Note: Use 1-207 for machines with standard controls built prior to September 1991 and all machines with hydraulic controls. Use 301-403 for machines with standard controls built September 1991 to April 1995. Use 501-652 for machines with standard controls built April 1995 to present</b>	Ref.	
		<b>GAGE INSTALLATIONS (STANDARD PARTS) (SEE NOTE FOR USAGE)</b>	Ref.	
1	4220044	Stop, Throttle	2	
2	4160058	Spring, Torsion	1	
3	3900111	Screw, Shoulder 3/8"-16NC x 1 3/4"	1	
	0100011	Loctite #242	A/R	
		<b>GAGE INSTALLATIONS (VARIABLE PARTS) (SEE NOTE FOR USAGE)</b>	Ref.	
51		Cable Options:	1	
	1060168	Cable (40H with Racine and Bertea Valves)		
	1060168	Cable (40H/40H+6/46H with Vickers Valves, with Prop Tele and with Standard Platform)		
	1060369	Cable (40H/40H+6/46H with Vickers Valves, without Prop Tele and with Standard Platforms)		
	1060417	Cable (40H with Vickers Valves and Low Mount Platforms)		
	1060369	Cable (40H+6/46H without Prop Tele and with Low Mount Platform)		
	1060168	Cable (40H+6/46H with Prop Tele and with Low Mount Platform)		
52		Capacity Indicator Gage Options (See Items 101-151 for Breakdown)	1	
	2420055	Gage (Domestic/Standard)		
	2420050	Gage (CSA/2:1 Stability)		
		<b>CAPACITY INDICATOR GAGE ASSEMBLIES (VARIABLE PARTS)</b>	Ref.	
	2420055	<b>DOMESTIC/ STANDARD</b>	Ref.	
	2420050	<b>CSA/2:1 STABILITY</b>	Ref.	
101	2420057	Housing	1	
102	0440042	Bearing, Ball	2	
103	4561774	Tube, Spacer	1	
104		Nameplate - Capacity Options:	1	
	1700503	Domestic/Standard		
	1700502	CSA/2:1 Stability		

## SECTION 4 PLATFORMS

FIGURE 4-9. CAPACITY INDICATOR INSTALLATION (OPTIONAL). (CONTINUED)

FIG & ITEM #	PART NUMBER	DESCRIPTION	QTY.	REV.
	0236834	<b>CAPACITY INDICATOR INSTALLATION (SEE NOTE FOR USAGE)</b>	Ref.	C
201	3580092	Pulley	1	
202	1670340	Cover	1	
203	1320109	Cable	1	
204	4751600	Flatwasher 3/8"	3	
205	4761600	Lockwasher 3/8"	1	
206	3321601	Nut 3/8"-24NF	1	
207	4220044	Stop, Throttle	1	
		<b>CAPACITY INDICATOR INSTALLATION (SEE NOTE FOR USAGE) (STANDARD PARTS)</b>	Ref.	
301	4843851	Box Weldment	1	
302	4843852	Side Plate Weldment	1	
303	Not Used			
304	4160058	Spring, Torsion	1	
305	3900111	Bolt, Shoulder 3/8"-16NC x 1 3/4"	1	
306	0100011	Loctite #242 (Not Shown)	A/R	
307	0641408	Bolt 1/4"-20NC x 1"	2	
308	4751400	Flatwasher 1/4"	2	
309	3311405	Locknut 1/4"-20NC	2	
310	4761400	Lockwasher 1/4"	4	
311	0641404	Bolt 1/4"-20NC x 1/2"	4	
312		Nameplate Options:	1	
	3252084	Nameplate (Prior to May 1994)		
	3252346	Nameplate (May 1994 to Present)		
313	3300177	Nut, Tinnerman	6	
314	0751006	Screw #10-24NC x 3/8"	6	
315	0100001	Adhesive (Not Shown)	A/R	
316	4420008	Tape, Insulation	24 in./ 61cm	
317	3960251	Gasket	1	
318	2960006	Lens	1	
319	3911014	Screw #10-24NC x 7/8"	4	
320	4771000	Starwasher #10	4	
321	3311001	Nut #10-24NC	4	
322	4740362	Washer, Fender	2	
323	Not Used			
324	4220044	Stop, Throttle	2	
325	1320109	Clamp, Cable	1	
326	4751600	Flatwasher 3/8"	1	
327	4761600	Lockwasher 3/8"	1	
328	3321601	Nut 3/8"-24NF	1	
329	3580183	Pulley	1	
330	1670340	Cover, Pulley	1	

# SECTION 4 PLATFORMS

**FIGURE 4-9. CAPACITY INDICATOR INSTALLATION (OPTIONAL). (CONTINUED)**

FIG & ITEM #	PART NUMBER	DESCRIPTION	QTY.	REV.
	0252285	<b>CAPACITY INDICATOR INSTALLATION - DOMESTIC STANDARD PLATFORMS</b>	Ref.	C
	0252510	<b>CAPACITY INDICATOR INSTALLATION - CSA STANDARD PLATFORMS</b>	Ref.	B
	0253437	<b>CAPACITY INDICATOR INSTALLATION - DOMESTIC LOW MOUNT PLATFORM</b>	Ref.	B
	0253438	<b>CAPACITY INDICATOR INSTALLATION - CSA LOW MOUNT PLATFORM</b>	Ref.	C
351		Capacity Indicator Gage Options (See Items 401-403 for Breakdown)	1	
	2420055	Gage (Domestic/Standard)		
	2420050	Gage (CSA/2:1 Stability)		
352		Cable Options:	1	
	1060369	Cable (Standard Platform)		
	1060417	Cable (Low Mount Platform)		
	1280203	<b>CAPACITY INDICATOR GAGE ASSEMBLY</b>	Ref.	
401	2420057	Housing	1	
402	0440042	Bearing, Ball	2	
403	4561774	Tube, Spacer	1	
	0255729	<b>CAPACITY INDICATOR INSTALLATION - DOMESTIC STANDARD PLATFORM</b>	Ref.	—
	0255730	<b>CAPACITY INDICATOR INSTALLATION - CSA STANDARD PLATFORM</b>	Ref.	—
	0255731	<b>CAPACITY INDICATOR INSTALLATION - DOMESTIC LOW MOUNT PLATFORM</b>	Ref.	—
	0255732	<b>CAPACITY INDICATOR INSTALLATION - CSA LOW MOUNT PLATFORM</b>	Ref.	—
501		Capacity Indicator Assembly Options (See Items 601-652 for Breakdown)	1	
	0255725	Domestic Standard Platform		
	0255726	CSA Standard Platform		
	0257609	Brazil Spec. Standard Platform		
	0257846	Latin America Spec. Standard Platform		
	0255727	Domestic Low Mount Platform		
	0255728	CSA Low Mount Platform		
	0257606	Brazil Spec. Low Mount Platform		
	0257847	Latin America Spec. Low Mount Platform		
502	1670340	Cover	1	
503	3580183	Pulley	1	

## SECTION 4 PLATFORMS

FIGURE 4-9. CAPACITY INDICATOR INSTALLATION (OPTIONAL). (CONTINUED)

FIG & ITEM #	PART NUMBER	DESCRIPTION	QTY.	REV.
		<b>CAPACITY INDICATOR ASSEMBLIES</b>	Ref.	
	0255725	<b>DOMESTIC STANDARD PLATFORM</b>	Ref.	A
	0255726	<b>CSA STANDARD PLATFORM</b>	Ref.	A
	0257608	<b>BRAZIL SPEC. STANDARD PLATFORM</b>	Ref.	1
	0257844	<b>LATIN AMERICA SPEC. STANDARD PLATFORM</b>	Ref.	1
	0255727	<b>DOMESTIC LOW MOUNT PLATFORM</b>	Ref.	A
	0255728	<b>CSA LOW PLATFORM</b>	Ref.	A
	0257604	<b>BRAZIL SPEC. LOW MOUNT PLATFORM</b>	Ref.	1
	0257843	<b>LATIN AMERICA SPEC. LOW MOUNT PLATFORM</b>	Ref.	1
601	4845039	Box Assembly	1	
602		Gauge, Capacity Indicator Options:	1	
	2420055	Domestic		
	2420050	CSA		
	2420185	Brazil Spec./Latin America Spec.		
603	4160058	Spring	1	
604	3900111	Bolt, Shoulder	1	
605	0100011	Loctite #242 (Not Shown)	A/R	
606	4751400	Flatwasher 1/4"	2	
607	3311405	Locknut 1/4"-20NC	2	
608	4740362	Washer, Fender	2	
609	3960251	Gasket	1	
610		Lens, Indicator Options:	1	
	2960006	Domestic/CSA		
	2960010	Brazil Spec.		
	2960011	Latin America Spec.		
611	3910812	Screw, Machine #8-32NC x 3/4"	10	
612		Cable Options:	1	
	1060369	Standard Platform		
	1060417	Low Mount Platform		
613	4220044	Stop, Throttle	2	
614	1320109	Clamp, Cable	1	
615	4751600	Flatwasher 3/8"	3	
616	4761600	Lockwasher 3/8"	1	
617	3321601	Nut 3/8"-24NC	1	
618		Decal - Instructions Options:	1	
	7012662	Domestic/CSA		
	3252556	Brazil Spec.		
	1703667	Latin America Spec.		
619		Decal - Warning Options:	1	
	7012672	Domestic/CSA		
	3252554	Brazil Spec.		
	1703668	Latin America Spec.		

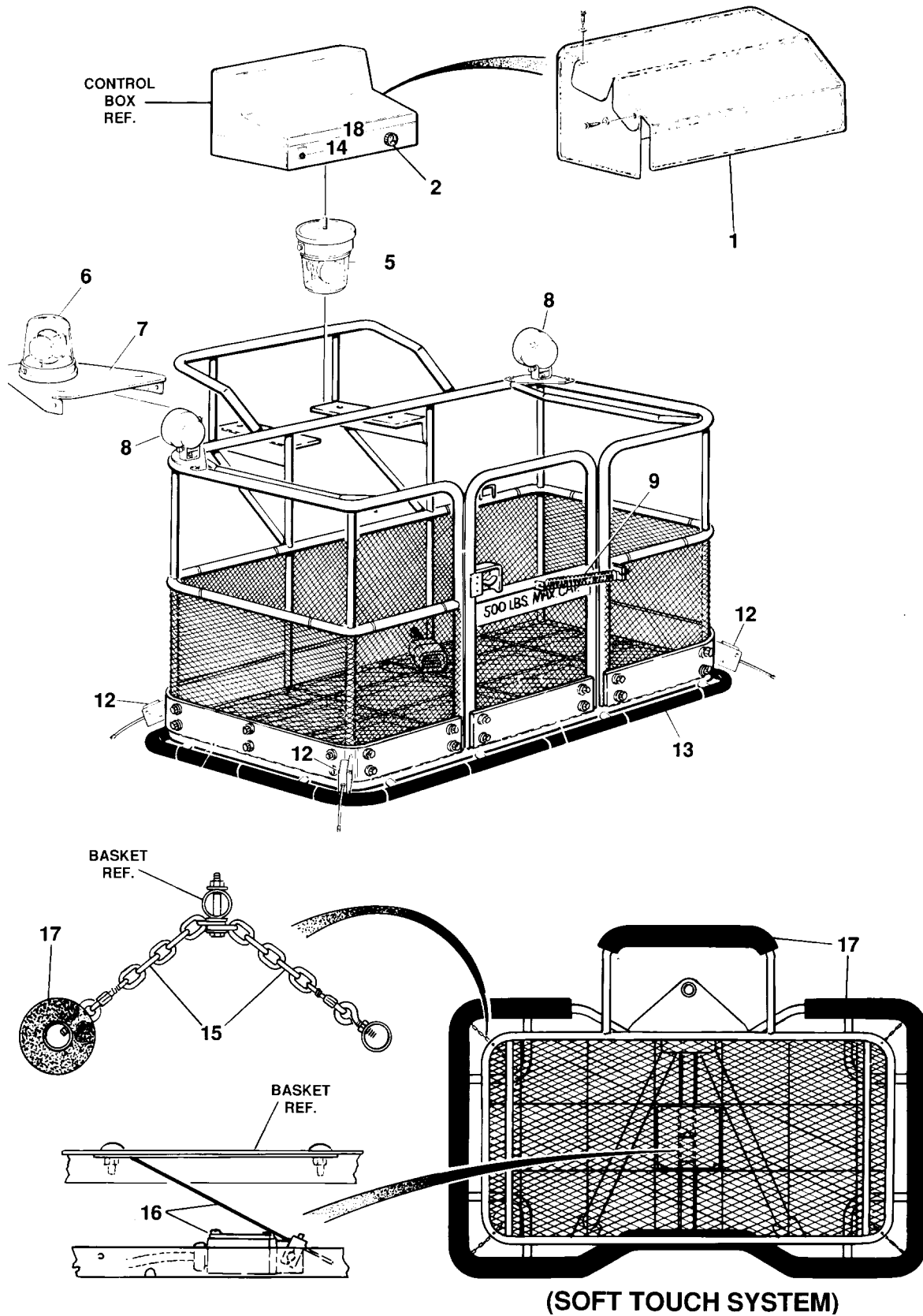
# SECTION 4 PLATFORMS

FIGURE 4-9. CAPACITY INDICATOR INSTALLATION (OPTIONAL). (CONTINUED)

FIG & ITEM #	PART NUMBER	DESCRIPTION	QTY.	REV.

# SECTION 4 PLATFORMS

FIGURE 4-10. OPTIONAL COMMON PLATFORM MOUNTED COMPONENTS.



# SECTION 4 PLATFORMS

**FIGURE 4-10. OPTIONAL COMMON PLATFORM MOUNTED COMPONENTS.**

FIG & ITEM #	PART NUMBER	DESCRIPTION	QTY.	REV.
		<b>OPTIONAL COMMON PLATFORM MOUNTED COMPONENTS</b>	Ref.	
	0237171/0239254	<b>CONSOLE BOX COVER INSTALLATIONS (PRIOR TO SEPTEMBER 1990)</b>	Ref.	A/—
	0252054/0251203	<b>CONSOLE BOX COVER INSTALLATIONS (SEPTEMBER 1990 TO PRESENT)</b>	Ref.	2/2
		<b>Note: See Section 10 for Folding Style Cover.</b>	Ref.	
1		Cover Options:	1	
	1670366	Cover (PQ Controllers/Prior to September 1990)		
	1670482	Cover (OEM Controllers/Prior to September 1990)		
	1670607	Cover (Black/September 1990 to Present)		
	1670526	Cover (Yellow/September 1990 to Present)		
	0253077	<b>ALARM INSTALLATIONS</b>	Ref.	5
2	0140026	Alarm	1	
3 to 4	Not Used			
		<b>BEACON LIGHT OPTIONS:</b>	Ref.	
5	0252211/0252210	<b>Beacon Mounted Under Console (September 1991 to Present)</b>	A/R	3/3
	2920009	Beacon (Red)		
	2920018	Beacon (Amber)		
6	0235980/0235981	<b>Beacon Mounted in Front of Console (Prior to September 1991)</b>	A/R	A/A
	2920009	Beacon (Red)		
	2920100	Beacon (Red) (U/L)		
	2920018	Beacon (Amber)		
	2920096	Beacon (Amber) (U/L)		
7	0901449	Bracket, Mounting		
	2900068	<b>WORKLIGHT OPTIONS (PRIOR TO NOVEMBER 1992)</b>	Ref.	F
	0253987	<b>WORKLIGHT OPTIONS (NOVEMBER 1992 TO PRESENT)</b>	Ref.	4
	0254748	<b>WORKLIGHT OPTIONS WITH PADDED PLATFORM</b>	Ref.	2
8	2920013	Floodlight (Prior to November 1992)	2	
	2920111	Halogen Light (November 1992 to Present) (Uses P/N 3536089 Mounting Plate)	2	
	0250143	<b>SELF-CLOSING GATE INSTALLATION</b>	Ref.	A
9	4160028	Spring	1	
	0900232	Bracket (Door Mounted)	1	
	0901056	Bracket (Platform Mounted)	1	
	4220007	Stop, Door	1	
10 to 11	Not Used			

## SECTION 4 PLATFORMS

FIGURE 4-10. OPTIONAL COMMON PLATFORM MOUNTED COMPONENTS. (CONTINUED)

FIG & ITEM #	PART NUMBER	DESCRIPTION	QTY.	REV.
		<b>PLATFORM BUMPERS INSTALLATION (WELDED-ON TYPE)</b>	Ref.	
	0250689	<b>3' x 5' STANDARD PLATFORM WITH STANDARD CONTROLS</b>	Ref.	C
	0251162	<b>3' x 5' STANDARD PLATFORM WITH HYDRAULIC CONTROLS</b>	Ref.	C
	0251035	<b>3' x 6' STANDARD PLATFORM</b>	Ref.	C
	0251348	<b>3' x 8' STANDARD PLATFORM</b>	Ref.	
	0251349	<b>3' x 5' EXTEND-A-REACH PLATFORM</b>	Ref.	
	0251350	<b>3' x 6' EXTEND-A-REACH PLATFORM</b>	Ref.	
	0250919	<b>3' x 5' LOW MOUNT PLATFORM</b>	Ref.	
	0253462	<b>3' X 6' LOW MOUNT PLATFORM</b>	Ref.	A
	0252902	<b>3' X 8' LOW MOUNT PLATFORM</b>	Ref.	A
12	4360305	Switch, Proximity - U/L Machines	4	
	4360215	Switch, Proximity - Standard Machines	4	
	4460521	Connector, Strain Relief	4	
13	0940038	Padding, Bumper	A/R	
14	4360274	Switch, Push Button (Override)	1	
	3251596	Nameplate - Override	1	
	3740049	Relay (Not Shown)	1	
		<b>PLATFORM BUMPERS INSTALLATION - SOFT TOUCH SYSTEM (CHAIN MOUNTED TYPE)</b>	Ref.	
	0254463	<b>3' x 5' LOW MOUNT PLATFORM</b>	Ref.	6
	0254464	<b>3' x 6' LOW MOUNT PLATFORM</b>	Ref.	7
	0254465	<b>3' x 8' LOW MOUNT PLATFORM</b>	Ref.	7
15	0630440	Eyebolt	8	
	3010088	Link, Quick	8	
	1260136	Chain	A/R	
16	4360057	Switch, Limit	1	
	0200048	Arm, Actuator	1	
17	0940038	Padding (Bottom Rail)	A/R	
	1670663	Cover (Rail Behind Console Box) (Prior to S/N 44770)	1	
	1670664	Cover (LH Top Rail - 36" x 60" Platform)	1	
	1670715	Cover (LH Top Rail - 36" x 72" Platform)	1	
	1670720	Cover (LH Top Rail - 36" x 96" Platform)	1	
	1670665	Cover (Vertical Rails)	4	
	1670666	Cover (Gate)	1	
	1670667	Cover (RH Top Rail - 36" x 60" Platform)	1	
	1670716	Cover (RH Top Rail - 36" x 72" Platform)	1	
	1670721	Cover (RH Top Rail - 36" x 96" Platform)	1	
	1670671	Padding (LH Mid Rail - 36" x 60" Platform)	1	
	1670717	Cover (LH Mid Rail - 36" x 72" Platform)	1	
	1670722	Cover (LH Mid Rail - 36" x 96" Platform)	1	
	1670672	Cover (RH Mid Rail - 36" x 60" Platform)	1	
	1670718	Cover (RH Mid Rail - 36" x 72" Platform)	1	
	1670723	Cover (RH Mid Rail - 36" x 96" Platform)	1	
	1670673	Cover (Bumper Rail - 36" x 60" Platform)	1	



# SECTION 4 PLATFORMS

**FIGURE 4-10. OPTIONAL COMMON PLATFORM MOUNTED COMPONENTS. (CONTINUED)**

FIG & ITEM #	PART NUMBER	DESCRIPTION	QTY.	REV.
17 (cont'd)	1670719	Cover (Bumper Rail - 36" x 72" Platform)	1	
	1670724	Cover (Bumper Rail - 36" x 96" Platform)	1	
18	4360274	Switch, Push Button	1	
	3252238	Decal - Soft Touch System	1	
19	1060341	Cable, 16-2 (S/N 36200 to Present)	12ft/3.7m	

# SECTION 4 PLATFORMS

## SECTION 4 PLATFORMS

FIGURE 4-10. OPTIONAL COMMON PLATFORM MOUNTED COMPONENTS. (CONTINUED)

FIG & ITEM #	PART NUMBER	DESCRIPTION	QTY.	REV.

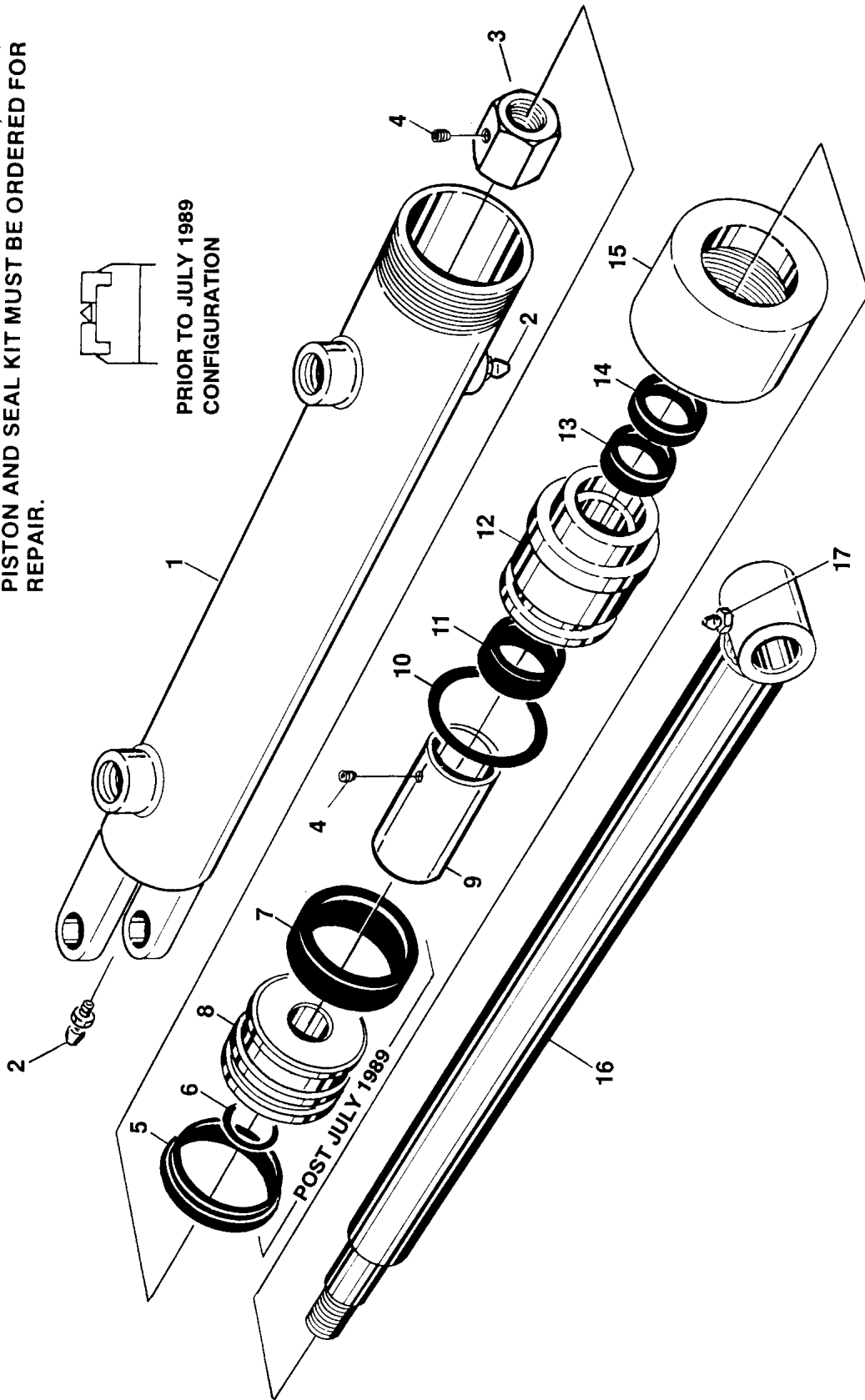
# SECTION 5 CYLINDER

<b>TABLE OF CONTENTS</b>		
<b>FIGURE</b>	<b>DESCRIPTION</b>	<b>PAGE</b>
5-1	AXLE LOCKOUT CYLINDER ASSEMBLY - 4WD/2WS (PRIOR TO SEPTEMBER 1992) (USE WITH OPTIONAL OSCILLATING AXLE) .....	5-2
5-2	AXLE LOCKOUT CYLINDER ASSEMBLY .....	5-6
5-3	LIFT CYLINDER ASSEMBLY - BOOM (PRIOR TO APRIL 1993) .....	5-10
5-4	LIFT CYLINDER ASSEMBLY - BOOM (APRIL 1993 TO PRESENT).....	5-12
5-5	LIFT CYLINDER ASSEMBLY - EXTEND-A-REACH (40H+6 ONLY) .....	5-14
5-6	MASTER CYLINDER ASSEMBLIES .....	5-16
5-7	SLAVE LEVEL CYLINDER ASSEMBLIES (BUILT PRIOR TO JANUARY 1987) .....	5-18
5-8	SLAVE LEVEL CYLINDER ASSEMBLIES (JANUARY 1987 TO APRIL 1992).....	5-20
5-9	SLAVE LEVEL CYLINDER ASSEMBLIES (APRIL 1992 TO PRESENT).....	5-22
5-10	SLAVE LEVEL CYLINDER ASSEMBLIES (MODEL 40H+6 EXTEND-A-REACH) (PRIOR TO S/N 47925) .....	5-24
5-11	SLAVE LEVEL CYLINDER ASSEMBLIES (MODEL 40H+6 EXTEND-A-REACH) (S/N 47925 TO PRESENT).....	5-26
5-12	STEER CYLINDER ASSEMBLY - 2WD (PRIOR TO MID 1984).....	5-28
5-13	STEER CYLINDER ASSEMBLY - 2WD (MID 1984 TO PRESENT).....	5-30
5-14	STEER CYLINDER ASSEMBLY - 4WD .....	5-32
5-15	TELESCOPE CYLINDER ASSEMBLY (2-SECTION) (PRIOR TO JULY 1985) .....	5-34
5-16	TELESCOPE CYLINDER ASSEMBLY (2-SECTION) (JULY 1985 TO PRESENT) .....	5-36
5-17	TELESCOPE CYLINDER ASSEMBLY (3-SECTION).....	5-38
5-18	CYLINDER BELLOWS INSTALLATION .....	5-40

# SECTION 5 CYLINDER

FIGURE 5-1. AXLE LOCKOUT CYLINDER ASSEMBLY - 4WD/2WS (PRIOR TO SEPTEMBER 1992) (USE WITH OPTIONAL OSCILLATING AXLE)

NOTE: THIS PISTON/SEAL CONFIGURATION NO LONGER AVAILABLE. IF EQUIPPED, NEW PISTON AND SEAL KIT MUST BE ORDERED FOR REPAIR.



# SECTION 5 CYLINDER

**FIGURE 5-1. AXLE LOCKOUT CYLINDER ASSEMBLY - 4WD/2WS (PRIOR TO SEPTEMBER 1992)  
(USE WITH OPTIONAL OSCILLATING AXLE)**

FIG & ITEM #	PART NUMBER	DESCRIPTION	QTY.	REV.
		<b>Note: This seal arrangement used on 2WD machines built prior to March 1985 and 4WD machines built prior to april 1993.</b>	Ref.	
	1681523	<b>LOCKOUT CYLINDER ASSEMBLY (2WD BUILT PRIOR TO MID 1984)</b>	Ref.	B
	1681536	<b>LOCKOUT CYLINDER ASSEMBLY (2WD BUILT MID 1984 TO MARCH 1985)</b>	Ref.	B
	1681556	<b>LOCKOUT CYLINDER ASSEMBLY (4WD -BUILT PRIOR TO MARCH 1985)</b>	Ref.	A
	1681571	<b>LOCKOUT CYLINDER ASSEMBLY (4WD - BUILT MARCH 1985 TO APRIL 1993)</b>	Ref.	G
1		Barrel Options:	1	
	1680726	2WD Built Prior to Mid 1984		
	1680741	2WD Built Mid 1984 to March 1985		
	1680760	4WD Built Prior to March 1985		
	1681458	4WD Built March 1985 to April 1993		
2		Options:	A/R	
	4640273	Bleeder (Machines Built Prior to March 1985)	4	
	3900175	Setscrew 1/4"-28NC x 3/4" (Machines Built March 1985 to April 1993)	4	
	3960416	Seal, Thread	A/R	
	3321401	Nut 1/4"-28NC	4	
3		Nut Options:	1	
	1120108	2WD Built Prior to Mid 1984		
	3300187	2WD Built Mid 1984 to March 1985		
	3300273	4WD Built Prior to April 1993		
4		Setscrew Options:	A/R	
	3900141	Machines Built Prior to March 1985	3	
	3900170	Machines Built March 1985 to April 1993	1	
5	Kit	Seal, Tee	1	
6	Kit	O-Ring	1	
7	Kit	Ring, Wear	1	
8		Piston Options:	1	
	3480134	2WD Built Prior to Mid 1984		
	3480120	2WD Built Mid 1984 to March 1985		
	3480107	4WD Built Prior to March 1985		
	3480134	4WD Built March 1985 to April 1993		
9		Spacer Options:	1	
	4562595	2WD Built Prior to Mid 1984		
	4562687	2WD Built Mid 1984 to March 1985		
	4562859	4WD Built Prior to April 1993		
10	Kit	O-Ring	1	
	Kit	Ring, Backup (4WD Built Prior to March 1985 Only)	1	
11	Kit	Ring, Wear	1	

## SECTION 5 CYLINDER

FIGURE 5-1. AXLE LOCKOUT CYLINDER ASSEMBLY - 4WD/2WS (PRIOR TO SEPTEMBER 1992)  
(USE WITH OPTIONAL OSCILLATING AXLE) (CONTINUED)

FIG & ITEM #	PART NUMBER	DESCRIPTION	QTY.	REV.
12		Head Options:	1	
	1681344	2WD Built Prior to Mid 1984		
	1680892	2WD Built Mid 1984 to March 1985		
	1680892	4WD Built Prior to March 1985		
	1681322	4WD Built March 1985 to April 1993		
13	Kit	Seal, Rod	1	
14	Kit	Wiper, Rod	1	
15		Retainer, Head Options:	1	
	1120108	2WD Built Prior to Mid 1984		
	1120179	2WD Built Mid 1984 to March 1985		
	1120179	4WD Built Prior to March 1985		
	1120108	4WD Built March 1985 to April 1993		
16		Rod Options:	1	
	1681342	2WD Built Prior to Mid 1984		
	1681383	2WD Built Mid 1984 to March 1985		
	1681414	4WD Built Prior to March 1985		
	1681460	4WD Built March 1985 to April 1993		
17		Fitting, Grease Options:	1	
	2160006	2WD Built Prior to Mid 1984		
	2160002	2WD Built Mid 1984 to March 1985		
	2160002	4WD Built Prior to March 1985		
	2160003	4WD Built March 1985 to April 1993		
		-----		
	0100011	Loctite #242	A/R	
	0100038	Primer, Locking	A/R	
	0100035	Loctite #222	A/R	
		-----		
	2901123	Seal Kit - 1681523 Cylinder (Includes Items 5,6,7,10,11,13 and 14)	1	
	2901119	Seal Kit - 1681536 Cylinder (Includes Items 5,6,7,10,11,13 and 14)	1	
	2900095	Seal Kit - 1681556 Cylinder (Includes Items 5,6,7,10,11,13 and 14)	1	
	2901148	Seal Kit - 1681571 Cylinder (Includes Items 5,6,7,10,11,13 and 14)	1	

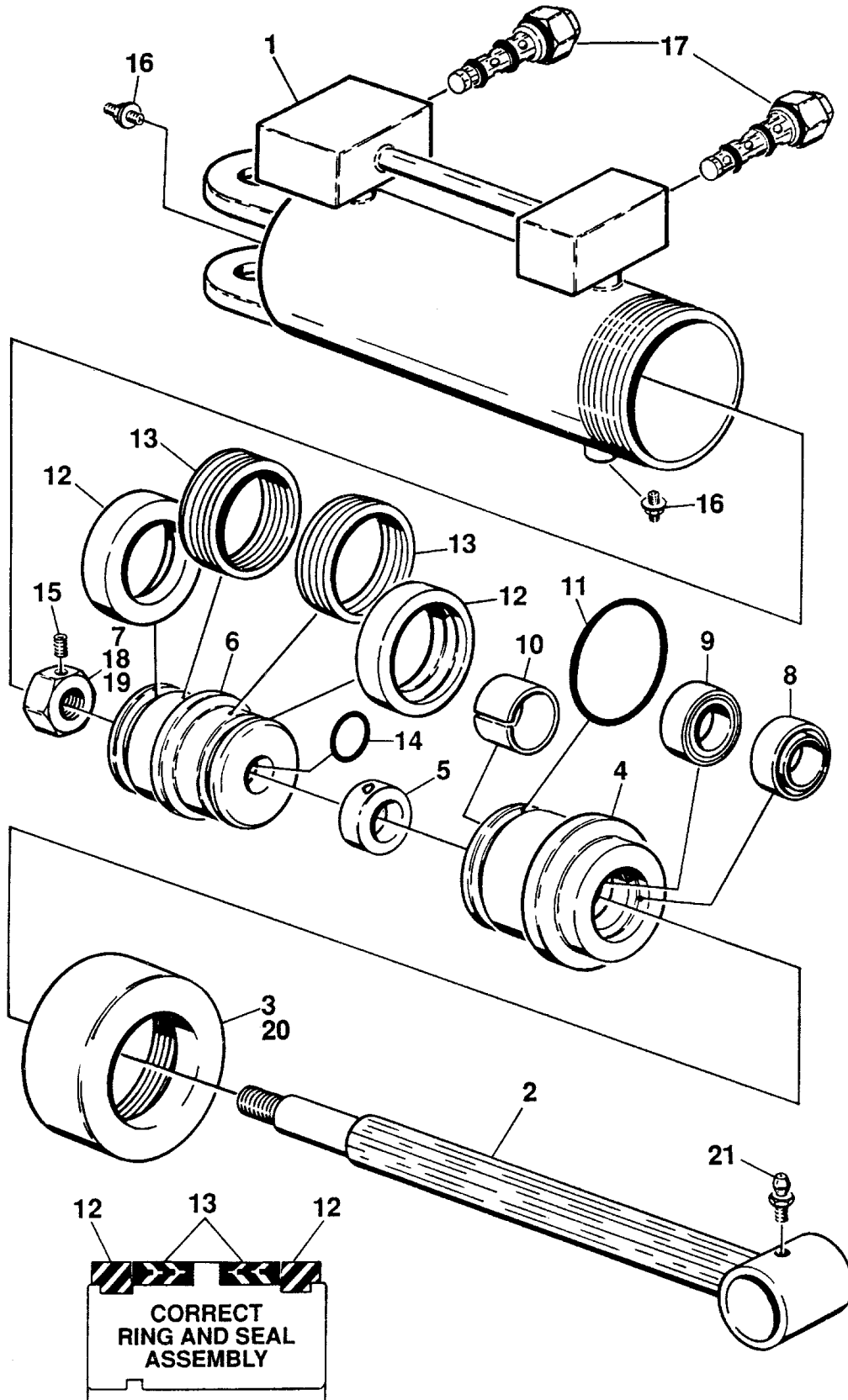
# SECTION 5 CYLINDER

FIGURE 5-1. AXLE LOCKOUT CYLINDER ASSEMBLY - 4WD/2WS (PRIOR TO SEPTEMBER 1992)  
(USE WITH OPTIONAL OSCILLATING AXLE) (CONTINUED)

FIG & ITEM #	PART NUMBER	DESCRIPTION	QTY.	REV.

# SECTION 5 CYLINDER

FIGURE 5-2. AXLE LOCKOUT CYLINDER ASSEMBLY





# SECTION 5 CYLINDER

**FIGURE 5-2. AXLE LOCKOUT CYLINDER ASSEMBLY**

FIG & ITEM #	PART NUMBER	DESCRIPTION	QTY.	REV.
		<b>Note: This seal arrangement used on 2WD machines built March 1985 to present and 4WD machines built April 1993 to present.</b>	Ref.	
	1681572	<b>LOCKOUT CYLINDER ASSEMBLY (2WD BUILT MARCH 1985 TO JANUARY 1992)</b>	Ref.	F
	1682873	<b>LOCKOUT CYLINDER ASSEMBLY (2WD BUILT JANUARY 1992 TO PRESENT)</b>	Ref.	—
	1682727	<b>LOCKOUT CYLINDER ASSEMBLY (4WD - BUILT APRIL 1993 TO PRESENT)</b>	Ref.	B
1		Barrel Options:	1	
	1681461	2WD Built March 1985 to January 1992		
	1682874	2WD Built January 1992 to Present		
	1682728	4WD Built April 1993 to Present		
2		Rod Options:	1	
	1681462	2WD Built March 1985 to January 1992		
	1681462	2WD Built January 1992 to Present		
	1682730	4WD Built April 1993 to Present		
3	1120108	Retainer	1	
4	1681322	Head	1	
5		Spacer Options:	1	
	4562859	2WD Built March 1985 to January 1992		
	4562859	2WD Built January 1992 to Present		
	3951403	Setscrew 1/4"-20NC x 3/8"	1	
	4565816	4WD Built April 1993 to Present		
6	3480116	Piston	1	
7	3300273	Nut, Hex	1	
8	Kit	Seal, Wiper	1	
9	Kit	Seal, Rod	1	
10	Kit	Ring, Wear	1	
11	Kit	O-Ring	1	
12	Kit	Ring, Lock	2	
13	Kit	Seal, Piston	2	
14	Kit	O-Ring	1	
15	3900170	Setscrew 3/8"-16NC x 3/8"	1	
16	3900175	Setscrew 1/4"-28NC x 3/4"	3	
	3321401	Nut 1/4"-28NC	3	
	3960416	Seal, Thread	A/R	
17		Valve, Counterbalance Options:	2	
	Not Required	2WD Built March 1985 to January 1992		
	4640509	2WD Built January 1992 to Present		
	2900792	Seal Kit - 4640509 (1 Per Cartridge)	2	
	4640509	4WD Built April 1993 to Present		
	2900792	Seal Kit - 4640509 Valve (1 Per Cartridge)	2	
18	0100011	Loctite	A/R	
19	0100038	Loctite, Primer	A/R	
20	0100035	Locking Compound	A/R	

## SECTION 5 CYLINDER

**FIGURE 5-2. AXLE LOCKOUT CYLINDER ASSEMBLY (CONTINUED)**

FIG & ITEM #	PART NUMBER	DESCRIPTION	QTY.	REV.
21	2160003 2160002 2160002	Fitting, Grease Options: 2WD Built March 1985 to January 1992 2WD Built January 1992 to Present 4WD Built April 1993 to Present -----	1	
	2900379	Kit, Seal (Includes Items 8-14)	1	

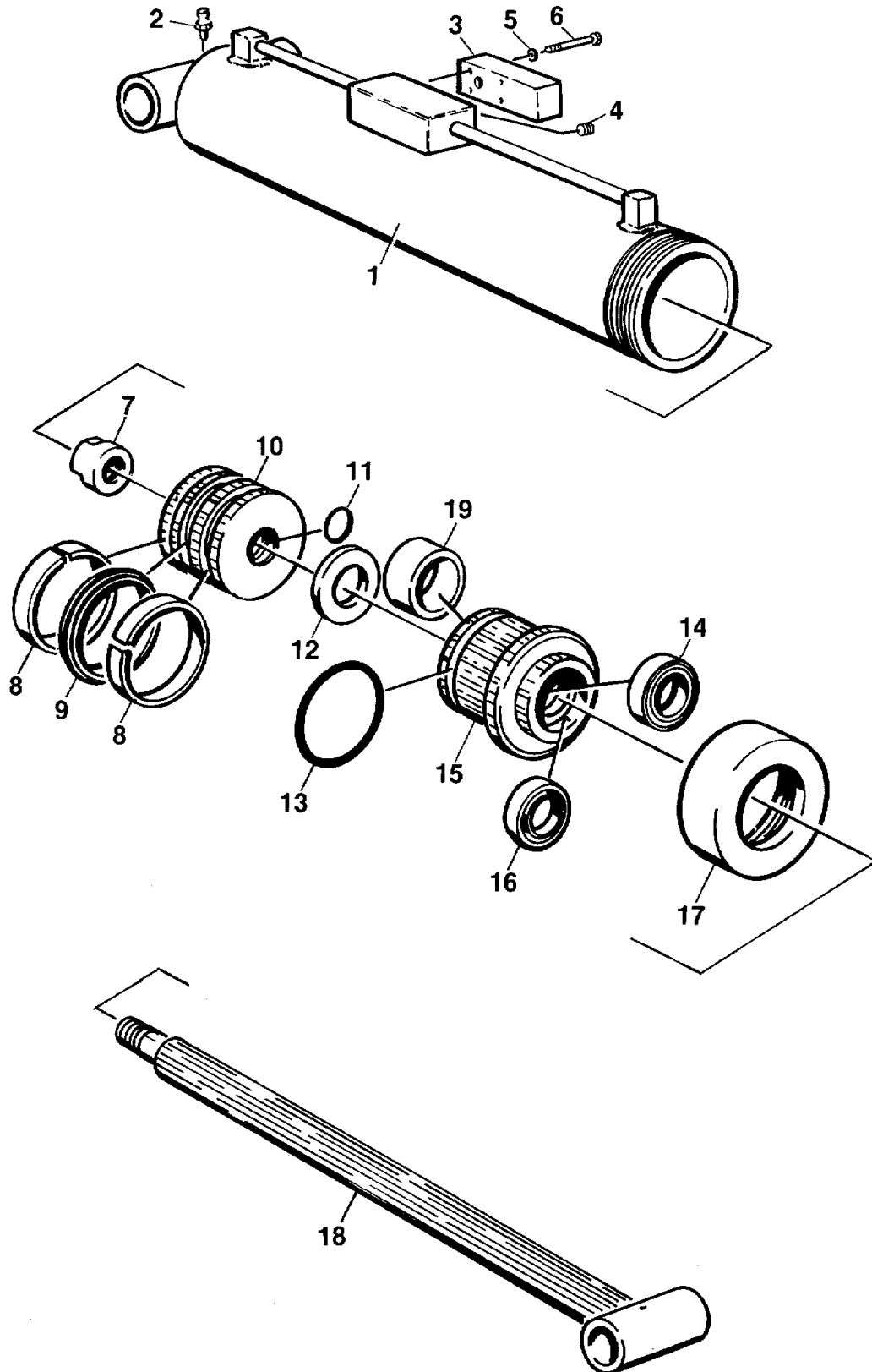
# SECTION 5 CYLINDER

FIGURE 5-2. AXLE LOCKOUT CYLINDER ASSEMBLY (CONTINUED)

FIG & ITEM #	PART NUMBER	DESCRIPTION	QTY.	REV.

# SECTION 5 CYLINDER

FIGURE 5-3. LIFT CYLINDER ASSEMBLY - BOOM (PRIOR TO APRIL 1993)



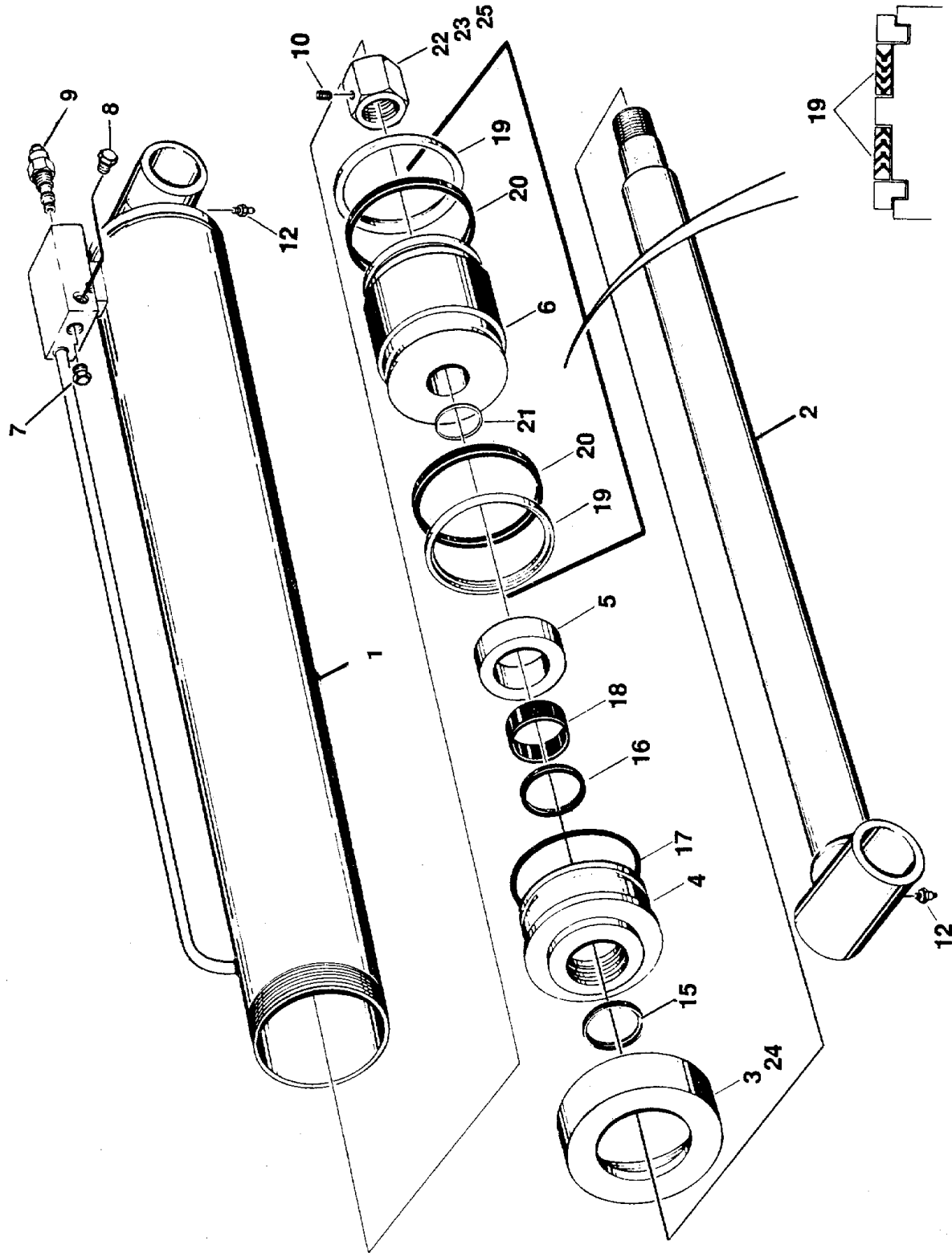
# SECTION 5 CYLINDER

**FIGURE 5-3. LIFT CYLINDER ASSEMBLY - BOOM (PRIOR TO APRIL 1993)**

FIG & ITEM #	PART NUMBER	DESCRIPTION	QTY.	REV.
	1680365	<b>LIFT CYLINDER ASSEMBLY - BOOM (PRIOR TO APRIL 1993)</b>	Ref.	M
1	1680758	Barrel	1	
2	2160002	Fitting, Grease	1	
3	4640181	Valve	1	
4	3900035	Setscrew 1/2"-13NC x 1/2"	1	
5	Not Required			
6	3931440	Bolt 1/4"-20NF x 2 1/2"	4	
7	3300291	Nut	1	
	0100011	Loctite	A/R	
	0100038	Loctite, Primer	A/R	
8	Kit	Ring, Wear	2	
9	Kit	Seal, "T"	1	
10	3480070	Piston	1	
11	Kit	O-Ring	1	
12	1440159	Spacer	1	
13	Kit	O-Ring	1	
14	Kit	Seal, Polypak	1	
15	1680872	Head	1	
16	Kit	Seal, Canned	1	
17	1120196	Retainer	1	
	0100035	Compound, Thread Locking	A/R	
18	1681222	Rod	1	
19	Kit	Ring, Wear	1	
	2900385	----- Seal Kit (Includes Items 8, 9, 11, 13, 14, 16, and 19)	1	

# SECTION 5 CYLINDER

FIGURE 5-4. LIFT CYLINDER ASSEMBLY - BOOM (APRIL 1993 TO PRESENT)



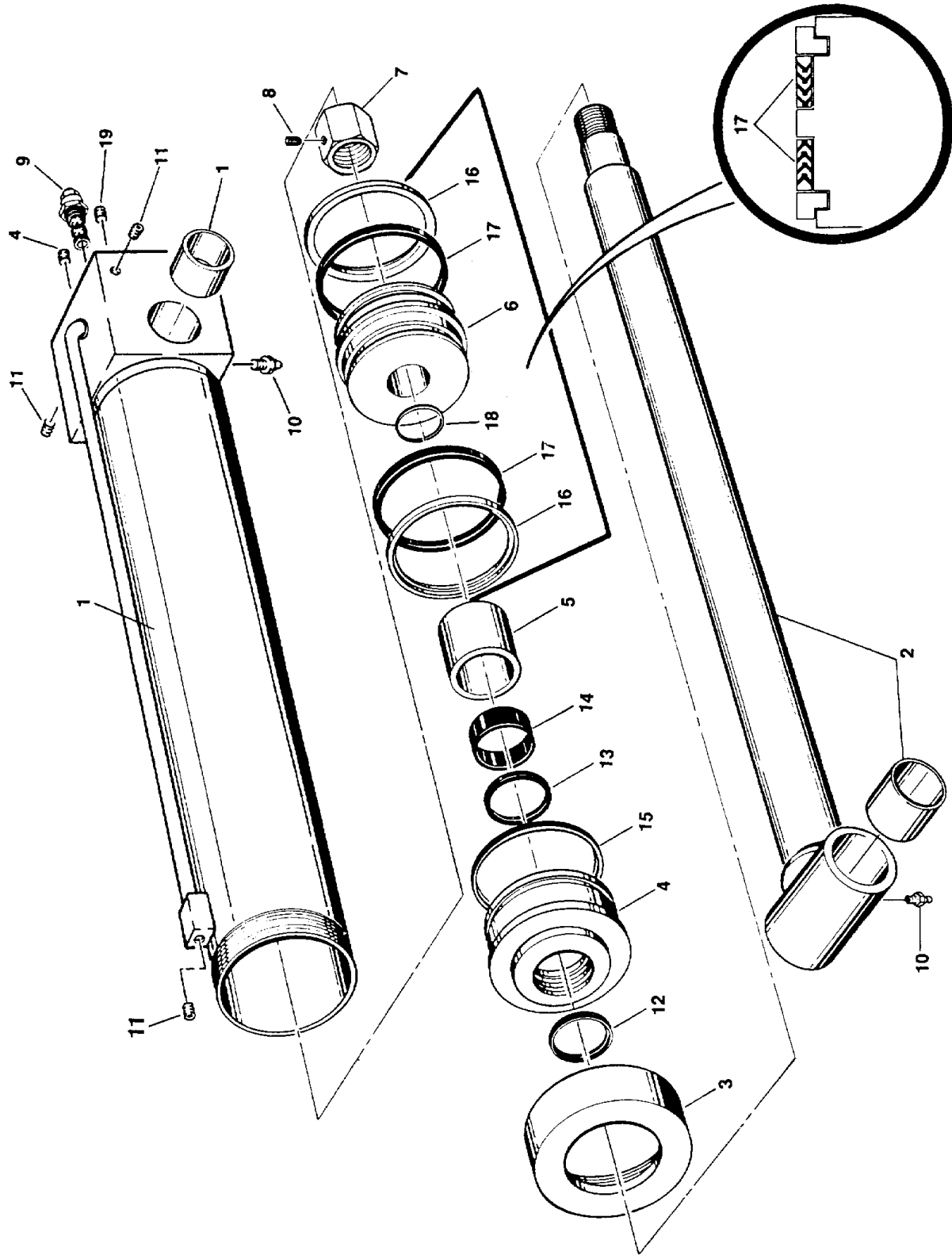
# SECTION 5 CYLINDER

**FIGURE 5-4. LIFT CYLINDER ASSEMBLY - BOOM (APRIL 1993 TO PRESENT)**

FIG & ITEM #	PART NUMBER	DESCRIPTION	QTY.	REV.
	1682697	<b>LIFT CYLINDER ASSEMBLY - BOOM (APRIL 1993 TO PRESENT)</b>	Ref.	B
1	1682698	Barrel	1	
2	1682700	Rod	1	
3	1120196	Retainer	1	
4	1680872	Head	1	
5	4565803	Spacer	1	
6	3480165	Piston	1	
7	2220887	Plug, O-Ring	1	
8	2220883	Plug, O-Ring	1	
9	4640495	Valve, Cartridge	1	
	2900770	Seal Kit - 4640495 Valve	1	
10	3900170	Setscrew 3/8"-16NC x 3/8"	1	
11	Not Required			
12	2160002	Fitting, Grease	2	
13	Not Required			
14	Not Required			
15	Kit	Wiper	1	
16	Kit	Seal, Rod	1	
17	Kit	O-Ring	1	
18	Kit	Ring, Wear	1	
19	Kit	Ring, Guidelock	2	
20	Kit	Seal, Hydrolock	2	
21	Kit	O-Ring	1	
22	0100011	Loctite #242	A/R	
23	0100038	Loctite, Primer	A/R	
24	0100035	Loctite #222	A/R	
25	3300281	Nut	1	
	2901219	Seal Kit (Includes Items 15-21)	1	

# SECTION 5 CYLINDER

FIGURE 5-5. LIFT CYLINDER ASSEMBLY - EXTEND-A-REACH (40H+6 ONLY)





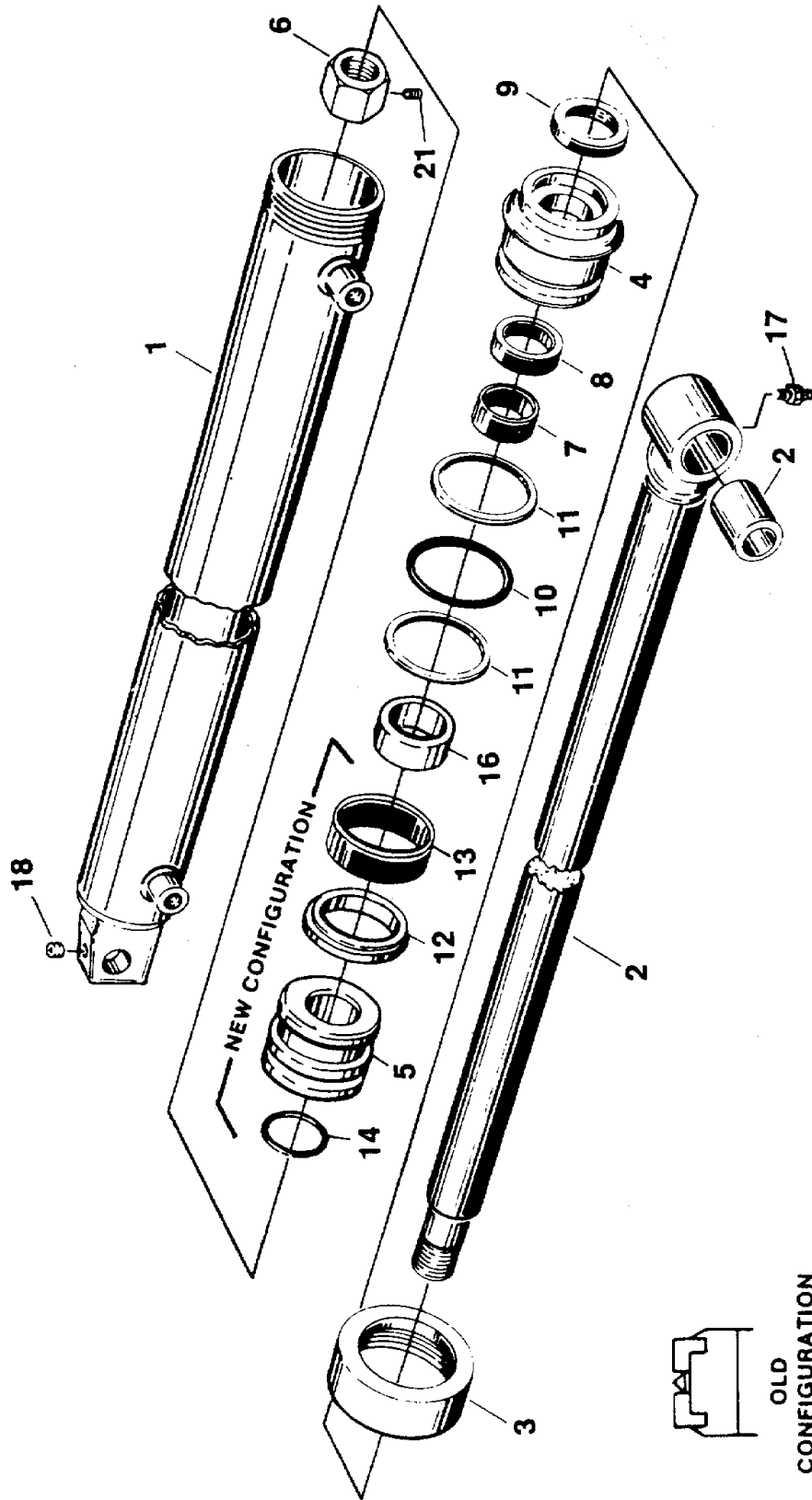
# SECTION 5 CYLINDER

**FIGURE 5-5. LIFT CYLINDER ASSEMBLY - EXTEND-A-REACH (40H+6 ONLY)**

FIG & ITEM #	PART NUMBER	DESCRIPTION	QTY.	REV.
	1681730	<b>LIFT CYLINDER ASSEMBLY</b>	Ref.	G
1	1681731	Barrel Weldment	1	
	0961185	Bushing, Bronze	2	
2	1681732	Rod Weldment	1	
	0961024	Bushing, Bronze	2	
3	1120108	Retainer	1	
	0100035	Loctite #222	A/R	
4	1681283	Head	1	
5	4563577	Spacer	1	
6	3480126	Piston	1	
7	3300278	Nut	1	
	0100011	Loctite #242	A/R	
	0100038	Loctite Primer	A/R	
8	3900170	Setscrew 3/8"-16NC x 3/8"	1	
9	4640495	Cartridge, Holding Valve (Prior to August 1995)	1	
	4640771	Cartridge, Holding Valve (August 1995 to Present)	1	
	2900770	Seal Kit - 4640495 and 4640771 Valves	1	
10	Not Required			
11	2200201	Plug, Pipe	3	
	0100020	Sealant, Pipe	A/R	
12	Kit	Wiper, Rod	1	
13	Kit	Seal, Rod	1	
14	Kit	Ring, Wear	1	
15	Kit	O-Ring	1	
16	Kit	Ring, Wear	2	
17	Kit	Seal	2	
18	Kit	O-Ring	1	
19	2200222	Plug, Pipe	2	
	0100020	Sealant, Pipe	A/R	
	2901113	----- Kit, Seal (Includes Items 12-18)	1	

# SECTION 5 CYLINDER

FIGURE 5-6. MASTER CYLINDER ASSEMBLIES



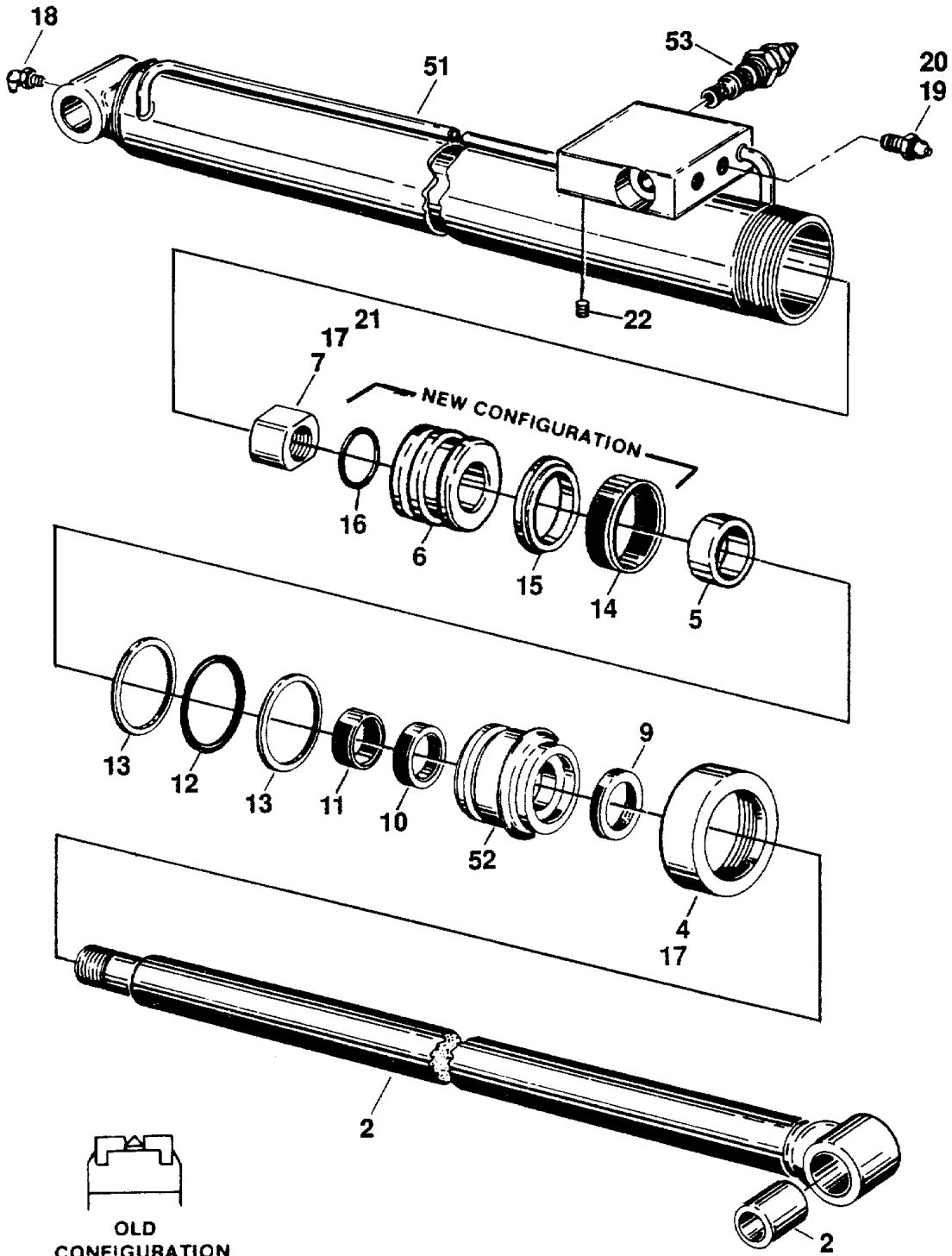
# SECTION 5 CYLINDER

**FIGURE 5-6. MASTER CYLINDER ASSEMBLIES**

FIG & ITEM #	PART NUMBER	DESCRIPTION	QTY.	REV.
	1681519	<b>MASTER CYLINDER (PRIOR TO NOVEMBER 1984)</b>	Ref.	C
	1681547	<b>MASTER CYLINDER ASSEMBLY (NOVEMBER 1984 TO MAY 1985)</b>	Ref.	B
	1681580	<b>MASTER CYLINDER ASSEMBLY (MAY 1985 TO PRESENT)</b>	Ref.	F
1		Barrel Options:	1	
	1680723	Prior to May 1985		
	1681490	May 1985 to Present		
2		Rod Options:	1	
	1681333	Rod (Prior to November 1984)		
	0960555	Bushing, Bronze	1	
	1681401	Rod (November 1984 to May 1985)		
	0960097	Bushing, Bronze	1	
	1681488	Rod (May 1985 to Present)		
	0960097	Bushing, Bronze	1	
3	1120179	Retainer	1	
4	1680892	Head	1	
5	3480120	Piston	1	
6		Nut Options:	1	
	3300101	Prior to May 1985		
	3300272	May 1985 to Present		
7	Kit	Ring, Wear	1	
8	Kit	Seal, Rod	1	
9	Kit	Wiper, Rod	1	
10	Kit	O-Ring	1	
11	Kit	Ring, Back-up	2	
12	Kit	Seal, Piston	1	
13	Kit	Ring, Wear	1	
14	Kit	O-Ring	1	
15	Not Used			
16		Spacer Options:	1	
	1440142	Prior to May 1985		
	4563031	May 1985 to Present		
17	2160002	Fitting, Grease	1	
18	2200201	Plug, Pipe 1/8 NPT	1	
19 to 20	Not Used			
21	3900170	Setscrew 3/8"-16NC x 3/8"	1	
		-----		
	0100011	Loctite #242	A/R	
	0100038	Loctite, Primer	A/R	
	0100035	Loctite #222	A/R	
		-----		
	2901119	Seal Kit - 1681519 Cylinder (Includes Items 7-14)	1	
	2901119	Seal Kit - 1681547 Cylinder (Includes Items 7-14)	1	
	2900381	Seal Kit - 1681580 Cylinder (Includes Items 7-14)	1	

# SECTION 5 CYLINDER

FIGURE 5-7. PLATFORM LEVEL CYLINDER ASSEMBLIES (BUILT PRIOR TO JANUARY 1987)



**NOTE: THIS PISTON/SEAL CONFIGURATION NO LONGER AVAILABLE. IF EQUIPPED, NEW PISTON AND SEAL KIT MUST BE ORDERED FOR REPAIR.**

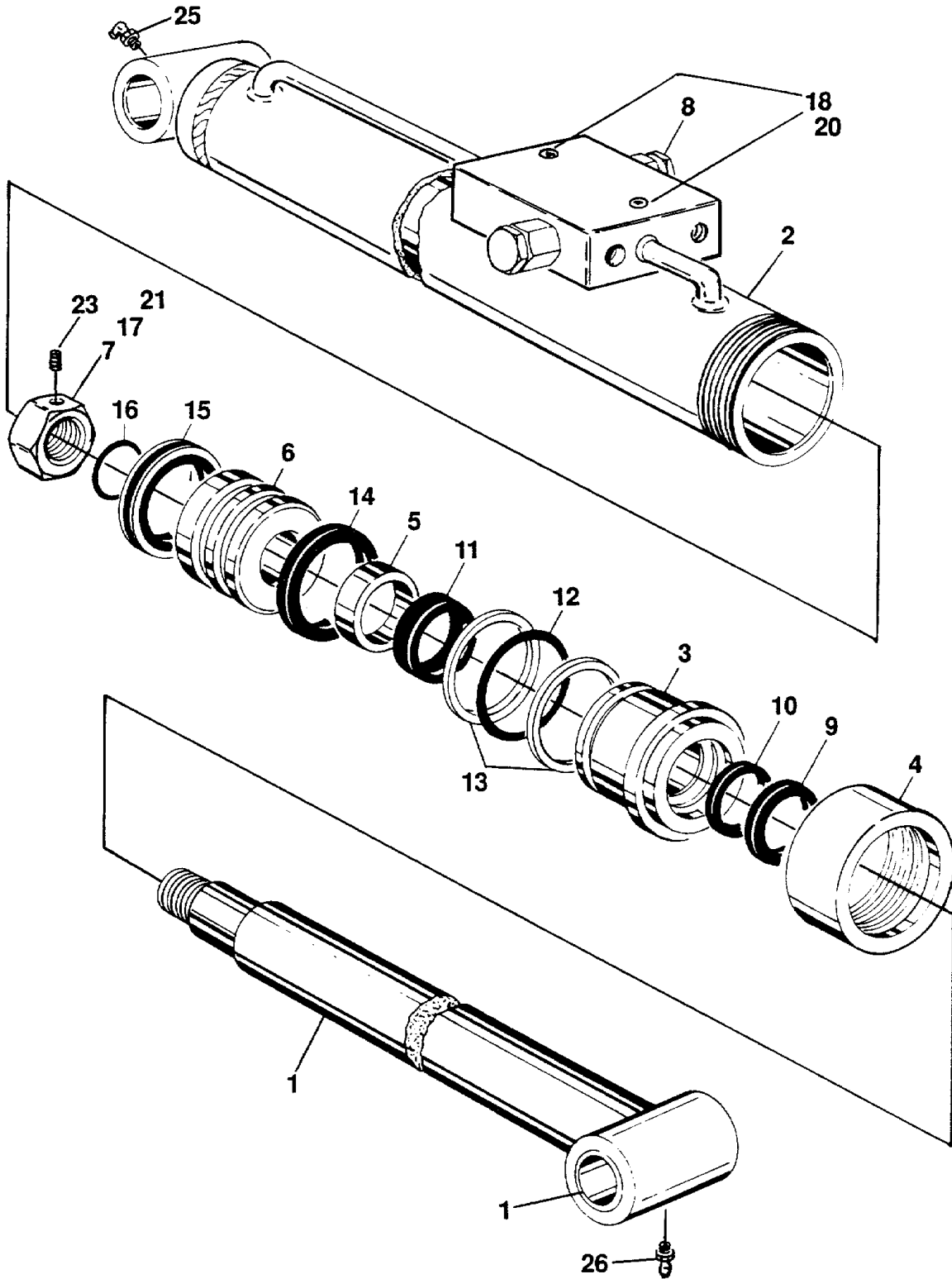
# SECTION 5 CYLINDER

**FIGURE 5-7. PLATFORM LEVEL CYLINDER ASSEMBLIES (BUILT PRIOR TO JANUARY 1987)**

FIG & ITEM #	PART NUMBER	DESCRIPTION	QTY.	REV.
		<b>PLATFORM LEVEL CYLINDER ASSEMBLY (STANDARD PARTS)</b>	Ref.	
1	Not Used			
2	1681331	Rod Assembly	1	
	0960097	Bushing	1	
3	Not Used			
4	1120179	Retainer	1	
5	1440142	Spacer	1	
6		Piston Options:	1	
	Not Available	Piston (Prior to Mid 1989) (See Note Illustration Page)		
	3480120	Piston (Mid 1989 to Present)		
7	3300272	Nut, Hex (Replacement)	1	
	3900170	Setscrew	1	
8	Not Used			
9	Kit	Seal, Wiper	1	
10	Kit	Seal, Rod	1	
11	Kit	Ring, Wear	1	
12	Kit	O-Ring	1	
13	Kit	Ring, Back-up	2	
14	Kit	Ring, Wear	1	
15	Kit	Seal, Piston	1	
16	Kit	O-Ring	1	
17	0100011	Loctite #242	A/R	
18	2160001	Fitting, Grease - 90°	1	
19	2200213	Plug, Pipe - 3/8"	2	
20	0100020	Sealant, Pipe	A/R	
21	0100021	Primer, Locking	A/R	
22	2200201	Plug, Pipe 1/8"	2	
		<b>PLATFORM LEVEL CYLINDER ASSEMBLIES (VARIABLE PARTS)</b>	Ref.	
	1681518	<b>PRIOR TO JULY 1985</b>	Ref.	C
	1681548	<b>JULY 1985 TO JANUARY 1987</b>	Ref.	F
51		Barrel Assembly Options:	1	
	1680722	Prior to July 1985		
	1680751	July 1985 to January 1987		
52		Head Options:	1	
	1680892	Prior to July 1985		
	1681635	July 1985 to January 1987		
53		Valve, Cartridge Options:	A/R	
	4640269	Valve, Cartridge (Prior to July 1985)	1	
	4640495	Valve, Cartridge (July 1985 to January 1987)	2	
	2900770	Seal Kit - 4640495 Valve (1 Per Cartridge)	2	
	2901119	Seal Kit - 1681518 Cylinder (Includes Items 9-16)	1	
	2901120	Seal Kit - 1681548 Cylinder (Includes Items 9-16)	1	

# SECTION 5 CYLINDER

FIGURE 5-8. PLATFORM LEVEL CYLINDER ASSEMBLIES (BUILT JANUARY 1987 TO APRIL 1992)



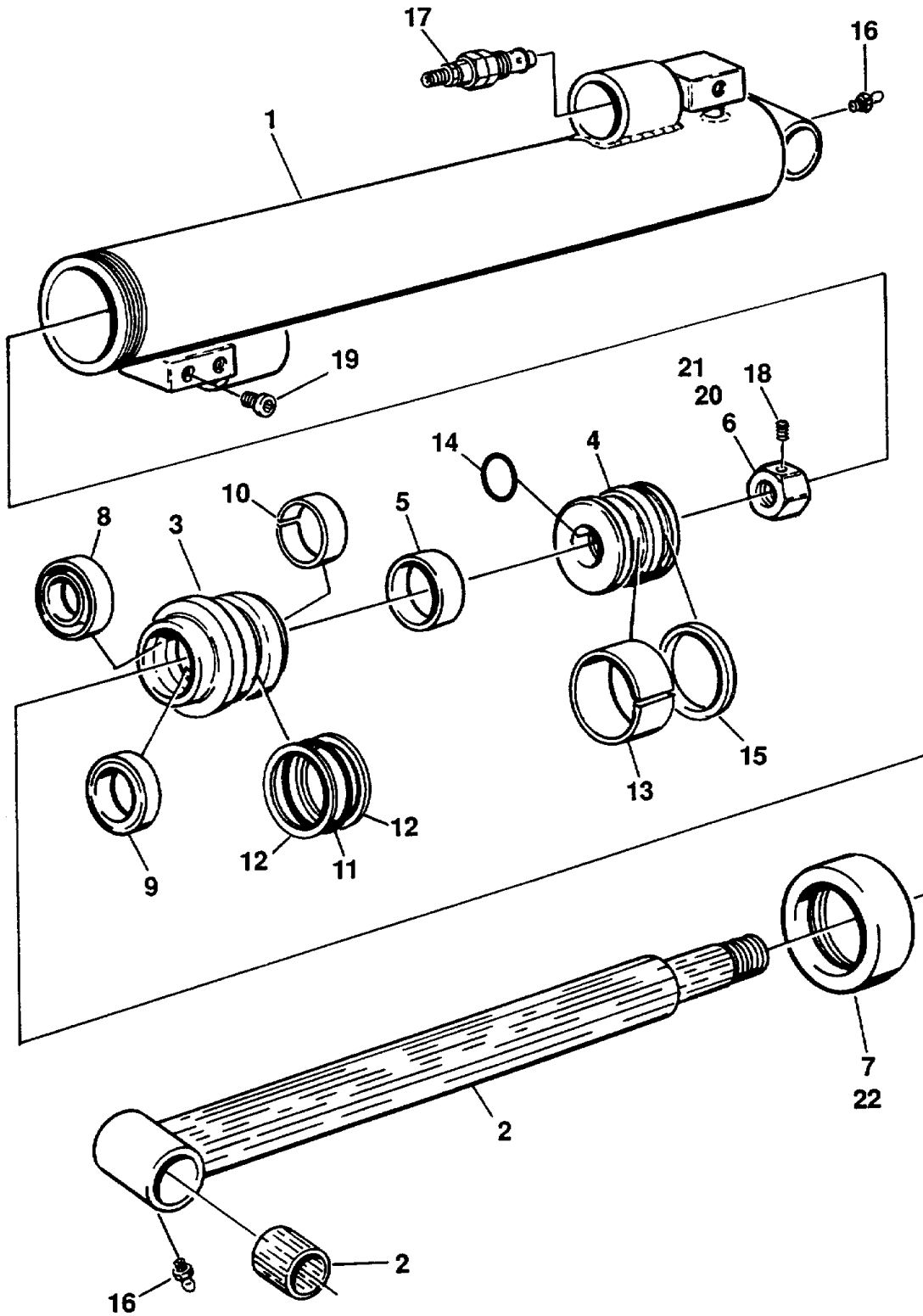
# SECTION 5 CYLINDER

**FIGURE 5-8. PLATFORM LEVEL CYLINDER ASSEMBLIES (BUILT JANUARY 1987 TO APRIL 1992)**

FIG & ITEM #	PART NUMBER	DESCRIPTION	QTY.	REV.
	1681722	<b>PLATFORM LEVEL CYLINDER ASSEMBLY</b>	Ref.	D
1	1681331	Rod Assembly	1	
	0960097	Bushing, Bronze	1	
2	1681721	Barrel Assembly	1	
3	1680892	Head	1	
4	1120179	Retainer	1	
5	1440142	Spacer	1	
6	3480120	Piston	1	
7	3300272	Nut	1	
8	4640509	Valve, Cartridge	2	
	2900792	Seal Kit - 4640509 Valve	2	
9	Kit	Seal, Wiper	1	
10	Kit	Seal, Rod	1	
11	Kit	Ring, Wear	1	
12	Kit	O-Ring	1	
13	Kit	Ring, Back-up	2	
14	Kit	Ring, Wear	1	
15	Kit	Seal, Piston	1	
16	Kit	O-Ring	1	
17	0100011	Loctite #242	A/R	
18	2200201	Plug 1/8"	2	
19	2200202	Plug 1/4"	2	
20	0100020	Sealant, Thread	A/R	
21	0100038	Primer, Locking	A/R	
22	Not Used			
23	3900170	Setscrew 3/8"-16NC x 3/8"	1	
24	0100035	Locking Compound	A/R	
25	2160001	Fitting, Grease - 90°	1	
26	2160002	Fitting, Grease	1	
	2900381	Seal Kit - 1681722 Cylinder (Includes Items 9-16)	1	

# SECTION 5 CYLINDER

FIGURE 5-9. PLATFORM LEVEL CYLINDER ASSEMBLIES (BUILT APRIL 1992 TO PRESENT)





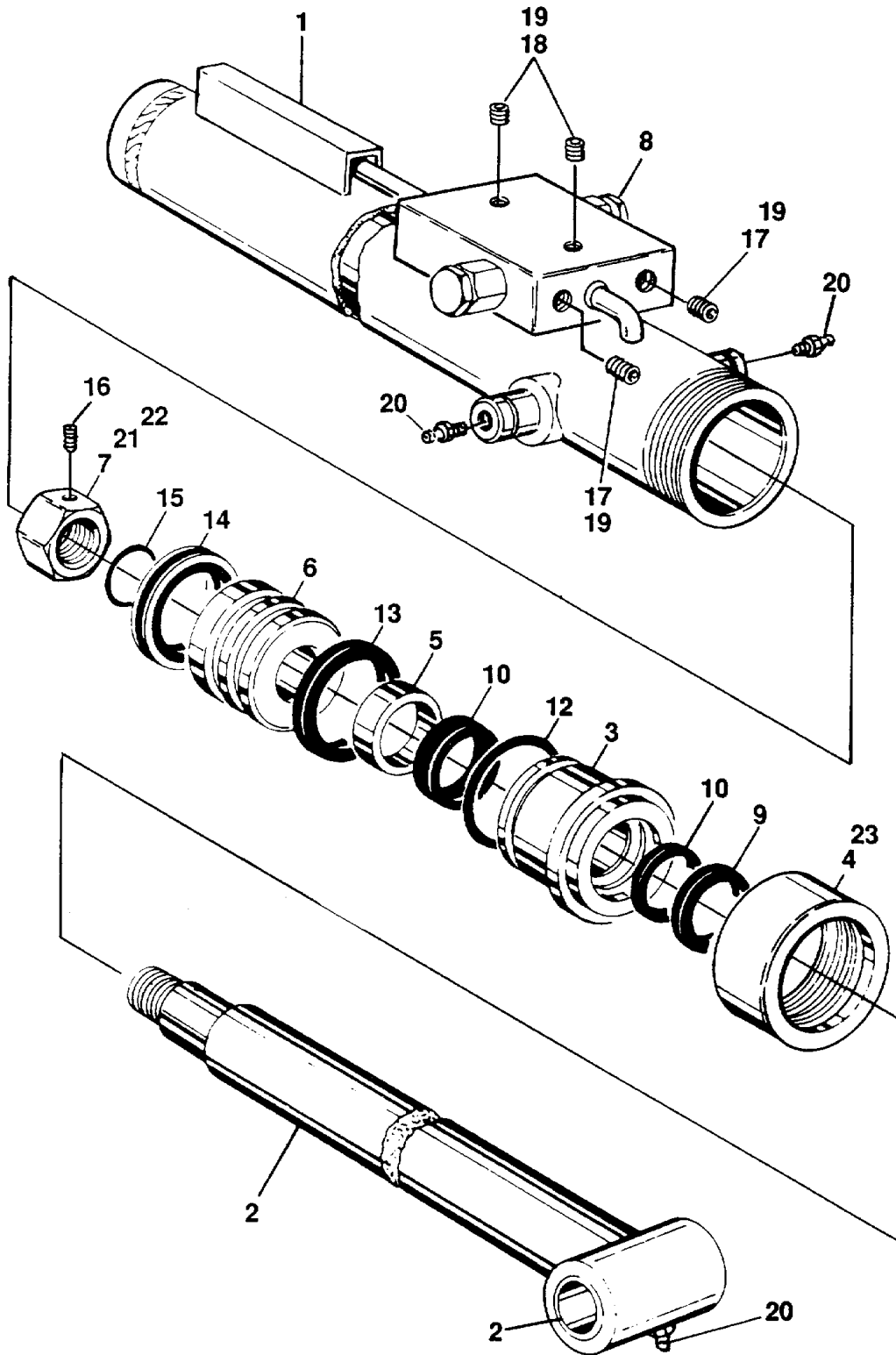
# SECTION 5 CYLINDER

**FIGURE 5-9. PLATFORM LEVEL CYLINDER ASSEMBLIES (BUILT APRIL 1992 TO PRESENT)**

FIG & ITEM #	PART NUMBER	DESCRIPTION	QTY.	REV.
		<b>PLATFORM LEVEL CYLINDER ASSEMBLY OPTIONS:</b>	Ref.	
	1682602	<b>Prior to S/N 33111</b>	Ref.	B
	1683534	<b>S/N 33111 to Present</b>	Ref.	1
1		Barrel Assembly Options:	1	
	1682603	Prior to S/N 33111		
	1683533	S/N 33111 to Present		
2	1681331	Rod Assembly	1	
	0960097	Bushing	1	
3	1680892	Head	1	
4	3480120	Piston	1	
5	4564046	Spacer	1	
6	3300272	Nut	1	
7	1120179	Retainer	1	
8	Kit	Seal, Wiper	1	
9	Kit	Seal, Rod	1	
10	Kit	Ring, Wear	1	
11	Kit	O-Ring	1	
12	Kit	Ring, Back-up	2	
13	Kit	Ring, Wear	1	
14	Kit	O-Ring	1	
15	Kit	Seal, Piston	1	
16	2160002	Fitting, Grease	2	
17	4640634	Valve, Cartridge - Holding	2	
	2900770	Seal Kit - 4640634 Valve (1 Per Assembly)	1	
18	3900170	Setscrew 3/8"-16NC x 3/8"	1	
19	2220885	Plug, Socket head #6	2	
20	0100011	Loctite #242	A/R	
21	0100038	Primer, Locking	A/R	
22	0100035	Loctite #222	A/R	
	2900381	Seal Kit - 1682602 Cylinder (Includes Items 8-15)	1	

# SECTION 5 CYLINDER

FIGURE 5-10. PLATFORM LEVEL CYLINDER ASSEMBLIES (MODEL 40H+6 EXTEND-A-REACH) (PRIOR TO S/N 47925)



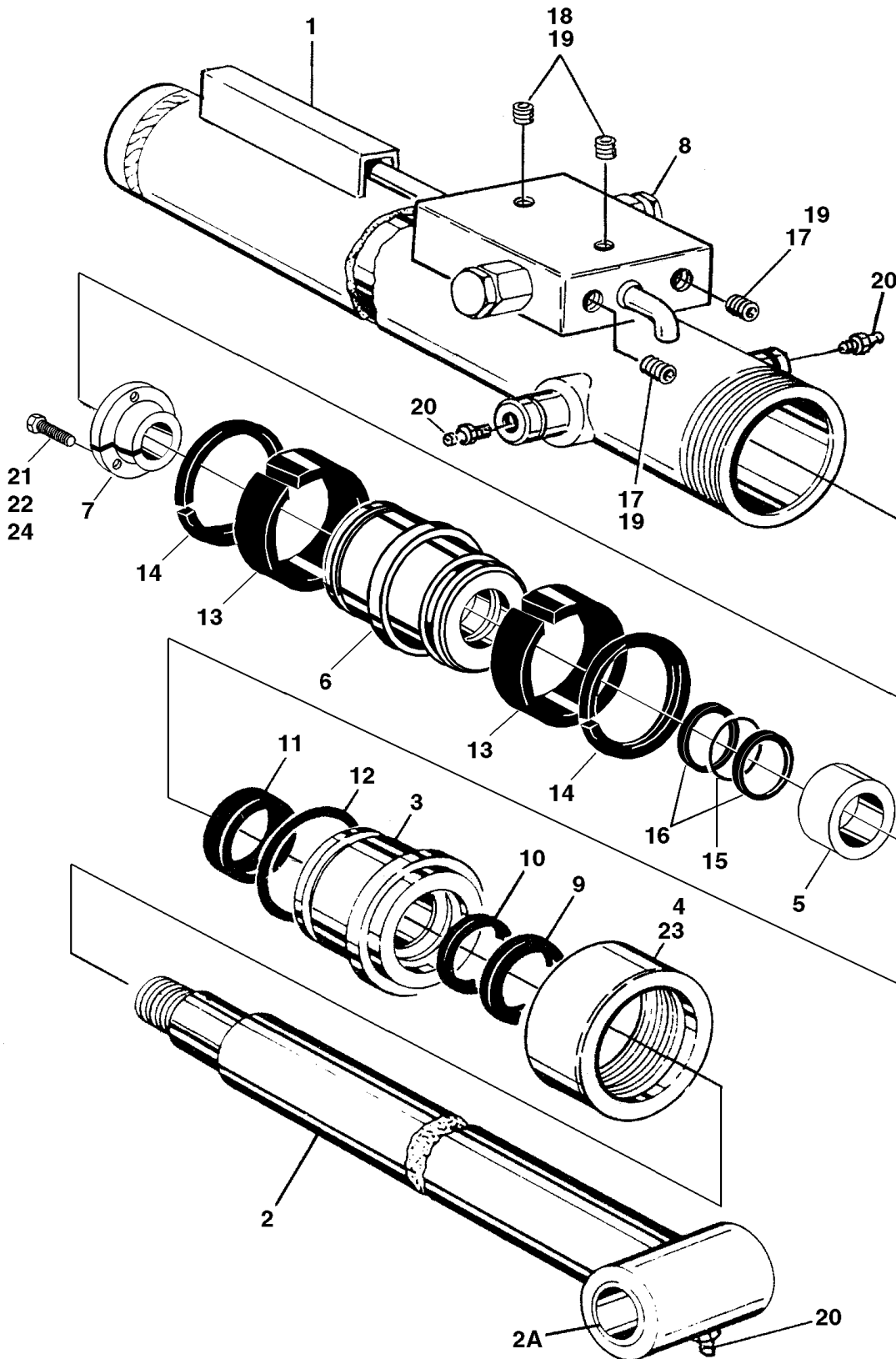
# SECTION 5 CYLINDER

**FIGURE 5-10. PLATFORM LEVEL CYLINDER ASSEMBLIES (MODEL 40H+6 EXTEND-A-REACH)  
(PRIOR TO S/N 47925)**

FIG & ITEM #	PART NUMBER	DESCRIPTION	QTY.	REV.
		<b>PLATFORM LEVEL CYLINDER ASSEMBLIES</b>	Ref.	
	1681791	<b>PRIOR TO FEBRUARY 1991</b>	Ref.	F
	1682459	<b>FEBRUARY 1991 TO S/N 47925</b>	Ref.	A
1		Barrel Assembly Options:	1	
	1681796	Prior to February 1991	1	
	1682460	February 1991 to S/N 47925	1	
2	1681797	Rod Assembly	1	
	0961182	Bushing, Bronze	2	
3	1681792	Head	1	
4	1120305	Retainer	1	
5	4563657	Spacer	1	
6	3480124	Piston	1	
7	3300276	Nut Hex	1	
8	4640509	Valve, Cartridge - Holding	2	
	2900792	Seal Kit - 4640509 Valve (1 Per Cartridge)	2	
9	Kit	Seal, Wiper	1	
10	Kit	Seal, Rod	1	
11	Kit	Ring, Wear	1	
12	Kit	O-Ring	1	
13	Kit	Ring, Wear	1	
14	Kit	T-Seal	1	
15	Kit	O-Ring	1	
16	3900170	Setscrew 3/8"-16NC x 3/8"	1	
17	2200213	Plug, Pipe 1/4"	2	
18	2200201	Plug, Pipe 1/8"	2	
19	0100020	Sealant, Thread	A/R	
20	2160002	Fitting, Grease	3	
21	0100011	Loctite #242	A/R	
22	0100038	Primer, Locking	A/R	
23	0100035	Loctite #222	A/R	
		-----		
	2900394	Seal Kit - Cylinder (Includes Items 9-15)	1	

# SECTION 5 CYLINDER

FIGURE 5-11. PLATFORM LEVEL CYLINDER ASSEMBLIES (MODEL 40H+6 EXTEND-A-REACH) (S/N 47925 TO PRESENT)



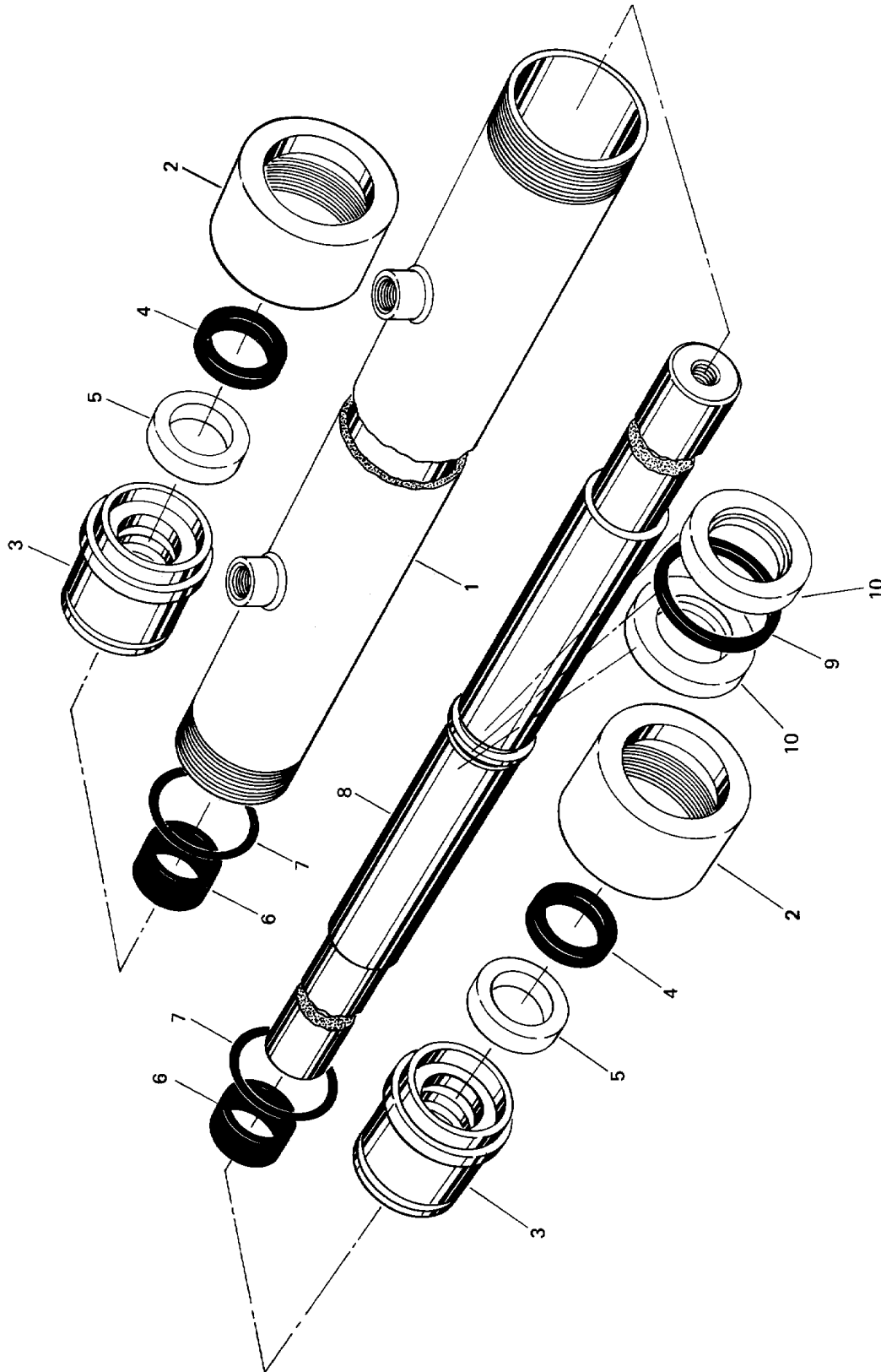
# SECTION 5 CYLINDER

**FIGURE 5-11. PLATFORM LEVEL CYLINDER ASSEMBLIES (MODEL 40H+6 EXTEND-A-REACH) (S/N 47925 TO PRESENT)**

FIG & ITEM #	PART NUMBER	DESCRIPTION	QTY.	REV.
	1683494	<b>PLATFORM LEVEL CYLINDER ASSEMBLY</b>	Ref.	2
1	1683495	Barrel Assembly	1	
2	1683497	Rod Assembly	1	
2A	0961182	Bushing, Bronze	2	
3	1681792	Head	1	
4	1120305	Retainer	1	
5	4563657	Spacer	1	
6	3480188	Piston	1	
7	0961894	Bushing, Tapered	1	
8	4640509	Valve, Cartridge - Holding	2	
	2900792	Seal Kit - 4640509 Valve (1 Per Cartridge)	2	
9	Kit	Seal, Wiper	1	
10	Kit	Seal, Rod	1	
11	Kit	Ring, Wear	1	
12	Kit	O-Ring	1	
13	Kit	Ring, Wear	1	
14	Kit	T-Seal	1	
15	Kit	O-Ring	1	
16	Kit	Ring Back-up	1	
17	2200213	Plug, Pipe 1/4"	2	
18	2200201	Plug, Pipe 1/8"	2	
19	0100020	Sealant, Thread	A/R	
20	2160002	Fitting, Grease	3	
21	Not Used			
22	Not Used			
23	0100035	Loctite #222	A/R	
24		Bolt Options:	3	
	0641408	Bolt 1/4"-20 NC x 1" (Prior to S/N 44769)		
	0630535	Screw, Socket Head 1/4"-20NC x 1 1/8" (S/N 44769 to Present)		
	2901480	Seal Kit - Cylinder (Includes Items 9-16)	1	

## SECTION 5 CYLINDER

FIGURE 5-12. STEER CYLINDER ASSEMBLY - 2WD (PRIOR TO MID 1984)



# SECTION 5 CYLINDER

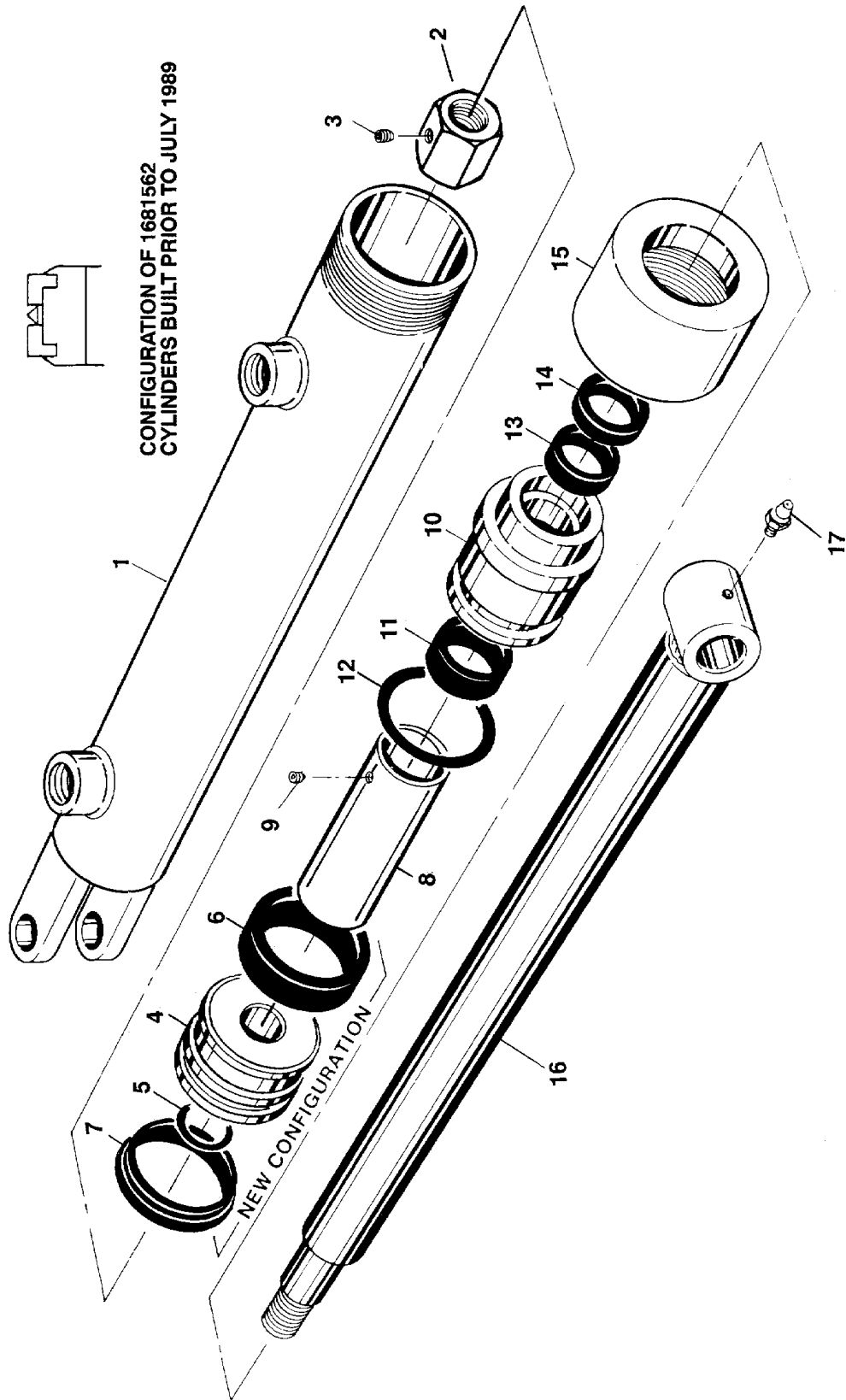
**FIGURE 5-12. STEER CYLINDER ASSEMBLY - 2WD (PRIOR TO MID 1984)**

FIG & ITEM #	PART NUMBER	DESCRIPTION	QTY.	REV.
	1681520	<b>STEER CYLINDER ASSEMBLY</b>	Ref.	C
1	1680724	Barrel	1	
2	1120108	Retainer	2	
3	1681283	Head	2	
4	Kit	Wiper	2	
5	Kit	Seal, Rod	2	
6	Kit	Ring, Wear	2	
7	Kit	O-Ring	2	
8	1681335	Rod	1	
9	Kit	Seal, Piston	1	
10	Kit	Ring, Guidelock	2	
		-----		
	2900353	Seal Kit (Includes Items 4-7, 9 and 10)	1	

# SECTION 5 CYLINDER

FIGURE 5-13. STEER CYLINDER ASSEMBLY - 2WD (MID 1984 TO PRESENT)

NOTE: THIS PISTON/SEAL CONFIGURATION NO LONGER AVAILABLE. IF EQUIPPED, NEW PISTON AND SEAL KIT MUST BE ORDERED FOR REPAIR.





# SECTION 5 CYLINDER

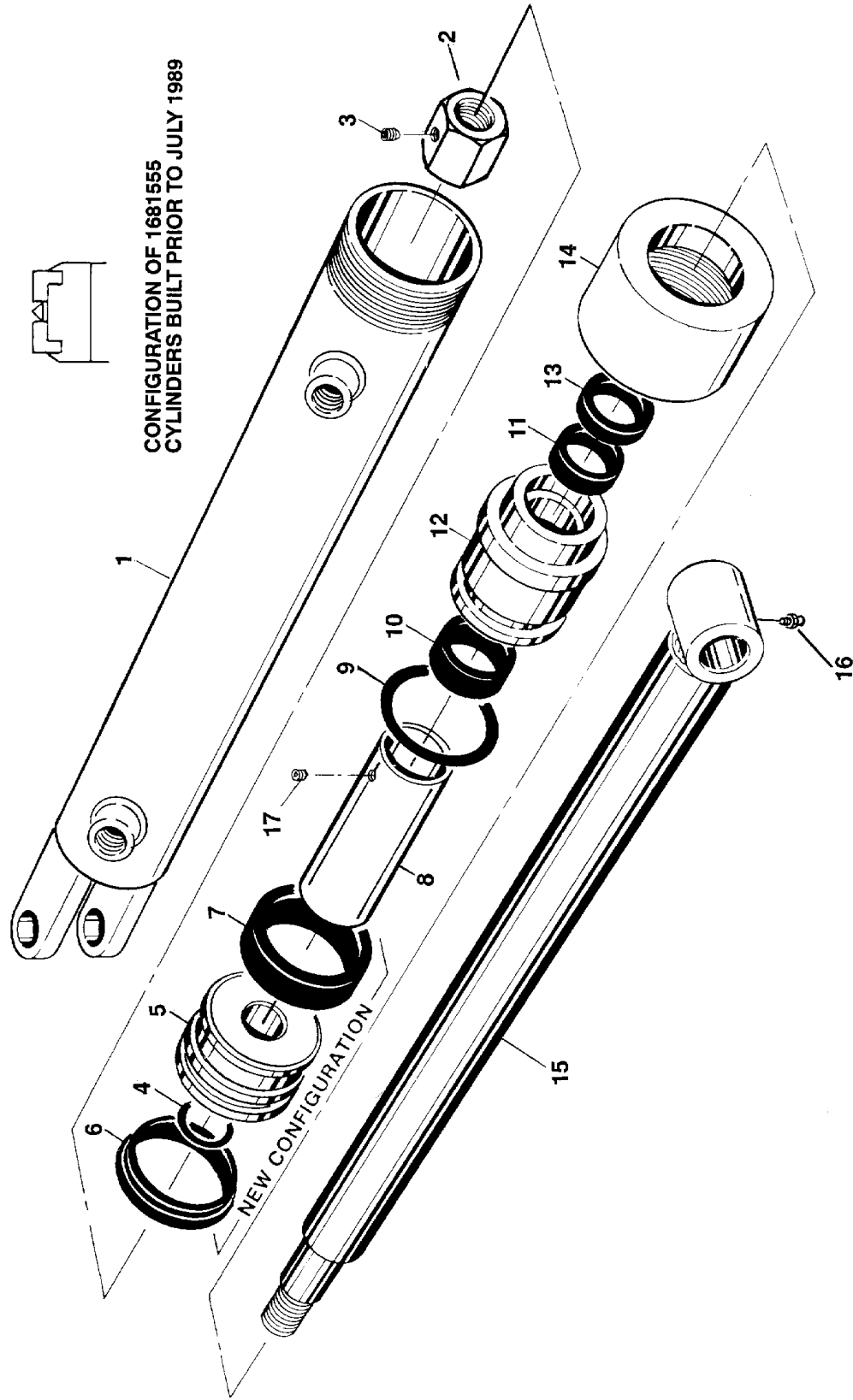
**FIGURE 5-13. STEER CYLINDER ASSEMBLY - 2WD (MID 1984 TO PRESENT)**

FIG & ITEM #	PART NUMBER	DESCRIPTION	QTY.	REV.
	1681562	<b>STEER CYLINDER ASSEMBLY</b>	Ref.	G
1	1681433	Barrel	1	
2	3300273	Nut, Hex	1	
3	3900170	Setscrew 3/8"-16NC x 3/8"	1	
4	3480134	Piston	1	
5	Kit	O-Ring	1	
6	Kit	Ring	1	
7	Kit	Seal	1	
8	4562687	Spacer	1	
9	3900141	Setscrew	1	
10	1681322	Head	1	
11	Kit	Ring, Wear	1	
12	Kit	O-Ring	1	
13	Kit	Seal, Rod	1	
14	Kit	Wiper, Rod	1	
15	1120108	Retainer	1	
16	1681435	Rod	1	
17	2160001	Fitting, Grease	1	
		-----		
	0100011	Loctite #242	A/R	
	0100038	Loctite, Primer	A/R	
	0100035	Compound, Thread Locking	A/R	
		-----		
	2901148	Seal Kit (Includes Items 5-7, 11-14)	1	

# SECTION 5 CYLINDER

FIGURE 5-14. STEER CYLINDER ASEMBLY - 4WD

NOTE: THIS PISTON/SEAL CONFIGURATION NO LONGER AVAILABLE. IF EQUIPPED, NEW PISTON AND SEAL KIT MUST BE ORDERED FOR REPAIR.



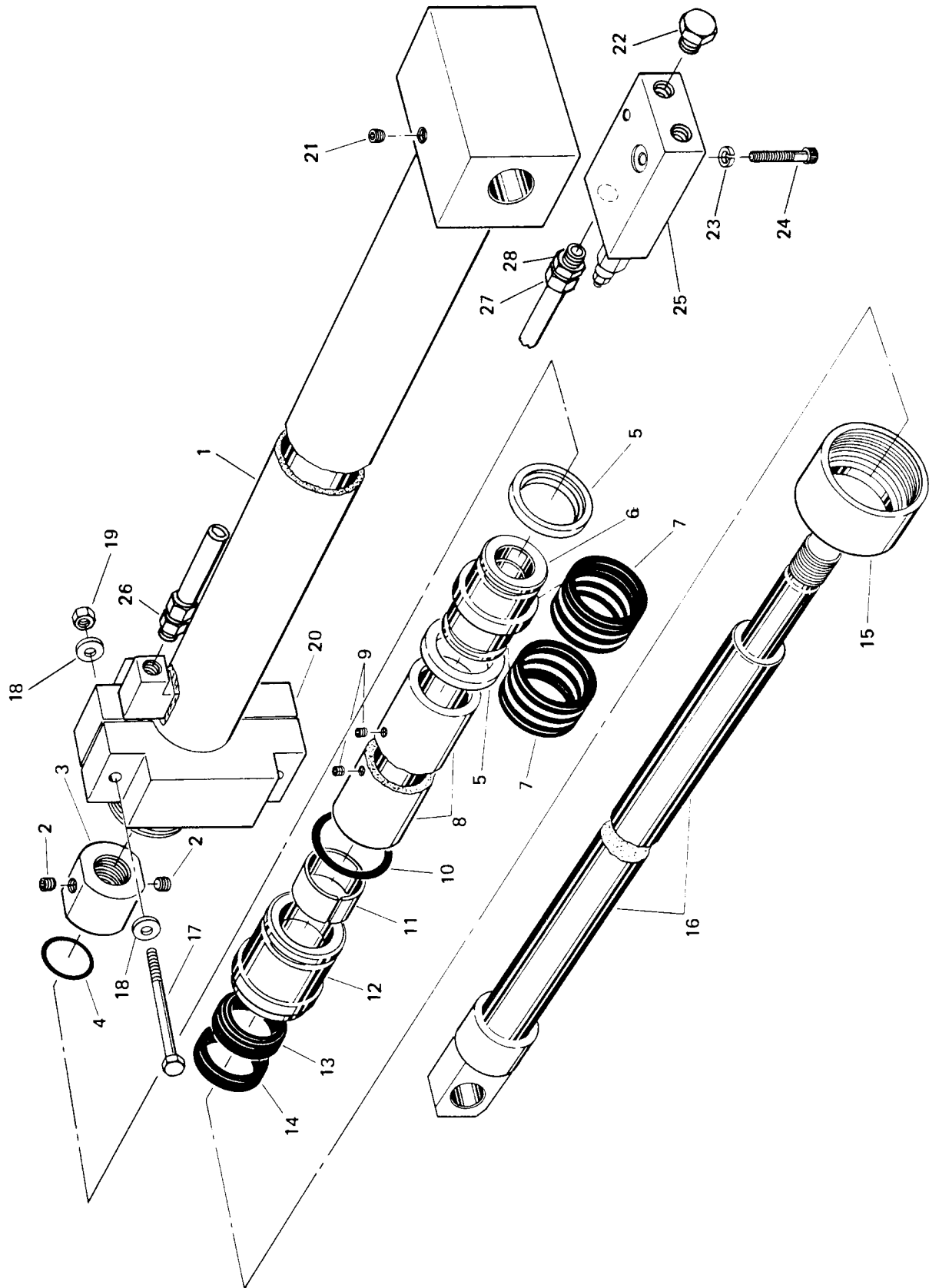
# SECTION 5 CYLINDER

**FIGURE 5-14. STEER CYLINDER ASSEMBLY - 4WD**

FIG & ITEM #	PART NUMBER	DESCRIPTION	QTY.	REV.
	1681555	<b>STEER CYLINDER ASSEMBLY - 4WD</b>	Ref.	D
1	1681413	Barrel Assembly	1	
2	3300273	Nut, Hex	1	
3	3900141	Setscrew 1/4"-20NC x 3/8"	1	
4	Kit	O-Ring	1	
5	3480134	Piston	1	
6	Kit	Seal, Piston	1	
7	Kit	Ring, Wear	1	
8	4562851	Spacer	1	
9	Kit	O-Ring	1	
10	Kit	Ring, Wear	1	
11	Kit	Seal, Rod	1	
12	1681344	Head	1	
13	Kit	Wiper	1	
14	1120108	Cap	1	
15	1681411	Rod	1	
16	2160002	Fitting, Grease	1	
17	3900170	Setscrew 3/8"-16NC x 3/8"	1	
		-----		
	0100011	Loctite	A/R	
	0100038	Loctite, Primer	A/R	
	0100035	Compound, Thread Locking	A/R	
		-----		
	2901123	Seal Kit (Includes Items 4,6,7,9,10,11 and 13)	1	

# SECTION 5 CYLINDER

FIGURE 5-15. TELESCOPE CYLINDER ASSEMBLY (2-SECTION) (PRIOR TO JULY 1985.)



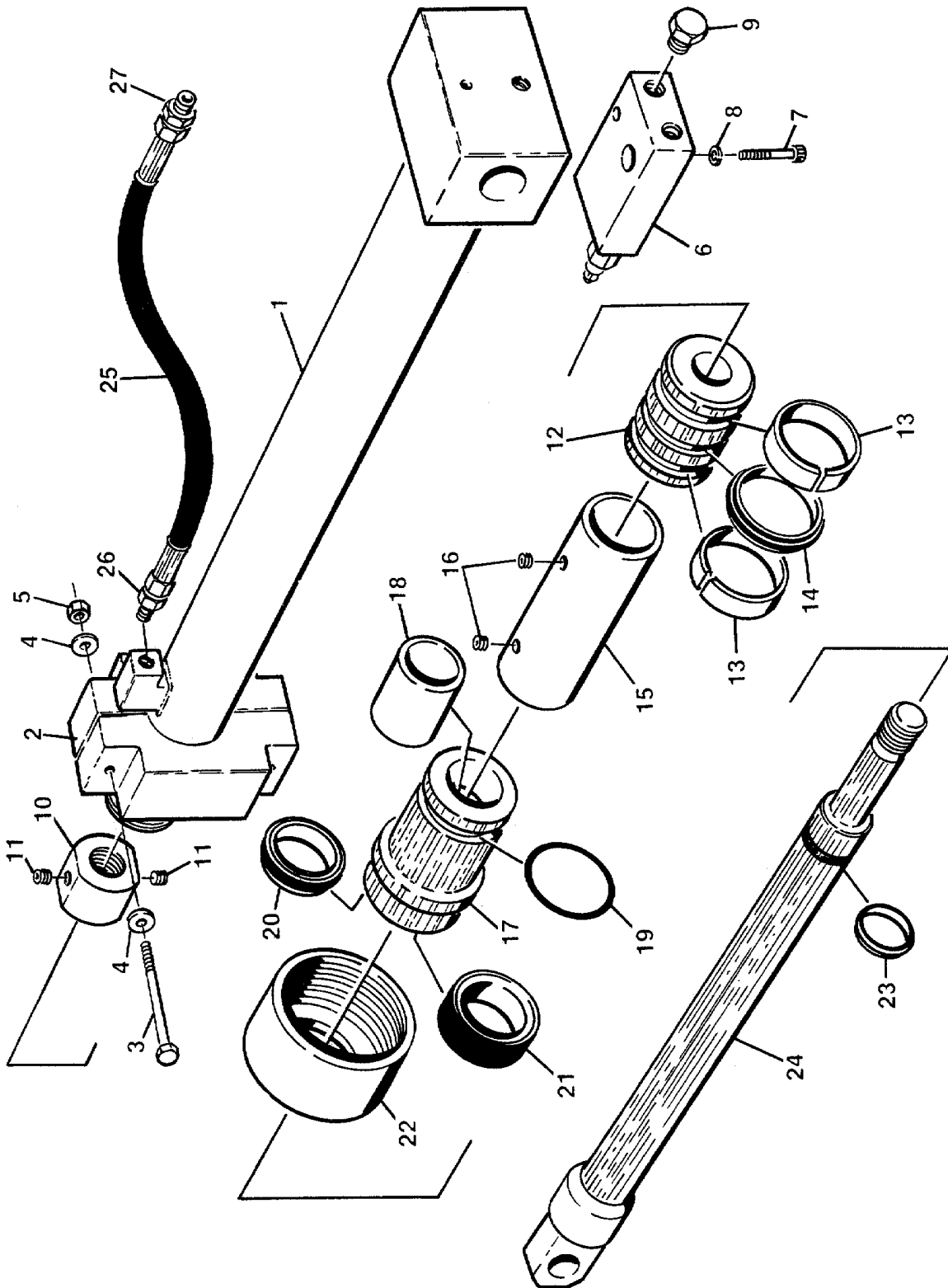
# SECTION 5 CYLINDER

**FIGURE 5-15. TELESCOPE CYLINDER ASSEMBLY (2-SECTION) (PRIOR TO JULY 1985.)**

FIG & ITEM #	PART NUMBER	DESCRIPTION	QTY.	REV.
	1681510	<b>TELESCOPE CYLINDER ASSEMBLY (2 SECTION)</b>	Ref.	J
1	1680717	Barrel Assembly	1	
2	3900141	Setscrew, Nylon	2	
3	3300198	Nut	1	
4	Kit	Seal, T	2	
5	Kit	Ring, Guidelock	2	
6	3480092	Piston	1	
7	Kit	Seal, Piston	2	
8	1440220	Spacer	1	
9	3951603	Bolt 3/8"-16NC x 3/8"	2	
10	Kit	O-Ring	1	
11	Kit	Ring, Wear	1	
12	1681283	Head	1	
13	Kit	Seal, Rod	1	
14	Kit	Seal, Rod Wiper	1	
15	1120108	Cap	1	
	0100011	Loctite	A/R	
16	1681306	Rod Assembly	1	
17	0641628	Bolt 3/8"-16NC x 3.50	2	
18	4751600	Flatwasher 3/8"	4	
19	3311605	Nut 3/8"-16NC	2	
20	0560563	Block, Cylinder Support	1	
21	2200102	Plug, Pipe 1/4 NPT	1	
	0100020	Loctite PST	A/R	
22	2220238	Plug	2	
23	4740056	Washer 3/8"	2	
24	3951628	Bolt 3/8"-16NC x 1.75"	2	
25	4640414	Valve, Counterbalance	1	
26	2220343	Adapter, Straight	1	
27	2751150	Hose Assembly	1	
28	2220372	Adapter, Straight	1	
	2900347	----- Seal Kit (Includes Items 4,5,7,10,11,13 and 14)	1	

# SECTION 5 CYLINDER

FIGURE 5-16. TELESCOPE CYLINDER ASSEMBLY (2-SECTION) (JULY 1985 TO PRESENT)



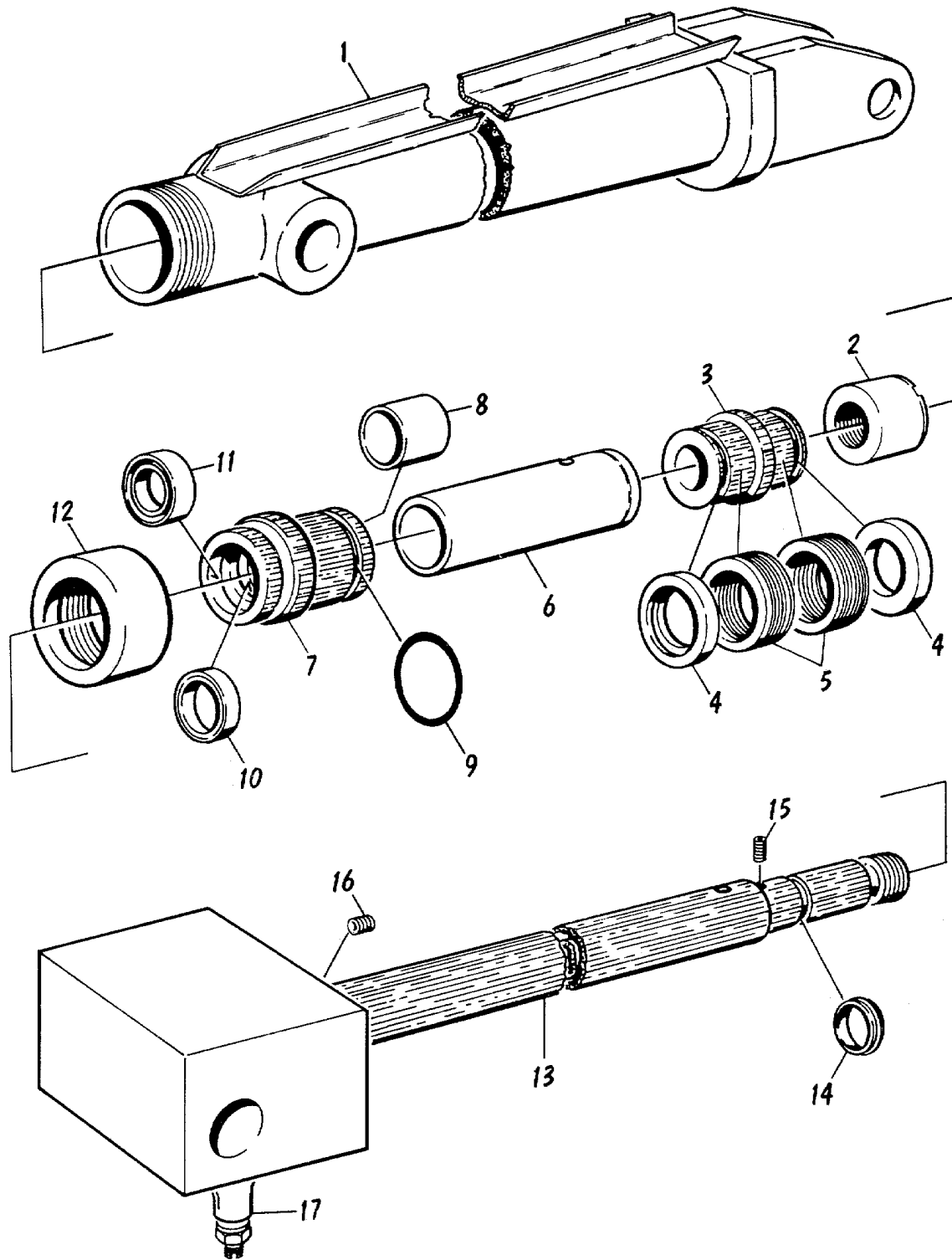
# SECTION 5 CYLINDER

**FIGURE 5-16. TELESCOPE CYLINDER ASSEMBLY (2-SECTION) (JULY 1985 TO PRESENT)**

FIG & ITEM #	PART NUMBER	DESCRIPTION	QTY.	REV.
	1681583	<b>TELESCOPE CYLINDER ASSEMBLY (2 SECTION)</b>	Ref.	E
1	1680717	Barrel Assembly	1	
2	0560563	Block, Cylinder Support	1	
3	0641628	Bolt 3/8"-16NC x 3 1/2"	2	
4	4751600	Flatwasher 3/8"	4	
5	3311605	Nut 3/8"-16NC	2	
6	4640414	Valve, Counterbalance	1	
7	3931628	Bolt 3/8"-16NC x 1.75"	2	
8	4740056	Washer 3/8"	2	
9	2220238	Plug	2	
10	3300293	Nut, Hex	1	
	0100011	Loctite	A/R	
	0100038	Loctite, Primer	A/R	
11	3900171	Setscrew 3/8"-16NC x 3/8"	2	
12	3480054	Piston	1	
13	Kit	Band, Wear	2	
14	Kit	Seal, T	1	
15	1440220	Spacer	1	
16	3951603	Setscrew 3/8"-16NC x 3/8"	2	
17	1681283	Head	1	
18	Kit	Ring, Wear	1	
19	Kit	O-Ring	1	
20	Kit	Seal Rod	1	
21	Kit	Seal, Rod Wiper	1	
22	1120108	Cap, End	1	
	0100035	Compound, Thread Locking	A/R	
23	Kit	Seal, T	1	
24	1681306	Rod	1	
25	2751150	Hose	1	
26	2220372	Fitting	1	
27	2220343	Fitting	1	
	2900350	Seal Kit (Includes Items 13,14,18,19,20,21 and 23)	1	

# SECTION 5 CYLINDER

FIGURE 5-17. TELESCOPE CYLINDER ASSEMBLY (3-SECTION)





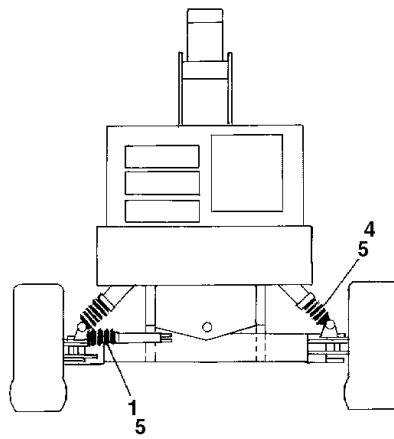
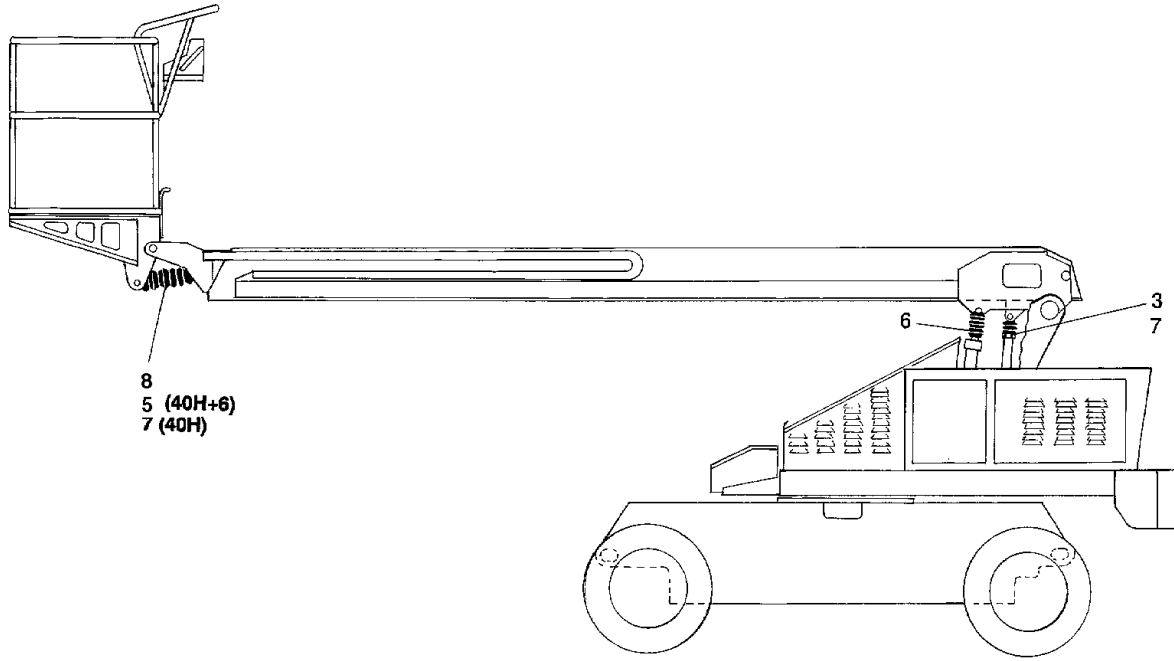
# SECTION 5 CYLINDER

**FIGURE 5-17. TELESCOPE CYLINDER ASSEMBLY (3-SECTION)**

FIG & ITEM #	PART NUMBER	DESCRIPTION	QTY.	REV.
	1681543	<b>TELESCOPE CYLINDER ASSEMBLY (3 SECTION)</b>	Ref.	F
1	1680149	Barrel Assembly	1	
2	3300293	Nut, Hex	1	
	0100011	Loctite	A/R	
	0100038	Loctite, Primer	A/R	
3	3480092	Piston	1	
4	Kit	Ring, Wear	2	
5	Kit	Seal, Piston	2	
6	4562756	Spacer	1	
7	1681283	Head	1	
8	Kit	Band, Wear	1	
9	Kit	O-Ring	1	
10	Kit	Seal, Rod	1	
11	Kit	Wiper, Rod	1	
12	1120108	Cap, End	1	
	0100035	Compound, Thread Locking	A/R	
13	1081391	Rod Assembly	1	
14	Kit	Seal, T	1	
15	3951405	Setscrew 1/4"-20NC x 5/8"	1	
	0100011	Loctite	A/R	
16	2200222	Plug, Pipe	4	
17	4640212	Valve, Holding	1	
	2900341	Seal Kit (Includes Items 4,5,8,9,10,11 and 14)	1	

# SECTION 5 CYLINDER

FIGURE 5-18. CYLINDER BELLOWS INSTALLATION



# SECTION 5 CYLINDER

**FIGURE 5-18. CYLINDER BELLOWS INSTALLATION**

FIG & ITEM #	PART NUMBER	DESCRIPTION	QTY.	REV.
		<b>CYLINDER BELLOWS INSTALLATIONS</b>	Ref.	
	0237096	<b>40H 2WD WITH FIXED AXLE</b>	Ref.	D
	0237097	<b>40H 2WD WITH OSCILLATING AXLE</b>	Ref.	E
	0253135	<b>40H 4WD WITH FIXED AXLE</b>	Ref.	A
	0253134	<b>40H 4WD WITH OSCILLATING AXLE</b>	Ref.	A
	0255645	<b>40H+6 2WD WITH FIXED AXLE</b>	Ref.	A
	0255646	<b>40H+6 2WD WITH OSCILLATING AXLE</b>	Ref.	A
	0255648	<b>40H+6 4WD WITH FIXED AXLE</b>	Ref.	—
	0255647	<b>40H+6 4WD WITH OSCILLATING AXLE</b>	Ref.	—
1		Bellows, Steer Cylinder Options:	1	
	0460073	2WD		
	0460075	4WD		
2	0460076	Bellows, Lift Cylinder	1	
3	0460071	Bellows, Master Cylinder	1	
4		Bellows, Lockout Cylinder Options:	A/R	
	Not Required	Fixed Axle	0	
	0460077	Oscillating Axle	2	
5	1320122	Clamp, Worm Gear (5 1/8"- 6" Dia.)	A/R	
6	1320059	Clamp, Worm Gear (2 1/2"-12 1/4" Dia.)	1	
7	1320037	Clamp, Worm Gear (3 - 4 1/8" Dia.)	A/R	
8		Bellows, Slave Cylinder Options:	1	
	0460101	40H		
	0460081	40H+6		

# SECTION 5 CYLINDER

**S  
E  
C  
T  
I  
O  
N  
  
5  
  
C  
Y  
L  
I  
N  
D  
E  
R**

**FIGURE 5-18. CYLINDER BELLOWS INSTALLATION (CONTINUED)**

FIG & ITEM #	PART NUMBER	DESCRIPTION	QTY.	REV.

# SECTION 6 HYDRAULICS

<b>TABLE OF CONTENTS</b>		
<b>FIGURE</b>	<b>DESCRIPTION</b>	<b>PAGE</b>
6-1	HYDRAULIC DIAGRAM LIST . . . . .	6-2
6-2	AXLE LOCKOUT HYDRAULIC DIAGRAM . . . . .	6-6
6-3	DRIVE HYDRAULIC DIAGRAM (2WD) . . . . .	6-8
6-4	DRIVE HYDRAULIC DIAGRAM (4WD) . . . . .	6-10
6-5	LEVEL HYDRAULIC DIAGRAM (2-SECTION) . . . . .	6-14
6-6	LEVEL HYDRAULIC DIAGRAM (3-SECTION) . . . . .	6-16
6-7	LEVEL HYDRAULIC DIAGRAM WITH EXTEND-A-REACH AND ROTATE SUPPORT . . . . .	6-18
6-8	LIFT HYDRAULIC DIAGRAM (VICKERS) . . . . .	6-20
6-9	MANUAL DESCENT HYDRAULIC DIAGRAM . . . . .	6-22
6-10	PUMP HYDRAULIC DIAGRAM WITH 3 - CYLINDER DEUTZ. . . . .	6-24
6-11	PUMP HYDRAULIC DIAGRAM WITH FORD ENGINES (MARCH 1995 TO PRESENT) . . . . .	6-28
6-12	ROTATE HYDRAULIC DIAGRAM 2-SECTION AND 3-SECTION BOOMS . . . . .	6-32
6-13	SEQUENCE HYDRAULIC DIAGRAM. . . . .	6-34
6-14	STEER HYDRAULIC DIAGRAM 2WD AND 4WD . . . . .	6-36
6-15	SWING HYDRAULIC DIAGRAM. . . . .	6-38
6-16	TELESCOPE HYDRAULIC DIAGRAM. . . . .	6-40

# SECTION 6 HYDRAULICS

# SECTION 6 HYDRAULICS

FIG & ITEM #	PART NUMBER	DESCRIPTION	QTY.	REV.
		<b>HYDRAULIC DIAGRAM LIST</b>	Ref.	
		<b>Note: Diagrams with asterisk (*) are shown in the following pages. Diagrams not shown is available from the JLG Service/Parts Department.</b>	Ref.	
		<b>AXLE LOCKOUT HYDRAULIC DIAGRAMS:</b>	Ref.	
	2790901	Prior to October 1992	Ref.	G
	2791940*	October 1992 to Present	Ref.	B
		<b>DRIVE HYDRAULIC DIAGRAMS:</b>	Ref.	
		<b>RACINE VALVE MACHINES</b>	Ref.	
	2790898	2WD (Prior to March 1986)	Ref.	G
	2791118	2WD (March 1986 to July 1986)	Ref.	—
	2791151	2WD (July 1986 to April 1987)	Ref.	A
	2791036	4WD (Prior to March 1986)	Ref.	—
	2791117	4WD (March 1986 to August 1986)	Ref.	—
	2791159	4WD (August 1986 to August 1987)	Ref.	—
		<b>VICKERS VALVE MACHINES</b>	Ref.	
	2791290*	2WD (August 1987 to Present)	Ref.	C
	2791338*	4WD (August 1987 to Present)	Ref.	I
		<b>LEVEL HYDRAULIC DIAGRAMS:</b>	Ref.	
		<b>40H MACHINES</b>	Ref.	
	2790896	2 Section Boom with Fixed Support (Prior to May 1993)	Ref.	RL-G
	2790958	2 Section Boom with Rotate Support (Prior to May 1993)	Ref.	—
	2792070*	2 Section Boom with Fixed and Rotate Support (May 1993 to Present)	Ref.	A
	2790994	3 Section (Prior to May 1993)	Ref.	C
	2792071*	3 Section (May 1993 to Present)	Ref.	A
		<b>40H+6 MACHINES</b>	Ref.	
	2791222	2 Section Boom with Fixed Support (Prior to May 1993)	Ref.	D
	2792073	2 Section Boom with Fixed Support (May 1993 to Present)	Ref.	C
	2791220	2 Section Boom with Rotator Support (Prior to May 1993)	Ref.	H
	2792072*	2 Section Boom with Rotator Support (May 1993 to Present)	Ref.	B

# SECTION 6 HYDRAULICS

FIG & ITEM #	PART NUMBER	DESCRIPTION	QTY.	REV.
		<b>HYDRAULIC CONTROLLED MACHINES</b>	Ref.	
	2791753	3 Section Boom (Prior to May 1993)	Ref.	B
	2792074	3 Section Boom (May 1993 to Present)	Ref.	A
	2790899*	<b>MANUAL DESCENT HYDRAULIC DIAGRAM</b>	Ref.	9
	2791286	<b>PROP TELE HYDRAULIC DIAGRAM</b>	Ref.	—
		<b>PUMP HYDRAULIC DIAGRAM</b>	Ref.	
		<b>DIESEL ENGINE WITH RACINE VALVES:</b>	Ref.	
	2790986	Deutz F2L511	Ref.	E
	2790951	Deutz F2L511 with Steering Wheel	Ref.	—
	2790998	Deutz F2L511 with Steering Wheel - 3 Section Boom	Ref.	A
	2790983	Deutz F2L511 with Oil Cooler	Ref.	—
	2791000	Deutz F2L511 with Steering Wheel and Oil Cooler	Ref.	A
	2791130	Deutz F3L912	Ref.	A
	2791128	Deutz F3L912 with Steering Wheel	Ref.	—
	2791129	Deutz F3L912 with Steering Wheel and Oil Cooler	Ref.	—
	2791131	Deutz F3L912 with Oil Cooler	Ref.	—
	2791132	Deutz F3L912 with Steering Wheel and 3 Section Boom	Ref.	—
	2791133	Deutz F3L012 with Steering Wheel, Oil Cooler and 3 Section Boom	Ref.	—
		<b>DIESEL ENGINE WITH VICKERS VALVES AND STANDARD CONTROLS:</b>	Ref.	
	2791195	Deutz F2L511	Ref.	F
	2791192	Deutz F2L511 with Steering Wheel	Ref.	E
	2791208	Deutz F2L511 with Steering Wheel and 3 Section Boom	Ref.	B
	2791196	Deutz F2L511 with Oil Cooler	Ref.	C
	2791211	Deutz F2L511 with Steering Wheel and Oil Cooler	Ref.	B
	2791200	Deutz F3L912	Ref.	F
	2791194	Deutz F3L912 with Steering Wheel	Ref.	C
	2791197	Deutz F3L912 with Steering Wheel and Oil Cooler	Ref.	C
	2791205	Deutz F3L912 with Oil Cooler	Ref.	E
	2791207	Deutz F3L912 with Steering Wheel and 3-Section Boom	Ref.	B
	2791212	Deutz F3L912 with Steering Wheel, Oil Cooler and 3-Section Boom	Ref.	C
	2791843*	Deutz F3L1011	Ref.	C
		<b>DIESEL ENGINES WITH VICKERS VALVES AND HYDRAULIC CONTROLS:</b>	Ref.	
	2791867	Deutz F3L1011	Ref.	6

## SECTION 6 HYDRAULICS

FIG & ITEM #	PART NUMBER	DESCRIPTION	QTY.	REV.
		<b>GAS ENGINES WITH RACINE VALVES:</b>	Ref.	
	2790902	Ford with 2-Section Boom	Ref.	I
	2791043	Ford with Steering Wheel and 2-Section Boom	Ref.	B
	2791042	Ford with 3-Section Boom	Ref.	—
	2791041	Ford with Steering Wheel and Oil Cooler	Ref.	—
	2791044	Ford with Steering Wheel, Oil Cooler and 3-Section Boom	Ref.	—
	2791033	Wisconsin without Steering Wheel	Ref.	A
	2791091	Wisconsin with Steering Wheel and 2-Section Boom	Ref.	—
	2791094	Wisconsin with Steering Wheel and 3-Section Boom	Ref.	—
	2791093	Wisconsin with Steering Wheel, Oil Cooler and 3-Section Boom	Ref.	—
		<b>GAS ENGINE WITH VICKERS VALVES AND STANDARD CONTROLS:</b>	Ref.	
	2791201	Ford without Steering Wheel (Prior to March 1995)	Ref.	H
	2791191	Ford with Steering Wheel and 2-Section Boom (Prior to March 1995)	Ref.	D
	2791209	Ford with Steering Wheel and 3-Section Boom (Prior to March 1995)	Ref.	B
	2791204	Ford with Oil Cooler (Prior to March 1995)	Ref.	D
	2791193	Ford with Steering Wheel, Oil Cooler and 2-Section Boom (Prior to March 1995)	Ref.	C
	2791210	Ford with Steering Wheel, Oil Cooler and 3-Section (Prior to March 1995)	Ref.	B
	2792198*	Ford (March 1995 to Present)	Ref.	A
	2792199	Ford with Oil Cooler (March 1995 to Present)	Ref.	—
	2791206	Wisconsin without Steering Wheel	Ref.	D
	2791198	Wisconsin with Steering Wheel and 2-Section Boom	Ref.	C
	2791199	Wisconsin with Steering Wheel, Oil Cooler and 2-Section Boom	Ref.	C
	2791203	Wisconsin with Steering Wheel, Oil Cooler and 3-Section Boom	Ref.	C
	2791202	Wisconsin with Steering Wheel and 3-Section Boom	Ref.	C
		<b>GAS ENGINE WITH VICKERS VALVES AND HYDRAULIC CONTROLS</b>	Ref.	
	2791450	Ford Engine (Prior to March 1995)	Ref.	8
	2792200	Ford Engine (March 1995 to Present)	Ref.	2
	2791445	Wisconsin Engine	Ref.	8
	2791754	Wisconsin Engine (Dow Chemical)	Ref.	7

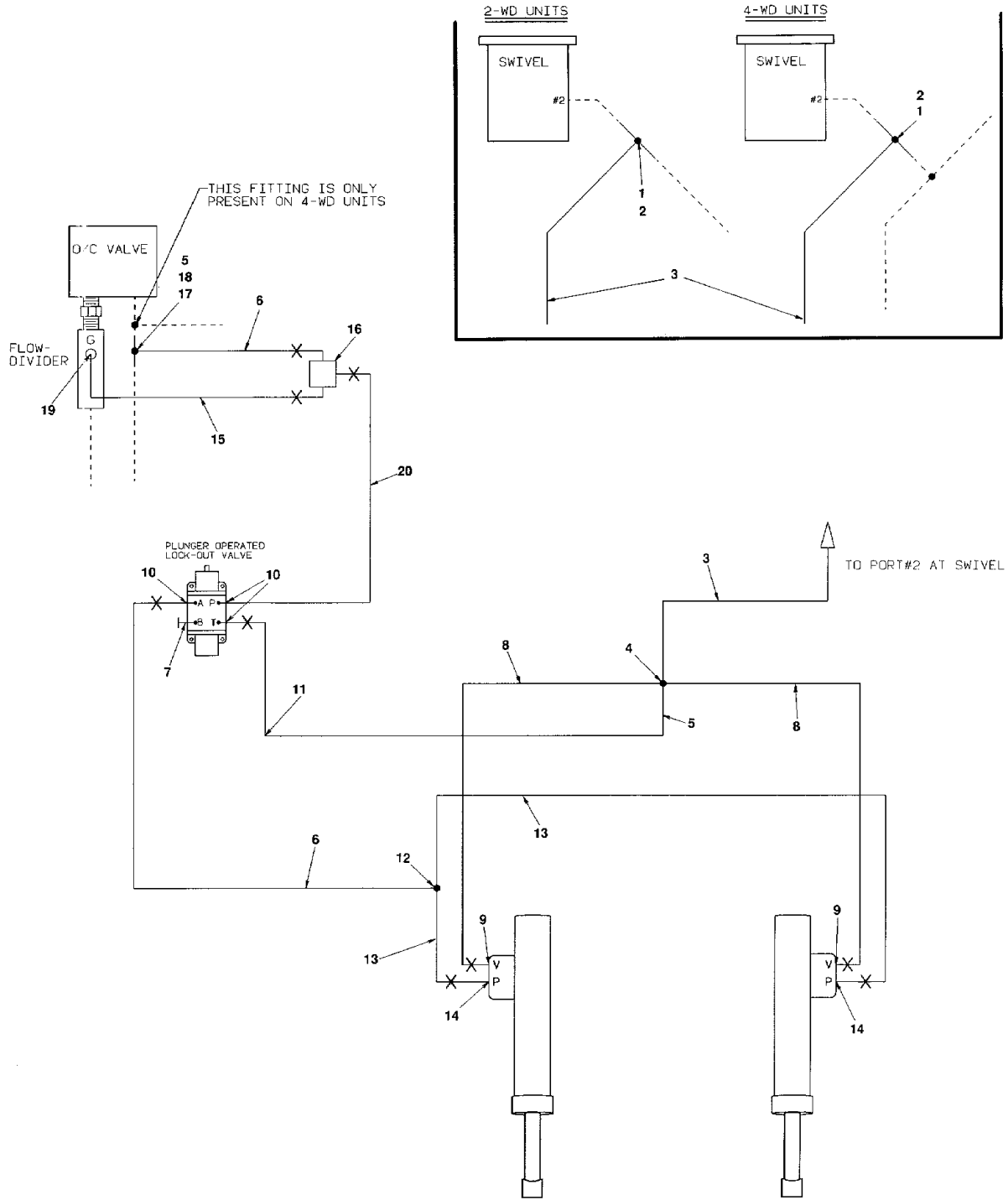


# SECTION 6 HYDRAULICS

FIG & ITEM #	PART NUMBER	DESCRIPTION	QTY.	REV.
		<b>ROTATE HYDRAULIC DIAGRAMS:</b>	Ref.	
	2790889*	2-Section Boom	Ref.	F
	2790995*	3-Section Boom	Ref.	C
	2790962	Machines with Steering Wheel	Ref.	—
	2791752	3-Section Boom with Hydraulic Controls	Ref.	A
	1281353*	<b>SEQUENCE HYDRAULIC DIAGRAMS:</b>	Ref.	
	2791698*	Standard Controls	Ref.	A
	2791699	Hydraulic Controls	Ref.	A
		<b>STEER HYDRAULIC DIAGRAMS:</b>	Ref.	
	2790894	2-Wheel Drive	Ref.	D
	2790961	2-Section Boom with Steering Wheel	Ref.	C
	2790996	3-Section Boom with Steering Wheel	Ref.	C
	2791724*	4-Wheel Drive	Ref.	A
		<b>SWING HYDRAULIC DIAGRAMS:</b>	Ref.	
	2790895	Machines with Racine Valves	Ref.	B
	2791190*	Machines with Vickers Valves	Ref.	A
		<b>TELESCOPE HYDRAULIC DIAGRAMS:</b>	Ref.	
	2790900*	Standard Controls	Ref.	D
	2791286	Hydraulic Controls	Ref.	—
		<b>TOOL LINE LHYDRAULIC DIAGRAMS:</b>	Ref.	
	2791568	Machines with 2-Section Boom	Ref.	A
	2791493	Machines with 3-Section Boom	Ref.	A
		<b>TOW HYDRAULIC DIAGRAMS:</b>	Ref.	
	2790968	With Steering Wheel	Ref.	B
	2790969	Without Steering Wheel	Ref.	B

# SECTION 6 HYDRAULICS

FIGURE 6-2. AXLE LOCKOUT HYDRAULIC DIAGRAM



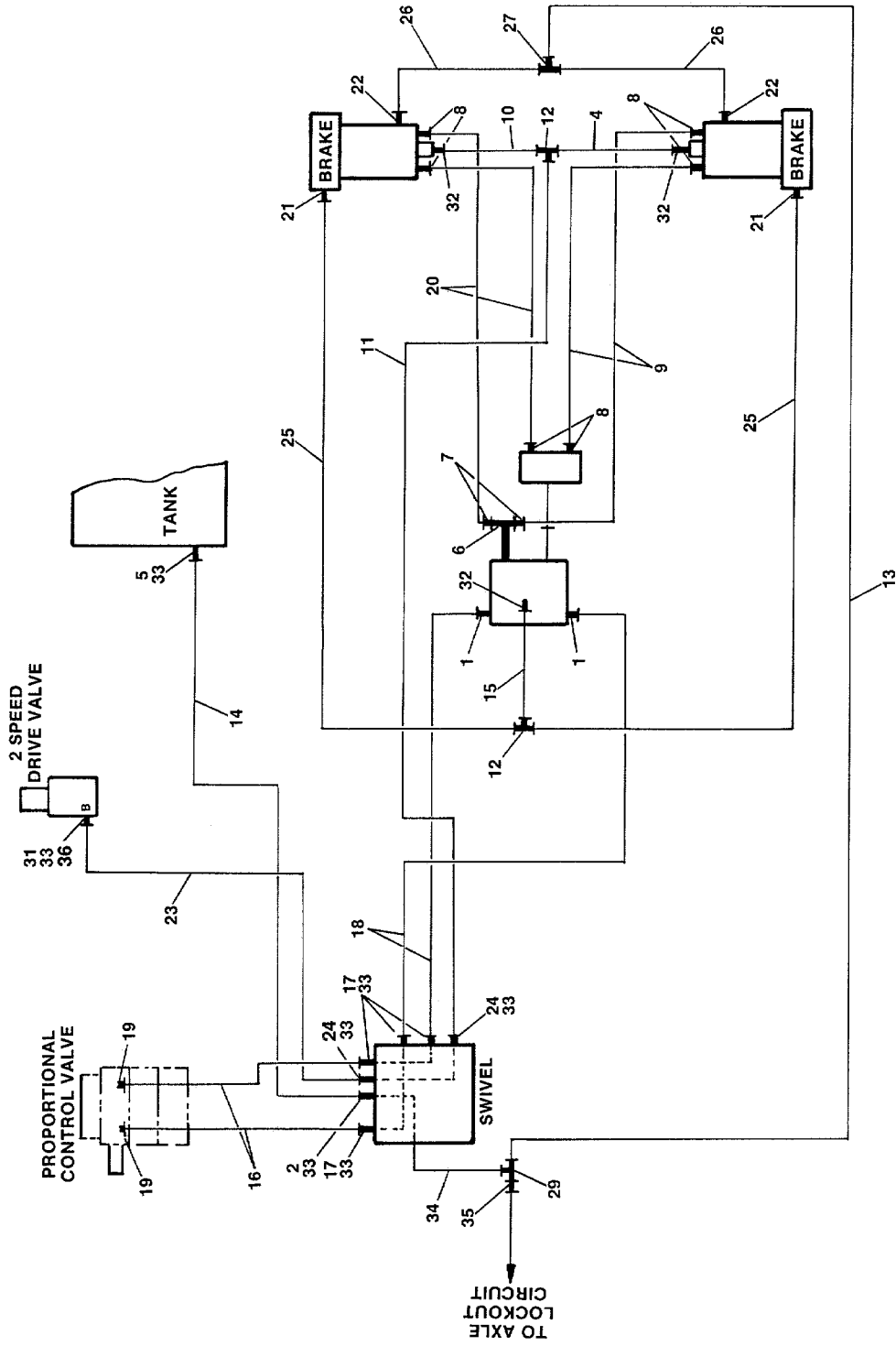
# SECTION 6 HYDRAULICS

**FIGURE 6-2. AXLE LOCKOUT HYDRAULIC DIAGRAM**

FIG & ITEM #	PART NUMBER	DESCRIPTION	QTY.	REV.
	2791940	<b>AXLE LOCKOUT HYDRAULIC DIAGRAM</b>	Ref.	B
1	2220385	Fitting, Tee	1	
2	2220619	Fitting, Reducer	1	
3	2751155	Hose	1	
4	2220827	Fitting, Cross	1	
5	2220609	Fitting, Reducer	2	
6	2750901	Hose	2	
7	2220235	Fitting, Plug	1	
8	2750990	Hose	2	
9	2220371	Fitting, Straight	2	
10	2220415	Fitting, Straight	3	
11	2751018	Hose	1	
12	2205504	Fitting, Tee	1	
13	2751010	Hose	2	
14	2220582	Fitting, Straight	2	
15	2750902	Hose	1	
16	4640574	Valve, Shuttle	1	
17	2220700	Fitting, Tee	1	
18	2220621	Fitting, Reducer	1	
19	2220466	Fitting, 90°	1	
20	2751410	Hose	20	

# SECTION 6 HYDRAULICS

FIGURE 6-3. DRIVE HYDRAULIC DIAGRAM (2WD)



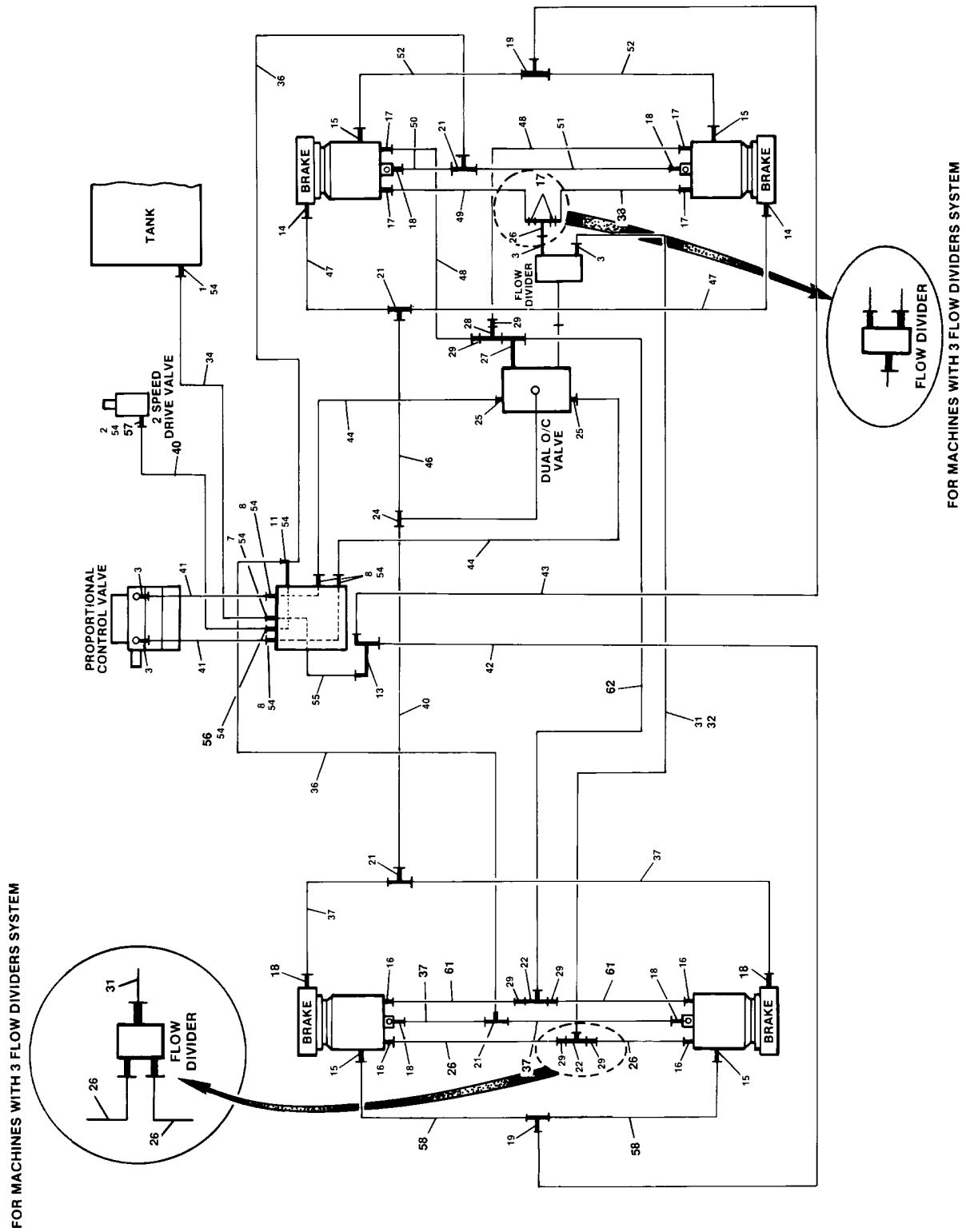
# SECTION 6 HYDRAULICS

**FIGURE 6-3. DRIVE HYDRAULIC DIAGRAM (2WD)**

FIG & ITEM #	PART NUMBER	DESCRIPTION	QTY.	REV.
	2791290	<b>DRIVE HYDRAULIC DIAGRAM (2WD)</b>	Ref.	C
1	2220578	Fitting, 90°	2	
2	2220345	Fitting, Straight	1	
3	Not Used			
4	2751010	Hose	1	
5	2220659	Fitting, 90°	1	
6	2220622	Fitting, Reducer	2	
7	2220695	Fitting, Tee	1	
8	2220375	Fitting, O-Ring	6	
9	2750762	Hose	2	
10	2751017	Hose	1	
11	2751011	Hose	1	
12	2220504	Fitting, Tee	2	
13	2751483	Hose	1	
14	2751489	Hose	1	
15	2751020	Hose	1	
16	2750873	Hose	2	
17	2220347	Fitting, Pipe	4	
18	2751341	Hose	2	
19	2220451	Fitting, O-Ring	2	
20	2750977	Hose	2	
21	2220466	Fitting, O-Ring	2	
22	2220596	Fitting, O-Ring	2	
23	2750899	Hose	1	
24	2220414	Fitting, Pipe	2	
25	2751014	Hose	2	
26	2750774	Hose	2	
27	2220362	Fitting, Tee	1	
28	Not Used			
29	2220383	Fitting, Tee	2	
30	Not Used			
31	2220417	Fitting, 90°	1	
32	2220415	Fitting, O-Ring	3	
33	0100020	Loctite 56747	A/R	
34	2220355	Fitting, 45°	1	
35	2220619	Fitting, Reducer	1	
36	2220822	Fitting, Orifice	1	

# SECTION 6 HYDRAULICS

FIGURE 6-4. DRIVE HYDRAULIC DIAGRAM (4WD)



# SECTION 6 HYDRAULICS

**FIGURE 6-4. DRIVE HYDRAULIC DIAGRAM (4WD)**

FIG & ITEM #	PART NUMBER	DESCRIPTION	QTY.	REV.
	2791338	<b>DRIVE HYDRAULIC DIAGRAM (4WD)</b>	Ref.	I
1	2220659	Fitting, 90°	1	
2	2220417	Fitting, 90°	1	
3	2220451	Fitting, Straight	3	
4 to 6	Not Used			
7	2220345	Fitting, Straight	1	
8	2220347	Fitting, Straight	4	
9 to 10	Not Used			
11	2220584	Fitting, Tee	1	
12	Not Used			
13	2220383	Fitting, Tee	1	
14	2220466	Fitting, 90°	2	
15	2220596	Fitting, 90°	4	
16	2220366	Fitting, 90°	4	
17	2220375	Fitting, Straight	8	
18	2220415	Fitting, Straight	6	
19	2220362	Fitting, Tee	2	
20	Not Used			
21	2220504	Fitting, Tee	4	
22	2220481	Fitting, Tee	1	
23	Not Used			
24	2220711	Fitting, Tee	1	
25	2220578	Fitting, 90°	2	
26	2750759	Hose	2	
27	2220695	Fitting, Tee	1	
28	2220700	Fitting, Tee	1	
29	2220622	Fitting, Reducer	4	
30	Not Used			
31	2220435	Fitting, Straight	1	
32	2751320	Hose	1	
33	Not Used			
34	2751489	Hose	1	
35	Not Used			
36	2750891	Hose	2	
37	2751391	Hose	4	
38	2750979	Hose	2	
39	Not Used			
40	2750892	Hose	2	
41	2750873	Hose	2	
42	2750762	Hose	1	
43	2751483	Hose	1	
44	2751341	Hose	2	
45	Not Used			
46	2751427	Hose	1	
47	2751014	Hose	2	
48	2750977	Hose	2	
49	Not Used			
50	2751017	Hose	1	

## SECTION 6 HYDRAULICS

**FIGURE 6-4. DRIVE HYDRAULIC DIAGRAM (4WD) (CONTINUED)**

FIG & ITEM #	PART NUMBER	DESCRIPTION	QTY.	REV.
51	2751010	Hose	1	
52	2750774	Hose	2	
53	Not Used			
54	0100020	Loctite #56747	A/R	
55	2220355	Fitting, 45°	1	
56	2220414	Fitting, Pipe	1	
57	2220822	Fitting, Pipe	1	
58	2750777	Hose	2	
59 to 60	Not Used			
61	2750777	Hose	2	
62	2751333	Hose	1	



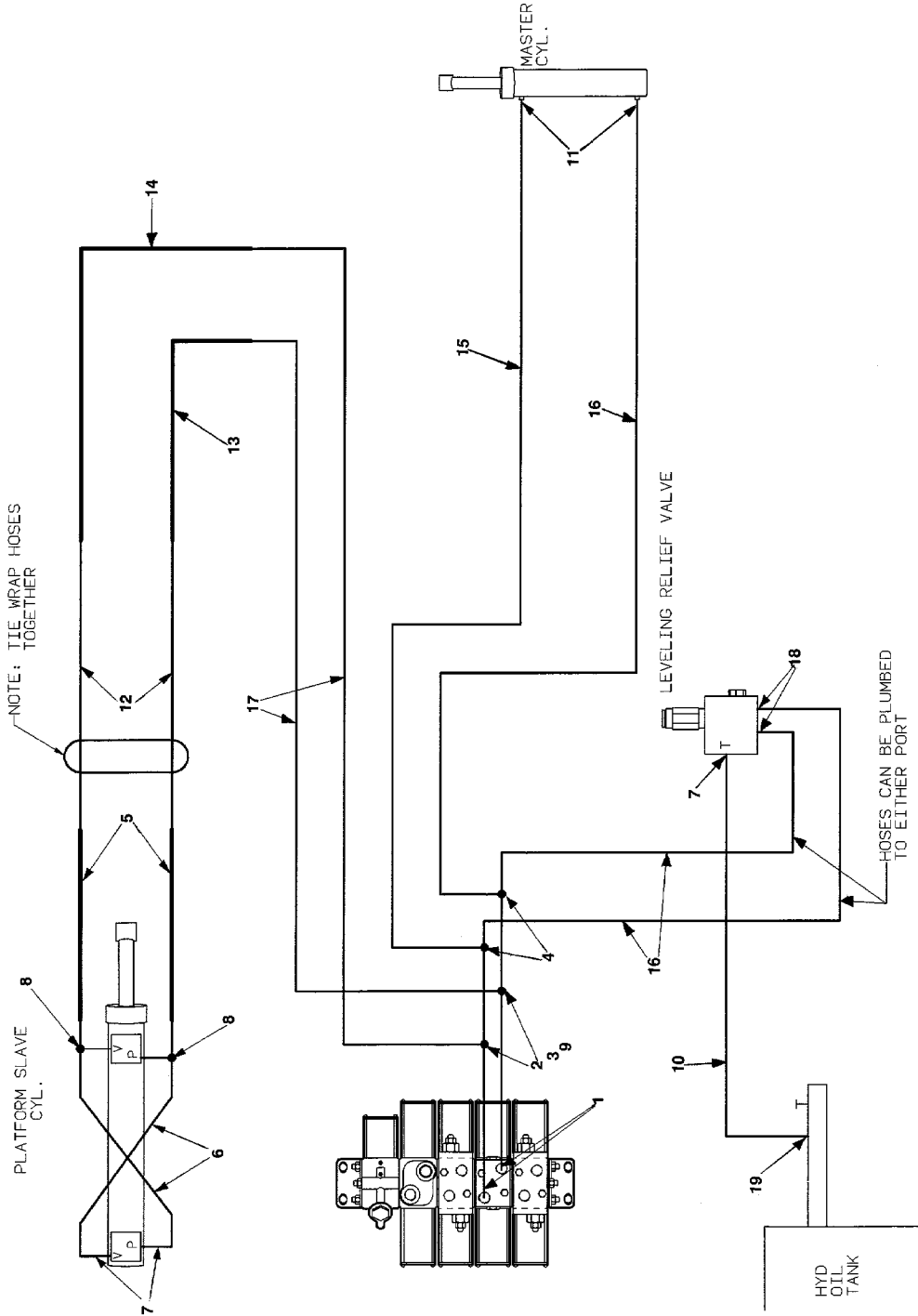
# SECTION 6 HYDRAULICS

FIGURE 6-4. DRIVE HYDRAULIC DIAGRAM (4WD) (CONTINUED)

FIG & ITEM #	PART NUMBER	DESCRIPTION	QTY.	REV.

SECTION 6 HYDRAULICS

FIGURE 6-5. LEVEL HYDRAULIC DIAGRAM (2-SECTION)



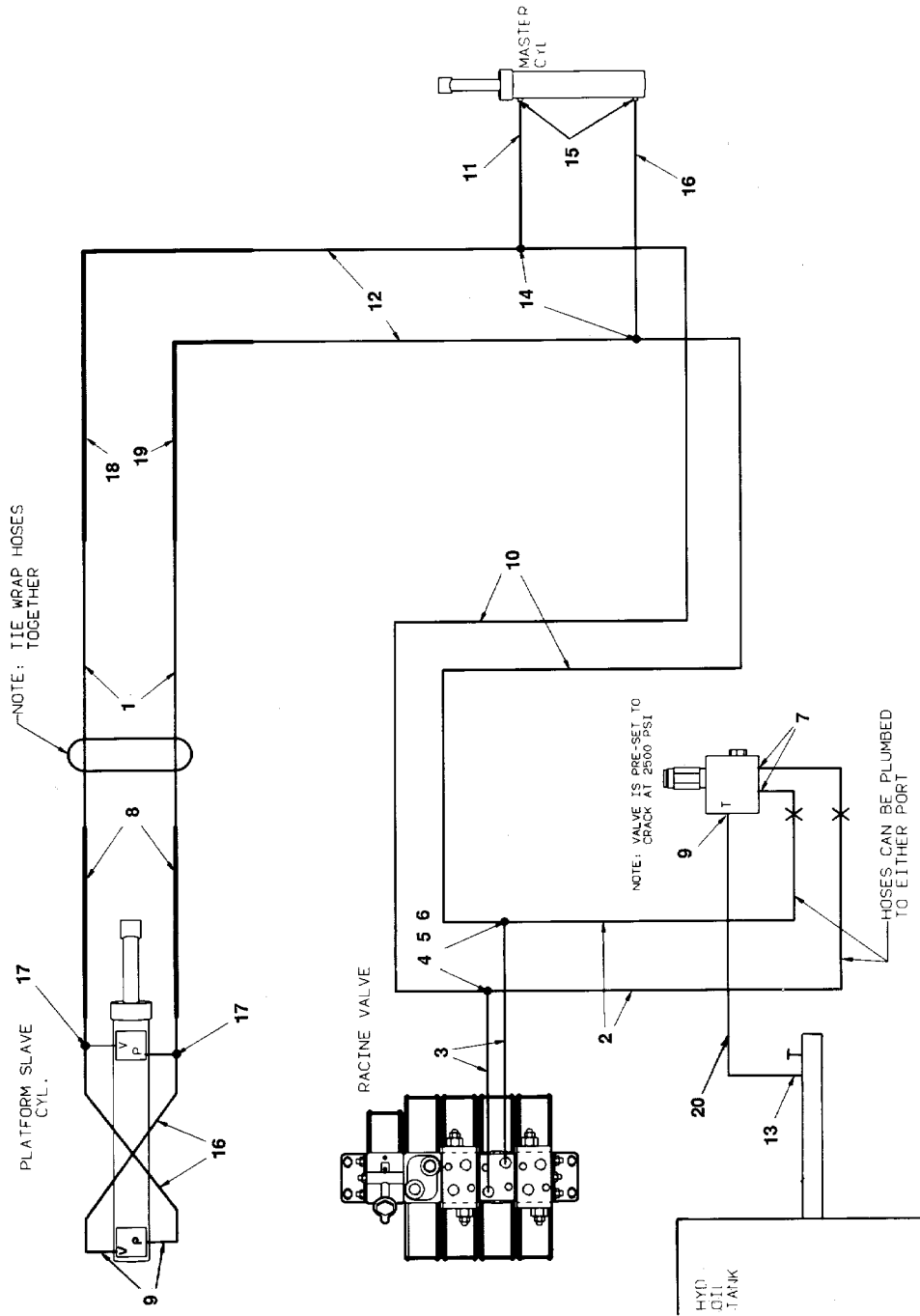
# SECTION 6 HYDRAULICS

**FIGURE 6-5. LEVEL HYDRAULIC DIAGRAM (2-SECTION)**

FIG & ITEM #	PART NUMBER	DESCRIPTION	QTY.	REV.
	2792070	LEVEL HYDRAULIC DIAGRAM (2-SECTION)	Ref.	A
1	2220591	Fitting, 90°	2	
2	2180379	Fitting, Tee	2	
3	2180621	Fitting, Plug	2	
4	2220635	Fitting, Tee	2	
5	4565873	Tube Assembly	2	
6	2750918	Hose	2	
7	2220473	Fitting, 90°	3	
8	2220899	Fitting, Tee	2	
9	0100011	Loctite	A/R	
10	2750998	Hose	1	
11	2220495	Fitting, 90°	2	
12	2751148	Hose	2	
13	4562534	Tube Assembly	1	
14	4562533	Tube Assembly	1	
15	2750786	Hose	1	
16	2750779	Hose	3	
17	2751151	Hose	2	
18	2220501	Fitting	2	
19	2220343	Fitting	1	

SECTION 6 HYDRAULICS

FIGURE 6-6. LEVEL HYDRAULIC DIAGRAM (3-SECTION)



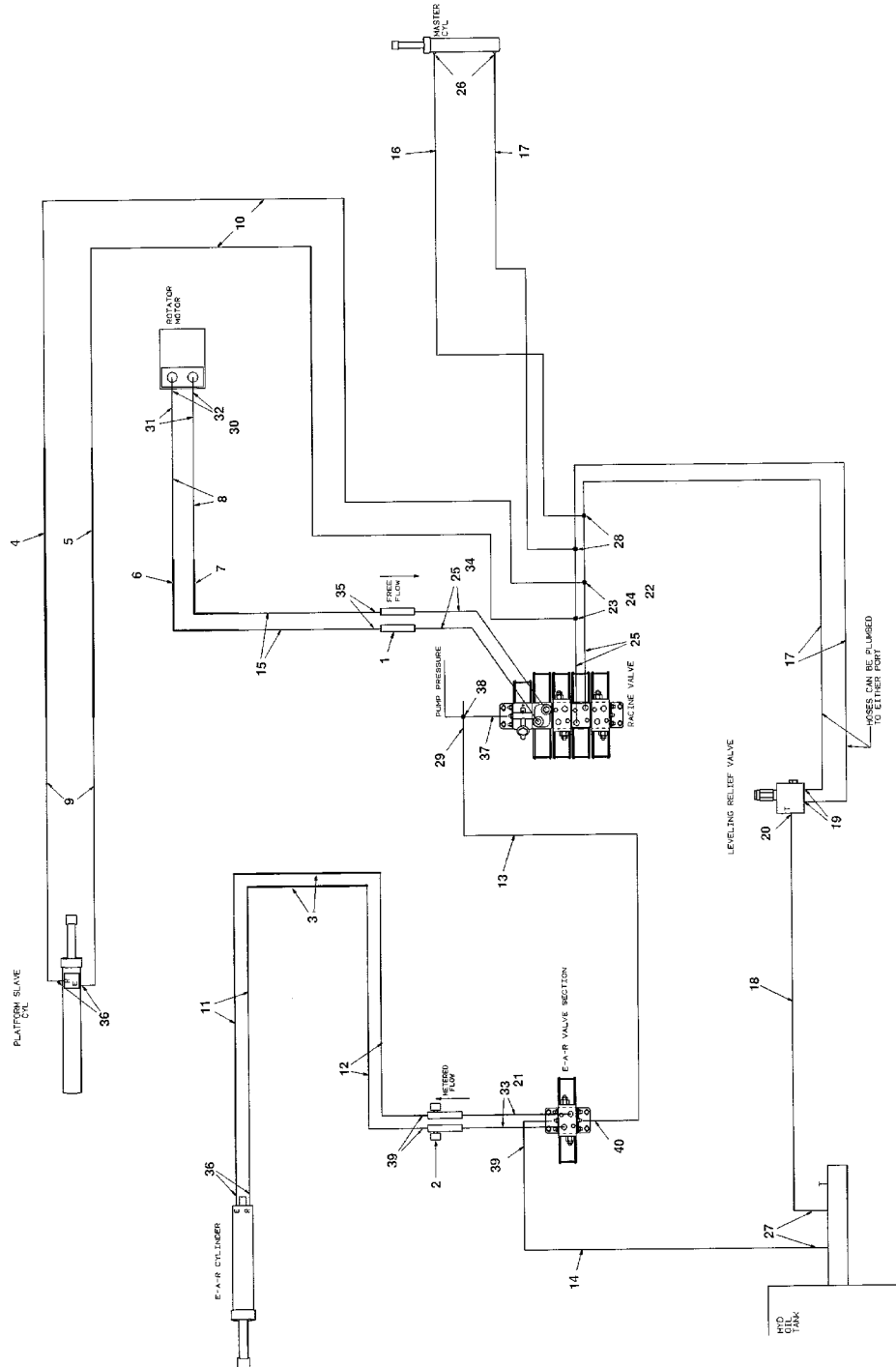
# SECTION 6 HYDRAULICS

**FIGURE 6-6. LEVEL HYDRAULIC DIAGRAM (3-SECTION)**

FIG & ITEM #	PART NUMBER	DESCRIPTION	QTY.	REV.
	2792071	LEVEL HYDRAULIC DIAGRAM (3-SECTION)	Ref.	A
1	2751840	Hose	2	
2	2750779	Hose	2	
3	2220591	Fitting, 90°	2	
4	2180379	Fitting, Tee	2	
5	2180621	Fitting, Plug	2	
6	0100011	Loctite	A/R	
7	2220501	Fitting, 45°	2	
8	4565873	Tube Assembly	2	
9	2220473	Fitting, 90°	3	
10	2750924	Hose	2	
11	2750785	Hose	1	
12	2751151	Hose	2	
13	2220343	Fitting, Straight	1	
14	2220490	Fitting, Tee	2	
15	2220495	Fitting, 90°	2	
16	2750418	Hose	3	
17	2220899	Fitting, Tee	2	
18	4563213	Tube Assembly	1	
19	4563212	Tube Assembly	1	
20	2750998	Hose	1	

SECTION 6 HYDRAULICS

FIGURE 6-7. LEVEL HYDRAULIC DIAGRAM WITH EXTEND-A-REACH AND ROTATE SUPPORT



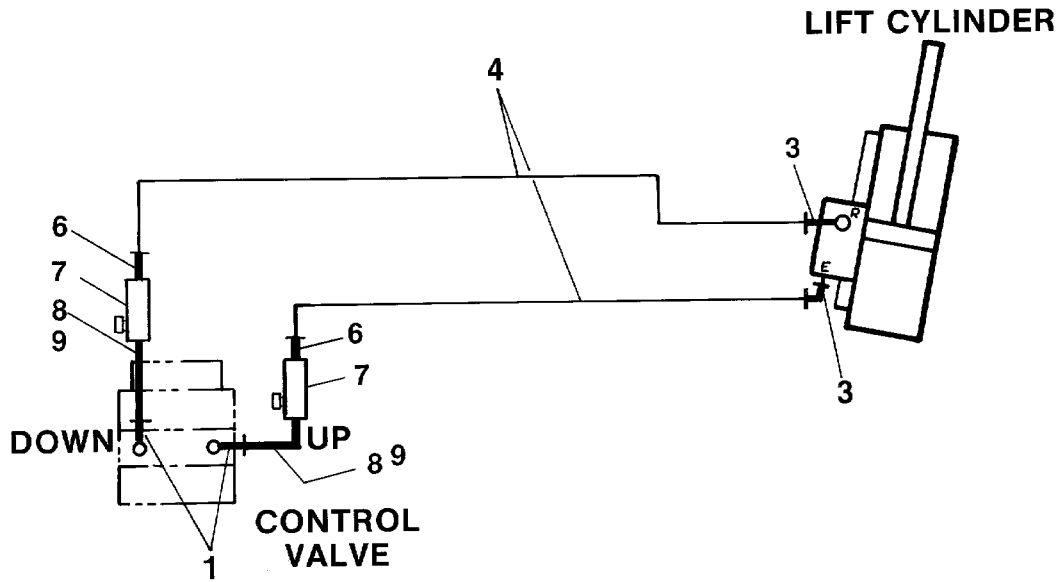
# SECTION 6 HYDRAULICS

**FIGURE 6-7. LEVEL HYDRAULIC DIAGRAM WITH EXTEND-A-REACH AND ROTATE SUPPORT**

FIG & ITEM #	PART NUMBER	DESCRIPTION	QTY.	REV.
	2792072	<b>LEVEL HYDRAULIC DIAGRAM WITH EXTEND-A-REACH AND ROTATE SUPPORT</b>	Ref.	B
1	4640778	Valve, Restrictor	2	
2	4640757	Valve	2	
3	4562719	Tube Assembly	2	
4	4562534	Tube Assembly	1	
5	4562533	Tube Assembly	1	
6	4562531	Tube Assembly	1	
7	4562532	Tube Assembly	1	
8	2751918	Hose	2	
9	2751863	Hose	2	
10	2751151	Hose	2	
11	2751152	Hose	2	
12	2751153	Hose	2	
13	2750990	Hose	1	
14	2751003	Hose	1	
15	2751447	Hose	2	
16	2750786	Hose	1	
17	2750779	Hose	3	
18	2750998	Hose	1	
19	2220501	Fitting, 45°	2	
20	2220473	Fitting, Straight	1	
21	2220596	Fitting, 90°	2	
22	0100011	Loctite	A/R	
23	2180379	Fitting, Modified Tee	2	
24	2180621	Fitting, Plug	2	
25	2220591	Fitting, 90°	4	
26	2220495	Fitting, 90°	2	
27	2220343	Fitting, Straight	2	
28	2220635	Fitting, Tee	2	
29	2220619	Fitting, Reducer	1	
30	2220507	Fitting, 90°	2	
31	2220609	Fitting, Reducer	2	
32	2220497	Fitting, Straight	2	
33	2220651	Fitting, Straight	2	
34	2220895	Fitting, Straight	2	
35	2220415	Fitting	2	
36	2220399	Fitting, Straight	4	
37	2220500	Fitting, 45° (Prior to February 1995)	1	
38	2220385	Fitting	1	
39	2220372	Fitting, Straight	3	
40	2220371	Fitting, Straight	1	

# SECTION 6 HYDRAULICS

FIGURE 6-8. LIFT HYDRAULIC DIAGRAM (VICKERS)





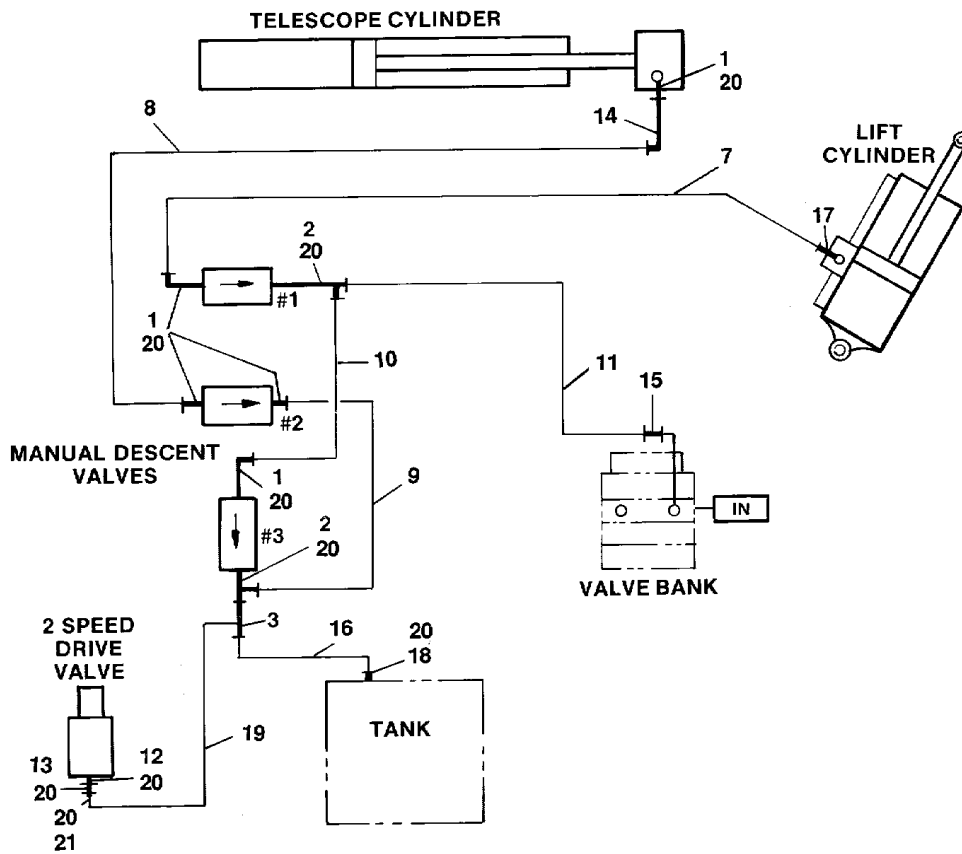
# SECTION 6 HYDRAULICS

**FIGURE 6-8. LIFT HYDRAULIC DIAGRAM (VICKERS)**

FIG & ITEM #	PART NUMBER	DESCRIPTION	QTY.	REV.
	2791189	LIFT HYDRAULIC DIAGRAM (VICKERS)	Ref.	F
1	2220577	Fitting, O-Ring	2	
2	Not Used			
3	2220501	Fitting, 45°	2	
4	2751102	Hose	2	
5	Not Used			
6	2220399	Fitting, Pipe - JIC	2	
7	4640128	Valve, Flow Control	2	
8	2220438	Fitting, Pipe	2	
9	2220741	Fitting, Pipe	2	

# SECTION 6 HYDRAULICS

FIGURE 6-9. MANUAL DESCENT HYDRAULIC DIAGRAM



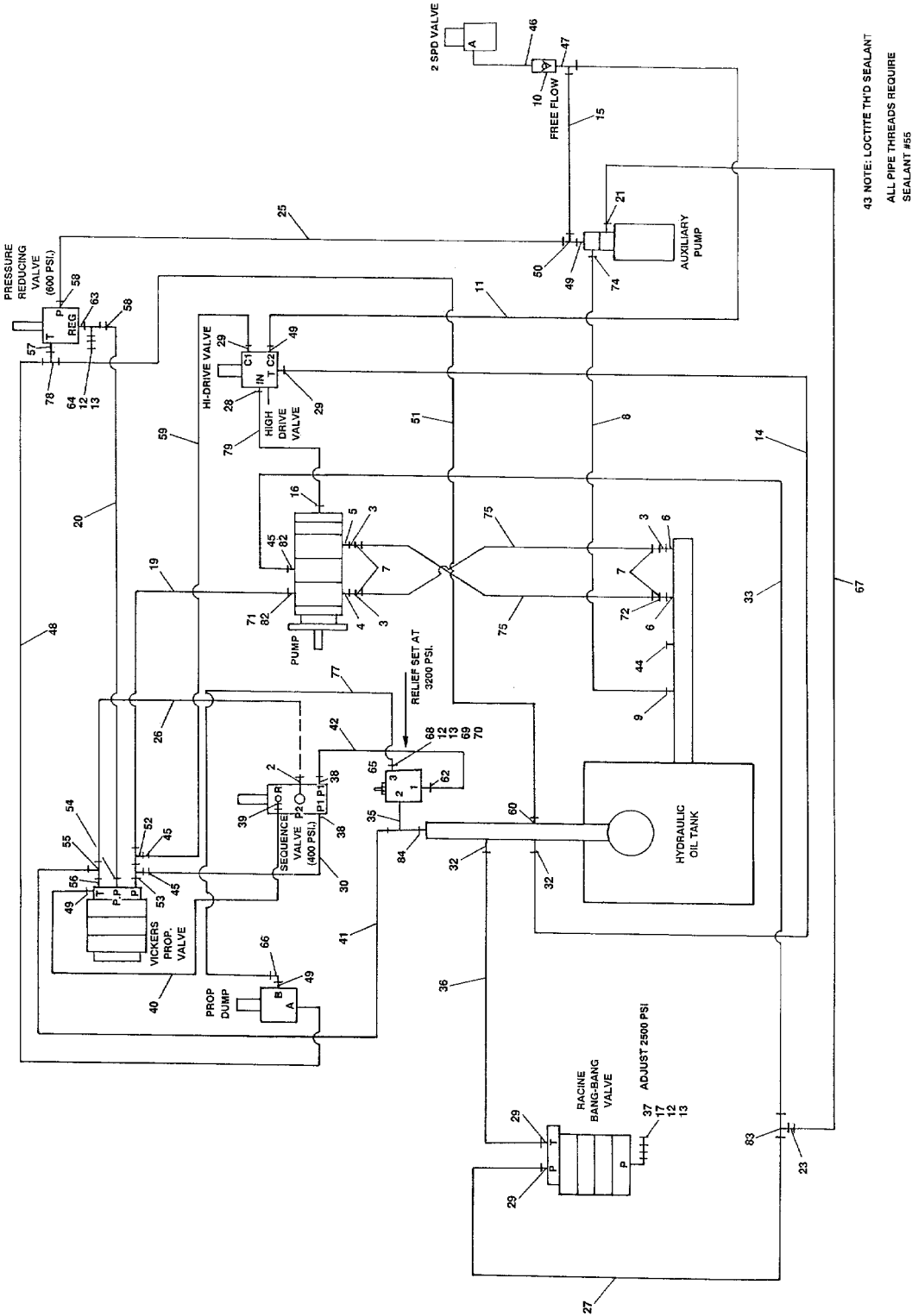
# SECTION 6 HYDRAULICS

**FIGURE 6-9. MANUAL DESCENT HYDRAULIC DIAGRAM**

FIG & ITEM #	PART NUMBER	DESCRIPTION	QTY.	REV.
	2790899	<b>MANUAL DESCENT HYDRAULIC DIAGRAM</b>	Ref.	9
1	2220416	Fitting, Pipe	5	
2	2220684	Fitting, Tee	2	
3	2220605	Fitting, Tee	1	
4 to 6	Not Used			
7	2750756	Hose	1	
8	2750905	Hose	1	
9	2750900	Hose	1	
10	2751397	Hose	1	
11	2750893	Hose	1	
12	2220417	Fitting	1	
13	2180217	Fitting (Prior to S/N 47999)	1	
14	2220508	Fitting, 90°	1	
15	2220609	Fitting	1	
16	2751411	Hose	1	
17	2220466	Fitting, 90°	1	
18	2220417	Fitting	1	
19	2751427	Hose	1	
20	0100020	Loctite	A/R	
21	2220909	Fitting	1	

# SECTION 6 HYDRAULICS

## FIGURE 6-10. PUMP HYDRAULIC DIAGRAM WITH 3-CYLINDER DEUTZ



# SECTION 6 HYDRAULICS

**FIGURE 6-10. PUMP HYDRAULIC DIAGRAM WITH 3-CYLINDER DEUTZ**

FIG & ITEM #	PART NUMBER	DESCRIPTION	QTY.	REV.
	2791843	<b>PUMP HYDRAULIC DIAGRAM WITH 3-CYLINDER DEUTZ</b>	Ref.	C
1	Not Used			
2	2220347	Fitting, Straight	1	
3	2210014	Fitting, Nipple	3	
4	2220377	Fitting, Straight	1	
5	2220379	Fitting, Straight	1	
6	2220491	Fitting, Straight	2	
7	1320014	Clamp	8	
8	2750125	Hose	1	
9	2220009	Fitting	1	
10	4640197	Valve, Check	1	
11	2751398	Hose	1	
12	2220428	Fitting	3	
13	2220429	Cap, Dust	3	
14	2750776	Hose	1	
15	2750900	Hose	1	
16	2220366	Fitting, 90°	1	
17	2220261	Fitting	1	
18	Not Used			
19	2751335	Hose	1	
20	2751427	Hose	1	
21	2220466	Fitting, 90°	1	
22	Not Used			
23	2220618	Fitting, Reducer	1	
24	Not Used			
25	2750902	Hose	1	
26	2751355	Hose	1	
27	2750982	Hose	1	
28	2220500	Fitting, 45°	1	
29	2220373	Fitting	4	
30	2750969	Hose	1	
31	Not Used			
32	2220345	Fitting, Straight	2	
33	2750766	Hose	1	
34	Not Used			
35	2220896	Fitting, Tee	1	
36	2750927	Hose	1	
37	2220111	Fitting, 90°	1	
38	2220470	Fitting, 90°	2	
39	2220416	Fitting, 90°	1	
40	2751412	Hose	1	
41	2751622	Hose	1	
42	2750757	Hose	1	
43	0100020	Sealant	A/R	
44	3520022	Fitting, Plug	1	
45	2220622	Fitting, Reducer	3	
46	2220673	Fitting, 90°	1	

## SECTION 6 HYDRAULICS

FIGURE 6-10. PUMP HYDRAULIC DIAGRAM WITH 3-CYLINDER DEUTZ (CONTINUED)

FIG & ITEM #	PART NUMBER	DESCRIPTION	QTY.	REV.
47	2220634	Fitting, Tee	1	
48	2751012	Hose	1	
49	2220582	Fitting, Straight	4	
50	2220605	Fitting, Tee	1	
51	2750894	Hose	1	
52	2220700	Fitting, Tee	1	
53	2220695	Fitting, Tee	1	
54	2220472	Fitting, 90°	1	
55	2220682	Fitting, Tee	1	
56	2220435	Fitting, Straight	1	
57	2220250	Fitting, Reducer	1	
58	2220585	Fitting, 90°	2	
59	2750771	Hose	1	
60	2220417	Fitting, Straight	1	
61	Not Used			
62	2220374	Fitting, Straight	1	
63	2220444	Fitting, Tee	1	
64	2220438	Fitting, Nipple	1	
65	4640520	Valve, Relief	1	
66	2220677	Fitting, 45°	1	
67	2751397	Hose	1	
68	2220727	Fitting	1	
69	2220752	Fitting	1	
70	2220414	Fitting	1	
71	2220407	Fitting, 90°	1	
72	2210035	Fitting, 90°	1	
73	Not Used			
74	2220114	Fitting, 90°	1	
75	2720325	Hose, Suction	2	
76	Not Used			
77	2751391	Hose	1	
78	2220584	Fitting, Tee	1	
79	2751517	Hose	1	
80	Not Used			
81	Not Used			
82	4640575	Valve, Check	2	
83	2220362	Fitting	1	
84	2220834	Fitting	1	

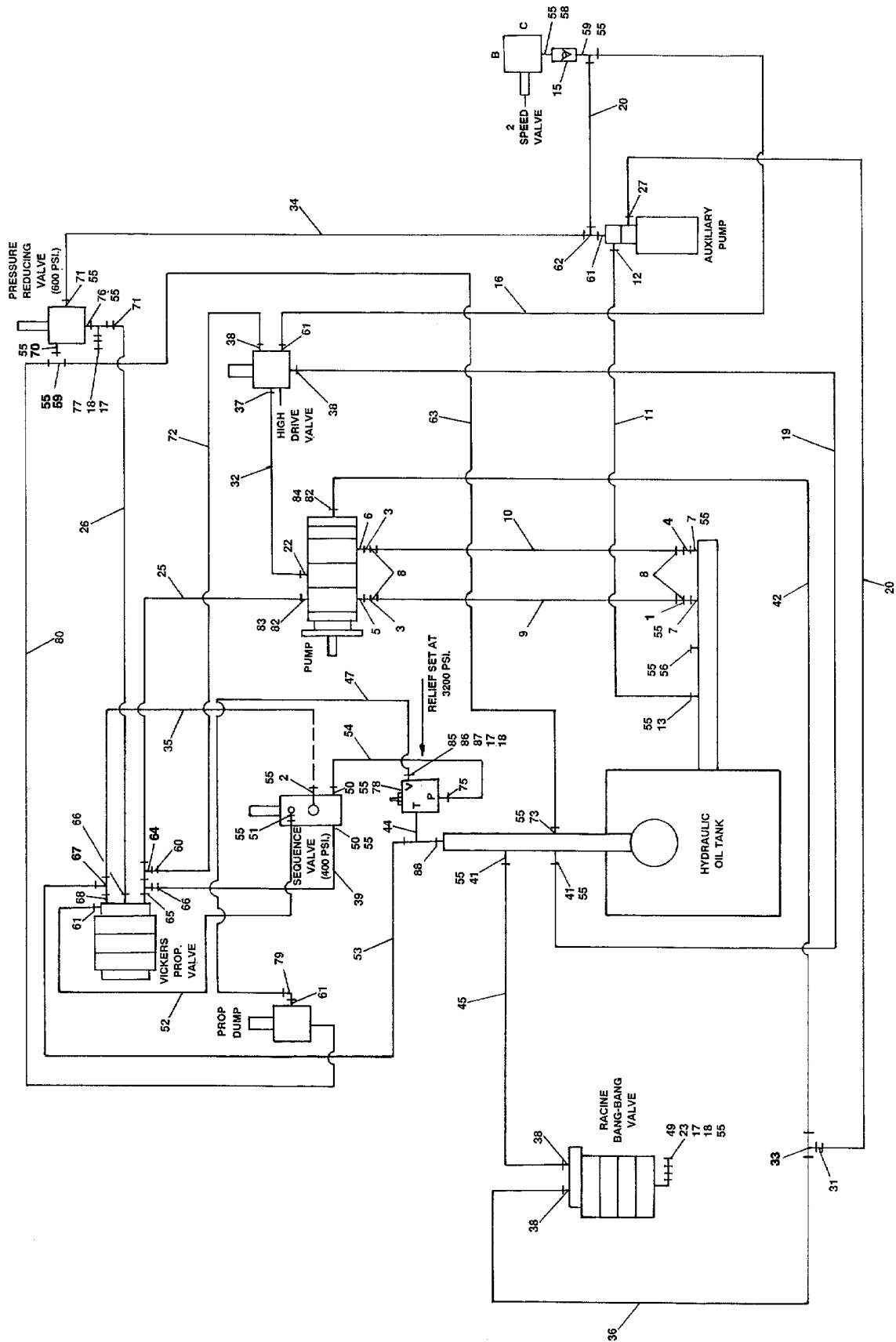
# SECTION 6 HYDRAULICS

FIGURE 6-10. PUMP HYDRAULIC DIAGRAM WITH 3-CYLINDER DEUTZ (CONTINUED)

FIG & ITEM #	PART NUMBER	DESCRIPTION	QTY.	REV.

# SECTION 6 HYDRAULICS

FIGURE 6-11. PUMP HYDRAULIC DIAGRAM WITH FORD ENGINES (MARCH 1995 TO PRESENT)





# SECTION 6 HYDRAULICS

**FIGURE 6-11. PUMP HYDRAULIC DIAGRAM WITH FORD ENGINES (MARCH 1995 TO PRESENT)**

FIG & ITEM #	PART NUMBER	DESCRIPTION	QTY.	REV.
	2792198	<b>PUMP HYDRAULIC DIAGRAM WITH FORD ENGINES</b>	Ref.	A
1	2210011	Fitting, Nipple	1	
2	2220347	Fitting, Straight	2	
3	2210025	Fitting, Nipple	2	
4	2210043	Fitting, Nipple	1	
5	2220479	Fitting, Straight	1	
6	2220380	Fitting, Straight	1	
7	2220350	Fitting, Straight	2	
8	1320033	Clamp, Hose	8	
9	2720391	Hose, Suction 1 1/4" x 58"	2	
10	Not Used			
11	2750125	Hose	1	
12	2220114	Fitting, 90°	1	
13	2220009	Fitting, Straight	1	
14	Not Used			
15	4640197	Valve, Check	1	
16	2751398	Hose	1	
17	2220428	Fitting	3	
18	2220429	Fitting	3	
19	2750776	Hose	1	
20	2750900	Hose	2	
21	Not Used			
22	2220366	Fitting, 90°	1	
23	2220261	Fitting, Nipple	1	
24	Not Used			
25	2751360	Hose	1	
26	2751427	Hose	1	
27	2220466	Fitting, 90°	1	
28 to 30	Not Used			
31	2220618	Fitting, Reducer	1	
32	2750976	Hose	1	
33	2220362	Fitting, Tee	1	
34	2750902	Hose	1	
35	2751355	Hose	1	
36	2750982	Hose	1	
37	2220500	Fitting, 45°	1	
38	2220373	Fitting, Straight	4	
39	2750969	Hose	1	
40	Not Used			
41	2220345	Fitting, Straight	2	
42	2750766	Hose	1	
43	Not Used			
44	2220896	Fitting, Tee	1	
45	2750927	Hose	1	
46	Not Used			
47	2751391	Hose	1	
48	Not Used			

# SECTION 6 HYDRAULICS

**FIGURE 6-11. PUMP HYDRAULIC DIAGRAM WITH FORD ENGINES (MARCH 1995 TO PRESENT)  
(CONTINUED)**

FIG & ITEM #	PART NUMBER	DESCRIPTION	QTY.	REV.
49	2220111	Fitting, 90°	1	
50	2220470	Fitting, 90°	2	
51	2220416	Fitting, 90°	1	
52	2751412	Hose	1	
53	2751622	Hose	1	
54	2750757	Hose	1	
55	0100020	Sealant	A/R	
56	3520022	Fitting, Plug	1	
57	Not Used			
58	2220673	Fitting, 90°	1	
59	2220684	Fitting, Tee	2	
60	2220622	Fitting, Reducer	2	
61	2220582	Fitting, O-Ring	4	
62	2220605	Fitting, Tee	1	
63	2750894	Hose	1	
64	2220700	Fitting, Tee	1	
65	2220695	Fitting, Tee	1	
66	2220472	Fitting, 90°	1	
67	2220682	Fitting, Tee	1	
68	2220435	Fitting, Straight	1	
69	Not Used			
70	2220250	Fitting, Pipe Reducer	1	
71	2220585	Fitting, 90°	2	
72	2750771	Hose	1	
73	2220417	Fitting, Straight	1	
74	Not Used			
75	2220374	Fitting, Straight	1	
76	2220444	Fitting, Tee	1	
77	2220438	Fitting, Nipple	1	
78	4640520	Valve	1	
	7004279	Cartridge Only	1	
	7004280	Seal Kit - 7004279 Valve	1	
79	2220677	Fitting, 45°	1	
80	2751012	Hose	1	
81	Not Used			
82	4640575	Valve	2	
83	2220407	Fitting, 90°	1	
84	2220622	Fitting, Reducer	1	
85	2220727	Fitting	1	
86	2220752	Fitting	1	
87	2220414	Fitting	1	
88	2220834	Fitting	1	

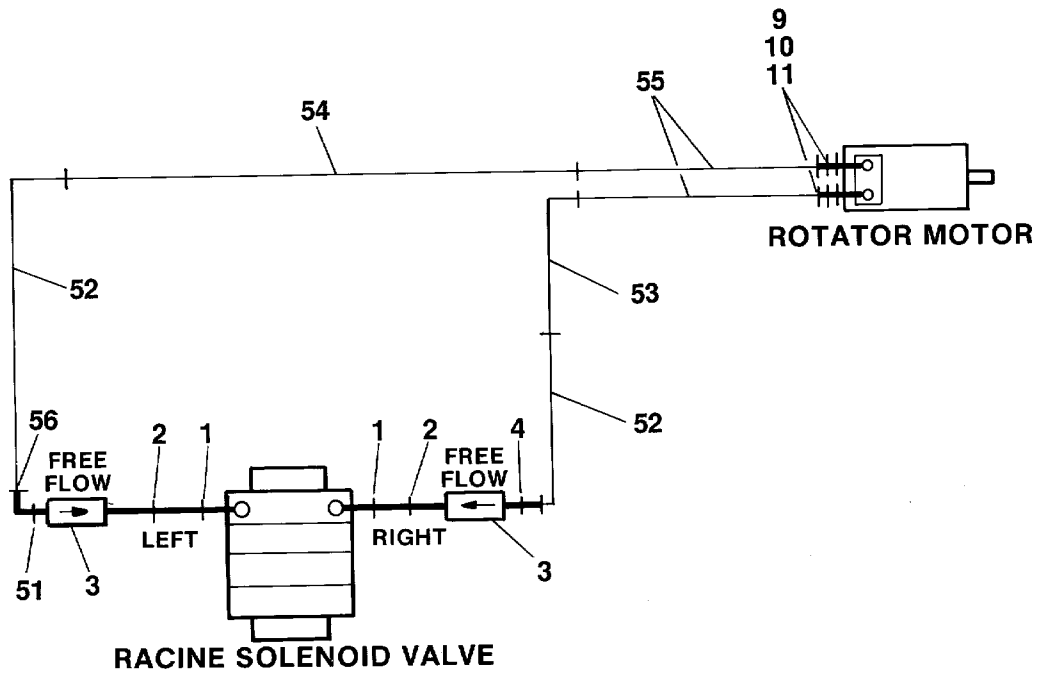
# SECTION 6 HYDRAULICS

FIGURE 6-11. PUMP HYDRAULIC DIAGRAM WITH FORD ENGINES (MARCH 1995 TO PRESENT)  
(CONTINUED)

FIG & ITEM #	PART NUMBER	DESCRIPTION	QTY.	REV.

## SECTION 6 HYDRAULICS

**FIGURE 6-12. ROTATE HYDRAULIC DIAGRAMS 2-SECTION AND 3-SECTION BOOMS**



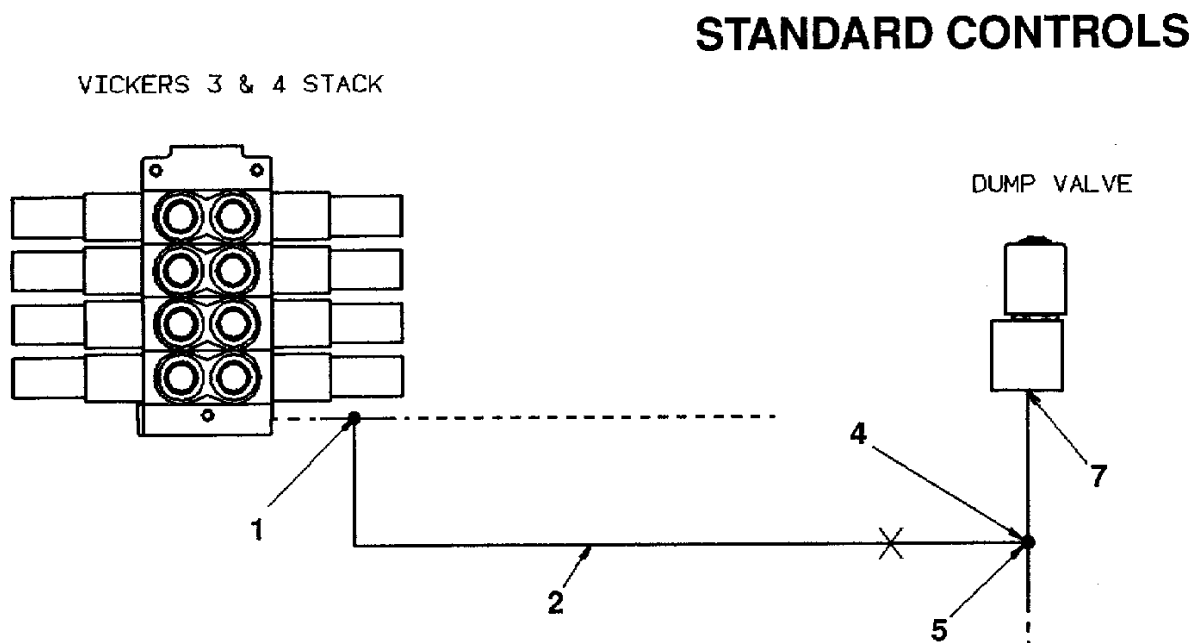
# SECTION 6 HYDRAULICS

**FIGURE 6-12. ROTATE HYDRAULIC DIAGRAMS 2-SECTION AND 3-SECTION BOOMS**

FIG & ITEM #	PART NUMBER	DESCRIPTION	QTY.	REV.
		<b>HYDRAULIC DIAGRAM (STANDARD PARTS)</b>	Ref.	
1	2220446	Fitting, O-Ring	2	
2	2220438	Fitting, Pipe Nipple	2	
3	4640383	Valve, Restrictor	2	
4 to 8	Not Used			
9	2220609	Fitting, Straight	2	
10	2220507	Fitting, 90°	2	
11	2220497	Fitting, Straight	2	
12	Not Used			
		<b>HYDRAULIC DIAGRAM (VARIABLE PARTS)</b>	Ref.	
	2790889	<b>2-SECTION BOOM</b>	Ref.	F
	2790995	<b>3-SECTION BOOM (PRIOR TO S/N 36202)</b>	Ref.	C
51		Fitting, Straight Options:	2	
	2220416	2-Section		
	2220414	3-section		
52		Hose Options:	2	
	2751447	2-Section		
	2751437	3-section		
53		Tube Options:	1	
	4562532	2-Section		
	4563210	3-section		
54		Tube Options:	1	
	4562531	2-Section		
	4563211	3-section		
55		Hose Options:	2	
	2751436	2-Section		
	2751875	3-section		
56		Fitting Options:	1	
	Not Required	2-Section		
	2220462	3-section		

# SECTION 6 HYDRAULICS

FIGURE 6-13. SEQUENCE HYDRAULIC DIAGRAM



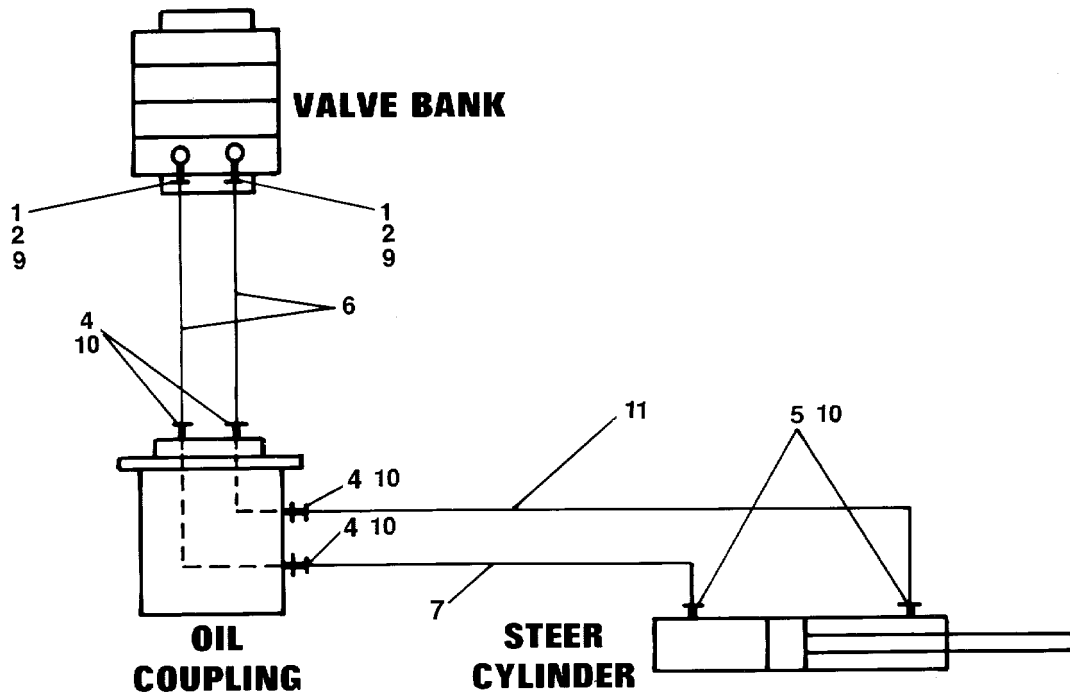
# SECTION 6 HYDRAULICS

**FIGURE 6-13. SEQUENCE HYDRAULIC DIAGRAM**

FIG & ITEM #	PART NUMBER	DESCRIPTION	QTY.	REV.
	2791698	<b>SEQUENCE HYDRAULIC DIAGRAM</b>	Ref.	A
1	2220605	Fitting	1	
2	2750889	Hose	1	
3	Not Used			
4	2220909	Fitting	1	
5	2220605	Fitting, Tee	1	
6	Not Used			
7	2220582	Fitting, Straight	1	

**SECTION 6 HYDRAULICS**

**FIGURE 6-14. STEER HYDRAULIC DIAGRAM 2WD AND 4WD**





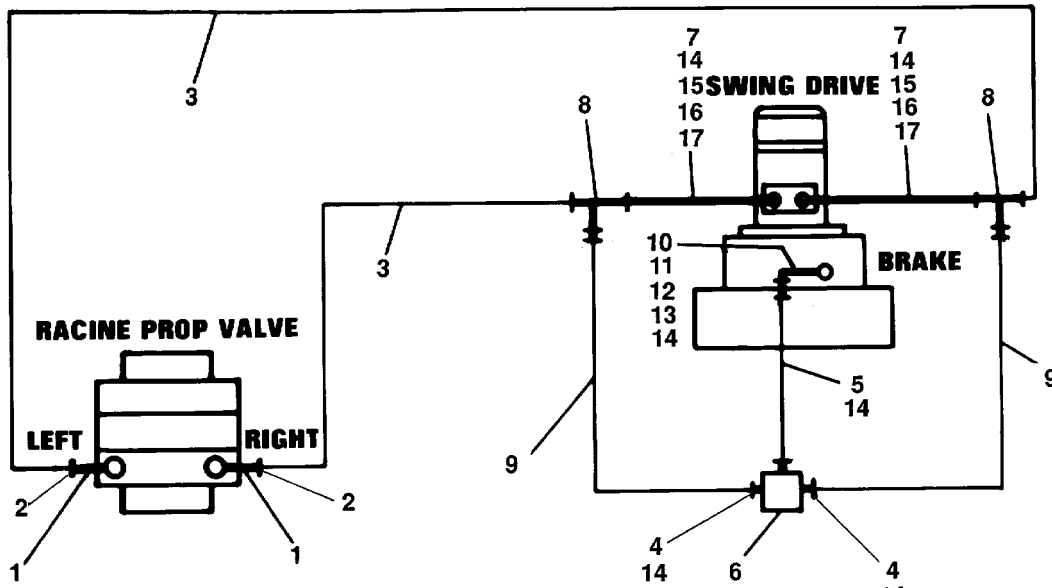
# SECTION 6 HYDRAULICS

**FIGURE 6-14. STEER HYDRAULIC DIAGRAM 2WD AND 4WD**

FIG & ITEM #	PART NUMBER	DESCRIPTION	QTY.	REV.
	2790894	HYDRAULIC DIAGRAM -2 WD	Ref.	D
	2791724	HYDRAULIC DIAGRAM - 4WD	Ref.	A
1	2180540	Fitting, O-Ring	2	
2	2180380	Fitting	2	
3	Not Used			
4	2220414	Fitting, Pipe	4	
5	2220416	Fitting, 90°	2	
6	2751396	Hose	2	
7		Hose Options:	1	
	2751410	2WD		
	2750892	4WD		
8	Not Used			
9	0100011	Loctite #242	A/R	
10	0100020	Loctite #56747	A/R	
11	2750892	Hose	1	

# SECTION 6 HYDRAULICS

FIGURE 6-15. SWING HYDRAULIC DIAGRAM



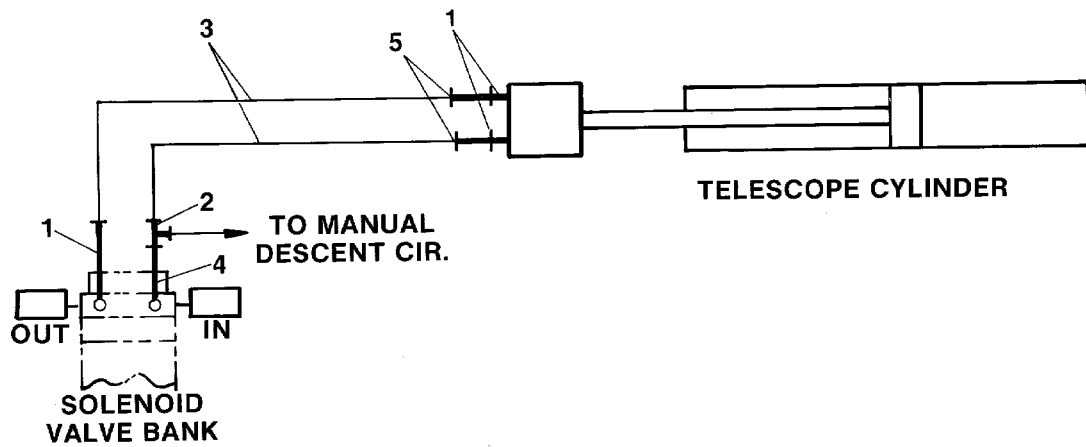
# SECTION 6 HYDRAULICS

**FIGURE 6-15. SWING HYDRAULIC DIAGRAM**

FIG & ITEM #	PART NUMBER	DESCRIPTION	QTY.	REV.
	2791190	<b>SWING HYDRAULIC DIAGRAM</b>	Ref.	A
1	2220221	Fitting, O-Ring	2	
2	2220582	Fitting, O-Ring	2	
3	2750892	Hose	2	
4	2220416	Fitting, 90°	2	
5	2220261	Fitting	1	
6	4640013	Valve, Shuttle	1	
7	2220757	Fitting, Modified	2	
8	2220605	Fitting, Tee	2	
9	2750900	Hose	2	
10	2220110	Fitting, O-Ring	1	
11	2180166	Fitting, Tee	1	
12	2220428	Fitting, Quick Connect	1	
13	2220429	Fitting	1	
14	0100020	Loctite, Sealant	A/R	
15	2220609	Fitting, Reducer	2	
16	2180083	Fitting, Orifice	2	
17	0100011	Loctite #242	A/R	

**SECTION 6 HYDRAULICS**

**FIGURE 6-16. TELESCOPE HYDRAULIC DIAGRAM**



# SECTION 6 HYDRAULICS

**FIGURE 6-16. TELESCOPE HYDRAULIC DIAGRAM**

FIG & ITEM #	PART NUMBER	DESCRIPTION	QTY.	REV.
	2790900	<b>TELESCOPE HYDRAULIC DIAGRAM</b>	Ref.	D
1	2220372	Fitting, O-Ring	3	
2	2220616	Fitting, Tee	1	
3	2750909	Hose	2	
4	2220591	Fitting, O-Ring Reducer	1	
5	2220507	Fitting, 90°	2	

# SECTION 6 HYDRAULICS

**S  
E  
C  
T  
I  
O  
N  
  
6  
  
H  
Y  
D  
R  
A  
U  
L  
I  
C  
S**

**FIGURE 6-16. TELESCOPE HYDRAULIC DIAGRAM (CONTINUED)**

FIG & ITEM #	PART NUMBER	DESCRIPTION	QTY.	REV.

# SECTION 7 ELECTRICAL

<b>TABLE OF CONTENTS</b>		
<b>FIGURE</b>	<b>DESCRIPTION</b>	<b>PAGE</b>
7-1	ELECTRICAL DIAGRAM LIST .....	7-2
7-2	WIRING DIAGRAM - DUAL FUEL (FORD AND WISCONSIN ENGINES) .....	7-12
7-3	WIRING DIAGRAM - 110V GENERATOR (DEUTZ ENGINE) .....	7-13
7-4	WIRING DIAGRAM - 110V GENERATOR (FORD ENGINE) .....	7-14
7-5	WIRING DIAGRAM - PLATFORM CONSOLE STANDARD CONTROLS .....	7-16
7-6	WIRING DIAGRAM - PLATFORM CONSOLE HYDRAULIC CONTROLS .....	7-18
7-7	WIRING DIAGRAM - STANDARD (DEUTZ F2L511/F3L912 AND WISCONSIN ENGINES WITH STANDARD CONTROLS) .....	7-20
7-8	WIRING DIAGRAM - STANDARD (DEUTZ F2L511/F3L912 AND WISCONSIN ENGINES WITH HYDRAULIC CONTROLS) .....	7-22
7-9	WIRING DIAGRAM - STANDARD (DEUTZ F3L1011 ENGINES WITH STANDARD CONTROLS) .....	7-24
7-10	WIRING DIAGRAM - STANDARD (DEUTZ F3L1011 ENGINES WITH HYDRAULIC CONTROLS) .....	7-26
7-11	WIRING DIAGRAM - STANDARD (FORD LRG423 DIS ENGINE WITH STANDARD CONTROLS) .....	7-28
7-12	WIRING DIAGRAM - STANDARD (FORD LRG423 DIS ENGINE WITH HYDRAULIC CONTROLS) .....	7-30

# SECTION 7 ELECTRICAL

FIG & ITEM #	PART NUMBER	DESCRIPTION	QTY.	REV.
7-1		<b>ELECTRICAL DIAGRAM LIST</b>	Ref.	
		<b>Note: Diagrams with asterisk (*) are shown in the following pages. Diagrams not shown are available for the JLG Service Department.</b>	Ref.	
		<b>Alarm Wiring Diagrams</b>	Ref.	
		<b>Standard and Hydraulic Controls (Prior to April 1992)</b>	Ref.	
	4931472/1280555	<b>Back-up Alarm Wiring Diagram</b>	Ref.	A/B
	4931468/1280555	<b>Descent Alarm Wiring Diagram</b>	Ref.	A/B
	0239055	<b>Motion Alarm Wiring Diagram</b>	Ref.	A
	4931520/1280555	<b>Swing Alarm Wiring Diagram</b>	Ref.	A/B
	4931470/1280555	<b>Tilt Alarm Wiring Diagram</b>	Ref.	A/B
	4931399/1280555	<b>Travel Alarm Wiring Diagram</b>	Ref.	B/B
	3990010	Diode - 6 Amp	A/R	
	3740049	Relay - SPST	1	
		<b>Standard Controls (April 1992 to April 1993)</b>	Ref.	
	4932507/1281840	<b>Back-up Alarm Wiring Diagram</b>	Ref.	-/-
	4932507/1281840	<b>Descent Alarm Wiring Diagram</b>	Ref.	-/-
	4932508/1281840	<b>Motion Alarm Wiring Diagram</b>	Ref.	-/-
	4932507/1281840	<b>Swing Alarm Wiring Diagram</b>	Ref.	-/-
	0253077	<b>Tilt Alarm Wiring Diagram</b>	Ref.	—
	4932507/1281840	<b>Travel Alarm Wiring Diagram</b>	Ref.	-/-
	0610091	Card, Circuit	1	
	3740049	Relay	1	
	3990010	Diode - 6 Amp	A/R	
	0140026	Alarm (Tilt Only - Located at Console)	A/R	
		<b>Standard Controls (April 1993 to Present)</b>	Ref.	
	4932637/1282091	<b>Back-up Alarm Wiring Diagram</b>	Ref.	2/D
	4932637/1282091	<b>Descent Alarm Wiring Diagram</b>	Ref.	2/D
	4932639/1282091	<b>Motion Alarm Wiring Diagram</b>	Ref.	2/D
	4932637/1282091	<b>Swing Alarm Wiring Diagram</b>	Ref.	2/D
	0253077	<b>Tilt Alarm Without Cutout Wiring Diagram</b>	Ref.	—
	0254203	<b>Tilt Alarm With Cutout Wiring Diagram</b>	Ref.	—
	4932637/1282091	<b>Travel Alarm Wiring Diagram</b>	Ref.	2/D
	3740049	Relay	1	
	3990010	Diode - 6 Amp	A/R	
	0610104	Card, Circuit	A/R	
	0140026	Alarm (Tilt Alarm Only - Located at Console)	A/R	
		<b>Hydraulic Controls (April 1992 to Present)</b>	Ref.	
	4932347/1281503	<b>Back-up Alarm Wiring Diagram</b>	Ref.	-/-
	4932346/1281503	<b>Descent Alarm Wiring Diagram</b>	Ref.	-/-
	4932345/1281503	<b>Motion Alarm Wiring Diagram</b>	Ref.	-/-
	4932349/1281503	<b>Swing Alarm Wiring Diagram</b>	Ref.	-/-
	0253077	<b>Tilt Alarm Wiring Diagram</b>	Ref.	—
	4932348/1281503	<b>Travel Alarm Wiring Diagram</b>	Ref.	-/-
	4360184	Switch, Pressure	1	
	3740049	Relay - SPST	1	
	3990010	Diode - 6 Amp	A/R	



# SECTION 7 ELECTRICAL

FIG & ITEM #	PART NUMBER	DESCRIPTION	QTY.	REV.
	0140026	Alarm (Tilt Alarm Only - Located at Console)	A/R	
		<b>Beacon/Strobe Light Wiring Diagrams</b>	Ref.	
	4931085	<b>Beacon Light - Platform Mounted (Prior to September 1991)</b>	Ref.	—
	4931740	<b>Beacon Light - Platform Mounted (September 1991 to April 1994)</b>	Ref.	A
	1281671	<b>Beacon Light - Platform Mounted (April 1994 to Present)</b>	Ref.	D
	4931674	<b>Beacon/Strobe Light - Turntable Mounted (Prior to February 1994)</b>	Ref.	—
	4932673	<b>Beacon/Strobe Light - Turntable Mounted (February 1994 to Present)</b>	Ref.	3
	1281771	<b>Cold Start Wiring Diagram - Deutz</b>	Ref.	H
	4931444/1281738*	<b>Dual Fuel Wiring Diagram (Prior to May 1995)</b>	Ref.	F/G
	4921305	Harness	1	
	4360201	Switch, Toggle (Located at Ground Control Box)	1	
	4932813	<b>Dual Fuel Wiring Diagram (May 1995 to Present)</b>	Ref.	—
	4921763	Harness	1	
	4360201	Switch, Toggle (Located at Ground Control Box)	1	
	4931671	<b>Engine Distress Wiring Diagram - Deutz F3L912 Engines (Prior to S/N 33476)</b>	Ref.	B
	4360179	Switch, Temperature	1	
	4360089	Flasher	1	
	3740013	Relay	1	
	4360065	Switch, Pressure	1	
	2920034	Lamp (Located at Platform Console)	1	
	3251695	Nameplate - Engine Distress	1	
	0255152	<b>Engine Distress Wiring Diagram - Deutz F3L912 Engines (S/N 33476 to Present)</b>	Ref.	3
	4360179	Switch, Temperature	1	
	3740049	Relay	1	
	4360065	Switch, Pressure	1	
	2920026	Lamp (Located at Platform Console)	1	
	0252661	<b>Engine Distress Wiring Diagram - Deutz F3L1011</b>	Ref.	4
	2920026	Lamp, Indicator	1	
	4921407	Harness	1	
	4360065	Switch, Pressure	1	
	4931598	<b>Engine Distress Wiring Diagram - Ford Engines (Prior to July 1994)</b>	Ref.	B
	3740013	Relay	1	
	4360089	Flasher	1	
	2920034	Lamp (Located at Platform Console)	1	
	3251695	Nameplate - Engine Distress	1	

# SECTION 7 ELECTRICAL

FIG & ITEM #	PART NUMBER	DESCRIPTION	QTY.	REV.
	4360182	Switch, Oil Pressure	1	
	4360157	Switch, Water Temperature	1	
	0255058	<b>Engine Distress Wiring Diagram - Ford Engines (July 1994 to Present)</b>	Ref.	B
	2920026	Lamp, Indicator - Red	1	
	2920029	Bulb, Light	1	
	4360182	Switch, Oil Pressure	1	
	4360157	Switch, Water Temperature	1	
	3740049	Relay	1	
	0251682	<b>Engine Shutdown Installation - Deutz F3L1011 Engines (Optional)</b>	Ref.	—
	3990010	Diode - 6 Amp	1	
	3740049	Relay	1	
	4360065	Switch, Pressure	1	
	4932892	<b>Engine Shutdown Installation - Deutz F3L912 Engines (Broken Fan Belt) (Optional)</b>	Ref.	—
	4921886	Harness	1	
	4931347	<b>Engine Shutdown Installation Ford Engines With Steering Wheel</b>	Ref.	B
	4931640	Extend-A-Reach Wiring Diagram	Ref.	C
	4360202	Switch, Toggle (Located at Both Control Boxes)	2	
	3251747	Nameplate - Articulate (Located on control boxes when equipped)	2	
	4920868	Harness, Extend-A-Reach Valve	1	
	4931314	<b>Generator Wiring Diagram - 110V (Deutz - Prior to May 1987)</b>	Ref.	C
	4931693*	<b>Generator Wiring Diagram - 110V (Deutz - May 1987 to Present)</b>	Ref.	E
	3990001	Diode - 3.5 Amp	1	
	3740049	Relay	1	
	4360294	Breaker, Circuit - 30 Amp	1	
	4931314	<b>Generator Wiring Diagram - 110V (Ford - Prior to May 1987)</b>	Ref.	C
	4931692	<b>Generator Wiring Diagram - 110V (Ford - May 1987 to March 1995)</b>	Ref.	D
	4932806*	<b>Generator Wiring Diagram - 110V (Ford - March 1995 to Present)</b>	Ref.	3
	3990001	Diode - 3.5 Amp	2	
	3740049	Relay (Prior to March 1995)	1	
	4360294	Breaker, Circuit - 30 Amp	1	
	4460027	Outlet, Twist Lock (March 1995 to Present)	1	

# SECTION 7 ELECTRICAL

FIG & ITEM #	PART NUMBER	DESCRIPTION	QTY.	REV.
	4931691	<b>Heaters Wiring Diagram (Deutz F3L912)</b>	Ref.	D
	1060300	Cable, Electrical - 16/3	50 ft.	
	1060515	Cable, Electrical - 12/4	20 ft.	
	4932474	<b>Heaters Wiring Diagram (Deutz F3L1011)</b>	Ref.	2
	1060016	Cable, Electrical - 16/3	30 ft.	
	1060012	Cable, Electrical - 12/4	10 ft.	
	4931411	<b>Heaters Wiring Diagram (Ford)</b>	Ref.	3
	1060016	Cable, Electrical - 16/3	30 ft.	
	1060515	Cable, Electrical - 12/4	10 ft.	
	0254097/1282112	<b>Lights Wiring Diagram - Brake Lights</b>	Ref.	—/C
	3740049	Relay	1	
	3990010	Diode - 6 Amp	5	
	4931412	<b>Lights Wiring Diagram - Headlight and Taillights (Prior to April 1987)</b>	Ref.	—
	4931678	<b>Lights Wiring Diagram - Headlights and Taillights (April 1987 to Present)</b>	Ref.	B
	4932080	<b>Lights Wiring Diagram - Headlights and Taillights Front and Rear</b>	Ref.	
	4360199	Switch, Toggle	1	
	0255026	<b>Lights Wiring Diagram - Head/Stop/Tail/Back-Up Lights and Turn Signal</b>	Ref.	—
	2920001	Headlight	2	
	2920113	Light, Turn Signal (Front)	2	
	2920064	Light, Stop/Tail/Turn/Back-Up (LH)	1	
	2920065	Light, Stop/Tail/Turn/Back-Up (RH)	1	
	4360089	Flasher	1	
	4360135	Switch, Turn Signal	1	
	4360199	Switch, Toggle - Lights On/Off	1	
	3740080	Relay	1	
	4360287	Fuse - 15 Amp	1	
	0610104	Card, Circuit	1	
	3990010	Diode - 6 Amp	5	
	3740049	Relay, Bosch	1	
	4931269	<b>Oil Cooler Wiring Diagram</b>	Ref.	2
	2400005	Fuse - 20 Amp (Prior to S/N 32301)	1	
	4921424	Harness (S/N 32301 to Present)	1	
	4460374	Plug, Relay (S/N 32301 to Present)	1	
		<b>Platform Wiring Diagrams</b>	Ref.	
		<b>Racine Valve Machines:</b>		
	4931334	<b>Wiring Diagram - Solenoid Throttle and Without Prop Tele (Prior to August 1985)</b>	Ref.	E
	4931422	<b>Wiring Diagram - Adeco Throttle and Without Prop Tele (August 1985 to Mid 1987)</b>	Ref.	B
	4931395/4931392	<b>Wiring Diagram - Solenoid Throttle and With Prop Tele (Prior to August 1985)</b>	Ref.	

# SECTION 7 ELECTRICAL

FIG & ITEM #	PART NUMBER	DESCRIPTION	QTY.	REV.
	4931424	<b>Wiring Diagram - Adeco Throttle and With Prop Tele (August 1985 to Mid 1987)</b>	Ref.	A
	4360209	Breaker, Circuit - 20 Amp	1	
	1540002	Capacitor - 1000mf/25VDC	1	
	3990010	Diode - 6 Amp	A/R	
		<b>Vickers Valve Machines With Standard PQ Controllers and Without Prop Tele:</b>		
	4931625	<b>Wiring Diagram (Mid 1987 to September 1991)</b>	Ref.	5
	4932433/1281682*	<b>Wiring Diagram With Creep (September 1991 to Present)</b>	Ref.	2/B
	9983524	<b>Wiring Diagram With Steer in Drive Controller</b>	Ref.	—
	3990010	Diode - 6 Amp	A/R	
	1540002	Capacitor - 1000mf/25VDC	1	
		Cable, Electrical - 12/4 (To Footswitch) Options:	9 ft.	
	1060012	Production		
	1060515	Post Production		
		<b>Vickers Valve Machines With Standard PQ Controllers and With Prop Tele:</b>	Ref.	
	4931672	<b>Wiring Diagram (Mid 1987 to September 1991)</b>	Ref.	B
	4932435/1281682*	<b>Wiring Diagram - With Creep (September 1991 to Present)</b>	Ref.	2/B
	3990010	Diode - 6 Amp	A/R	
	1540002	Capacitor - 1000mf/25VDC	1	
		Cable, Electrical - 12/4 (To Footswitch) Options:	9 ft.	
	1060012	Production		
	1060515	Post Production		
		<b>Vickers Valve Machines With Hydraulic PQ Controllers:</b>	Ref.	
	4931842/1280994*	<b>Wiring Diagram</b>	Ref.	4/D
		Cable, Electrical - 12/4 (To Footswitch) Options:	7 ft.	
	1060012	Production		
	1060515	Post Production		
	4921132	Harness, Capacitor	1	
		<b>Vickers Valve Machines With OEM Controllers:</b>		
	4931665/1280803	<b>Wiring Diagram - Without Prop Tele</b>	Ref.	B/-
	4931666/1280804	<b>Wiring Diagram - With Prop Tele</b>	Ref.	-/-
	4360216	Breaker, Circuit - 30 Amp	1	
	1060012	Cable, Electrical - 12/4	7 ft.	
	4920630	Harness, Capacitor	1	
		<b>Platform Bumper Wiring Diagram</b>	Ref.	
	1282197	<b>Wiring Diagram - Chain Mounted (Soft-Touch) Bumper</b>	Ref.	H
	4932059	<b>Wiring Diagram - Welded on Bumper</b>	Ref.	A
		<b>Platform Work Lights Wiring Diagram</b>	Ref.	
	2900068	<b>Wiring Diagram (Prior to November 1992)</b>	Ref.	F
	2920013	Worklight	2	
	0253987	<b>Wiring Diagram (November 1992 to Present)</b>	Ref.	4
	0254748	<b>Wiring Diagram With Padded Platform</b>	Ref.	2

# SECTION 7 ELECTRICAL

FIG & ITEM #	PART NUMBER	DESCRIPTION	QTY.	REV.
	2920111	Worklight	2	
	4931912	<b>Power Tool Wiring Diagram</b>	Ref.	A
	4931669	<b>Proportional Telescope Wiring Diagram (March 1987 to June 1994)</b>	Ref.	A
	4932736	<b>Proportional Telescope Wiring Diagram (June 1994 to Present)</b>	Ref.	—
		<b>Standard Wiring Diagrams (Bertea Valve Machines)</b>	Ref.	
	4931368	<b>Wiring Diagram - Without Steering Wheel</b>	Ref.	
	4931369	<b>Wiring Diagram - With Steering Wheel</b>	Ref.	
		<b>Standard Wiring Diagrams (Racine Valve Machines)</b>	Ref.	
		<b>Wiring Diagram (Prior to November 1985)</b>	Ref.	
	4931339	<b>Engine Wiring Diagram - Deutz F2L511 Without Glow Plugs (Prior to November 1985)</b>	Ref.	B
	4920429	Harness, Engine	1	
	4920426	Harness, Hourmeter Ground	1	
	4931338	<b>Engine Wiring Diagram - Deutz F2L511 With Glow Plugs (Prior to November 1985)</b>	Ref.	A
	4920428	Harness, Engine	1	
	4920426	Harness, Hourmeter Ground	1	
	4360114	Switch, Toggle - Glow Plugs	1	
	4931348	<b>Engine Wiring Diagram - Deutz F3L912 (Prior to November 1985)</b>	Ref.	B
	4920432	Harness, Engine	1	
	4920426	Harness, Hourmeter Ground	1	
	4931346	<b>Engine Wiring Diagram - Ford (Prior to June 1985)</b>	Ref.	E
	4920425	Harness, Engine		
	4931434/1280529	<b>Engine Wiring Diagram - Ford (June 1985 to November 1985)</b>	Ref.	-/B
	4920529	Harness, Engine	1	
	4931286	<b>Ground Control Box Wiring Diagram (Prior to October 1984) (See Ground Control Box for Harnesses)</b>	Ref.	A
	4931365	<b>Ground Control Box Wiring Diagram (October 1984 to August 1985) (See Ground Control Box for Harness)</b>	Ref.	C
	4931458	<b>Ground Control Box Wiring Diagram (August 1985 to November 1985) (See Ground Control Box for Harnesses)</b>	Ref.	B
	4931342	<b>Valve Wiring Diagram Without Steering Wheel</b>	Ref.	C
	4931343	<b>Valve Wiring Diagram With Steering Wheel (Deutz and Wisconsin)</b>	Ref.	B
	4931344	<b>Valve Wiring Diagram With Steering Wheel (Ford)</b>	Ref.	B
		<b>Wiring Diagrams (November 1985 to June 1987)</b>	Ref.	
		<b>Wiring Diagram - Deutz F2L511</b>	Ref.	
	4931431/1280581	<b>Engine Wiring Diagram Without Glow Plugs</b>	Ref.	-/B