



**Discount
Equipment**

www.discount-equipment.com

Filter	9870045800,PUN 000001 - 270000 9870045800,PN2 265001 -
Identity	9870045800
Specifications	Product number: 1807800010, Product number: 1807800020, Product number: 1807016034, Division: Portable Air, Product group: Hydraulic handheld, Product type: Hydraulic powerpacks , Product: PAC P18+, Product Company: Chakan

PARTS FINDER

**Search Website
by Part Number**



**Search Manual
Library For Parts
Manual & Lookup Part
Numbers – Purchase
or Request Quote**

Search Manuals

Enter your information to help us find the right parts manual for your machine.

* Brand:

* Model:

* Serial:

* Part Number:

SEARCH

**Can't Find Part or
Manual? Request Help
by Manufacturer,
Model & Description**

Parts Order Form

Please fill in the following information to help us find the right part for your machine.

MANUFACTURER:

MODEL:

DESCRIPTION:

DATE:

TIME:

PHONE:

EMAIL:

ADDRESS:

CITY:

STATE:

ZIP:

SEARCH

Discount-Equipment.com is your online resource for quality parts & equipment.

Florida: **561-964-4949** Outside Florida TOLL FREE: **877-690-3101**

Need parts?

Click on this link: <http://www.discount-equipment.com/category/5443-parts/> and choose one of the options to help get the right parts and equipment you are looking for. Please have the machine model and serial number available in order to help us get you the correct parts. If you don't find the part on the website or on one of the online manuals, please fill out the request form and one of our experienced staff members will get back to you with a quote for the right part that your machine needs.

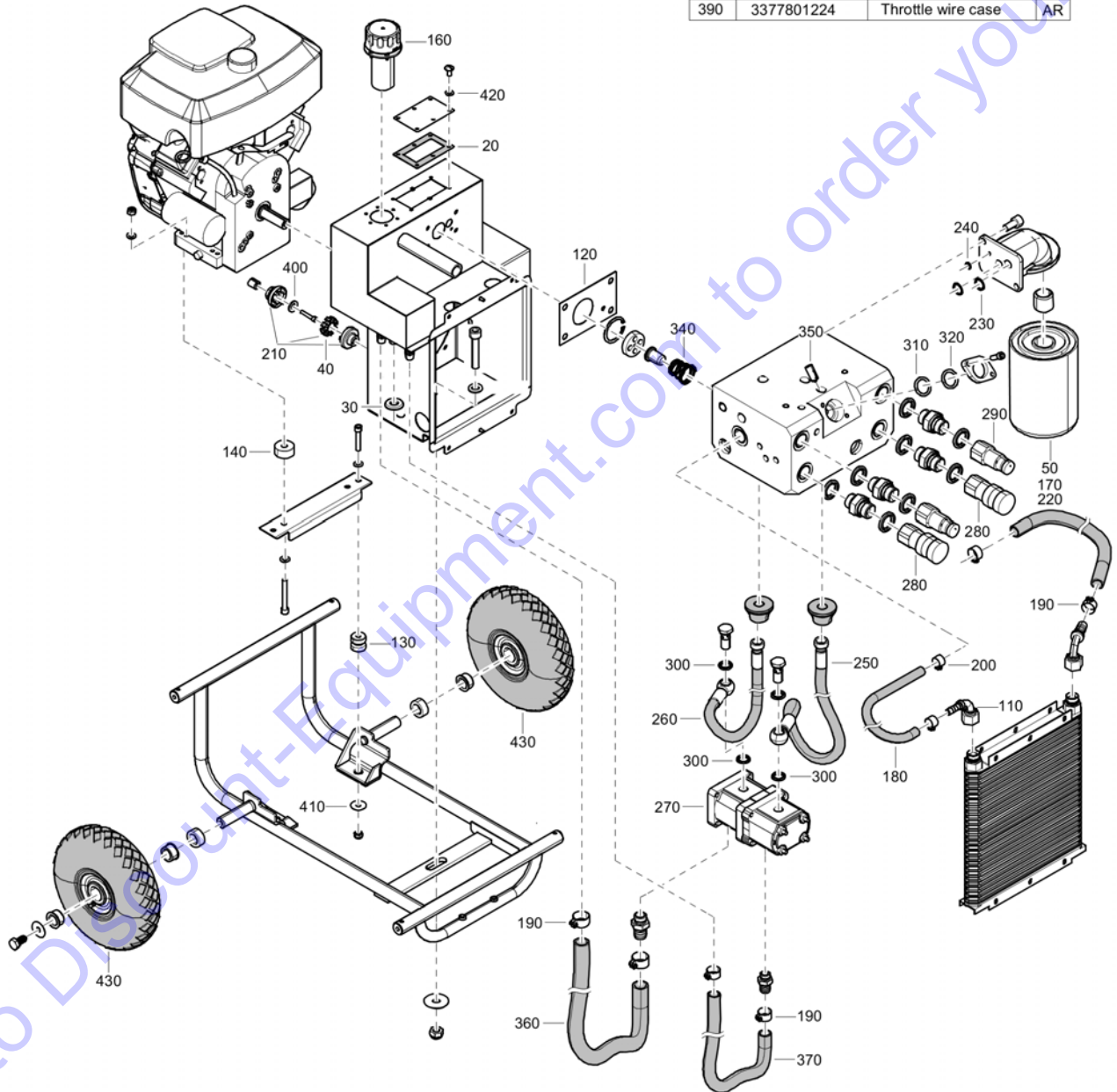
We sell worldwide for the brands: Genie, Terex, JLG, MultiQuip, Mikasa, Essick, Whiteman, Mayco, Toro Stone, Diamond Products, Generac Magnum, Airman, Haulotte, Barreto, Power Blanket, Nifty Lift, Atlas Copco, Chicago Pneumatic, Allmand, Miller Curber, Skyjack, Lull, Skytrak, Tsurumi, Husquvarna Target, Stow, Wacker, Sakai, Mi-T-M, Sullair, Basic, Dynapac, MBW, Weber, Bartell, Bennar Newman, Haulotte, Ditch Runner, Menegotti, Morrison, Contec, Buddy, Crown, Edco, Wyco, Bomag, Laymor, EZ Trench, Bil-Jax, F.S. Curtis, Gehl Pavers, Heli, Honda, ICS/PowerGrit, IHI, Partner, Imer, Clipper, MMD, Koshin, Rice, CH&E, General Equipment, Amida, Coleman, NAC, Gradall, Square Shooter, Kent, Stanley, Tamco, Toku, Hatz, Kohler, Robin, Wisconsin, Northrock, Oztec, Toker TK, Rol-Air, APT, Wylie, Ingersoll Rand / Doosan, Innovatech, Con X, Ammann, Mecalac, Makinex, Smith Surface Prep, Small Line, Wanco, Yanmar

Recommended Spare Parts list	APP
Edge trim kit	Edgetrimkit
Service Kit	310102582_ServiceKit-PAC18M
Decal kit PAC P18+	APP
Power pack bio-oil	Powerpackoil
Frame and cowl	APP
Tank and chassi	APP
Engine and pump	APP
Valve block	APP
Hoses and fittings	APP
Front panel assembly	APP
Battery and exhaust muffler	APP
Hydraulic hoses	Hydraulichoses
Hydraulic twin hoses	Hydraulictwinhoses_CP
Whip Check	Whipchec_AC

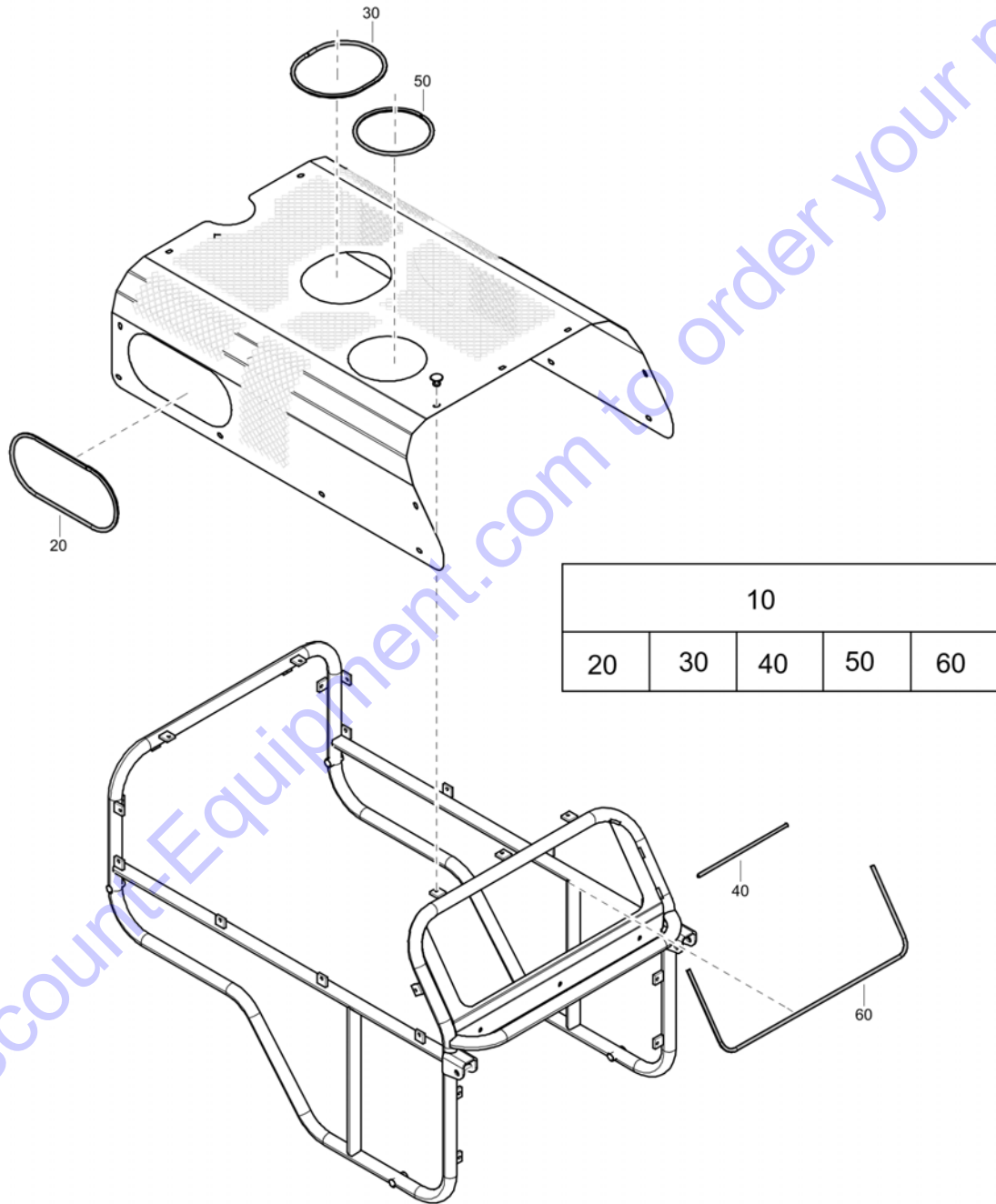
Go to Discount-Equipment.com to order your parts

10								
20	30	40	50	60	70	80	90	100

Not Avl. in PDM			
Ref	Part Number	Designation	Qty
60	3310102573	Spark plug	1
70	3310102552	Air filter cartridge	1
80	3310102574	Air filter (pre-cleaner)	1
90	3310102553	Oil filter	1
100	3310102575	Fuel filter	1
150	3377801261	Engine key switch wire	1
330	3310113000	Spring	1
380	3377801225	Throttle wire	AR
390	3377801224	Throttle wire case	AR



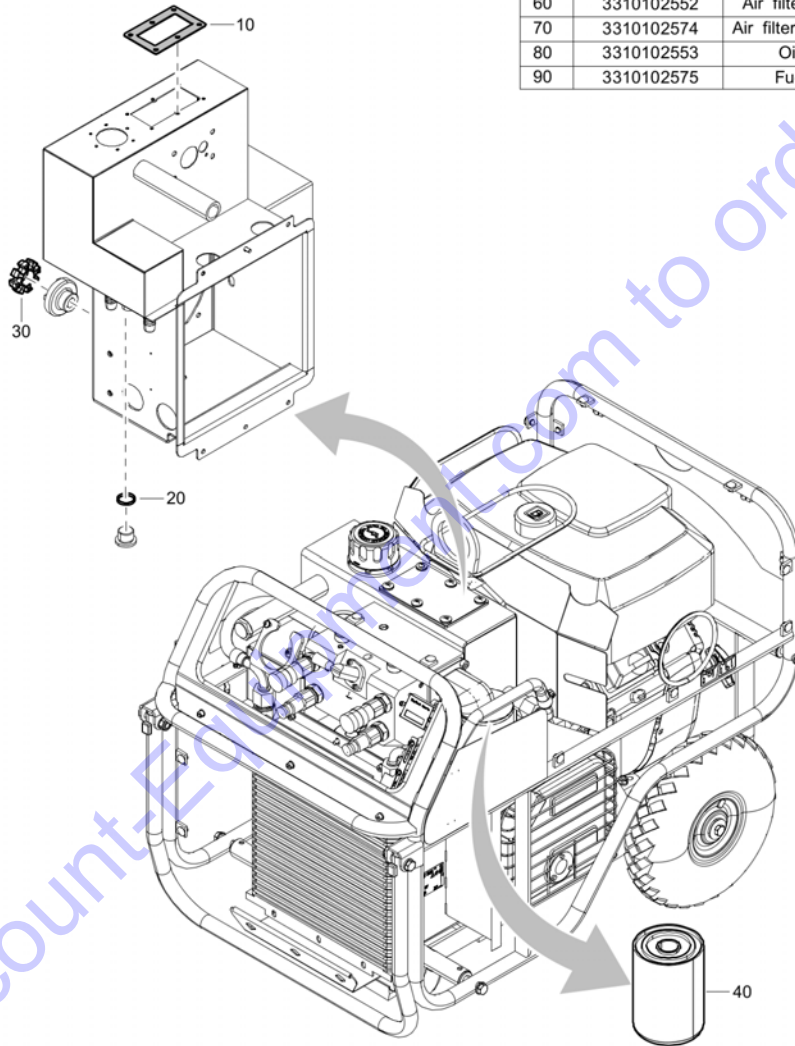
Id	Qty	Number	Name	Specifications
10	1	3310102582	SERVICE KIT - PAC 18 MULTIFLOW	
20	1	3377801320	SEAL	
30	1	0661100040	SEALING WASHER 17.28X23.8	
40	1	3310102556	Spider	
50	1	3377021787	OIL FILTER 25 MIKRON	
60	2	3310102573	spark plug	
70	1	3310102552	AIR FILTER CARTRIDGE	
80	1	3310102574	AIR FILTER (PRE-CLEANER)	
90	1	3310102553	OIL FILTER	
100	1	3310102575	Fuel filter	
-			Recommended Parts list	
110	1	3377000462	Hose fitting	
120	1	3377801002	DCV SEAL	
130	2	3377021784	ELASTOMER MOUNT	
140	1	3377021221	SPACER	
150	1	3377801261	EXTENSION WIRE	
160	1	3377021822	Fill in cap	
170	1	3377005075	FILTER 25 MIKRON	
180	1	3377800996	HOSE	
190	6	3377000791	HOSE CLIP 26/15	
200	1	3377000789	HOSE CLIP 19/12	
210	1	3377801296	KTR COUPLING	
220	1	3377005075	FILTER 25 MIKRON	
230	2	3377801183	O-RING	
240	1	0663210231	O-RING 6 X 2	
250	1	3377801019	HOSE ASSEMBLY	
260	1	3377801018	PRESSURE HOSE	
270	1	3377000777	PUMP 7.0/7.0 CC	
280	2	3371805133	Q.R. coupling 08 female	
290	1	3371805134	Q.R. coupling 08 male	
300	4	0661100039	SEALING WASHER 21.54X28.58	
310	1	3377801266	SPOOL O RING	
320	1	3377801265	SPOOL O RING	
330	1	3310113000	SPRING	
340	1	3377004744	SPRING BY-PASS	
350	1	3377801059	SPRING PLUNGER	
360	1	3377800980	SUCTION HOSE	
370	1	3377800982	SUCTION HOSE	
380		3377801225	THROTTLE WIRE	
390		3377801224	THROTTLE WIRE CASE	
400	1	3377021238	Washer	
410	1	3377104010	WASHER 3/8X35	
420	8	0300012913	WASHER 6	
430	2	3377000715	Wheel air rubber	



Id	Qty	Number	Name	Specifications
20	1		Edge trim 660mm	
30	1		Edge trim 440mm	
40	1		Edge trim	
50	1		Edge trim	
60	1		Edge trim	

Go to Discount-Equipment.com to order your parts

Not Illustrated			
Ref	Part Number	Designation	Qty
50	3310102573	Spark plug	2
60	3310102552	Air filter cartridge	1
70	3310102574	Air filter pre-cleaner	1
80	3310102553	Oil filter	1
90	3310102575	Fuel filter	1

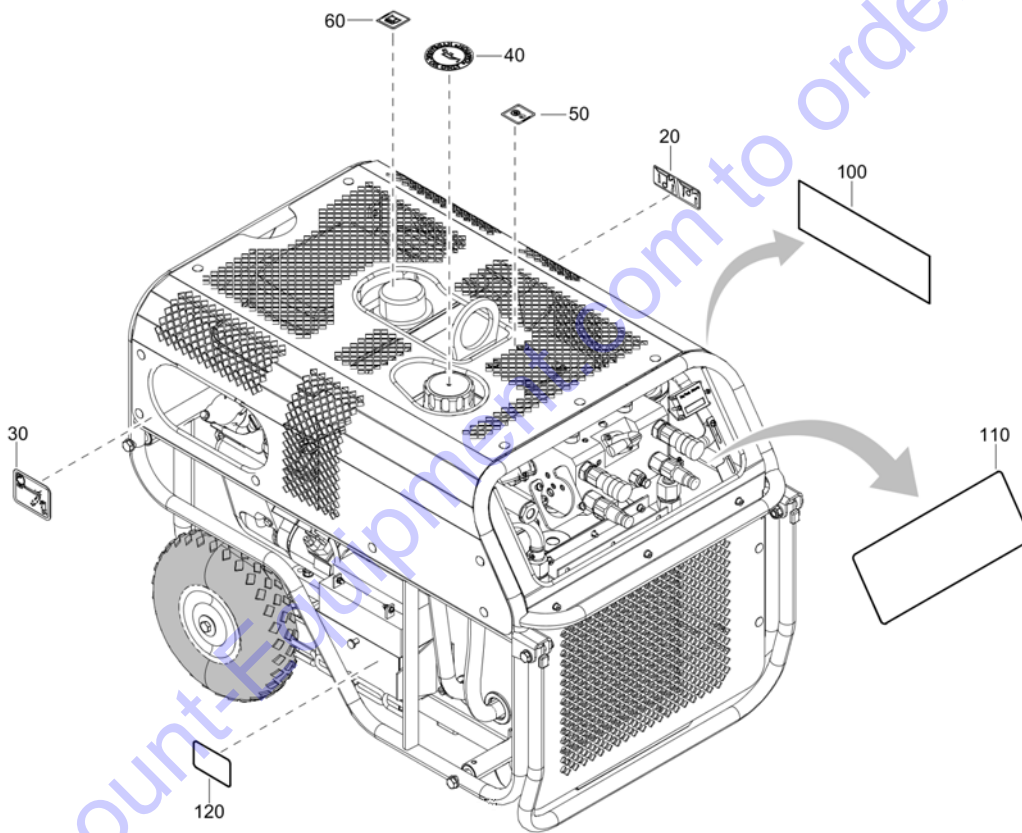


Go to Discount-Tools.com to order your parts

Id	Qty	Number	Name	Specifications
10	1	3377801320	SEAL	
20	1	0661100040	SEALING WASHER 17.28X23.8	
30	1	3310102556	Spider	
40	1	3377021787	OIL FILTER 25 MIKRON	
50	2	3310102573	spark plug	
60	1	3310102552	AIR FILTER CARTRIDGE	
70	1	3310102574	AIR FILTER (PRE-CLEANER)	
80	1	3310102553	OIL FILTER	
90	1	3310102575	Fuel filter	

Go to Discount-Equipment.com to order your parts

Not Illustrated			
Ref	Part Number	Designation	Qty
70	3377801258	High temperature sticker	1
80	3377801259	Tyre pressure label	1
90	3377801260	Drain point label	1



											10
20	30	40	50	60	70	80	90	100	110	120	

Id	Qty	Number	Name	Specifications
20	1		Choke label	
30	1		Label on/off gas	
40	1		Decal, hydraulic oil only	
50	1		Lift point decal	
60	1		Fuel decal	
70	1		High temperature sticker	
80	1		Tyre pressure label	
90	1		Drain point label	
100	1		Lst stickers	
110	1		Lst stickers	
120	1		Lst stickers	

Go to Discount-Equipment.com to order your parts

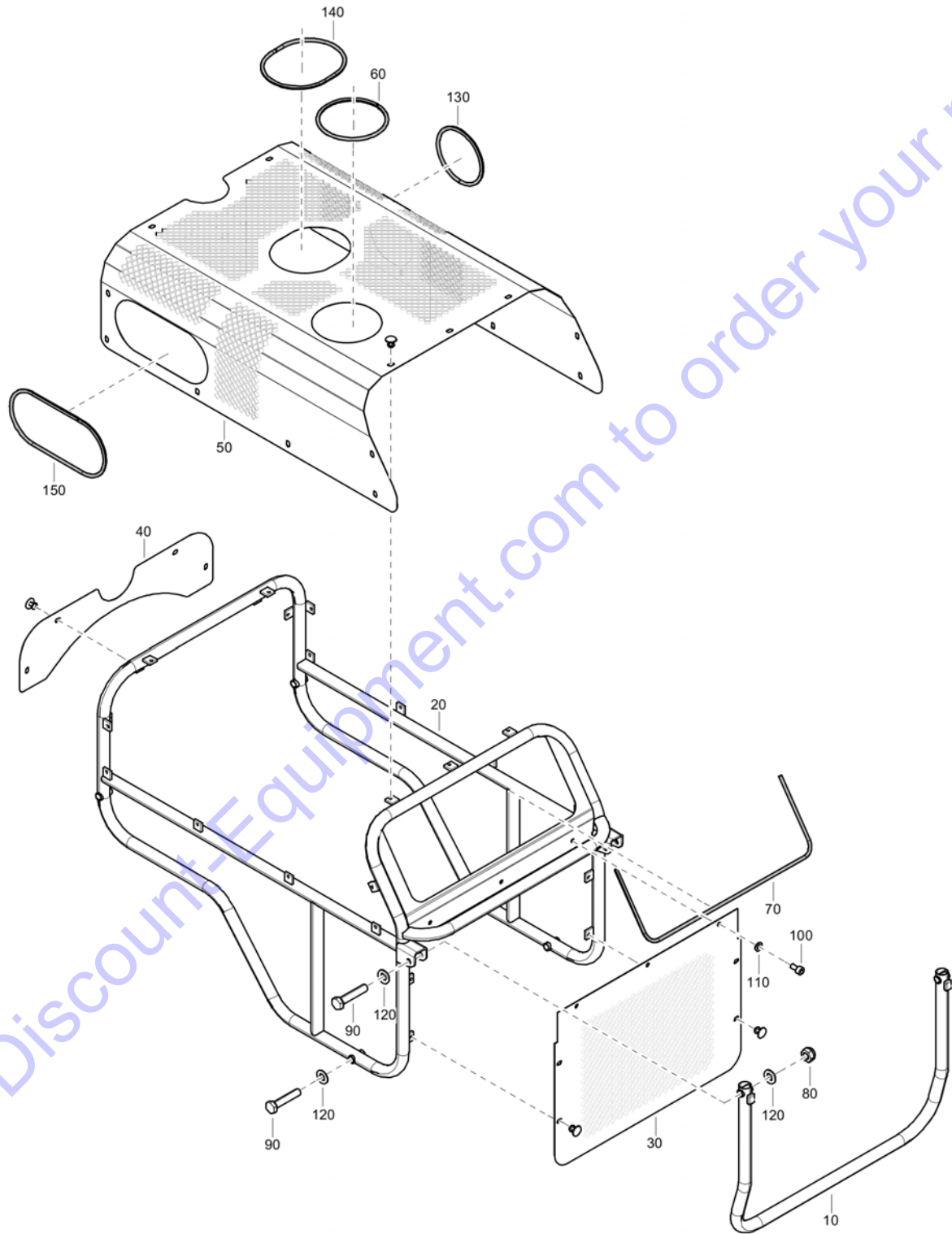
Description	Part number
4 litres	1 3382 0700 86



For tech. details check next page

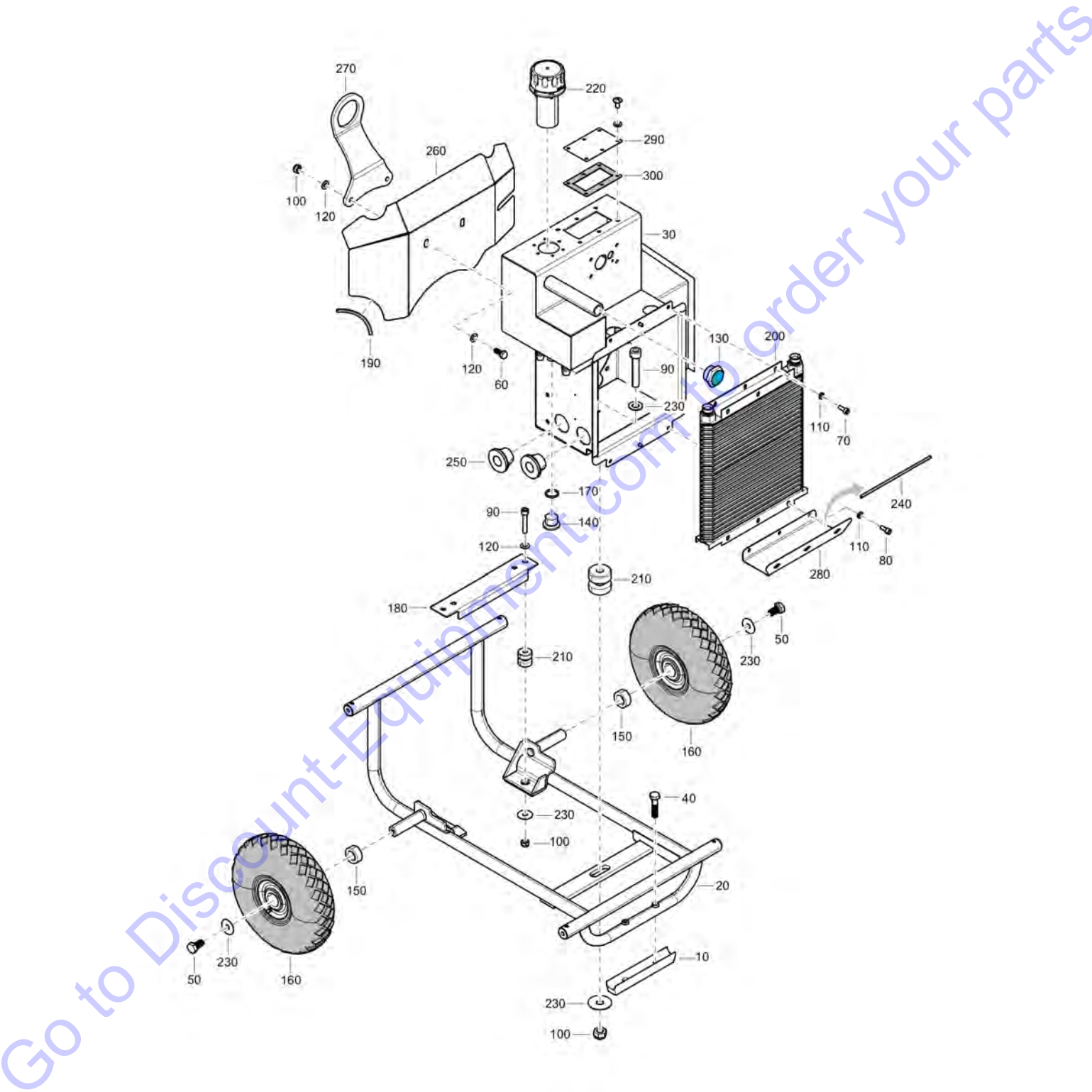
Id	Qty	Number	Name	Specifications
1	1	3382070086	POWER PACK BIO-OIL - 5L	

Go to Discount-Equipment.com to order your parts

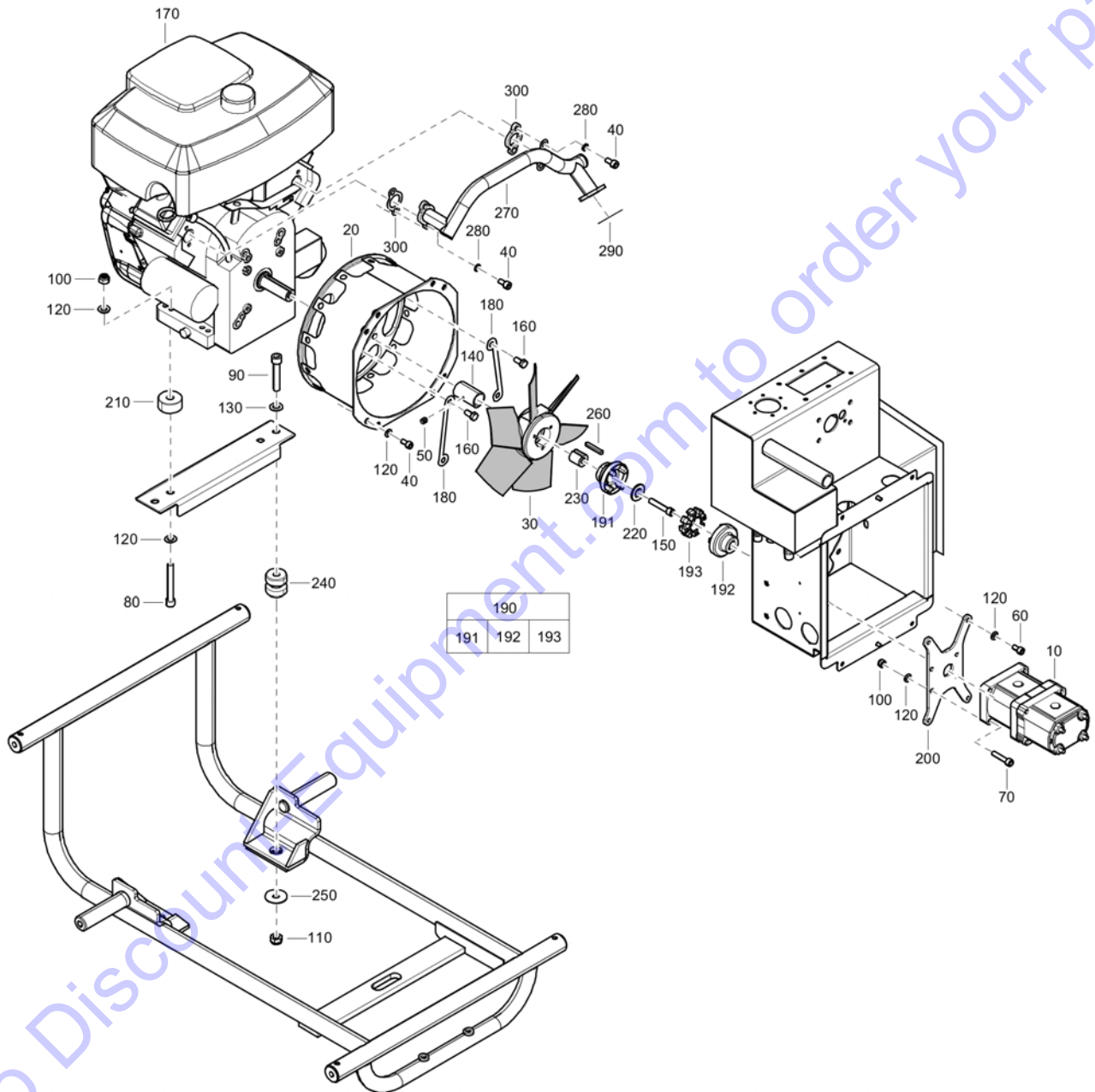


Id	Qty	Number	Name	Specifications
10	1	3377801240	Handle	
20	1	3377801238	FRAME	
30	1	3377801242	WELDED SHIELD	
40	1	3377801241	SHIELD	
50	1	3377801247	Cover	
60	1		Edge trim	
70	1		Edge trim	
80	2	0291111000	LOCK NUT	
90	4	0147136703	HEX. BOLT	
100	3	0211124403	Hex sock. Screw	
110	3	0301232700	WASHER-FLAT:M 6.70/16.0X1.5T,N	
120	8	0301234400	FLAT WASHER 10.5X21X2.0	
130	1	3377021337	Edge trim	
140	1		Edge trim 440mm	
150	1		Edge trim 660mm	

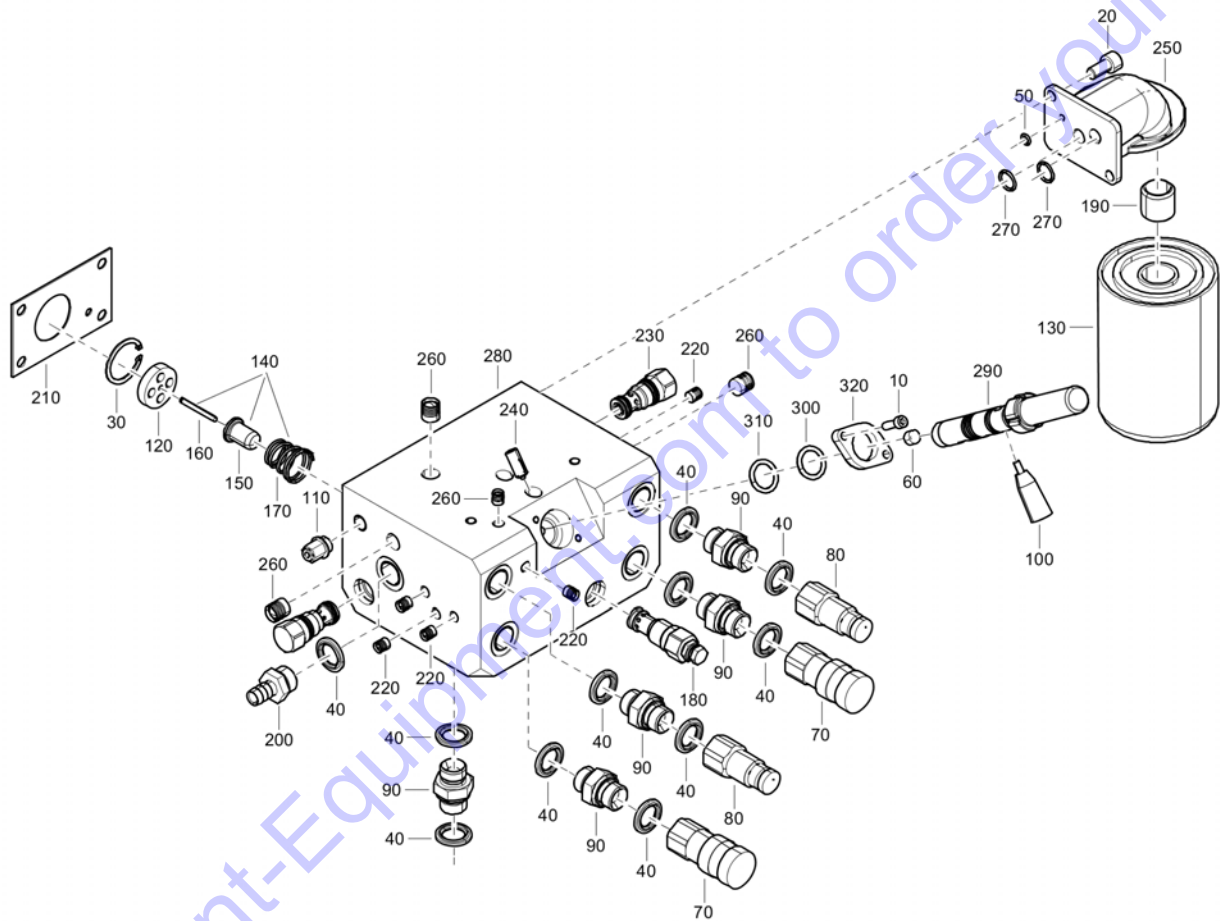
Go to Discount-Equipment.com to order your parts



Id	Qty	Number	Name	Specifications
10	1	3377500122	supporting root	
20	1	3377801239	Chassis	
30	1	3377801237	TANK/PUMP HOUSING	
40	2	0147132703	SCREW:M 8X 35;HEX HD,ZN PLT,\$S	
50	2	0147136003	PARAF M10X20 DIN933 8.8 FZB	
60	2	0147136303	PARAF M10X30 DIN933 8.8 FZB	
70	2	0211124403	Hex sock. Screw	
80	2	0211124603	PARAF M6X16 DIN912 8.8 FZB	
90	3	0211136803	Hex sock. Screw	
100	5	0291111100	LOCKNUT:M 10 ZN PLT,\$STL W/NYL	
110	4	0301232700	WASHER-FLAT:M 6.70/16.0X1.5T,N	
120	6	0301234400	FLAT WASHER 10.5X21X2.0	
130	1	0872211502	GAUGE LEVEL	
140	1	0686371626	PLUG	
150	2	3377000218	WASHER 25/40X16	
160	2	3377000715	Wheel air rubber	
170	1	0661100040	SEALING WASHER 17.28X23.8	
180	1	3377021220	Plate mount	
190	1		Edge trim L=115mm	
200	1	3377021732	OIL COOLER	
210	3	3377021784	ELASTOMER MOUNT	
220	1	3377021822	Fill in cap	
230	6	3377104010	WASHER 3/8X35	
240	1		Edge trim	
250	2	3377800979	HOSE MOUNT	
260	1	3377801004	PLATE	
270	1	3377801009	LIFTING EYE	
280	1	3377801244	Cooler guard	
290	1	3377801000	TOP PLATE	
300	1	3377801320	SEAL	

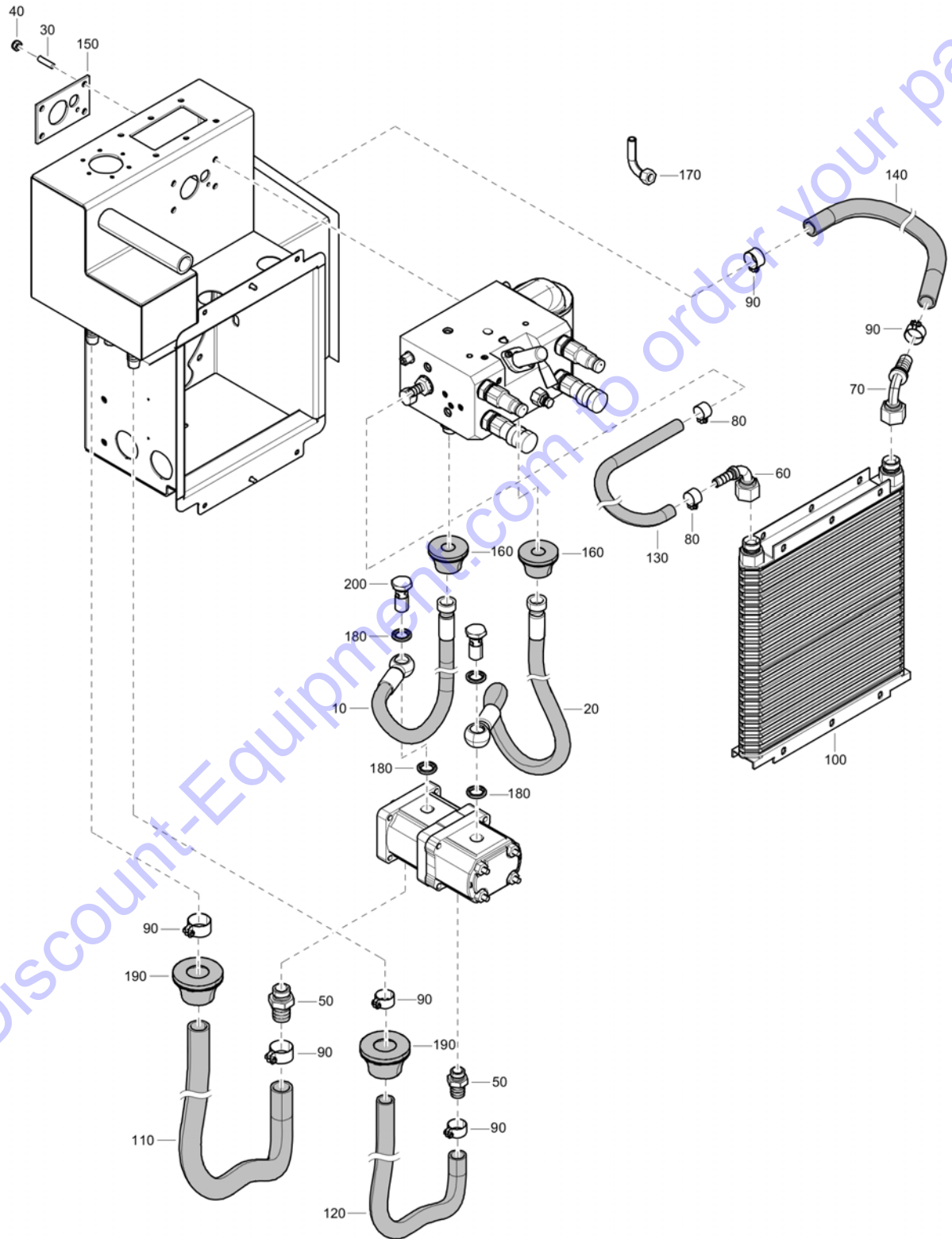


Id	Qty	Number	Name	Specifications
10	1	3377000777	PUMP 7.0/7.0 CC	
20	1	3377021206	Fan housing	
30	1	3377021287	FAN	
40	8	0211132203	Hex sock. Screw	
50	1	0196116600	Set screw	
60	4	0211132303	SCREW	
70	4	0211110219	Screw	
80	2	0211133203	Hex sock. Screw	
90	2	0211136803	Hex sock. Screw	
100	14	0291111000	LOCK NUT	
110	2	0291111100	LOCKNUT:M 10 ZN PLT,\$STL W/NYL	
120	24	0301233500	PLAIN WASHER	
130	1	0301234400	FLAT WASHER 10.5X21X2.0	
140	1	3377000464	distance bushing	
150	1	3377000466	SCREW UNF3/8X51	
160	4	3377000538	HEXAGON HEAD BOLT	
170	1	3377000542	ENGINE B S VANGUARD	
180	2	3377000792	NAB	
190	1	3377801296	KTR COUPLING	
191	1	3310102554	Engine half Coupling	
192	1	3310102555	Pump half coupling	
193	1	3310102556	Spider	
200	1	3377021207	Pump plate	
210	2	3377021221	SPACER	
220	1	3377021238	Washer	
230	1	3377021292	engine shaft extension	
240	1	3377021784	ELASTOMER MOUNT	
250	2	3377104010	WASHER 3/8X35	
260	1	3377801213	KEY	
270	1	3377021315	EXHAUST MANIFOLD	
280	4	0333217449	SPRING WASHER	
290	1		Gasket , Engine part	
300	2		Gasket , Engine part	



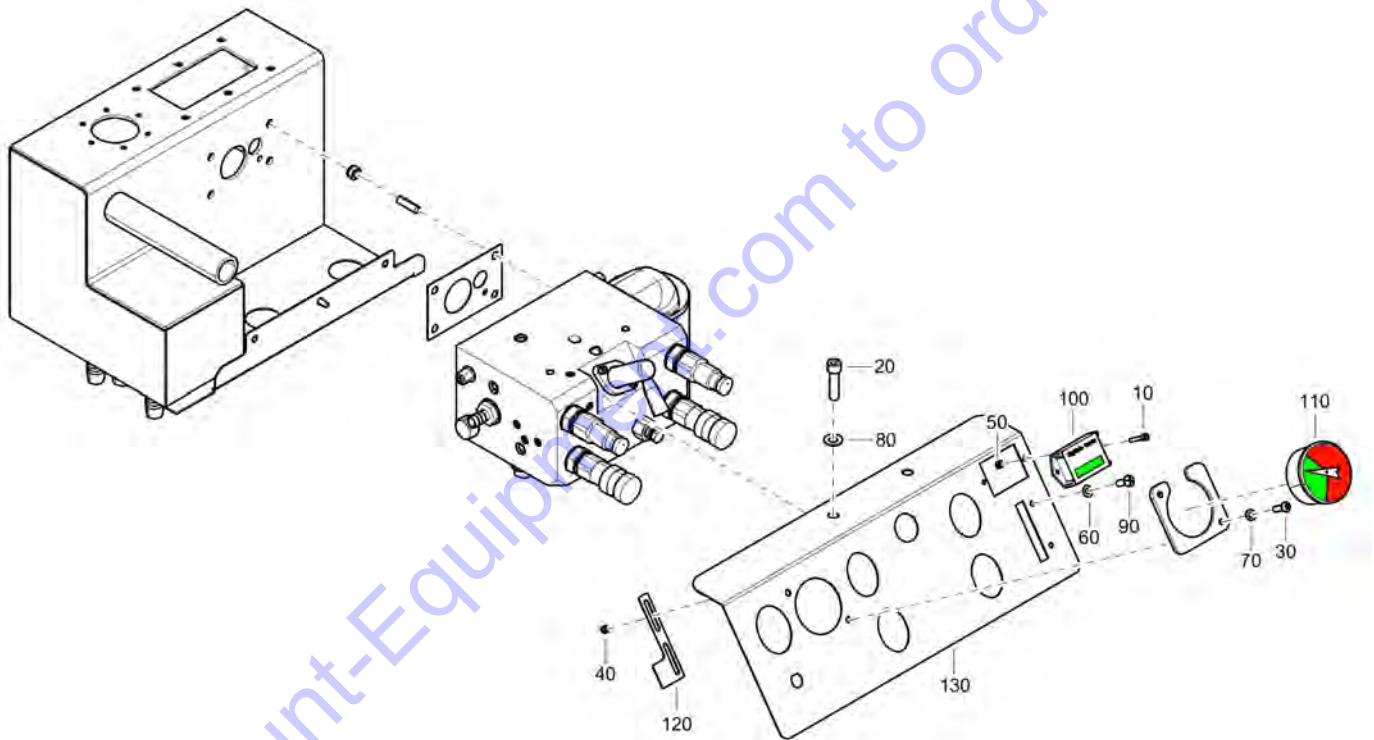
Go to Discount-Equipment.com to order your parts

Id	Qty	Number	Name	Specifications
-	1	3310102680	Valve block assembly	
10	2	0211120703	HEX SOCK. SCREW	
20	2	0211132203	Hex sock. Screw	
30	1	0335213700	CIRCLIP	
40	13	0661100039	SEALING WASHER 21.54X28.58	
50	1	0663210231	O-RING 6 X 2	
60	1	0686612800	PLUG	
70	2	3371805133	Q.R. coupling 08 female	
80	2	3371805134	Q.R. coupling 08 male	
90	6	3371805711	Nipple	
100	1	3377000459	Handle f/valve block	
110	1	3377000482	Fitting 04	
120	1	3377004084	thermostat end cap	
130	1	3377005075	FILTER 25 MIKRON	
140	1	3377005082	THERMOSTAT COMPLETE	
150	1	3377801125	Thermostat float	
160	1	3377801126	Termostat axe	
170	1	3377801127	Thermostat spring	
180	1	3377005172	PRESSURE RELIEF VALVE	
190	1	3377005263	filter adaptor	
200	1	3377500742	Fitting	
210	1	3377801002	DCV SEAL	
220	14	3377801014	BALL PLUG	
230	2	3377801015	CHECK VALVE	
240	1	3377801059	SPRING PLUNGER	
250	1	3377801178	FLANGE	
260	9	3377801181	BALL PLUG	
270	2	3377801183	O-RING	
280	1	3377801263	VALVE BLOCK	
290	1	3377801264	SPOOL	
300	1	3377801265	SPOOL O RING	
310	1	3377801266	SPOOL O RING	
320	1	3377801267	GUIDE PLATE	



Id	Qty	Number	Name	Specifications
10	1	3377801018	PRESSURE HOSE	
20	1	3377801019	HOSE ASSEMBLY	
30	4	0196132600	SET SCREW	
40	4	0291111000	LOCK NUT	
50	2	3377000461	FITTING 12-08 KRG	
60	1	3377000462	Hose fitting	
70	1	3377000463	HOSE FITTING	
80	2	3377000789	HOSE CLIP 19/12	
90	6	3377000791	HOSE CLIP 26/15	
100	1	3377021732	OIL COOLER	
110	1	3377800980	SUCTION HOSE	
120	1	3377800982	SUCTION HOSE	
130	1	3377800996	HOSE	
140	1	3377800998	Coolant hose return	
150	1	3377801017	PLATE	
160	2	3377801025	HOSE MOUNT	
170	2	3377801257	100 DEGREE BEND ELBOW	
180	4	0661100039	SEALING WASHER 21.54X28.58	
190	2	3377800979	HOSE MOUNT	
200	2	0627510005	G1/2" HOLLOW SCREW	

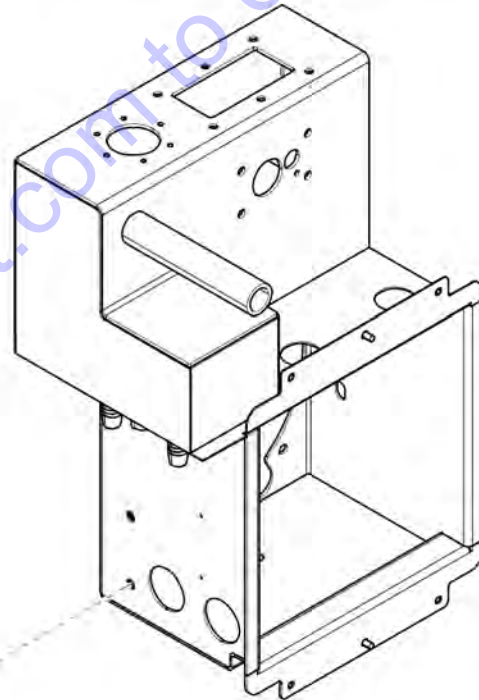
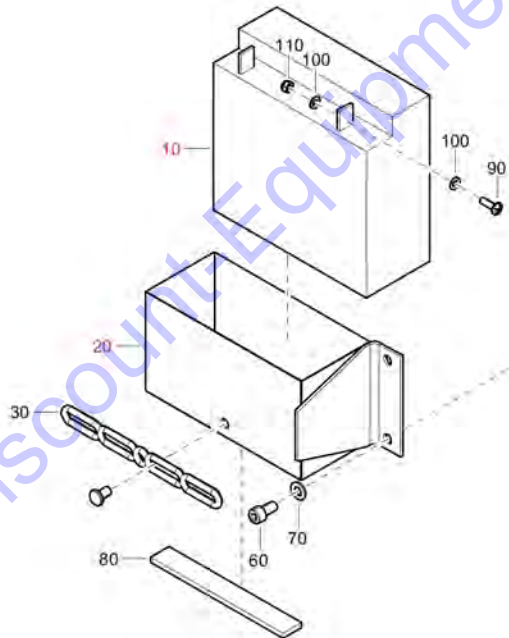
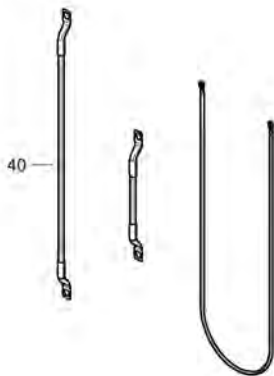
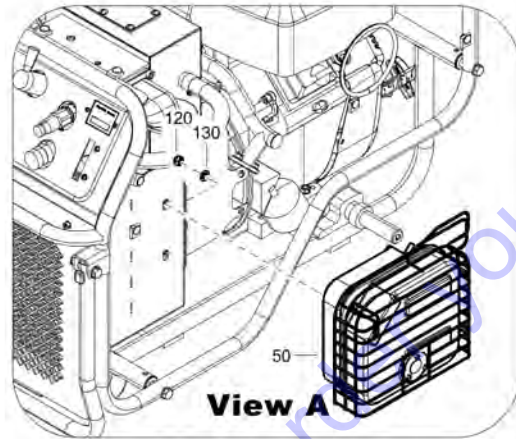
Go to Discount-Equipment.com to order your parts



Id	Qty	Number	Name	Specifications
10	2	0211110234	Hex sock. Screw	
20	2	0211132603	PARAF.ALLEN M8X30 8.8 FZB	
30	2	0215001073	HEX SOCK. SCREW M6 X 20	
40	2	0291110700	LOCKNUT:M 5 ZN PLT,\$STL W/NYL	
50	2	0291112813	LOCKING NUT	
60	2	0301231800	PLAIN WASHER	
70	2	0301232700	WASHER-FLAT:M 6.70/16.0X1.5T,N	
80	2	0301233500	PLAIN WASHER	
90	2	3377000401	SCREW M5X16	
100	1	3377000717	Hour metre	
110	1	3377005067	Filter gauge complete	
120	1	3377021472	DETENT	
130	1	3377801243	FRONT PANEL	

Go to Discount-Equipment.com to order your parts

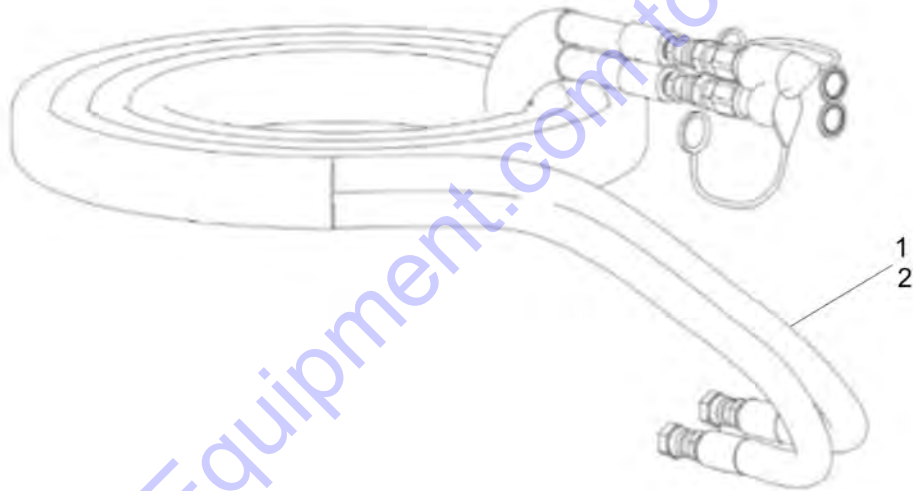
Not Avl. in PDM			
Ref	Part Number	Designation	Qty
140	3377801224	Throttle wire case	AR
150	3377801225	Throttle wire	AR
160	3377801261	Engine key switch wire	1
170	3310113000	Compression spring	1



Id	Qty	Number	Name	Specifications
10	1	3377000511	Battery 12V 17AH	
20	1	3377800676	Battery holder	
30	1	3377000553	RUBBER BELT	
40	1	3377021816	CABLE COMPLETE	
50	1	3377021810	MUFFLER	
60	2	0211132203	Hex sock. Screw	
70	2	0301233500	PLAIN WASHER	
80	1	3377800882	INSULATING MAT 25X6 L=180	
90	2	3377000401	SCREW M5X16	
100	4	0301231800	PLAIN WASHER	
110	2	0291110700	LOCKNUT:M 5 ZN PLT,\$STL W/NYL	
120	2	0291111000	LOCK NUT	
130	2	0301233500	PLAIN WASHER	
140		3377801224	THROTTLE WIRE CASE	
150		3377801225	THROTTLE WIRE	
160	1	3377801261	EXTENSION WIRE	
170	1	3310113000	SPRING	

Go to Discount-Equipment.com to order your parts

Description	Length		Diameter		Weight	Comments	Part number
	m	ft	mm	in	kg ¹⁾		
Hydraulic twin-extension hose	7.0	23	12.5	½	8.3	Incl. ½ inch Flat-Face quick-release couplings	1 3371 8010 87
	12.0	39	12.5	½	13.3	Incl. ½ inch Flat-Face quick-release couplings	13371 8010 89
	7.0	23	12.5	½	8.0	Incl. ½ inch BSP female connection for direct mounting	13371 8010 82
Double connection hoses	1.6	5	12.5	½	1.7	-	2 3371 8011 90

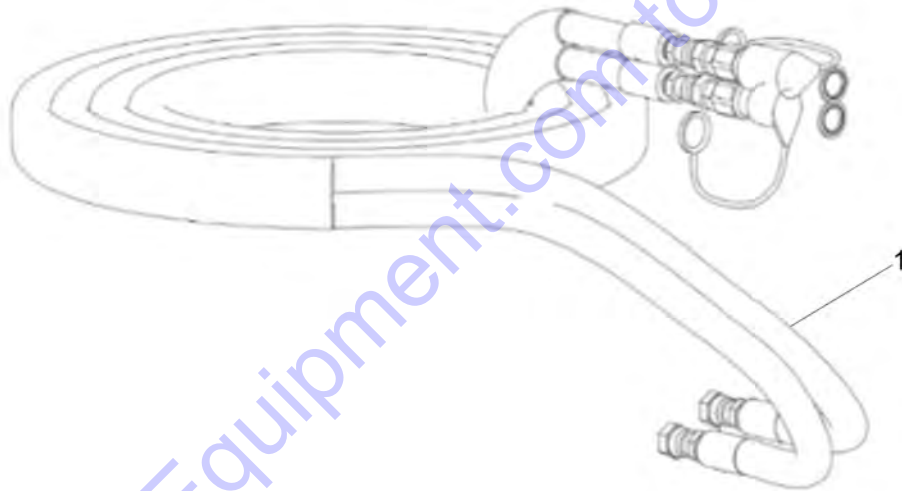


For tech. details check next page

Id	Qty	Number	Name	Specifications
1	1	3371801087	7 m Twin extension hose	
1	1	3371801089	12 m Twin extension hose	
1	1	3371801082	7 m Twin hose	
2	1	3371801190	1.6 M TAIL-HOSE SET	

Go to Discount-Equipment.com to order your parts

Description	Length	Diameter	Weight	Comments	Part number
	ft	in	lbs		
Hydraulic twin-extension hose	30	½	22	½" pressure and ¾" return hose with ½" flat-face quick release couplings	9246 0204 98
Hydraulic twin-extension hose	50	½	37		9246 0204 99
Hydraulic twin-extension hose	15	½ & ¾	12	½" pressure and ¾" return hose with ½" flat-face male and female quick release couplings connect to Chicago Pneumatic handheld hydraulic units and the ¾" male and female flat faced couplings connects to PTO	9246 0205 02
Hydraulic twin-extension hose	30	½ & ¾	24		9246 0205 03
Hydraulic twin-extension hose	50	½ & ¾	37		9246 0205 04



For tech. details check next page

Id	Qty	Number	Name	Specifications
1	1	9246020498	Hydraulic twin-extension hose	
1	1	9247020499	Hydraulic twin-extension hose	
1	1	9246020502	Hydraulic twin-extension hose	
1	1	9246020503	HYD HOSE ASSY 30'X1/2"X3	
1	1	9246020504	Hydraulic twin-extension hose	

Go to Discount-Equipment.com to order your parts



Go to Discount-Equipment.com to order your parts

Id	Qty	Number	Name	Specifications
1	1	3310101858	WHIP CHECK 1/2"-1.1/4",L=540mm	
1	1	3310101859	WHIP CHECK 1.1/2"-3",L=965mm	
1	1	3310101860	WHIP CHECK 3"-6",L=1150mm	
2	1	3310102546	WHIPCHECK PRO 1/2 - 4",L=500MM,BS=1000KG	

Go to Discount-Equipment.com to order your parts

