

Go to [Discount-Equipment.com](http://Discount-Equipment.com) to order your parts



[www.discount-equipment.com](http://www.discount-equipment.com)

---

Filter	1807800006,PUN 000001 -
Identity	1807800006
Specifications	Product number: 1807011042, Product number: 1807011028, Product number: 1807011029, Product number: 1807800006, Product number: 1807011025, Division: Portable Air, Product group: Hydraulic handheld, Product type: Hydraulic powerpacks , Product: PAC P13, Product Company: Chakan

# PARTS FINDER

**Search Website  
by Part Number**



**Search Manual  
Library For Parts  
Manual & Lookup Part  
Numbers – Purchase  
or Request Quote**

**Search Manuals**

Enter your information to help us find the right parts manual for your machine.

\* Brand:

\* Model:

\* Serial:

\* Part Number:

SEARCH

**Can't Find Part or  
Manual? Request Help  
by Manufacturer,  
Model & Description**

**Parts Order Form**

Please fill in the following information to help us find the right part for your machine.

Manufacturer:	<input type="text"/>
Model:	<input type="text"/>
Description:	<input type="text"/>
Part Number:	<input type="text"/>
Quantity:	<input type="text"/>
Notes:	<input type="text"/>

Submit

Discount-Equipment.com is your online resource for quality parts & equipment.

Florida: **561-964-4949** Outside Florida TOLL FREE: **877-690-3101**

**Need parts?**

Click on this link: <http://www.discount-equipment.com/category/5443-parts/> and choose one of the options to help get the right parts and equipment you are looking for. Please have the machine model and serial number available in order to help us get you the correct parts. If you don't find the part on the website or on one of the online manuals, please fill out the request form and one of our experienced staff members will get back to you with a quote for the right part that your machine needs.

We sell worldwide for the brands: Genie, Terex, JLG, MultiQuip, Mikasa, Essick, Whiteman, Mayco, Toro Stone, Diamond Products, Generac Magnum, Airman, Haulotte, Barreto, Power Blanket, Nifty Lift, Atlas Copco, Chicago Pneumatic, Allmand, Miller Curber, Skyjack, Lull, Skytrak, Tsurumi, Husquvarna Target, Stow, Wacker, Sakai, Mi-T-M, Sullair, Basic, Dynapac, MBW, Weber, Bartell, Bennar Newman, Haulotte, Ditch Runner, Menegotti, Morrison, Contec, Buddy, Crown, Edco, Wyco, Bomag, Laymor, EZ Trench, Bil-Jax, F.S. Curtis, Gehl Pavers, Heli, Honda, ICS/PowerGrit, IHI, Partner, Imer, Clipper, MMD, Koshin, Rice, CH&E, General Equipment, Amida, Coleman, NAC, Gradall, Square Shooter, Kent, Stanley, Tamco, Toku, Hatz, Kohler, Robin, Wisconsin, Northrock, Oztec, Toker TK, Rol-Air, APT, Wylie, Ingersoll Rand / Doosan, Innovatech, Con X, Ammann, Mecalac, Makinex, Smith Surface Prep, Small Line, Wanco, Yanmar

---

Power pack bio-oil	Powerpackoil
Service kit	
POD & valve block seal kit	
Label kit	
Lubricants	
Frame	
Tank and Chassis	
Engine and pump	
Cylinder	
Valve block	
Hose and Fitting	
Recoil starter	
Fan cover	
Carburetor	
Air cleaner	
Muffler	
Fuel tank	
Cylinder head	
Cylinder barrel	
Crankcase cover	
Hoses/couplings and test equipment LP 13-30 P	
Whip Check	Whipchec_AC
Hydraulic hoses	Hydraulichoses
Hydraulic twin hoses	Hydraulictwinhoses_CP

Go to Discount-Equipment.com to order your parts

Description	Part number
4 litres	1 3382 0700 86

Go to Discount-Equipment.com to order your parts



For tech. details check next page

Id	Qty	Number	Name	Specifications
1	1	3382070086	POWER PACK BIO-OIL - 5L	

Go to [Discount-Equipment.com](https://Discount-Equipment.com) to order your parts

NO EXPLODED VIEW  
AVAILABLE  
FOR THIS BOM

Go to Discount-Equipment.com to order your parts

<b>Id</b>	<b>Qty</b>	<b>Number</b>	<b>Name</b>	<b>Specifications</b>
2	1	3377000506	SEAL	
3	1	3377800409	SEAL	
4	1	0661100040	SEALING WASHER 17.28X23.8	
5	1	3377005169	Coupling spider	
6	1	3377000588	FILTER WASHER	
7	1	3377005075	FILTER 25 MIKRON	
8	1	4700361242	SPARK PLUG-	
9	1	4700366778	AIR FILTER ELEMENT-	
10	1	4700939868	AIRFILTER, OUTER	

Go to Discount-Equipment.com to order your parts



NO EXPLODED VIEW  
AVAILABLE  
FOR THIS BOM

Go to [Discount-Equipment.com](https://Discount-Equipment.com) to order your parts

<b>Id</b>	<b>Qty</b>	<b>Number</b>	<b>Name</b>	<b>Specifications</b>
1	1	3377000121	Seal kit POD	
2	1	3377800595	HYDRAULIC BLOCK COMPL. PAC P13	
3	3	0661100090	SEAL WASHER	
4	1	0661100042	SEALING WASHER 15.88X10.37	
5	1	3377004051	SEAL	
6	1	9125621500	O - RING # 9,6X2,4 90 SHORE	
7	1	3377005113	SEAL RING 5/9X1	
8	1	0661100039	SEALING WASHER 21.54X28.58	
9	1	3377000588	FILTER WASHER	

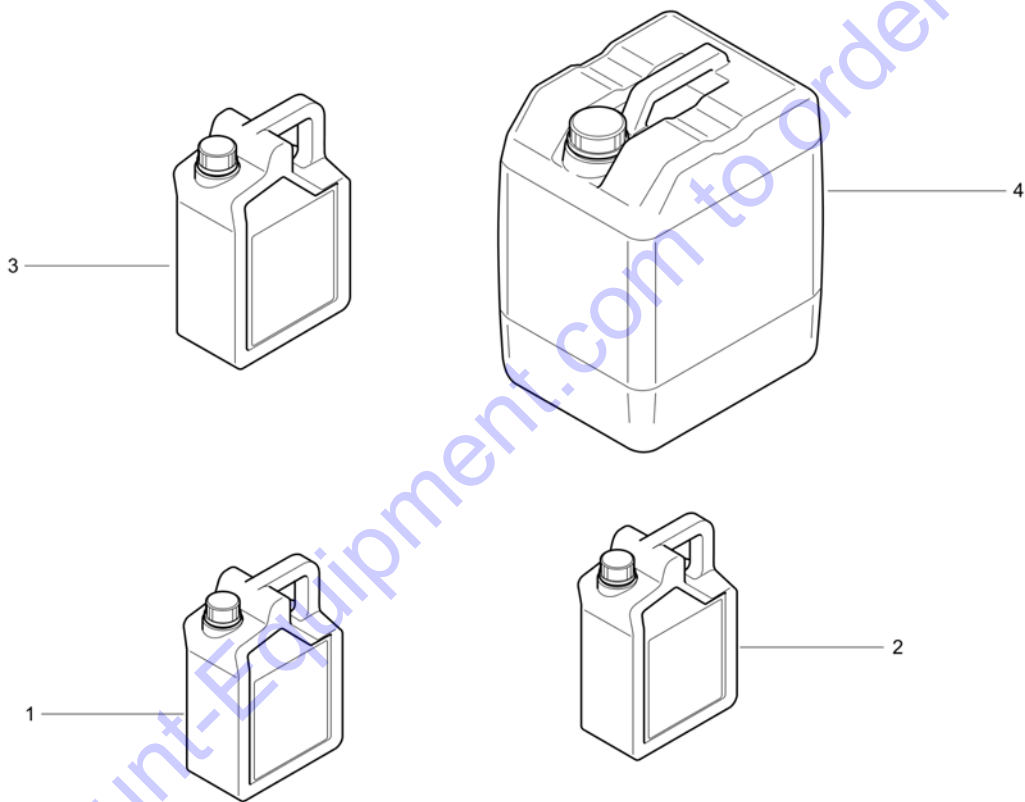
Go to Discount-Equipment.com to order your parts

NO EXPLODED VIEW  
AVAILABLE  
FOR THIS BOM

Go to Discount-Equipment.com to order your parts

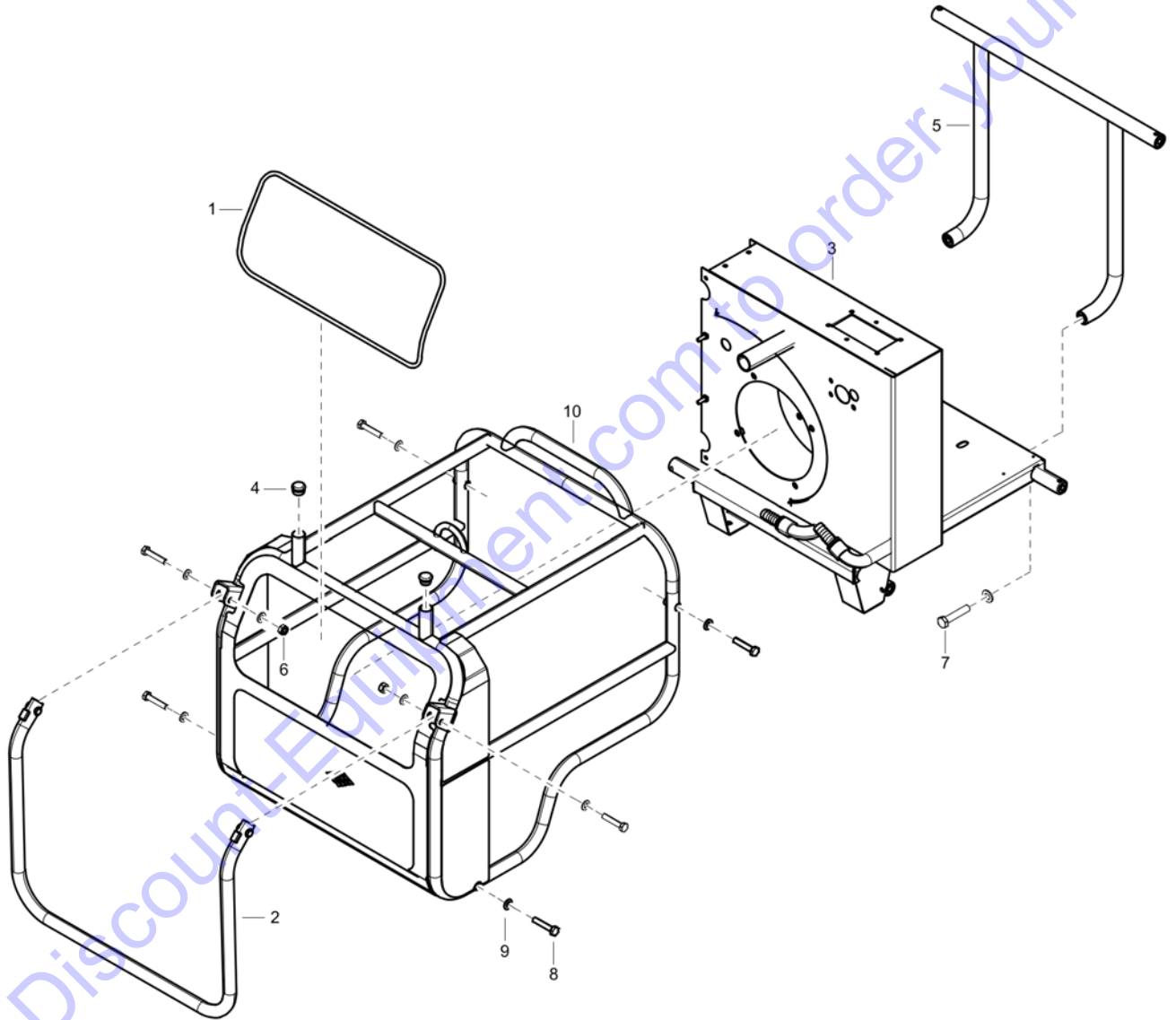
Id	Qty	Number	Name	Specifications
1	1	3377800658	FRONT LABEL APP PAC13	
2	1	3371897159	Label	
3	1	3371897259	LIFTING POINT LABEL	

Go to Discount-Equipment.com to order your parts



Id	Qty	Number	Name	Specifications
1	1	3382070086	POWER PACK BIO-OIL - 5L	
2	1	1630047100	CAN PAROIL E MISSION GREEN 5 LITER/1.32 GALLON	
3	1	1630047200	CAN PAROIL E MISSION GREEN 20 LITER/5.3 GALLON	
4	1	1630047300	BARREL PAROIL E MISSION GREEN 210 LITER/55.5 GALLON	

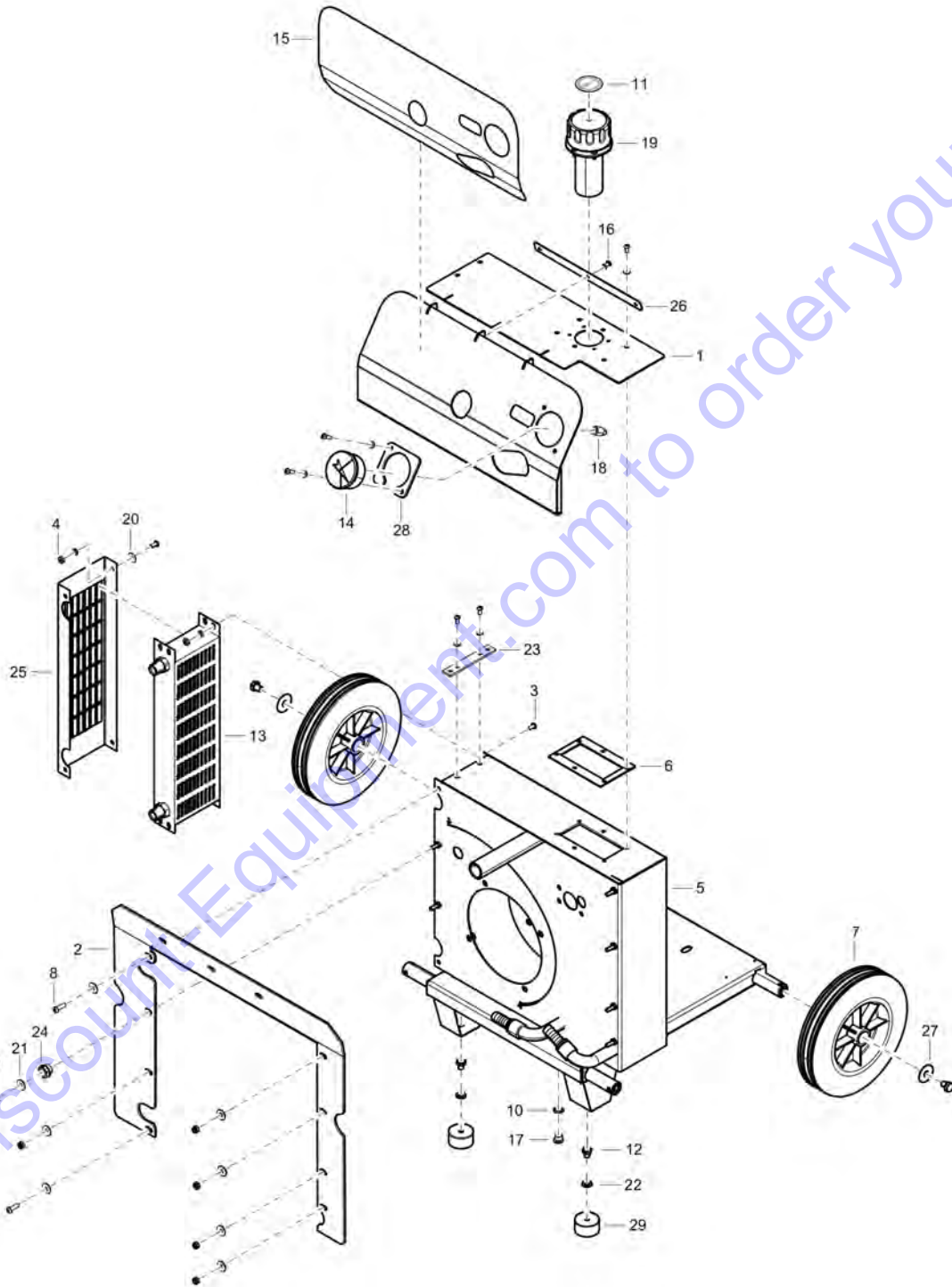
Go to Discount-Equipment.com to order your parts



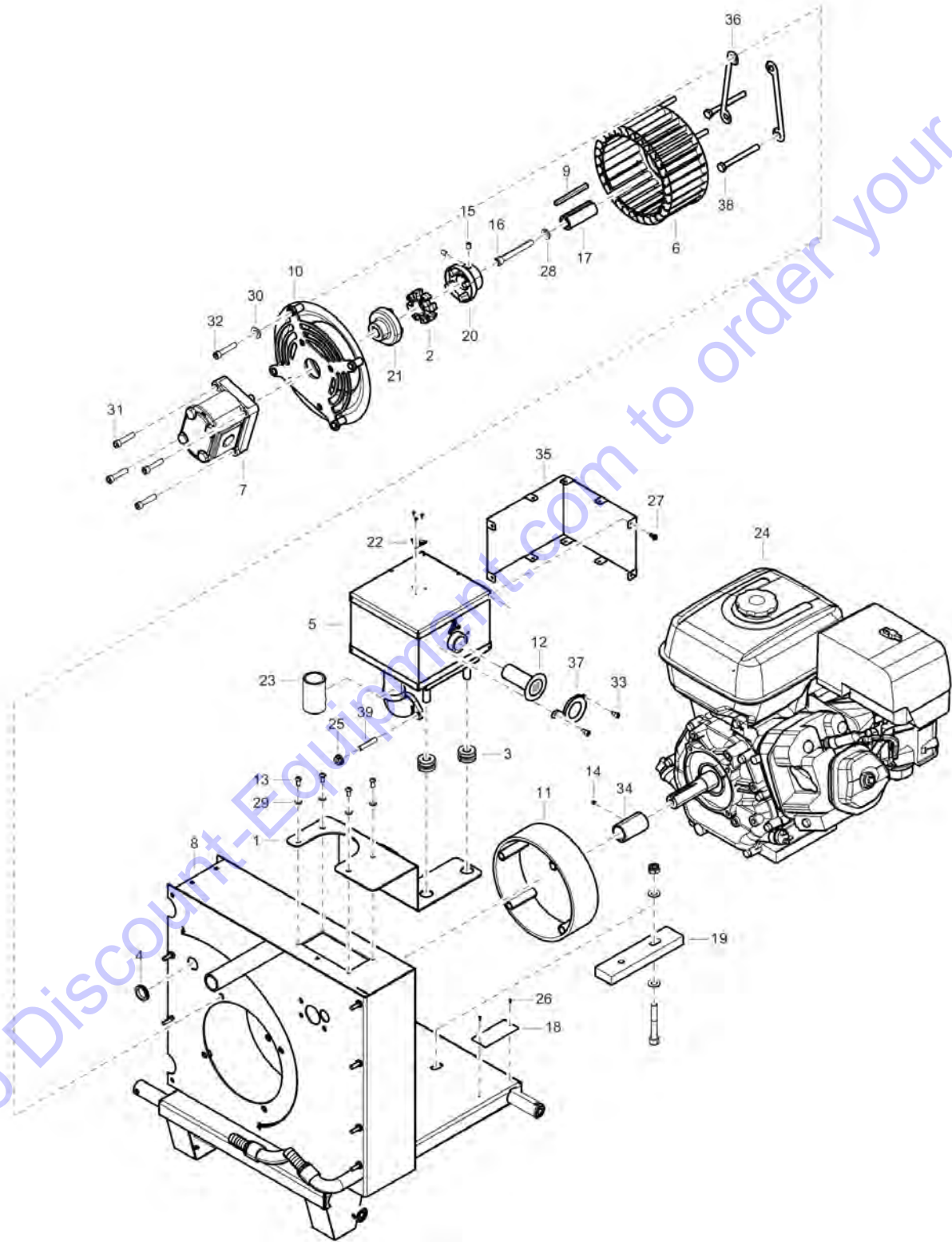
<b>Id</b>	<b>Qty</b>	<b>Number</b>	<b>Name</b>	<b>Specifications</b>
1	1	3377800336	EDGE TRIM 1116 MM	
2	1	3377800457	HANDLE LP13-30	
3	1	3377800454	HYDRAULIC TANK-CHASSIS LP13-30	
4	2	3377005704	PLASTIC PIPE PLUG	
5	1	3377800455	REAR FRAME	
6	2	0291111100	LOCKNUT:M 10 ZN PLT,\$STL W/NYL	
7	2	0211137100	BOLT SOCKET M10X70-12.9	
8	6	0147136703	HEX. BOLT	
9	10	0301234400	FLAT WASHER 10.5X21X2.0	
10	1	3377800448	FRAME 13-30	

Go to Discount-Equipment.com to order your parts

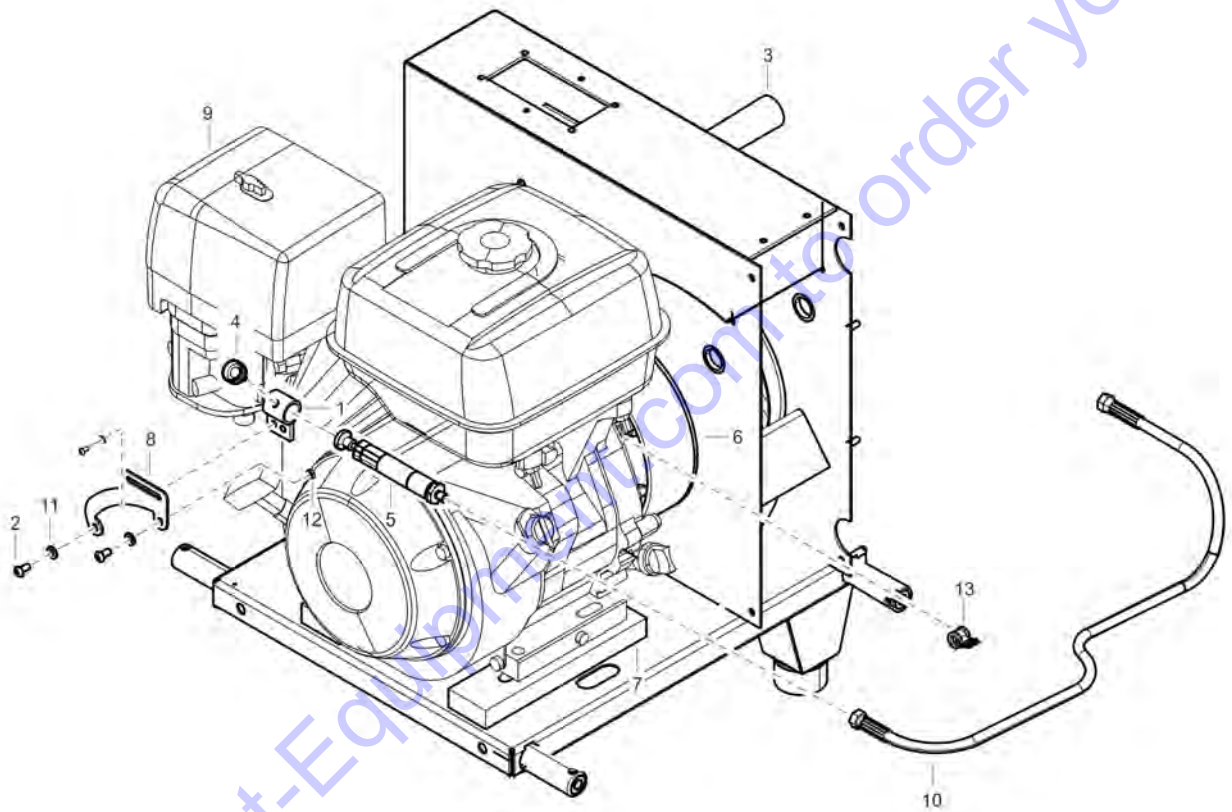




<b>Id</b>	<b>Qty</b>	<b>Number</b>	<b>Name</b>	<b>Specifications</b>
1	1	3377800456	FRONT PANEL-FIXED	
2	1	3377800250	HEAT SHIELD	
3	8	0215000380	HEX SOCK. SCREW	
4	8	0261109032	NUT M6	
5	1	3377800454	HYDRAULIC TANK-CHASSIS LP13-30	
6	1	3377800409	SEAL	
7	2	3377000412	WHEEL	
8	8	0215001073	HEX SOCK. SCREW M6 X 20	
9	6	0291110800	LOCK NUT M6 FZB	
10	1	0661100040	SEALING WASHER 17.28X23.8	
11	1	3377800432	CAUTION, HYDRAULIC OIL ONLY	
12	4	0147135803	SCR CAP HEX M10	
13	1	3377005702	OIL COOLER	
14	1	3377005067	Filter gauge complete	
15	1	3377800656	LABEL PAC P13	
16	3	3377021813	RIVET 4.8X14 AL/ST	
17	1	0686371626	PLUG	
18	1	3377000404	FITTING 04	
19	1	3377021822	Fill in cap	
20	22	0300013009	PLAIN WASHER	
21	8	0300027464	PLAIN WASHER	
22	20	0301234400	FLAT WASHER 10.5X21X2.0	
23	1	3377000506	SEAL	
24	1	0872211502	GAUGE LEVEL	
25	1	3377000457	COOLER GUARD	
26	1	3377800662	PLATE	
27	2	3377104010	WASHER 3/8X35	
28	1	3377021155	BRACKET F. MANOMETER 63	
29	2	3377000405	RUBBER FEET	



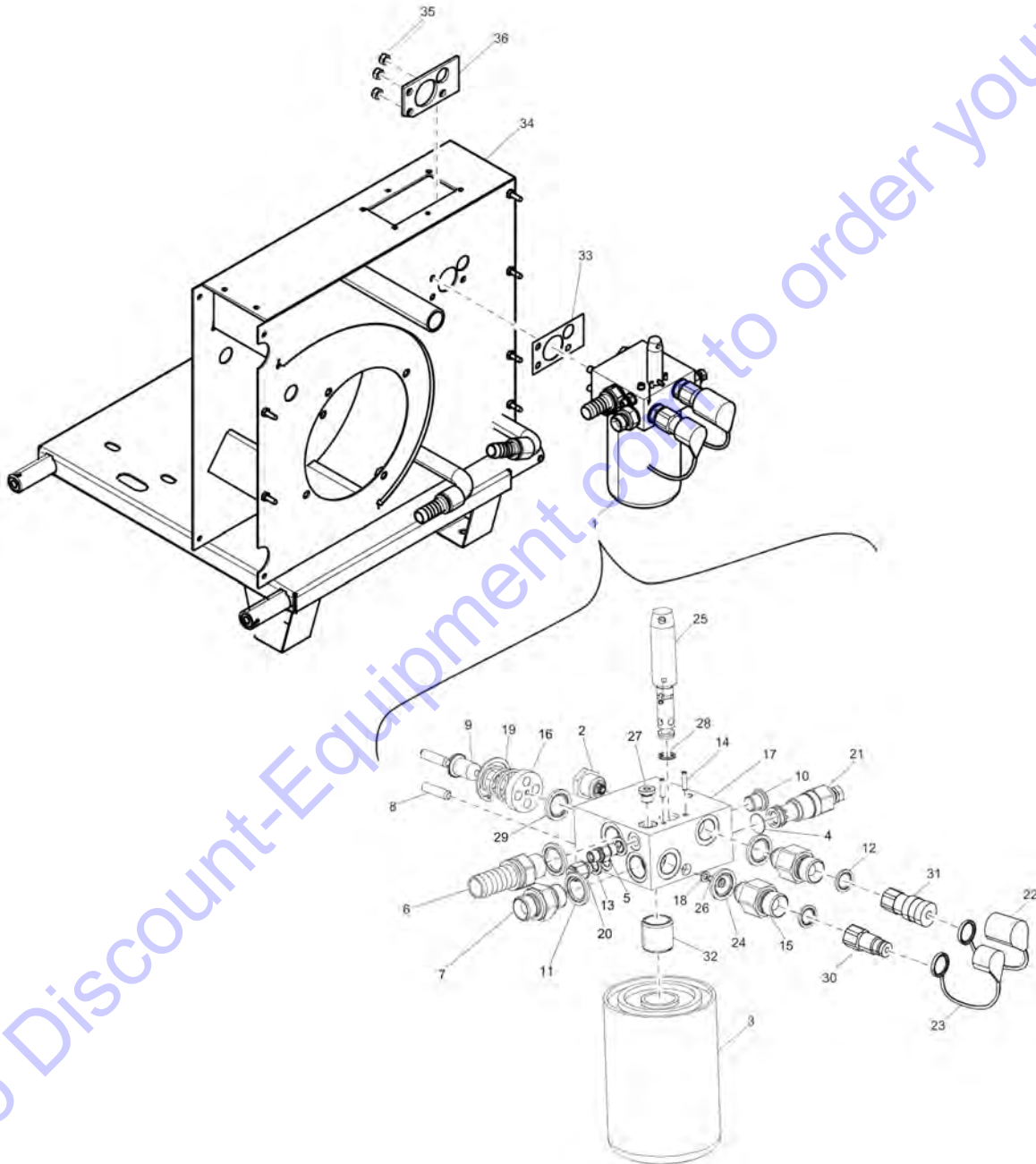
<b>Id</b>	<b>Qty</b>	<b>Number</b>	<b>Name</b>	<b>Specifications</b>
1	1	3377800657	CONSOLE PAC P13	
2	1	3377005169	Coupling spider	
3	3	3377800622	DEMPFER	
4	2	3377005087	RUBBER GROMMET	
5	1	3377800429	EXHAUST	
6	1	3377002621	FAN	
7	1	3377000467	PUMP 8.5 CC	
8	1	3377800460	HYDRAULIC TANK-CHASSIS LP13-30	
9	1	3377800253	PARALEL KEY	
10	1	3377800249	PUMP PLATE-FAN INLET-COMplete	
11	1	3377000250	spacer ring	
12	1	3377800552	SPARK ARRESTOR	
13	4	0215001073	HEX SOCK. SCREW M6 X 20	
14	1	0196116600	Set screw	
15	2	0196131900	SCREW	
16	1	0211516134	HEX SOCK. SCREW	
17	1	3377800251	SHAFT	
18	1	3371896077	ID-tag AC	
19	2	3377004720	SPACER	
20	1	3377005168	engine half coupling	
21	1	3377005171	pump half coupling	
22	2	3377800431	SIGN	
23	1	3377800627	HEAT RESISTANCE SLEEVE	
24	1	3377000421	Engine Honda GX390QX	
25	2	3377800551	NUT ?8 DIN6923	
26	2	4700185996	RIVET-D 2,4X6 DIN 7337A	
27	16	0226330020	TAPPING SCREW	
28	1	0333223000	SPRING WASHER	
29	4	0300013009	PLAIN WASHER	
30	4	0301233500	PLAIN WASHER	
31	4	0211132703	HEX SOCK. SCREW	
32	4	0211132803	SCREW M8X40 DIN912 8.8 FZB	
33	2	0226030063	HEX SOCK TAPTITE SCREW	
34	1	3377000464	distance bushing	
35	1	3377800494	HEAT SHIELD	
36	2	3377000792	NAB	
37	1	3377800505	PLATE	
38	4	3377000420	SCREW UNC3/8X83	
39	2	4700186265	SCREW-S M 8X40 DIN551	



<b>Id</b>	<b>Qty</b>	<b>Number</b>	<b>Name</b>	<b>Specifications</b>
1	1	3377021022	CYLINDER HOLDER	
2	4	0215000380	HEX SOCK. SCREW	
3	1	3377800454	HYDRAULIC TANK-CHASSIS LP13-30	
4	1	3377021725	THUMB SCREW	
5	1	3310102514	POD COMPLETE	
6	1	3377000250	spacer ring	
7	2	3377004720	SPACER	
8	1	3377021136	BRACKET POD	
9	1	3377000421	Engine Honda GX390QX	
10	1	3377050694	HOSE POD	
11	4	0300013009	PLAIN WASHER	
12	1	0261210800	NUT M6	
13	1	3377005711	CLIP	

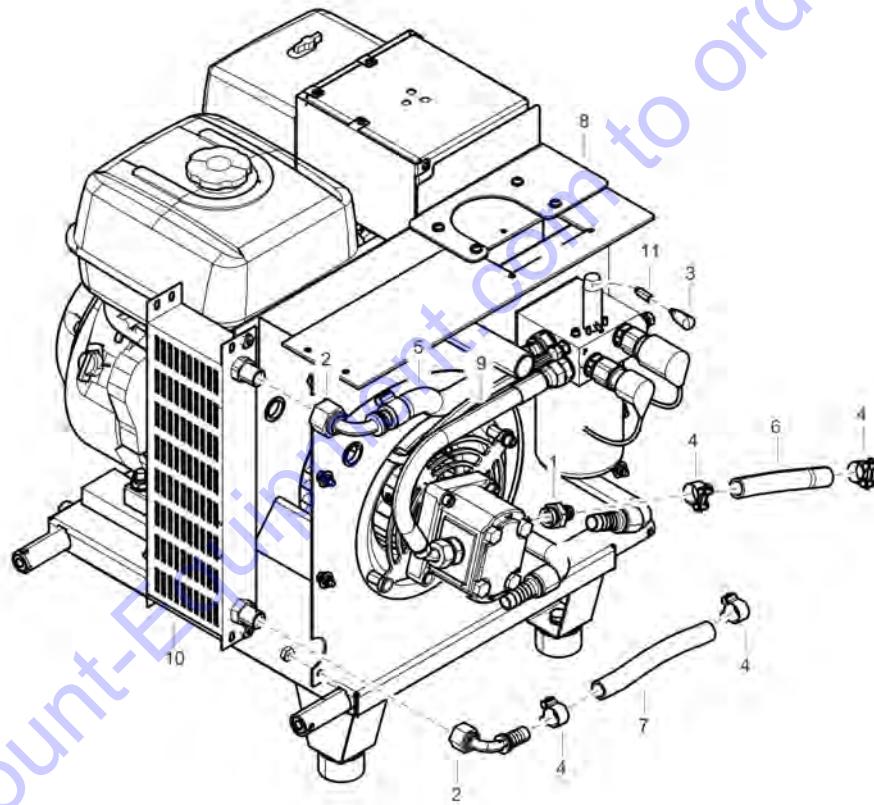
Go to Discount-Equipment.com to order your parts





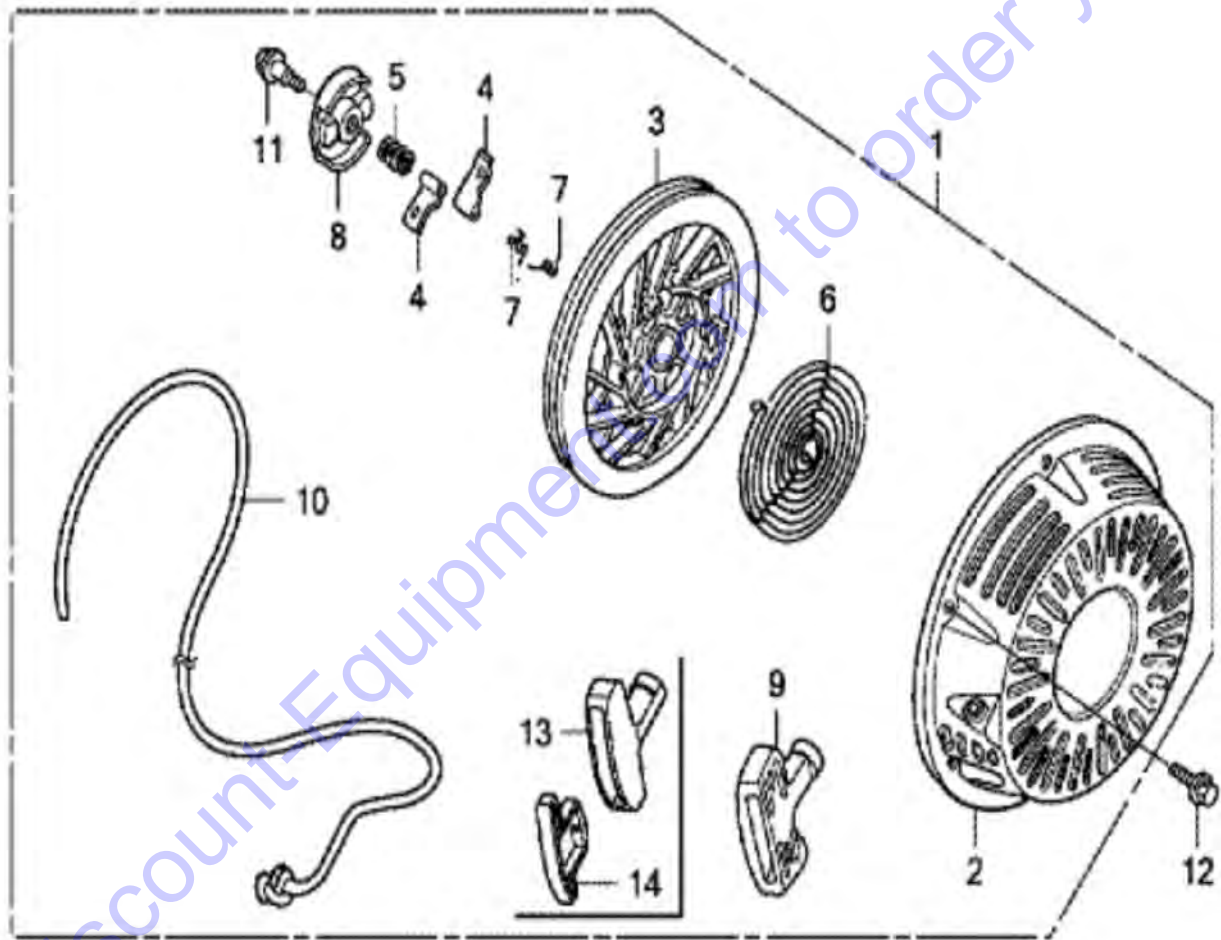
<b>Id</b>	<b>Qty</b>	<b>Number</b>	<b>Name</b>	<b>Specifications</b>
1	1	3377800595	HYDRAULIC BLOCK COMPL. PAC P13	
2	1	3377004747	BY-PASS VALVE	
3	1	3377021787	OIL FILTER 25 MIKRON	
4	1	3377000588	FILTER WASHER	
5	1	0603420051	HEXAGON NIPPLE	
6	1	0571002148	HOSE NIPPLE	
7	1	3377000113	Nipple	
8	3	0196132600	SET SCREW	
9	1	3377005082	THERMOSTAT COMPLETE	
10	1	0686644207	HEXAGON PLUG WITH SEAL G1/4	
11	1	0661100039	SEALING WASHER 21.54X28.58	
12	2	0661100026	SEALING WASHER 17.3X23.8	
13	2	0661100042	SEALING WASHER 15.88X10.37	
14	3	0108123800	SPRING PIN	
15	2	3377222311	ADAPTOR 12-06	
16	1	3377004084	thermostat end cap	
17	1	3377021414	VALVE BLOCK	
18	2	3377005113	SEAL RING 5/9X1	
19	1	0335213700	CIRCLIP	
20	1	3377000435	FITTING 02	
21	1	3377005172	PRESSURE RELIEF VALVE	
22	1	3371805733	PROTECTIVE CAP 1/2" FEMA	
23	1	3371805728	PROTECTIVE CAP 3/8" MALE	
24	3	0661100090	SEAL WASHER	
25	1	3377021501	SPOOL	
26	1	0211120403	Screw	
27	1	0211120303	HEX. SOCK. SCREW	
28	1	9125621500	O - RING # 9,6X2,4 90 SHORE	
29	1	3377100016	WASHER 5/8	
30	1	3371805137	Q.R. coupling 06 female	
31	1	3371805138	Q.R. coupling 06 male	
32	1	3377005263	filter adaptor	
33	1	3377004051	SEAL	
34	1	3377800454	HYDRAULIC TANK-CHASSIS LP13-30	
35	3	0291111000	LOCK NUT	
36	1	3377004050	CLAMP PLATE	





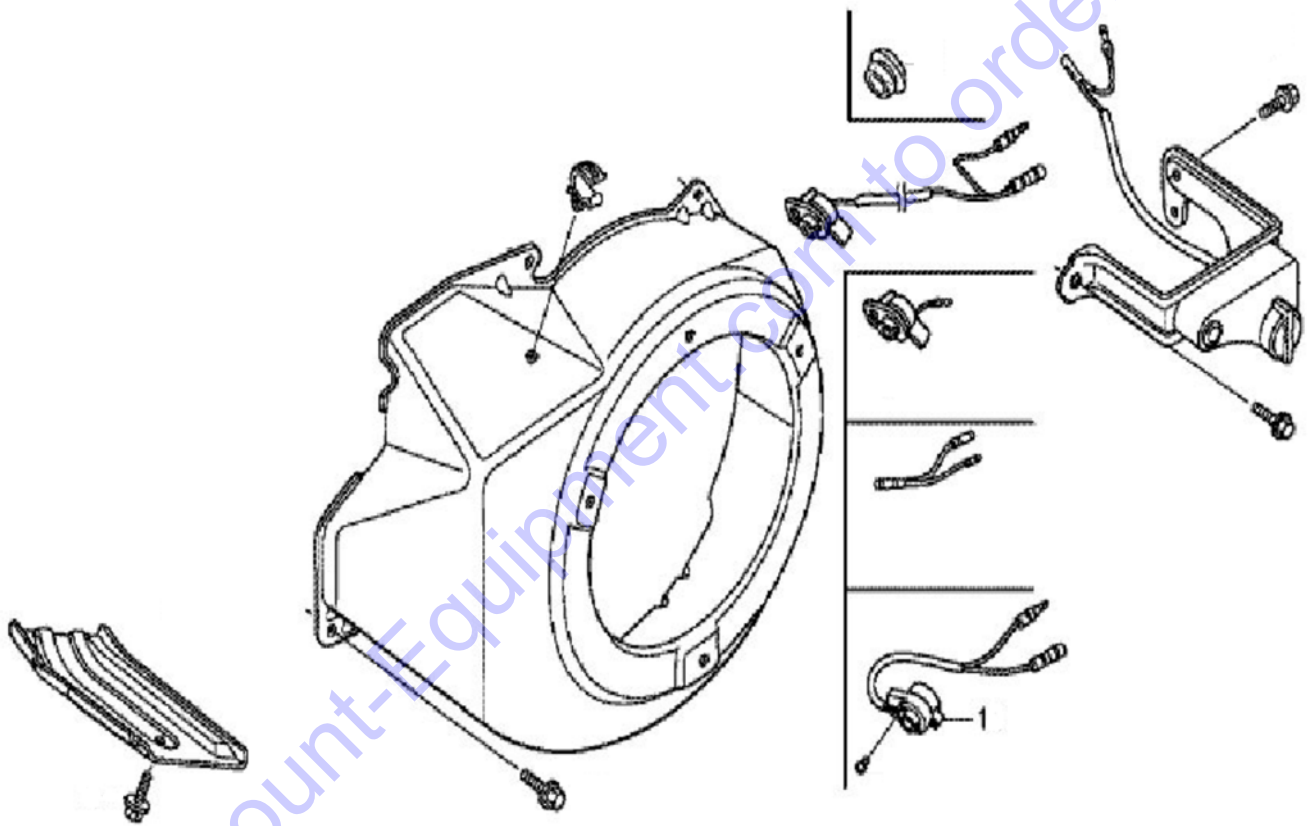
<b>Id</b>	<b>Qty</b>	<b>Number</b>	<b>Name</b>	<b>Specifications</b>
1	1	3377800325	3/4 HOSE BARB - 3/4 BSP MALE	
2	2	3377000463	HOSE FITTING	
3	1	3377000459	Handle f/valve block	
4	4	0347620085	HOSE CLIP	
5	1	3377800322	HOSE DN19 3/4"	
6	1	3377800323	HOSE DN19 3/4"	
7	1	3377800321	HOSE DN19-3/4"	
8	1	3377800460	HYDRAULIC TANK-CHASSIS LP13-30	
9	1	3377800324	PRESSURE HOSE	
10	1	3377005702	OIL COOLER	
11	1	3377800373	AXE	

Go to Discount-Equipment.com to order your parts



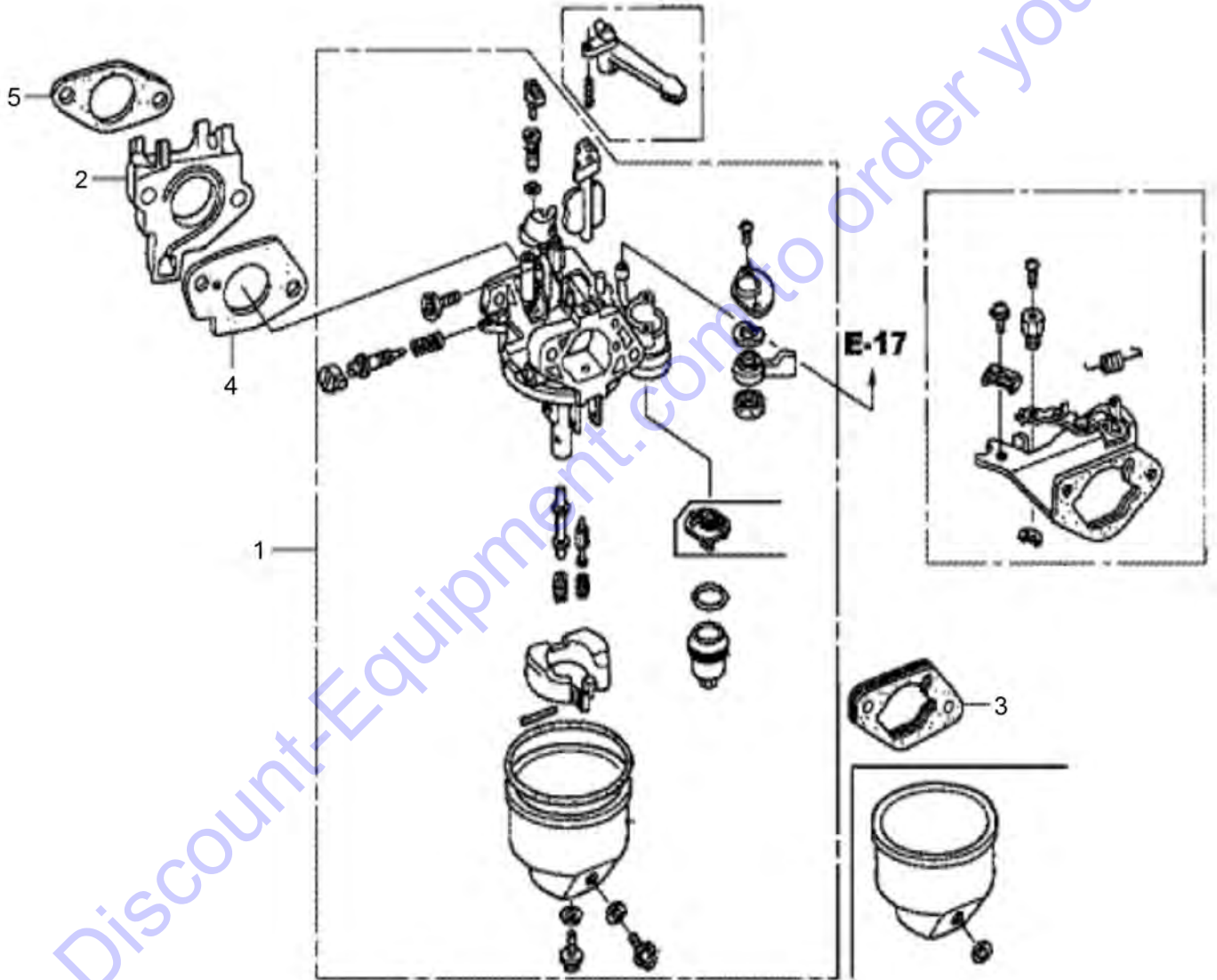
<b>Id</b>	<b>Qty</b>	<b>Number</b>	<b>Name</b>	<b>Specifications</b>
1	1	3377800774	STARTER ASSY., RECOIL R280	
2	1	3377800843	CASE COMP. RECOIL STARTER	
3	1	3377800776	PULLEY, RECOIL STARTER	
4	2	4700937463	SNAP HOOK	
5	1	4700937464	SPRING	
6	1	4700937465	STARTER SPRING	
7	2	4700937466	SPRING	
8	1	4700937467	SUPPORT	
9	1	3382015793	ROPE, RECOIL STARTER	
10	1	4700937471	SCREW	
11	3	3382015795	BOLT, FLANGE, 6X10	
12	1	3382015796	GRIP, STARTER	
13	1	3377800786	GRIP, STARTER (FOR USA)	
14	1	3377800787	GRIP, REINFORCEMENT	

Go to Discount-Equipment.com to order your parts



Id	Qty	Number	Name	Specifications

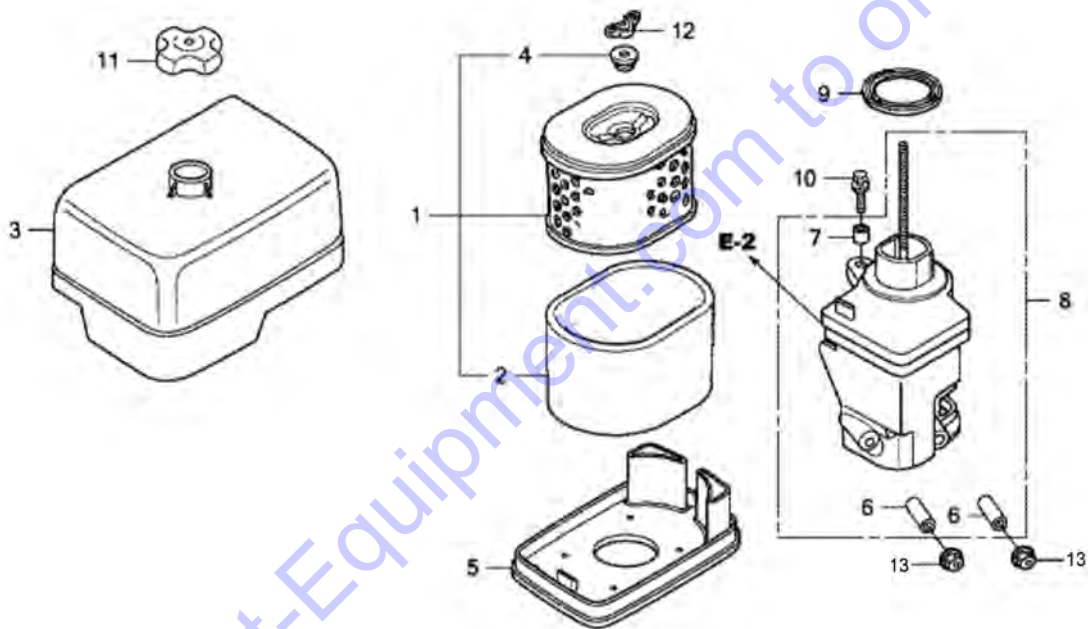
Go to [Discount-Equipment.com](https://Discount-Equipment.com) to order your parts



<b>Id</b>	<b>Qty</b>	<b>Number</b>	<b>Name</b>	<b>Specifications</b>
1	1	3377800811	CARBURETOR ASSY. (BE88A A)	
2	1	3382015764	INSULATOR, CARBURETOR	
3	1	4700937485	SPACER	
4	1	3377800814	PACKING, CARBURETOR	
5	1	3377800815	PACKING, CARBURETOR INSULATOR	

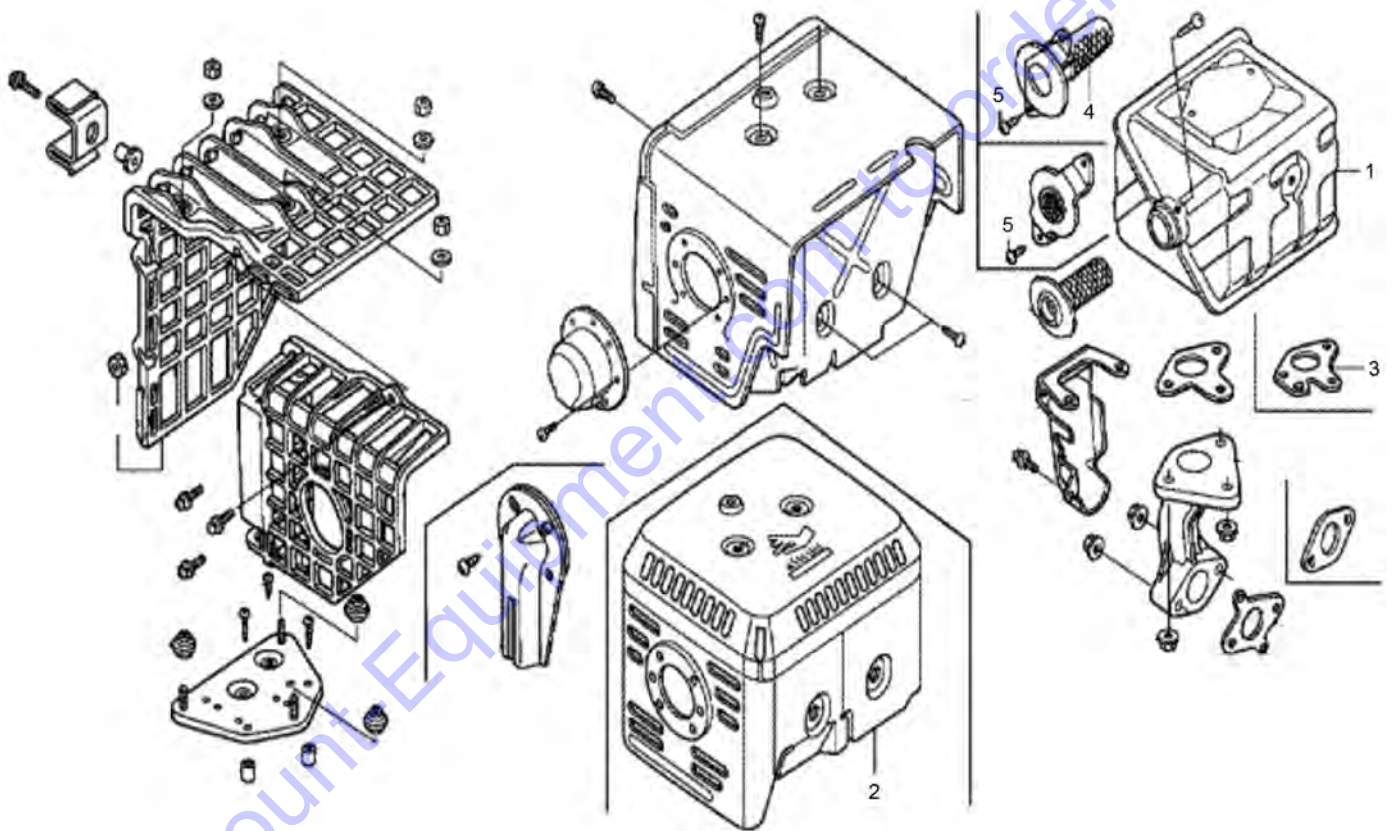
Go to Discount-Equipment.com to order your parts





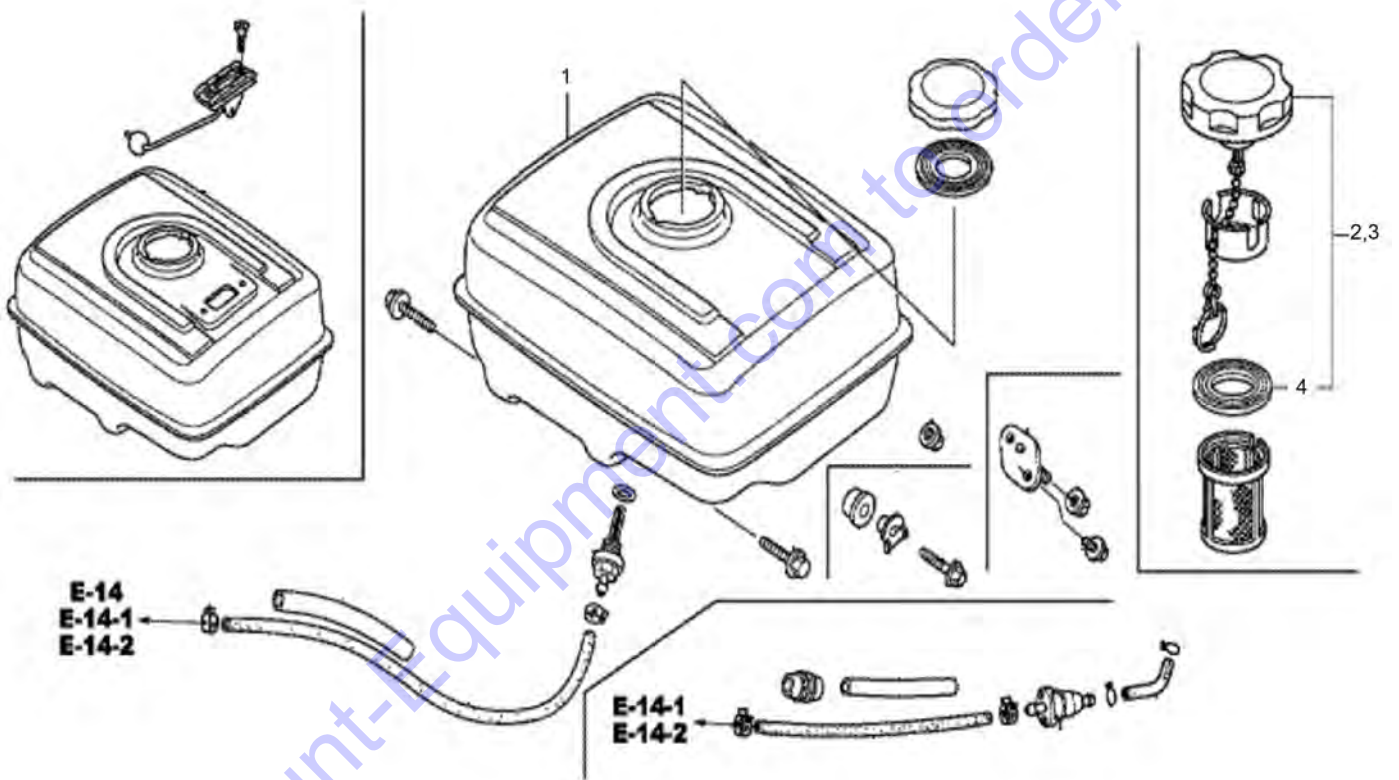
<b>Id</b>	<b>Qty</b>	<b>Number</b>	<b>Name</b>	<b>Specifications</b>
1	1	3377800698	ELEMENT, AIR CLEANER	
2	1	3377800697	FILTER, OUTER	
3	1	3377800821	COVER, AIR CLEANER CASE	
4	1	4700239772	GASKET	
5	1	3382015771	NOSE, SILENCER	
6	2	3382015780	COLLAR, AIR CLEANER	
7	1	3382015781	COLLAR B, AIR CLEANER	
8	1	3382015782	ELBOW COMP., AIR CLEANER	
9	1	4700937498	GASKET	
10	1	3382015783	BOLT-WASHER, 6X22	
11	1	3377800823	NUT, AIR CLEANER COVER	
12	1	4700239771	NUT	
13	2	3382015788	NUT, FLANGE, 6MM	

Go to Discount-Equipment.com to order your parts



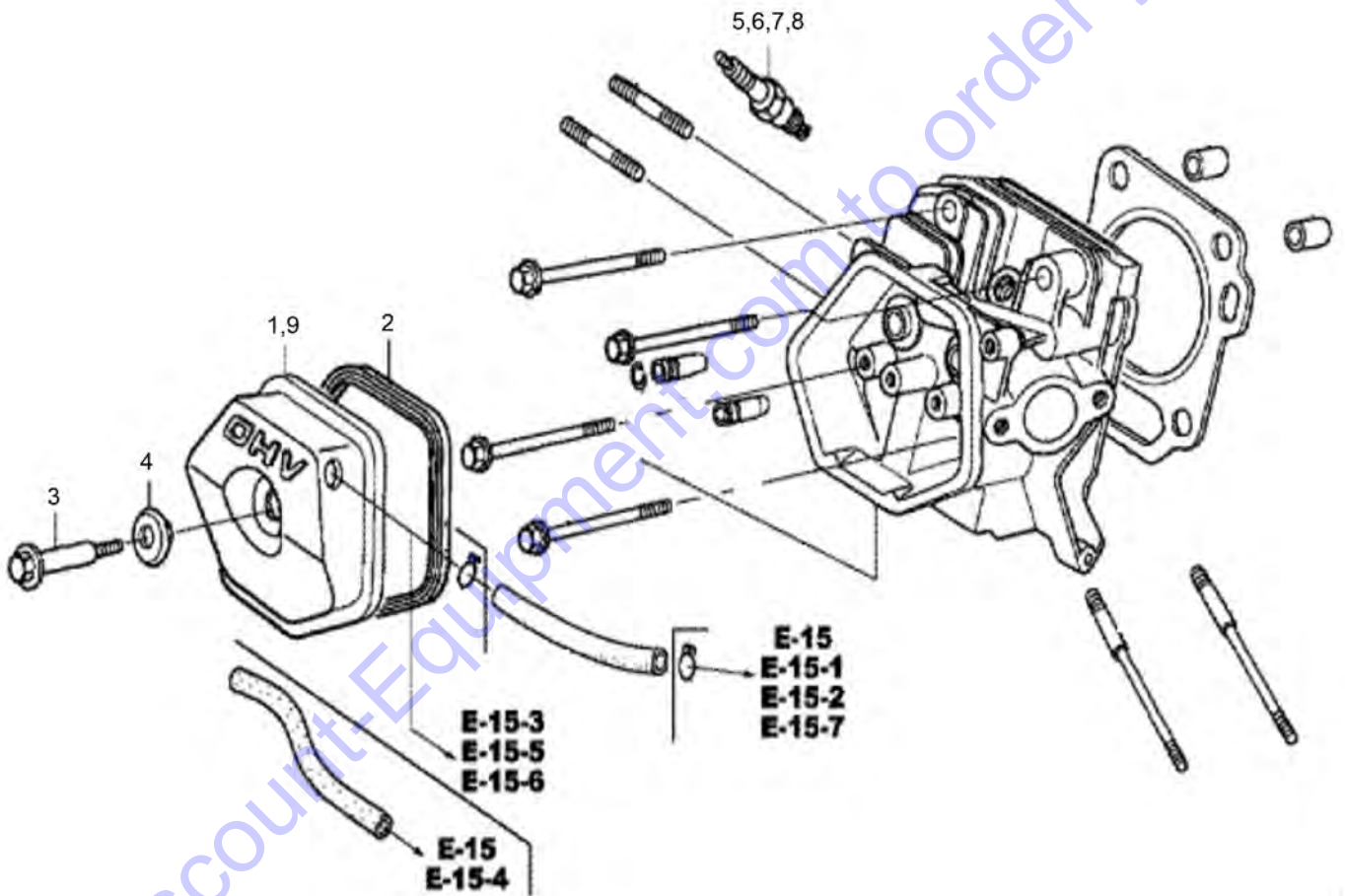
Id	Qty	Number	Name	Specifications
1	1	3382015789	MUFFLER COMP.	
2	1	3377800844	PROTECTOR COMP. MUFFLER	
3	1	3382100198	GASKET HONDA GX 270	
4	1	3382015794	ARRESTER COMP., SPARK	
5	2	3382015795	BOLT, FLANGE, 6X10	

Go to Discount-Equipment.com to order your parts



<b>Id</b>	<b>Qty</b>	<b>Number</b>	<b>Name</b>	<b>Specifications</b>
1	1	3377800827	TANK COMP., FUEL NH31	
2	1	3377800831	CAP COMP., FUEL FILLER	
3	1	3377800832	CAP COMP., FUEL FILLER	
4	1	3377800833	FUEL FILLER CAP (39X62X3)	

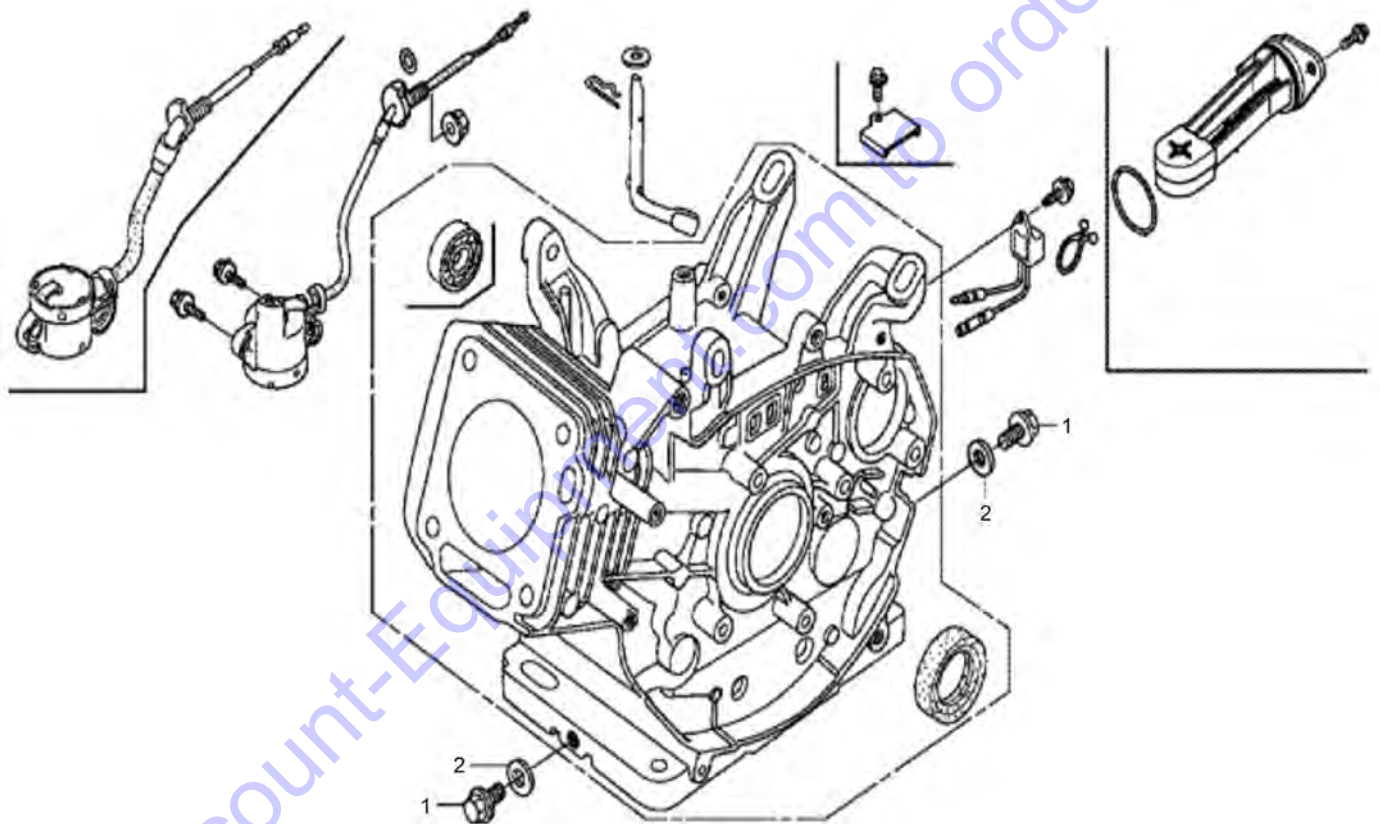
Go to Discount-Equipment.com to order your parts



<b>Id</b>	<b>Qty</b>	<b>Number</b>	<b>Name</b>	<b>Specifications</b>
1	1	3382100200	VALVE COVER HONDA GX 270	
2	1	3382100022	GASKET	
3	1	3382015806	BOLT, HEAD COVER	
4	1	3382015807	WASHER COMP., HEAD COVER	
5	1	3382100054	SPARK PLUG	
6	1	3382015808	PLUG, SPARK (W16EPR-U) (DENSO)	
7	1	3382015809	Plug, spark (bpr5es) (ngk)	
8	1	3382100167	SPARK PLUG	
9	1	3382015805	Cover, cylinder head	

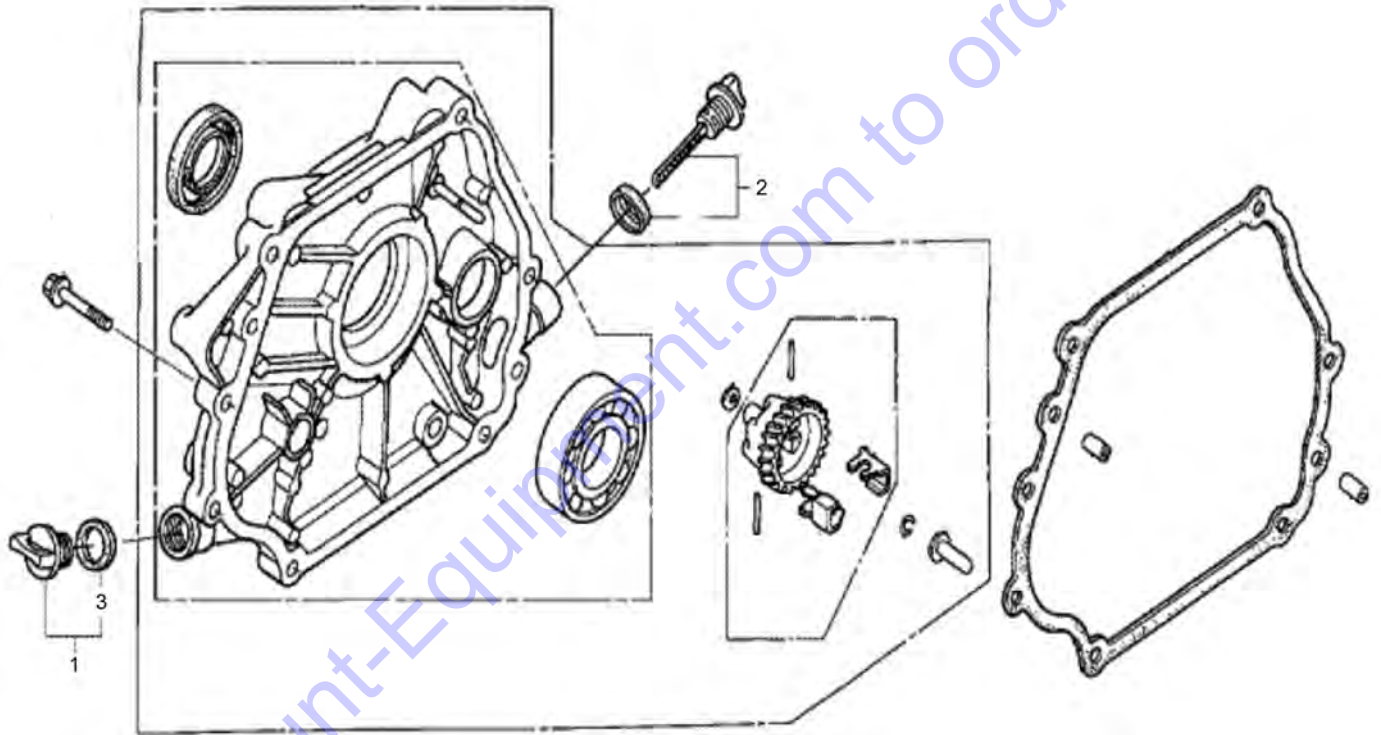
Go to Discount-Equipment.com to order your parts





<b>Id</b>	<b>Qty</b>	<b>Number</b>	<b>Name</b>	<b>Specifications</b>
1	2	3382100202	OIL DRAIN PLUG HONDA GX 270	
2	2	3382100058	GASKET FOR OIL DRAIN PLUG	

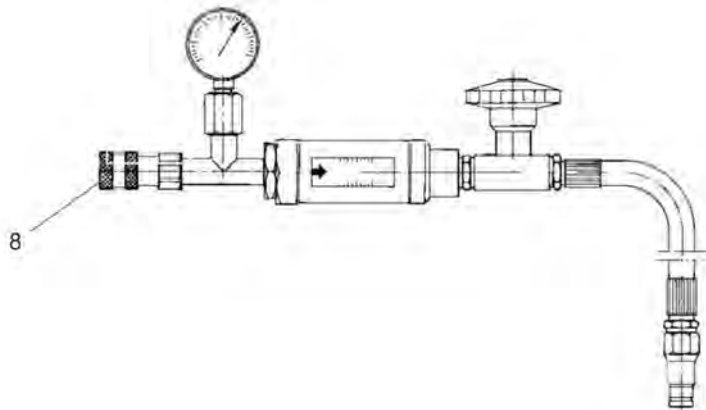
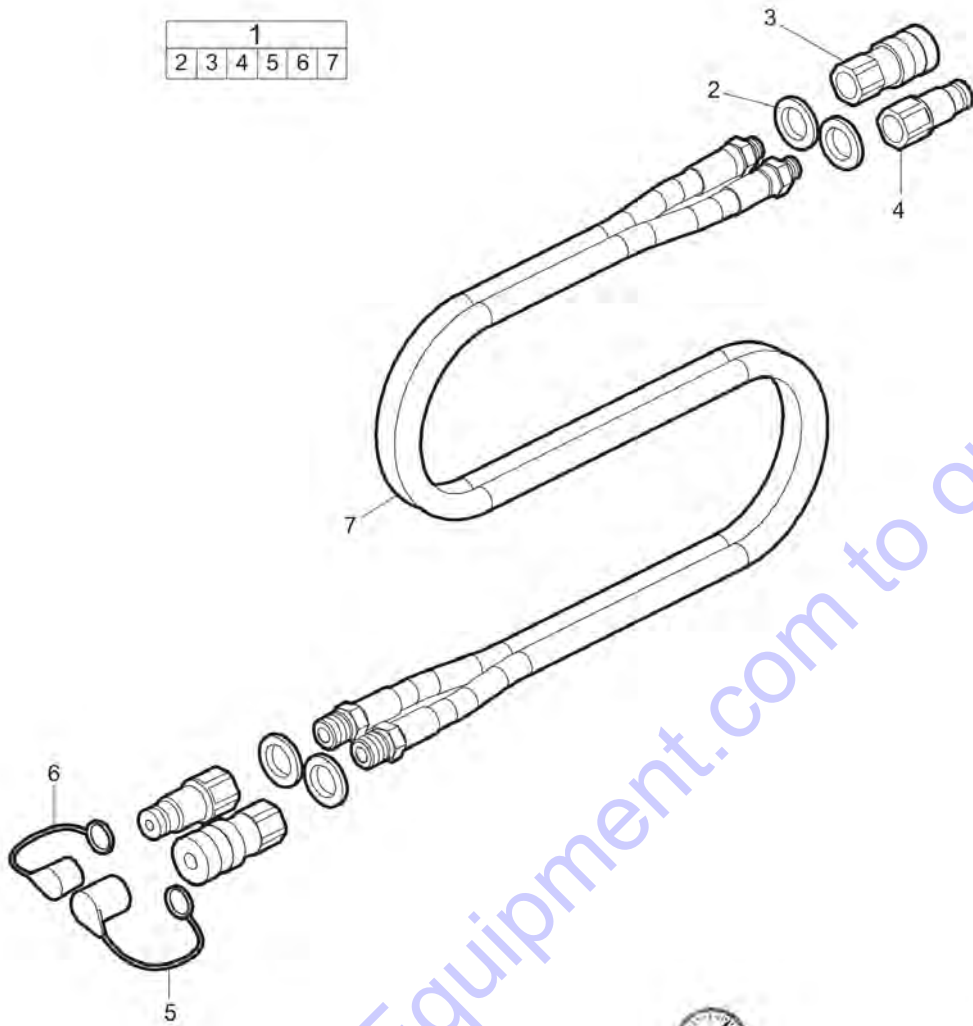
Go to Discount-Equipment.com to order your parts



Id	Qty	Number	Name	Specifications
1	1	3382015810	CAP ASSY., OIL FILLER (BLACK)	
2	1	3382100199	OIL DIPSTICK, COMPLETE GX 270	
3	1	3382015197	PACKING, OIL FILLER CAP	

Go to Discount-Equipment.com to order your parts

				1		
2	3	4	5	6	7	



Go to Discount-Equipment.com to order your parts

<b>Id</b>	<b>Qty</b>	<b>Number</b>	<b>Name</b>	<b>Specifications</b>
1	1	3371801087	7 m Twin extension hose	
2	4	0661100039	SEALING WASHER 21.54X28.58	
3	2	3371805133	Q.R. coupling 08 female	
4	2	3371805134	Q.R. coupling 08 male	
5	2	3371805733	PROTECTIVE CAP 1/2" FEMA	
6	2	3371805732	PROTECTIVE CAP 1/2" MALE	
7	1	3371803052	7 m 1/2" hose	
8	1	3371801154	Test equipment	

Go to Discount-Equipment.com to order your parts



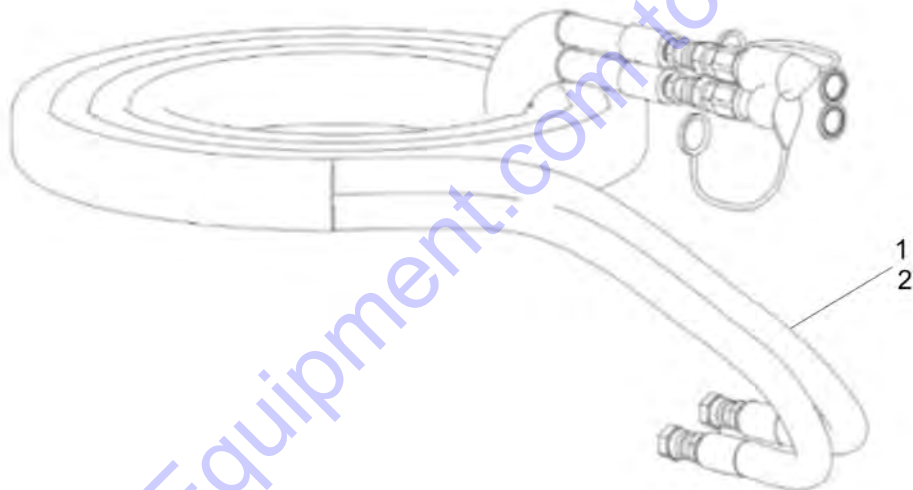
Go to Discount-Equipment.com to order your parts

<b>Id</b>	<b>Qty</b>	<b>Number</b>	<b>Name</b>	<b>Specifications</b>
1	1	3310101858	WHIP CHECK 1/2"-1.1/4",L=540mm	
1	1	3310101859	WHIP CHECK 1.1/2"-3",L=965mm	
1	1	3310101860	WHIP CHECK 3"-6",L=1150mm	
2	1	3310102546	WHIPCHECK PRO 1/2 - 4",L=500MM,BS=1000KG	

Go to Discount-Equipment.com to order your parts



Description	Length		Diameter		Weight	Comments	Part number
	m	ft	mm	in	kg <sup>1)</sup>		
Hydraulic twin-extension hose	7.0	23	12.5	½	8.3	Incl. ½ inch Flat-Face quick-release couplings	1 3371 8010 87
	12.0	39	12.5	½	13.3	Incl. ½ inch Flat-Face quick-release couplings	13371 8010 89
	7.0	23	12.5	½	8.0	Incl. ½ inch BSP female connection for direct mounting	13371 8010 82
Double connection hoses	1.6	5	12.5	½	1.7	-	2 3371 8011 90

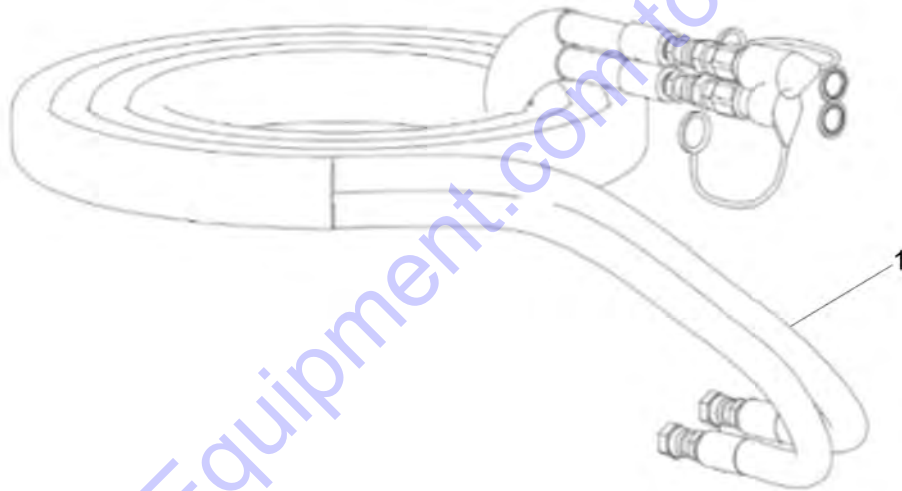


For tech. details check next page

<b>Id</b>	<b>Qty</b>	<b>Number</b>	<b>Name</b>	<b>Specifications</b>
1	1	3371801087	7 m Twin extension hose	
1	1	3371801089	12 m Twin extension hose	
1	1	3371801082	7 m Twin hose	
2	1	3371801190	1.6 M TAIL-HOSE SET	

Go to Discount-Equipment.com to order your parts

Description	Length	Diameter	Weight	Comments	Part number
	ft	in	lbs		
Hydraulic twin-extension hose	30	½	22	½" pressure and ¾" return hose with ½" flat-face quick release couplings	9246 0204 98
Hydraulic twin-extension hose	50	½	37		9246 0204 99
Hydraulic twin-extension hose	15	½ & ¾	12	½" pressure and ¾" return hose with ½" flat-face male and female quick release couplings connect to Chicago Pneumatic handheld hydraulic units and the ¾" male and female flat faced couplings connects to PTO	9246 0205 02
Hydraulic twin-extension hose	30	½ & ¾	24		9246 0205 03
Hydraulic twin-extension hose	50	½ & ¾	37		9246 0205 04



For tech. details check next page

<b>Id</b>	<b>Qty</b>	<b>Number</b>	<b>Name</b>	<b>Specifications</b>
1	1	9246020498	Hydraulic twin-extension hose	
1	1	9247020499	Hydraulic twin-extension hose	
1	1	9246020502	Hydraulic twin-extension hose	
1	1	9246020503	HYD HOSE ASSY 30'X1/2"X3	
1	1	9246020504	Hydraulic twin-extension hose	

Go to Discount-Equipment.com to order your parts

# PARTS FINDER

**Search Website  
by Part Number**



**Search Manual  
Library For Parts  
Manual & Lookup Part  
Numbers – Purchase  
or Request Quote**

**Search Manuals**

Enter your information to help us find the right parts manual for your machine.

\* Brand:

\* Model:

\* Serial:

\* Part Number:

SEARCH

**Can't Find Part or  
Manual? Request Help  
by Manufacturer,  
Model & Description**

**Parts Order Form**

Please fill in the following information to help us find the right part for your machine.

MANUFACTURER:

MODEL:

DESCRIPTION:

SEARCH

Discount-Equipment.com is your online resource for quality parts & equipment.

Florida: **561-964-4949** Outside Florida TOLL FREE: **877-690-3101**

**Need parts?**

Click on this link: <http://www.discount-equipment.com/category/5443-parts/> and choose one of the options to help get the right parts and equipment you are looking for. Please have the machine model and serial number available in order to help us get you the correct parts. If you don't find the part on the website or on one of the online manuals, please fill out the request form and one of our experienced staff members will get back to you with a quote for the right part that your machine needs.

We sell worldwide for the brands: Genie, Terex, JLG, MultiQuip, Mikasa, Essick, Whiteman, Mayco, Toro Stone, Diamond Products, Generac Magnum, Airman, Haulotte, Barreto, Power Blanket, Nifty Lift, Atlas Copco, Chicago Pneumatic, Allmand, Miller Curber, Skyjack, Lull, Skytrak, Tsurumi, Husquvarna Target, Stow, Wacker, Sakai, Mi-T-M, Sullair, Basic, Dynapac, MBW, Weber, Bartell, Bennar Newman, Haulotte, Ditch Runner, Menegotti, Morrison, Contec, Buddy, Crown, Edco, Wyco, Bomag, Laymor, EZ Trench, Bil-Jax, F.S. Curtis, Gehl Pavers, Heli, Honda, ICS/PowerGrit, IHI, Partner, Imer, Clipper, MMD, Koshin, Rice, CH&E, General Equipment, Amida, Coleman, NAC, Gradall, Square Shooter, Kent, Stanley, Tamco, Toku, Hatz, Kohler, Robin, Wisconsin, Northrock, Oztec, Toker TK, Rol-Air, APT, Wylie, Ingersoll Rand / Doosan, Innovatech, Con X, Ammann, Mecalac, Makinex, Smith Surface Prep, Small Line, Wanco, Yanmar