

Go to [Discount-Equipment.com](http://Discount-Equipment.com) to order your parts



**Discount  
Equipment**

[www.discount-equipment.com](http://www.discount-equipment.com)

---

Filter	9870077500,PN2 265001 -   9870077500,PUN 000001 - 225792
Identity	9870077500
Specifications	Product number: 1807008026, Product number: 1807008038, Product number: 1807800004, Division: Portable Air, Product group: Hydraulic handheld, Product type: Hydraulic powerpacks , Product: PAC P9, Product Company: Chakan

# PARTS FINDER

**Search Website  
by Part Number**



**Search Manual  
Library For Parts  
Manual & Lookup Part  
Numbers – Purchase  
or Request Quote**

**Search Manuals**

Enter your information to help us find the right parts manual for your machine.

\* Brand:

\* Model:

\* Serial:

\* Part Number:

SEARCH

**Can't Find Part or  
Manual? Request Help  
by Manufacturer,  
Model & Description**

**Parts Order Form**

Please fill in the following information to help us find the right part for your machine.

Manufacturer:	<input type="text"/>
Model:	<input type="text"/>
Description:	<input type="text"/>
Part Number:	<input type="text"/>
Quantity:	<input type="text"/>
Notes:	<input type="text"/>

Submit

Discount-Equipment.com is your online resource for quality parts & equipment.

Florida: **561-964-4949** Outside Florida TOLL FREE: **877-690-3101**

**Need parts?**

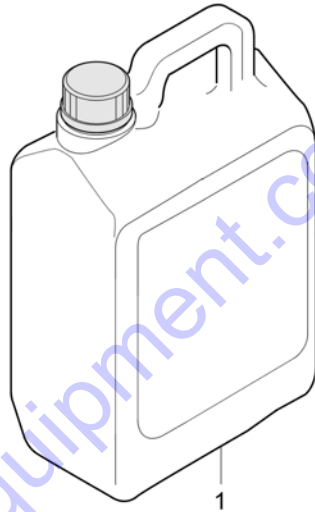
Click on this link: <http://www.discount-equipment.com/category/5443-parts/> and choose one of the options to help get the right parts and equipment you are looking for. Please have the machine model and serial number available in order to help us get you the correct parts. If you don't find the part on the website or on one of the online manuals, please fill out the request form and one of our experienced staff members will get back to you with a quote for the right part that your machine needs.

We sell worldwide for the brands: Genie, Terex, JLG, MultiQuip, Mikasa, Essick, Whiteman, Mayco, Toro Stone, Diamond Products, Generac Magnum, Airman, Haulotte, Barreto, Power Blanket, Nifty Lift, Atlas Copco, Chicago Pneumatic, Allmand, Miller Curber, Skyjack, Lull, Skytrak, Tsurumi, Husquvarna Target, Stow, Wacker, Sakai, Mi-T-M, Sullair, Basic, Dynapac, MBW, Weber, Bartell, Bennar Newman, Haulotte, Ditch Runner, Menegotti, Morrison, Contec, Buddy, Crown, Edco, Wyco, Bomag, Laymor, EZ Trench, Bil-Jax, F.S. Curtis, Gehl Pavers, Heli, Honda, ICS/PowerGrit, IHI, Partner, Imer, Clipper, MMD, Koshin, Rice, CH&E, General Equipment, Amida, Coleman, NAC, Gradall, Square Shooter, Kent, Stanley, Tamco, Toku, Hatz, Kohler, Robin, Wisconsin, Northrock, Oztec, Toker TK, Rol-Air, APT, Wylie, Ingersoll Rand / Doosan, Innovatech, Con X, Ammann, Mecalac, Makinex, Smith Surface Prep, Small Line, Wanco, Yanmar

Power pack bio-oil	Powerpackoil
Frame and cowl	
Tank and chassi	
Engine and pump LP 9-20 Petrol	APP
Valve block	
Cylinder	
Hoses and fittings	
Hydraulic block complete	
Recoil starter	
Fan cover	
Air cleaner	
Carburetor	
Muffler	
Fuel tank	
Cylinder head	
Cylinder barrel	
Crankcase cover	
Hydraulic hoses	Hydraulichoses
Hydraulic twin hoses	Hydraulictwinhoses_CP
Whip Check	Whipchec_AC

Go to Discount-Equipment.com to order your parts

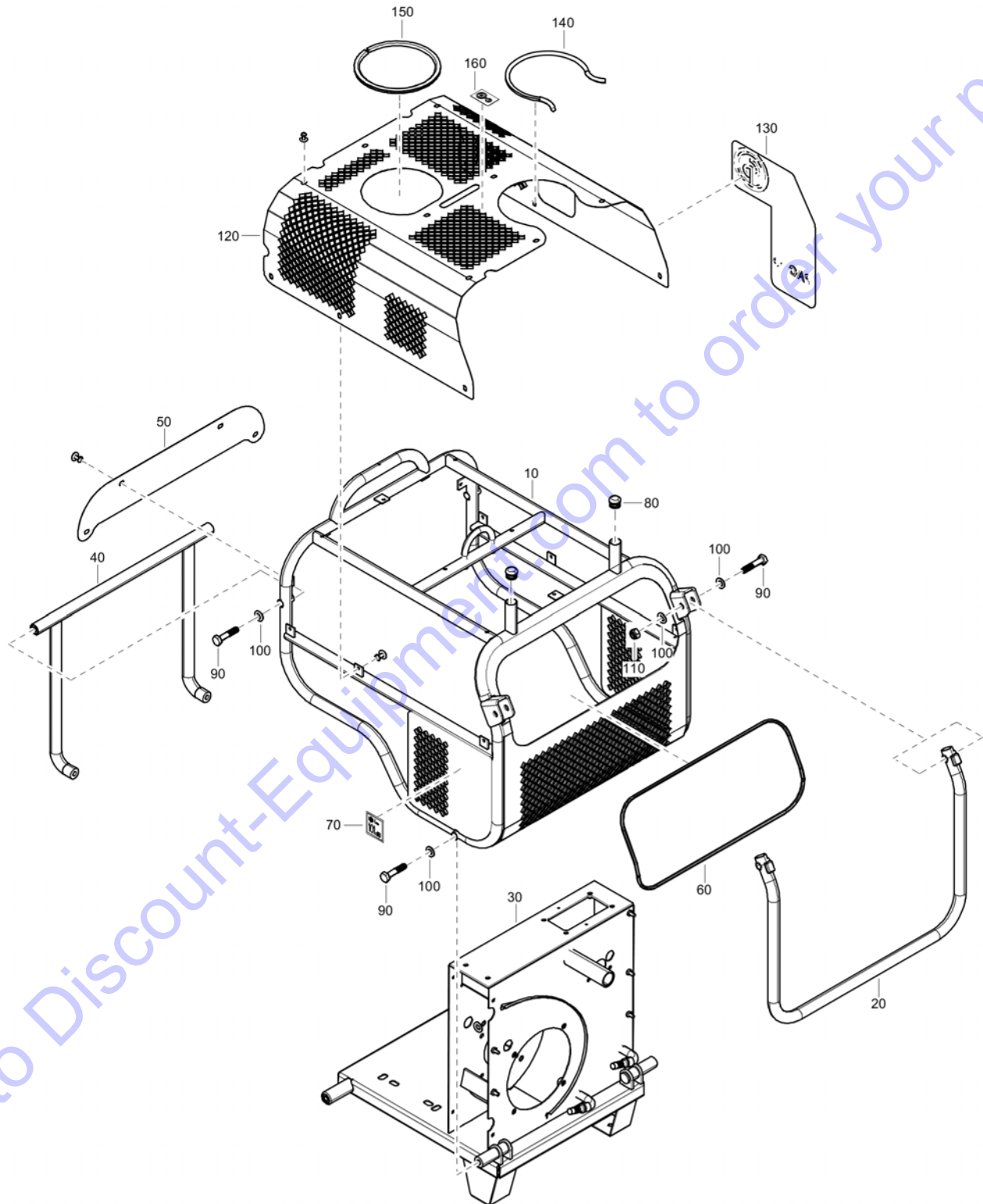
Description	Part number
4 litres	1 3382 0700 86



For tech. details check next page

Id	Qty	Number	Name	Specifications
1	1	3382070086	POWER PACK BIO-OIL - 5L	

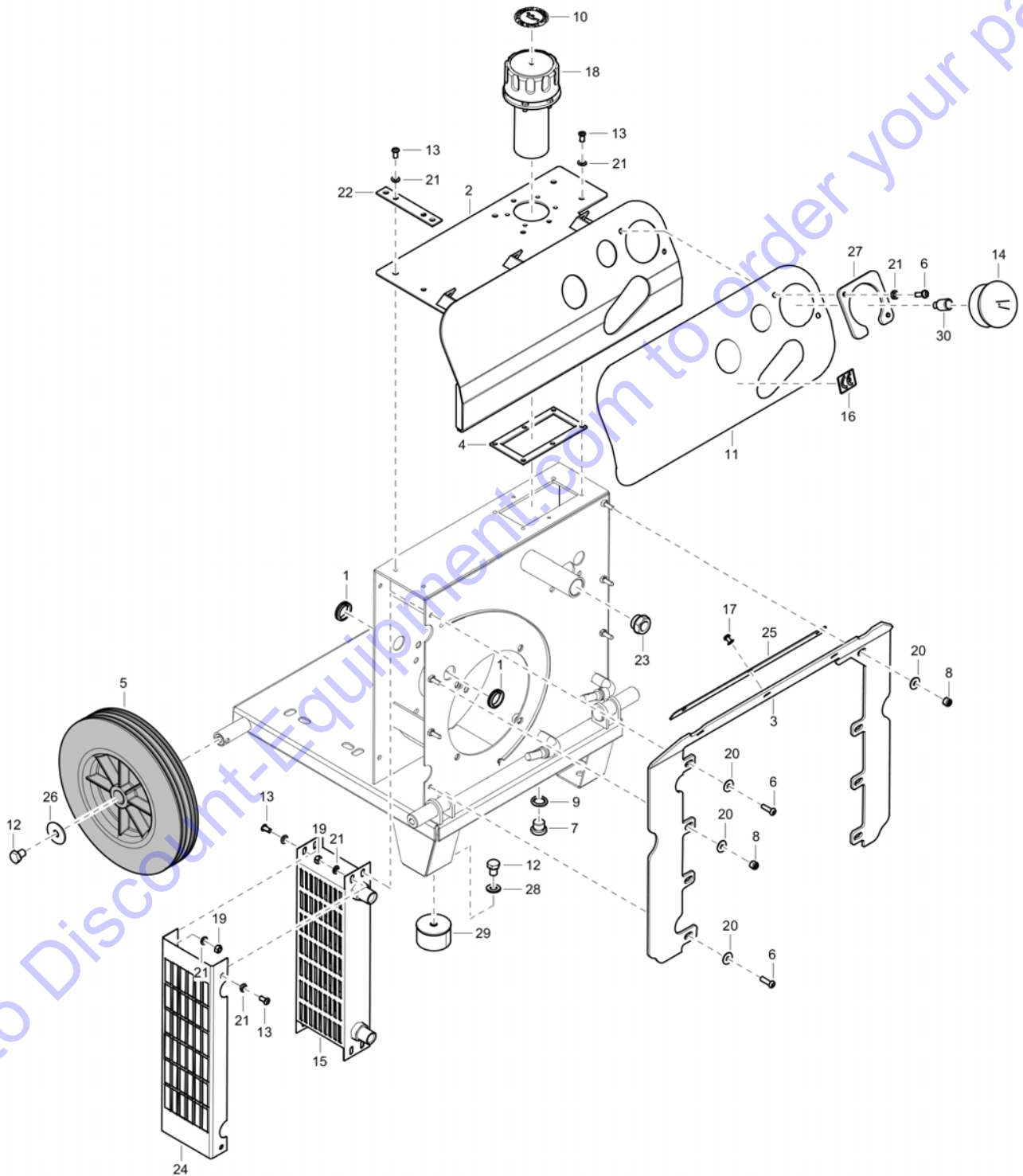
Go to Discount-Equipment.com to order your parts



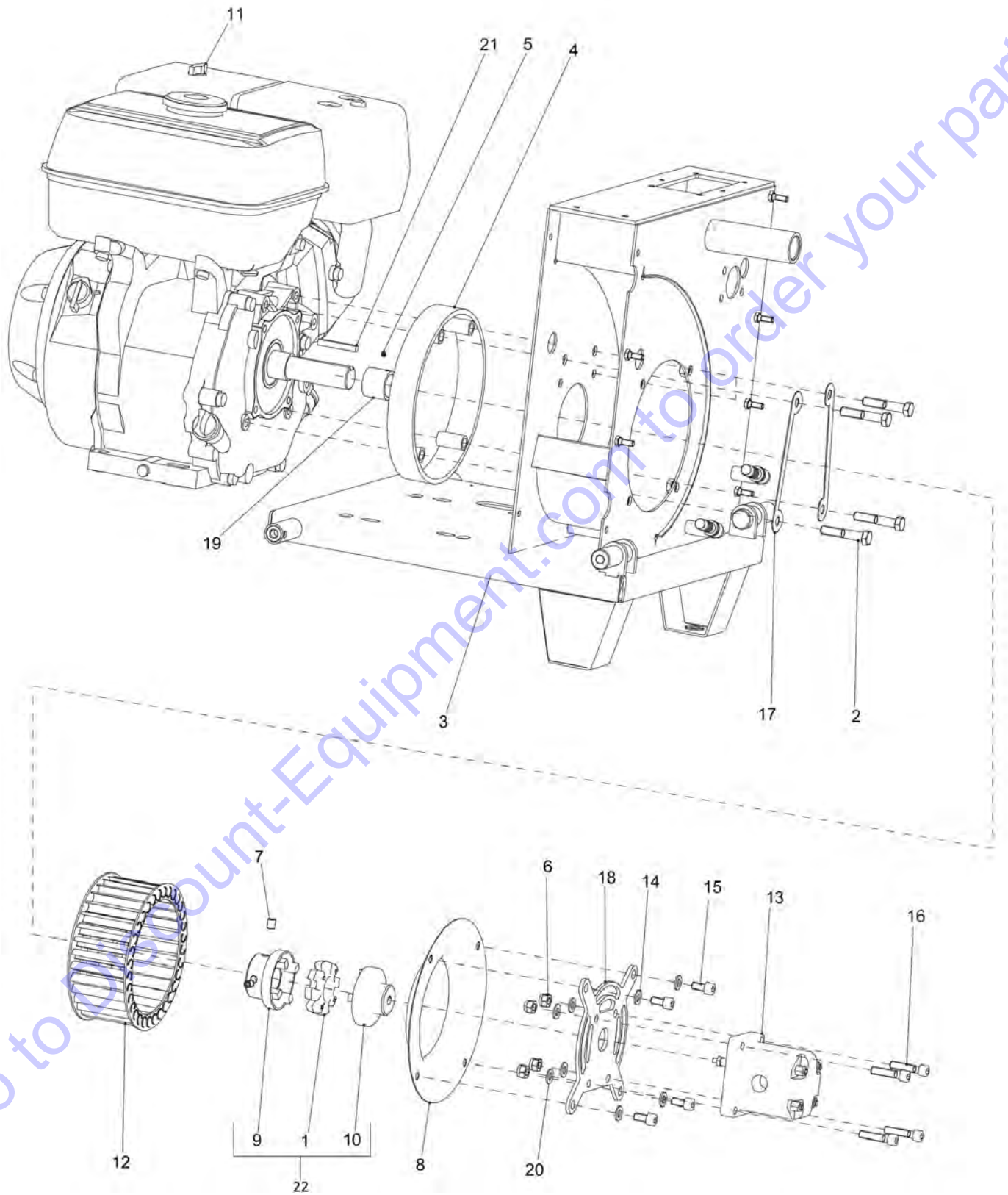
<b>Id</b>	<b>Qty</b>	<b>Number</b>	<b>Name</b>	<b>Specifications</b>
10	1	3377800896	FRAME	
20	1	3377800897	HANDLE PAC P 9	
30	1	3377800899	Hydraulic tank - chassis assembly	
40	1	3377800900	REAR FRAME	
50	1	3377800901	REAR PLATE	
60	1	3377800182	Edge trim	
70	1	3371896101	NOISE LABEL LWA=101DB	
80	2	3371805507	PLASTIC PIPE PLUG	
90	6	0147136703	HEX. BOLT	
100	10	0301234400	FLAT WASHER 10.5X21X2.0	
110	2	0291111100	LOCKNUT:M 10 ZN PLT,\$STL W/NYL	
120	1	3377800898	COVER	
130	1	3377800904	PAC P 9+ CP LOGO DECAL	
140	1	3377800181	EDGE TRIM L-440 MM	
150	1	3377021442	EDGE TRIM	
160	1	3371897259	LIFTING POINT LABEL	

Go to Discount-Equipment.com to order your parts



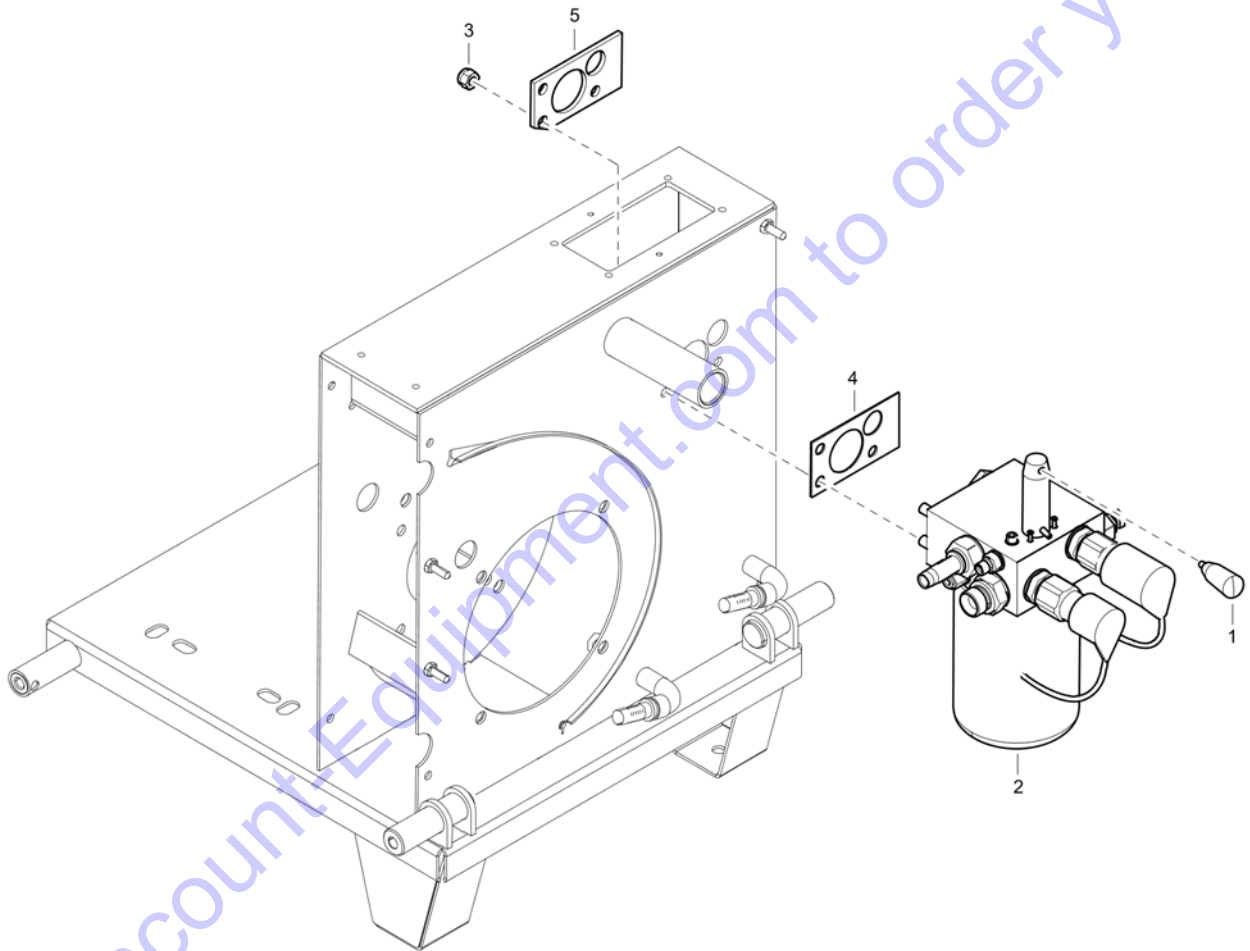


<b>Id</b>	<b>Qty</b>	<b>Number</b>	<b>Name</b>	<b>Specifications</b>
1	2	3377005087	RUBBER GROMMET	
2	1	3377800443	Front panel - fixed	
3	1	3377021510	HEAT SHIELD	
4	1	3377801199	TOP SEALING GASKET	
5	2	3377000412	WHEEL	
6	4	0215001073	HEX SOCK. SCREW M6 X 20	
7	1	0686644207	HEXAGON PLUG WITH SEAL G1/4	
8	6	0291110800	LOCK NUT M6 FZB	
9	1	0661100040	SEALING WASHER 17.28X23.8	
10	1	3377800432	CAUTION, HYDRAULIC OIL ONLY	
11	1	3377800444	Label PAC P9-EU	
12	4	0147135803	SCR CAP HEX M10	
13	12	0215000380	HEX SOCK. SCREW	
14	1	3377005067	Filter gauge complete	
15	1	3377005068	Oil cooler	
16	1	3371897245	DECAL "CE"	
17	3	3377021813	RIVET 4.8X14 AL/ST	
18	1	3377021822	Fill in cap	
19	8	0266210800	HEXAGON NUT	
20	8	0300027464	PLAIN WASHER	
21	22	0301232700	WASHER-FLAT:M 6.70/16.0X1.5T,N	
22	1	3377000506	SEAL	
23	1	0872211502	GAUGE LEVEL	
24	1	3377000027	Cooler guard	
25	1	3377800504	Plate clamping	
26	2	3377104010	WASHER 3/8X35	
27	1	3377021155	BRACKET F. MANOMETER 63	
28	2	0301234400	FLAT WASHER 10.5X21X2.0	
29	2	3377000405	RUBBER FEET	
30	1	3377000404	FITTING 04	



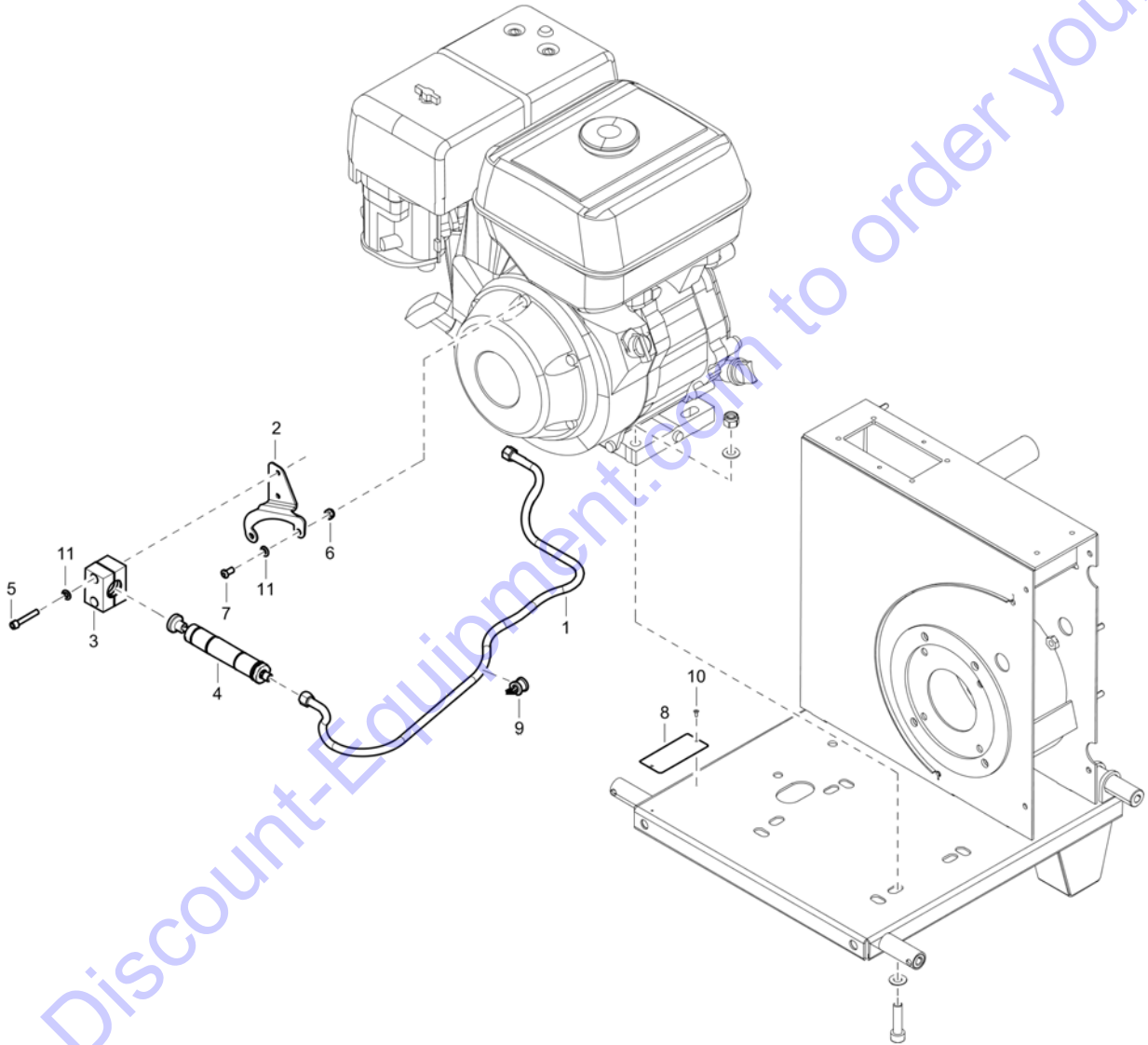
Id	Qty	Number	Name	Specifications
22	1	3377801434	COUPLING	
1	1	3310102603	Spider	
9	1		Engine half coupling	
10	1		Pump half coupling	
2	4	0144329203	SCREW	
3	1	3377021508	Chassis	
4	1	3377000408	Spacer ring	
5	1	0196116600	Set screw	
6	4	0291110700	LOCKNUT:M 5 ZN PLT,\$STL W/NYL	
7	2	0196131900	SCREW	
8	1	3377001438	Fan inlet ring	
11	1	3377000409	Engine	
12	1	3377002581	Fan	
13	1	3377801433	PUMP	
14	8	0301233500	PLAIN WASHER	
15	4	0211132203	Hex sock. Screw	
16	4	0211132703	HEX SOCK. SCREW	
17	2	3377000792	NAB	
18	1	3377003387	Pump plate	
19	1	3377000030	bushing	
20	1	0301234400	FLAT WASHER 10.5X21X2.0	
21	1	3377000568	PARALLEL KEY B	

Go to Discount-Equipment.com to order your parts



<b>Id</b>	<b>Qty</b>	<b>Number</b>	<b>Name</b>	<b>Specifications</b>
1	1	3377000459	Handle f/valve block	
2	1	3310102678	Hydraulick block, complete	
3	3	0291110700	LOCKNUT:M 5 ZN PLT,\$STL W/NYL	
4	1	3377004051	SEAL	
5	1	3377004050	CLAMP PLATE	

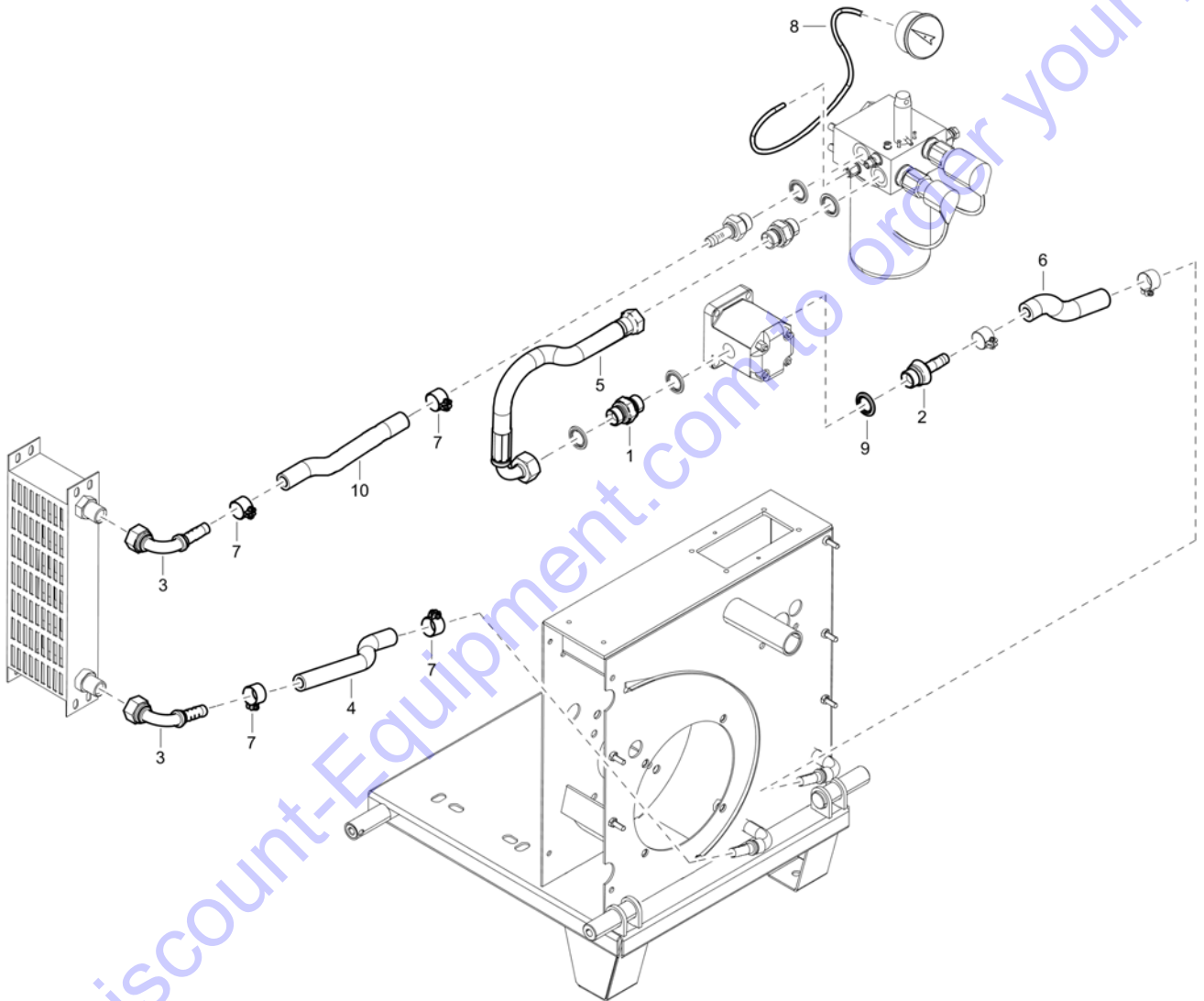
Go to Discount-Equipment.com to order your parts



<b>Id</b>	<b>Qty</b>	<b>Number</b>	<b>Name</b>	<b>Specifications</b>
1	1	3377050695	Hose POD 1/8"-1/8"	
2	1	3377000205	BRACKET POD	
3	1	3377000425	Pipe holder	
4	1	3310102514	POD COMPLETE	
5	2	0211125103	HEX SOCK. SCREW	
6	2	0291110800	LOCK NUT M6 FZB	
7	2	0215000380	HEX SOCK. SCREW	
8	1	3371896058	ID-tag	
9	1	3377005711	CLIP	
10	2	4700185996	RIVET-D 2,4X6 DIN 7337A	
11	4	0301232700	WASHER-FLAT:M 6.70/16.0X1.5T,N	

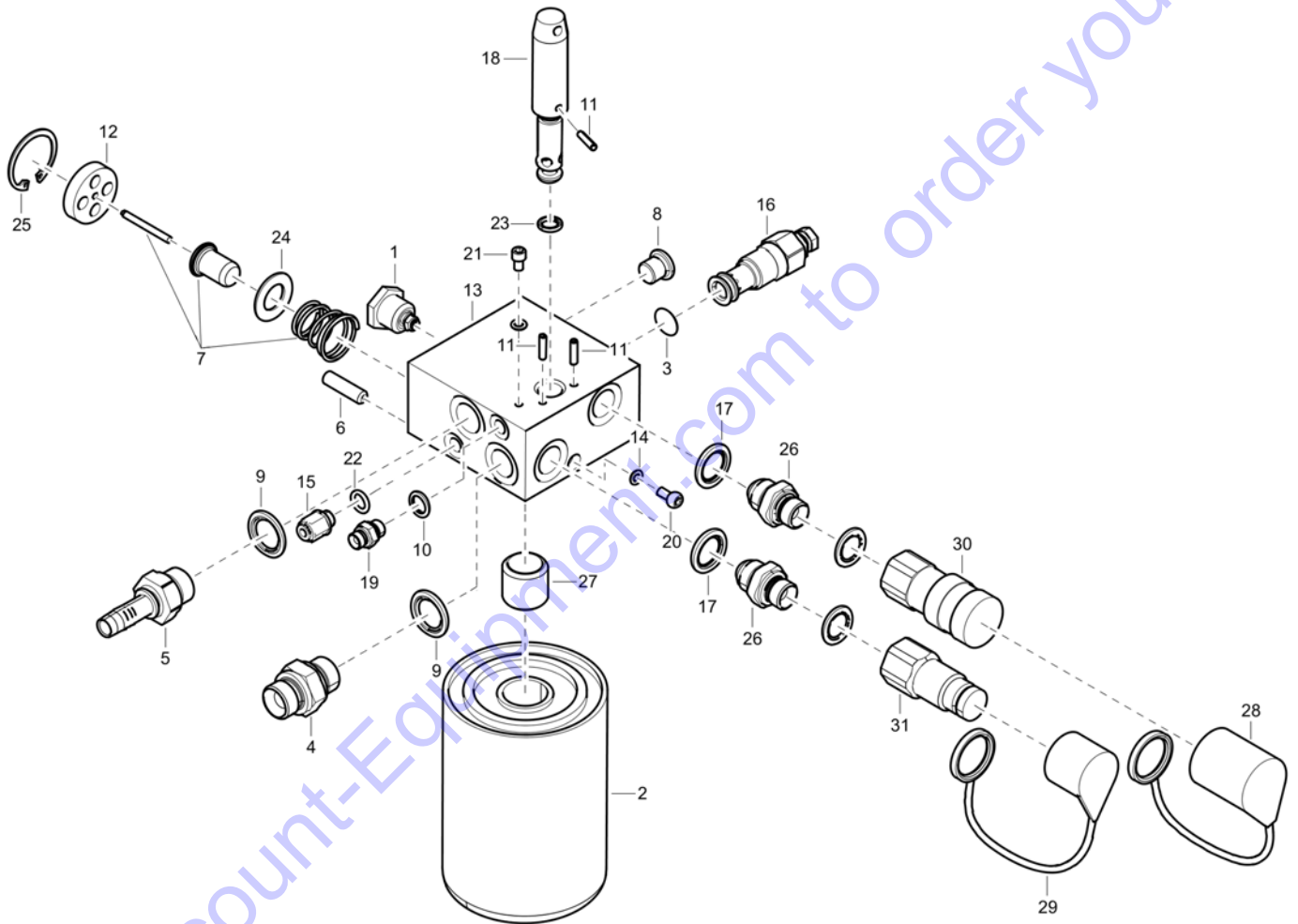
Go to Discount-Equipment.com to order your parts





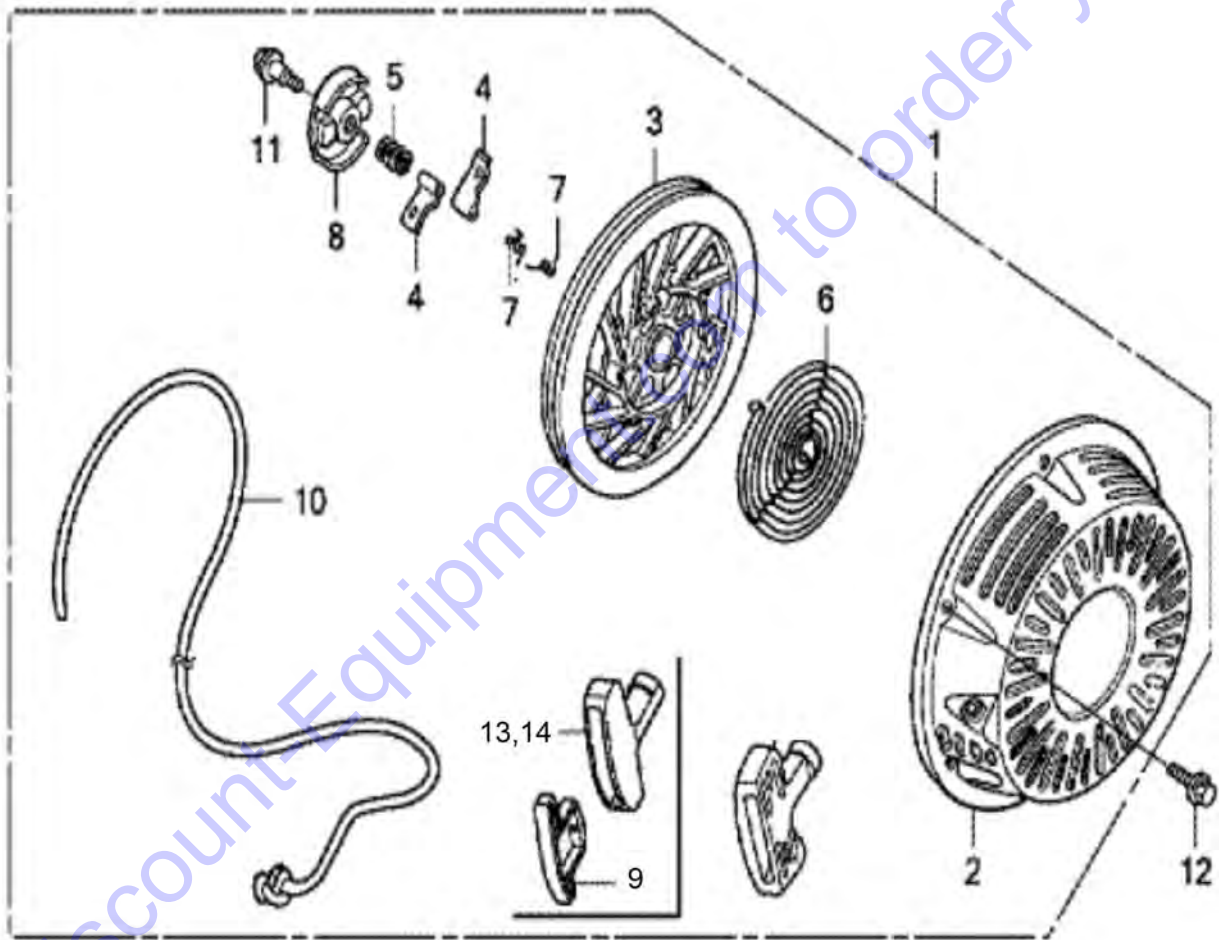
<b>Id</b>	<b>Qty</b>	<b>Number</b>	<b>Name</b>	<b>Specifications</b>
1	1	0603420019	FITTING	
2	1	3377000433	Hose nipple	
3	2	3377000427	Coupling 08-08 hitrak	
4	1	3377800175	Hose	
5	1	3377800174	Hose	
6	1	3377800176	Hose	
7	4	3377000790	HOSE CLIP 21/15	
8	1	3377800177	GAUGE HOSE	
9	3	0661100039	SEALING WASHER 21.54X28.58	
10	1	3377000429	COOLER FEED LINE	

Go to Discount-Equipment.com to order your parts



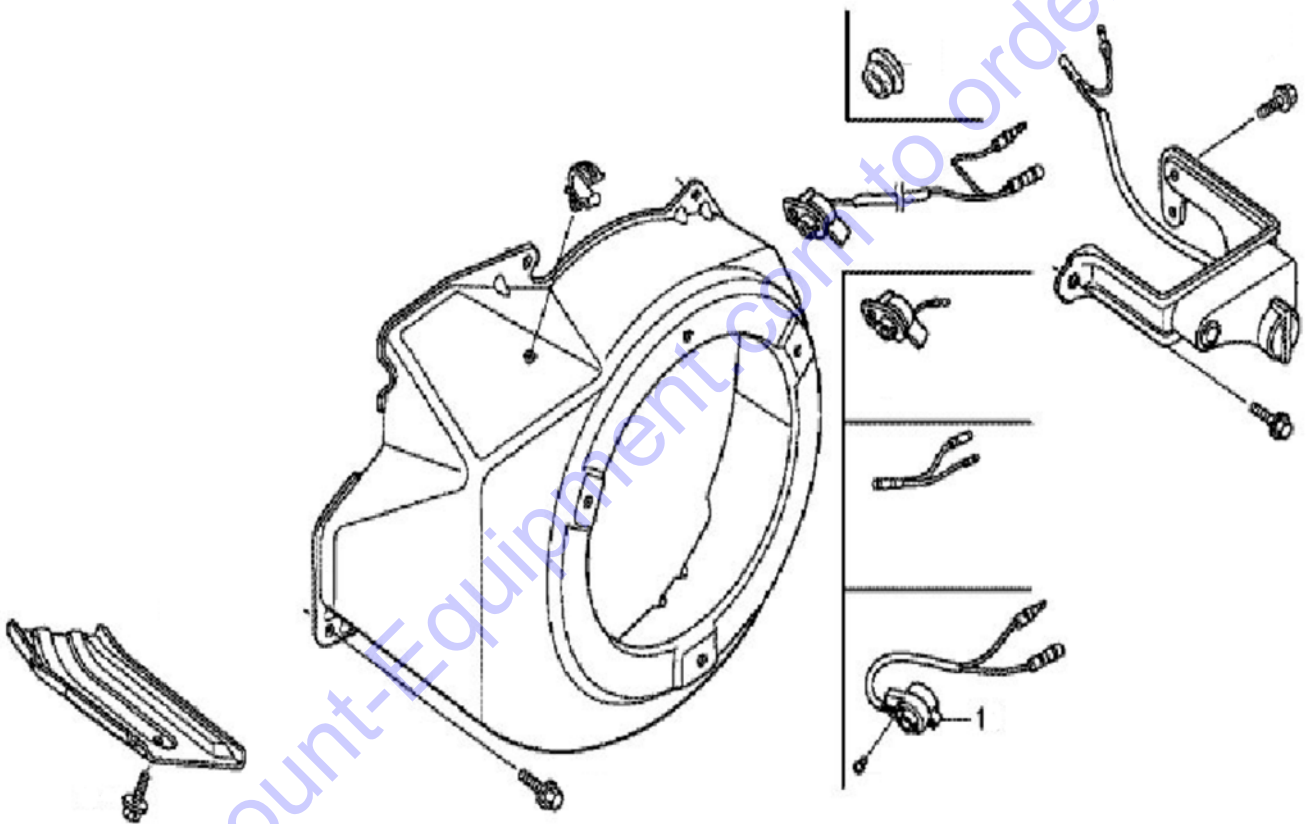
Go to Discount-Equipment.com to order your parts

<b>Id</b>	<b>Qty</b>	<b>Number</b>	<b>Name</b>	<b>Specifications</b>
1	1	3377004747	BY-PASS VALVE	
2	1	3377021787	OIL FILTER 25 MIKRON	
3	1	3377000588	FILTER WASHER	
4	1	0603420019	FITTING	
5	1	3377000433	Hose nipple	
6	3	0196132600	SET SCREW	
7	1	3377005082	THERMOSTAT COMPLETE	
8	1	0686644207	HEXAGON PLUG WITH SEAL G1/4	
9	2	0661100039	SEALING WASHER 21.54X28.58	
10	2	0661100042	SEALING WASHER 15.88X10.37	
11	3	0108123800	SPRING PIN	
12	1	3377004084	thermostat end cap	
13	1	3377021414	VALVE BLOCK	
14	2	3377005113	SEAL RING 5/9X1	
15	1	3377000435	FITTING 02	
16	1	3377005172	PRESSURE RELIEF VALVE	
17	2	0661100090	SEAL WASHER	
18	1	3377021501	SPOOL	
19	1	0603420051	HEXAGON NIPPLE	
20	1	0211120403	Screw	
21	1	0211120303	HEX. SOCK. SCREW	
22	1	0663211970	O-RING	
23	1	9125621500	O - RING # 9,6X2,4 90 SHORE	
24	1	3377100016	WASHER 5/8	
25	1	0335213700	CIRCLIP	
26	2	3377222311	ADAPTOR 12-06	
27	1	3377025263	Adaptor	
28	1	3371805733	PROTECTIVE CAP 1/2" FEMA	
29	1	3371805732	PROTECTIVE CAP 1/2" MALE	
30	1	3371805137	Q.R. coupling 06 female	
31	1	3371805138	Q.R. coupling 06 male	



<b>Id</b>	<b>Qty</b>	<b>Number</b>	<b>Name</b>	<b>Specifications</b>
1	1	3377800778	STARTER ASSY., RECOIL R280	
2	1	3377800779	CASE COMP. RECOIL STARTER	
3	1	4700937462	PULLEY	
4	2	4700937463	SNAP HOOK	
5	1	4700937464	SPRING	
6	1	4700937465	STARTER SPRING	
7	2	4700937466	SPRING	
8	1	4700937467	SUPPORT	
9	1	3377800787	GRIP, REINFORCEMENT	
10	1	3377800777	ROPE, RECOIL STARTER	
11	1	4700937471	SCREW	
12	3	3382015795	BOLT, FLANGE, 6X10	
13	1	3382015796	GRIP, STARTER	
14	1	3377800786	GRIP, STARTER (FOR USA)	

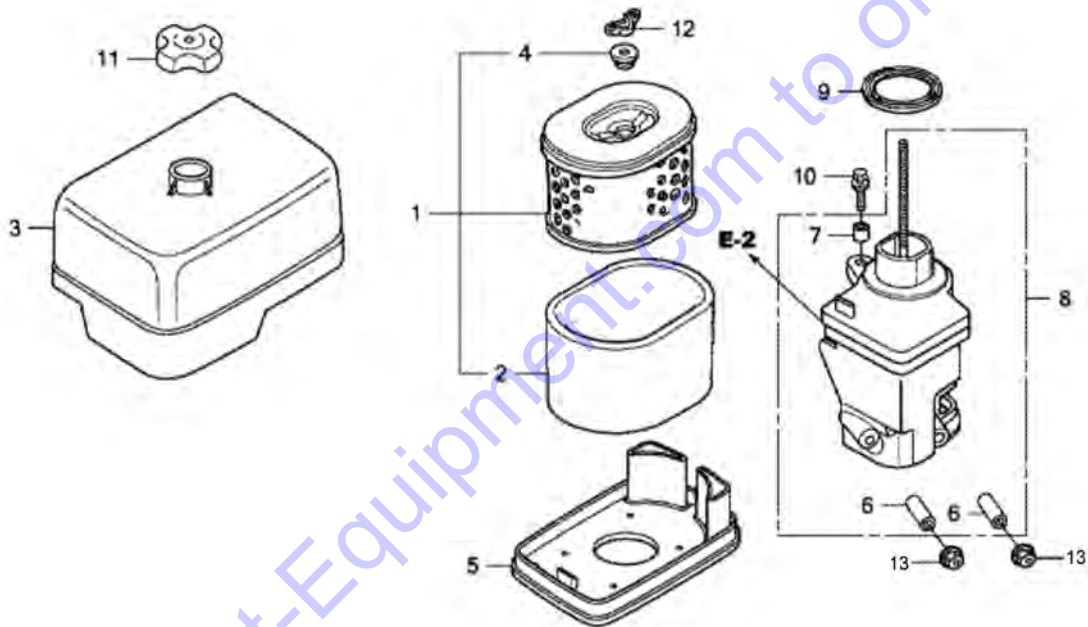
Go to Discount-Equipment.com to order your parts



Id	Qty	Number	Name	Specifications

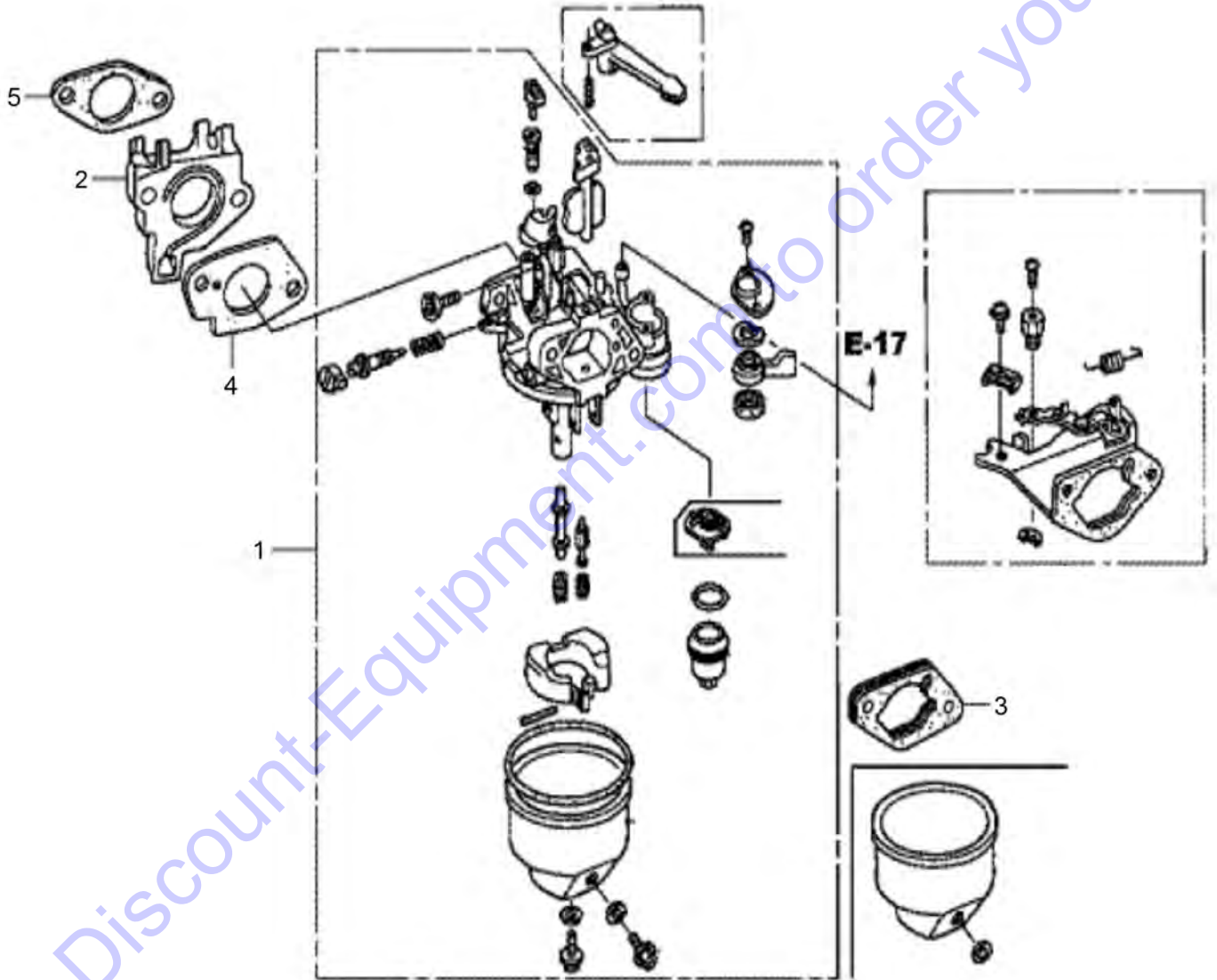
Go to [Discount-Equipment.com](https://Discount-Equipment.com) to order your parts





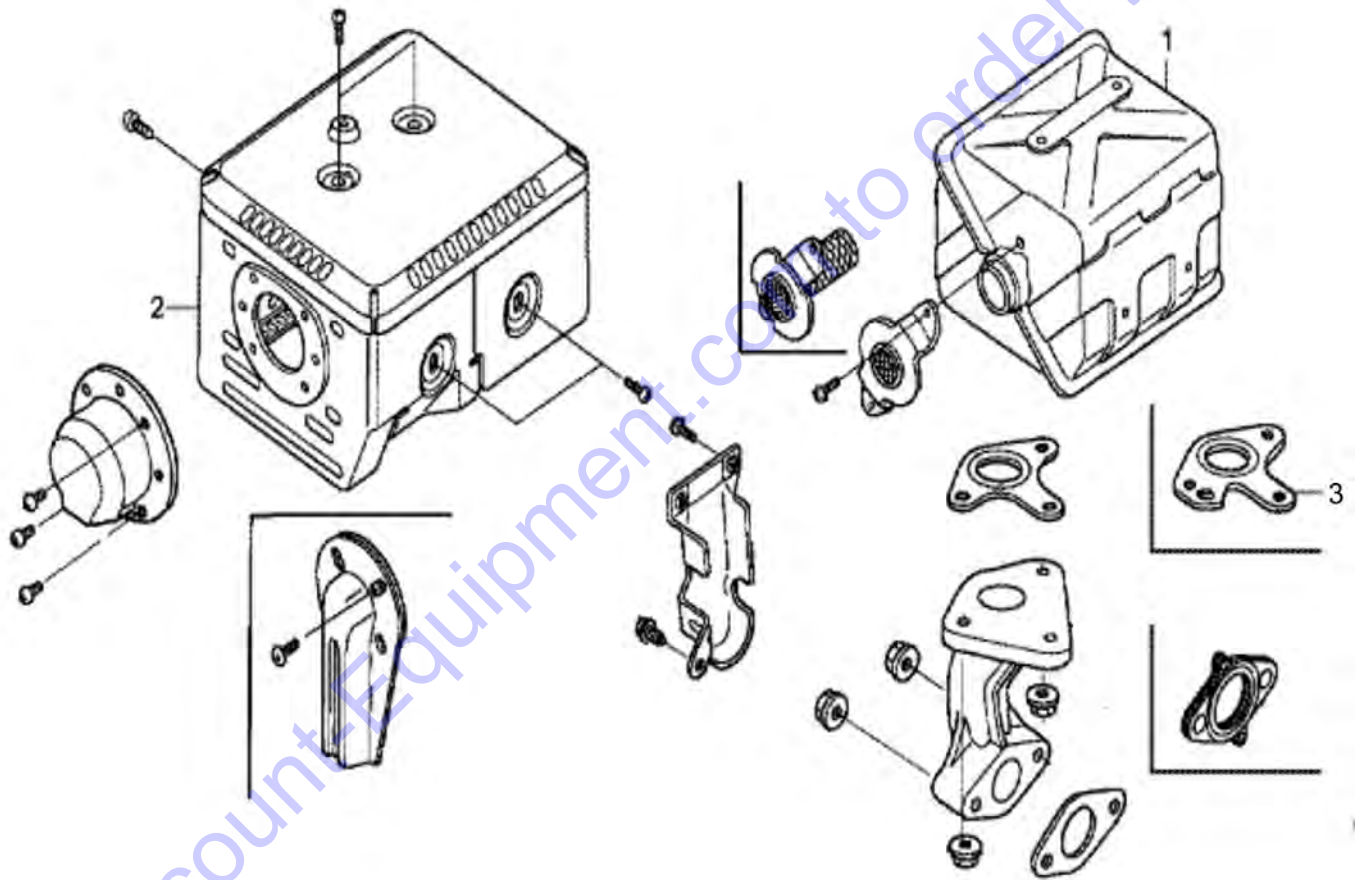
<b>Id</b>	<b>Qty</b>	<b>Number</b>	<b>Name</b>	<b>Specifications</b>
1	1	3377800784	ELEMENT, AIR CLEANER (DUAL)	
2	1	4700361267	AIR FILTER FOAM	
3	1	3377800822	COVER, AIR CLEANER CASE	
4	1	4700239772	GASKET	
5	1	3377800824	NOSE, SILENCER	
6	2	3382015780	COLLAR, AIR CLEANER	
7	1	3382015781	COLLAR B, AIR CLEANER	
8	1	3377800840	ELBOW COMP., AIR CLEANER	
9	1	4700937498	GASKET	
10	1	3382015783	BOLT-WASHER, 6X22	
11	1	3377800823	NUT, AIR CLEANER COVER	
12	1	4700239771	NUT	
13	2	3382015788	NUT, FLANGE, 6MM	

Go to Discount-Equipment.com to order your parts



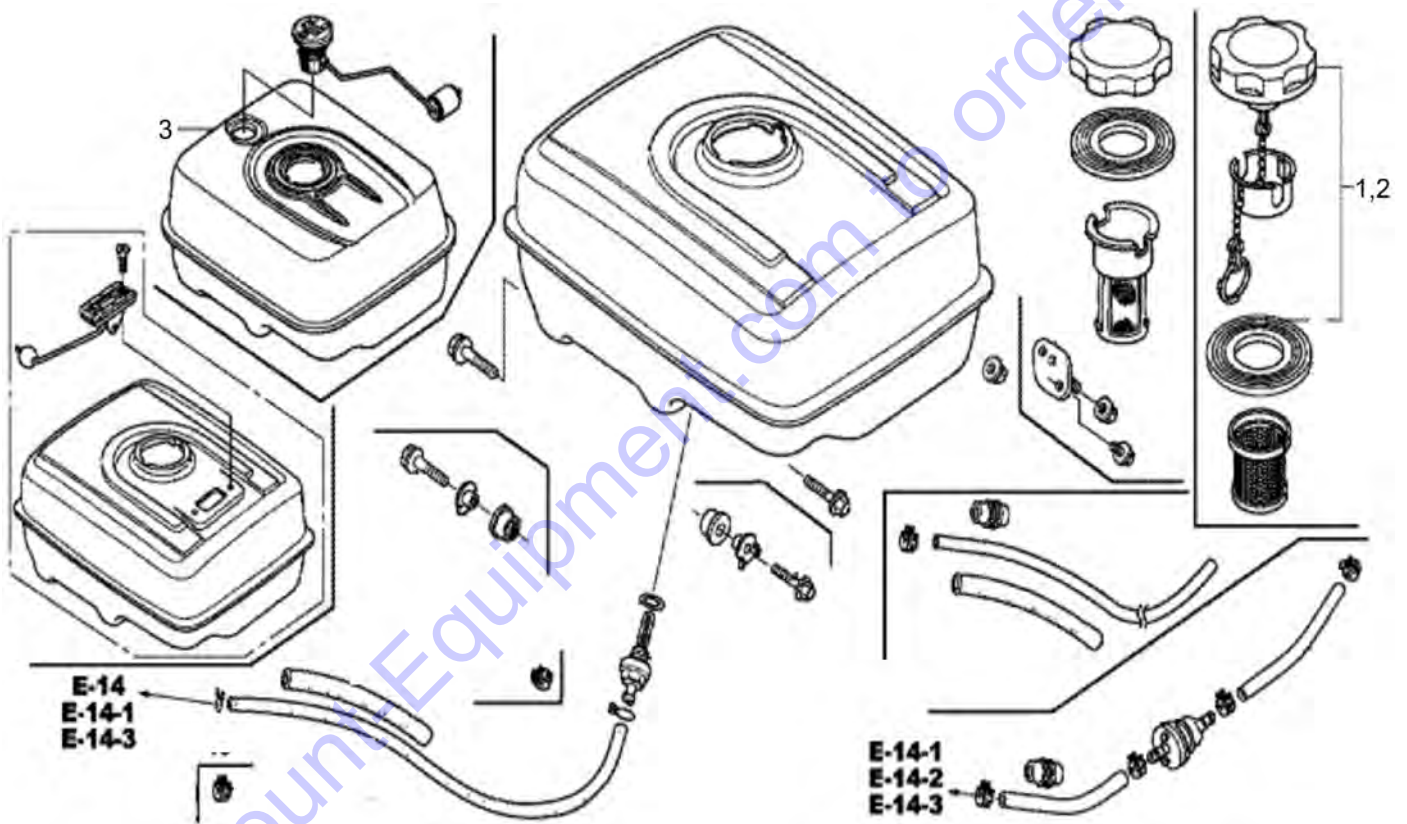
<b>Id</b>	<b>Qty</b>	<b>Number</b>	<b>Name</b>	<b>Specifications</b>
1	1	3377800780	CARBURETOR ASSY. (BE21J A)	
2	1	3377800781	INSULATOR, CARBURETOR	
3	1	4700937485	SPACER	
4	1	3377800782	PACKING, CARBURETOR	
5	1	3377800783	PACKING, INSULATOR	

Go to Discount-Equipment.com to order your parts



<b>Id</b>	<b>Qty</b>	<b>Number</b>	<b>Name</b>	<b>Specifications</b>
1	1	4700937502	MUFFLER CPL	
2	1	3377800841	PROTECTOR COMP. MUFFLER	
3	1	3382100198	GASKET HONDA GX 270	

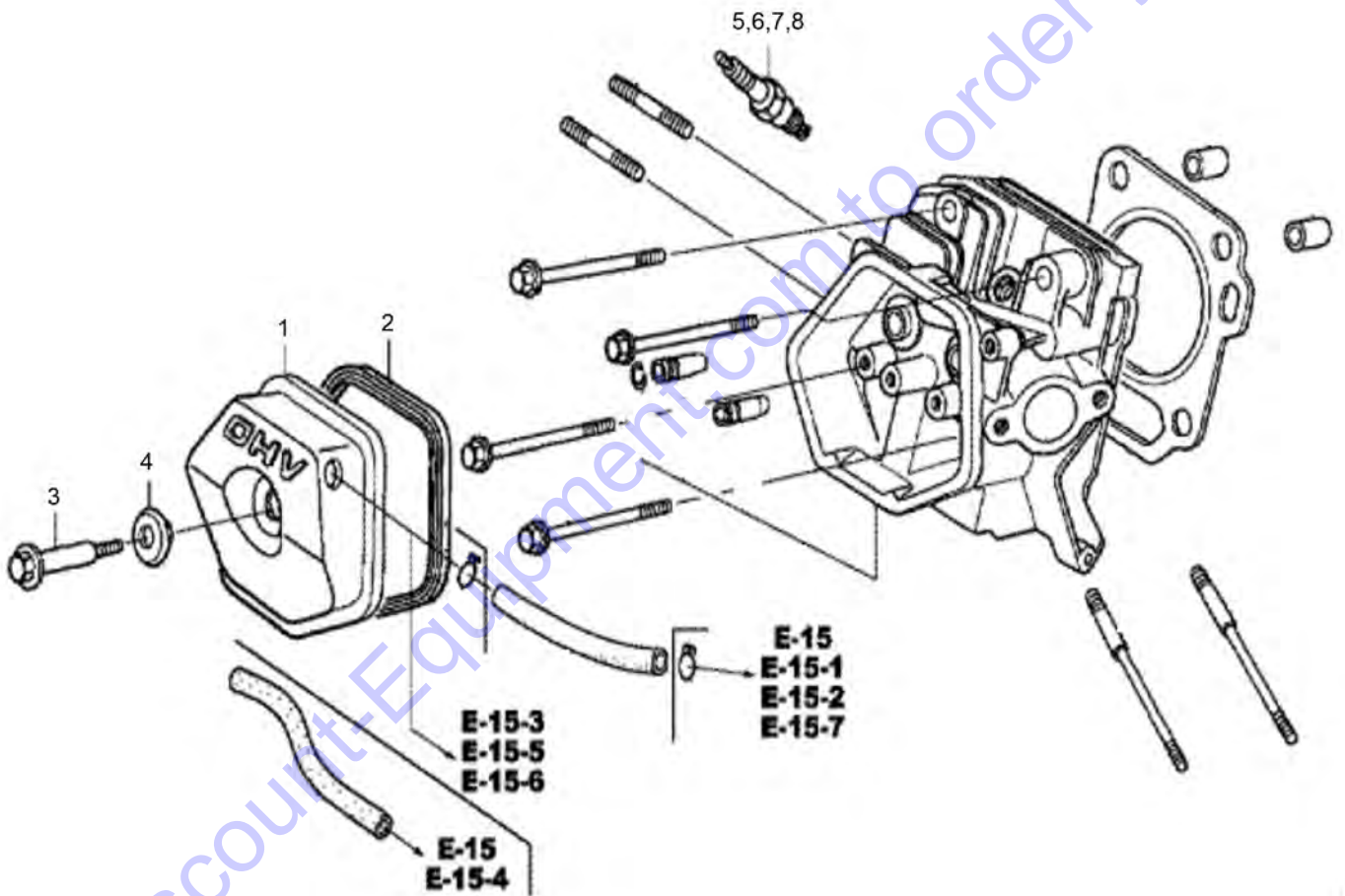
Go to Discount-Equipment.com to order your parts



<b>Id</b>	<b>Qty</b>	<b>Number</b>	<b>Name</b>	<b>Specifications</b>
1	1	3377800831	CAP COMP., FUEL FILLER	
2	1	3377800832	CAP COMP., FUEL FILLER	
3	1	3377800842	TANK COMP., FUEL NH31	

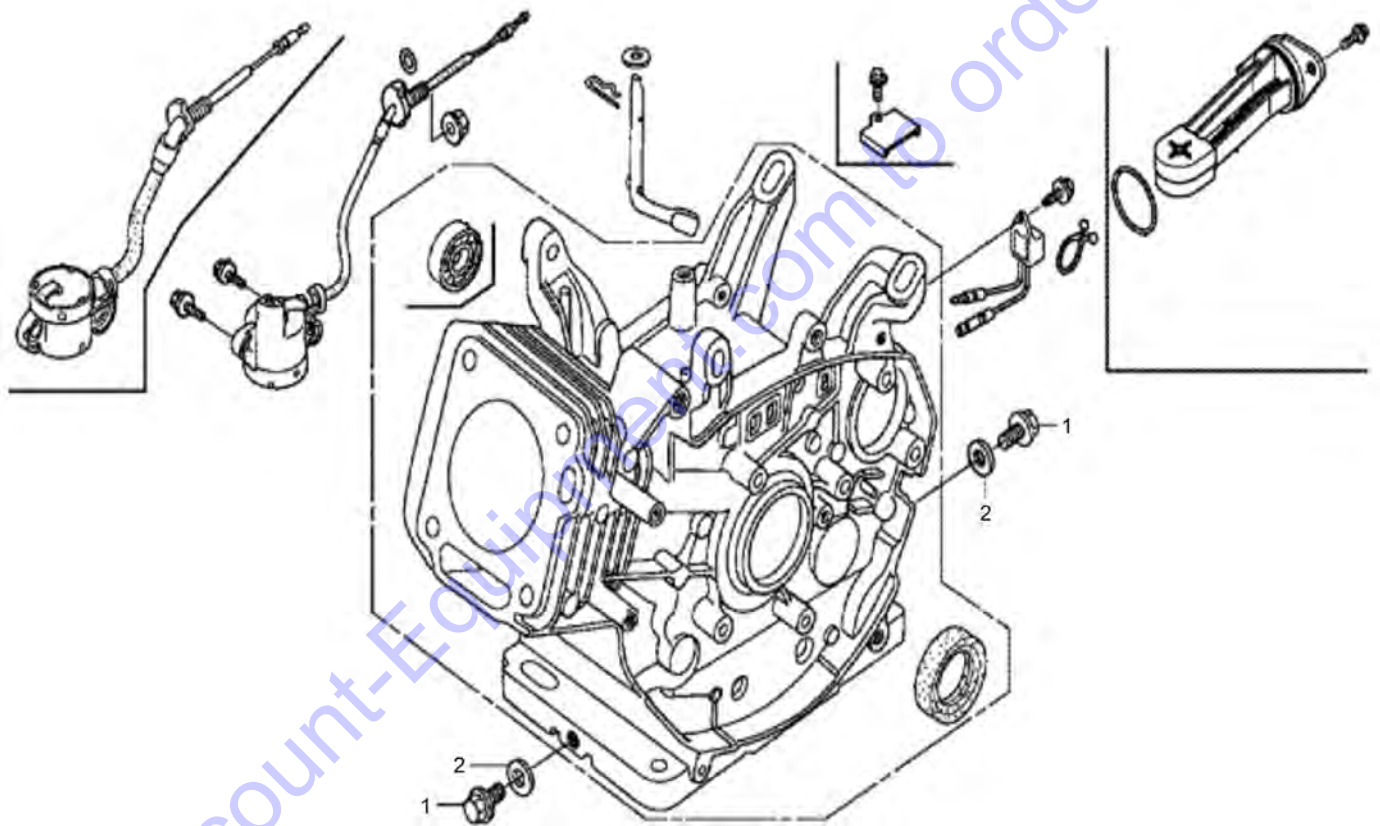
Go to Discount-Equipment.com to order your parts





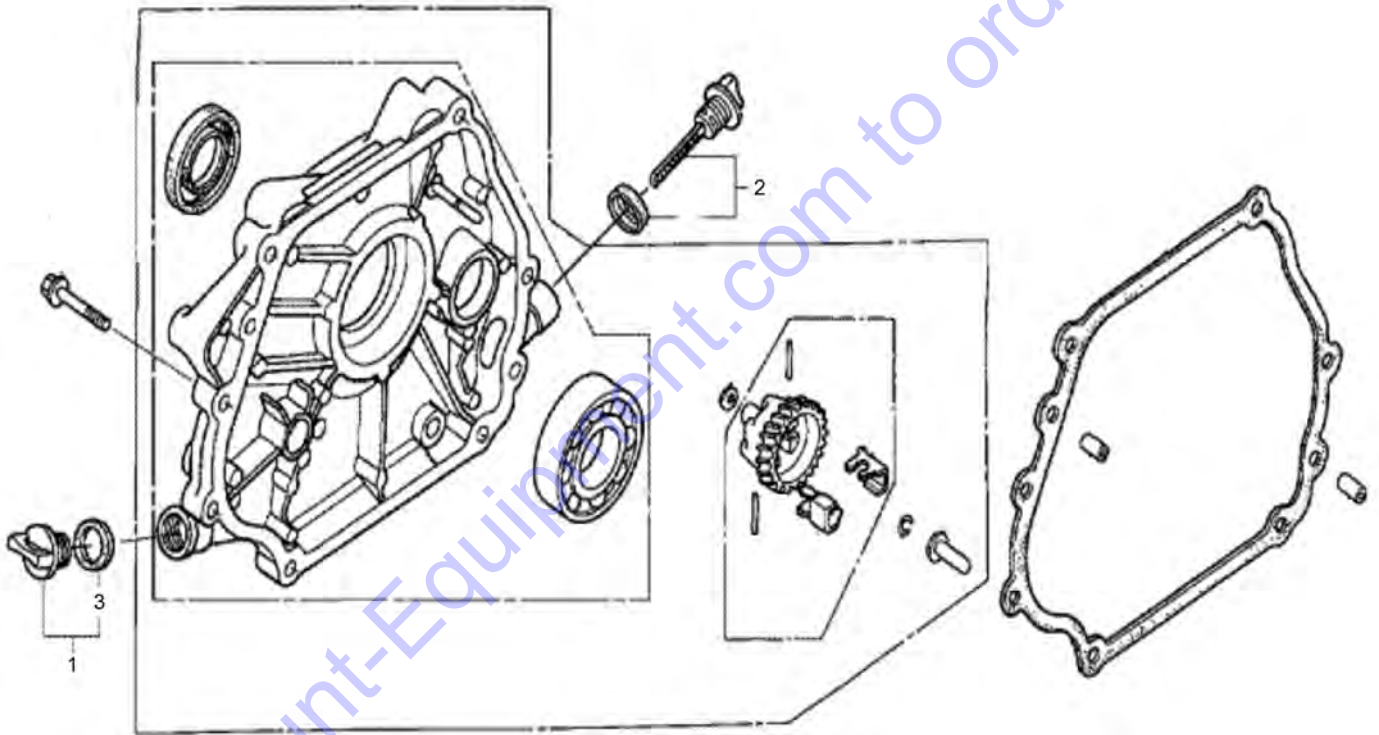
<b>Id</b>	<b>Qty</b>	<b>Number</b>	<b>Name</b>	<b>Specifications</b>
1	1	3382100200	VALVE COVER HONDA GX 270	
2	1	3382100022	GASKET	
3	1	3382015806	BOLT, HEAD COVER	
4	1	3382015807	WASHER COMP., HEAD COVER	
5	1	3382100054	SPARK PLUG	
6	1	3382015808	PLUG, SPARK (W16EPR-U) (DENSO)	
7	1	3382015809	Plug, spark (bpr5es) (ngk)	
8	1	3382100167	SPARK PLUG	

Go to [Discount-Equipment.com](https://Discount-Equipment.com) to order your parts



<b>Id</b>	<b>Qty</b>	<b>Number</b>	<b>Name</b>	<b>Specifications</b>
1	2	3382100202	OIL DRAIN PLUG HONDA GX 270	
2	2	3382100058	GASKET FOR OIL DRAIN PLUG	

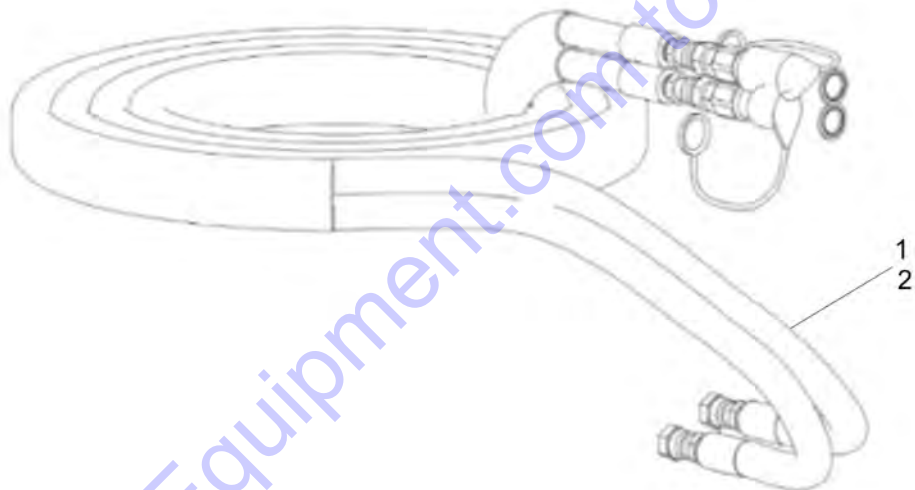
Go to [Discount-Equipment.com](https://Discount-Equipment.com) to order your parts



<b>Id</b>	<b>Qty</b>	<b>Number</b>	<b>Name</b>	<b>Specifications</b>
1	1	3382015810	CAP ASSY., OIL FILLER (BLACK)	
2	1	3382100199	OIL DIPSTICK, COMPLETE GX 270	
3	1	3382015197	PACKING, OIL FILLER CAP	

Go to Discount-Equipment.com to order your parts

Description	Length		Diameter		Weight	Comments	Part number
	m	ft	mm	in	kg <sup>1)</sup>		
Hydraulic twin-extension hose	7.0	23	12.5	½	8.3	Incl. ½ inch Flat-Face quick-release couplings	1 3371 8010 87
	12.0	39	12.5	½	13.3	Incl. ½ inch Flat-Face quick-release couplings	13371 8010 89
	7.0	23	12.5	½	8.0	Incl. ½ inch BSP female connection for direct mounting	13371 8010 82
Double connection hoses	1.6	5	12.5	½	1.7	-	2 3371 8011 90



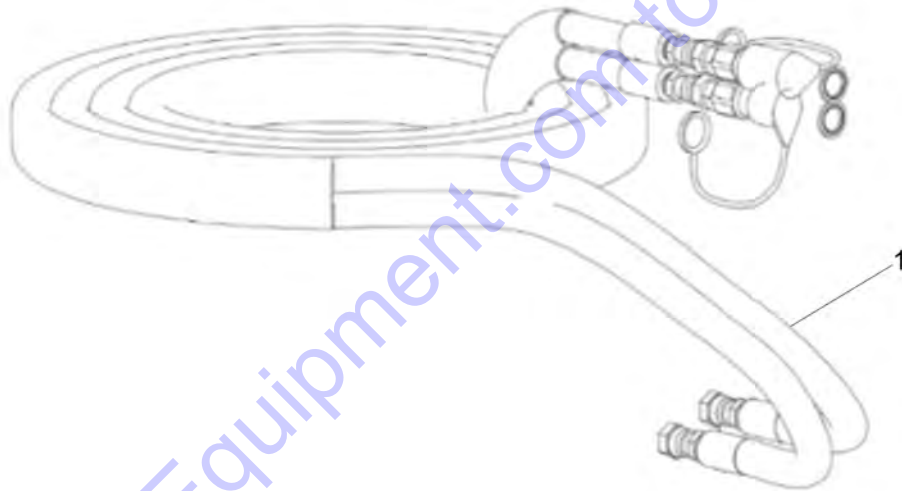
For tech. details check next page



<b>Id</b>	<b>Qty</b>	<b>Number</b>	<b>Name</b>	<b>Specifications</b>
1	1	3371801087	7 m Twin extension hose	
1	1	3371801089	12 m Twin extension hose	
1	1	3371801082	7 m Twin hose	
2	1	3371801190	1.6 M TAIL-HOSE SET	

Go to Discount-Equipment.com to order your parts

Description	Length	Diameter	Weight	Comments	Part number
	ft	in	lbs		
Hydraulic twin-extension hose	30	½	22	½" pressure and ¾" return hose with ½" flat-face quick release couplings	9246 0204 98
Hydraulic twin-extension hose	50	½	37		9246 0204 99
Hydraulic twin-extension hose	15	½ & ¾	12	½" pressure and ¾" return hose with ½" flat-face male and female quick release couplings connect to Chicago Pneumatic handheld hydraulic units and the ¾" male and female flat faced couplings connects to PTO	9246 0205 02
Hydraulic twin-extension hose	30	½ & ¾	24		9246 0205 03
Hydraulic twin-extension hose	50	½ & ¾	37		9246 0205 04



For tech. details check next page

<b>Id</b>	<b>Qty</b>	<b>Number</b>	<b>Name</b>	<b>Specifications</b>
1	1	9246020498	Hydraulic twin-extension hose	
1	1	9247020499	Hydraulic twin-extension hose	
1	1	9246020502	Hydraulic twin-extension hose	
1	1	9246020503	HYD HOSE ASSY 30'X1/2"X3	
1	1	9246020504	Hydraulic twin-extension hose	

Go to Discount-Equipment.com to order your parts



<b>Id</b>	<b>Qty</b>	<b>Number</b>	<b>Name</b>	<b>Specifications</b>
1	1	3310101858	WHIP CHECK 1/2"-1.1/4",L=540mm	
1	1	3310101859	WHIP CHECK 1.1/2"-3",L=965mm	
1	1	3310101860	WHIP CHECK 3"-6",L=1150mm	
2	1	3310102546	WHIPCHECK PRO 1/2 - 4",L=500MM,BS=1000KG	

Go to Discount-Equipment.com to order your parts

