



**Discount  
Equipment**

[www.discount-equipment.com](http://www.discount-equipment.com)

---

|                |   |
|----------------|---|
| Filter         | 3392524801,PUN 000001 - 280000   3392524801,PN2 270001 -  |
| Identity       | 3392524801  |
| Specifications | Product number: 1801404001, Product number: 1801405001, Division: Portable Air, Product group: Hydraulic handheld, Product type: Hydraulic post and ground rod drivers and pullers , Product: PDR CP Post Driver, Product Company: Chakan |

# PARTS FINDER

**Search Website  
by Part Number**



**Search Manual  
Library For Parts  
Manual & Lookup Part  
Numbers – Purchase  
or Request Quote**

**Search Manuals**

Enter your information to help us find the right parts manual for your machine.

\* Brand:

\* Model:

\* Serial:

\* Part Number:

SEARCH

**Can't Find Part or  
Manual? Request Help  
by Manufacturer,  
Model & Description**

**Parts Order Form**

Please fill in the following information to help us find the right part for your machine.

|               |                      |
|---------------|----------------------|
| Manufacturer: | <input type="text"/> |
| Model:        | <input type="text"/> |
| Description:  | <input type="text"/> |
| Part Number:  | <input type="text"/> |
| Quantity:     | <input type="text"/> |
| Notes:        | <input type="text"/> |

Submit

Discount-Equipment.com is your online resource for quality parts & equipment.

Florida: **561-964-4949** Outside Florida TOLL FREE: **877-690-3101**

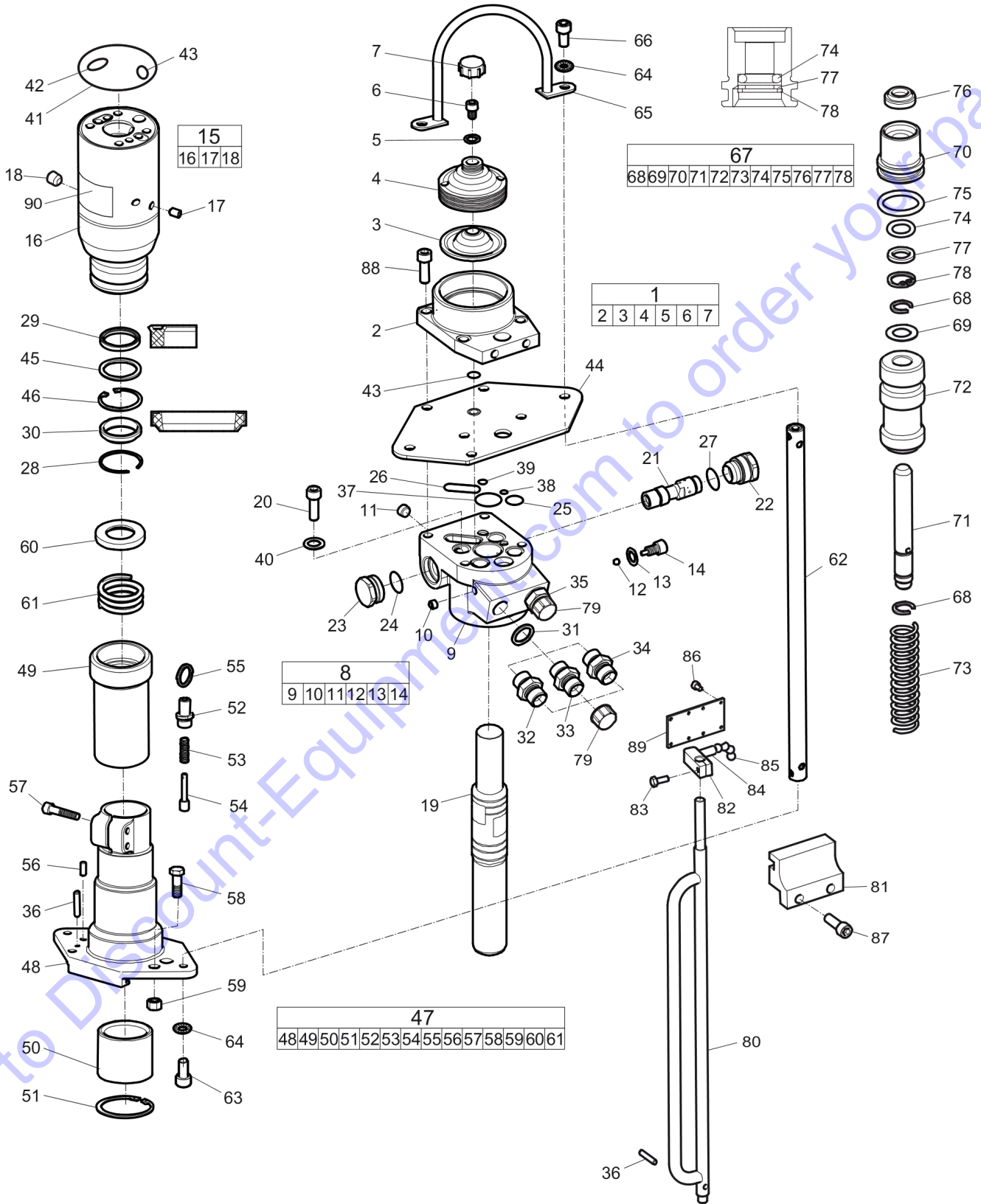
**Need parts?**

Click on this link: <http://www.discount-equipment.com/category/5443-parts/> and choose one of the options to help get the right parts and equipment you are looking for. Please have the machine model and serial number available in order to help us get you the correct parts. If you don't find the part on the website or on one of the online manuals, please fill out the request form and one of our experienced staff members will get back to you with a quote for the right part that your machine needs.

We sell worldwide for the brands: Genie, Terex, JLG, MultiQuip, Mikasa, Essick, Whiteman, Mayco, Toro Stone, Diamond Products, Generac Magnum, Airman, Haulotte, Barreto, Power Blanket, Nifty Lift, Atlas Copco, Chicago Pneumatic, Allmand, Miller Curber, Skyjack, Lull, Skytrak, Tsurumi, Husquvarna Target, Stow, Wacker, Sakai, Mi-T-M, Sullair, Basic, Dynapac, MBW, Weber, Bartell, Bennar Newman, Haulotte, Ditch Runner, Menegotti, Morrison, Contec, Buddy, Crown, Edco, Wyco, Bomag, Laymor, EZ Trench, Bil-Jax, F.S. Curtis, Gehl Pavers, Heli, Honda, ICS/PowerGrit, IHI, Partner, Imer, Clipper, MMD, Koshin, Rice, CH&E, General Equipment, Amida, Coleman, NAC, Gradall, Square Shooter, Kent, Stanley, Tamco, Toku, Hatz, Kohler, Robin, Wisconsin, Northrock, Oztec, Toker TK, Rol-Air, APT, Wylie, Ingersoll Rand / Doosan, Innovatech, Con X, Ammann, Mecalac, Makinex, Smith Surface Prep, Small Line, Wanco, Yanmar

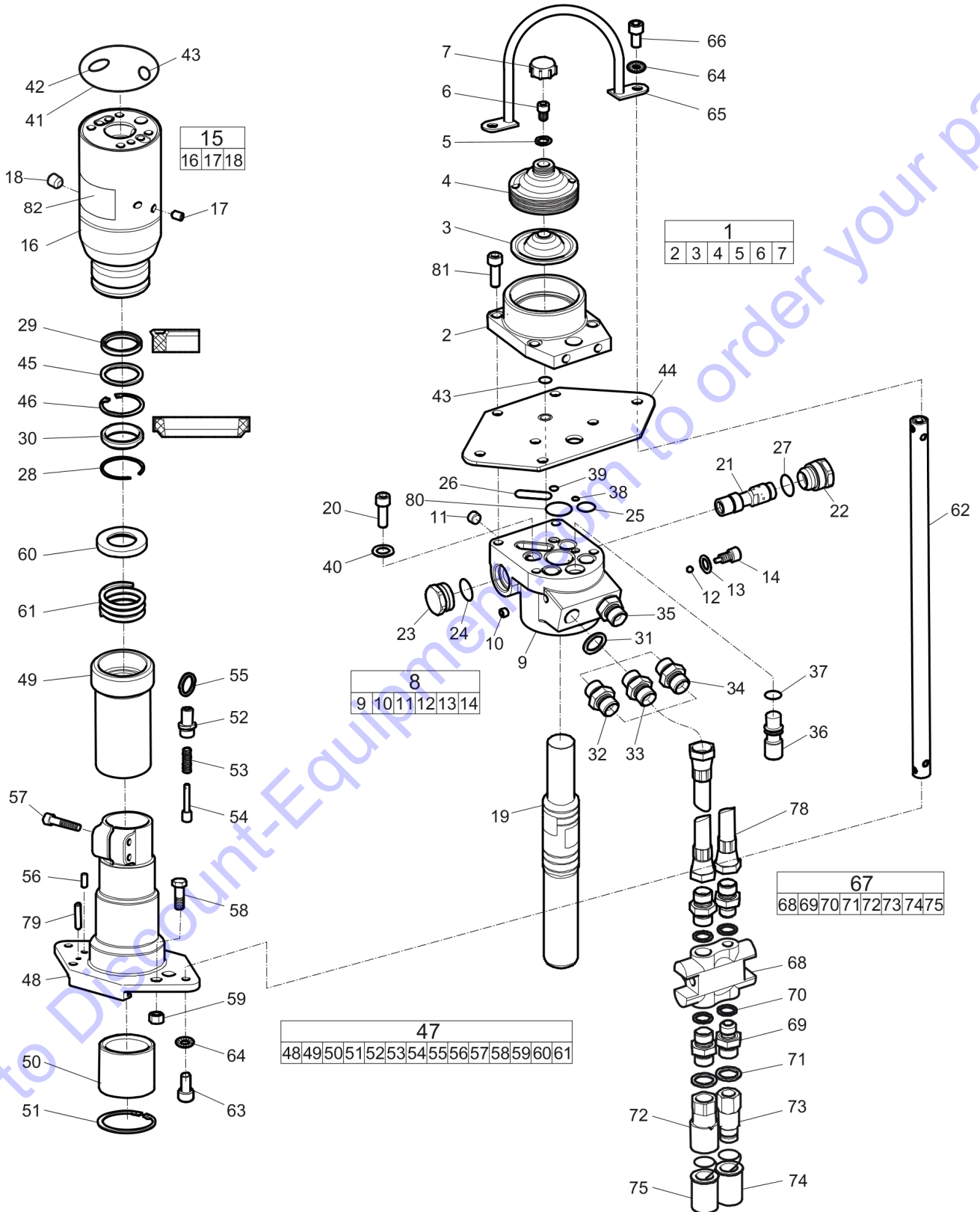
|                                    |                      |
|------------------------------------|----------------------|
| PDR 75 T                           | hhh_cp_PDR75T_04687  |
| PDR 75 RV                          | hhh_cp_PDR75RV_04688 |
| Remote valve                       | hhh_cp_PDR-RV_04689  |
| Breaker and hammer AIR-OIL         | no-illustration      |
| Breaker and hammer AIR-OIL         | no-illustration      |
| Breaker and hammer AIR-OIL         | no-illustration      |
| Accumulator kit                    |                      |
| Accumulator repair kit             | APP                  |
| Hydraulic hoses                    | Hydraulichoses       |
| Adaptors for hydraulic post driver | AdaptorsLPD          |
| Hydraulic twin hoses               | Hydraulicwinhoses_CP |
| Whip Check                         | Whipchec_AC          |

Go to Discount-Equipment.com to order your parts



| <b>Id</b> | <b>Qty</b> | <b>Number</b> | <b>Name</b>                | <b>Specifications</b> |
|-----------|------------|---------------|----------------------------|-----------------------|
| 1         | 1          | 3371820050    | ACCUMULATOR KIT            |                       |
| 2         | 1          | 3371820101    | ACCUMULATOR BODY           |                       |
| 3         | 1          | 3371814052    | Diaphragm                  |                       |
| 4         | 1          | 3371814102    | ACCUMULATOR COVER          |                       |
| 5         | 1          | 0661100022    | SEAL WASHER                |                       |
| 6         | 1          | 3371813103    | Charging screw             |                       |
| 7         | 1          | 3376117071    | protective nut             |                       |
| 8         | 1          | 3371821064    | cylinder plugged lh35      |                       |
| 9         | 1          |               | Valve housing              |                       |
| 10        | 4          | 0686612600    | PLUG                       |                       |
| 11        | 2          | 0686612800    | PLUG                       |                       |
| 12        | 1          | 0517110900    | Ball                       |                       |
| 13        | 1          | 3371820718    | SEAL RING 9/14X1           |                       |
| 14        | 1          | 3371820115    | SCREW                      |                       |
| 15        | 1          | 3371821063    | Cylinder HBP               |                       |
| 16        | 1          |               | Cylinder with one groove   |                       |
| 17        | 2          | 0686612600    | PLUG                       |                       |
| 18        | 1          | 0686612800    | PLUG                       |                       |
| 19        | 1          | 3371821132    | STRIKING PISTON HBP        |                       |
| 20        | 4          | 0211136400    | HEX SOCK. SCREW            |                       |
| 21        | 1          | 3371821133    | SPOOL HBP                  |                       |
| 22        | 1          | 3371821134    | GUIDE SOCKET HBP           |                       |
| 23        | 1          | 3371820267    | SPOOL SOCKET               |                       |
| 24        | 1          | 3371820702    | O-RING 24X1.5              |                       |
| 25        | 4          | 3371820703    | O-RING 18X2                |                       |
| 26        | 1          | 3371820705    | O-RING 32X2                |                       |
| 27        | 1          | 3371820762    | O-RING 25.12X1.78          |                       |
| 28        | 1          | 0335350801    | SNAP RING DIA 45           |                       |
| 29        | 1          | 3371820176    | SEAL 32/40X6               |                       |
| 30        | 1          | 3371820708    | SEAL 32/45X7/10            |                       |
| 31        | 2          | 0661100039    | SEALING WASHER 21.54X28.58 |                       |
| 32        | 1          | 0603420010    | NIPLE G1/2"                |                       |
| 33        | 1          | 3371818013    | T-CONNECTION BSP 4.2       |                       |
| 34        | 1          | 3371818020    | T-CONNECTION BSP 3.4       |                       |
| 35        | 1          | 0603420010    | NIPLE G1/2"                |                       |
| 36        | 2          | 0108110357    | DOWEL PIN                  |                       |
| 37        | 1          | 3371820704    | O-RING 30X2                |                       |
| 38        | 1          | 3371817757    | O-RING 6X2                 |                       |
| 39        | 1          | 3376100084    | O-RING 8X2                 |                       |
| 40        | 4          | 3371815735    | Back-up washer             |                       |
| 41        | 1          | 3371820725    | O-RING 82X1.5              |                       |
| 42        | 1          | 3371820726    | O-RING 16X1.5              |                       |
| 43        | 2          | 3371814749    | O-RING 13X1.5              |                       |
| 44        | 1          | 3371820281    | TOP PLATE                  |                       |
| 45        | 1          | 3371820167    | BACK-UP WASHER 32.7/45X    |                       |
| 46        | 1          | 3371820727    | LOCKING RING               |                       |
| 47        | 1          | 3371820093    | NOSE PART COMPLETE         |                       |
| 48        | 1          | 3371820282    | NOSE PART                  |                       |

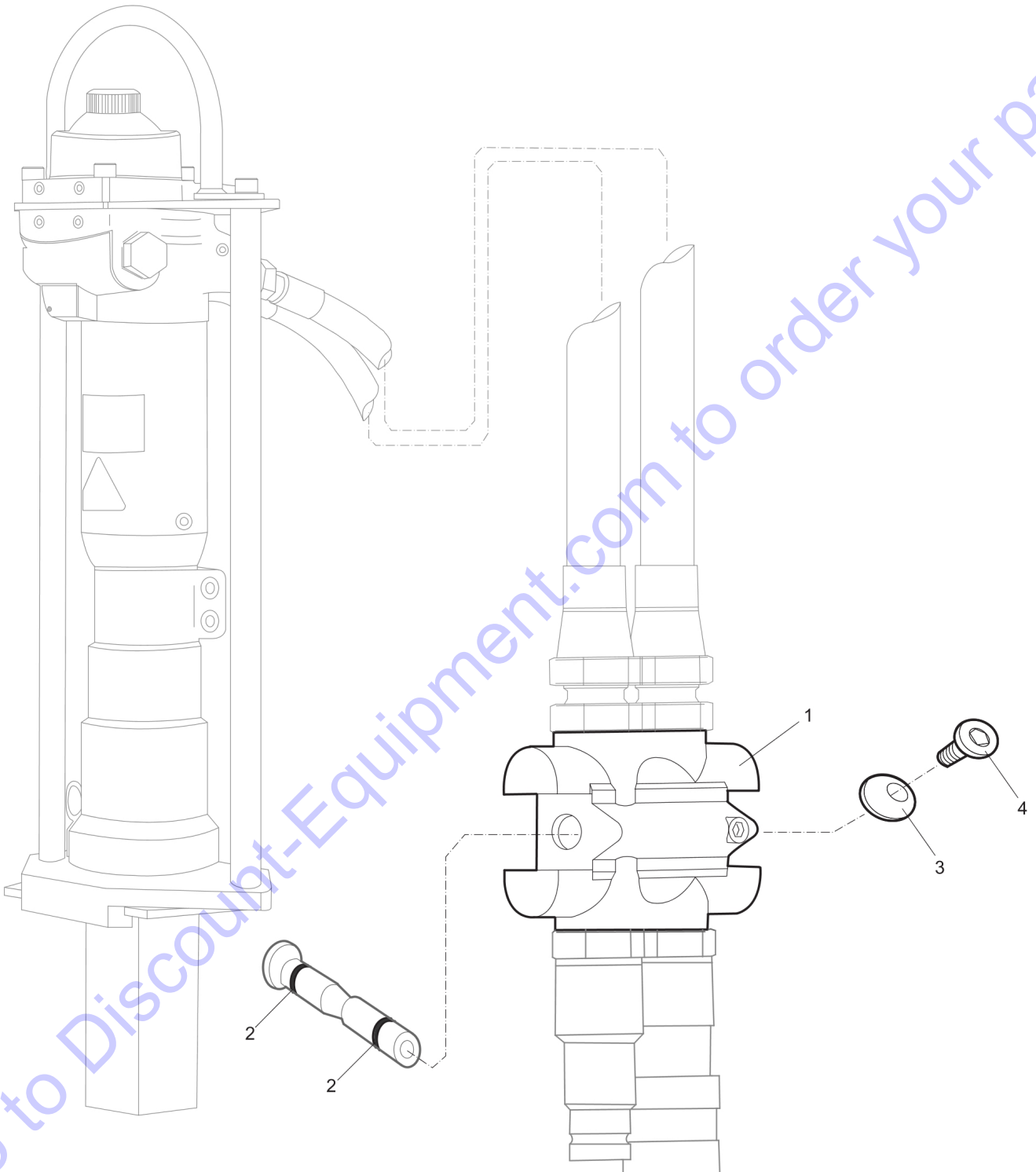
| <b>Id</b> | <b>Qty</b> | <b>Number</b> | <b>Name</b>                           | <b>Specifications</b> |
|-----------|------------|---------------|---------------------------------------|-----------------------|
| 49        | 1          | 3371820283    | ANVIL                                 |                       |
| 50        | 1          | 3371820284    | BUSHING                               |                       |
| 51        | 1          | 0335216000    | INT.CIRCLIP                           |                       |
| 52        | 1          | 3371820285    | PIN HOUSING                           |                       |
| 53        | 1          | 3371820286    | SPRING                                |                       |
| 54        | 1          | 3371820287    | LOCK PIN                              |                       |
| 55        | 1          | 3371820756    | SPLIT RING                            |                       |
| 56        | 1          | 0108135300    | SPRING PIN                            |                       |
| 57        | 2          | 0211136800    | HEX SOCK. SCREW                       |                       |
| 58        | 1          | 0147140203    | BOLT M12*35 FZB                       |                       |
| 59        | 1          | 0291111200    | LOCK NUT M12 DIN985 CL8 FZB           |                       |
| 60        | 1          | 3371821136    | Washer                                |                       |
| 61        | 1          | 3371821135    | SPRING                                |                       |
| 62        | 2          | 3371820288    | HANDLE                                |                       |
| 63        | 2          | 3371814728    | SCREW M10X20                          |                       |
| 64        | 4          | 0301234400    | WASHER-FLAT:M10.5/22.0X2.0T           |                       |
| 65        | 1          | 3371820294    | LIFTING BRACKET                       |                       |
| 66        | 2          | 3371817721    | SCREW M10X20                          |                       |
| 67        | 1          | 3371820053    | Valve housing plugged                 |                       |
| 68        | 2          | 0335351602    | SNAP RING DIA8-DIA7.6                 |                       |
| 69        | 1          | 3371820700    | SHIM PS 8X14X0.5                      |                       |
| 70        | 1          | 3371820108    | TRIGGER SPOOL                         |                       |
| 71        | 1          | 3371820136    | TRIGGER ROD                           |                       |
| 72        | 1          | 3371814120    | PACKING GLAND                         |                       |
| 73        | 1          | 3371820137    | SPRING                                |                       |
| 74        | 1          | 3371814700    | O-RING 8.3X2.4                        |                       |
| 75        | 1          | 0663212300    | O-RING                                |                       |
| 76        | 1          | 3371805503    | SEAL 8/14X3.5/5                       |                       |
| 77        | 1          | 3371814701    | Back-up ring                          |                       |
| 78        | 1          | 0335350152    | SNAP RING DIA12-DIA12.4               |                       |
| 79        | 2          | 3371813709    | PROTECTIVE CAP 1/2"                   |                       |
| 80        | 1          | 3371820289    | TRIGGER LEVER                         |                       |
| 81        | 1          | 3371820290    | HOUSING F/TRIGGER                     |                       |
| 82        | 1          | 3371820292    | TRIGGER                               |                       |
| 83        | 1          | 0211124600    | SCREW                                 |                       |
| 84        | 1          | 3371820760    | CYLINDER PIN 3/8X1"                   |                       |
| 85        | 4          | 0517111600    | BEARING BALL 3/8 - STEEL              |                       |
| 86        | 4          | 0211120303    | HEX. SOCK. SCREW                      |                       |
| 87        | 2          | 0211136300    | Screw                                 |                       |
| 88        | 4          | 0211136400    | HEX SOCK. SCREW                       |                       |
| 89        | 1          | 3371820291    | PLATE F/TRIGGER                       |                       |
| 90        | 1          |               | Data plate (Not available separately) |                       |



| Id | Qty | Number     | Name                       | Specifications |
|----|-----|------------|----------------------------|----------------|
| 1  | 1   | 3371820050 | ACCUMULATOR KIT            |                |
| 2  | 1   | 3371820101 | ACCUMULATOR BODY           |                |
| 3  | 1   | 3371814052 | Diaphragm                  |                |
| 4  | 1   | 3371814102 | ACCUMULATOR COVER          |                |
| 5  | 1   | 0661100022 | SEAL WASHER                |                |
| 6  | 1   | 3371813103 | Charging screw             |                |
| 7  | 1   | 3376117071 | protective nut             |                |
| 8  | 1   | 3371821064 | cylinder plugged lh35      |                |
| 9  | 1   |            | Valve housing              |                |
| 10 | 4   | 0686612600 | PLUG                       |                |
| 11 | 2   | 0686612800 | PLUG                       |                |
| 12 | 1   | 0517110900 | Ball                       |                |
| 13 | 1   | 3371820718 | SEAL RING 9/14X1           |                |
| 14 | 1   | 3371820115 | SCREW                      |                |
| 15 | 1   | 3371821063 | Cylinder HBP               |                |
| 16 | 1   |            | Cylinder with one groove   |                |
| 17 | 2   | 0686612600 | PLUG                       |                |
| 18 | 1   | 0686612800 | PLUG                       |                |
| 19 | 1   | 3371821132 | STRIKING PISTON HBP        |                |
| 20 | 4   | 0211136400 | HEX SOCK. SCREW            |                |
| 21 | 1   | 3371821133 | SPOOL HBP                  |                |
| 22 | 1   | 3371821134 | GUIDE SOCKET HBP           |                |
| 23 | 1   | 3371820267 | SPOOL SOCKET               |                |
| 24 | 1   | 3371820702 | O-RING 24X1.5              |                |
| 25 | 4   | 3371820703 | O-RING 18X2                |                |
| 26 | 1   | 3371820705 | O-RING 32X2                |                |
| 27 | 1   | 3371820762 | O-RING 25.12X1.78          |                |
| 28 | 1   | 0335350801 | SNAP RING DIA 45           |                |
| 29 | 1   | 3371820176 | SEAL 32/40X6               |                |
| 30 | 1   | 3371820708 | SEAL 32/45X7/10            |                |
| 31 | 2   | 0661100039 | SEALING WASHER 21.54X28.58 |                |
| 32 | 1   | 0603420010 | NIPLE G1/2"                |                |
| 33 | 1   | 3371818013 | T-CONNECTION BSP 4.2       |                |
| 34 | 1   | 3371818020 | T-CONNECTION BSP 3.4       |                |
| 35 | 1   | 0603420010 | NIPLE G1/2"                |                |
| 36 | 1   | 3371820240 | TRIGGER VALVE              |                |
| 37 | 1   | 0663212300 | O-RING                     |                |
| 38 | 1   | 3371817757 | O-RING 6X2                 |                |
| 39 | 1   | 3376100084 | O-RING 8X2                 |                |
| 40 | 4   | 3371815735 | Back-up washer             |                |
| 41 | 1   | 3371820725 | O-RING 82X1.5              |                |
| 42 | 1   | 3371820726 | O-RING 16X1.5              |                |
| 43 | 2   | 3371814749 | O-RING 13X1.5              |                |
| 44 | 1   | 3371820281 | TOP PLATE                  |                |
| 45 | 1   | 3371820167 | BACK-UP WASHER 32.7/45X    |                |
| 46 | 1   | 3371820727 | LOCKING RING               |                |
| 47 | 1   | 3371820093 | NOSE PART COMPLETE         |                |
| 48 | 1   |            | Nose part                  |                |



| Id | Qty | Number     | Name                                  | Specifications |
|----|-----|------------|---------------------------------------|----------------|
| 49 | 1   | 3371820283 | ANVIL                                 |                |
| 50 | 1   | 3371820284 | BUSHING                               |                |
| 51 | 1   | 0335216000 | INT.CIRCLIP                           |                |
| 52 | 1   | 3371820285 | PIN HOUSING                           |                |
| 53 | 1   | 3371820286 | SPRING                                |                |
| 54 | 1   | 3371820287 | LOCK PIN                              |                |
| 55 | 1   | 3371820756 | SPLIT RING                            |                |
| 56 | 1   | 0108135300 | SPRING PIN                            |                |
| 57 | 2   | 0211136800 | HEX SOCK. SCREW                       |                |
| 58 | 1   | 0147140203 | BOLT M12*35 FZB                       |                |
| 59 | 1   | 0291111200 | LOCK NUT M12 DIN985 CL8 FZB           |                |
| 60 | 1   | 3371821136 | Washer                                |                |
| 61 | 1   | 3371821135 | SPRING                                |                |
| 62 | 2   | 3371820288 | HANDLE                                |                |
| 63 | 2   | 3371814728 | SCREW M10X20                          |                |
| 64 | 4   | 0301234400 | WASHER-FLAT:M10.5/22.0X2.0T           |                |
| 65 | 1   | 3371820294 | LIFTING BRACKET                       |                |
| 66 | 2   | 3371817721 | SCREW M10X20                          |                |
| 67 | 1   | 3371821043 | ON-OFF VALVE COMPLETE                 |                |
| 68 | 1   |            | On/off valve                          |                |
| 69 | 4   | 3377000432 | ADAPTOR 08-06                         |                |
| 70 | 4   | 0661100040 | WASH SEAL 14.76                       |                |
| 71 | 2   | 0661100039 | SEALING WASHER 21.54X28.58            |                |
| 72 | 1   | 3371805133 | Q.R. coupling 08 female               |                |
| 73 | 1   | 3371805134 | Q.R. coupling 08 male                 |                |
| 74 | 1   | 3371805732 | PROTECTIVE CAP 1/2" MALE              |                |
| 75 | 1   | 3371805733 | PROTECTIVE CAP 1/2" FEMA              |                |
| 78 | 2   | 3371803068 | 1.8 M 1/2" HOSE                       |                |
| 79 | 2   | 0108110357 | DOWEL PIN                             |                |
| 80 | 1   | 3371820704 | O-RING 30X2                           |                |
| 81 | 4   | 0211136400 | HEX SOCK. SCREW                       |                |
| 82 | 1   |            | Data plate (Not available separately) |                |



| Id | Qty | Number     | Name                  | Specifications |
|----|-----|------------|-----------------------|----------------|
| 1  | 1   | 3371821043 | ON-OFF VALVE COMPLETE |                |
| 2  | 2   | 3371821706 | O-RING ?13?2          |                |
| 3  | 2   | 3371821144 | BUTTON                |                |
| 4  | 2   | 0216124600 | HEX. SOCK M6X16X10.9  |                |

Go to Discount-Equipment.com to order your parts

NO EXPLODED VIEW  
AVAILABLE  
FOR THIS BOM

Go to [Discount-Equipment.com](https://Discount-Equipment.com) to order your parts

| Id | Qty | Number     | Name  | Specifications |
|----|-----|------------|---|----------------|
| 20 |     | 0211136400 | HEX SOCK. SCREW   |                |
| -  | 2   | 3371803075 | HOSE 1.6 M  |                |
| -  | 1   | 3371805503 | SEAL 8/14X3.5/5   |                |
| -  | 1   | 8461020853 | TEX 3, 19x50  |                |
| -  | 2   | 3371803050 | 0.4 m 1/2" hose   |                |
| -  | 1   | 9030206900 | Water flushing hose BBC/BBD/RH (PM)                         |                |
| 1  | 1   | 8099020240 | Breaker and hammer AIR-OIL,0.25 l, 0.06 US gallon           |                |
| -  | 1   |            | Vibration handle kit  |                |
| -  | 2   | 3121029200 | NUT   |                |
| -  | 1   | 3371896061 | LABEL   |                |
| -  | 2   | 0661100039 | SEALING WASHER 21.54X28.58                                  |                |
| -  | 1   | 3378512072 | DUST SEAL   |                |
| -  | 2   | 0661100027 | WASHER-SEAL:M 21.5IDX28.5OD                                 |                |
| -  | 2   | 0663614100 | O-RING  |                |
| 22 |     | 3371820266 | GUIDE SOCKET  |                |
| -  | 1   | 3371820702 | O-RING 24X1.5   |                |
| -  | 1   | 3371814700 | O-RING 8.3X2.4  |                |
| -  | 2   | 3111002000 | PAWL  |                |
| -  | 2   | 3121034300 | SIDEBOLT  |                |
| -  | 2   | 0663211400 | O ring  |                |
| -  | 1   | 9030204300 | HOSE  |                |
| -  | 2   | 0663211200 | O-ring, 5.3 x 2.4 mm (70 shore), 0.21 x 0.09 in. (70 shore) |                |
| -  | 2   | 3121087200 | NUT   |                |
| 19 | 1   |            | Nut - Hexagon   |                |
| -  | 1   |            | Nut - Hexagon   |                |
| 2  | 1   | 8099020236 | LUBRICATING OIL   |                |
| -  | 1   | 3371896062 | LABEL   |                |
| -  | 4   | 3371820703 | O-RING 18X2   |                |
| 23 |     | 3371820267 | SPOOL SOCKET  |                |
| -  | 1   | 3378512073 | SHAFT SEAL  |                |
| -  | 1   | 3371805133 | Q.R. coupling 08 female                                     |                |
| -  | 1   | 3371897166 | Product model label   |                |
| -  | 1   | 0663212300 | O-RING  |                |
| -  | 2   | 4950026400 | DIAPHRAGME  |                |
| -  | 1   | 0663613400 | O-ring NBR  |                |
| -  | 1   | 3371896097 | ATLAS COPCO LOGO  |                |
| -  | 2   |            | SIDE BOLT   |                |
| -  | 2   | 3111002300 | SPRING  |                |
| -  | 1   | 3083322000 | MOIL POINT  |                |
| 20 | 1   |            | Rod - Threaded  |                |
| -  | 1   |            | Rod - Threaded  |                |
| -  | 2   | 0663212200 | O-RING  |                |
| -  | 1   | 8202510205 | LUBRICATOR BLG 30   |                |
| -  | 2   | 3121002100 | PIN   |                |
| -  | 2   |            | SIDE BOLT   |                |

| Id | Qty | Number     | Name                                   | Specifications |
|----|-----|------------|--|----------------|
| 3  | 20  | 8099020281 | Breaker and hammer AIR-OIL, 20 x 1 l   | bottles (pack) |
| -  | 4   | 3378512086 | O-RING                                 |                |
| -  | 2   | 3371897155 | CP logo                                |                |
| -  | 1   | 3371897082 | PRODUCT LABEL "LPD-T"                  |                |
| -  | 1   | 3371897165 | Product model label                    |                |
| -  | 1   | 3371805134 | Q.R. coupling 08 male                  |                |
| -  | 1   | 3330002200 | SLID.O-RING                            |                |
| -  | 2   | 3330008100 | STOP                                   |                |
| -  | 1   | 3371820704 | O-RING 30X2                            |                |
| -  | 1   | 3371814701 | Back-up ring                           |                |
| -  | 1   | 3371896000 | LABEL                                  |                |
| -  | 2   |            | NUT                                    |                |
| -  | 4   | 0663212400 | O-ring 17,3x2,4                        |                |
| -  | 1   | 8202510239 | CLG 30                                 |                |
| 6  | 1   |            | Gasket - governor housing              |                |
| -  | 2   |            | Gasket - governor housing              |                |
| 4  | 1   | 8099020202 | Breaker and hammer air-oil 5l          |                |
| -  | 1   | 3083322200 | NARROW CHISEL                          |                |
| 32 |     | 0603420010 | NIPLE G1/2"                            |                |
| -  | 2   | 0663212000 | O-ring 13,3x2,4                        |                |
| -  | 2   | 4090020100 | Seal                                   |                |
| -  | 1   | 3371805733 | PROTECTIVE CAP 1/2" FEMA               |                |
| -  | 1   | 3371897168 | LABEL                                  |                |
| -  | 1   | 3371897083 | PRODUCT LABEL "LPD-RV"                 |                |
| -  | 2   | 3371897156 | CP logo                                |                |
| -  | 1   | 3371896113 | Label                                  |                |
| -  | 1   | 3371897286 | Product label                          |                |
| 33 |     | 3371818013 | T-CONNECTION BSP 4.2                   |                |
| -  | 1   | 0335350152 | SNAP RING DIA12-DIA12.4                |                |
| -  | 1   | 3371897164 | Product label                          |                |
| -  | 1   |            | O-RING                                 |                |
| 7  | 1   |            | O-RING                                 |                |
| 5  | 4   | 8099020285 | BREAKER AND HAMMER AIR-OIL             | (4x5L)         |
| -  | 1   | 8099020240 | Breaker and hammer AIR-OIL,0.25 l,     | 0.06 US gallon |
| -  | 4   | 0211124401 | SCREW                                  |                |
| -  | 2   | 0663212500 | O-RING                                 |                |
| -  | 1   | 3371820705 | O-RING 32X2                            |                |
| -  | 6   | 0663614400 | O-ring, 99.5 x 3.0 mm, 3.92 x 0.12 in. |                |
| -  | 1   | 3371897080 | Product label                          |                |
| -  | 1   | 3371897304 | Product label                          |                |
| -  | 1   | 3371896006 | Label                                  |                |
| -  | 1   | 3371805732 | PROTECTIVE CAP 1/2" MALE               |                |
| 34 |     | 3371818020 | T-CONNECTION BSP 3.4                   |                |
| -  | 1   | 3371897167 | Product label                          |                |
| -  | 1   | 3371897163 | Product label                          |                |
| -  | 1   | 3310120600 | STORAGE BOX                            |                |

| Id | Qty | Number     | Name   | Specifications |
|----|-----|------------|--|----------------|
| -  | 1   | 8092011082 | VAM 5A WATER SEPARATOR                                       |                |
| -  | 1   | 3371820762 | O-RING 25.12X1.78  |                |
| -  | 1   |            | O-RING   |                |
| -  | 3   | 0663212700 | O-RING   |                |
| -  | 1   | 0663212800 | O-RING   |                |
| -  | 1   | 0663212600 | O RING   |                |
| -  | 1   | 3371897081 | Product label  |                |
| -  | 2   | 3371814703 | O-RING 24.2X3  |                |
| -  | 1   | 3371897287 | Product label  |                |
| -  | 1   | 3371897270 | Label HBP  |                |
| -  | 1   | 3330002500 | WASHER   |                |
| -  | 1   |            | Pin - governor push  |                |
| -  | 3   | 0663213200 | O-RING   |                |
| -  | 1   | 3371801087 | 7 m Twin extension hose                                      |                |
| -  | 2   | 0663613600 | O-RING 59.5X3  |                |
| 35 |     | 0603420010 | NIPLE G1/2"  |                |
| -  | 1   | 0335350801 | SNAP RING DIA 45   |                |
| -  | 1   | 3371820176 | SEAL 32/40X6   |                |
| -  | 1   | 3371803052 | 7 m 1/2" hose  |                |
| -  | 4   | 0663614800 | O-ring, 119.5 x 3.0 mm, 4.70 x 0.12 in.                      |                |
| 51 |     | 0211141000 | HEX SOCK. SCREW M12X75-12.9                                  |                |
| -  | 2   | 3371814710 | O-RING 33X2  |                |
| -  | 1   |            | Pin - governor weight  |                |
| -  | 1   | 9030204100 | RUBBER HOSE  |                |
| -  | 1   | 0663213500 | O-RING   |                |
| -  | 1   | 0663212900 | O-RING   |                |
| -  | 4   | 0211133000 | SCREW M8X50 DIN 912 12.9 FZB                                 |                |
| -  | 1   | 0663614200 | ORING ID 89.5MM  |                |
| -  | 2   | 0663213300 | O-ring   |                |
| -  | 1   | 3106967000 | PACKING  |                |
| 58 |     | 3371817721 | SCREW M10X20   |                |
| -  | 4   | 3330005700 | VALVE SEAT   |                |
| -  | 1   | 3371820708 | SEAL 32/45X7/10  |                |
| -  | 1   | 3371802109 | Label  |                |
| -  | 1   | 3371896047 | LABEL  |                |
| -  | 2   | 0663612000 | O-ring, 13.1 x 1.6 mm (70 shore), 0.52 x 0.06 in. (70 shore) |                |
| -  | 2   | 0663612900 | O-RING   |                |
| -  | 1   |            | Blade - rotor  |                |
| -  | 1   | 9000031300 | CLAW COUPLING  |                |
| -  | 1   | 3371814709 | SEAL RING 8,7/13X1   |                |
| -  | 2   | 3330000500 | SEAL.WASHER  |                |
| -  | 1   | 3371896048 | LABEL  |                |
| -  | 1   | 3106967500 | WASHER   |                |
| -  | 4   | 3330005800 | FLAP   |                |
| 79 |     | 0211136300 | Screw  |                |
| -  | 1   | 0663918400 | O-ring   |                |
| -  | 1   | 9000019700 | HOSE CLAMP   |                |

| Id | Qty | Number     | Name                                    | Specifications |
|----|-----|------------|---|----------------|
| -  | 1   |            | O-RING                                  |                |
| -  | 1   | 3371815738 | LOCKING RING                            |                |
| -  | 1   | 0502222100 | BALL BEARING                            |                |
| -  | 1   | 3371802108 | Label                                   |                |
| -  | 1   | 3371802107 | Label                                   |                |
| -  | 1   | 3371814754 | LOCKING RING 38                         |                |
| -  | 2   | 0335351602 | SNAP RING DIA8-DIA7.6                   |                |
| -  | 1   | 0663613900 | O RING                                  |                |
| -  | 1   | 3121001200 | PACKING                                 |                |
| -  | 1   | 3000012100 | RUBB.PACKING                            |                |
| -  | 1   |            | Gasket - seal plate                     |                |
| -  | 1   | 0663614000 | O RING 79.5X3                           |                |
| -  | 4   | 0101414000 | Pin                                     |                |
| 62 |     | 3377000432 | ADAPTOR 08-06                           |                |
| -  | 1   | 3330000400 | WASHER                                  |                |
| -  | 4   | 0663215200 | O-ring, 124.3 x 5.7 mm, 4.89 x 0.22 in. |                |
| -  | 1   | 3371820700 | SHIM PS 8X14X0.5                        |                |
| -  | 1   | 3371802106 | Label                                   |                |
| -  | 1   | 3121007200 | RING                                    |                |
| -  | 1   | 3115098280 | VALVE BODY                              |                |
| -  | 1   | 9238270790 | TEMPLATE                                |                |
| -  | 1   | 3100964600 | PACKING                                 |                |
| -  | 1   |            | O-RING                                  |                |
| -  | 1   | 3371814748 | O-RING 25X1.5                           |                |
| -  | 1   |            | Seal - oil                              |                |
| -  | 1   | 3100965300 | PACKING                                 |                |
| -  | 1   | 3000964600 | Packing                                 |                |
| -  | 1   | 3371814749 | O-RING 13X1.5                           |                |
| -  | 1   | 3371802105 | Label                                   |                |
| -  | 4   | 0147137202 | Screw, M10 x 75 mm                      |                |
| -  | 1   | 0504221700 | Bearing                                 |                |
| 70 |     | 0211136300 | Screw                                   |                |
| -  | 1   | 0518125500 | SEAL RING                               |                |
| -  | 2   | 3371820706 | O-RING 22X1.5                           |                |
| -  | 1   |            | BRAKERING                               |                |
| -  | 1   | 3162097600 | GASKET                                  |                |
| -  | 1   | 3121054500 | PACKING                                 |                |
| -  | 2   | 3132017300 | PACKING                                 |                |
| -  | 2   | 3371814750 | O-RING 12X1.5                           |                |
| -  | 1   | 3330002300 | NUT                                     |                |
| -  | 1   | 3371814751 | O-RING 69X1.5                           |                |
| -  | 1   | 3371817757 | O-RING 6X2                              |                |
| -  | 1   | 3376100084 | O-RING 8X2                              |                |
| -  | 1   | 3371820718 | SEAL RING 9/14X1                        |                |
| -  | 1   | 3371820725 | O-RING 82X1.5                           |                |
| -  | 1   | 3371820726 | O-RING 16X1.5                           |                |
| -  | 1   | 3371820167 | BACK-UP WASHER 32.7/45X                 |                |
| -  | 1   | 3371820727 | LOCKING RING                            |                |



NO EXPLODED VIEW  
AVAILABLE  
FOR THIS BOM

Go to [Discount-Equipment.com](https://Discount-Equipment.com) to order your parts

| <b>Id</b> | <b>Qty</b> | <b>Number</b> | <b>Name</b>   | <b>Specifications</b> |
|-----------|------------|---------------|---|-----------------------|
| 20        |            | 0211136400    | HEX SOCK. SCREW   |                       |
| -         | 2          | 3371803075    | HOSE 1.6 M  |                       |
| -         | 1          | 3371805503    | SEAL 8/14X3.5/5   |                       |
| -         | 1          | 8461020853    | TEX 3, 19x50  |                       |
| -         | 2          | 3371803050    | 0.4 m 1/2" hose   |                       |
| -         | 1          | 9030206900    | Water flushing hose BBC/BBD/RH (PM)                         |                       |
| 1         | 1          | 8099020240    | Breaker and hammer AIR-OIL,0.25 l, 0.06 US gallon           |                       |
| -         | 1          |               | Vibration handle kit  |                       |
| -         | 2          | 3121029200    | NUT   |                       |
| -         | 1          | 3371896061    | LABEL   |                       |
| -         | 2          | 0661100039    | SEALING WASHER 21.54X28.58                                  |                       |
| -         | 1          | 3378512072    | DUST SEAL   |                       |
| -         | 2          | 0661100027    | WASHER-SEAL:M 21.5IDX28.5OD                                 |                       |
| -         | 2          | 0663614100    | O-RING  |                       |
| 22        |            | 3371820266    | GUIDE SOCKET  |                       |
| -         | 1          | 3371820702    | O-RING 24X1.5   |                       |
| -         | 1          | 3371814700    | O-RING 8.3X2.4  |                       |
| -         | 2          | 3111002000    | PAWL  |                       |
| -         | 2          | 3121034300    | SIDEBOLT  |                       |
| -         | 2          | 0663211400    | O ring  |                       |
| -         | 1          | 9030204300    | HOSE  |                       |
| -         | 2          | 0663211200    | O-ring, 5.3 x 2.4 mm (70 shore), 0.21 x 0.09 in. (70 shore) |                       |
| -         | 2          | 3121087200    | NUT   |                       |
| 19        | 1          |               | Nut - Hexagon   |                       |
| -         | 1          |               | Nut - Hexagon   |                       |
| 2         | 1          | 8099020236    | LUBRICATING OIL   |                       |
| -         | 1          | 3371896062    | LABEL   |                       |
| -         | 4          | 3371820703    | O-RING 18X2   |                       |
| 23        |            | 3371820267    | SPOOL SOCKET  |                       |
| -         | 1          | 3378512073    | SHAFT SEAL  |                       |
| -         | 1          | 3371805133    | Q.R. coupling 08 female                                     |                       |
| -         | 1          | 3371897166    | Product model label   |                       |
| -         | 1          | 0663212300    | O-RING  |                       |
| -         | 2          | 4950026400    | DIAPHRAGME  |                       |
| -         | 1          | 0663613400    | O-ring NBR  |                       |
| -         | 1          | 3371896097    | ATLAS COPCO LOGO  |                       |
| -         | 2          |               | SIDE BOLT   |                       |
| -         | 2          | 3111002300    | SPRING  |                       |
| -         | 1          | 3083322000    | MOIL POINT  |                       |
| 20        | 1          |               | Rod - Threaded  |                       |
| -         | 1          |               | Rod - Threaded  |                       |
| -         | 2          | 0663212200    | O-RING  |                       |
| -         | 1          | 8202510205    | LUBRICATOR BLG 30   |                       |
| -         | 2          | 3121002100    | PIN   |                       |
| -         | 2          |               | SIDE BOLT   |                       |

| Id | Qty | Number     | Name                                   | Specifications |
|----|-----|------------|--|----------------|
| 3  | 20  | 8099020281 | Breaker and hammer AIR-OIL, 20 x 1 l   | bottles (pack) |
| -  | 4   | 3378512086 | O-RING                                 |                |
| -  | 2   | 3371897155 | CP logo                                |                |
| -  | 1   | 3371897082 | PRODUCT LABEL "LPD-T"                  |                |
| -  | 1   | 3371897165 | Product model label                    |                |
| -  | 1   | 3371805134 | Q.R. coupling 08 male                  |                |
| -  | 1   | 3330002200 | SLID.O-RING                            |                |
| -  | 2   | 3330008100 | STOP                                   |                |
| -  | 1   | 3371820704 | O-RING 30X2                            |                |
| -  | 1   | 3371814701 | Back-up ring                           |                |
| -  | 1   | 3371896000 | LABEL                                  |                |
| -  | 2   |            | NUT                                    |                |
| -  | 4   | 0663212400 | O-ring 17,3x2,4                        |                |
| -  | 1   | 8202510239 | CLG 30                                 |                |
| 6  | 1   |            | Gasket - governor housing              |                |
| -  | 2   |            | Gasket - governor housing              |                |
| 4  | 1   | 8099020202 | Breaker and hammer air-oil 5l          |                |
| -  | 1   | 3083322200 | NARROW CHISEL                          |                |
| 32 |     | 0603420010 | NIPLE G1/2"                            |                |
| -  | 2   | 0663212000 | O-ring 13,3x2,4                        |                |
| -  | 2   | 4090020100 | Seal                                   |                |
| -  | 1   | 3371805733 | PROTECTIVE CAP 1/2" FEMA               |                |
| -  | 1   | 3371897168 | LABEL                                  |                |
| -  | 1   | 3371897083 | PRODUCT LABEL "LPD-RV"                 |                |
| -  | 2   | 3371897156 | CP logo                                |                |
| -  | 1   | 3371896113 | Label                                  |                |
| -  | 1   | 3371897286 | Product label                          |                |
| 33 |     | 3371818013 | T-CONNECTION BSP 4.2                   |                |
| -  | 1   | 0335350152 | SNAP RING DIA12-DIA12.4                |                |
| -  | 1   | 3371897164 | Product label                          |                |
| -  | 1   |            | O-RING                                 |                |
| 7  | 1   |            | O-RING                                 |                |
| 5  | 4   | 8099020285 | BREAKER AND HAMMER AIR-OIL             | (4x5L)         |
| -  | 1   | 8099020240 | Breaker and hammer AIR-OIL,0.25 l,     | 0.06 US gallon |
| -  | 4   | 0211124401 | SCREW                                  |                |
| -  | 2   | 0663212500 | O-RING                                 |                |
| -  | 1   | 3371820705 | O-RING 32X2                            |                |
| -  | 6   | 0663614400 | O-ring, 99.5 x 3.0 mm, 3.92 x 0.12 in. |                |
| -  | 1   | 3371897080 | Product label                          |                |
| -  | 1   | 3371897304 | Product label                          |                |
| -  | 1   | 3371896006 | Label                                  |                |
| -  | 1   | 3371805732 | PROTECTIVE CAP 1/2" MALE               |                |
| 34 |     | 3371818020 | T-CONNECTION BSP 3.4                   |                |
| -  | 1   | 3371897167 | Product label                          |                |
| -  | 1   | 3371897163 | Product label                          |                |
| -  | 1   | 3310120600 | STORAGE BOX                            |                |

| Id | Qty | Number     | Name   | Specifications |
|----|-----|------------|--|----------------|
| -  | 1   | 8092011082 | VAM 5A WATER SEPARATOR                                       |                |
| -  | 1   | 3371820762 | O-RING 25.12X1.78  |                |
| -  | 1   |            | O-RING   |                |
| -  | 3   | 0663212700 | O-RING   |                |
| -  | 1   | 0663212800 | O-RING   |                |
| -  | 1   | 0663212600 | O RING   |                |
| -  | 1   | 3371897081 | Product label  |                |
| -  | 2   | 3371814703 | O-RING 24.2X3  |                |
| -  | 1   | 3371897287 | Product label  |                |
| -  | 1   | 3371897270 | Label HBP  |                |
| -  | 1   | 3330002500 | WASHER   |                |
| -  | 1   |            | Pin - governor push  |                |
| -  | 3   | 0663213200 | O-RING   |                |
| -  | 1   | 3371801087 | 7 m Twin extension hose                                      |                |
| -  | 2   | 0663613600 | O-RING 59.5X3  |                |
| 35 |     | 0603420010 | NIPLE G1/2"  |                |
| -  | 1   | 0335350801 | SNAP RING DIA 45   |                |
| -  | 1   | 3371820176 | SEAL 32/40X6   |                |
| -  | 1   | 3371803052 | 7 m 1/2" hose  |                |
| -  | 4   | 0663614800 | O-ring, 119.5 x 3.0 mm, 4.70 x 0.12 in.                      |                |
| 51 |     | 0211141000 | HEX SOCK. SCREW M12X75-12.9                                  |                |
| -  | 2   | 3371814710 | O-RING 33X2  |                |
| -  | 1   |            | Pin - governor weight  |                |
| -  | 1   | 9030204100 | RUBBER HOSE  |                |
| -  | 1   | 0663213500 | O-RING   |                |
| -  | 1   | 0663212900 | O-RING   |                |
| -  | 4   | 0211133000 | SCREW M8X50 DIN 912 12.9 FZB                                 |                |
| -  | 1   | 0663614200 | ORING ID 89.5MM  |                |
| -  | 2   | 0663213300 | O-ring   |                |
| -  | 1   | 3106967000 | PACKING  |                |
| 58 |     | 3371817721 | SCREW M10X20   |                |
| -  | 4   | 3330005700 | VALVE SEAT   |                |
| -  | 1   | 3371820708 | SEAL 32/45X7/10  |                |
| -  | 1   | 3371802109 | Label  |                |
| -  | 1   | 3371896047 | LABEL  |                |
| -  | 2   | 0663612000 | O-ring, 13.1 x 1.6 mm (70 shore), 0.52 x 0.06 in. (70 shore) |                |
| -  | 2   | 0663612900 | O-RING   |                |
| -  | 1   |            | Blade - rotor  |                |
| -  | 1   | 9000031300 | CLAW COUPLING  |                |
| -  | 1   | 3371814709 | SEAL RING 8,7/13X1   |                |
| -  | 2   | 3330000500 | SEAL.WASHER  |                |
| -  | 1   | 3371896048 | LABEL  |                |
| -  | 1   | 3106967500 | WASHER   |                |
| -  | 4   | 3330005800 | FLAP   |                |
| 79 |     | 0211136300 | Screw  |                |
| -  | 1   | 0663918400 | O-ring   |                |
| -  | 1   | 9000019700 | HOSE CLAMP   |                |

| Id | Qty | Number     | Name                                    | Specifications |
|----|-----|------------|---|----------------|
| -  | 1   |            | O-RING                                  |                |
| -  | 1   | 3371815738 | LOCKING RING                            |                |
| -  | 1   | 0502222100 | BALL BEARING                            |                |
| -  | 1   | 3371802108 | Label                                   |                |
| -  | 1   | 3371802107 | Label                                   |                |
| -  | 1   | 3371814754 | LOCKING RING 38                         |                |
| -  | 2   | 0335351602 | SNAP RING DIA8-DIA7.6                   |                |
| -  | 1   | 0663613900 | O RING                                  |                |
| -  | 1   | 3121001200 | PACKING                                 |                |
| -  | 1   | 3000012100 | RUBB.PACKING                            |                |
| -  | 1   |            | Gasket - seal plate                     |                |
| -  | 1   | 0663614000 | O RING 79.5X3                           |                |
| -  | 4   | 0101414000 | Pin                                     |                |
| 62 |     | 3377000432 | ADAPTOR 08-06                           |                |
| -  | 1   | 3330000400 | WASHER                                  |                |
| -  | 4   | 0663215200 | O-ring, 124.3 x 5.7 mm, 4.89 x 0.22 in. |                |
| -  | 1   | 3371820700 | SHIM PS 8X14X0.5                        |                |
| -  | 1   | 3371802106 | Label                                   |                |
| -  | 1   | 3121007200 | RING                                    |                |
| -  | 1   | 3115098280 | VALVE BODY                              |                |
| -  | 1   | 9238270790 | TEMPLATE                                |                |
| -  | 1   | 3100964600 | PACKING                                 |                |
| -  | 1   |            | O-RING                                  |                |
| -  | 1   | 3371814748 | O-RING 25X1.5                           |                |
| -  | 1   |            | Seal - oil                              |                |
| -  | 1   | 3100965300 | PACKING                                 |                |
| -  | 1   | 3000964600 | Packing                                 |                |
| -  | 1   | 3371814749 | O-RING 13X1.5                           |                |
| -  | 1   | 3371802105 | Label                                   |                |
| -  | 4   | 0147137202 | Screw, M10 x 75 mm                      |                |
| -  | 1   | 0504221700 | Bearing                                 |                |
| 70 |     | 0211136300 | Screw                                   |                |
| -  | 1   | 0518125500 | SEAL RING                               |                |
| -  | 2   | 3371820706 | O-RING 22X1.5                           |                |
| -  | 1   |            | BRAKERING                               |                |
| -  | 1   | 3162097600 | GASKET                                  |                |
| -  | 1   | 3121054500 | PACKING                                 |                |
| -  | 2   | 3132017300 | PACKING                                 |                |
| -  | 2   | 3371814750 | O-RING 12X1.5                           |                |
| -  | 1   | 3330002300 | NUT                                     |                |
| -  | 1   | 3371814751 | O-RING 69X1.5                           |                |
| -  | 1   | 3371817757 | O-RING 6X2                              |                |
| -  | 1   | 3376100084 | O-RING 8X2                              |                |
| -  | 1   | 3371820718 | SEAL RING 9/14X1                        |                |
| -  | 1   | 3371820725 | O-RING 82X1.5                           |                |
| -  | 1   | 3371820726 | O-RING 16X1.5                           |                |
| -  | 1   | 3371820167 | BACK-UP WASHER 32.7/45X                 |                |
| -  | 1   | 3371820727 | LOCKING RING                            |                |

NO EXPLODED VIEW  
AVAILABLE  
FOR THIS BOM

Go to [Discount-Equipment.com](https://Discount-Equipment.com) to order your parts

| <b>Id</b> | <b>Qty</b> | <b>Number</b> | <b>Name</b>   | <b>Specifications</b> |
|-----------|------------|---------------|---|-----------------------|
| 20        |            | 0211136400    | HEX SOCK. SCREW   |                       |
| -         | 2          | 3371803075    | HOSE 1.6 M  |                       |
| -         | 1          | 3371805503    | SEAL 8/14X3.5/5   |                       |
| -         | 1          | 8461020853    | TEX 3, 19x50  |                       |
| -         | 2          | 3371803050    | 0.4 m 1/2" hose   |                       |
| -         | 1          | 9030206900    | Water flushing hose BBC/BBD/RH (PM)                         |                       |
| 1         | 1          | 8099020240    | Breaker and hammer AIR-OIL,0.25 l, 0.06 US gallon           |                       |
| -         | 1          |               | Vibration handle kit  |                       |
| -         | 2          | 3121029200    | NUT   |                       |
| -         | 1          | 3371896061    | LABEL   |                       |
| -         | 2          | 0661100039    | SEALING WASHER 21.54X28.58                                  |                       |
| -         | 1          | 3378512072    | DUST SEAL   |                       |
| -         | 2          | 0661100027    | WASHER-SEAL:M 21.5IDX28.5OD                                 |                       |
| -         | 2          | 0663614100    | O-RING  |                       |
| 22        |            | 3371820266    | GUIDE SOCKET  |                       |
| -         | 1          | 3371820702    | O-RING 24X1.5   |                       |
| -         | 1          | 3371814700    | O-RING 8.3X2.4  |                       |
| -         | 2          | 3111002000    | PAWL  |                       |
| -         | 2          | 3121034300    | SIDEBOLT  |                       |
| -         | 2          | 0663211400    | O ring  |                       |
| -         | 1          | 9030204300    | HOSE  |                       |
| -         | 2          | 0663211200    | O-ring, 5.3 x 2.4 mm (70 shore), 0.21 x 0.09 in. (70 shore) |                       |
| -         | 2          | 3121087200    | NUT   |                       |
| 19        | 1          |               | Nut - Hexagon   |                       |
| -         | 1          |               | Nut - Hexagon   |                       |
| 2         | 1          | 8099020236    | LUBRICATING OIL   |                       |
| -         | 1          | 3371896062    | LABEL   |                       |
| -         | 4          | 3371820703    | O-RING 18X2   |                       |
| 23        |            | 3371820267    | SPOOL SOCKET  |                       |
| -         | 1          | 3378512073    | SHAFT SEAL  |                       |
| -         | 1          | 3371805133    | Q.R. coupling 08 female                                     |                       |
| -         | 1          | 3371897166    | Product model label   |                       |
| -         | 1          | 0663212300    | O-RING  |                       |
| -         | 2          | 4950026400    | DIAPHRAGME  |                       |
| -         | 1          | 0663613400    | O-ring NBR  |                       |
| -         | 1          | 3371896097    | ATLAS COPCO LOGO  |                       |
| -         | 2          |               | SIDE BOLT   |                       |
| -         | 2          | 3111002300    | SPRING  |                       |
| -         | 1          | 3083322000    | MOIL POINT  |                       |
| 20        | 1          |               | Rod - Threaded  |                       |
| -         | 1          |               | Rod - Threaded  |                       |
| -         | 2          | 0663212200    | O-RING  |                       |
| -         | 1          | 8202510205    | LUBRICATOR BLG 30   |                       |
| -         | 2          | 3121002100    | PIN   |                       |
| -         | 2          |               | SIDE BOLT   |                       |

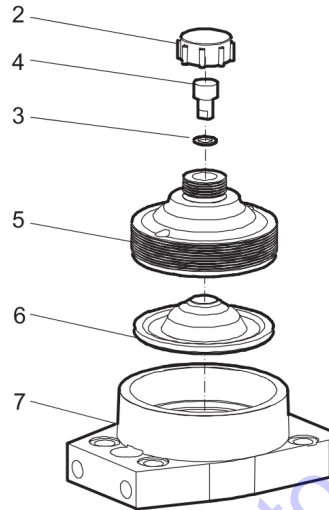
| Id | Qty | Number     | Name                                   | Specifications |
|----|-----|------------|--|----------------|
| 3  | 20  | 8099020281 | Breaker and hammer AIR-OIL, 20 x 1 l   | bottles (pack) |
| -  | 4   | 3378512086 | O-RING                                 |                |
| -  | 2   | 3371897155 | CP logo                                |                |
| -  | 1   | 3371897082 | PRODUCT LABEL "LPD-T"                  |                |
| -  | 1   | 3371897165 | Product model label                    |                |
| -  | 1   | 3371805134 | Q.R. coupling 08 male                  |                |
| -  | 1   | 3330002200 | SLID.O-RING                            |                |
| -  | 2   | 3330008100 | STOP                                   |                |
| -  | 1   | 3371820704 | O-RING 30X2                            |                |
| -  | 1   | 3371814701 | Back-up ring                           |                |
| -  | 1   | 3371896000 | LABEL                                  |                |
| -  | 2   |            | NUT                                    |                |
| -  | 4   | 0663212400 | O-ring 17,3x2,4                        |                |
| -  | 1   | 8202510239 | CLG 30                                 |                |
| 6  | 1   |            | Gasket - governor housing              |                |
| -  | 2   |            | Gasket - governor housing              |                |
| 4  | 1   | 8099020202 | Breaker and hammer air-oil 5l          |                |
| -  | 1   | 3083322200 | NARROW CHISEL                          |                |
| 32 |     | 0603420010 | NIPLE G1/2"                            |                |
| -  | 2   | 0663212000 | O-ring 13,3x2,4                        |                |
| -  | 2   | 4090020100 | Seal                                   |                |
| -  | 1   | 3371805733 | PROTECTIVE CAP 1/2" FEMA               |                |
| -  | 1   | 3371897168 | LABEL                                  |                |
| -  | 1   | 3371897083 | PRODUCT LABEL "LPD-RV"                 |                |
| -  | 2   | 3371897156 | CP logo                                |                |
| -  | 1   | 3371896113 | Label                                  |                |
| -  | 1   | 3371897286 | Product label                          |                |
| 33 |     | 3371818013 | T-CONNECTION BSP 4.2                   |                |
| -  | 1   | 0335350152 | SNAP RING DIA12-DIA12.4                |                |
| -  | 1   | 3371897164 | Product label                          |                |
| -  | 1   |            | O-RING                                 |                |
| 7  | 1   |            | O-RING                                 |                |
| 5  | 4   | 8099020285 | BREAKER AND HAMMER AIR-OIL             | (4x5L)         |
| -  | 1   | 8099020240 | Breaker and hammer AIR-OIL,0.25 l,     | 0.06 US gallon |
| -  | 4   | 0211124401 | SCREW                                  |                |
| -  | 2   | 0663212500 | O-RING                                 |                |
| -  | 1   | 3371820705 | O-RING 32X2                            |                |
| -  | 6   | 0663614400 | O-ring, 99.5 x 3.0 mm, 3.92 x 0.12 in. |                |
| -  | 1   | 3371897080 | Product label                          |                |
| -  | 1   | 3371897304 | Product label                          |                |
| -  | 1   | 3371896006 | Label                                  |                |
| -  | 1   | 3371805732 | PROTECTIVE CAP 1/2" MALE               |                |
| 34 |     | 3371818020 | T-CONNECTION BSP 3.4                   |                |
| -  | 1   | 3371897167 | Product label                          |                |
| -  | 1   | 3371897163 | Product label                          |                |
| -  | 1   | 3310120600 | STORAGE BOX                            |                |



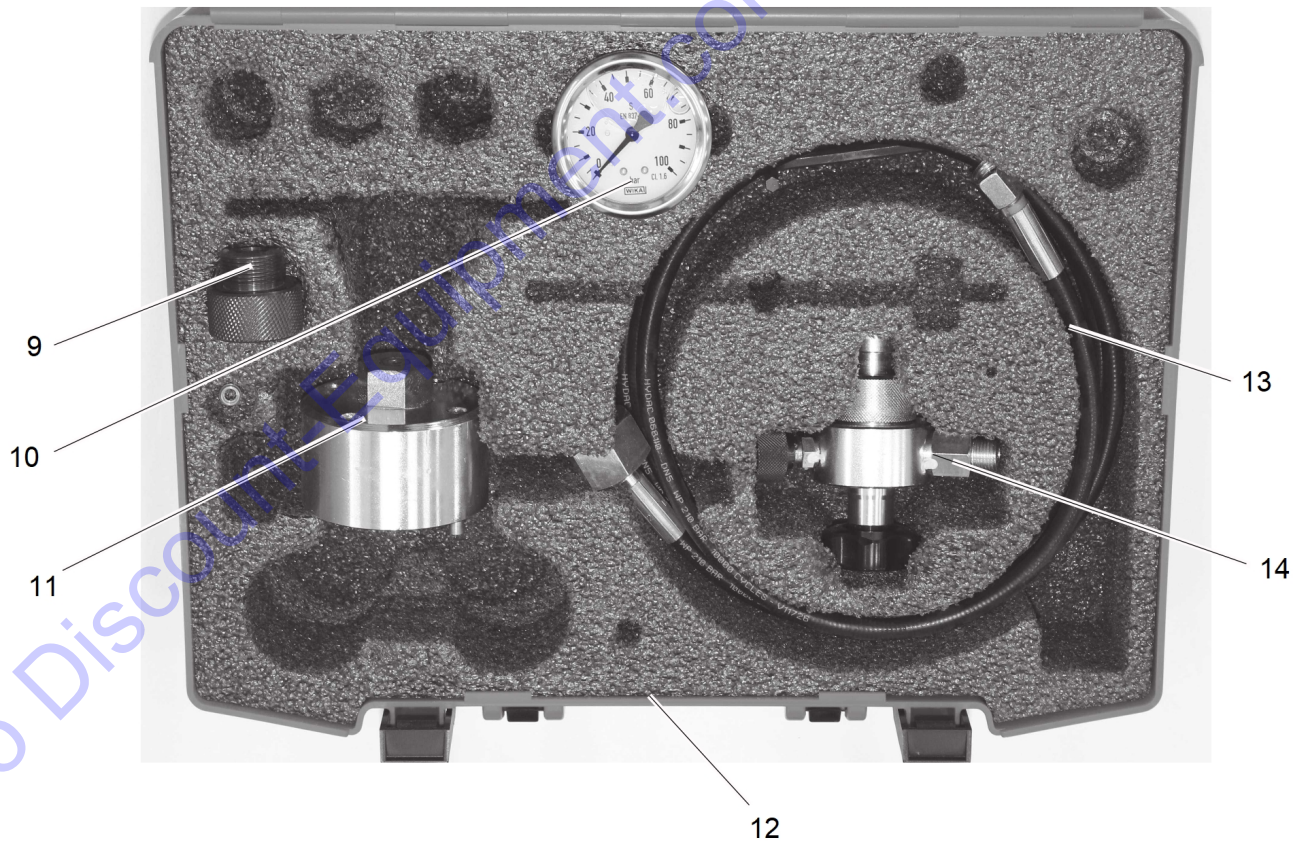
| Id | Qty | Number     | Name   | Specifications |
|----|-----|------------|--|----------------|
| -  | 1   | 8092011082 | VAM 5A WATER SEPARATOR                                       |                |
| -  | 1   | 3371820762 | O-RING 25.12X1.78  |                |
| -  | 1   |            | O-RING   |                |
| -  | 3   | 0663212700 | O-RING   |                |
| -  | 1   | 0663212800 | O-RING   |                |
| -  | 1   | 0663212600 | O RING   |                |
| -  | 1   | 3371897081 | Product label  |                |
| -  | 2   | 3371814703 | O-RING 24.2X3  |                |
| -  | 1   | 3371897287 | Product label  |                |
| -  | 1   | 3371897270 | Label HBP  |                |
| -  | 1   | 3330002500 | WASHER   |                |
| -  | 1   |            | Pin - governor push  |                |
| -  | 3   | 0663213200 | O-RING   |                |
| -  | 1   | 3371801087 | 7 m Twin extension hose                                      |                |
| -  | 2   | 0663613600 | O-RING 59.5X3  |                |
| 35 |     | 0603420010 | NIPLE G1/2"  |                |
| -  | 1   | 0335350801 | SNAP RING DIA 45   |                |
| -  | 1   | 3371820176 | SEAL 32/40X6   |                |
| -  | 1   | 3371803052 | 7 m 1/2" hose  |                |
| -  | 4   | 0663614800 | O-ring, 119.5 x 3.0 mm, 4.70 x 0.12 in.                      |                |
| 51 |     | 0211141000 | HEX SOCK. SCREW M12X75-12.9                                  |                |
| -  | 2   | 3371814710 | O-RING 33X2  |                |
| -  | 1   |            | Pin - governor weight  |                |
| -  | 1   | 9030204100 | RUBBER HOSE  |                |
| -  | 1   | 0663213500 | O-RING   |                |
| -  | 1   | 0663212900 | O-RING   |                |
| -  | 4   | 0211133000 | SCREW M8X50 DIN 912 12.9 FZB                                 |                |
| -  | 1   | 0663614200 | ORING ID 89.5MM  |                |
| -  | 2   | 0663213300 | O-ring   |                |
| -  | 1   | 3106967000 | PACKING  |                |
| 58 |     | 3371817721 | SCREW M10X20   |                |
| -  | 4   | 3330005700 | VALVE SEAT   |                |
| -  | 1   | 3371820708 | SEAL 32/45X7/10  |                |
| -  | 1   | 3371802109 | Label  |                |
| -  | 1   | 3371896047 | LABEL  |                |
| -  | 2   | 0663612000 | O-ring, 13.1 x 1.6 mm (70 shore), 0.52 x 0.06 in. (70 shore) |                |
| -  | 2   | 0663612900 | O-RING   |                |
| -  | 1   |            | Blade - rotor  |                |
| -  | 1   | 9000031300 | CLAW COUPLING  |                |
| -  | 1   | 3371814709 | SEAL RING 8,7/13X1   |                |
| -  | 2   | 3330000500 | SEAL.WASHER  |                |
| -  | 1   | 3371896048 | LABEL  |                |
| -  | 1   | 3106967500 | WASHER   |                |
| -  | 4   | 3330005800 | FLAP   |                |
| 79 |     | 0211136300 | Screw  |                |
| -  | 1   | 0663918400 | O-ring   |                |
| -  | 1   | 9000019700 | HOSE CLAMP   |                |

| Id | Qty | Number     | Name                                    | Specifications |
|----|-----|------------|---|----------------|
| -  | 1   |            | O-RING                                  |                |
| -  | 1   | 3371815738 | LOCKING RING                            |                |
| -  | 1   | 0502222100 | BALL BEARING                            |                |
| -  | 1   | 3371802108 | Label                                   |                |
| -  | 1   | 3371802107 | Label                                   |                |
| -  | 1   | 3371814754 | LOCKING RING 38                         |                |
| -  | 2   | 0335351602 | SNAP RING DIA8-DIA7.6                   |                |
| -  | 1   | 0663613900 | O RING                                  |                |
| -  | 1   | 3121001200 | PACKING                                 |                |
| -  | 1   | 3000012100 | RUBB.PACKING                            |                |
| -  | 1   |            | Gasket - seal plate                     |                |
| -  | 1   | 0663614000 | O RING 79.5X3                           |                |
| -  | 4   | 0101414000 | Pin                                     |                |
| 62 |     | 3377000432 | ADAPTOR 08-06                           |                |
| -  | 1   | 3330000400 | WASHER                                  |                |
| -  | 4   | 0663215200 | O-ring, 124.3 x 5.7 mm, 4.89 x 0.22 in. |                |
| -  | 1   | 3371820700 | SHIM PS 8X14X0.5                        |                |
| -  | 1   | 3371802106 | Label                                   |                |
| -  | 1   | 3121007200 | RING                                    |                |
| -  | 1   | 3115098280 | VALVE BODY                              |                |
| -  | 1   | 9238270790 | TEMPLATE                                |                |
| -  | 1   | 3100964600 | PACKING                                 |                |
| -  | 1   |            | O-RING                                  |                |
| -  | 1   | 3371814748 | O-RING 25X1.5                           |                |
| -  | 1   |            | Seal - oil                              |                |
| -  | 1   | 3100965300 | PACKING                                 |                |
| -  | 1   | 3000964600 | Packing                                 |                |
| -  | 1   | 3371814749 | O-RING 13X1.5                           |                |
| -  | 1   | 3371802105 | Label                                   |                |
| -  | 4   | 0147137202 | Screw, M10 x 75 mm                      |                |
| -  | 1   | 0504221700 | Bearing                                 |                |
| 70 |     | 0211136300 | Screw                                   |                |
| -  | 1   | 0518125500 | SEAL RING                               |                |
| -  | 2   | 3371820706 | O-RING 22X1.5                           |                |
| -  | 1   |            | BRAKERING                               |                |
| -  | 1   | 3162097600 | GASKET                                  |                |
| -  | 1   | 3121054500 | PACKING                                 |                |
| -  | 2   | 3132017300 | PACKING                                 |                |
| -  | 2   | 3371814750 | O-RING 12X1.5                           |                |
| -  | 1   | 3330002300 | NUT                                     |                |
| -  | 1   | 3371814751 | O-RING 69X1.5                           |                |
| -  | 1   | 3371817757 | O-RING 6X2                              |                |
| -  | 1   | 3376100084 | O-RING 8X2                              |                |
| -  | 1   | 3371820718 | SEAL RING 9/14X1                        |                |
| -  | 1   | 3371820725 | O-RING 82X1.5                           |                |
| -  | 1   | 3371820726 | O-RING 16X1.5                           |                |
| -  | 1   | 3371820167 | BACK-UP WASHER 32.7/45X                 |                |
| -  | 1   | 3371820727 | LOCKING RING                            |                |

|   |   |   |   |   |   |  |
|---|---|---|---|---|---|--|
| 1 |   |   |   |   |   |  |
| 2 | 3 | 4 | 5 | 6 | 7 |  |



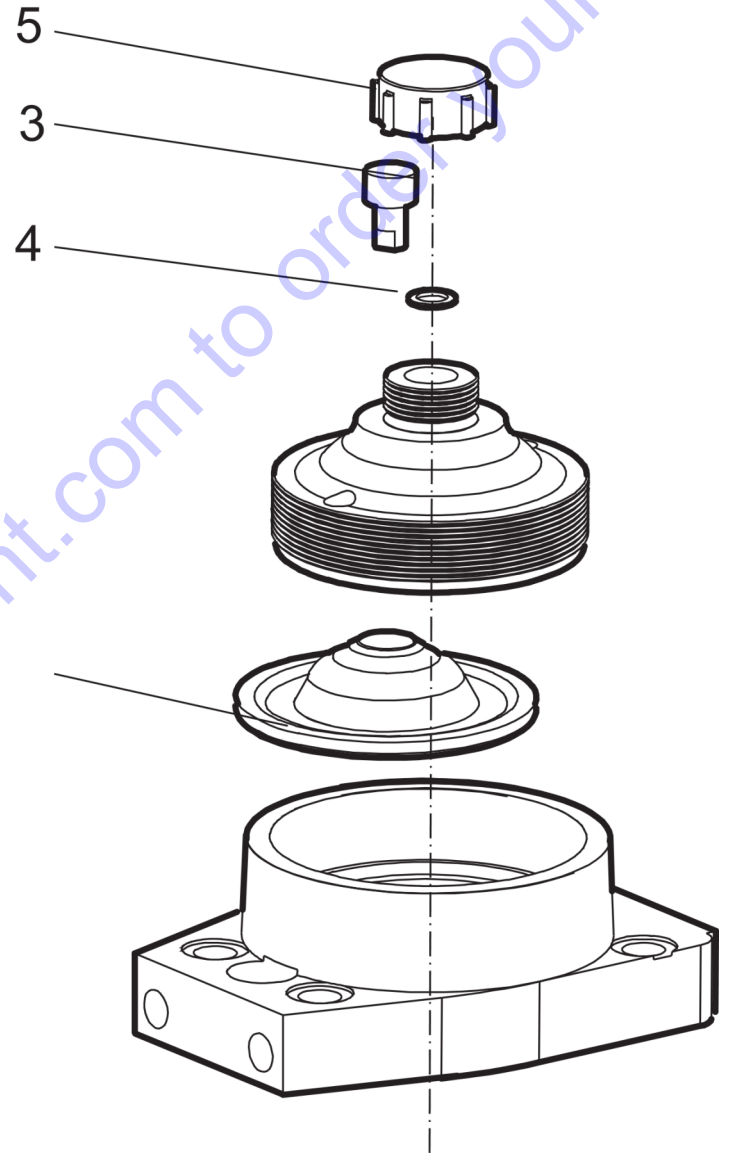
|   |    |    |    |    |    |  |  |  |  |  |  |  |  |
|---|----|----|----|----|----|--|--|--|--|--|--|--|--|
| 8 |    |    |    |    |    |  |  |  |  |  |  |  |  |
| 9 | 10 | 11 | 12 | 13 | 14 |  |  |  |  |  |  |  |  |



| Id | Qty | Number     | Name                     | Specifications |
|----|-----|------------|--------------------------|----------------|
| 2  | 1   | 3376117071 | protective nut           |                |
| 3  | 1   | 3371814709 | SEAL RING 8,7/13X1       |                |
| 4  | 1   | 3371813103 | Charging screw           |                |
| 5  | 1   | 3371814102 | ACCUMULATOR COVER        |                |
| 6  | 1   | 3371814052 | Diaphragm                |                |
| 7  | 1   | 3371814104 | ACCUMULATOR BODY         |                |
| 8  | 1   | 3371801155 | FILLING DEVICE COMPLETE  |                |
| 9  | 1   | 3371807780 | ADAPTER                  |                |
| 10 | 1   |            | Manometer                |                |
| 11 | 1   | 3371807760 | TOOL F/ACCUMULATOR COMPL |                |
| 12 | 1   |            | Suitcase                 |                |
| 13 | 1   | 3371807779 | FILLING HOSE             |                |
| 14 | 1   | 3371807778 | FILLING DEVICE           |                |
| -  | 1   |            | Adapters                 |                |

Go to Discount-Equipment.com to order your parts

|   |   |   |   |  |
|---|---|---|---|--|
| 1 |   |   |   |  |
| 2 | 3 | 4 | 5 |  |

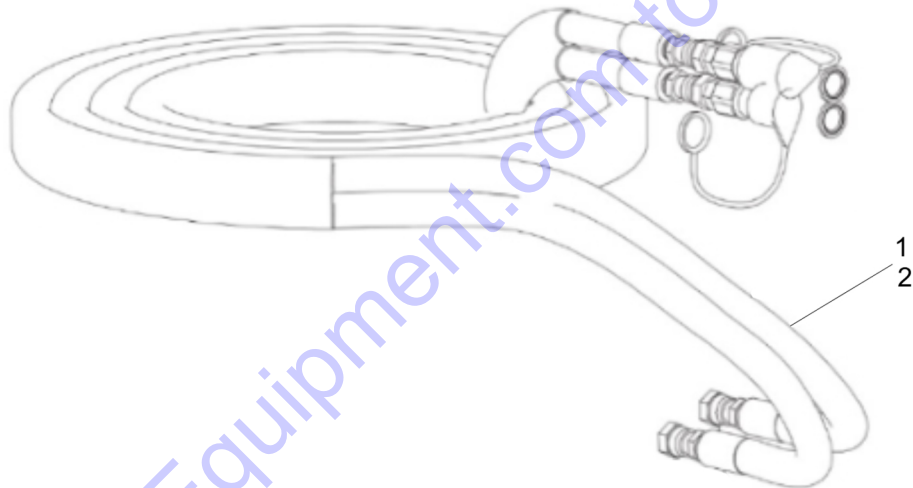


Go to Discount-Equipment.com to order your parts

| <b>Id</b> | <b>Qty</b> | <b>Number</b> | <b>Name</b>        | <b>Specifications</b> |
|-----------|------------|---------------|--------------------|-----------------------|
| 2         | 1          | 3371814052    | Diaphragm          |                       |
| 3         | 1          | 3371813103    | Charging screw     |                       |
| 4         | 1          | 3371814709    | SEAL RING 8,7/13X1 |                       |
| 5         | 1          | 3376117071    | protective nut     |                       |

Go to Discount-Equipment.com to order your parts

| Description                   | Length |    | Diameter |    | Weight           | Comments   | Part number    |
|-------------------------------|--------|----|----------|----|------------------|--|----------------|
|                               | m      | ft | mm       | in | kg <sup>1)</sup> |  |                |
| Hydraulic twin-extension hose | 7.0    | 23 | 12.5     | ½  | 8.3              | Incl. ½ inch Flat-Face quick-release couplings         | 1 3371 8010 87 |
|                               | 12.0   | 39 | 12.5     | ½  | 13.3             | Incl. ½ inch Flat-Face quick-release couplings         | 13371 8010 89  |
|                               | 7.0    | 23 | 12.5     | ½  | 8.0              | Incl. ½ inch BSP female connection for direct mounting | 13371 8010 82  |
| Double connection hoses       | 1.6    | 5  | 12.5     | ½  | 1.7              | -  | 2 3371 8011 90 |



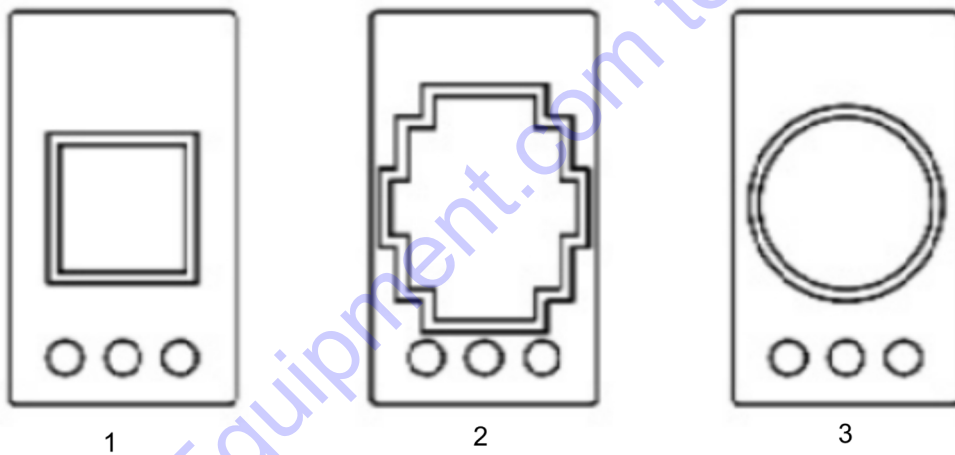
For tech. details check next page



| <b>Id</b> | <b>Qty</b> | <b>Number</b> | <b>Name</b>              | <b>Specifications</b> |
|-----------|------------|---------------|--------------------------|-----------------------|
| 1         | 1          | 3371801087    | 7 m Twin extension hose  |                       |
| 1         | 1          | 3371801089    | 12 m Twin extension hose |                       |
| 1         | 1          | 3371801082    | 7 m Twin hose            |                       |
| 2         | 1          | 3371801190    | 1.6 M TAIL-HOSE SET      |                       |

Go to Discount-Equipment.com to order your parts

| Description                           | Adaptor size |         | Weight           | Comments                                      | Part number    |
|---------------------------------------|--------------|---------|------------------|---|----------------|
|                                       | mm           | in      | kg <sup>1)</sup> |   |                |
| Adaptor square                        | □ 54         | □ 2 1/8 | 2.0              | -   | 1 3371 8060 32 |
| Adaptor universal<br>(round / square) | 63           | 2 1/2   | 1.6              | Max. dimensions 102 x 70 mm<br>(4 x 2 3/4 in) | 2 3371 8060 33 |
| Adaptor round                         | Ø 96         | Ø 3 3/4 | 1.4              | -   | 3 3371 8060 34 |
| C120 post<br>driver kit               | -            | -       | -                | -   | 4 3371 8060 46 |
| Round poles                           | 64           | 2 1/2   | -                | -   | 5 3371 8060 47 |
| Round poles                           | 76           | 3       | -                | -   | 5 3371 8060 48 |
| Round poles                           | 89           | 3 1/2   | -                | -   | 5 3371 8060 49 |
| Round poles                           | 102          | 4       | -                | -   | 5 3371 8060 50 |
| Round poles                           | 127          | 5       | -                | -   | 5 3371 8060 51 |

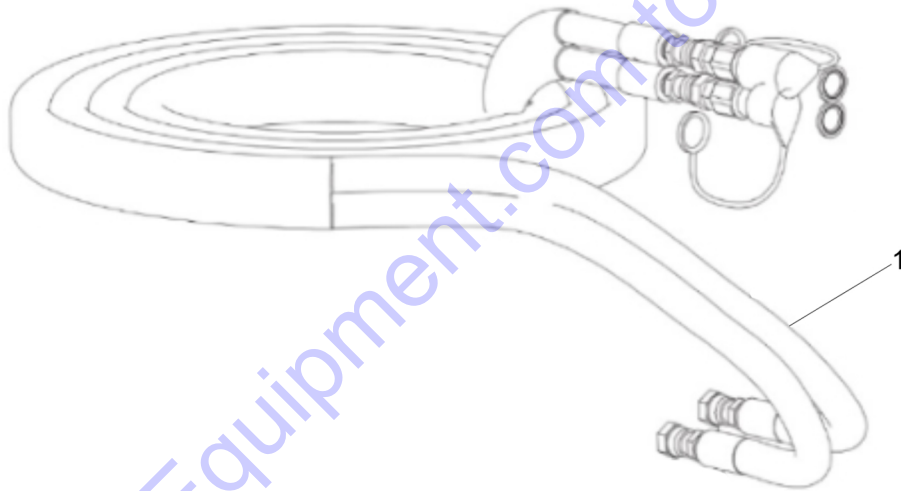


For tech. details check next page

| <b>Id</b> | <b>Qty</b> | <b>Number</b> | <b>Name</b>           | <b>Specifications</b> |
|-----------|------------|---------------|-----------------------|-----------------------|
| 1         | 1          | 3371806032    | Adaptor, square 54 mm |                       |
| 2         | 1          | 3371806033    | Adaptor, Universal    |                       |
| 3         | 1          | 3371806034    | Adaptor, round 3.8"   |                       |
| 4         | 1          | 3371806046    | DRIVER KIT 120 MM     |                       |
| 5         | 1          | 3371806047    | Driver kit 2.5" tubes |                       |
| 5         | 1          | 3371806048    | Driver kit 3.0" tubes |                       |
| 5         | 1          | 3371806049    | Driver kit 3.5" tubes |                       |
| 5         | 1          | 3371806050    | Driver kit 4.0" tubes |                       |
| 5         | 1          | 3371806051    | Driver kit 5.0" tubes |                       |

Go to Discount-Equipment.com to order your parts

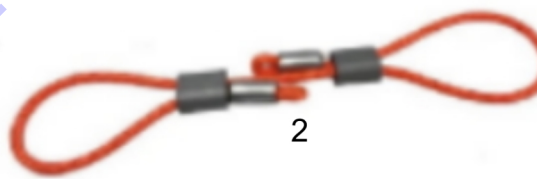
| Description                   | Length | Diameter | Weight | Comments   | Part number  |
|-------------------------------|--------|----------|--------|--|--------------|
|                               | ft     | in       | lbs    |  |              |
| Hydraulic twin-extension hose | 30     | ½        | 22     | ½" pressure and ¾" return hose with ½" flat-face quick release couplings   | 9246 0204 98 |
| Hydraulic twin-extension hose | 50     | ½        | 37     |  | 9246 0204 99 |
| Hydraulic twin-extension hose | 15     | ½ & ¾    | 12     | ½" pressure and ¾" return hose with ½" flat-face male and female quick release couplings connect to Chicago Pneumatic handheld hydraulic units and the ¾" male and female flat faced couplings connects to PTO | 9246 0205 02 |
| Hydraulic twin-extension hose | 30     | ½ & ¾    | 24     |  | 9246 0205 03 |
| Hydraulic twin-extension hose | 50     | ½ & ¾    | 37     |  | 9246 0205 04 |



For tech. details check next page

| Id | Qty | Number     | Name                          | Specifications |
|----|-----|------------|-------------------------------|----------------|
| 1  | 1   | 9246020498 | Hydraulic twin-extension hose |                |
| 1  | 1   | 9247020499 | Hydraulic twin-extension hose |                |
| 1  | 1   | 9246020502 | Hydraulic twin-extension hose |                |
| 1  | 1   | 9246020503 | HYD HOSE ASSY 30'X1/2"X3      |                |
| 1  | 1   | 9246020504 | Hydraulic twin-extension hose |                |

Go to Discount-Equipment.com to order your parts



Go to Discount-Equipment.com to order your parts



| Id | Qty | Number     | Name  | Specifications |
|----|-----|------------|---|----------------|
| 1  | 1   | 3310101858 | WHIP CHECK 1/2"-1.1/4",L=540mm              |                |
| 1  | 1   | 3310101859 | WHIP CHECK 1.1/2"-3",L=965mm                |                |
| 1  | 1   | 3310101860 | WHIP CHECK 3"-6",L=1150mm                   |                |
| 2  | 1   | 3310102546 | WHIPCHECK PRO 1/2 -<br>4",L=500MM,BS=1000KG |                |

Go to Discount-Equipment.com to order your parts

# PARTS FINDER

**Search Website  
by Part Number**



**Search Manual  
Library For Parts  
Manual & Lookup Part  
Numbers – Purchase  
or Request Quote**

**Search Manuals**

Enter your information to help us find the right parts manual for your machine.

\* Brand:

\* Model:

\* Serial:

\* Part Number:

SEARCH

**Can't Find Part or  
Manual? Request Help  
by Manufacturer,  
Model & Description**

**Parts Order Form**

Please fill in the following information to help us find the right part for your machine.

|               |                      |
|---------------|----------------------|
| Manufacturer: | <input type="text"/> |
| Model:        | <input type="text"/> |
| Description:  | <input type="text"/> |
| Part Number:  | <input type="text"/> |
| Quantity:     | <input type="text"/> |
| Notes:        | <input type="text"/> |

Submit

Discount-Equipment.com is your online resource for quality parts & equipment.

Florida: **561-964-4949** Outside Florida TOLL FREE: **877-690-3101**

**Need parts?**

Click on this link: <http://www.discount-equipment.com/category/5443-parts/> and choose one of the options to help get the right parts and equipment you are looking for. Please have the machine model and serial number available in order to help us get you the correct parts. If you don't find the part on the website or on one of the online manuals, please fill out the request form and one of our experienced staff members will get back to you with a quote for the right part that your machine needs.

We sell worldwide for the brands: Genie, Terex, JLG, MultiQuip, Mikasa, Essick, Whiteman, Mayco, Toro Stone, Diamond Products, Generac Magnum, Airman, Haulotte, Barreto, Power Blanket, Nifty Lift, Atlas Copco, Chicago Pneumatic, Allmand, Miller Curber, Skyjack, Lull, Skytrak, Tsurumi, Husquvarna Target, Stow, Wacker, Sakai, Mi-T-M, Sullair, Basic, Dynapac, MBW, Weber, Bartell, Bennar Newman, Haulotte, Ditch Runner, Menegotti, Morrison, Contec, Buddy, Crown, Edco, Wyco, Bomag, Laymor, EZ Trench, Bil-Jax, F.S. Curtis, Gehl Pavers, Heli, Honda, ICS/PowerGrit, IHI, Partner, Imer, Clipper, MMD, Koshin, Rice, CH&E, General Equipment, Amida, Coleman, NAC, Gradall, Square Shooter, Kent, Stanley, Tamco, Toku, Hatz, Kohler, Robin, Wisconsin, Northrock, Oztec, Toker TK, Rol-Air, APT, Wylie, Ingersoll Rand / Doosan, Innovatech, Con X, Ammann, Mecalac, Makinex, Smith Surface Prep, Small Line, Wanco, Yanmar