



**Discount  
Equipment**

[www.discount-equipment.com](http://www.discount-equipment.com)

---

Filter	1801404001,PUN 000001 -
Identity	1801404001
Specifications	Product number: 1801404001, Product number: 1801405001, Division: Portable Air, Product group: Hydraulic handheld, Product type: Hydraulic post and ground rod drivers and pullers , Product: PDR CP Post Driver, Product Company: Chakan

---

# PARTS FINDER

**Search Website  
by Part Number**



**Search Manual  
Library For Parts  
Manual & Lookup Part  
Numbers – Purchase  
or Request Quote**

**Search Manuals**

Enter your information to help us find the right parts manual for your machine.

\* Brand:

\* Model:

\* Serial:

\* Part Number:

SEARCH

**Can't Find Part or  
Manual? Request Help  
by Manufacturer,  
Model & Description**

**Parts Order Form**

Please fill in the following information to help us find the right part for your machine.

MANUFACTURER:

MODEL:

DESCRIPTION:

DATE:

TIME:

PHONE:

EMAIL:

ADDRESS:

CITY:

STATE:

ZIP:

COUNTRY:

SEARCH

Discount-Equipment.com is your online resource for quality parts & equipment.

Florida: **561-964-4949** Outside Florida TOLL FREE: **877-690-3101**

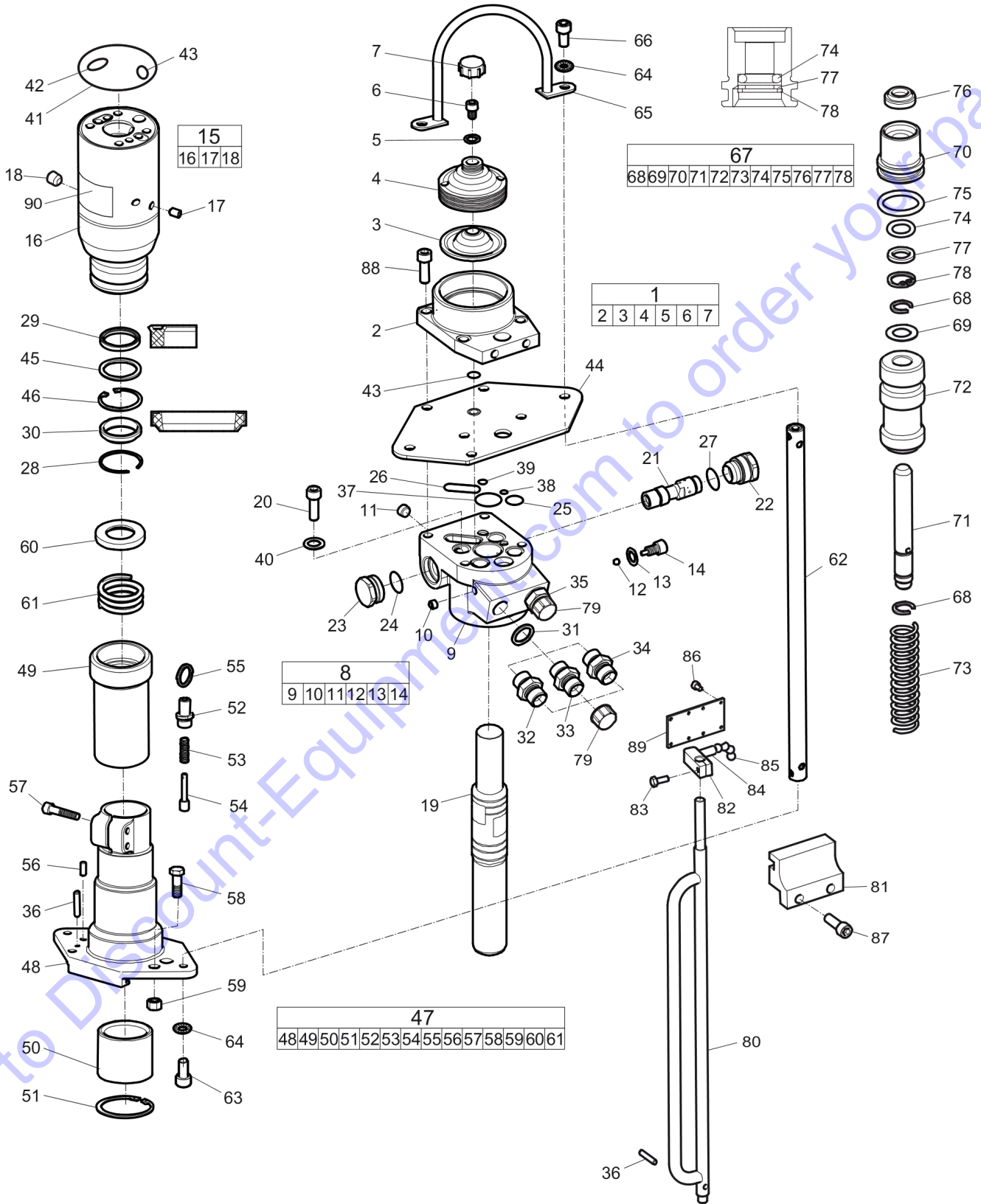
**Need parts?**

Click on this link: <http://www.discount-equipment.com/category/5443-parts/> and choose one of the options to help get the right parts and equipment you are looking for. Please have the machine model and serial number available in order to help us get you the correct parts. If you don't find the part on the website or on one of the online manuals, please fill out the request form and one of our experienced staff members will get back to you with a quote for the right part that your machine needs.

We sell worldwide for the brands: Genie, Terex, JLG, MultiQuip, Mikasa, Essick, Whiteman, Mayco, Toro Stone, Diamond Products, Generac Magnum, Airman, Haulotte, Barreto, Power Blanket, Nifty Lift, Atlas Copco, Chicago Pneumatic, Allmand, Miller Curber, Skyjack, Lull, Skytrak, Tsurumi, Husquvarna Target, Stow, Wacker, Sakai, Mi-T-M, Sullair, Basic, Dynapac, MBW, Weber, Bartell, Bennar Newman, Haulotte, Ditch Runner, Menegotti, Morrison, Contec, Buddy, Crown, Edco, Wyco, Bomag, Laymor, EZ Trench, Bil-Jax, F.S. Curtis, Gehl Pavers, Heli, Honda, ICS/PowerGrit, IHI, Partner, Imer, Clipper, MMD, Koshin, Rice, CH&E, General Equipment, Amida, Coleman, NAC, Gradall, Square Shooter, Kent, Stanley, Tamco, Toku, Hatz, Kohler, Robin, Wisconsin, Northrock, Oztec, Toker TK, Rol-Air, APT, Wylie, Ingersoll Rand / Doosan, Innovatech, Con X, Ammann, Mecalac, Makinex, Smith Surface Prep, Small Line, Wanco, Yanmar

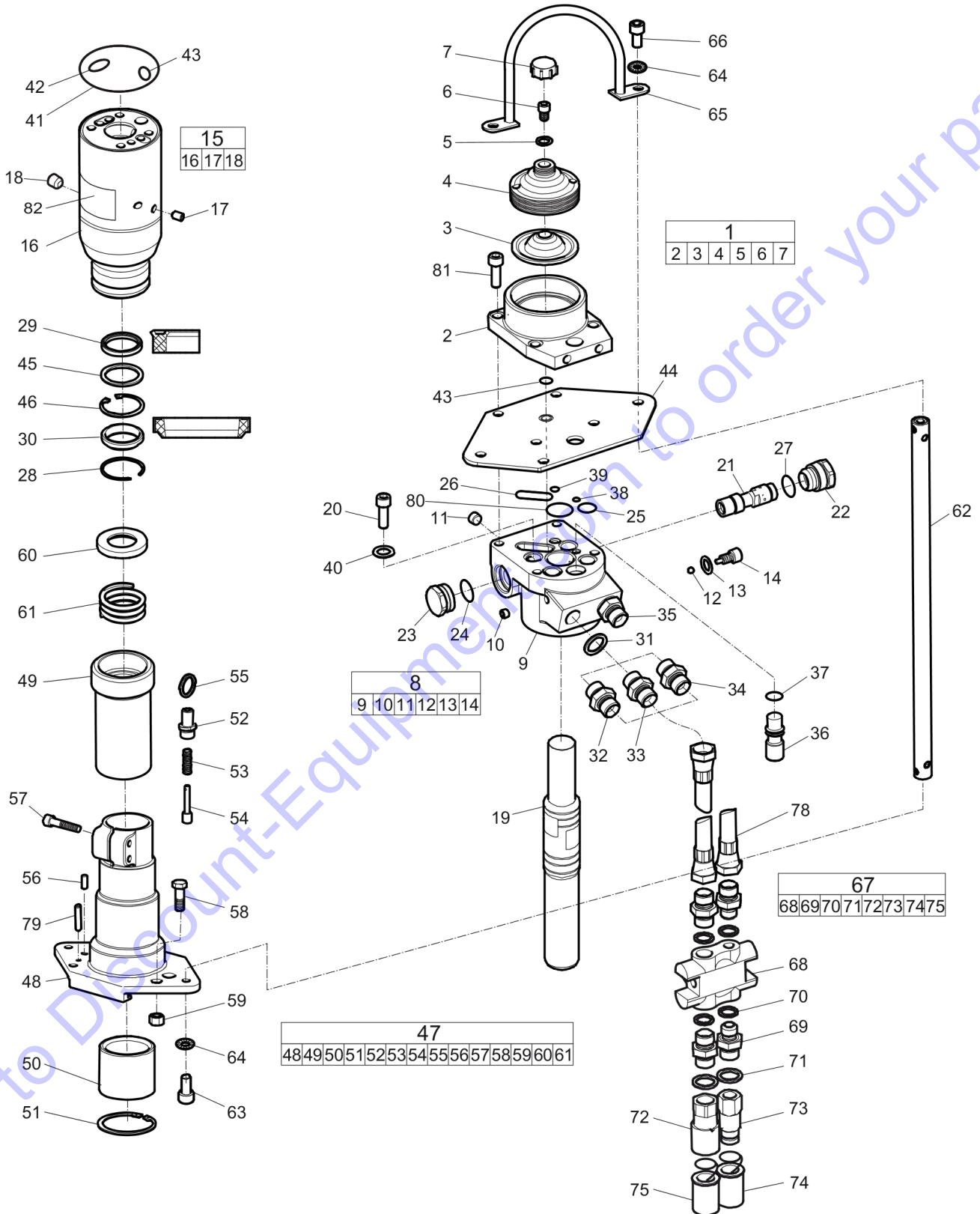
PDR 75 T	hhh_cp_PDR75T_04687
PDR 75 RV	hhh_cp_PDR75RV_04688
Remote valve	hhh_cp_PDR-RV_04689
Breaker and hammer AIR-OIL	no-illustration
Breaker and hammer AIR-OIL	no-illustration
Breaker and hammer AIR-OIL	no-illustration
Accumulator kit	
Accumulator repair kit	APP
Whip Check	Whipchec_AC
Hydraulic hoses	Hydraulichoses
Adaptors for hydraulic post driver	AdaptorsLPD
Hydraulic twin hoses	Hydraulictwinhoses_CP

Go to Discount-Equipment.com to order your parts



<b>Id</b>	<b>Qty</b>	<b>Number</b>	<b>Name</b>	<b>Specifications</b>
1	1	3371820050	ACCUMULATOR KIT	
2	1	3371820101	ACCUMULATOR BODY	
3	1	3371814052	Diaphragm	
4	1	3371814102	ACCUMULATOR COVER	
5	1	0661100022	SEAL WASHER	
6	1	3371813103	Charging screw	
7	1	3376117071	protective nut	
8	1	3371821064	cylinder plugged lh35	
9	1		Valve housing	
10	4	0686612600	PLUG	
11	2	0686612800	PLUG	
12	1	0517110900	Ball	
13	1	3371820718	SEAL RING 9/14X1	
14	1	3371820115	SCREW	
15	1	3371821063	Cylinder HBP	
16	1		Cylinder with one groove	
17	2	0686612600	PLUG	
18	1	0686612800	PLUG	
19	1	3371821132	STRIKING PISTON HBP	
20	4	0211136400	HEX SOCK. SCREW	
21	1	3371821133	SPOOL HBP	
22	1	3371821134	GUIDE SOCKET HBP	
23	1	3371820267	SPOOL SOCKET	
24	1	3371820702	O-RING 24X1.5	
25	4	3371820703	O-RING 18X2	
26	1	3371820705	O-RING 32X2	
27	1	3371820762	O-RING 25.12X1.78	
28	1	0335350801	SNAP RING DIA 45	
29	1	3371820176	SEAL 32/40X6	
30	1	3371820708	SEAL 32/45X7/10	
31	2	0661100039	SEALING WASHER 21.54X28.58	
32	1	0603420010	NIPLE G1/2"	
33	1	3371818013	T-CONNECTION BSP 4.2	
34	1	3371818020	T-CONNECTION BSP 3.4	
35	1	0603420010	NIPLE G1/2"	
36	2	0108110357	DOWEL PIN	
37	1	3371820704	O-RING 30X2	
38	1	3371817757	O-RING 6X2	
39	1	3376100084	O-RING 8X2	
40	4	3371815735	Back-up washer	
41	1	3371820725	O-RING 82X1.5	
42	1	3371820726	O-RING 16X1.5	
43	2	3371814749	O-RING 13X1.5	
44	1	3371820281	TOP PLATE	
45	1	3371820167	BACK-UP WASHER 32.7/45X	
46	1	3371820727	LOCKING RING	
47	1	3371820093	NOSE PART COMPLETE	
48	1	3371820282	NOSE PART	

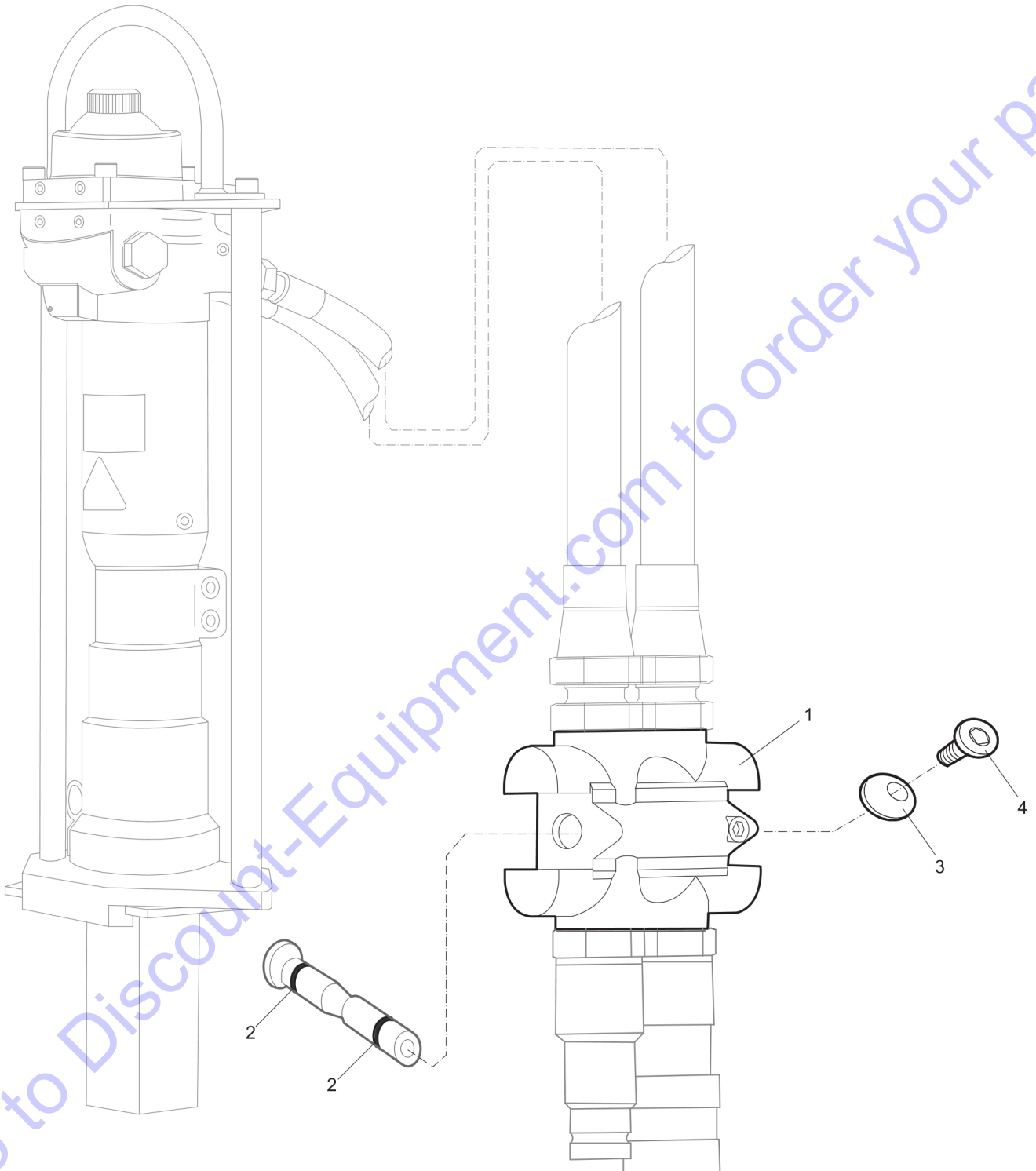
<b>Id</b>	<b>Qty</b>	<b>Number</b>	<b>Name</b>	<b>Specifications</b>
49	1	3371820283	ANVIL	
50	1	3371820284	BUSHING	
51	1	0335216000	INT.CIRCLIP	
52	1	3371820285	PIN HOUSING	
53	1	3371820286	SPRING	
54	1	3371820287	LOCK PIN	
55	1	3371820756	SPLIT RING	
56	1	0108135300	SPRING PIN	
57	2	0211136800	HEX SOCK. SCREW	
58	1	0147140203	BOLT M12*35 FZB	
59	1	0291111200	LOCK NUT M12 DIN985 CL8 FZB	
60	1	3371821136	Washer	
61	1	3371821135	SPRING	
62	2	3371820288	HANDLE	
63	2	3371814728	SCREW M10X20	
64	4	0301234400	WASHER-FLAT:M10.5/22.0X2.0T	
65	1	3371820294	LIFTING BRACKET	
66	2	3371817721	SCREW M10X20	
67	1	3371820053	Valve housing plugged	
68	2	0335351602	SNAP RING DIA8-DIA7.6	
69	1	3371820700	SHIM PS 8X14X0.5	
70	1	3371820108	TRIGGER SPOOL	
71	1	3371820136	TRIGGER ROD	
72	1	3371814120	PACKING GLAND	
73	1	3371820137	SPRING	
74	1	3371814700	O-RING 8.3X2.4	
75	1	0663212300	O-RING	
76	1	3371805503	SEAL 8/14X3.5/5	
77	1	3371814701	Back-up ring	
78	1	0335350152	SNAP RING DIA12-DIA12.4	
79	2	3371813709	PROTECTIVE CAP 1/2"	
80	1	3371820289	TRIGGER LEVER	
81	1	3371820290	HOUSING F/TRIGGER	
82	1	3371820292	TRIGGER	
83	1	0211124600	SCREW	
84	1	3371820760	CYLINDER PIN 3/8X1"	
85	4	0517111600	BEARING BALL 3/8 - STEEL	
86	4	0211120303	HEX. SOCK. SCREW	
87	2	0211136300	Screw	
88	4	0211136400	HEX SOCK. SCREW	
89	1	3371820291	PLATE F/TRIGGER	
90	1		Data plate (Not available separately)	



Id	Qty	Number	Name	Specifications
1	1	3371820050	ACCUMULATOR KIT	
2	1	3371820101	ACCUMULATOR BODY	
3	1	3371814052	Diaphragm	
4	1	3371814102	ACCUMULATOR COVER	
5	1	0661100022	SEAL WASHER	
6	1	3371813103	Charging screw	
7	1	3376117071	protective nut	
8	1	3371821064	cylinder plugged lh35	
9	1		Valve housing	
10	4	0686612600	PLUG	
11	2	0686612800	PLUG	
12	1	0517110900	Ball	
13	1	3371820718	SEAL RING 9/14X1	
14	1	3371820115	SCREW	
15	1	3371821063	Cylinder HBP	
16	1		Cylinder with one groove	
17	2	0686612600	PLUG	
18	1	0686612800	PLUG	
19	1	3371821132	STRIKING PISTON HBP	
20	4	0211136400	HEX SOCK. SCREW	
21	1	3371821133	SPOOL HBP	
22	1	3371821134	GUIDE SOCKET HBP	
23	1	3371820267	SPOOL SOCKET	
24	1	3371820702	O-RING 24X1.5	
25	4	3371820703	O-RING 18X2	
26	1	3371820705	O-RING 32X2	
27	1	3371820762	O-RING 25.12X1.78	
28	1	0335350801	SNAP RING DIA 45	
29	1	3371820176	SEAL 32/40X6	
30	1	3371820708	SEAL 32/45X7/10	
31	2	0661100039	SEALING WASHER 21.54X28.58	
32	1	0603420010	NIPLE G1/2"	
33	1	3371818013	T-CONNECTION BSP 4.2	
34	1	3371818020	T-CONNECTION BSP 3.4	
35	1	0603420010	NIPLE G1/2"	
36	1	3371820240	TRIGGER VALVE	
37	1	0663212300	O-RING	
38	1	3371817757	O-RING 6X2	
39	1	3376100084	O-RING 8X2	
40	4	3371815735	Back-up washer	
41	1	3371820725	O-RING 82X1.5	
42	1	3371820726	O-RING 16X1.5	
43	2	3371814749	O-RING 13X1.5	
44	1	3371820281	TOP PLATE	
45	1	3371820167	BACK-UP WASHER 32.7/45X	
46	1	3371820727	LOCKING RING	
47	1	3371820093	NOSE PART COMPLETE	
48	1		Nose part	



Id	Qty	Number	Name	Specifications
49	1	3371820283	ANVIL	
50	1	3371820284	BUSHING	
51	1	0335216000	INT.CIRCLIP	
52	1	3371820285	PIN HOUSING	
53	1	3371820286	SPRING	
54	1	3371820287	LOCK PIN	
55	1	3371820756	SPLIT RING	
56	1	0108135300	SPRING PIN	
57	2	0211136800	HEX SOCK. SCREW	
58	1	0147140203	BOLT M12*35 FZB	
59	1	0291111200	LOCK NUT M12 DIN985 CL8 FZB	
60	1	3371821136	Washer	
61	1	3371821135	SPRING	
62	2	3371820288	HANDLE	
63	2	3371814728	SCREW M10X20	
64	4	0301234400	WASHER-FLAT:M10.5/22.0X2.0T	
65	1	3371820294	LIFTING BRACKET	
66	2	3371817721	SCREW M10X20	
67	1	3371821043	ON-OFF VALVE COMPLETE	
68	1		On/off valve	
69	4	3377000432	ADAPTOR 08-06	
70	4	0661100040	WASH SEAL 14.76	
71	2	0661100039	SEALING WASHER 21.54X28.58	
72	1	3371805133	Q.R. coupling 08 female	
73	1	3371805134	Q.R. coupling 08 male	
74	1	3371805732	PROTECTIVE CAP 1/2" MALE	
75	1	3371805733	PROTECTIVE CAP 1/2" FEMA	
78	2	3371803068	1.8 M 1/2" HOSE	
79	2	0108110357	DOWEL PIN	
80	1	3371820704	O-RING 30X2	
81	4	0211136400	HEX SOCK. SCREW	
82	1		Data plate (Not available separately)	



<b>Id</b>	<b>Qty</b>	<b>Number</b>	<b>Name</b>	<b>Specifications</b>
1	1	3371821043	ON-OFF VALVE COMPLETE	
2	2	3371821706	O-RING ?13?2	
3	2	3371821144	BUTTON	
4	2	0216124600	HEX. SOCK M6X16X10.9	

Go to Discount-Equipment.com to order your parts

NO EXPLODED VIEW  
AVAILABLE  
FOR THIS BOM

Go to [Discount-Equipment.com](https://Discount-Equipment.com) to order your parts

Id	Qty	Number	Name	Specifications
20		0211136400	HEX SOCK. SCREW	
-	2	3371803075	HOSE 1.6 M	
-	1	3371805503	SEAL 8/14X3.5/5	
-	1	8461020853	TEX 3, 19x50	
-	2	3371803050	0.4 m 1/2" hose	
-	1	9030206900	Water flushing hose BBC/BBD/RH (PM)	
1	1	8099020240	Breaker and hammer AIR-OIL,0.25 l, 0.06 US gallon	
-	1		Vibration handle kit	
-	2	3121029200	NUT	
-	1	3371896061	LABEL	
-	2	0661100039	SEALING WASHER 21.54X28.58	
-	1	3378512072	DUST SEAL	
-	2	0661100027	WASHER-SEAL:M 21.5IDX28.5OD	
-	2	0663614100	O-RING	
22		3371820266	GUIDE SOCKET	
-	1	3371820702	O-RING 24X1.5	
-	1	3371814700	O-RING 8.3X2.4	
-	2	3111002000	PAWL	
-	2	3121034300	SIDEBOLT	
-	2	0663211400	O ring	
-	1	9030204300	HOSE	
-	2	0663211200	O-ring, 5.3 x 2.4 mm (70 shore), 0.21 x 0.09 in. (70 shore)	
-	2	3121087200	NUT	
19	1		Nut - Hexagon	
-	1		Nut - Hexagon	
2	1	8099020236	LUBRICATING OIL	
-	1	3371896062	LABEL	
-	4	3371820703	O-RING 18X2	
23		3371820267	SPOOL SOCKET	
-	1	3378512073	SHAFT SEAL	
-	1	3371805133	Q.R. coupling 08 female	
-	1	3371897166	Product model label	
-	1	0663212300	O-RING	
-	2	4950026400	DIAPHRAGME	
-	1	0663613400	O-ring NBR	
-	1	3371896097	ATLAS COPCO LOGO	
-	2		SIDE BOLT	
-	2	3111002300	SPRING	
-	1	3083322000	MOIL POINT	
20	1		Rod - Threaded	
-	1		Rod - Threaded	
-	2	0663212200	O-RING	
-	1	8202510205	LUBRICATOR BLG 30	
-	2	3121002100	PIN	
-	2		SIDE BOLT	

Id	Qty	Number	Name	Specifications
3	20	8099020281	Breaker and hammer AIR-OIL, 20 x 1 l	bottles (pack)
-	4	3378512086	O-RING	
-	2	3371897155	CP logo	
-	1	3371897082	PRODUCT LABEL "LPD-T"	
-	1	3371897165	Product model label	
-	1	3371805134	Q.R. coupling 08 male	
-	1	3330002200	SLID.O-RING	
-	2	3330008100	STOP	
-	1	3371820704	O-RING 30X2	
-	1	3371814701	Back-up ring	
-	1	3371896000	LABEL	
-	2		NUT	
-	4	0663212400	O-ring 17,3x2,4	
-	1	8202510239	CLG 30	
6	1		Gasket - governor housing	
-	2		Gasket - governor housing	
4	1	8099020202	Breaker and hammer air-oil 5l	
-	1	3083322200	NARROW CHISEL	
32		0603420010	NIPLE G1/2"	
-	2	0663212000	O-ring 13,3x2,4	
-	2	4090020100	Seal	
-	1	3371805733	PROTECTIVE CAP 1/2" FEMA	
-	1	3371897168	LABEL	
-	1	3371897083	PRODUCT LABEL "LPD-RV"	
-	2	3371897156	CP logo	
-	1	3371896113	Label	
-	1	3371897286	Product label	
33		3371818013	T-CONNECTION BSP 4.2	
-	1	0335350152	SNAP RING DIA12-DIA12.4	
-	1	3371897164	Product label	
-	1		O-RING	
7	1		O-RING	
5	4	8099020285	BREAKER AND HAMMER AIR-OIL	(4x5L)
-	1	8099020240	Breaker and hammer AIR-OIL,0.25 l,	0.06 US gallon
-	4	0211124401	SCREW	
-	2	0663212500	O-RING	
-	1	3371820705	O-RING 32X2	
-	6	0663614400	O-ring, 99.5 x 3.0 mm, 3.92 x 0.12 in.	
-	1	3371897080	Product label	
-	1	3371897304	Product label	
-	1	3371896006	Label	
-	1	3371805732	PROTECTIVE CAP 1/2" MALE	
34		3371818020	T-CONNECTION BSP 3.4	
-	1	3371897167	Product label	
-	1	3371897163	Product label	
-	1	3310120600	STORAGE BOX	

Id	Qty	Number	Name	Specifications
-	1	8092011082	VAM 5A WATER SEPARATOR	
-	1	3371820762	O-RING 25.12X1.78	
-	1		O-RING	
-	3	0663212700	O-RING	
-	1	0663212800	O-RING	
-	1	0663212600	O RING	
-	1	3371897081	Product label	
-	2	3371814703	O-RING 24.2X3	
-	1	3371897287	Product label	
-	1	3371897270	Label HBP	
-	1	3330002500	WASHER	
-	1		Pin - governor push	
-	3	0663213200	O-RING	
-	1	3371801087	7 m Twin extension hose	
-	2	0663613600	O-RING 59.5X3	
35		0603420010	NIPLE G1/2"	
-	1	0335350801	SNAP RING DIA 45	
-	1	3371820176	SEAL 32/40X6	
-	1	3371803052	7 m 1/2" hose	
-	4	0663614800	O-ring, 119.5 x 3.0 mm, 4.70 x 0.12 in.	
51		0211141000	HEX SOCK. SCREW M12X75-12.9	
-	2	3371814710	O-RING 33X2	
-	1		Pin - governor weight	
-	1	9030204100	RUBBER HOSE	
-	1	0663213500	O-RING	
-	1	0663212900	O-RING	
-	4	0211133000	SCREW M8X50 DIN 912 12.9 FZB	
-	1	0663614200	ORING ID 89.5MM	
-	2	0663213300	O-ring	
-	1	3106967000	PACKING	
58		3371817721	SCREW M10X20	
-	4	3330005700	VALVE SEAT	
-	1	3371820708	SEAL 32/45X7/10	
-	1	3371802109	Label	
-	1	3371896047	LABEL	
-	2	0663612000	O-ring, 13.1 x 1.6 mm (70 shore), 0.52 x 0.06 in. (70 shore)	
-	2	0663612900	O-RING	
-	1		Blade - rotor	
-	1	9000031300	CLAW COUPLING	
-	1	3371814709	SEAL RING 8,7/13X1	
-	2	3330000500	SEAL.WASHER	
-	1	3371896048	LABEL	
-	1	3106967500	WASHER	
-	4	3330005800	FLAP	
79		0211136300	Screw	
-	1	0663918400	O-ring	
-	1	9000019700	HOSE CLAMP	

Id	Qty	Number	Name	Specifications
-	1		O-RING	
-	1	3371815738	LOCKING RING	
-	1	0502222100	BALL BEARING	
-	1	3371802108	Label	
-	1	3371802107	Label	
-	1	3371814754	LOCKING RING 38	
-	2	0335351602	SNAP RING DIA8-DIA7.6	
-	1	0663613900	O RING	
-	1	3121001200	PACKING	
-	1	3000012100	RUBB.PACKING	
-	1		Gasket - seal plate	
-	1	0663614000	O RING 79.5X3	
-	4	0101414000	Pin	
62		3377000432	ADAPTOR 08-06	
-	1	3330000400	WASHER	
-	4	0663215200	O-ring, 124.3 x 5.7 mm, 4.89 x 0.22 in.	
-	1	3371820700	SHIM PS 8X14X0.5	
-	1	3371802106	Label	
-	1	3121007200	RING	
-	1	3115098280	VALVE BODY	
-	1	9238270790	TEMPLATE	
-	1	3100964600	PACKING	
-	1		O-RING	
-	1	3371814748	O-RING 25X1.5	
-	1		Seal - oil	
-	1	3100965300	PACKING	
-	1	3000964600	Packing	
-	1	3371814749	O-RING 13X1.5	
-	1	3371802105	Label	
-	4	0147137202	Screw, M10 x 75 mm	
-	1	0504221700	Bearing	
70		0211136300	Screw	
-	1	0518125500	SEAL RING	
-	2	3371820706	O-RING 22X1.5	
-	1		BRAKERING	
-	1	3162097600	GASKET	
-	1	3121054500	PACKING	
-	2	3132017300	PACKING	
-	2	3371814750	O-RING 12X1.5	
-	1	3330002300	NUT	
-	1	3371814751	O-RING 69X1.5	
-	1	3371817757	O-RING 6X2	
-	1	3376100084	O-RING 8X2	
-	1	3371820718	SEAL RING 9/14X1	
-	1	3371820725	O-RING 82X1.5	
-	1	3371820726	O-RING 16X1.5	
-	1	3371820167	BACK-UP WASHER 32.7/45X	
-	1	3371820727	LOCKING RING	



NO EXPLODED VIEW  
AVAILABLE  
FOR THIS BOM

Go to [Discount-Equipment.com](https://Discount-Equipment.com) to order your parts

Id	Qty	Number	Name	Specifications
20		0211136400	HEX SOCK. SCREW	
-	2	3371803075	HOSE 1.6 M	
-	1	3371805503	SEAL 8/14X3.5/5	
-	1	8461020853	TEX 3, 19x50	
-	2	3371803050	0.4 m 1/2" hose	
-	1	9030206900	Water flushing hose BBC/BBD/RH (PM)	
1	1	8099020240	Breaker and hammer AIR-OIL,0.25 l, 0.06 US gallon	
-	1		Vibration handle kit	
-	2	3121029200	NUT	
-	1	3371896061	LABEL	
-	2	0661100039	SEALING WASHER 21.54X28.58	
-	1	3378512072	DUST SEAL	
-	2	0661100027	WASHER-SEAL:M 21.5IDX28.5OD	
-	2	0663614100	O-RING	
22		3371820266	GUIDE SOCKET	
-	1	3371820702	O-RING 24X1.5	
-	1	3371814700	O-RING 8.3X2.4	
-	2	3111002000	PAWL	
-	2	3121034300	SIDEBOLT	
-	2	0663211400	O ring	
-	1	9030204300	HOSE	
-	2	0663211200	O-ring, 5.3 x 2.4 mm (70 shore), 0.21 x 0.09 in. (70 shore)	
-	2	3121087200	NUT	
19	1		Nut - Hexagon	
-	1		Nut - Hexagon	
2	1	8099020236	LUBRICATING OIL	
-	1	3371896062	LABEL	
-	4	3371820703	O-RING 18X2	
23		3371820267	SPOOL SOCKET	
-	1	3378512073	SHAFT SEAL	
-	1	3371805133	Q.R. coupling 08 female	
-	1	3371897166	Product model label	
-	1	0663212300	O-RING	
-	2	4950026400	DIAPHRAGME	
-	1	0663613400	O-ring NBR	
-	1	3371896097	ATLAS COPCO LOGO	
-	2		SIDE BOLT	
-	2	3111002300	SPRING	
-	1	3083322000	MOIL POINT	
20	1		Rod - Threaded	
-	1		Rod - Threaded	
-	2	0663212200	O-RING	
-	1	8202510205	LUBRICATOR BLG 30	
-	2	3121002100	PIN	
-	2		SIDE BOLT	

Id	Qty	Number	Name	Specifications
3	20	8099020281	Breaker and hammer AIR-OIL, 20 x 1 l	bottles (pack)
-	4	3378512086	O-RING	
-	2	3371897155	CP logo	
-	1	3371897082	PRODUCT LABEL "LPD-T"	
-	1	3371897165	Product model label	
-	1	3371805134	Q.R. coupling 08 male	
-	1	3330002200	SLID.O-RING	
-	2	3330008100	STOP	
-	1	3371820704	O-RING 30X2	
-	1	3371814701	Back-up ring	
-	1	3371896000	LABEL	
-	2		NUT	
-	4	0663212400	O-ring 17,3x2,4	
-	1	8202510239	CLG 30	
6	1		Gasket - governor housing	
-	2		Gasket - governor housing	
4	1	8099020202	Breaker and hammer air-oil 5l	
-	1	3083322200	NARROW CHISEL	
32		0603420010	NIPLE G1/2"	
-	2	0663212000	O-ring 13,3x2,4	
-	2	4090020100	Seal	
-	1	3371805733	PROTECTIVE CAP 1/2" FEMA	
-	1	3371897168	LABEL	
-	1	3371897083	PRODUCT LABEL "LPD-RV"	
-	2	3371897156	CP logo	
-	1	3371896113	Label	
-	1	3371897286	Product label	
33		3371818013	T-CONNECTION BSP 4.2	
-	1	0335350152	SNAP RING DIA12-DIA12.4	
-	1	3371897164	Product label	
-	1		O-RING	
7	1		O-RING	
5	4	8099020285	BREAKER AND HAMMER AIR-OIL	(4x5L)
-	1	8099020240	Breaker and hammer AIR-OIL,0.25 l,	0.06 US gallon
-	4	0211124401	SCREW	
-	2	0663212500	O-RING	
-	1	3371820705	O-RING 32X2	
-	6	0663614400	O-ring, 99.5 x 3.0 mm, 3.92 x 0.12 in.	
-	1	3371897080	Product label	
-	1	3371897304	Product label	
-	1	3371896006	Label	
-	1	3371805732	PROTECTIVE CAP 1/2" MALE	
34		3371818020	T-CONNECTION BSP 3.4	
-	1	3371897167	Product label	
-	1	3371897163	Product label	
-	1	3310120600	STORAGE BOX	

Id	Qty	Number	Name	Specifications
-	1	8092011082	VAM 5A WATER SEPARATOR	
-	1	3371820762	O-RING 25.12X1.78	
-	1		O-RING	
-	3	0663212700	O-RING	
-	1	0663212800	O-RING	
-	1	0663212600	O RING	
-	1	3371897081	Product label	
-	2	3371814703	O-RING 24.2X3	
-	1	3371897287	Product label	
-	1	3371897270	Label HBP	
-	1	3330002500	WASHER	
-	1		Pin - governor push	
-	3	0663213200	O-RING	
-	1	3371801087	7 m Twin extension hose	
-	2	0663613600	O-RING 59.5X3	
35		0603420010	NIPLE G1/2"	
-	1	0335350801	SNAP RING DIA 45	
-	1	3371820176	SEAL 32/40X6	
-	1	3371803052	7 m 1/2" hose	
-	4	0663614800	O-ring, 119.5 x 3.0 mm, 4.70 x 0.12 in.	
51		0211141000	HEX SOCK. SCREW M12X75-12.9	
-	2	3371814710	O-RING 33X2	
-	1		Pin - governor weight	
-	1	9030204100	RUBBER HOSE	
-	1	0663213500	O-RING	
-	1	0663212900	O-RING	
-	4	0211133000	SCREW M8X50 DIN 912 12.9 FZB	
-	1	0663614200	ORING ID 89.5MM	
-	2	0663213300	O-ring	
-	1	3106967000	PACKING	
58		3371817721	SCREW M10X20	
-	4	3330005700	VALVE SEAT	
-	1	3371820708	SEAL 32/45X7/10	
-	1	3371802109	Label	
-	1	3371896047	LABEL	
-	2	0663612000	O-ring, 13.1 x 1.6 mm (70 shore), 0.52 x 0.06 in. (70 shore)	
-	2	0663612900	O-RING	
-	1		Blade - rotor	
-	1	9000031300	CLAW COUPLING	
-	1	3371814709	SEAL RING 8,7/13X1	
-	2	3330000500	SEAL.WASHER	
-	1	3371896048	LABEL	
-	1	3106967500	WASHER	
-	4	3330005800	FLAP	
79		0211136300	Screw	
-	1	0663918400	O-ring	
-	1	9000019700	HOSE CLAMP	

Id	Qty	Number	Name	Specifications
-	1		O-RING	
-	1	3371815738	LOCKING RING	
-	1	0502222100	BALL BEARING	
-	1	3371802108	Label	
-	1	3371802107	Label	
-	1	3371814754	LOCKING RING 38	
-	2	0335351602	SNAP RING DIA8-DIA7.6	
-	1	0663613900	O RING	
-	1	3121001200	PACKING	
-	1	3000012100	RUBB.PACKING	
-	1		Gasket - seal plate	
-	1	0663614000	O RING 79.5X3	
-	4	0101414000	Pin	
62		3377000432	ADAPTOR 08-06	
-	1	3330000400	WASHER	
-	4	0663215200	O-ring, 124.3 x 5.7 mm, 4.89 x 0.22 in.	
-	1	3371820700	SHIM PS 8X14X0.5	
-	1	3371802106	Label	
-	1	3121007200	RING	
-	1	3115098280	VALVE BODY	
-	1	9238270790	TEMPLATE	
-	1	3100964600	PACKING	
-	1		O-RING	
-	1	3371814748	O-RING 25X1.5	
-	1		Seal - oil	
-	1	3100965300	PACKING	
-	1	3000964600	Packing	
-	1	3371814749	O-RING 13X1.5	
-	1	3371802105	Label	
-	4	0147137202	Screw, M10 x 75 mm	
-	1	0504221700	Bearing	
70		0211136300	Screw	
-	1	0518125500	SEAL RING	
-	2	3371820706	O-RING 22X1.5	
-	1		BRAKERING	
-	1	3162097600	GASKET	
-	1	3121054500	PACKING	
-	2	3132017300	PACKING	
-	2	3371814750	O-RING 12X1.5	
-	1	3330002300	NUT	
-	1	3371814751	O-RING 69X1.5	
-	1	3371817757	O-RING 6X2	
-	1	3376100084	O-RING 8X2	
-	1	3371820718	SEAL RING 9/14X1	
-	1	3371820725	O-RING 82X1.5	
-	1	3371820726	O-RING 16X1.5	
-	1	3371820167	BACK-UP WASHER 32.7/45X	
-	1	3371820727	LOCKING RING	

NO EXPLODED VIEW  
AVAILABLE  
FOR THIS BOM

Go to Discount-Equipment.com to order your parts

Id	Qty	Number	Name	Specifications
20		0211136400	HEX SOCK. SCREW	
-	2	3371803075	HOSE 1.6 M	
-	1	3371805503	SEAL 8/14X3.5/5	
-	1	8461020853	TEX 3, 19x50	
-	2	3371803050	0.4 m 1/2" hose	
-	1	9030206900	Water flushing hose BBC/BBD/RH (PM)	
1	1	8099020240	Breaker and hammer AIR-OIL,0.25 l, 0.06 US gallon	
-	1		Vibration handle kit	
-	2	3121029200	NUT	
-	1	3371896061	LABEL	
-	2	0661100039	SEALING WASHER 21.54X28.58	
-	1	3378512072	DUST SEAL	
-	2	0661100027	WASHER-SEAL:M 21.5IDX28.5OD	
-	2	0663614100	O-RING	
22		3371820266	GUIDE SOCKET	
-	1	3371820702	O-RING 24X1.5	
-	1	3371814700	O-RING 8.3X2.4	
-	2	3111002000	PAWL	
-	2	3121034300	SIDEBOLT	
-	2	0663211400	O ring	
-	1	9030204300	HOSE	
-	2	0663211200	O-ring, 5.3 x 2.4 mm (70 shore), 0.21 x 0.09 in. (70 shore)	
-	2	3121087200	NUT	
19	1		Nut - Hexagon	
-	1		Nut - Hexagon	
2	1	8099020236	LUBRICATING OIL	
-	1	3371896062	LABEL	
-	4	3371820703	O-RING 18X2	
23		3371820267	SPOOL SOCKET	
-	1	3378512073	SHAFT SEAL	
-	1	3371805133	Q.R. coupling 08 female	
-	1	3371897166	Product model label	
-	1	0663212300	O-RING	
-	2	4950026400	DIAPHRAGME	
-	1	0663613400	O-ring NBR	
-	1	3371896097	ATLAS COPCO LOGO	
-	2		SIDE BOLT	
-	2	3111002300	SPRING	
-	1	3083322000	MOIL POINT	
20	1		Rod - Threaded	
-	1		Rod - Threaded	
-	2	0663212200	O-RING	
-	1	8202510205	LUBRICATOR BLG 30	
-	2	3121002100	PIN	
-	2		SIDE BOLT	

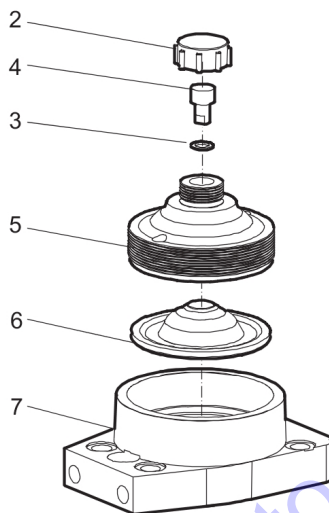
Id	Qty	Number	Name	Specifications
3	20	8099020281	Breaker and hammer AIR-OIL, 20 x 1 l	bottles (pack)
-	4	3378512086	O-RING	
-	2	3371897155	CP logo	
-	1	3371897082	PRODUCT LABEL "LPD-T"	
-	1	3371897165	Product model label	
-	1	3371805134	Q.R. coupling 08 male	
-	1	3330002200	SLID.O-RING	
-	2	3330008100	STOP	
-	1	3371820704	O-RING 30X2	
-	1	3371814701	Back-up ring	
-	1	3371896000	LABEL	
-	2		NUT	
-	4	0663212400	O-ring 17,3x2,4	
-	1	8202510239	CLG 30	
6	1		Gasket - governor housing	
-	2		Gasket - governor housing	
4	1	8099020202	Breaker and hammer air-oil 5l	
-	1	3083322200	NARROW CHISEL	
32		0603420010	NIPLE G1/2"	
-	2	0663212000	O-ring 13,3x2,4	
-	2	4090020100	Seal	
-	1	3371805733	PROTECTIVE CAP 1/2" FEMA	
-	1	3371897168	LABEL	
-	1	3371897083	PRODUCT LABEL "LPD-RV"	
-	2	3371897156	CP logo	
-	1	3371896113	Label	
-	1	3371897286	Product label	
33		3371818013	T-CONNECTION BSP 4.2	
-	1	0335350152	SNAP RING DIA12-DIA12.4	
-	1	3371897164	Product label	
-	1		O-RING	
7	1		O-RING	
5	4	8099020285	BREAKER AND HAMMER AIR-OIL	(4x5L)
-	1	8099020240	Breaker and hammer AIR-OIL,0.25 l,	0.06 US gallon
-	4	0211124401	SCREW	
-	2	0663212500	O-RING	
-	1	3371820705	O-RING 32X2	
-	6	0663614400	O-ring, 99.5 x 3.0 mm, 3.92 x 0.12 in.	
-	1	3371897080	Product label	
-	1	3371897304	Product label	
-	1	3371896006	Label	
-	1	3371805732	PROTECTIVE CAP 1/2" MALE	
34		3371818020	T-CONNECTION BSP 3.4	
-	1	3371897167	Product label	
-	1	3371897163	Product label	
-	1	3310120600	STORAGE BOX	



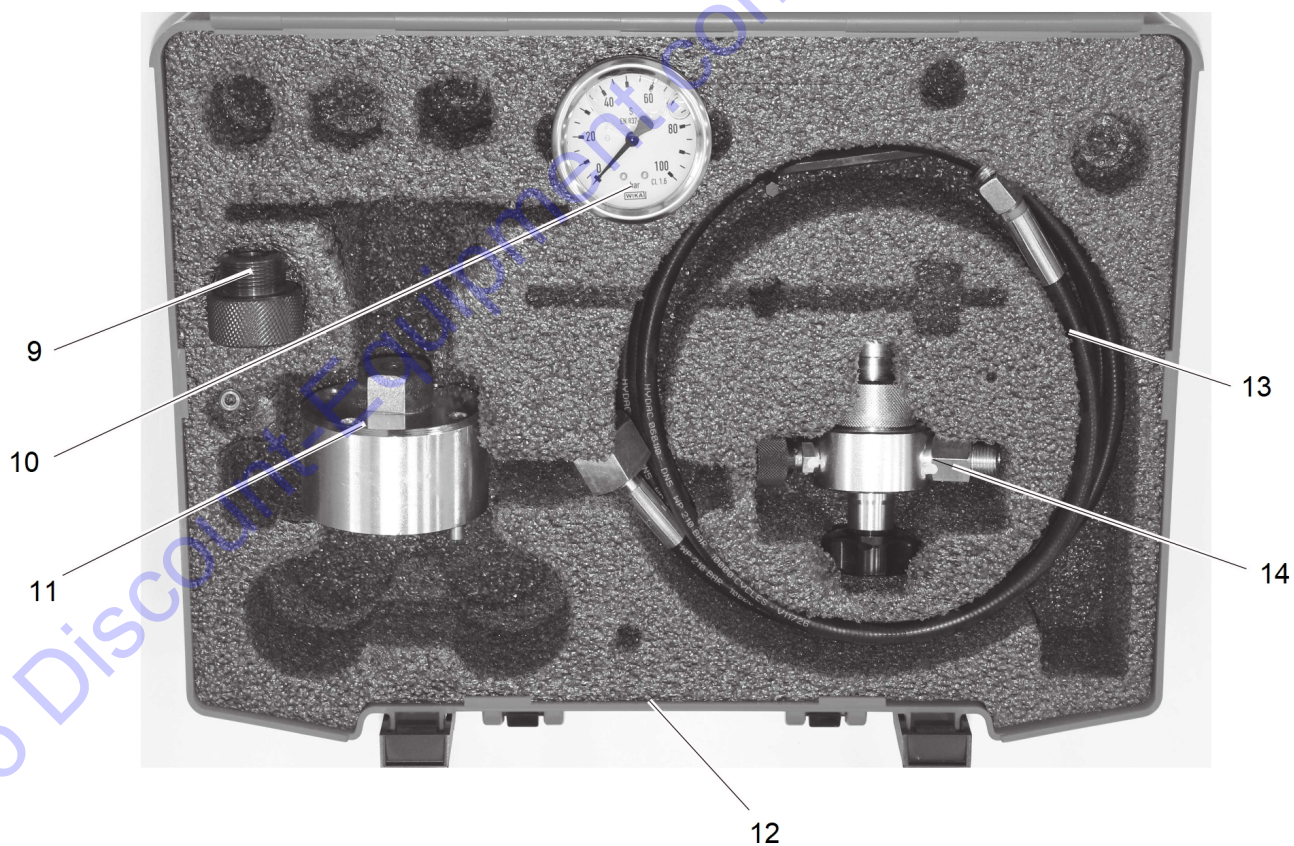
Id	Qty	Number	Name	Specifications
-	1	8092011082	VAM 5A WATER SEPARATOR	
-	1	3371820762	O-RING 25.12X1.78	
-	1		O-RING	
-	3	0663212700	O-RING	
-	1	0663212800	O-RING	
-	1	0663212600	O RING	
-	1	3371897081	Product label	
-	2	3371814703	O-RING 24.2X3	
-	1	3371897287	Product label	
-	1	3371897270	Label HBP	
-	1	3330002500	WASHER	
-	1		Pin - governor push	
-	3	0663213200	O-RING	
-	1	3371801087	7 m Twin extension hose	
-	2	0663613600	O-RING 59.5X3	
35		0603420010	NIPLE G1/2"	
-	1	0335350801	SNAP RING DIA 45	
-	1	3371820176	SEAL 32/40X6	
-	1	3371803052	7 m 1/2" hose	
-	4	0663614800	O-ring, 119.5 x 3.0 mm, 4.70 x 0.12 in.	
51		0211141000	HEX SOCK. SCREW M12X75-12.9	
-	2	3371814710	O-RING 33X2	
-	1		Pin - governor weight	
-	1	9030204100	RUBBER HOSE	
-	1	0663213500	O-RING	
-	1	0663212900	O-RING	
-	4	0211133000	SCREW M8X50 DIN 912 12.9 FZB	
-	1	0663614200	ORING ID 89.5MM	
-	2	0663213300	O-ring	
-	1	3106967000	PACKING	
58		3371817721	SCREW M10X20	
-	4	3330005700	VALVE SEAT	
-	1	3371820708	SEAL 32/45X7/10	
-	1	3371802109	Label	
-	1	3371896047	LABEL	
-	2	0663612000	O-ring, 13.1 x 1.6 mm (70 shore), 0.52 x 0.06 in. (70 shore)	
-	2	0663612900	O-RING	
-	1		Blade - rotor	
-	1	9000031300	CLAW COUPLING	
-	1	3371814709	SEAL RING 8,7/13X1	
-	2	3330000500	SEAL.WASHER	
-	1	3371896048	LABEL	
-	1	3106967500	WASHER	
-	4	3330005800	FLAP	
79		0211136300	Screw	
-	1	0663918400	O-ring	
-	1	9000019700	HOSE CLAMP	

Id	Qty	Number	Name	Specifications
-	1		O-RING	
-	1	3371815738	LOCKING RING	
-	1	0502222100	BALL BEARING	
-	1	3371802108	Label	
-	1	3371802107	Label	
-	1	3371814754	LOCKING RING 38	
-	2	0335351602	SNAP RING DIA8-DIA7.6	
-	1	0663613900	O RING	
-	1	3121001200	PACKING	
-	1	3000012100	RUBB.PACKING	
-	1		Gasket - seal plate	
-	1	0663614000	O RING 79.5X3	
-	4	0101414000	Pin	
62		3377000432	ADAPTOR 08-06	
-	1	3330000400	WASHER	
-	4	0663215200	O-ring, 124.3 x 5.7 mm, 4.89 x 0.22 in.	
-	1	3371820700	SHIM PS 8X14X0.5	
-	1	3371802106	Label	
-	1	3121007200	RING	
-	1	3115098280	VALVE BODY	
-	1	9238270790	TEMPLATE	
-	1	3100964600	PACKING	
-	1		O-RING	
-	1	3371814748	O-RING 25X1.5	
-	1		Seal - oil	
-	1	3100965300	PACKING	
-	1	3000964600	Packing	
-	1	3371814749	O-RING 13X1.5	
-	1	3371802105	Label	
-	4	0147137202	Screw, M10 x 75 mm	
-	1	0504221700	Bearing	
70		0211136300	Screw	
-	1	0518125500	SEAL RING	
-	2	3371820706	O-RING 22X1.5	
-	1		BRAKERING	
-	1	3162097600	GASKET	
-	1	3121054500	PACKING	
-	2	3132017300	PACKING	
-	2	3371814750	O-RING 12X1.5	
-	1	3330002300	NUT	
-	1	3371814751	O-RING 69X1.5	
-	1	3371817757	O-RING 6X2	
-	1	3376100084	O-RING 8X2	
-	1	3371820718	SEAL RING 9/14X1	
-	1	3371820725	O-RING 82X1.5	
-	1	3371820726	O-RING 16X1.5	
-	1	3371820167	BACK-UP WASHER 32.7/45X	
-	1	3371820727	LOCKING RING	

1						
2	3	4	5	6	7	



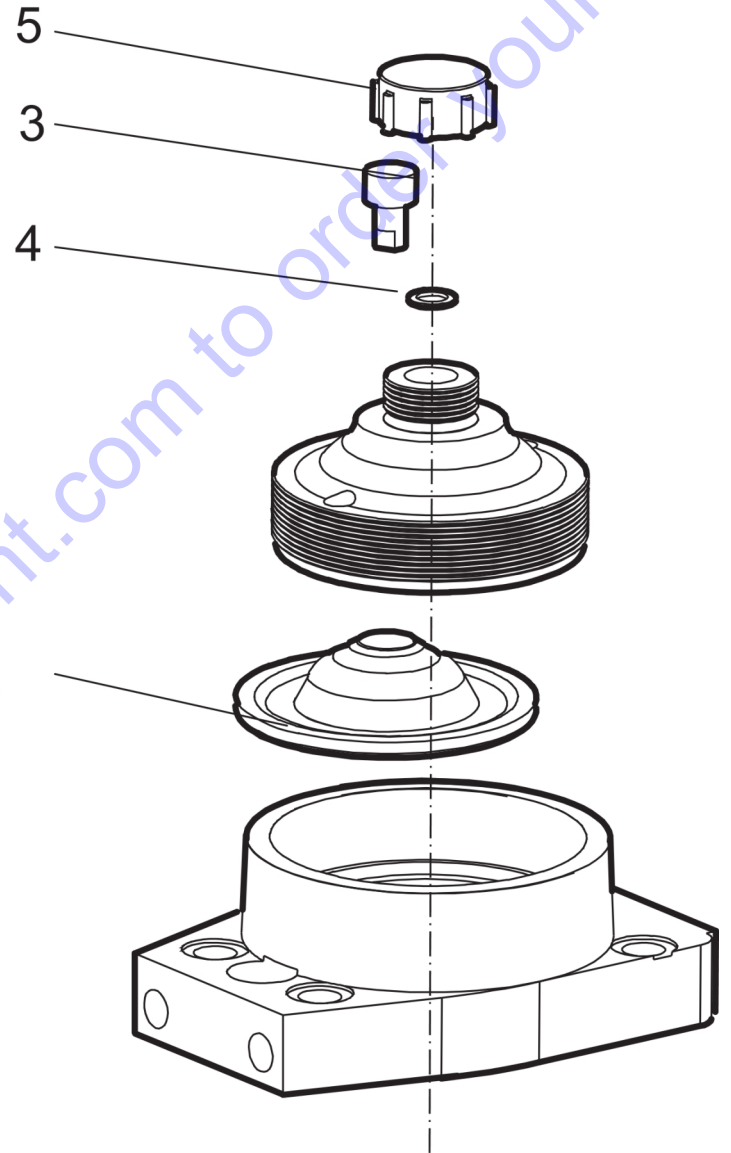
8													
9	10	11	12	13	14								



<b>Id</b>	<b>Qty</b>	<b>Number</b>	<b>Name</b>	<b>Specifications</b>
2	1	3376117071	protective nut	
3	1	3371814709	SEAL RING 8,7/13X1	
4	1	3371813103	Charging screw	
5	1	3371814102	ACCUMULATOR COVER	
6	1	3371814052	Diaphragm	
7	1	3371814104	ACCUMULATOR BODY	
8	1	3371801155	FILLING DEVICE COMPLETE	
9	1	3371807780	ADAPTER	
10	1		Manometer	
11	1	3371807760	TOOL F/ACCUMULATOR COMPL	
12	1		Suitcase	
13	1	3371807779	FILLING HOSE	
14	1	3371807778	FILLING DEVICE	
-	1		Adapters	

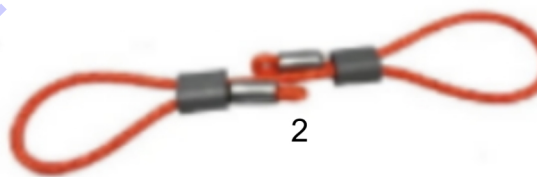
Go to Discount-Equipment.com to order your parts

1				
2	3	4	5	



Id	Qty	Number	Name	Specifications
2	1	3371814052	Diaphragm	
3	1	3371813103	Charging screw	
4	1	3371814709	SEAL RING 8,7/13X1	
5	1	3376117071	protective nut	

Go to Discount-Equipment.com to order your parts



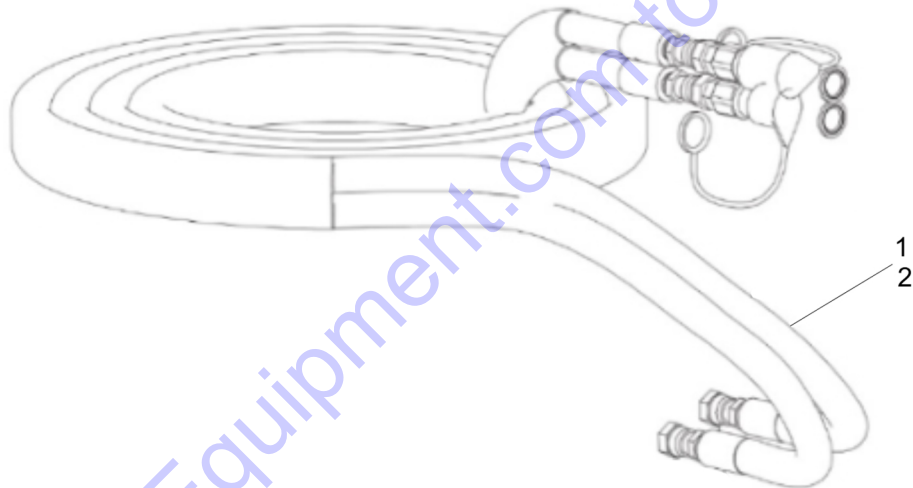
Go to Discount-Equipment.com to order your parts

<b>Id</b>	<b>Qty</b>	<b>Number</b>	<b>Name</b>	<b>Specifications</b>
1	1	3310101858	WHIP CHECK 1/2"-1.1/4",L=540mm	
1	1	3310101859	WHIP CHECK 1.1/2"-3",L=965mm	
1	1	3310101860	WHIP CHECK 3"-6",L=1150mm	
2	1	3310102546	WHIPCHECK PRO 1/2 - 4",L=500MM,BS=1000KG	

Go to Discount-Equipment.com to order your parts



Description	Length		Diameter		Weight	Comments	Part number
	m	ft	mm	in	kg <sup>1)</sup>		
Hydraulic twin-extension hose	7.0	23	12.5	½	8.3	Incl. ½ inch Flat-Face quick-release couplings	1 3371 8010 87
	12.0	39	12.5	½	13.3	Incl. ½ inch Flat-Face quick-release couplings	13371 8010 89
	7.0	23	12.5	½	8.0	Incl. ½ inch BSP female connection for direct mounting	13371 8010 82
Double connection hoses	1.6	5	12.5	½	1.7	-	2 3371 8011 90

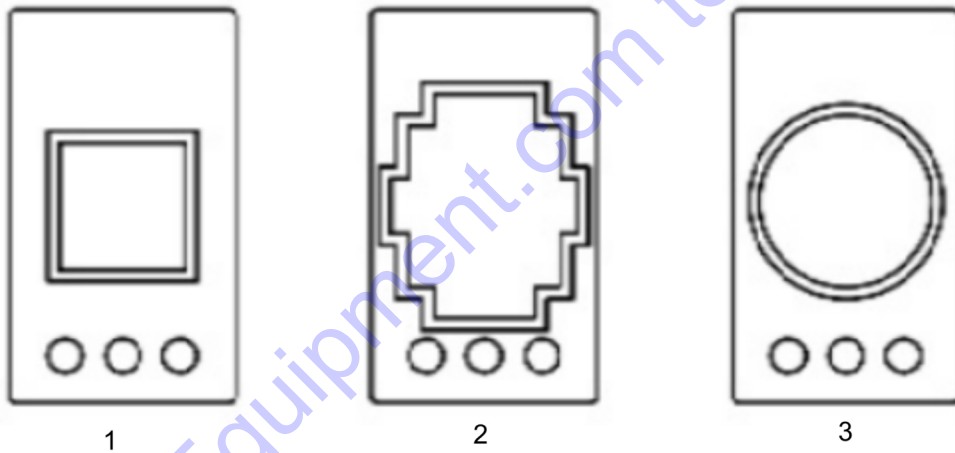


For tech. details check next page

<b>Id</b>	<b>Qty</b>	<b>Number</b>	<b>Name</b>	<b>Specifications</b>
1	1	3371801087	7 m Twin extension hose	
1	1	3371801089	12 m Twin extension hose	
1	1	3371801082	7 m Twin hose	
2	1	3371801190	1.6 M TAIL-HOSE SET	

Go to Discount-Equipment.com to order your parts

Description	Adaptor size		Weight	Comments	Part number
	mm	in	kg <sup>1)</sup>		
Adaptor square	□ 54	□ 2 1/8	2.0	-	1 3371 8060 32
Adaptor universal (round / square)	63	2 1/2	1.6	Max. dimensions 102 x 70 mm (4 x 2 3/4 in)	2 3371 8060 33
Adaptor round	Ø 96	Ø 3 3/4	1.4	-	3 3371 8060 34
C120 post driver kit	-	-	-	-	4 3371 8060 46
Round poles	64	2 1/2	-	-	5 3371 8060 47
Round poles	76	3	-	-	5 3371 8060 48
Round poles	89	3 1/2	-	-	5 3371 8060 49
Round poles	102	4	-	-	5 3371 8060 50
Round poles	127	5	-	-	5 3371 8060 51

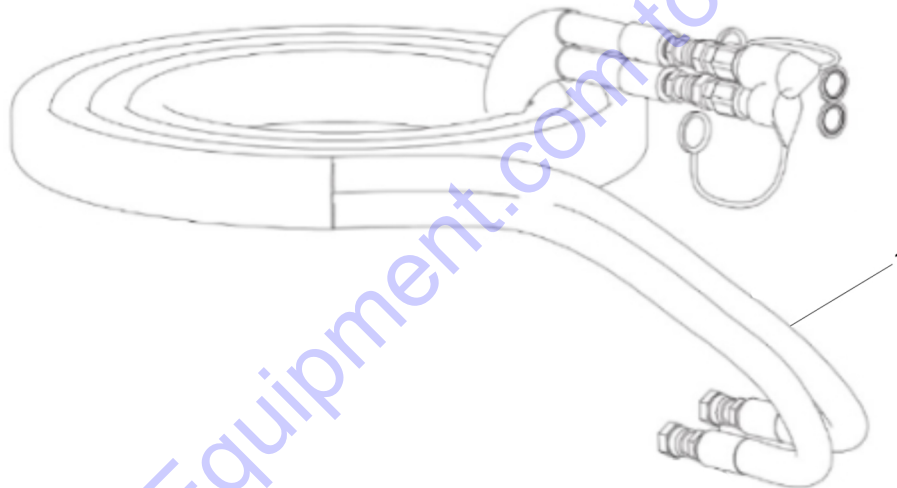


For tech. details check next page

<b>Id</b>	<b>Qty</b>	<b>Number</b>	<b>Name</b>	<b>Specifications</b>
1	1	3371806032	Adaptor, square 54 mm	
2	1	3371806033	Adaptor, Universal	
3	1	3371806034	Adaptor, round 3.8"	
4	1	3371806046	DRIVER KIT 120 MM	
5	1	3371806047	Driver kit 2.5" tubes	
5	1	3371806048	Driver kit 3.0" tubes	
5	1	3371806049	Driver kit 3.5" tubes	
5	1	3371806050	Driver kit 4.0" tubes	
5	1	3371806051	Driver kit 5.0" tubes	

Go to Discount-Equipment.com to order your parts

Description	Length	Diameter	Weight	Comments	Part number
	ft	in	lbs		
Hydraulic twin-extension hose	30	½	22	½" pressure and ¾" return hose with ½" flat-face quick release couplings	9246 0204 98
Hydraulic twin-extension hose	50	½	37		9246 0204 99
Hydraulic twin-extension hose	15	½ & ¾	12	½" pressure and ¾" return hose with ½" flat-face male and female quick release couplings connect to Chicago Pneumatic handheld hydraulic units and the ¾" male and female flat faced couplings connects to PTO	9246 0205 02
Hydraulic twin-extension hose	30	½ & ¾	24		9246 0205 03
Hydraulic twin-extension hose	50	½ & ¾	37		9246 0205 04



For tech. details check next page



<b>Id</b>	<b>Qty</b>	<b>Number</b>	<b>Name</b>	<b>Specifications</b>
1	1	9246020498	Hydraulic twin-extension hose	
1	1	9247020499	Hydraulic twin-extension hose	
1	1	9246020502	Hydraulic twin-extension hose	
1	1	9246020503	HYD HOSE ASSY 30'X1/2"X3	
1	1	9246020504	Hydraulic twin-extension hose	

Go to Discount-Equipment.com to order your parts

# PARTS FINDER

**Search Website  
by Part Number**



**Search Manual  
Library For Parts  
Manual & Lookup Part  
Numbers – Purchase  
or Request Quote**

**Search Manuals**

Enter your information to help us find the right parts manual for your machine.

\* Brand:

\* Model:

\* Serial:

\* Part Number:

SEARCH

**Can't Find Part or  
Manual? Request Help  
by Manufacturer,  
Model & Description**

**Parts Order Form**

Please fill in the following information to help us find the right part for your machine.

Manufacturer:	<input type="text"/>
Model:	<input type="text"/>
Description:	<input type="text"/>
Part Number:	<input type="text"/>
Quantity:	<input type="text"/>
Notes:	<input type="text"/>

Submit

Discount-Equipment.com is your online resource for quality parts & equipment.

Florida: **561-964-4949** Outside Florida TOLL FREE: **877-690-3101**

**Need parts?**

Click on this link: <http://www.discount-equipment.com/category/5443-parts/> and choose one of the options to help get the right parts and equipment you are looking for. Please have the machine model and serial number available in order to help us get you the correct parts. If you don't find the part on the website or on one of the online manuals, please fill out the request form and one of our experienced staff members will get back to you with a quote for the right part that your machine needs.

We sell worldwide for the brands: Genie, Terex, JLG, MultiQuip, Mikasa, Essick, Whiteman, Mayco, Toro Stone, Diamond Products, Generac Magnum, Airman, Haulotte, Barreto, Power Blanket, Nifty Lift, Atlas Copco, Chicago Pneumatic, Allmand, Miller Curber, Skyjack, Lull, Skytrak, Tsurumi, Husquvarna Target, Stow, Wacker, Sakai, Mi-T-M, Sullair, Basic, Dynapac, MBW, Weber, Bartell, Bennar Newman, Haulotte, Ditch Runner, Menegotti, Morrison, Contec, Buddy, Crown, Edco, Wyco, Bomag, Laymor, EZ Trench, Bil-Jax, F.S. Curtis, Gehl Pavers, Heli, Honda, ICS/PowerGrit, IHI, Partner, Imer, Clipper, MMD, Koshin, Rice, CH&E, General Equipment, Amida, Coleman, NAC, Gradall, Square Shooter, Kent, Stanley, Tamco, Toku, Hatz, Kohler, Robin, Wisconsin, Northrock, Oztec, Toker TK, Rol-Air, APT, Wylie, Ingersoll Rand / Doosan, Innovatech, Con X, Ammann, Mecalac, Makinex, Smith Surface Prep, Small Line, Wanco, Yanmar