



**Discount  
Equipment**

[www.discount-equipment.com](http://www.discount-equipment.com)

Filter	9870049500,PUN 102924 - 280000   9870049500,PN2 270001 -
Identity	9870049500
Specifications	Shank Size (Metric): Hex 32 x 152 mm, Product number: 1801364727, Product number: 1801364672, Division: Portable Air, Product group: Hydraulic handheld, Product type: Hydraulic hammers, Product: BRK 70 VR BSP 32x152, Product Company: Chakan

# PARTS FINDER

**Search Website  
by Part Number**



**Search Manual  
Library For Parts  
Manual & Lookup Part  
Numbers – Purchase  
or Request Quote**

**Search Manuals**

Enter your information to help us find the right parts manual for your machine.

\* Brand:

\* Model:

\* Serial:

\* Part Number:

SEARCH

**Can't Find Part or  
Manual? Request Help  
by Manufacturer,  
Model & Description**

**Parts Order Form**

Please fill in the following information to help us find the right part for your machine.

Manufacturer:	<input type="text"/>
Model:	<input type="text"/>
Description:	<input type="text"/>
Part Number:	<input type="text"/>
Quantity:	<input type="text"/>
Notes:	<input type="text"/>

Submit

Discount-Equipment.com is your online resource for quality parts & equipment.

Florida: **561-964-4949** Outside Florida TOLL FREE: **877-690-3101**

**Need parts?**

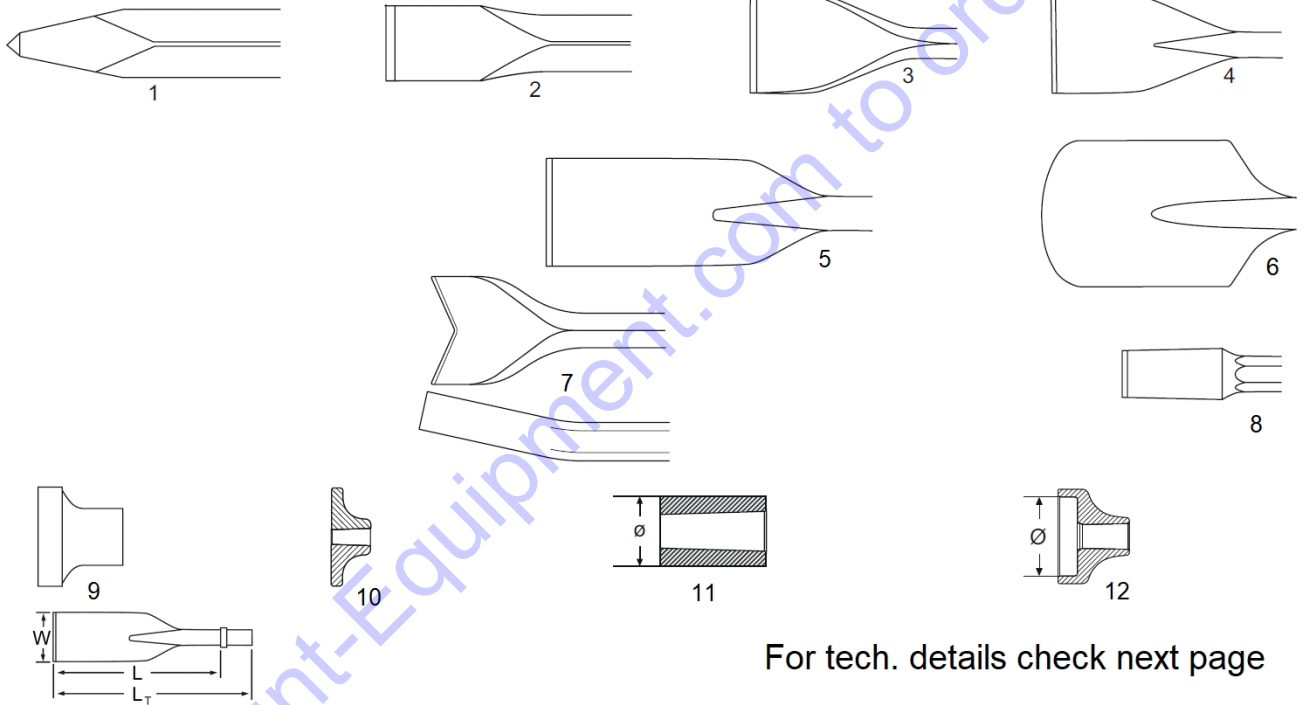
Click on this link: <http://www.discount-equipment.com/category/5443-parts/> and choose one of the options to help get the right parts and equipment you are looking for. Please have the machine model and serial number available in order to help us get you the correct parts. If you don't find the part on the website or on one of the online manuals, please fill out the request form and one of our experienced staff members will get back to you with a quote for the right part that your machine needs.

We sell worldwide for the brands: Genie, Terex, JLG, MultiQuip, Mikasa, Essick, Whiteman, Mayco, Toro Stone, Diamond Products, Generac Magnum, Airman, Haulotte, Barreto, Power Blanket, Nifty Lift, Atlas Copco, Chicago Pneumatic, Allmand, Miller Curber, Skyjack, Lull, Skytrak, Tsurumi, Husquvarna Target, Stow, Wacker, Sakai, Mi-T-M, Sullair, Basic, Dynapac, MBW, Weber, Bartell, Bennar Newman, Haulotte, Ditch Runner, Menegotti, Morrison, Contec, Buddy, Crown, Edco, Wyco, Bomag, Laymor, EZ Trench, Bil-Jax, F.S. Curtis, Gehl Pavers, Heli, Honda, ICS/PowerGrit, IHI, Partner, Imer, Clipper, MMD, Koshin, Rice, CH&E, General Equipment, Amida, Coleman, NAC, Gradall, Square Shooter, Kent, Stanley, Tamco, Toku, Hatz, Kohler, Robin, Wisconsin, Northrock, Oztec, Toker TK, Rol-Air, APT, Wylie, Ingersoll Rand / Doosan, Innovatech, Con X, Ammann, Mecalac, Makinex, Smith Surface Prep, Small Line, Wanco, Yanmar

Working tools 32 x 152 mm (Hex. 1 1/4 x 6 in) Flat to Flat (US)	WorkingToolsHex32x152mm
BRK 70, 70 VR	EXPL_VIEW_BRK-70
BRK 70 HBP, 70 VR HBP	BRK
Handle standard	hhh_cp_brk_02351
Nose parts	hhh_cp_brk_9870049500
VR-handle	hhh_cp_brk_02323
Breaker and hammer AIR-OIL	no-illustration
Breaker and hammer AIR-OIL	no-illustration
Seal kit	
Trigger valve kit	hhh_cp_brk_02292
Accumulator kit	hhh_cp_brk_02589
Accumulator repair kit	APP
Hydraulic hoses	Hydraulichoses
Hydraulic twin hoses	Hydraulictwinhoses_CP
Whip Check	Whipchec_AC

Go to Discount-Equipment.com to order your parts

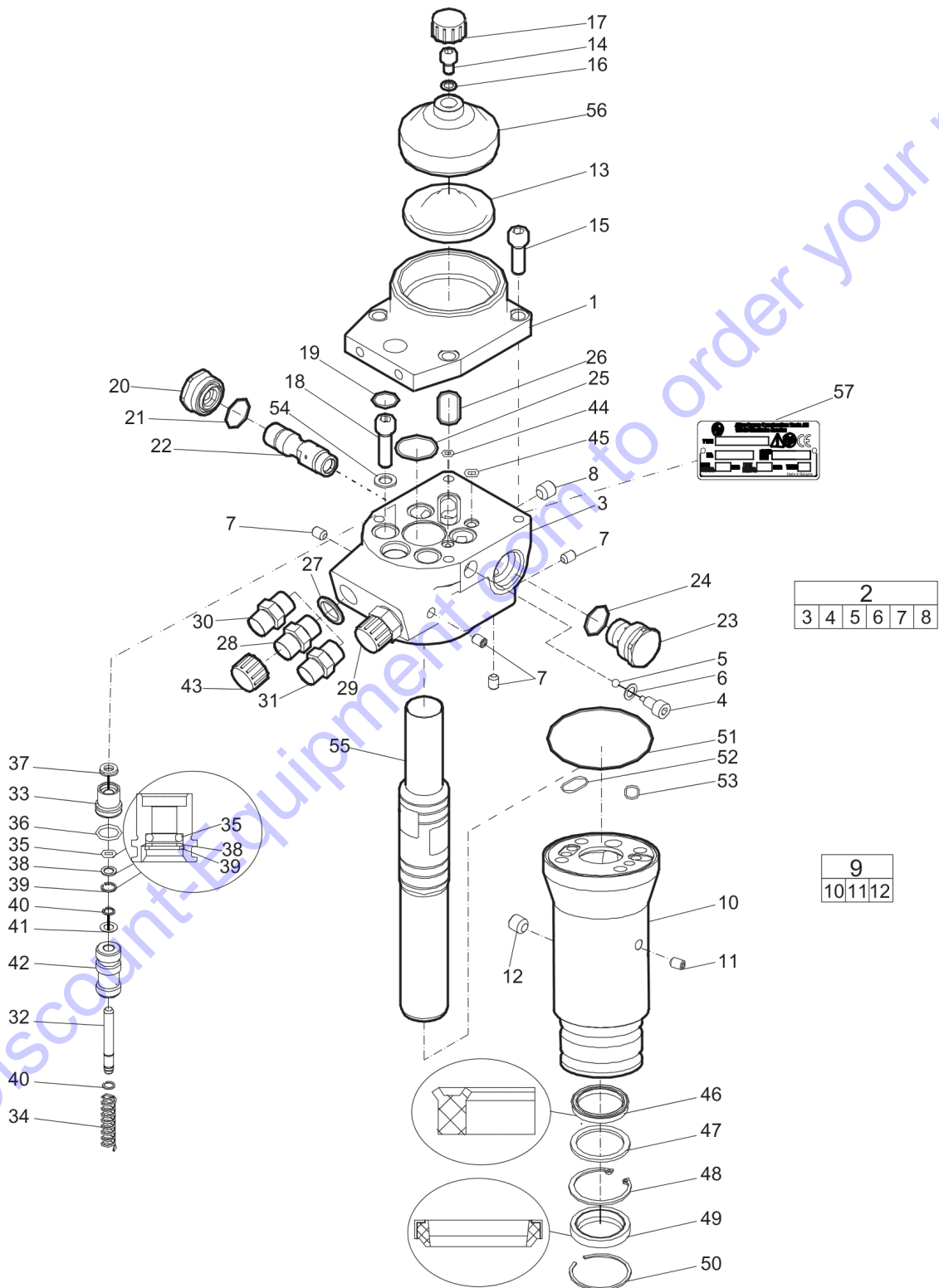
Description	Working length		Total length		Blade / Tip width		Weight kg <sup>1)</sup>	Part number	
	mm	in	mm	in	mm	in			
Moil point	355	14	520	20	-	-	3.3	1	3083 3285 00
	450	18	615	24	-	-	4.0	1	3083 4000 10
	610	24	775	30	-	-	5.0	1	3083 4000 20
Narrow chisel	355	14	520	20	-	-	3.3	2	3083 3286 00
	450	18	615	24	-	-	4.0	2	3083 4001 10
	610	24	775	30	-	-	5.0	2	3083 4001 20
Wide chisel	380	15	545	21	75	3	3.6	3	3083 3295 00
Asphalt cutter	330	13	495	19	125	5	4.0	4	3083 3096 00
	305	12	470	19	115	4 ½	4.0	4	3083 4004 00
Digging spade	320	13	485	19	125	5	4.3	5	3083 3298 00
Clay spade	380	15	545	21	140	5 ½	5.4	6	3083 3299 00
Tie tamper	400	16	565	22	100	4	5.0	7	3083 3314 00
Shaft for pad	230	9	395	16	-	-	3.1	8	3083 3287 00
Tamping pad	-	-	-	-	Ø180	Ø7	7.2	9	3083 3301 00
	-	-	-	-	□150	□6	8.3	10	3083 3302 00
	-	-	-	-	□200	□8	8.5	10	3083 3197 00
Driver blank	-	-	-	-	Ø80	Ø3	3.5	11	9245 2827 10
Driver Pad	-	-	-	-	Ø120	Ø5	6.0	12	3376 1120 79
	-	-	-	-	Ø150	Ø6	7.0	12	3376 1120 77



For tech. details check next page

<b>Id</b>	<b>Qty</b>	<b>Number</b>	<b>Name</b>	<b>Specifications</b>
1	1	3083328500	MOIL POINT	
1	1	3083400010	MOIL POINT	
1	1	3083400020	MOIL POINT	
2	1	3083328600	NARROW CHISEL	
2	1	3083400110	NARROW CHISEL	
2	1	3083400120	NARROW CHISEL	
3	1	3083329500	WIDE CHISEL	
4	1	3083329600	ASPHALT CUTTER	
4	1	3083400400	ASPHALT CUTTER	
5	1	3083329800	DIGGING SPADE	
6	1	3083329900	CLAY SPADE	
7	1	3083331400	TIE TAMPER	
8	1	3083328700	SHAFT FOR PAD	
9	1	3083330100	TAMPING PAD	
10	1	3083330200	TAMPING PAD	
10	1	3083319700	TAMPING PAD	
11	1	9245282710	DRIVER BLANK	
12	1	3376112079	DRIVER PAD 120 MM FOR	
12	1	3376112077	DRIVER PAD 150 MM FOR	

Go to Discount-Equipment.com to order your parts

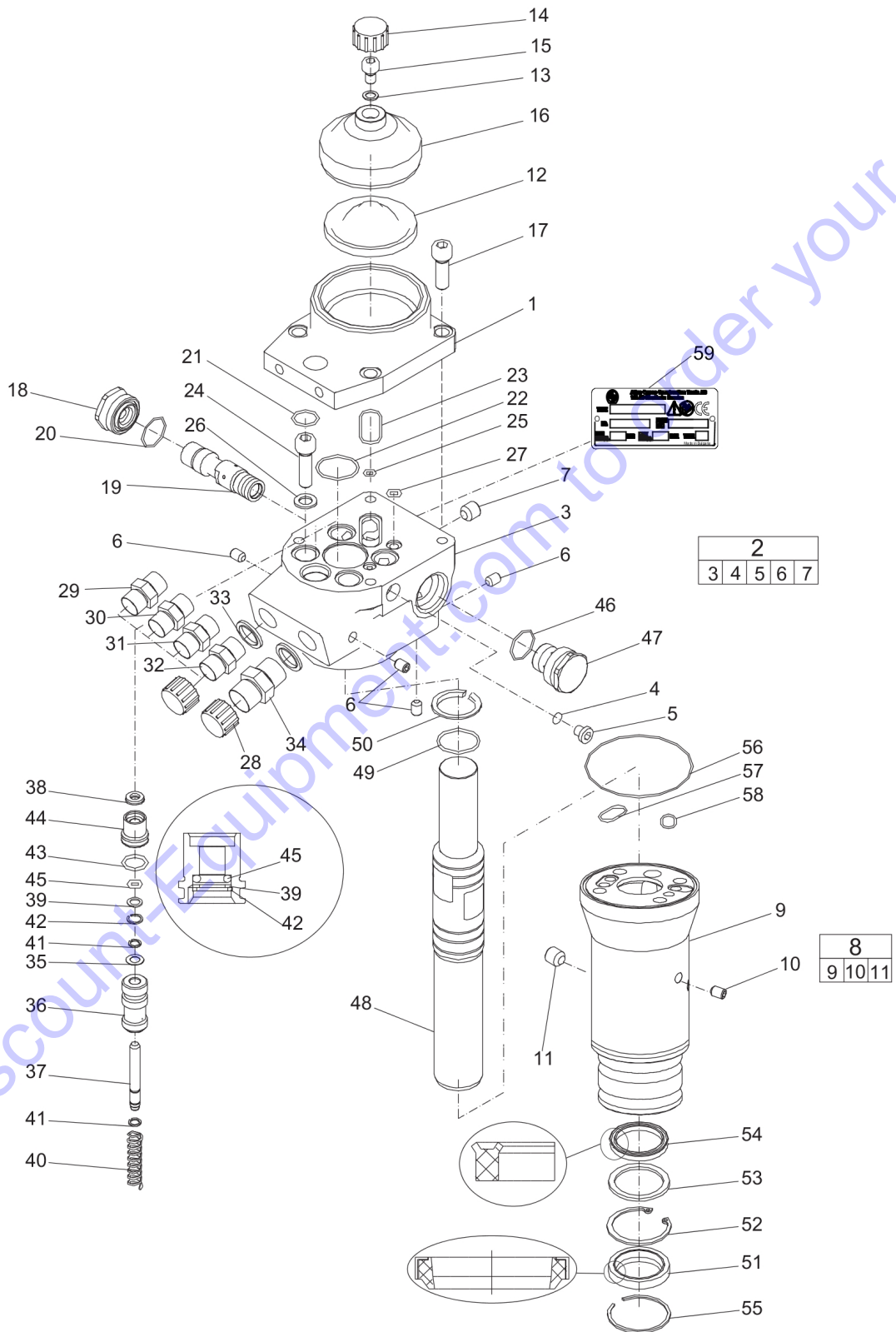


<b>Id</b>	<b>Qty</b>	<b>Number</b>	<b>Name</b>	<b>Specifications</b>
1	1	3371820101	ACCUMULATOR BODY	
2	1	3371820088	Valve housing	
3	1		Valve housing	
4	1	3371820115	SCREW	
5	1	0517110900	Ball	
6	1	3371820718	SEAL RING 9/14X1	
7	5	0686612600	PLUG	
8	2	0686612800	PLUG	
9	1	3371820065	Cylinder	
10	1		Cylinder	
11	1	0686612600	PLUG	
12	1	0686612800	PLUG	
13	1	3371814052	Diaphragm	
14	1	3371813103	Charging screw	
15	4	0211136300	Screw	
16	1	3371814709	SEAL RING 8,7/13X1	
17	1	3371813710	PROTECTIVE CAP M24X1.5	
18	4	0211136400	HEX SOCK. SCREW	
19	4	3371820703	O-RING 18X2	
20	1	3371820267	SPOOL SOCKET	
21	1	3371820702	O-RING 24X1.5	
22	1	3371820269	SPOOL	
23	1	3371820266	GUIDE SOCKET	
24	1	3371820762	O-RING 25.12X1.78	
25	1	3371820704	O-RING 30X2	
26	1	3371820705	O-RING 32X2	
27	2	0661100039	SEALING WASHER 21.54X28.58	
28	1	0603420010	NIPLE G1/2"	
29	1	0603420010	NIPLE G1/2"	
30	1	3371818020	T-CONNECTION BSP 3.4	
31	1	3371818013	T-CONNECTION BSP 4.2	
32	1	3371820136	TRIGGER ROD	
33	1	3371814120	PACKING GLAND	
34	1	3371820137	SPRING	
35	1	3371814700	O-RING 8.3X2.4	
36	1	0663212300	O-RING	
37	1	3371805503	SEAL 8/14X3.5/5	
38	1	3371814701	Back-up ring	
39	1	0335350152	SNAP RING DIA12-DIA12.4	
40	2	0335351602	SNAP RING DIA8-DIA7.6	
41	1	3371820700	SHIM PS 8X14X0.5	
42	1	3371820108	TRIGGER SPOOL	
43	2	3371813709	PROTECTIVE CAP 1/2"	
44	1	3371817757	O-RING 6X2	
45	1	3376100084	O-RING 8X2	
46	1	3371820176	SEAL 32/40X6	
47	1	3371820167	BACK-UP WASHER 32.7/45X	
48	1	3371820727	LOCKING RING	



<b>Id</b>	<b>Qty</b>	<b>Number</b>	<b>Name</b>	<b>Specifications</b>
49	1	3371820708	SEAL 32/45X7/10	
50	1	0335350801	SNAP RING DIA 45	
51	1	3371820725	O-RING 82X1.5	
52	1	3371820726	O-RING 16X1.5	
53	1	3371814749	O-RING 13X1.5	
54	4	3371815735	Back-up washer	
55	1	3371820211	STRIKING PISTON	
56	1	3371814102	ACCUMULATOR COVER	
57	1		Data plate (Not available separately)	

Go to Discount-Equipment.com to order your parts



2					
3	4	5	6	7	

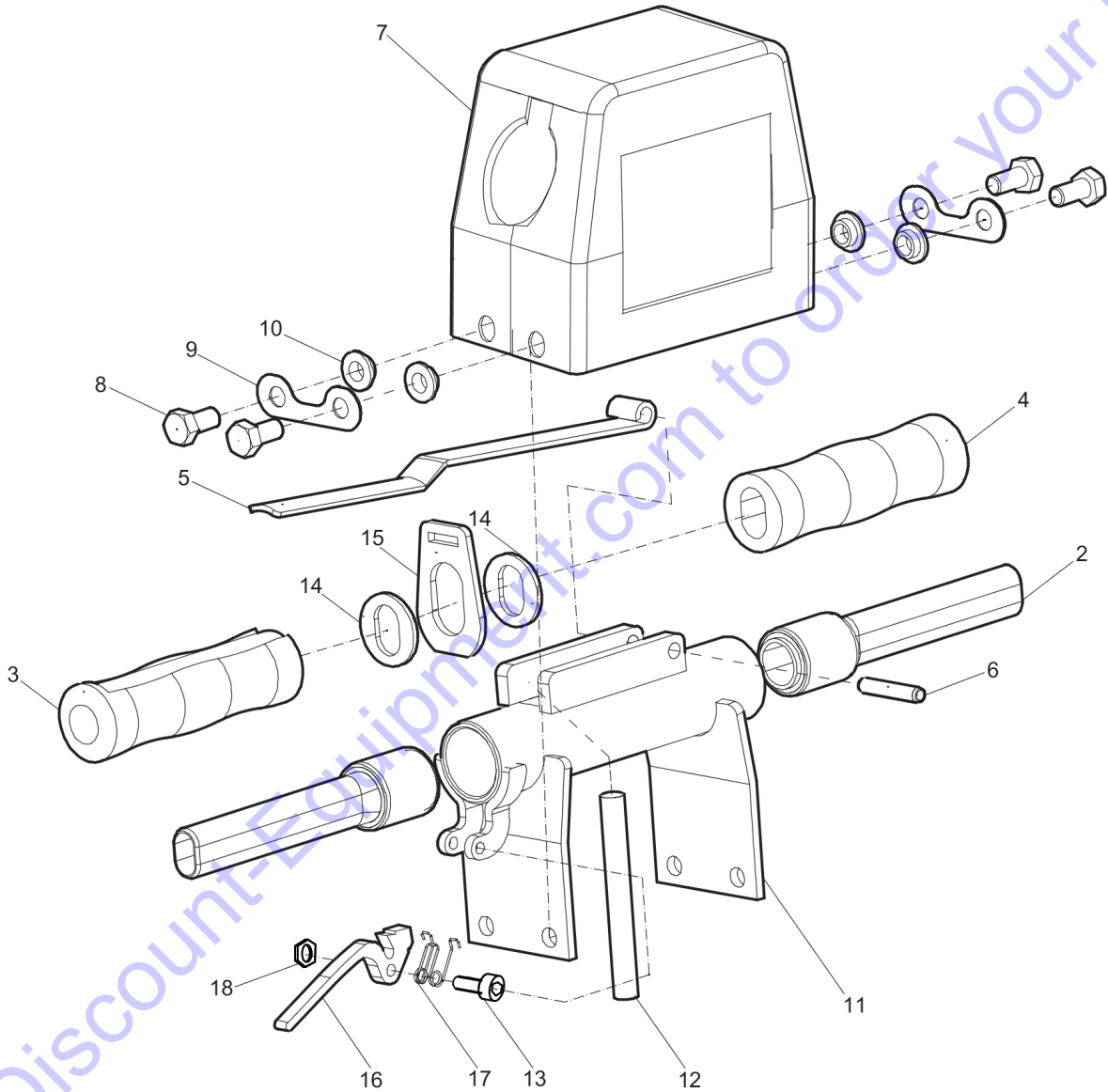
8			
9	10	11	

Id	Qty	Number	Name	Specifications
1	1	3371820101	ACCUMULATOR BODY	
2	1	3371821083	VALVE HOUSING HBP-NC PRI	
3	1		Valve housing	
4	1	3371821242	AIR FILTER	
5	1	3371821241	AIR VENT SCREW	
6	5	0686612600	PLUG	
7	2	0686612800	PLUG	
8	1	3371821087	CYLINDER 25 HBP-NC PRIME	
9	1		Cylinder	
10	1	0686612600	PLUG	
11	1	0686612800	PLUG	
12	1	3371814052	Diaphragm	
13	1	3371814709	SEAL RING 8,7/13X1	
14	1	3371813710	PROTECTIVE CAP M24X1.5	
15	1	3371813103	Charging screw	
16	1	3371814102	ACCUMULATOR COVER	
17	4	0211136300	Screw	
18	1	3371820267	SPOOL SOCKET	
19	1	3371821114	SPOOL 3-FLAT RSA	
20	1	3371820702	O-RING 24X1.5	
21	4	3371820703	O-RING 18X2	
22	1	3371820704	O-RING 30X2	
23	1	3371820705	O-RING 32X2	
24	4	0211136400	HEX SOCK. SCREW	
25	1	3371817757	O-RING 6X2	
26	4	3371815735	Back-up washer	
27	1	3376100084	O-RING 8X2	
28	2	3371813709	PROTECTIVE CAP 1/2"	
29	1	3371818021	T-CONNECTION BSP Ø3.2	
30	1	3371818022	T-CONNECTION BSP Ø2.8	
31	1	3371818021	T-CONNECTION BSP Ø3.2	
32	1	0603420010	NIPLE G1/2"	
33	2	0661100039	SEALING WASHER 21.54X28.58	
34	1	0603420010	NIPLE G1/2"	
35	1	3371820700	SHIM PS 8X14X0.5	
36	1	3371820108	TRIGGER SPOOL	
37	1	3371820136	TRIGGER ROD	
38	1	3371805503	SEAL 8/14X3.5/5	
39	1	3371814701	Back-up ring	
40	1	3371820137	SPRING	
41	2	0335351602	SNAP RING DIA8-DIA7.6	
42	1	0335350152	SNAP RING DIA12-DIA12.4	
43	1	0663212300	O-RING	
44	1	3371814120	PACKING GLAND	
45	1	3371814700	O-RING 8.3X2.4	
46	1	3371820762	O-RING 25.12X1.78	
47	1	3371821113	SOCKET RSA	
48	1	3371821215	PISTON 25 HBP-NC	

<b>Id</b>	<b>Qty</b>	<b>Number</b>	<b>Name</b>	<b>Specifications</b>
49	1	3371821710	BACK-UP RING	
50	1	3371821709	O-RING 28X3 PU	
51	1	3371820708	SEAL 32/45X7/10	
52	1	3371820727	LOCKING RING	
53	1	3371820167	BACK-UP WASHER 32.7/45X	
54	1	3371820176	SEAL 32/40X6	
55	1	0335350801	SNAP RING DIA 45	
56	1	3371820725	O-RING 82X1.5	
57	1	3371820726	O-RING 16X1.5	
58	1	3371814749	O-RING 13X1.5	
59	1		Data plate (Not available separately)	

Go to Discount-Equipment.com to order your parts

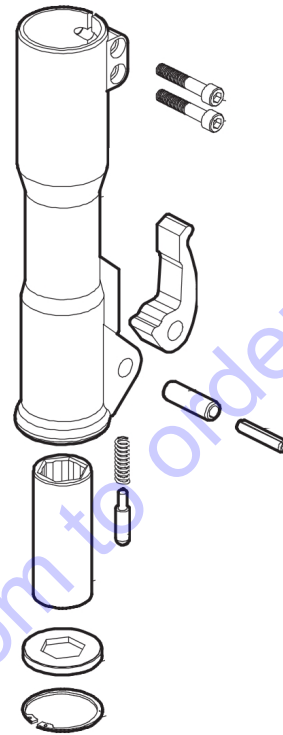
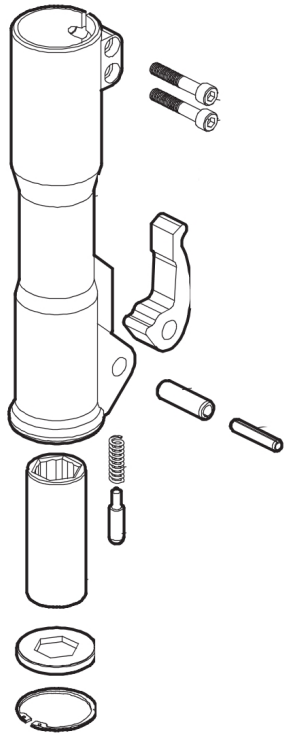
1																	
2	3	4	5	6	7	8	9	10	11	12	13	14	15	16	17	18	



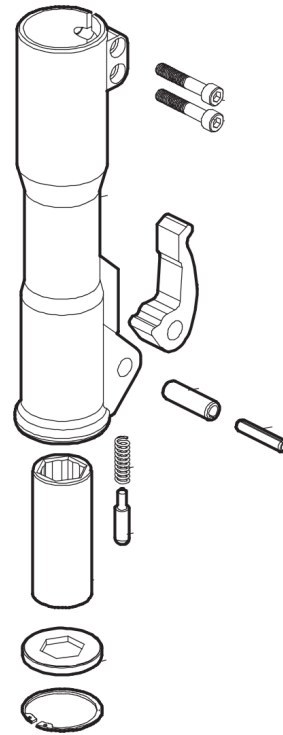
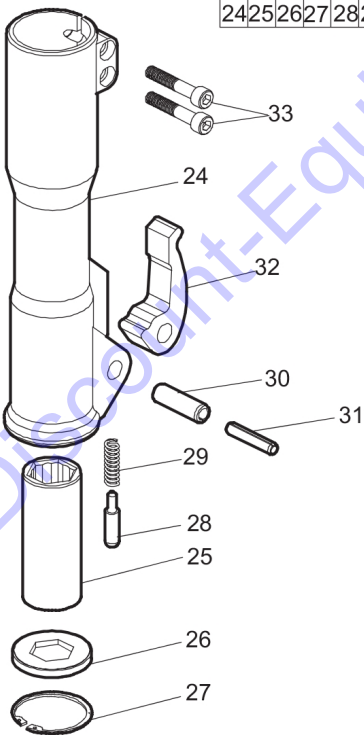
Go to Discount-Equipment.com to order your parts

<b>Id</b>	<b>Qty</b>	<b>Number</b>	<b>Name</b>	<b>Specifications</b>
1	1	3371820045	S-HANDLE W/COVER	
2	2	3371820204	HANDLE STANDARD	
3	1	3371820135	RUBBER HANDLE	
4	1	3371820134	RUBBER HANDLE	
5	1	3371820238	Trigger Standard	
6	1	0108136100	Roll pin Ø 0.31 x 1.6 in.Ø 8 x 40 mm	
7	1	3371820041	TOP COVER	
8	4	0147136003	PARAF M10X20 DIN933 8.8 FZB	
9	2	3371815131	NAB	
10	4	3371824291	DISTANCE WASHER	
11	1	3371820203	BRACKET F/STANDARD HANDL	
12	1	3371820207	Nylon guide	
13	1	3378206044	Cap screw	
14	2	0300013062	WASHER NYLON 21 37X3	
15	1	3371820237	LOCK PLATE	
16	1	3371820236	SAFETY TRIGGER	
17	1	3371820152	Spring	
18	1	3371814716	Nut M6	

Go to Discount-Equipment.com to order your parts



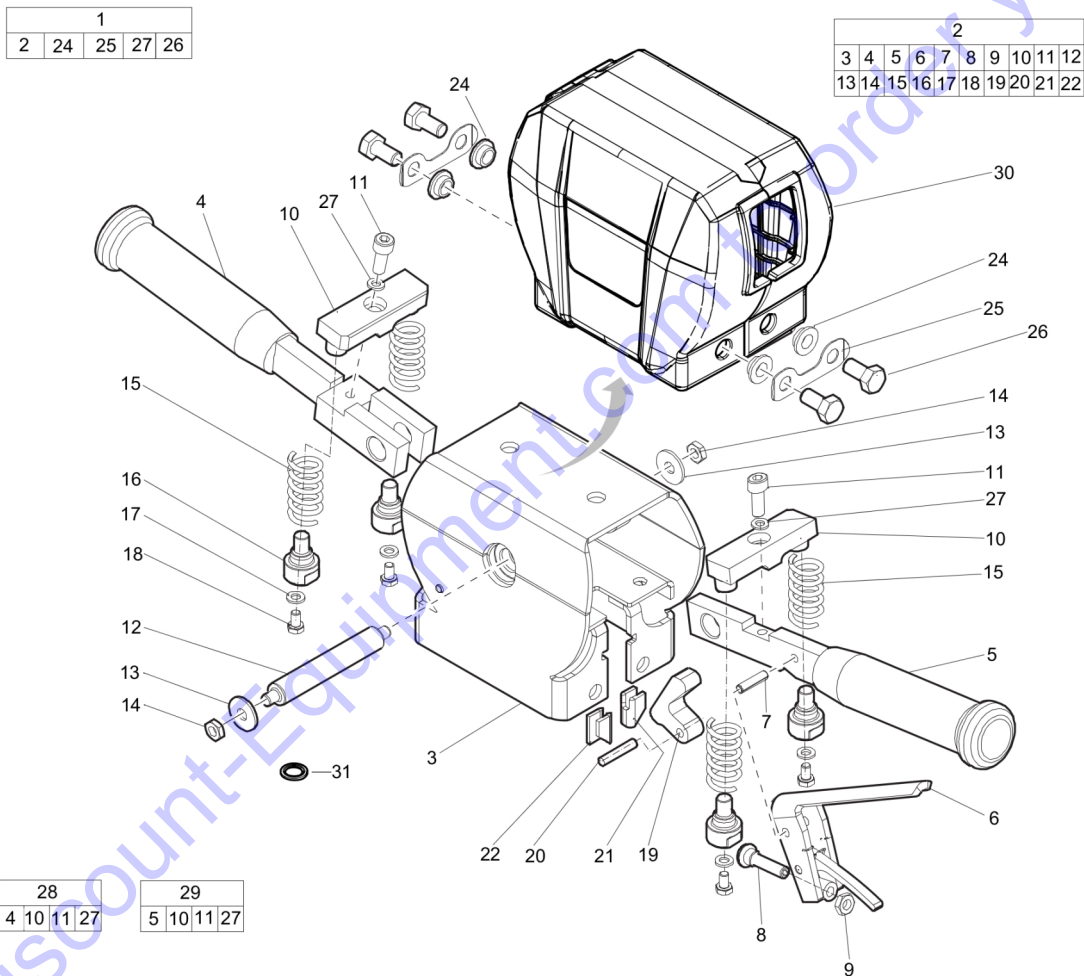
23									
24	25	26	27	28	29	30	31	32	33



<b>Id</b>	<b>Qty</b>	<b>Number</b>	<b>Name</b>	<b>Specifications</b>
24	1	--	Paroil E	
24	1		Nose part	
24	1	--	Paroil E	
24	1		Nose part	
24	1	--	Paroil E	
24	1		Nose part	
24	1	--	Paroil E	
24	1		Nose part	
25	1	3371820212	BUSHING HEX 32X152	
26	1	3371820192	Chisel bellows HEX 32	
27	1	3371820737	Locking ring 64x2	
28	1	3371802073	LOCK PIN	
29	1	3371802075	spring	
30	1	0108151900	PIN SPRING	
31	1	0108139400	SPRING PIN	
32	1	3371820145	LATCH	
33	2	3371814724	SCREW M10X55	

Go to Discount-Equipment.com to order your parts





<b>Id</b>	<b>Qty</b>	<b>Number</b>	<b>Name</b>	<b>Specifications</b>
1	1	3371821224	E-HANDLE COMPLETE	
2	1	3371821065	E-HANDLE W/O COVER	
3	1	3371821205	FRAME	
4	1	3371821173	HANDLE LEFT	
5	1	3371821172	Handle right	
6	1	3371821200	TRIGGER LEVER	
7	1	0108132600	PIN	
8	1	3371821068	THRUST PAD	
9	1	3371820722	Nut M8	
10	2	3371821177	STOPPER	
11	2	0211132503	SCREW:M 8X 25;SOC HD,ZN PLT,\$S	
12	1	3371821184	PIN	
13	2	0300801900	WASHER-FLAT:M 8.40/25.0X2.0T	
14	2	3371820722	Nut M8	
15	4	3371821178	SPRING	
16	4	3371821175	SPRING GUIDE	
17	4	0300013009	PLAIN WASHER	
18	4	3371817724	Screw M6x10	
19	1	3371821176	TRIGGER PAWL	
20	1	0101231155	PIN D6m6 L30	
21	1	3371820147	PIN LATCH RIGHT	
22	1	3371820148	PIN LATCH LEFT	
24	4	3371824291	DISTANCE WASHER	
25	2	3371815131	NAB	
26	4	3378034102	SCREW M10X25 BOLT	
27	2	3315019504	LOCK WASHER	
28		3371821291	V-HANDLE COMPLETE (FORK SIDE)	
29		3371821290	V-HANDLE COMPLETE (TRIGGER SID	
30	1	3371824282	COVER	
31	4	0661100027	WASHER-SEAL:M 21.5IDX28.5OD	

NO EXPLODED VIEW  
AVAILABLE  
FOR THIS BOM

Go to [Discount-Equipment.com](https://Discount-Equipment.com) to order your parts

<b>Id</b>	<b>Qty</b>	<b>Number</b>	<b>Name</b>	<b>Specifications</b>
20		0211136400	HEX SOCK. SCREW	
-	2	3371803075	HOSE 1.6 M	
-	1	3371805503	SEAL 8/14X3.5/5	
-	1	8461020853	TEX 3, 19x50	
-	2	3371803050	0.4 m 1/2" hose	
-	1	9030206900	Water flushing hose BBC/BBD/RH (PM)	
1	1	8099020240	Breaker and hammer AIR-OIL,0.25 l, 0.06 US gallon	
-	1		Vibration handle kit	
-	2	3121029200	NUT	
-	1	3371896061	LABEL	
-	2	0661100039	SEALING WASHER 21.54X28.58	
-	1	3378512072	DUST SEAL	
-	2	0661100027	WASHER-SEAL:M 21.5IDX28.5OD	
-	2	0663614100	O-RING	
22		3371820266	GUIDE SOCKET	
-	1	3371820702	O-RING 24X1.5	
-	1	3371814700	O-RING 8.3X2.4	
-	2	3111002000	PAWL	
-	2	3121034300	SIDEBOLT	
-	2	0663211400	O ring	
-	1	9030204300	HOSE	
-	2	0663211200	O-ring, 5.3 x 2.4 mm (70 shore), 0.21 x 0.09 in. (70 shore)	
-	2	3121087200	NUT	
19	1		Nut - Hexagon	
-	1		Nut - Hexagon	
2	1	8099020236	LUBRICATING OIL	
-	1	3371896062	LABEL	
-	4	3371820703	O-RING 18X2	
23		3371820267	SPOOL SOCKET	
-	1	3378512073	SHAFT SEAL	
-	1	3371805133	Q.R. coupling 08 female	
-	1	3371897166	Product model label	
-	1	0663212300	O-RING	
-	2	4950026400	DIAPHRAGME	
-	1	0663613400	O-ring NBR	
-	1	3371896097	ATLAS COPCO LOGO	
-	2		SIDE BOLT	
-	2	3111002300	SPRING	
-	1	3083322000	MOIL POINT	
20	1		Rod - Threaded	
-	1		Rod - Threaded	
-	2	0663212200	O-RING	
-	1	8202510205	LUBRICATOR BLG 30	
-	2	3121002100	PIN	
-	2		SIDE BOLT	

<b>Id</b>	<b>Qty</b>	<b>Number</b>	<b>Name</b>	<b>Specifications</b>
3	20	8099020281	Breaker and hammer AIR-OIL, 20 x 1 l	bottles (pack)
-	4	3378512086	O-RING	
-	2	3371897155	CP logo	
-	1	3371897082	PRODUCT LABEL "LPD-T"	
-	1	3371897165	Product model label	
-	1	3371805134	Q.R. coupling 08 male	
-	1	3330002200	SLID.O-RING	
-	2	3330008100	STOP	
-	1	3371820704	O-RING 30X2	
-	1	3371814701	Back-up ring	
-	1	3371896000	LABEL	
-	2		NUT	
-	4	0663212400	O-ring 17,3x2,4	
-	1	8202510239	CLG 30	
6	1		Gasket - governor housing	
-	2		Gasket - governor housing	
4	1	8099020202	Breaker and hammer air-oil 5l	
-	1	3083322200	NARROW CHISEL	
32		0603420010	NIPLE G1/2"	
-	2	0663212000	O-ring 13,3x2,4	
-	2	4090020100	Seal	
-	1	3371805733	PROTECTIVE CAP 1/2" FEMA	
-	1	3371897168	LABEL	
-	1	3371897083	PRODUCT LABEL "LPD-RV"	
-	2	3371897156	CP logo	
-	1	3371896113	Label	
-	1	3371897286	Product label	
33		3371818013	T-CONNECTION BSP 4.2	
-	1	0335350152	SNAP RING DIA12-DIA12.4	
-	1	3371897164	Product label	
-	1		O-RING	
7	1		O-RING	
5	4	8099020285	BREAKER AND HAMMER AIR-OIL	(4x5L)
-	1	8099020240	Breaker and hammer AIR-OIL,0.25 l,	0.06 US gallon
-	4	0211124401	SCREW	
-	2	0663212500	O-RING	
-	1	3371820705	O-RING 32X2	
-	6	0663614400	O-ring, 99.5 x 3.0 mm, 3.92 x 0.12 in.	
-	1	3371897080	Product label	
-	1	3371897304	Product label	
-	1	3371896006	Label	
-	1	3371805732	PROTECTIVE CAP 1/2" MALE	
34		3371818020	T-CONNECTION BSP 3.4	
-	1	3371897167	Product label	
-	1	3371897163	Product label	
-	1	3310120600	STORAGE BOX	

<b>Id</b>	<b>Qty</b>	<b>Number</b>	<b>Name</b>	<b>Specifications</b>
-	1	8092011082	VAM 5A WATER SEPARATOR	
-	1	3371820762	O-RING 25.12X1.78	
-	1		O-RING	
-	3	0663212700	O-RING	
-	1	0663212800	O-RING	
-	1	0663212600	O RING	
-	1	3371897081	Product label	
-	2	3371814703	O-RING 24.2X3	
-	1	3371897287	Product label	
-	1	3371897270	Label HBP	
-	1	3330002500	WASHER	
-	1		Pin - governor push	
-	3	0663213200	O-RING	
-	1	3371801087	7 m Twin extension hose	
-	2	0663613600	O-RING 59.5X3	
35		0603420010	NIPLE G1/2"	
-	1	0335350801	SNAP RING DIA 45	
-	1	3371820176	SEAL 32/40X6	
-	1	3371803052	7 m 1/2" hose	
-	4	0663614800	O-ring, 119.5 x 3.0 mm, 4.70 x 0.12 in.	
51		0211141000	HEX SOCK. SCREW M12X75-12.9	
-	2	3371814710	O-RING 33X2	
-	1		Pin - governor weight	
-	1	9030204100	RUBBER HOSE	
-	1	0663213500	O-RING	
-	1	0663212900	O-RING	
-	4	0211133000	SCREW M8X50 DIN 912 12.9 FZB	
-	1	0663614200	ORING ID 89.5MM	
-	2	0663213300	O-ring	
-	1	3106967000	PACKING	
58		3371817721	SCREW M10X20	
-	4	3330005700	VALVE SEAT	
-	1	3371820708	SEAL 32/45X7/10	
-	1	3371802109	Label	
-	1	3371896047	LABEL	
-	2	0663612000	O-ring, 13.1 x 1.6 mm (70 shore), 0.52 x 0.06 in. (70 shore)	
-	2	0663612900	O-RING	
-	1		Blade - rotor	
-	1	9000031300	CLAW COUPLING	
-	1	3371814709	SEAL RING 8,7/13X1	
-	2	3330000500	SEAL.WASHER	
-	1	3371896048	LABEL	
-	1	3106967500	WASHER	
-	4	3330005800	FLAP	
79		0211136300	Screw	
-	1	0663918400	O-ring	
-	1	9000019700	HOSE CLAMP	

<b>Id</b>	<b>Qty</b>	<b>Number</b>	<b>Name</b>	<b>Specifications</b>
-	1		O-RING	
-	1	3371815738	LOCKING RING	
-	1	0502222100	BALL BEARING	
-	1	3371802108	Label	
-	1	3371802107	Label	
-	1	3371814754	LOCKING RING 38	
-	2	0335351602	SNAP RING DIA8-DIA7.6	
-	1	0663613900	O RING	
-	1	3121001200	PACKING	
-	1	3000012100	RUBB.PACKING	
-	1		Gasket - seal plate	
-	1	0663614000	O RING 79.5X3	
-	4	0101414000	Pin	
62		3377000432	ADAPTOR 08-06	
-	1	3330000400	WASHER	
-	4	0663215200	O-ring, 124.3 x 5.7 mm, 4.89 x 0.22 in.	
-	1	3371820700	SHIM PS 8X14X0.5	
-	1	3371802106	Label	
-	1	3121007200	RING	
-	1	3115098280	VALVE BODY	
-	1	9238270790	TEMPLATE	
-	1	3100964600	PACKING	
-	1		O-RING	
-	1	3371814748	O-RING 25X1.5	
-	1		Seal - oil	
-	1	3100965300	PACKING	
-	1	3000964600	Packing	
-	1	3371814749	O-RING 13X1.5	
-	1	3371802105	Label	
-	4	0147137202	Screw, M10 x 75 mm	
-	1	0504221700	Bearing	
70		0211136300	Screw	
-	1	0518125500	SEAL RING	
-	2	3371820706	O-RING 22X1.5	
-	1		BRAKERING	
-	1	3162097600	GASKET	
-	1	3121054500	PACKING	
-	2	3132017300	PACKING	
-	2	3371814750	O-RING 12X1.5	
-	1	3330002300	NUT	
-	1	3371814751	O-RING 69X1.5	
-	1	3371817757	O-RING 6X2	
-	1	3376100084	O-RING 8X2	
-	1	3371820718	SEAL RING 9/14X1	
-	1	3371820725	O-RING 82X1.5	
-	1	3371820726	O-RING 16X1.5	
-	1	3371820167	BACK-UP WASHER 32.7/45X	
-	1	3371820727	LOCKING RING	

NO EXPLODED VIEW  
AVAILABLE  
FOR THIS BOM

Go to [Discount-Equipment.com](https://Discount-Equipment.com) to order your parts

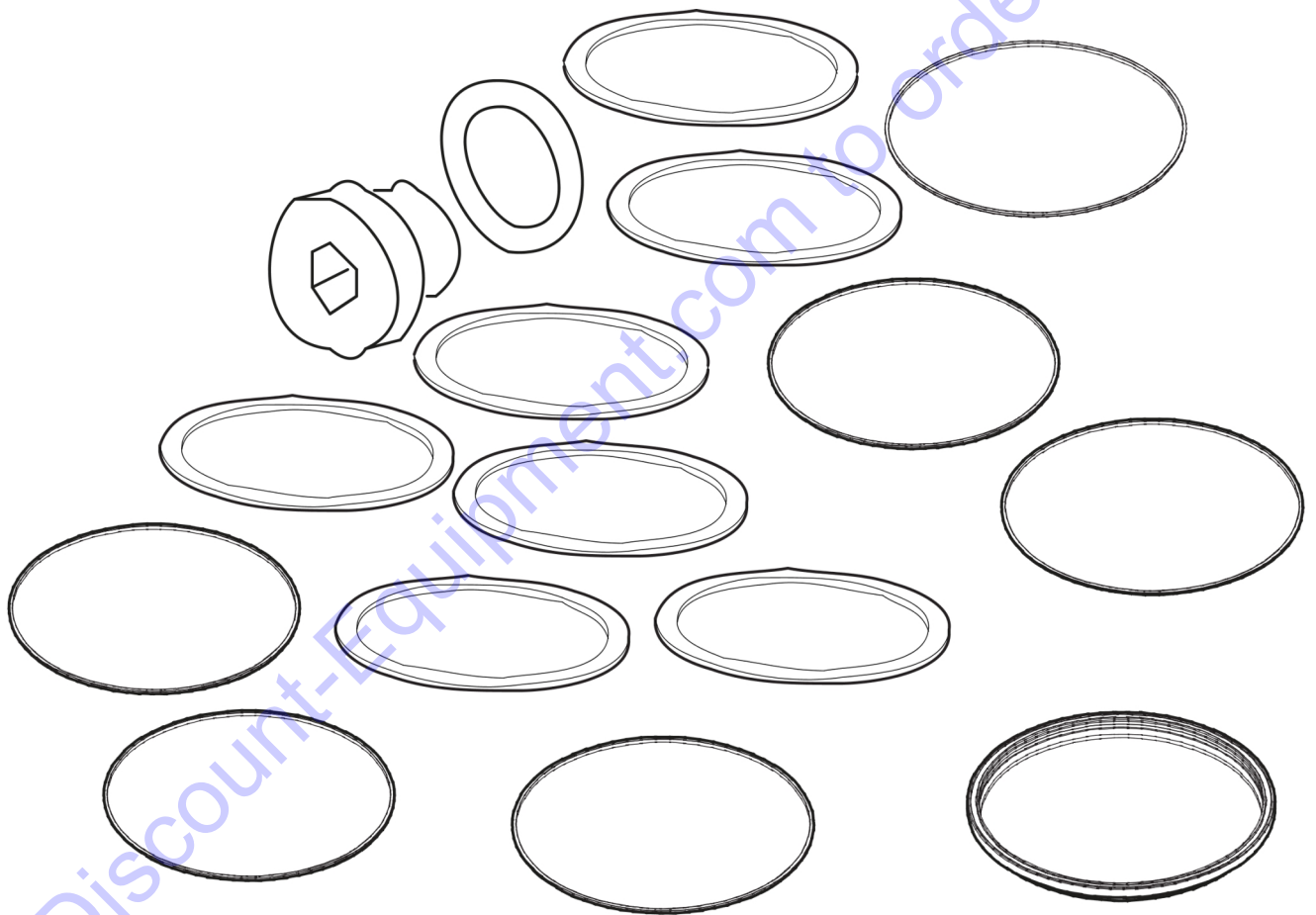


<b>Id</b>	<b>Qty</b>	<b>Number</b>	<b>Name</b>	<b>Specifications</b>
20		0211136400	HEX SOCK. SCREW	
-	2	3371803075	HOSE 1.6 M	
-	1	3371805503	SEAL 8/14X3.5/5	
-	1	8461020853	TEX 3, 19x50	
-	2	3371803050	0.4 m 1/2" hose	
-	1	9030206900	Water flushing hose BBC/BBD/RH (PM)	
1	1	8099020240	Breaker and hammer AIR-OIL,0.25 l, 0.06 US gallon	
-	1		Vibration handle kit	
-	2	3121029200	NUT	
-	1	3371896061	LABEL	
-	2	0661100039	SEALING WASHER 21.54X28.58	
-	1	3378512072	DUST SEAL	
-	2	0661100027	WASHER-SEAL:M 21.5IDX28.5OD	
-	2	0663614100	O-RING	
22		3371820266	GUIDE SOCKET	
-	1	3371820702	O-RING 24X1.5	
-	1	3371814700	O-RING 8.3X2.4	
-	2	3111002000	PAWL	
-	2	3121034300	SIDEBOLT	
-	2	0663211400	O ring	
-	1	9030204300	HOSE	
-	2	0663211200	O-ring, 5.3 x 2.4 mm (70 shore), 0.21 x 0.09 in. (70 shore)	
-	2	3121087200	NUT	
19	1		Nut - Hexagon	
-	1		Nut - Hexagon	
2	1	8099020236	LUBRICATING OIL	
-	1	3371896062	LABEL	
-	4	3371820703	O-RING 18X2	
23		3371820267	SPOOL SOCKET	
-	1	3378512073	SHAFT SEAL	
-	1	3371805133	Q.R. coupling 08 female	
-	1	3371897166	Product model label	
-	1	0663212300	O-RING	
-	2	4950026400	DIAPHRAGME	
-	1	0663613400	O-ring NBR	
-	1	3371896097	ATLAS COPCO LOGO	
-	2		SIDE BOLT	
-	2	3111002300	SPRING	
-	1	3083322000	MOIL POINT	
20	1		Rod - Threaded	
-	1		Rod - Threaded	
-	2	0663212200	O-RING	
-	1	8202510205	LUBRICATOR BLG 30	
-	2	3121002100	PIN	
-	2		SIDE BOLT	

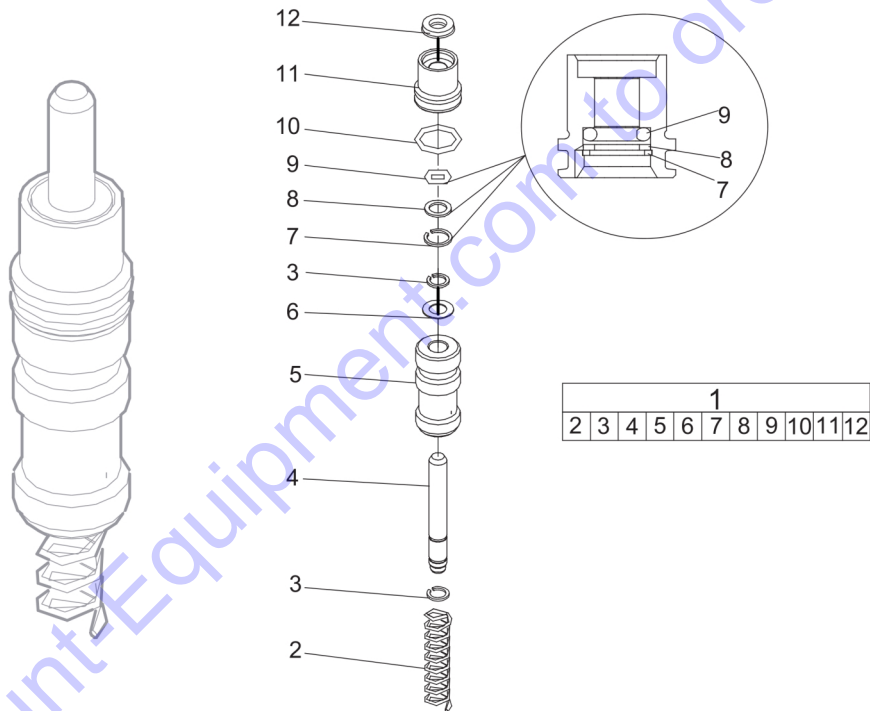
<b>Id</b>	<b>Qty</b>	<b>Number</b>	<b>Name</b>	<b>Specifications</b>
3	20	8099020281	Breaker and hammer AIR-OIL, 20 x 1 l	bottles (pack)
-	4	3378512086	O-RING	
-	2	3371897155	CP logo	
-	1	3371897082	PRODUCT LABEL "LPD-T"	
-	1	3371897165	Product model label	
-	1	3371805134	Q.R. coupling 08 male	
-	1	3330002200	SLID.O-RING	
-	2	3330008100	STOP	
-	1	3371820704	O-RING 30X2	
-	1	3371814701	Back-up ring	
-	1	3371896000	LABEL	
-	2		NUT	
-	4	0663212400	O-ring 17,3x2,4	
-	1	8202510239	CLG 30	
6	1		Gasket - governor housing	
-	2		Gasket - governor housing	
4	1	8099020202	Breaker and hammer air-oil 5l	
-	1	3083322200	NARROW CHISEL	
32		0603420010	NIPLE G1/2"	
-	2	0663212000	O-ring 13,3x2,4	
-	2	4090020100	Seal	
-	1	3371805733	PROTECTIVE CAP 1/2" FEMA	
-	1	3371897168	LABEL	
-	1	3371897083	PRODUCT LABEL "LPD-RV"	
-	2	3371897156	CP logo	
-	1	3371896113	Label	
-	1	3371897286	Product label	
33		3371818013	T-CONNECTION BSP 4.2	
-	1	0335350152	SNAP RING DIA12-DIA12.4	
-	1	3371897164	Product label	
-	1		O-RING	
7	1		O-RING	
5	4	8099020285	BREAKER AND HAMMER AIR-OIL	(4x5L)
-	1	8099020240	Breaker and hammer AIR-OIL,0.25 l,	0.06 US gallon
-	4	0211124401	SCREW	
-	2	0663212500	O-RING	
-	1	3371820705	O-RING 32X2	
-	6	0663614400	O-ring, 99.5 x 3.0 mm, 3.92 x 0.12 in.	
-	1	3371897080	Product label	
-	1	3371897304	Product label	
-	1	3371896006	Label	
-	1	3371805732	PROTECTIVE CAP 1/2" MALE	
34		3371818020	T-CONNECTION BSP 3.4	
-	1	3371897167	Product label	
-	1	3371897163	Product label	
-	1	3310120600	STORAGE BOX	

<b>Id</b>	<b>Qty</b>	<b>Number</b>	<b>Name</b>	<b>Specifications</b>
-	1	8092011082	VAM 5A WATER SEPARATOR	
-	1	3371820762	O-RING 25.12X1.78	
-	1		O-RING	
-	3	0663212700	O-RING	
-	1	0663212800	O-RING	
-	1	0663212600	O RING	
-	1	3371897081	Product label	
-	2	3371814703	O-RING 24.2X3	
-	1	3371897287	Product label	
-	1	3371897270	Label HBP	
-	1	3330002500	WASHER	
-	1		Pin - governor push	
-	3	0663213200	O-RING	
-	1	3371801087	7 m Twin extension hose	
-	2	0663613600	O-RING 59.5X3	
35		0603420010	NIPLE G1/2"	
-	1	0335350801	SNAP RING DIA 45	
-	1	3371820176	SEAL 32/40X6	
-	1	3371803052	7 m 1/2" hose	
-	4	0663614800	O-ring, 119.5 x 3.0 mm, 4.70 x 0.12 in.	
51		0211141000	HEX SOCK. SCREW M12X75-12.9	
-	2	3371814710	O-RING 33X2	
-	1		Pin - governor weight	
-	1	9030204100	RUBBER HOSE	
-	1	0663213500	O-RING	
-	1	0663212900	O-RING	
-	4	0211133000	SCREW M8X50 DIN 912 12.9 FZB	
-	1	0663614200	ORING ID 89.5MM	
-	2	0663213300	O-ring	
-	1	3106967000	PACKING	
58		3371817721	SCREW M10X20	
-	4	3330005700	VALVE SEAT	
-	1	3371820708	SEAL 32/45X7/10	
-	1	3371802109	Label	
-	1	3371896047	LABEL	
-	2	0663612000	O-ring, 13.1 x 1.6 mm (70 shore), 0.52 x 0.06 in. (70 shore)	
-	2	0663612900	O-RING	
-	1		Blade - rotor	
-	1	9000031300	CLAW COUPLING	
-	1	3371814709	SEAL RING 8,7/13X1	
-	2	3330000500	SEAL.WASHER	
-	1	3371896048	LABEL	
-	1	3106967500	WASHER	
-	4	3330005800	FLAP	
79		0211136300	Screw	
-	1	0663918400	O-ring	
-	1	9000019700	HOSE CLAMP	

<b>Id</b>	<b>Qty</b>	<b>Number</b>	<b>Name</b>	<b>Specifications</b>
-	1		O-RING	
-	1	3371815738	LOCKING RING	
-	1	0502222100	BALL BEARING	
-	1	3371802108	Label	
-	1	3371802107	Label	
-	1	3371814754	LOCKING RING 38	
-	2	0335351602	SNAP RING DIA8-DIA7.6	
-	1	0663613900	O RING	
-	1	3121001200	PACKING	
-	1	3000012100	RUBB.PACKING	
-	1		Gasket - seal plate	
-	1	0663614000	O RING 79.5X3	
-	4	0101414000	Pin	
62		3377000432	ADAPTOR 08-06	
-	1	3330000400	WASHER	
-	4	0663215200	O-ring, 124.3 x 5.7 mm, 4.89 x 0.22 in.	
-	1	3371820700	SHIM PS 8X14X0.5	
-	1	3371802106	Label	
-	1	3121007200	RING	
-	1	3115098280	VALVE BODY	
-	1	9238270790	TEMPLATE	
-	1	3100964600	PACKING	
-	1		O-RING	
-	1	3371814748	O-RING 25X1.5	
-	1		Seal - oil	
-	1	3100965300	PACKING	
-	1	3000964600	Packing	
-	1	3371814749	O-RING 13X1.5	
-	1	3371802105	Label	
-	4	0147137202	Screw, M10 x 75 mm	
-	1	0504221700	Bearing	
70		0211136300	Screw	
-	1	0518125500	SEAL RING	
-	2	3371820706	O-RING 22X1.5	
-	1		BRAKERING	
-	1	3162097600	GASKET	
-	1	3121054500	PACKING	
-	2	3132017300	PACKING	
-	2	3371814750	O-RING 12X1.5	
-	1	3330002300	NUT	
-	1	3371814751	O-RING 69X1.5	
-	1	3371817757	O-RING 6X2	
-	1	3376100084	O-RING 8X2	
-	1	3371820718	SEAL RING 9/14X1	
-	1	3371820725	O-RING 82X1.5	
-	1	3371820726	O-RING 16X1.5	
-	1	3371820167	BACK-UP WASHER 32.7/45X	
-	1	3371820727	LOCKING RING	



Id	Qty	Number	Name	Specifications
-	1	3371814709	SEAL RING 8,7/13X1	
-	1	3371813710	PROTECTIVE CAP M24X1.5	
-	1	3371820702	O-RING 24X1.5	
-	4	3371820703	O-RING 18X2	
-	1	3371820704	O-RING 30X2	
-	1	3371820705	O-RING 32X2	
-	1	3371820762	O-RING 25.12X1.78	
-	1	0335350801	SNAP RING DIA 45	
-	1	3371820176	SEAL 32/40X6	
-	1	3371820708	SEAL 32/45X7/10	
-	2	0661100027	WASHER-SEAL:M 21.5IDX28.5OD	
-	2	0335351602	SNAP RING DIA8-DIA7.6	
-	1	3371814700	O-RING 8.3X2.4	
-	1	3371820700	SHIM PS 8X14X0.5	
-	1	0663212300	O-RING	
-	1	3371805503	SEAL 8/14X3.5/5	
-	1	3371814701	Back-up ring	
-	1	0335350152	SNAP RING DIA12-DIA12.4	
-	1	3371817757	O-RING 6X2	
-	1	3376100084	O-RING 8X2	
-	1	3371820718	SEAL RING 9/14X1	
-	1	3371820725	O-RING 82X1.5	
-	1	3371820726	O-RING 16X1.5	
-	1	3371814749	O-RING 13X1.5	
-	1	3371820167	BACK-UP WASHER 32.7/45X	
-	1	3371820727	LOCKING RING	
-	1	3371821709	O-RING 28X3 PU	
-	2	3371815131	NAB	
-	1	3371821710	BACK-UP RING	
-	1	3371821242	AIR FILTER	

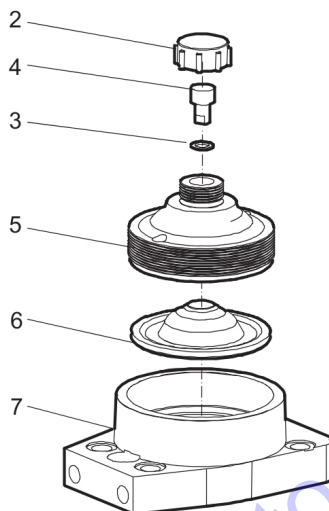


<b>Id</b>	<b>Qty</b>	<b>Number</b>	<b>Name</b>	<b>Specifications</b>
2	1	3371820137	SPRING	
3	2	0335351602	SNAP RING DIA8-DIA7.6	
4	1	3371820136	TRIGGER ROD	
5	1	3371820108	TRIGGER SPOOL	
6	1	3371820700	SHIM PS 8X14X0.5	
7	1	0335350152	SNAP RING DIA12-DIA12.4	
8	1	3371814701	Back-up ring	
9	1	3371814700	O-RING 8.3X2.4	
10	1	0663212300	O-RING	
11	1	3371814120	PACKING GLAND	
12	1	3371805503	SEAL 8/14X3.5/5	

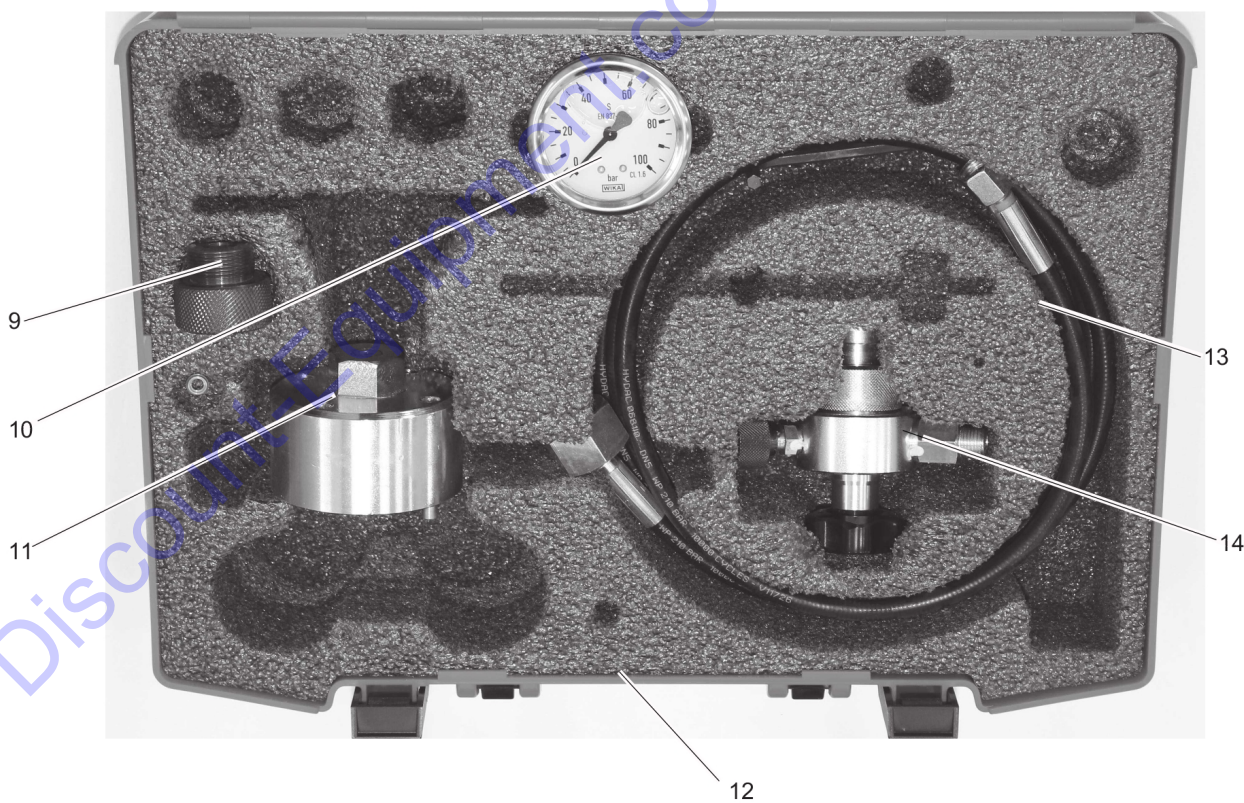
Go to Discount-Equipment.com to order your parts



1						
2	3	4	5	6	7	



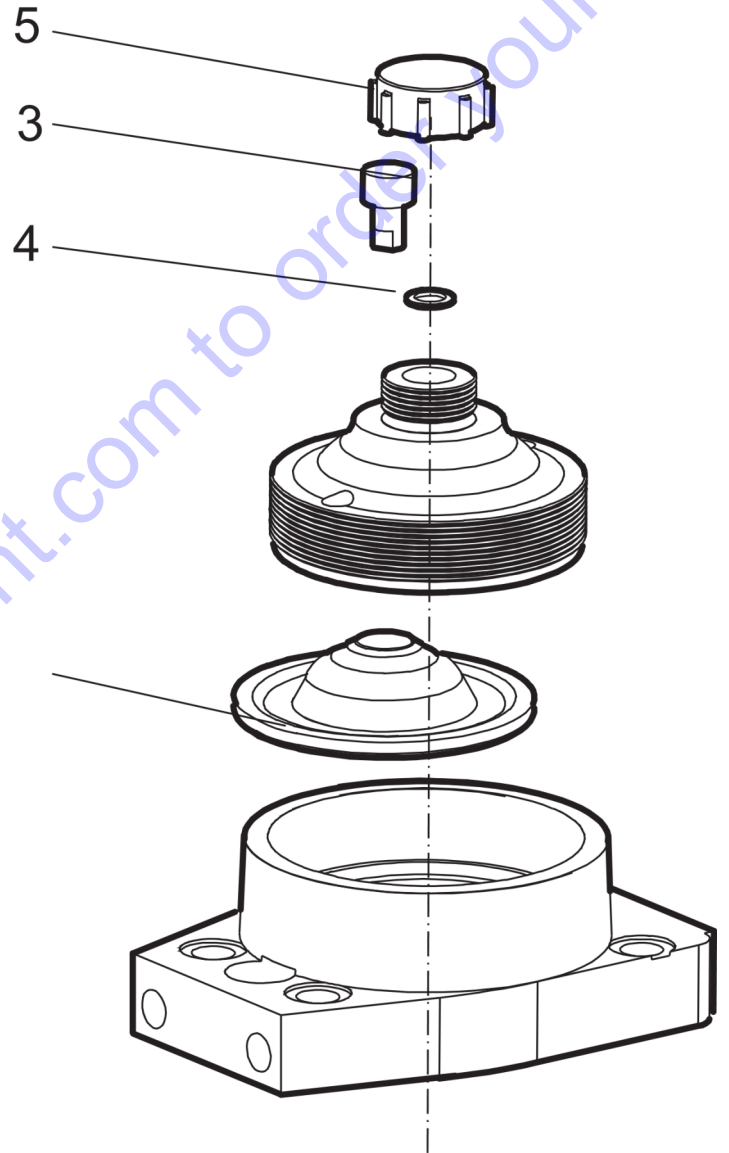
8						
9	10	11	12	13	14	



<b>Id</b>	<b>Qty</b>	<b>Number</b>	<b>Name</b>	<b>Specifications</b>
1	1	3371814051	ACCUMULATOR COMPLETE	
2	1	3376117071	protective nut	
3	1	3371814709	SEAL RING 8,7/13X1	
4	1	3371813103	Charging screw	
5	1	3371814102	ACCUMULATOR COVER	
6	1	3371814052	Diaphragm	
7	1	3371814104	ACCUMULATOR BODY	
8	1	3371801155	FILLING DEVICE COMPLETE	
9	1	3371807780	ADAPTER	
10	1			
11	1	3371807760	TOOL F/ACCUMULATOR COMPL	
12	1			
13	1	3371807779	FILLING HOSE	
14	1	3371807778	FILLING DEVICE	
-	1			

Go to Discount-Equipment.com to order your parts

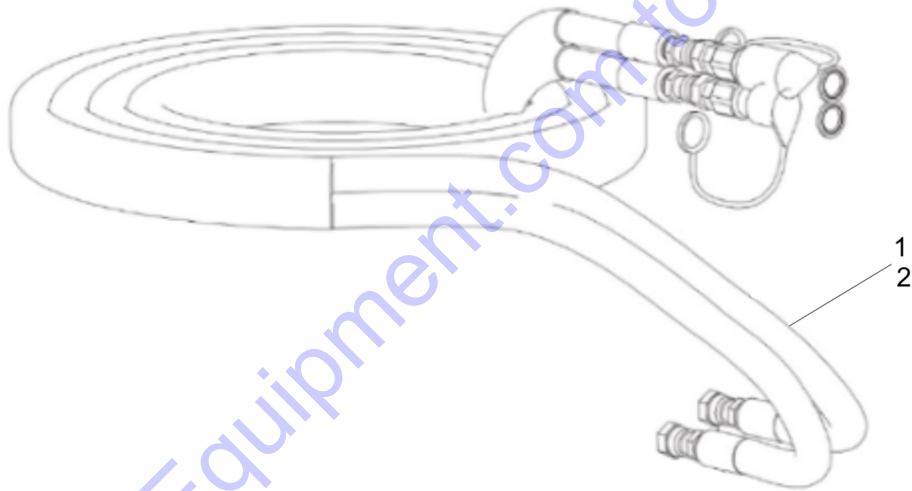
1				
2	3	4	5	



<b>Id</b>	<b>Qty</b>	<b>Number</b>	<b>Name</b>	<b>Specifications</b>
2	1	3371814052	Diaphragm	
3	1	3371813103	Charging screw	
4	1	3371814709	SEAL RING 8,7/13X1	
5	1	3376117071	protective nut	

Go to Discount-Equipment.com to order your parts

Description	Length		Diameter		Weight	Comments	Part number
	m	ft	mm	in	kg <sup>1)</sup>		
Hydraulic twin-extension hose	7.0	23	12.5	½	8.3	Incl. ½ inch Flat-Face quick-release couplings	1 3371 8010 87
	12.0	39	12.5	½	13.3	Incl. ½ inch Flat-Face quick-release couplings	13371 8010 89
	7.0	23	12.5	½	8.0	Incl. ½ inch BSP female connection for direct mounting	13371 8010 82
Double connection hoses	1.6	5	12.5	½	1.7	-	2 3371 8011 90



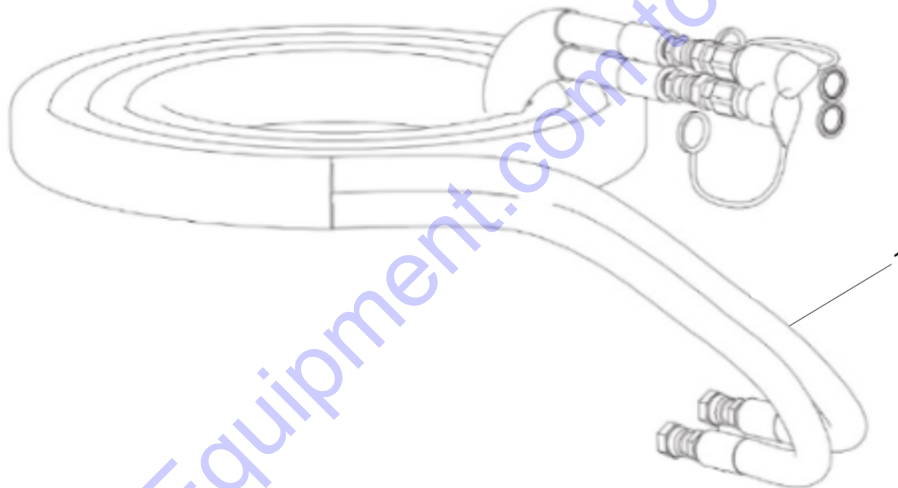
For tech. details check next page

<b>Id</b>	<b>Qty</b>	<b>Number</b>	<b>Name</b>	<b>Specifications</b>
1	1	3371801087	7 m Twin extension hose	
1	1	3371801089	12 m Twin extension hose	
1	1	3371801082	7 m Twin hose	
2	1	3371801190	1.6 M TAIL-HOSE SET	

Go to Discount-Equipment.com to order your parts

Description	Length	Diameter	Weight	Comments	Part number
	ft	in	lbs		
Hydraulic twin-extension hose	30	½	22	½" pressure and ¾" return hose with ½" flat-face quick release couplings	9246 0204 98
Hydraulic twin-extension hose	50	½	37		9246 0204 99
Hydraulic twin-extension hose	15	½ & ¾	12	½" pressure and ¾" return hose with ½" flat-face male and female quick release couplings connect to Chicago Pneumatic handheld hydraulic units and the ¾" male and female flat faced couplings connects to PTO	9246 0205 02
Hydraulic twin-extension hose	30	½ & ¾	24		9246 0205 03
Hydraulic twin-extension hose	50	½ & ¾	37		9246 0205 04

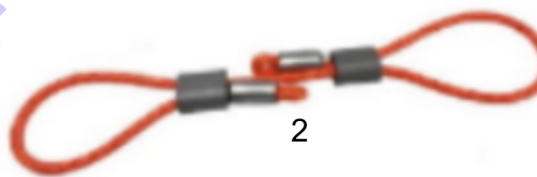




For tech. details check next page

<b>Id</b>	<b>Qty</b>	<b>Number</b>	<b>Name</b>	<b>Specifications</b>
1	1	9246020498	Hydraulic twin-extension hose	
1	1	9247020499	Hydraulic twin-extension hose	
1	1	9246020502	Hydraulic twin-extension hose	
1	1	9246020503	HYD HOSE ASSY 30'X1/2"X3	
1	1	9246020504	Hydraulic twin-extension hose	

Go to Discount-Equipment.com to order your parts



Go to Discount-Equipment.com to order your parts

<b>Id</b>	<b>Qty</b>	<b>Number</b>	<b>Name</b>	<b>Specifications</b>
1	1	3310101858	WHIP CHECK 1/2"-1.1/4",L=540mm	
1	1	3310101859	WHIP CHECK 1.1/2"-3",L=965mm	
1	1	3310101860	WHIP CHECK 3"-6",L=1150mm	
2	1	3310102546	WHIPCHECK PRO 1/2 - 4",L=500MM,BS=1000KG	

Go to Discount-Equipment.com to order your parts

# PARTS FINDER

**Search Website  
by Part Number**



**Search Manual  
Library For Parts  
Manual & Lookup Part  
Numbers – Purchase  
or Request Quote**

**Search Manuals**

Enter your information to help us find the right parts manual for your machine.

\* Brand:

\* Model:

\* Serial:

\* Part Number:

SEARCH

**Can't Find Part or  
Manual? Request Help  
by Manufacturer,  
Model & Description**

**Parts Order Form**

Please fill in the following information to help us find the right part for your machine.

Manufacturer:	<input type="text"/>
Model:	<input type="text"/>
Description:	<input type="text"/>
Part Number:	<input type="text"/>
Quantity:	<input type="text"/>
Notes:	<input type="text"/>

Discount-Equipment.com is your online resource for quality parts & equipment.

Florida: **561-964-4949** Outside Florida TOLL FREE: **877-690-3101**

**Need parts?**

Click on this link: <http://www.discount-equipment.com/category/5443-parts/> and choose one of the options to help get the right parts and equipment you are looking for. Please have the machine model and serial number available in order to help us get you the correct parts. If you don't find the part on the website or on one of the online manuals, please fill out the request form and one of our experienced staff members will get back to you with a quote for the right part that your machine needs.

We sell worldwide for the brands: Genie, Terex, JLG, MultiQuip, Mikasa, Essick, Whiteman, Mayco, Toro Stone, Diamond Products, Generac Magnum, Airman, Haulotte, Barreto, Power Blanket, Nifty Lift, Atlas Copco, Chicago Pneumatic, Allmand, Miller Curber, Skyjack, Lull, Skytrak, Tsurumi, Husquvarna Target, Stow, Wacker, Sakai, Mi-T-M, Sullair, Basic, Dynapac, MBW, Weber, Bartell, Bennar Newman, Haulotte, Ditch Runner, Menegotti, Morrison, Contec, Buddy, Crown, Edco, Wyco, Bomag, Laymor, EZ Trench, Bil-Jax, F.S. Curtis, Gehl Pavers, Heli, Honda, ICS/PowerGrit, IHI, Partner, Imer, Clipper, MMD, Koshin, Rice, CH&E, General Equipment, Amida, Coleman, NAC, Gradall, Square Shooter, Kent, Stanley, Tamco, Toku, Hatz, Kohler, Robin, Wisconsin, Northrock, Oztec, Toker TK, Rol-Air, APT, Wylie, Ingersoll Rand / Doosan, Innovatech, Con X, Ammann, Mecalac, Makinex, Smith Surface Prep, Small Line, Wanco, Yanmar