



www.discount-equipment.com

| | |
|----------------|---|
| Filter | 9870031010,PUN 225208 - 280000 9870031010,PN2 270001 - |
| Identity | 9870031010 |
| Specifications | Product number: 1801344719, Product number: 1801344720, Product number: 1801344722, Product number: 1801800002, Product number: 1801344662, Product number: 1801344660, Product number: 1801344654, Product number: 1801344611, Product number: 1801344658, Product number: 1801344661, Division: Portable Air, Product group: Hydraulic handheld, Product type: Hydraulic hammers, Product: BRK 40 VR, Product: BRK 40 , Product Company: Chakan |

PARTS FINDER

**Search Website
by Part Number**



**Search Manual
Library For Parts
Manual & Lookup Part
Numbers – Purchase
or Request Quote**

Search Manuals

Enter your information to help us find the right parts manual for your machine.

* Brand:

* Model:

* Serial:

* Part Number:

SEARCH

**Can't Find Part or
Manual? Request Help
by Manufacturer,
Model & Description**

Parts Order Form

Please fill in the following information to help us find the right part for your machine.

| | |
|---------------|----------------------|
| Manufacturer: | <input type="text"/> |
| Model: | <input type="text"/> |
| Description: | <input type="text"/> |
| Part Number: | <input type="text"/> |
| Quantity: | <input type="text"/> |
| Notes: | <input type="text"/> |

Discount-Equipment.com is your online resource for quality parts & equipment.

Florida: **561-964-4949** Outside Florida TOLL FREE: **877-690-3101**

Need parts?

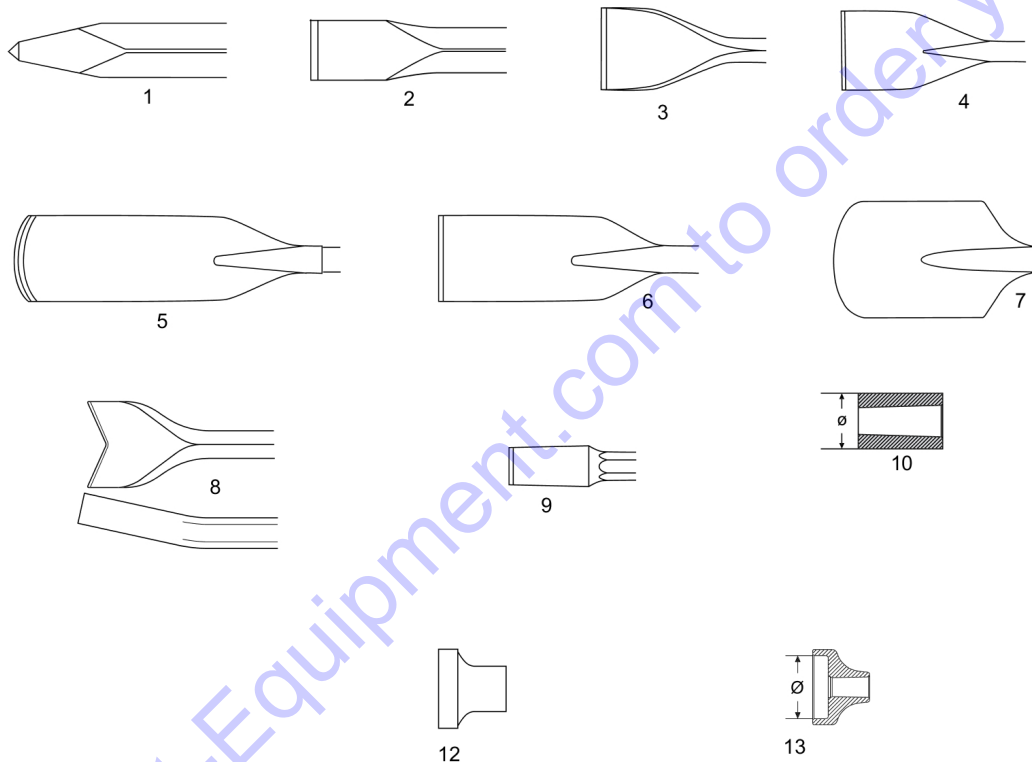
Click on this link: <http://www.discount-equipment.com/category/5443-parts/> and choose one of the options to help get the right parts and equipment you are looking for. Please have the machine model and serial number available in order to help us get you the correct parts. If you don't find the part on the website or on one of the online manuals, please fill out the request form and one of our experienced staff members will get back to you with a quote for the right part that your machine needs.

We sell worldwide for the brands: Genie, Terex, JLG, MultiQuip, Mikasa, Essick, Whiteman, Mayco, Toro Stone, Diamond Products, Generac Magnum, Airman, Haulotte, Barreto, Power Blanket, Nifty Lift, Atlas Copco, Chicago Pneumatic, Allmand, Miller Curber, Skyjack, Lull, Skytrak, Tsurumi, Husquvarna Target, Stow, Wacker, Sakai, Mi-T-M, Sullair, Basic, Dynapac, MBW, Weber, Bartell, Bennar Newman, Haulotte, Ditch Runner, Menegotti, Morrison, Contec, Buddy, Crown, Edco, Wyco, Bomag, Laymor, EZ Trench, Bil-Jax, F.S. Curtis, Gehl Pavers, Heli, Honda, ICS/PowerGrit, IHI, Partner, Imer, Clipper, MMD, Koshin, Rice, CH&E, General Equipment, Amida, Coleman, NAC, Gradall, Square Shooter, Kent, Stanley, Tamco, Toku, Hatz, Kohler, Robin, Wisconsin, Northrock, Oztec, Toker TK, Rol-Air, APT, Wylie, Ingersoll Rand / Doosan, Innovatech, Con X, Ammann, Mecalac, Makinex, Smith Surface Prep, Small Line, Wanco, Yanmar

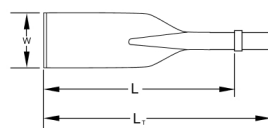
| | |
|---|-----------------------------|
| Working tools 28 x 152 mm (Hex. 1 1/8 x 6 in) Flat to Flat (US) | workingtool28x152us |
| Working tools 32 x 152 mm (Hex. 1 1/4 x 6 in) Flat to Flat (US) | WorkingToolsHex32x152mm |
| Working tools 32 x 160 mm (Hex. 1 1/4 x 6 1/4 in) Point to Flat (ISO) | WorkingTools32x160mm |
| BRK 40, 40 VR | EXPL_VIEW_BRK_40 |
| Nose parts | hhh_cp_brk_02320 |
| Handle standard | hhh_cp_brk_02351 |
| VR-handle | 1hh_cp_brk_02323_9870031010 |
| Breaker and hammer AIR-OIL | no-illustration |
| Breaker and hammer AIR-OIL | no-illustration |
| Seal kit | |
| Trigger valve kit | hhh_cp_brk_02586 |
| Accumulator kit | hhh_cp_brk_02589 |
| Accumulator repair kit | APP |
| Hydraulic hoses | Hydraulichoses |
| Hydraulic twin hoses | Hydraulictwinhoses_CP |
| Whip Check | Whipchec_AC |

Go to Discount-Equipment.com to order your parts

| Description | Working length | | Total length | | Blade / Tip width | | Weight kg ¹⁾ | | Part number |
|----------------|----------------|------|--------------|----|-------------------|-----|----------------------------|----|--------------|
| | mm | in | mm | in | mm | in | | | |
| Moil point | 350 | 14 | 515 | 20 | - | - | 2.6 | 1 | 3083 3267 00 |
| | 450 | 18 | 615 | 24 | - | - | 3.3 | 1 | 3083 4015 10 |
| | 610 | 24 | 775 | 30 | - | - | 4.1 | 1 | 3083 4015 20 |
| Narrow chisel | 350 | 14 | 515 | 20 | - | - | 2.6 | 2 | 3083 3268 00 |
| | 450 | 18 | 615 | 24 | - | - | 3.3 | 2 | 3083 4016 10 |
| | 610 | 24 | 775 | 30 | - | - | 4.1 | 2 | 3083 4016 20 |
| Wide chisel | 380 | 15 | 545 | 21 | 75 | 3 | 3.1 | 3 | 3083 3289 00 |
| | 450 | 18 | 615 | 24 | 75 | 3 | 3.6 | 3 | 3083 4017 00 |
| Asphalt cutter | 280 | 11 | 445 | 18 | 115 | 4 ½ | 3.6 | 4 | 3083 4019 00 |
| Digging chisel | 380 | 15 | 545 | 21 | 75 | 3 | 4.2 | 5 | 3083 3291 00 |
| Digging spade | 320 | 13 | 485 | 19 | 125 | 5 | 3.8 | 6 | 3083 3292 00 |
| Clay spade | 380 | 15 | 545 | 21 | 140 | 5 ½ | 5.0 | 7 | 3083 3293 00 |
| Shaft for pad | 230 | 9 | 395 | 16 | - | - | 2.8 | 8 | 3083 3269 00 |
| Tamping pad | - | - | - | - | Ø180 | Ø7 | 7.2 | 9 | 3083 3301 00 |
| | - | - | - | - | □150 | □6 | 8.3 | 9 | 3083 3302 00 |
| | - | - | - | - | □200 | □8 | 8.5 | 9 | 3083 3197 00 |
| Driver blank | - | - | - | - | Ø80 | Ø3 | 3.5 | 10 | 9245 2827 10 |
| Tie Tamper | 400 | 15.7 | 562 | 22 | 100 | 4 | 4.2 | 11 | 3083 4020 10 |
| Driver Pad | - | - | - | - | Ø120 | Ø5 | 6.0 | 12 | 3376 1120 79 |
| | - | - | - | - | Ø150 | Ø6 | 7.0 | 12 | 3376 1120 77 |

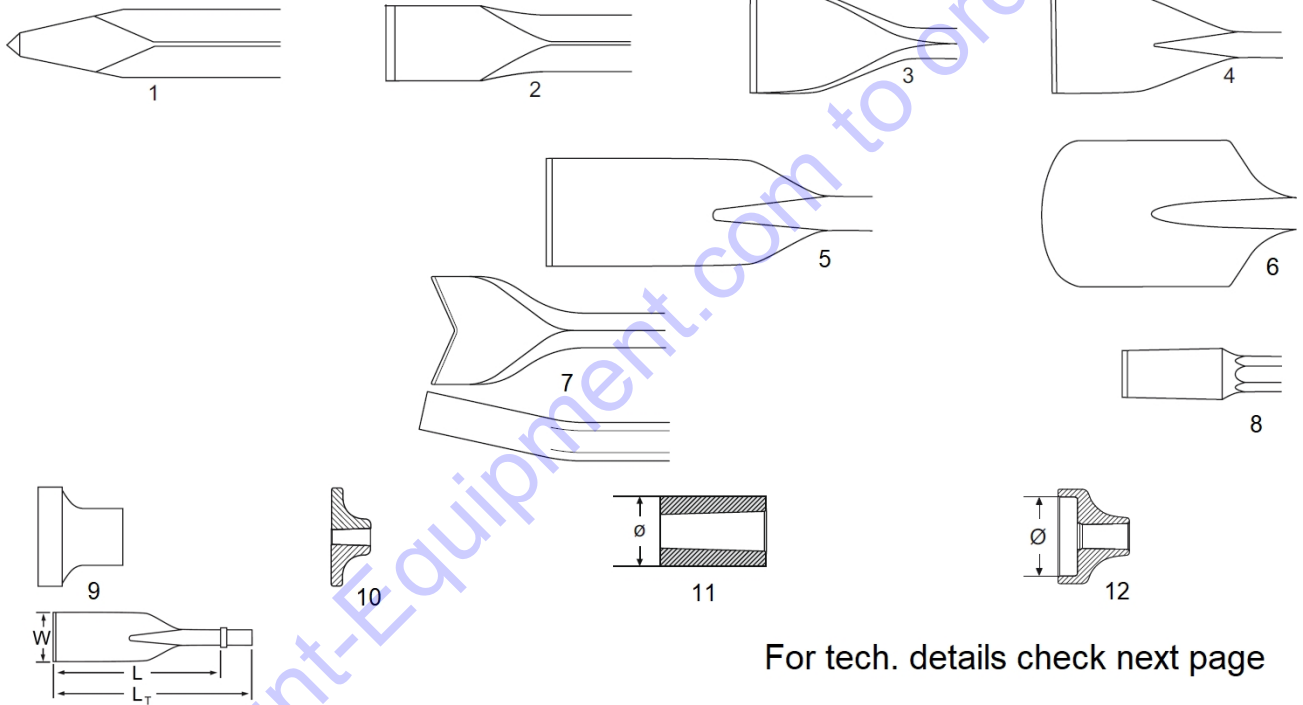


For tech. details check next page



| Id | Qty | Number | Name | Specifications |
|----|-----|------------|--|----------------|
| 1 | 1 | 3083326700 | Moil Point H28X152 Mm (1 1/8" X 6") | |
| 1 | 1 | 3083401510 | Moil Point H28X152 Mm (1 1/8" X 6") | |
| 1 | 1 | 3083401520 | MOIL POINT | |
| 2 | 1 | 3083326800 | NARROW CHISEL | |
| 2 | 1 | 3083401610 | Narrow Chisel H28X152 Mm (1 1/8" X 6") | |
| 2 | 1 | 3083401620 | Narrow Chisel H28X152 Mm (1 1/8" X 6") | |
| 3 | 1 | 3083328900 | WIDE CHISEL | |
| 3 | 1 | 3083401700 | WIDE CHISEL | |
| 4 | 1 | 3083401900 | ASPHALT CUTTER | |
| 5 | 1 | 3083329100 | DIGGING CHISEL | |
| 6 | 1 | 3083329200 | Digging Spade H28X152 Mm (1 1/8" X 6") | |
| 7 | 1 | 3083329300 | CLAY SPADE | |
| 8 | 1 | 3083326900 | SHAFT FOR PAD | |
| 9 | 1 | 3083330100 | TAMPING PAD | |
| 9 | 1 | 3083330200 | TAMPING PAD | |
| 9 | 1 | 3083319700 | TAMPING PAD | |
| 10 | 1 | 9245282710 | DRIVER BLANK | |
| 11 | 1 | 3083402010 | Tie Tamper H28X152 Mm (1 1/8" X 6") | |
| 12 | 1 | 3376112079 | DRIVER PAD 120 MM FOR | |
| 12 | 1 | 3376112077 | DRIVER PAD 150 MM FOR | |

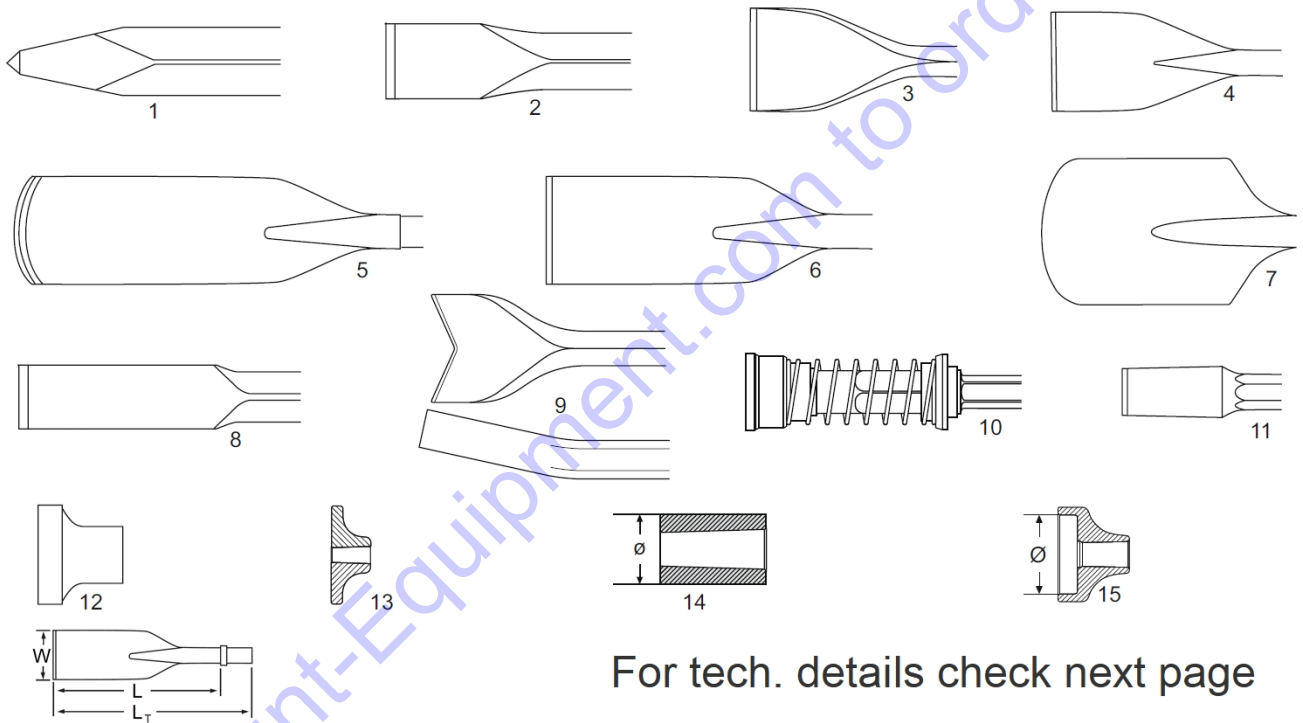
| Description | Working length | | Total length | | Blade / Tip width | | Weight | Part number | |
|----------------|----------------|----|--------------|----|-------------------|-----|------------------|-------------|--------------|
| | mm | in | mm | in | mm | in | kg ¹⁾ | | |
| Moil point | 355 | 14 | 520 | 20 | - | - | 3.3 | 1 | 3083 3285 00 |
| | 450 | 18 | 615 | 24 | - | - | 4.0 | 1 | 3083 4000 10 |
| | 610 | 24 | 775 | 30 | - | - | 5.0 | 1 | 3083 4000 20 |
| Narrow chisel | 355 | 14 | 520 | 20 | - | - | 3.3 | 2 | 3083 3286 00 |
| | 450 | 18 | 615 | 24 | - | - | 4.0 | 2 | 3083 4001 10 |
| | 610 | 24 | 775 | 30 | - | - | 5.0 | 2 | 3083 4001 20 |
| Wide chisel | 380 | 15 | 545 | 21 | 75 | 3 | 3.6 | 3 | 3083 3295 00 |
| Asphalt cutter | 330 | 13 | 495 | 19 | 125 | 5 | 4.0 | 4 | 3083 3096 00 |
| | 305 | 12 | 470 | 19 | 115 | 4 ½ | 4.0 | 4 | 3083 4004 00 |
| Digging spade | 320 | 13 | 485 | 19 | 125 | 5 | 4.3 | 5 | 3083 3298 00 |
| Clay spade | 380 | 15 | 545 | 21 | 140 | 5 ½ | 5.4 | 6 | 3083 3299 00 |
| Tie tamper | 400 | 16 | 565 | 22 | 100 | 4 | 5.0 | 7 | 3083 3314 00 |
| Shaft for pad | 230 | 9 | 395 | 16 | - | - | 3.1 | 8 | 3083 3287 00 |
| Tamping pad | - | - | - | - | Ø180 | Ø7 | 7.2 | 9 | 3083 3301 00 |
| | - | - | - | - | □150 | □6 | 8.3 | 10 | 3083 3302 00 |
| | - | - | - | - | □200 | □8 | 8.5 | 10 | 3083 3197 00 |
| Driver blank | - | - | - | - | Ø80 | Ø3 | 3.5 | 11 | 9245 2827 10 |
| Driver Pad | - | - | - | - | Ø120 | Ø5 | 6.0 | 12 | 3376 1120 79 |
| | - | - | - | - | Ø150 | Ø6 | 7.0 | 12 | 3376 1120 77 |



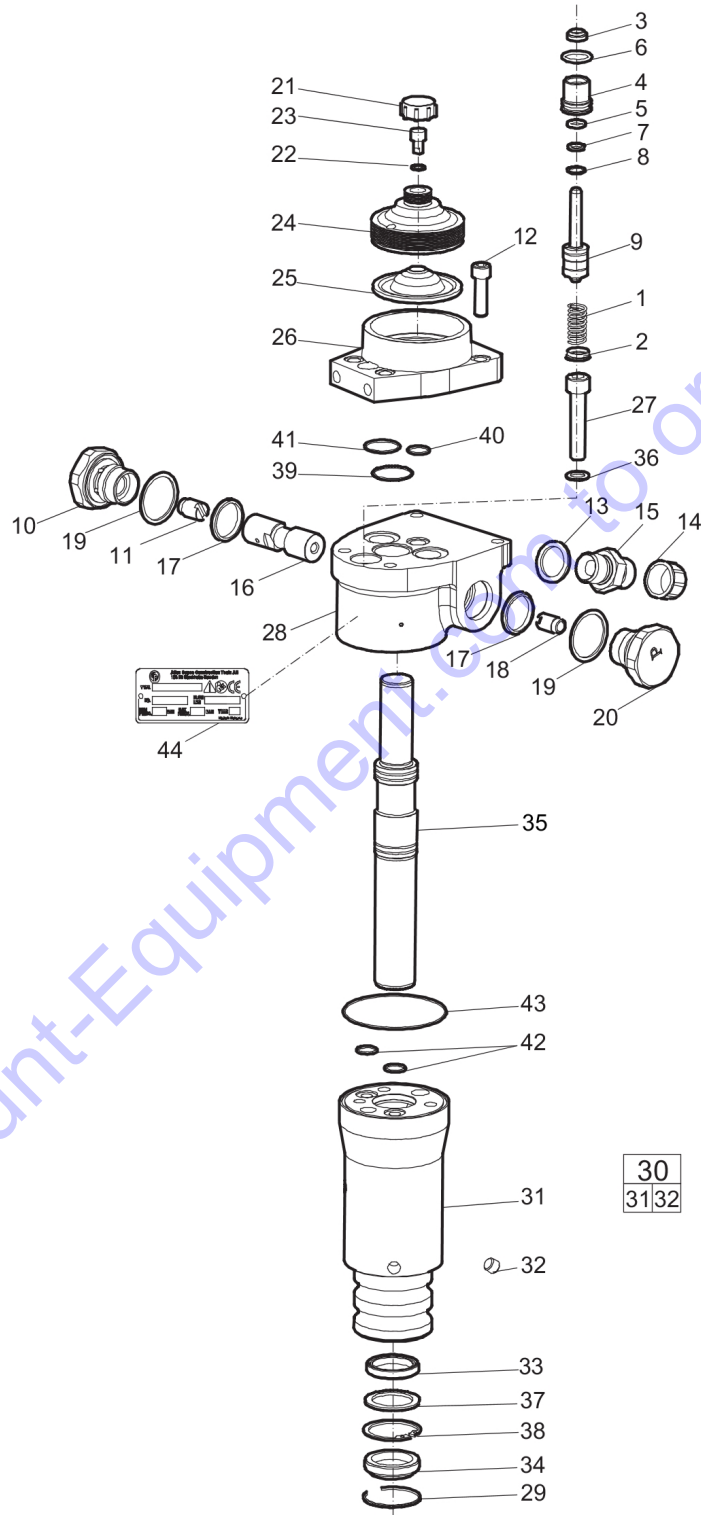
| Id | Qty | Number | Name | Specifications |
|-----------|------------|---------------|-----------------------|-----------------------|
| 1 | 1 | 3083328500 | MOIL POINT | |
| 1 | 1 | 3083400010 | MOIL POINT | |
| 1 | 1 | 3083400020 | MOIL POINT | |
| 2 | 1 | 3083328600 | NARROW CHISEL | |
| 2 | 1 | 3083400110 | NARROW CHISEL | |
| 2 | 1 | 3083400120 | NARROW CHISEL | |
| 3 | 1 | 3083329500 | WIDE CHISEL | |
| 4 | 1 | 3083329600 | ASPHALT CUTTER | |
| 4 | 1 | 3083400400 | ASPHALT CUTTER | |
| 5 | 1 | 3083329800 | DIGGING SPADE | |
| 6 | 1 | 3083329900 | CLAY SPADE | |
| 7 | 1 | 3083331400 | TIE TAMPER | |
| 8 | 1 | 3083328700 | SHAFT FOR PAD | |
| 9 | 1 | 3083330100 | TAMPING PAD | |
| 10 | 1 | 3083330200 | TAMPING PAD | |
| 10 | 1 | 3083319700 | TAMPING PAD | |
| 11 | 1 | 9245282710 | DRIVER BLANK | |
| 12 | 1 | 3376112079 | DRIVER PAD 120 MM FOR | |
| 12 | 1 | 3376112077 | DRIVER PAD 150 MM FOR | |

Go to Discount-Equipment.com to order your parts

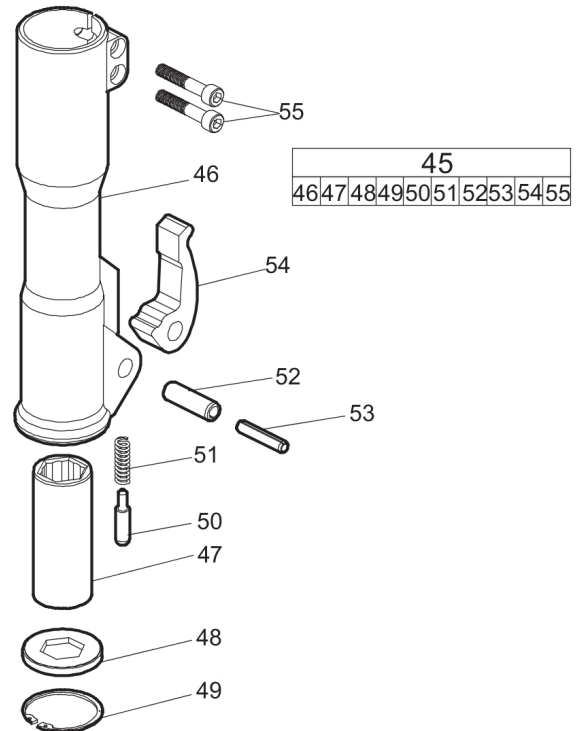
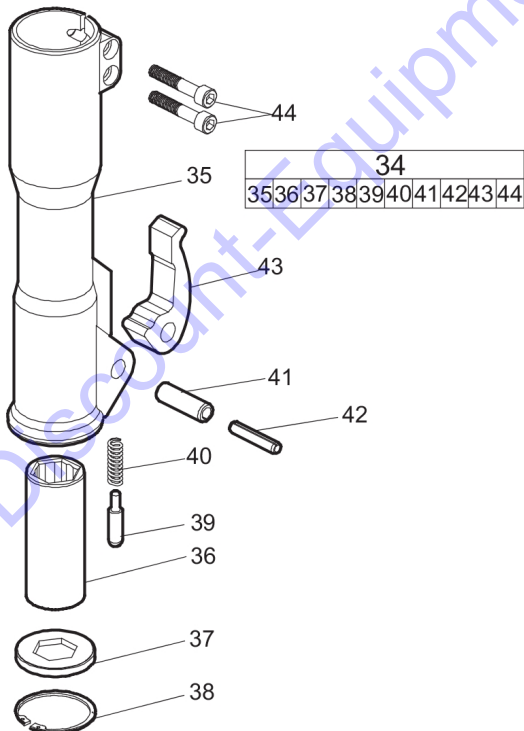
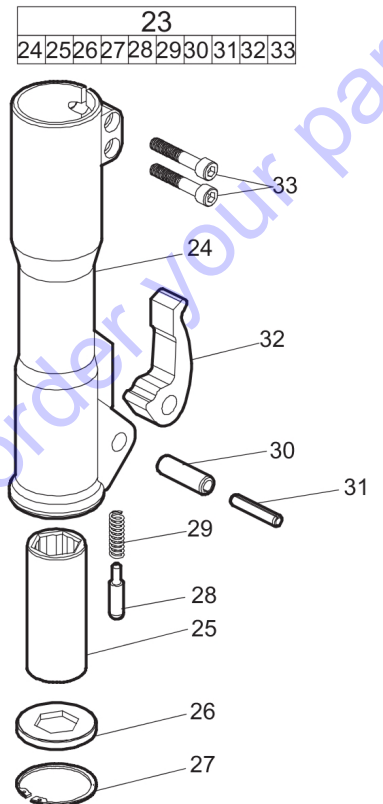
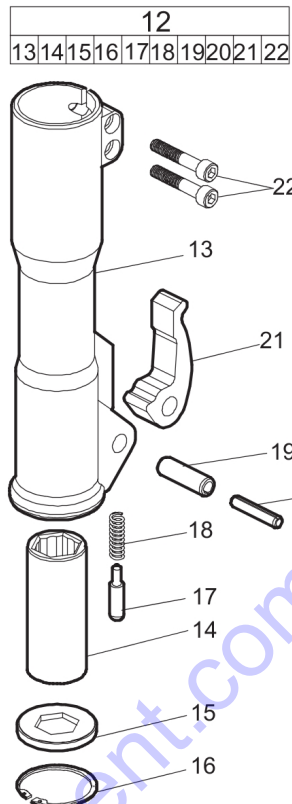
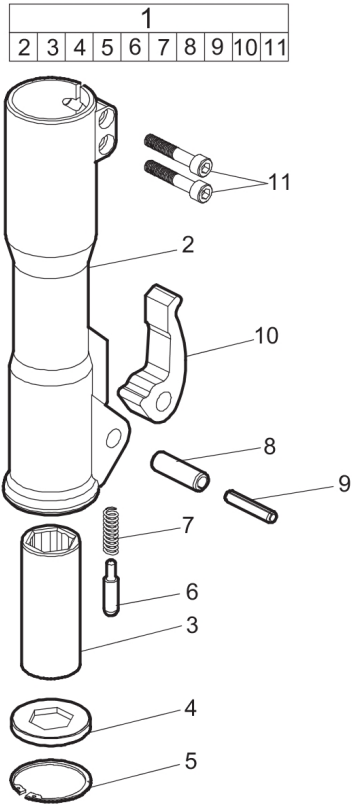
| Description | Working length | | Total length | | Blade / Tip width | | Weight | Part number |
|----------------|----------------|-------|--------------|----|-------------------|-------|------------------|--------------|
| | mm | In | mm | In | mm | In | kg ¹⁾ | |
| Moil point | 380 | 15 | 545 | 21 | - | - | 3.5 | 3083 3205 00 |
| | 450 | 18 | 615 | 24 | - | - | 4.0 | 3083 3206 00 |
| | 1000 | 39 | 1165 | 46 | - | - | 7.6 | 3083 3207 00 |
| Narrow chisel | 380 | 15 | 545 | 21 | - | - | 3.5 | 3083 3208 00 |
| | 450 | 18 | 615 | 24 | - | - | 4.0 | 3083 3209 00 |
| | 1000 | 39 | 1165 | 46 | - | - | 7.6 | 3083 3210 00 |
| Wide chisel | 380 | 15 | 545 | 21 | 75 | 3 | 3.7 | 3083 3211 00 |
| Asphalt cutter | 300 | 12 | 465 | 18 | 115 | 4 1/2 | 3.8 | 3083 3212 00 |
| Digging chisel | 380 | 15 | 545 | 21 | 75 | 3 | 4.4 | 3083 3213 00 |
| Digging spade | 380 | 15 | 545 | 21 | 125 | 5 | 5.1 | 3083 3214 00 |
| Clay spade | 380 | 15 | 545 | 21 | 140 | 5 1/2 | 5.4 | 3083 3215 00 |
| Wedge chisel | 400 | 16 | 565 | 22 | 40 | 1 1/2 | 4.1 | 3083 3216 00 |
| Tie tamper | 400 | 16 | 565 | 22 | 100 | 4 | 4.9 | 3083 3217 00 |
| | 580 | 23 | 745 | 29 | 100 | 4 | 6.2 | 3083 3217 10 |
| Spiking tool | 195 | 7 3/4 | 360 | 14 | - | - | 4.6 | 9245 2826 81 |
| Shaft for pad | 235 | 9 1/4 | 400 | 16 | - | - | 3.2 | 3083 3218 01 |
| Tamping pad | - | - | - | - | Ø180 | Ø7 | 7.2 | 3083 3301 00 |
| | - | - | - | - | □150 | □6 | 8.3 | 3083 3302 00 |
| | - | - | - | - | □200 | □8 | 8.5 | 3083 3197 00 |
| Driver blank | - | - | - | - | Ø80 | Ø3 | 3.5 | 9245 2827 10 |
| Driver Pad | - | - | - | - | Ø120 | Ø5 | 6.0 | 3376 1120 79 |
| | - | - | - | - | Ø150 | Ø6 | 7.0 | 3376 1120 77 |



| Id | Qty | Number | Name | Specifications |
|-----------|------------|---------------|-----------------------------|-----------------------|
| 1 | 1 | 3083320500 | MOIL POINT | |
| 1 | 1 | 3083320600 | MOIL POINT | |
| 1 | 1 | 3083320700 | MOIL POINT | |
| 2 | 1 | 3083320800 | NARROW CHISEL | |
| 2 | 1 | 3083320900 | NARROW CHISEL | |
| 2 | 1 | 3083321000 | NARROW CHISEL | |
| 3 | 1 | 3083321100 | WIDE CHISEL | |
| 4 | 1 | 3083321200 | ASPHALT CUTTER | |
| 5 | 1 | 3083321300 | DIGGING CHISEL | |
| 6 | 1 | 3083321400 | DIGGING SPADE | |
| 7 | 1 | 3083321500 | CLAY SPADE | |
| 8 | 1 | 3083321600 | Frost Wedge Hex 32 X 160 Mm | |
| 9 | 1 | 3083321700 | TIE TAMPER | |
| 9 | 1 | 3083321710 | TIE TAMPER | |
| 10 | 1 | 9245282681 | SPIKING TOOL | |
| 11 | 1 | 3083321801 | SHAFT FOR PAD | |
| 12 | 1 | 3083330100 | TAMPING PAD | |
| 13 | 1 | 3083330200 | TAMPING PAD | |
| 13 | 1 | 3083319700 | TAMPING PAD | |
| 14 | 1 | 9245282710 | DRIVER BLANK | |
| 15 | 1 | 3376112079 | DRIVER PAD 120 MM FOR | |
| 15 | 1 | 3376112077 | DRIVER PAD 150 MM FOR | |



| Id | Qty | Number | Name | Specifications |
|-----------|------------|---------------|---------------------------------------|-----------------------|
| 1 | 1 | 3371814163 | spring f/trigger valve | |
| 2 | 1 | 3371814752 | WASHER 16.8/8.5X1.5 | |
| 3 | 1 | 3371805503 | SEAL 8/14X3.5/5 | |
| 4 | 1 | 3371814120 | PACKING GLAND | |
| 5 | 1 | 3371814700 | O-RING 8.3X2.4 | |
| 6 | 1 | 0663212300 | O-RING | |
| 7 | 1 | 3371814701 | Back-up ring | |
| 8 | 1 | 0335350152 | SNAP RING DIA12-DIA12.4 | |
| 9 | 1 | | Trigger spool with rod | |
| 10 | 1 | 3371814116 | GUIDE SOCKET T | |
| 11 | 1 | 3371814115 | AUXILIARY SPOOL T | |
| 12 | 4 | 0211136400 | HEX SOCK. SCREW | |
| 13 | 2 | 0661100039 | SEALING WASHER 21.54X28.58 | |
| 14 | 2 | 3371813709 | PROTECTIVE CAP 1/2" | |
| 15 | 2 | 0603420010 | NIPLE G1/2" | |
| 16 | 1 | 3371815101 | SPOOL | |
| 17 | 2 | 0663212700 | O-RING | |
| 18 | 1 | 3371814113 | AUXILIARY SPOOL P | |
| 19 | 2 | 3371814710 | O-RING 33X2 | |
| 20 | 1 | 3371814114 | GUIDE SOCKET P | |
| 21 | 1 | 3376117071 | protective nut | |
| 22 | 1 | 3371814709 | SEAL RING 8,7/13X1 | |
| 23 | 1 | 3371813103 | Charging screw | |
| 24 | 1 | 3371814102 | ACCUMULATOR COVER | |
| 25 | 1 | 3371814052 | Diaphragm | |
| 26 | 1 | | Accumulator body | |
| 27 | 3 | 3371815720 | SCREW M10X50 | |
| 28 | 1 | 3371815062 | CYLINDER | |
| 29 | 1 | 3371815738 | LOCKING RING | |
| 30 | 1 | 3371814124 | Cylinder | |
| 31 | 1 | | Cylinder | |
| 32 | 4 | 0686612600 | PLUG | |
| 33 | 1 | 3371814172 | SEAL 28/36X5.7 | |
| 34 | 1 | 0665910091 | WIPER DIA28/DIA38X7/10 | |
| 35 | 1 | 3371814125 | STRIKING PISTON | |
| 36 | 3 | 3371815735 | Back-up washer | |
| 37 | 1 | 3371814169 | BACK-UP WASHER 28.7X38X2 | |
| 38 | 1 | 3371814754 | LOCKING RING 38 | |
| 39 | 1 | 3371814748 | O-RING 25X1.5 | |
| 40 | 1 | 3371814749 | O-RING 13X1.5 | |
| 41 | 2 | 3371820706 | O-RING 22X1.5 | |
| 42 | 2 | 3371814750 | O-RING 12X1.5 | |
| 43 | 1 | 3371814751 | O-RING 69X1.5 | |
| 44 | 1 | | Data plate (Not available separately) | |

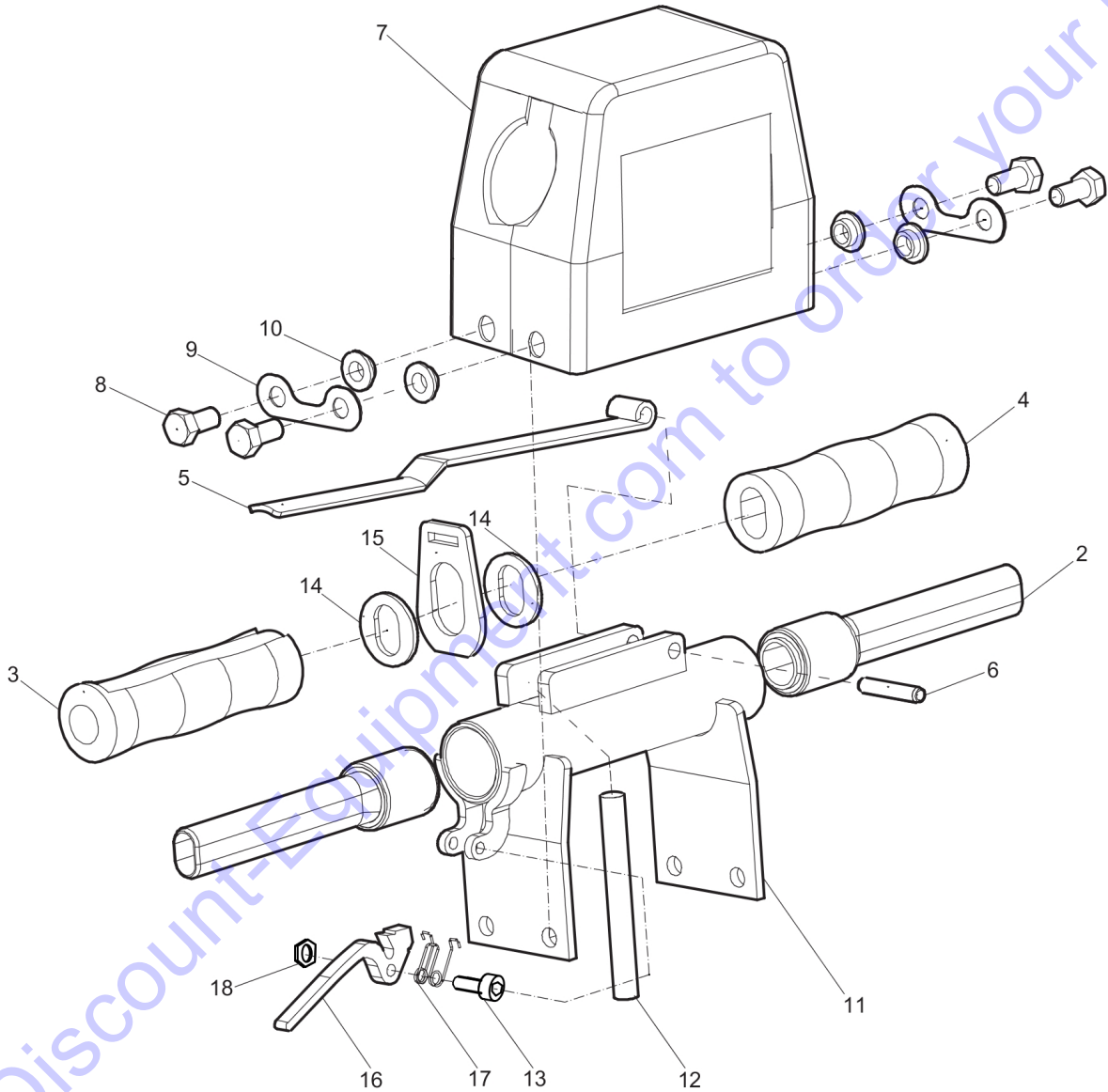


| Id | Qty | Number | Name | Specifications |
|-----------|------------|---------------|--------------------------|-----------------------|
| 1 | 1 | 3371820028 | NOSE PART 25X108 COMPLET | |
| 2 | 1 | | Nose part | |
| 3 | 1 | 3371820191 | BUSHING HEX 25X108 | |
| 4 | 1 | 3371820193 | chisel bellows hex 25 | |
| 5 | 1 | 0335210208 | CIRCLIP FOR BORING 57X2 | |
| 6 | 1 | 3371802073 | LOCK PIN | |
| 7 | 1 | 3371802075 | spring | |
| 8 | 1 | 0108151900 | PIN SPRING | |
| 9 | 1 | 3371815731 | Roll pin ø10x50 | |
| 10 | 1 | 3371820145 | LATCH | |
| 11 | 2 | 3371814724 | SCREW M10X55 | |
| 12 | 1 | 3371820029 | NOSE PART 28X152 COMPLET | |
| 13 | 1 | | Nose part | |
| 13 | 1 | | Nose part | |
| 13 | 1 | | Nose part | |
| 13 | 1 | | Nose part | |
| 13 | 1 | | Nose part | |
| 14 | 1 | 3371820217 | BUSHING HEX 28X152 | |
| 15 | 1 | 3371820219 | CHISEL BELLOWS HEX 28 | |
| 16 | 1 | 3371820737 | Locking ring 64x2 | |
| 17 | 1 | 3371802073 | LOCK PIN | |
| 18 | 1 | 3371802075 | spring | |
| 19 | 1 | 0108151900 | PIN SPRING | |
| 20 | 1 | 0108139400 | SPRING PIN | |
| 21 | 1 | 3371820145 | LATCH | |
| 22 | 2 | 3371814724 | SCREW M10X55 | |
| 23 | 1 | 3371820078 | NOSE PART 28X160 COMPLET | |
| 24 | 1 | | Nose part | |
| 24 | 1 | | Nose part | |
| 24 | 1 | | Nose part | |
| 24 | 1 | | Nose part | |
| 25 | 1 | 3371820218 | BUSHING HEX 28X160 | |
| 26 | 1 | 3371820219 | CHISEL BELLOWS HEX 28 | |
| 27 | 1 | 3371820737 | Locking ring 64x2 | |
| 28 | 1 | 3371802073 | LOCK PIN | |
| 29 | 1 | 3371802075 | spring | |
| 30 | 1 | 0108151900 | PIN SPRING | |
| 31 | 1 | 0108139400 | SPRING PIN | |
| 32 | 1 | 3371820145 | LATCH | |
| 33 | 2 | 3371814724 | SCREW M10X55 | |
| 34 | 1 | 3371820034 | NOSE PART 32X152 COMPLET | |
| 35 | 1 | | Nose part | |
| 35 | 1 | | Nose part | |
| 35 | 1 | | Nose part | |
| 36 | 1 | 3371820212 | BUSHING HEX 32X152 | |
| 37 | 1 | 3371820192 | Chisel bellows HEX 32 | |
| 38 | 1 | 3371820737 | Locking ring 64x2 | |
| 39 | 1 | 3371802073 | LOCK PIN | |

| Id | Qty | Number | Name | Specifications |
|-----------|------------|---------------|--------------------------|-----------------------|
| 40 | 1 | 3371802075 | spring | |
| 41 | 1 | 0108151900 | PIN SPRING | |
| 42 | 1 | 0108139400 | SPRING PIN | |
| 43 | 1 | 3371820145 | LATCH | |
| 44 | 2 | 3371814724 | SCREW M10X55 | |
| 46 | 1 | | Nose part | |
| 45 | 1 | 3371820027 | NOSE PART 32X160 COMPLET | |
| 46 | 1 | | Nose part | |
| 46 | 1 | | Nose part | |
| 47 | 1 | 3371820194 | BUSHING HEX 32X160 | |
| 48 | 1 | 3371820192 | Chisel bellows HEX 32 | |
| 49 | 1 | 3371820737 | Locking ring 64x2 | |
| 50 | 1 | 3371802073 | LOCK PIN | |
| 51 | 1 | 3371802075 | spring | |
| 52 | 1 | 0108151900 | PIN SPRING | |
| 53 | 1 | 0108139400 | SPRING PIN | |
| 54 | 1 | 3371820145 | LATCH | |
| 55 | 2 | 3371814724 | SCREW M10X55 | |

Go to Discount-Equipment.com to order your parts

| | | | | | | | | | | | | | | | | | |
|---|---|---|---|---|---|---|---|----|----|----|----|----|----|----|----|----|--|
| 1 | | | | | | | | | | | | | | | | | |
| 2 | 3 | 4 | 5 | 6 | 7 | 8 | 9 | 10 | 11 | 12 | 13 | 14 | 15 | 16 | 17 | 18 | |

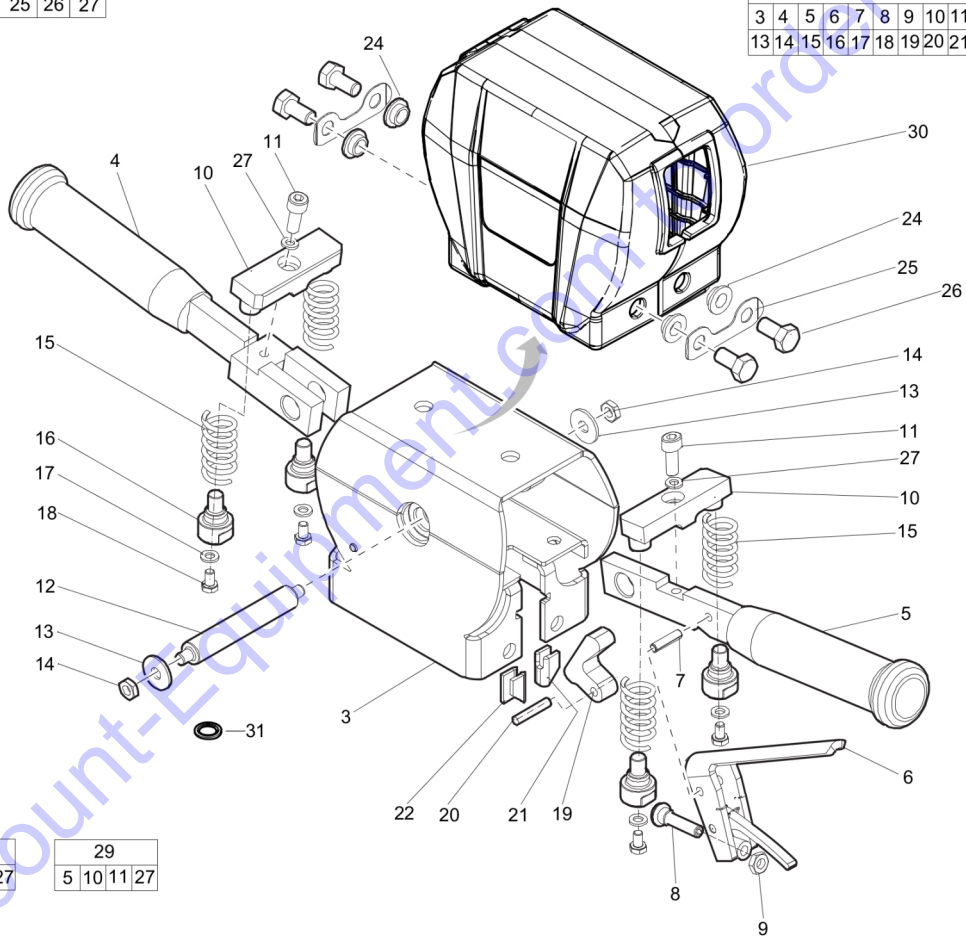


| Id | Qty | Number | Name | Specifications |
|-----------|------------|---------------|--------------------------------------|-----------------------|
| 1 | 1 | 3371820045 | S-HANDLE W/COVER | |
| 2 | 2 | 3371820204 | HANDLE STANDARD | |
| 3 | 1 | 3371820135 | RUBBER HANDLE | |
| 4 | 1 | 3371820134 | RUBBER HANDLE | |
| 5 | 1 | 3371820238 | Trigger Standard | |
| 6 | 1 | 0108136100 | Roll pin Ø 0.31 x 1.6 in.Ø 8 x 40 mm | |
| 7 | 1 | 3371820041 | TOP COVER | |
| 8 | 4 | 0147136003 | PARAF M10X20 DIN933 8.8 FZB | |
| 9 | 2 | 3371815131 | NAB | |
| 10 | 4 | 3371824291 | DISTANCE WASHER | |
| 11 | 1 | 3371820203 | BRACKET F/STANDARD HANDL | |
| 12 | 1 | 3371820207 | Nylon guide | |
| 13 | 1 | 3378206044 | Cap screw | |
| 14 | 2 | 0300013062 | WASHER NYLON 21 37X3 | |
| 15 | 1 | 3371820237 | LOCK PLATE | |
| 16 | 1 | 3371820236 | SAFETY TRIGGER | |
| 17 | 1 | 3371820152 | Spring | |
| 18 | 1 | 3371814716 | Nut M6 | |

Go to Discount-Equipment.com to order your parts

| | | | | |
|---|----|----|----|----|
| 1 | | | | |
| 2 | 24 | 25 | 26 | 27 |

| | | | | | | | | | | | |
|----|----|----|----|----|----|----|----|----|----|----|----|
| 2 | | | | | | | | | | | |
| 3 | 4 | 5 | 6 | 7 | 8 | 9 | 10 | 11 | 12 | 13 | 14 |
| 15 | 16 | 17 | 18 | 19 | 20 | 21 | 22 | | | | |



| | | | |
|----|----|----|----|
| 28 | | | |
| 4 | 10 | 11 | 27 |

| | | | |
|----|----|----|----|
| 29 | | | |
| 5 | 10 | 11 | 27 |

| Id | Qty | Number | Name | Specifications |
|-----------|------------|---------------|-----------------------------------|-----------------------|
| 1 | 1 | 3371821224 | E-HANDLE COMPLETE | |
| 2 | 1 | 3371821065 | E-HANDLE W/O COVER | |
| 3 | 1 | 3371821205 | FRAME | |
| 4 | 1 | 3371821173 | HANDLE LEFT | |
| 5 | 1 | 3371821172 | Handle right | |
| 6 | 1 | 3371821200 | TRIGGER LEVER | |
| 7 | 1 | 0108132600 | PIN | |
| 8 | 1 | 3371821068 | THRUST PAD | |
| 9 | 1 | 3371820722 | Nut M8 | |
| 10 | 2 | 3371821177 | STOPPER | |
| 11 | 2 | 0211132503 | SCREW:M 8X 25;SOC HD,ZN PLT,\$S | |
| 12 | 1 | 3371821184 | PIN | |
| 13 | 2 | 0300801900 | WASHER-FLAT:M 8.40/25.0X2.0T | |
| 14 | 2 | 3371820722 | Nut M8 | |
| 15 | 4 | 3371821178 | SPRING | |
| 16 | 4 | 3371821175 | SPRING GUIDE | |
| 17 | 4 | 0300013009 | PLAIN WASHER | |
| 18 | 4 | 3371817724 | Screw M6x10 | |
| 19 | 1 | 3371821176 | TRIGGER PAWL | |
| 20 | 1 | 0101231155 | PIN D6m6 L30 | |
| 21 | 1 | 3371820147 | PIN LATCH RIGHT | |
| 22 | 1 | 3371820148 | PIN LATCH LEFT | |
| 24 | 4 | 3371824291 | DISTANCE WASHER | |
| 25 | 2 | 3371815131 | NAB | |
| 26 | 4 | 3378034102 | SCREW M10X25 BOLT | |
| 27 | 2 | 3315019504 | LOCK WASHER | |
| 28 | | 3371821291 | V-HANDLE COMPLETE (FORK SIDE) | |
| 29 | | 3371821290 | V-HANDLE COMPLETE (TRIGGER SID | |
| 30 | 1 | 3371824282 | COVER | |
| 31 | 4 | 0661100027 | WASHER-SEAL:M 21.5IDX28.5OD | |

NO EXPLODED VIEW
AVAILABLE
FOR THIS BOM

Go to Discount-Equipment.com to order your parts

| Id | Qty | Number | Name | Specifications |
|----|-----|------------|---|----------------|
| 20 | | 0211136400 | HEX SOCK. SCREW | |
| - | 2 | 3371803075 | HOSE 1.6 M | |
| - | 1 | 3371805503 | SEAL 8/14X3.5/5 | |
| - | 1 | 8461020853 | TEX 3, 19x50 | |
| - | 2 | 3371803050 | 0.4 m 1/2" hose | |
| - | 1 | 9030206900 | Water flushing hose BBC/BBD/RH (PM) | |
| 1 | 1 | 8099020240 | Breaker and hammer AIR-OIL,0.25 l, 0.06 US gallon | |
| - | 1 | | Vibration handle kit | |
| - | 2 | 3121029200 | NUT | |
| - | 1 | 3371896061 | LABEL | |
| - | 2 | 0661100039 | SEALING WASHER 21.54X28.58 | |
| - | 1 | 3378512072 | DUST SEAL | |
| - | 2 | 0661100027 | WASHER-SEAL:M 21.5IDX28.5OD | |
| - | 2 | 0663614100 | O-RING | |
| 22 | | 3371820266 | GUIDE SOCKET | |
| - | 1 | 3371820702 | O-RING 24X1.5 | |
| - | 1 | 3371814700 | O-RING 8.3X2.4 | |
| - | 2 | 3111002000 | PAWL | |
| - | 2 | 3121034300 | SIDEBOLT | |
| - | 2 | 0663211400 | O ring | |
| - | 1 | 9030204300 | HOSE | |
| - | 2 | 0663211200 | O-ring, 5.3 x 2.4 mm (70 shore), 0.21 x 0.09 in. (70 shore) | |
| - | 2 | 3121087200 | NUT | |
| 19 | 1 | | Nut - Hexagon | |
| - | 1 | | Nut - Hexagon | |
| 2 | 1 | 8099020236 | LUBRICATING OIL | |
| - | 1 | 3371896062 | LABEL | |
| - | 4 | 3371820703 | O-RING 18X2 | |
| 23 | | 3371820267 | SPOOL SOCKET | |
| - | 1 | 3378512073 | SHAFT SEAL | |
| - | 1 | 3371805133 | Q.R. coupling 08 female | |
| - | 1 | 3371897166 | Product model label | |
| - | 1 | 0663212300 | O-RING | |
| - | 2 | 4950026400 | DIAPHRAGME | |
| - | 1 | 0663613400 | O-ring NBR | |
| - | 1 | 3371896097 | ATLAS COPCO LOGO | |
| - | 2 | | SIDE BOLT | |
| - | 2 | 3111002300 | SPRING | |
| - | 1 | 3083322000 | MOIL POINT | |
| 20 | 1 | | Rod - Threaded | |
| - | 1 | | Rod - Threaded | |
| - | 2 | 0663212200 | O-RING | |
| - | 1 | 8202510205 | LUBRICATOR BLG 30 | |
| - | 2 | 3121002100 | PIN | |
| - | 2 | | SIDE BOLT | |

| Id | Qty | Number | Name | Specifications |
|----|-----|------------|--|----------------|
| 3 | 20 | 8099020281 | Breaker and hammer AIR-OIL, 20 x 1 l | bottles (pack) |
| - | 4 | 3378512086 | O-RING | |
| - | 2 | 3371897155 | CP logo | |
| - | 1 | 3371897082 | PRODUCT LABEL "LPD-T" | |
| - | 1 | 3371897165 | Product model label | |
| - | 1 | 3371805134 | Q.R. coupling 08 male | |
| - | 1 | 3330002200 | SLID.O-RING | |
| - | 2 | 3330008100 | STOP | |
| - | 1 | 3371820704 | O-RING 30X2 | |
| - | 1 | 3371814701 | Back-up ring | |
| - | 1 | 3371896000 | LABEL | |
| - | 2 | | NUT | |
| - | 4 | 0663212400 | O-ring 17,3x2,4 | |
| - | 1 | 8202510239 | CLG 30 | |
| 6 | 1 | | Gasket - governor housing | |
| - | 2 | | Gasket - governor housing | |
| 4 | 1 | 8099020202 | Breaker and hammer air-oil 5l | |
| - | 1 | 3083322200 | NARROW CHISEL | |
| 32 | | 0603420010 | NIPLE G1/2" | |
| - | 2 | 0663212000 | O-ring 13,3x2,4 | |
| - | 2 | 4090020100 | Seal | |
| - | 1 | 3371805733 | PROTECTIVE CAP 1/2" FEMA | |
| - | 1 | 3371897168 | LABEL | |
| - | 1 | 3371897083 | PRODUCT LABEL "LPD-RV" | |
| - | 2 | 3371897156 | CP logo | |
| - | 1 | 3371896113 | Label | |
| - | 1 | 3371897286 | Product label | |
| 33 | | 3371818013 | T-CONNECTION BSP 4.2 | |
| - | 1 | 0335350152 | SNAP RING DIA12-DIA12.4 | |
| - | 1 | 3371897164 | Product label | |
| - | 1 | | O-RING | |
| 7 | 1 | | O-RING | |
| 5 | 4 | 8099020285 | BREAKER AND HAMMER AIR-OIL | (4x5L) |
| - | 1 | 8099020240 | Breaker and hammer AIR-OIL,0.25 l, | 0.06 US gallon |
| - | 4 | 0211124401 | SCREW | |
| - | 2 | 0663212500 | O-RING | |
| - | 1 | 3371820705 | O-RING 32X2 | |
| - | 6 | 0663614400 | O-ring, 99.5 x 3.0 mm, 3.92 x 0.12 in. | |
| - | 1 | 3371897080 | Product label | |
| - | 1 | 3371897304 | Product label | |
| - | 1 | 3371896006 | Label | |
| - | 1 | 3371805732 | PROTECTIVE CAP 1/2" MALE | |
| 34 | | 3371818020 | T-CONNECTION BSP 3.4 | |
| - | 1 | 3371897167 | Product label | |
| - | 1 | 3371897163 | Product label | |
| - | 1 | 3310120600 | STORAGE BOX | |

| Id | Qty | Number | Name | Specifications |
|----|-----|------------|--|----------------|
| - | 1 | 8092011082 | VAM 5A WATER SEPARATOR | |
| - | 1 | 3371820762 | O-RING 25.12X1.78 | |
| - | 1 | | O-RING | |
| - | 3 | 0663212700 | O-RING | |
| - | 1 | 0663212800 | O-RING | |
| - | 1 | 0663212600 | O RING | |
| - | 1 | 3371897081 | Product label | |
| - | 2 | 3371814703 | O-RING 24.2X3 | |
| - | 1 | 3371897287 | Product label | |
| - | 1 | 3371897270 | Label HBP | |
| - | 1 | 3330002500 | WASHER | |
| - | 1 | | Pin - governor push | |
| - | 3 | 0663213200 | O-RING | |
| - | 1 | 3371801087 | 7 m Twin extension hose | |
| - | 2 | 0663613600 | O-RING 59.5X3 | |
| 35 | | 0603420010 | NIPLE G1/2" | |
| - | 1 | 0335350801 | SNAP RING DIA 45 | |
| - | 1 | 3371820176 | SEAL 32/40X6 | |
| - | 1 | 3371803052 | 7 m 1/2" hose | |
| - | 4 | 0663614800 | O-ring, 119.5 x 3.0 mm, 4.70 x 0.12 in. | |
| 51 | | 0211141000 | HEX SOCK. SCREW M12X75-12.9 | |
| - | 2 | 3371814710 | O-RING 33X2 | |
| - | 1 | | Pin - governor weight | |
| - | 1 | 9030204100 | RUBBER HOSE | |
| - | 1 | 0663213500 | O-RING | |
| - | 1 | 0663212900 | O-RING | |
| - | 4 | 0211133000 | SCREW M8X50 DIN 912 12.9 FZB | |
| - | 1 | 0663614200 | ORING ID 89.5MM | |
| - | 2 | 0663213300 | O-ring | |
| - | 1 | 3106967000 | PACKING | |
| 58 | | 3371817721 | SCREW M10X20 | |
| - | 4 | 3330005700 | VALVE SEAT | |
| - | 1 | 3371820708 | SEAL 32/45X7/10 | |
| - | 1 | 3371802109 | Label | |
| - | 1 | 3371896047 | LABEL | |
| - | 2 | 0663612000 | O-ring, 13.1 x 1.6 mm (70 shore), 0.52 x 0.06 in. (70 shore) | |
| - | 2 | 0663612900 | O-RING | |
| - | 1 | | Blade - rotor | |
| - | 1 | 9000031300 | CLAW COUPLING | |
| - | 1 | 3371814709 | SEAL RING 8,7/13X1 | |
| - | 2 | 3330000500 | SEAL.WASHER | |
| - | 1 | 3371896048 | LABEL | |
| - | 1 | 3106967500 | WASHER | |
| - | 4 | 3330005800 | FLAP | |
| 79 | | 0211136300 | Screw | |
| - | 1 | 0663918400 | O-ring | |
| - | 1 | 9000019700 | HOSE CLAMP | |

| Id | Qty | Number | Name | Specifications |
|----|-----|------------|---|----------------|
| - | 1 | | O-RING | |
| - | 1 | 3371815738 | LOCKING RING | |
| - | 1 | 0502222100 | BALL BEARING | |
| - | 1 | 3371802108 | Label | |
| - | 1 | 3371802107 | Label | |
| - | 1 | 3371814754 | LOCKING RING 38 | |
| - | 2 | 0335351602 | SNAP RING DIA8-DIA7.6 | |
| - | 1 | 0663613900 | O RING | |
| - | 1 | 3121001200 | PACKING | |
| - | 1 | 3000012100 | RUBB.PACKING | |
| - | 1 | | Gasket - seal plate | |
| - | 1 | 0663614000 | O RING 79.5X3 | |
| - | 4 | 0101414000 | Pin | |
| 62 | | 3377000432 | ADAPTOR 08-06 | |
| - | 1 | 3330000400 | WASHER | |
| - | 4 | 0663215200 | O-ring, 124.3 x 5.7 mm, 4.89 x 0.22 in. | |
| - | 1 | 3371820700 | SHIM PS 8X14X0.5 | |
| - | 1 | 3371802106 | Label | |
| - | 1 | 3121007200 | RING | |
| - | 1 | 3115098280 | VALVE BODY | |
| - | 1 | 9238270790 | TEMPLATE | |
| - | 1 | 3100964600 | PACKING | |
| - | 1 | | O-RING | |
| - | 1 | 3371814748 | O-RING 25X1.5 | |
| - | 1 | | Seal - oil | |
| - | 1 | 3100965300 | PACKING | |
| - | 1 | 3000964600 | Packing | |
| - | 1 | 3371814749 | O-RING 13X1.5 | |
| - | 1 | 3371802105 | Label | |
| - | 4 | 0147137202 | Screw, M10 x 75 mm | |
| - | 1 | 0504221700 | Bearing | |
| 70 | | 0211136300 | Screw | |
| - | 1 | 0518125500 | SEAL RING | |
| - | 2 | 3371820706 | O-RING 22X1.5 | |
| - | 1 | | BRAKERING | |
| - | 1 | 3162097600 | GASKET | |
| - | 1 | 3121054500 | PACKING | |
| - | 2 | 3132017300 | PACKING | |
| - | 2 | 3371814750 | O-RING 12X1.5 | |
| - | 1 | 3330002300 | NUT | |
| - | 1 | 3371814751 | O-RING 69X1.5 | |
| - | 1 | 3371817757 | O-RING 6X2 | |
| - | 1 | 3376100084 | O-RING 8X2 | |
| - | 1 | 3371820718 | SEAL RING 9/14X1 | |
| - | 1 | 3371820725 | O-RING 82X1.5 | |
| - | 1 | 3371820726 | O-RING 16X1.5 | |
| - | 1 | 3371820167 | BACK-UP WASHER 32.7/45X | |
| - | 1 | 3371820727 | LOCKING RING | |

NO EXPLODED VIEW
AVAILABLE
FOR THIS BOM

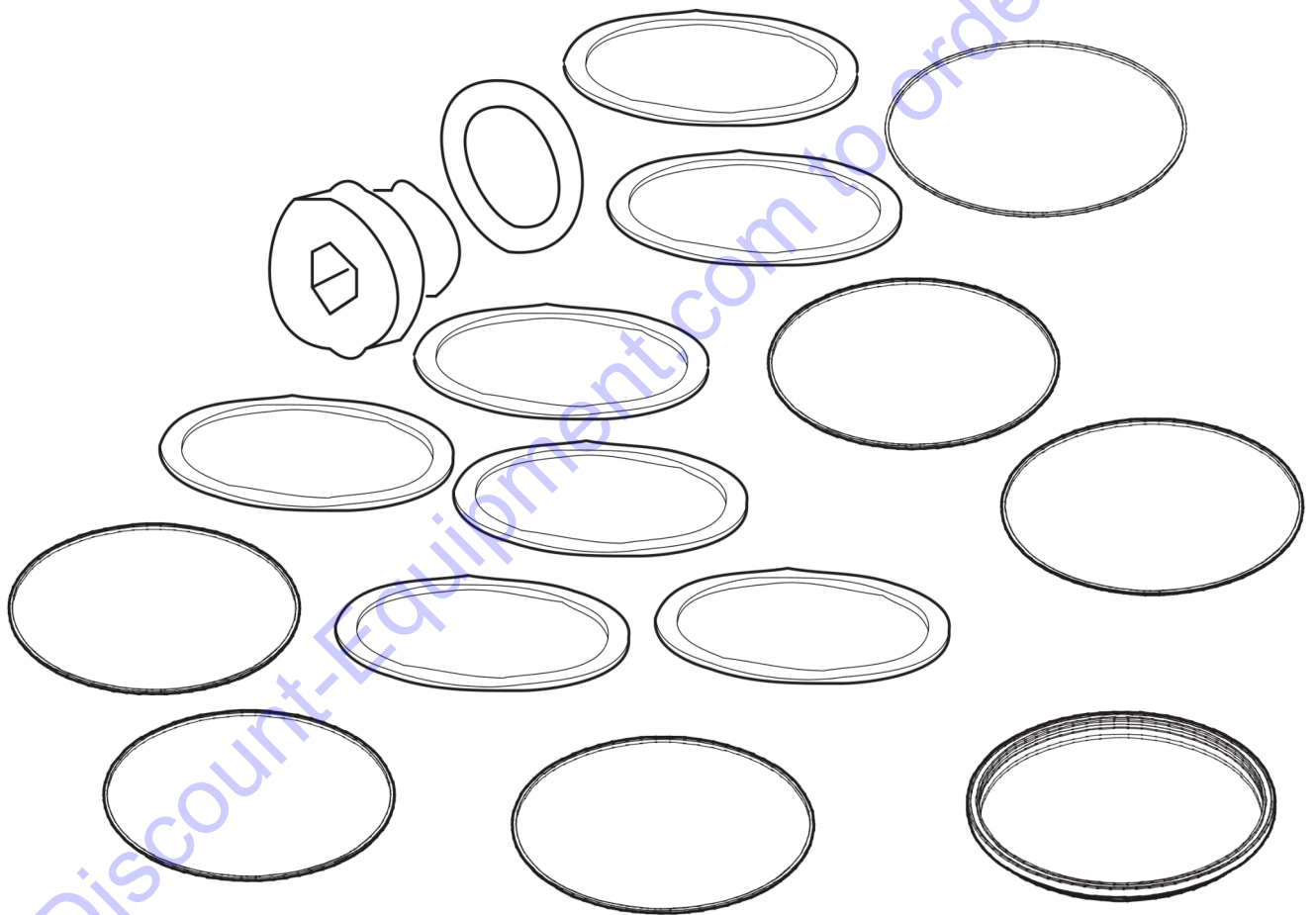
Go to Discount-Equipment.com to order your parts

| Id | Qty | Number | Name | Specifications |
|----|-----|------------|---|----------------|
| 20 | | 0211136400 | HEX SOCK. SCREW | |
| - | 2 | 3371803075 | HOSE 1.6 M | |
| - | 1 | 3371805503 | SEAL 8/14X3.5/5 | |
| - | 1 | 8461020853 | TEX 3, 19x50 | |
| - | 2 | 3371803050 | 0.4 m 1/2" hose | |
| - | 1 | 9030206900 | Water flushing hose BBC/BBD/RH (PM) | |
| 1 | 1 | 8099020240 | Breaker and hammer AIR-OIL,0.25 l, 0.06 US gallon | |
| - | 1 | | Vibration handle kit | |
| - | 2 | 3121029200 | NUT | |
| - | 1 | 3371896061 | LABEL | |
| - | 2 | 0661100039 | SEALING WASHER 21.54X28.58 | |
| - | 1 | 3378512072 | DUST SEAL | |
| - | 2 | 0661100027 | WASHER-SEAL:M 21.5IDX28.5OD | |
| - | 2 | 0663614100 | O-RING | |
| 22 | | 3371820266 | GUIDE SOCKET | |
| - | 1 | 3371820702 | O-RING 24X1.5 | |
| - | 1 | 3371814700 | O-RING 8.3X2.4 | |
| - | 2 | 3111002000 | PAWL | |
| - | 2 | 3121034300 | SIDEBOLT | |
| - | 2 | 0663211400 | O ring | |
| - | 1 | 9030204300 | HOSE | |
| - | 2 | 0663211200 | O-ring, 5.3 x 2.4 mm (70 shore), 0.21 x 0.09 in. (70 shore) | |
| - | 2 | 3121087200 | NUT | |
| 19 | 1 | | Nut - Hexagon | |
| - | 1 | | Nut - Hexagon | |
| 2 | 1 | 8099020236 | LUBRICATING OIL | |
| - | 1 | 3371896062 | LABEL | |
| - | 4 | 3371820703 | O-RING 18X2 | |
| 23 | | 3371820267 | SPOOL SOCKET | |
| - | 1 | 3378512073 | SHAFT SEAL | |
| - | 1 | 3371805133 | Q.R. coupling 08 female | |
| - | 1 | 3371897166 | Product model label | |
| - | 1 | 0663212300 | O-RING | |
| - | 2 | 4950026400 | DIAPHRAGME | |
| - | 1 | 0663613400 | O-ring NBR | |
| - | 1 | 3371896097 | ATLAS COPCO LOGO | |
| - | 2 | | SIDE BOLT | |
| - | 2 | 3111002300 | SPRING | |
| - | 1 | 3083322000 | MOIL POINT | |
| 20 | 1 | | Rod - Threaded | |
| - | 1 | | Rod - Threaded | |
| - | 2 | 0663212200 | O-RING | |
| - | 1 | 8202510205 | LUBRICATOR BLG 30 | |
| - | 2 | 3121002100 | PIN | |
| - | 2 | | SIDE BOLT | |

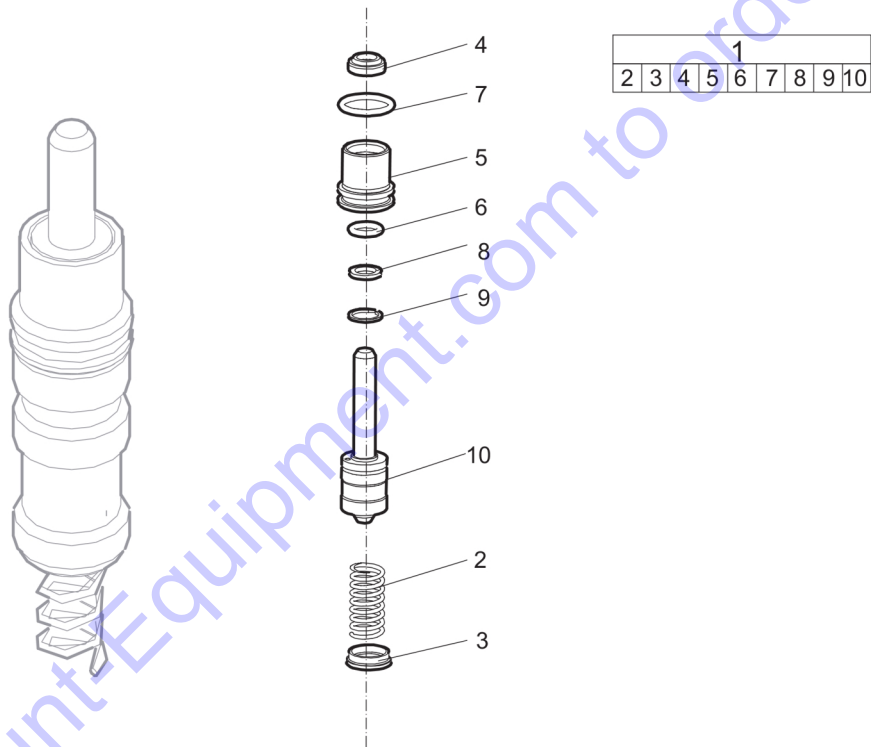
| Id | Qty | Number | Name | Specifications |
|----|-----|------------|--|----------------|
| 3 | 20 | 8099020281 | Breaker and hammer AIR-OIL, 20 x 1 l | bottles (pack) |
| - | 4 | 3378512086 | O-RING | |
| - | 2 | 3371897155 | CP logo | |
| - | 1 | 3371897082 | PRODUCT LABEL "LPD-T" | |
| - | 1 | 3371897165 | Product model label | |
| - | 1 | 3371805134 | Q.R. coupling 08 male | |
| - | 1 | 3330002200 | SLID.O-RING | |
| - | 2 | 3330008100 | STOP | |
| - | 1 | 3371820704 | O-RING 30X2 | |
| - | 1 | 3371814701 | Back-up ring | |
| - | 1 | 3371896000 | LABEL | |
| - | 2 | | NUT | |
| - | 4 | 0663212400 | O-ring 17,3x2,4 | |
| - | 1 | 8202510239 | CLG 30 | |
| 6 | 1 | | Gasket - governor housing | |
| - | 2 | | Gasket - governor housing | |
| 4 | 1 | 8099020202 | Breaker and hammer air-oil 5l | |
| - | 1 | 3083322200 | NARROW CHISEL | |
| 32 | | 0603420010 | NIPLE G1/2" | |
| - | 2 | 0663212000 | O-ring 13,3x2,4 | |
| - | 2 | 4090020100 | Seal | |
| - | 1 | 3371805733 | PROTECTIVE CAP 1/2" FEMA | |
| - | 1 | 3371897168 | LABEL | |
| - | 1 | 3371897083 | PRODUCT LABEL "LPD-RV" | |
| - | 2 | 3371897156 | CP logo | |
| - | 1 | 3371896113 | Label | |
| - | 1 | 3371897286 | Product label | |
| 33 | | 3371818013 | T-CONNECTION BSP 4.2 | |
| - | 1 | 0335350152 | SNAP RING DIA12-DIA12.4 | |
| - | 1 | 3371897164 | Product label | |
| - | 1 | | O-RING | |
| 7 | 1 | | O-RING | |
| 5 | 4 | 8099020285 | BREAKER AND HAMMER AIR-OIL | (4x5L) |
| - | 1 | 8099020240 | Breaker and hammer AIR-OIL,0.25 l, | 0.06 US gallon |
| - | 4 | 0211124401 | SCREW | |
| - | 2 | 0663212500 | O-RING | |
| - | 1 | 3371820705 | O-RING 32X2 | |
| - | 6 | 0663614400 | O-ring, 99.5 x 3.0 mm, 3.92 x 0.12 in. | |
| - | 1 | 3371897080 | Product label | |
| - | 1 | 3371897304 | Product label | |
| - | 1 | 3371896006 | Label | |
| - | 1 | 3371805732 | PROTECTIVE CAP 1/2" MALE | |
| 34 | | 3371818020 | T-CONNECTION BSP 3.4 | |
| - | 1 | 3371897167 | Product label | |
| - | 1 | 3371897163 | Product label | |
| - | 1 | 3310120600 | STORAGE BOX | |

| Id | Qty | Number | Name | Specifications |
|----|-----|------------|--|----------------|
| - | 1 | 8092011082 | VAM 5A WATER SEPARATOR | |
| - | 1 | 3371820762 | O-RING 25.12X1.78 | |
| - | 1 | | O-RING | |
| - | 3 | 0663212700 | O-RING | |
| - | 1 | 0663212800 | O-RING | |
| - | 1 | 0663212600 | O RING | |
| - | 1 | 3371897081 | Product label | |
| - | 2 | 3371814703 | O-RING 24.2X3 | |
| - | 1 | 3371897287 | Product label | |
| - | 1 | 3371897270 | Label HBP | |
| - | 1 | 3330002500 | WASHER | |
| - | 1 | | Pin - governor push | |
| - | 3 | 0663213200 | O-RING | |
| - | 1 | 3371801087 | 7 m Twin extension hose | |
| - | 2 | 0663613600 | O-RING 59.5X3 | |
| 35 | | 0603420010 | NIPLE G1/2" | |
| - | 1 | 0335350801 | SNAP RING DIA 45 | |
| - | 1 | 3371820176 | SEAL 32/40X6 | |
| - | 1 | 3371803052 | 7 m 1/2" hose | |
| - | 4 | 0663614800 | O-ring, 119.5 x 3.0 mm, 4.70 x 0.12 in. | |
| 51 | | 0211141000 | HEX SOCK. SCREW M12X75-12.9 | |
| - | 2 | 3371814710 | O-RING 33X2 | |
| - | 1 | | Pin - governor weight | |
| - | 1 | 9030204100 | RUBBER HOSE | |
| - | 1 | 0663213500 | O-RING | |
| - | 1 | 0663212900 | O-RING | |
| - | 4 | 0211133000 | SCREW M8X50 DIN 912 12.9 FZB | |
| - | 1 | 0663614200 | ORING ID 89.5MM | |
| - | 2 | 0663213300 | O-ring | |
| - | 1 | 3106967000 | PACKING | |
| 58 | | 3371817721 | SCREW M10X20 | |
| - | 4 | 3330005700 | VALVE SEAT | |
| - | 1 | 3371820708 | SEAL 32/45X7/10 | |
| - | 1 | 3371802109 | Label | |
| - | 1 | 3371896047 | LABEL | |
| - | 2 | 0663612000 | O-ring, 13.1 x 1.6 mm (70 shore), 0.52 x 0.06 in. (70 shore) | |
| - | 2 | 0663612900 | O-RING | |
| - | 1 | | Blade - rotor | |
| - | 1 | 9000031300 | CLAW COUPLING | |
| - | 1 | 3371814709 | SEAL RING 8,7/13X1 | |
| - | 2 | 3330000500 | SEAL.WASHER | |
| - | 1 | 3371896048 | LABEL | |
| - | 1 | 3106967500 | WASHER | |
| - | 4 | 3330005800 | FLAP | |
| 79 | | 0211136300 | Screw | |
| - | 1 | 0663918400 | O-ring | |
| - | 1 | 9000019700 | HOSE CLAMP | |

| Id | Qty | Number | Name | Specifications |
|----|-----|------------|---|----------------|
| - | 1 | | O-RING | |
| - | 1 | 3371815738 | LOCKING RING | |
| - | 1 | 0502222100 | BALL BEARING | |
| - | 1 | 3371802108 | Label | |
| - | 1 | 3371802107 | Label | |
| - | 1 | 3371814754 | LOCKING RING 38 | |
| - | 2 | 0335351602 | SNAP RING DIA8-DIA7.6 | |
| - | 1 | 0663613900 | O RING | |
| - | 1 | 3121001200 | PACKING | |
| - | 1 | 3000012100 | RUBB.PACKING | |
| - | 1 | | Gasket - seal plate | |
| - | 1 | 0663614000 | O RING 79.5X3 | |
| - | 4 | 0101414000 | Pin | |
| 62 | | 3377000432 | ADAPTOR 08-06 | |
| - | 1 | 3330000400 | WASHER | |
| - | 4 | 0663215200 | O-ring, 124.3 x 5.7 mm, 4.89 x 0.22 in. | |
| - | 1 | 3371820700 | SHIM PS 8X14X0.5 | |
| - | 1 | 3371802106 | Label | |
| - | 1 | 3121007200 | RING | |
| - | 1 | 3115098280 | VALVE BODY | |
| - | 1 | 9238270790 | TEMPLATE | |
| - | 1 | 3100964600 | PACKING | |
| - | 1 | | O-RING | |
| - | 1 | 3371814748 | O-RING 25X1.5 | |
| - | 1 | | Seal - oil | |
| - | 1 | 3100965300 | PACKING | |
| - | 1 | 3000964600 | Packing | |
| - | 1 | 3371814749 | O-RING 13X1.5 | |
| - | 1 | 3371802105 | Label | |
| - | 4 | 0147137202 | Screw, M10 x 75 mm | |
| - | 1 | 0504221700 | Bearing | |
| 70 | | 0211136300 | Screw | |
| - | 1 | 0518125500 | SEAL RING | |
| - | 2 | 3371820706 | O-RING 22X1.5 | |
| - | 1 | | BRAKERING | |
| - | 1 | 3162097600 | GASKET | |
| - | 1 | 3121054500 | PACKING | |
| - | 2 | 3132017300 | PACKING | |
| - | 2 | 3371814750 | O-RING 12X1.5 | |
| - | 1 | 3330002300 | NUT | |
| - | 1 | 3371814751 | O-RING 69X1.5 | |
| - | 1 | 3371817757 | O-RING 6X2 | |
| - | 1 | 3376100084 | O-RING 8X2 | |
| - | 1 | 3371820718 | SEAL RING 9/14X1 | |
| - | 1 | 3371820725 | O-RING 82X1.5 | |
| - | 1 | 3371820726 | O-RING 16X1.5 | |
| - | 1 | 3371820167 | BACK-UP WASHER 32.7/45X | |
| - | 1 | 3371820727 | LOCKING RING | |



| Id | Qty | Number | Name | Specifications |
|----|-----|------------|-----------------------------|----------------|
| - | 1 | 3371805503 | SEAL 8/14X3.5/5 | |
| - | 1 | 0663212300 | O-RING | |
| - | 1 | 3371814700 | O-RING 8.3X2.4 | |
| - | 1 | 3371814701 | Back-up ring | |
| - | 1 | 0335350152 | SNAP RING DIA12-DIA12.4 | |
| - | 2 | 0335351602 | SNAP RING DIA8-DIA7.6 | |
| - | 1 | 3371813710 | PROTECTIVE CAP M24X1.5 | |
| - | 1 | 3371814709 | SEAL RING 8,7/13X1 | |
| - | 2 | 3371820706 | O-RING 22X1.5 | |
| - | 1 | 3371814748 | O-RING 25X1.5 | |
| - | 2 | 0663212700 | O-RING | |
| - | 2 | 3371814710 | O-RING 33X2 | |
| - | 2 | 3371814750 | O-RING 12X1.5 | |
| - | 1 | 3371814749 | O-RING 13X1.5 | |
| - | 2 | 0661100027 | WASHER-SEAL:M 21.5IDX28.5OD | |
| - | 1 | 3371814751 | O-RING 69X1.5 | |
| - | 1 | 3371814172 | SEAL 28/36X5.7 | |
| - | 1 | 3371814169 | BACK-UP WASHER 28.7X38X2 | |
| - | 1 | 3371814754 | LOCKING RING 38 | |
| - | 1 | 0665910091 | WIPER DIA28/DIA38X7/10 | |
| - | 1 | 3371815738 | LOCKING RING | |
| - | 2 | 3371815131 | NAB | |

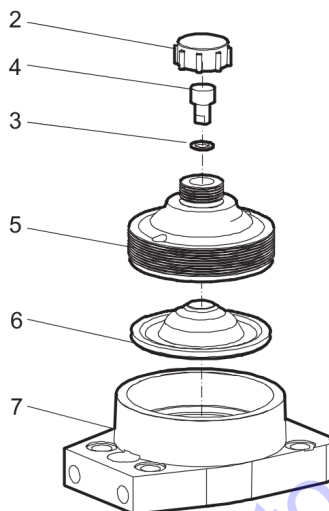


Go to DiscountEquipment.com to order your parts

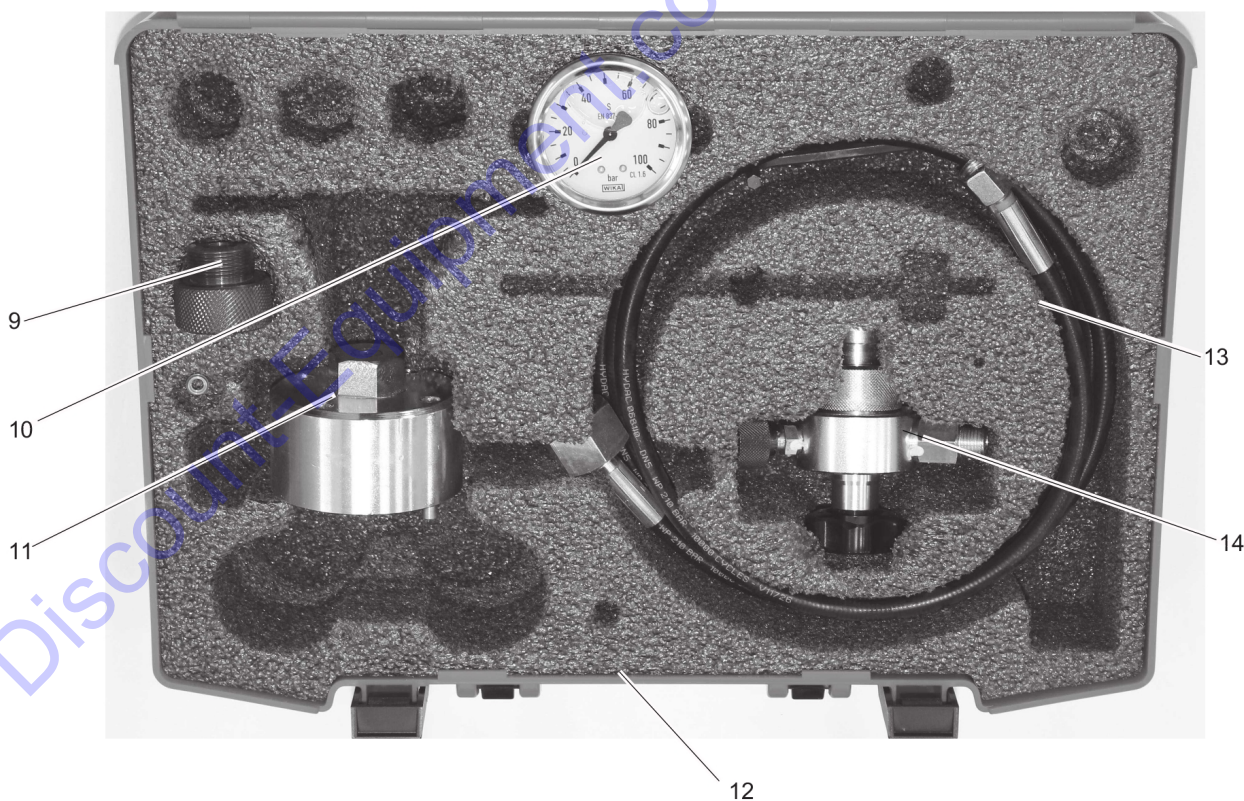
| Id | Qty | Number | Name | Specifications |
|-----------|------------|---------------|-------------------------|-----------------------|
| 1 | 1 | 3371814058 | TRIGGER COMPLETE | |
| 2 | 1 | 3371814163 | spring f/trigger valve | |
| 3 | 1 | 3371814752 | WASHER 16.8/8.5X1.5 | |
| 4 | 1 | 3371805503 | SEAL 8/14X3.5/5 | |
| 5 | 1 | 3371814120 | PACKING GLAND | |
| 6 | 1 | 3371814700 | O-RING 8.3X2.4 | |
| 7 | 1 | 0663212300 | O-RING | |
| 8 | 1 | 3371814701 | Back-up ring | |
| 9 | 1 | 0335350152 | SNAP RING DIA12-DIA12.4 | |
| 10 | 1 | 3371820071 | TRIGGER SPOOL W/ROD | |

Go to Discount-Equipment.com to order your parts

| | | | | | | |
|---|---|---|---|---|---|--|
| | | | 1 | | | |
| 2 | 3 | 4 | 5 | 6 | 7 | |



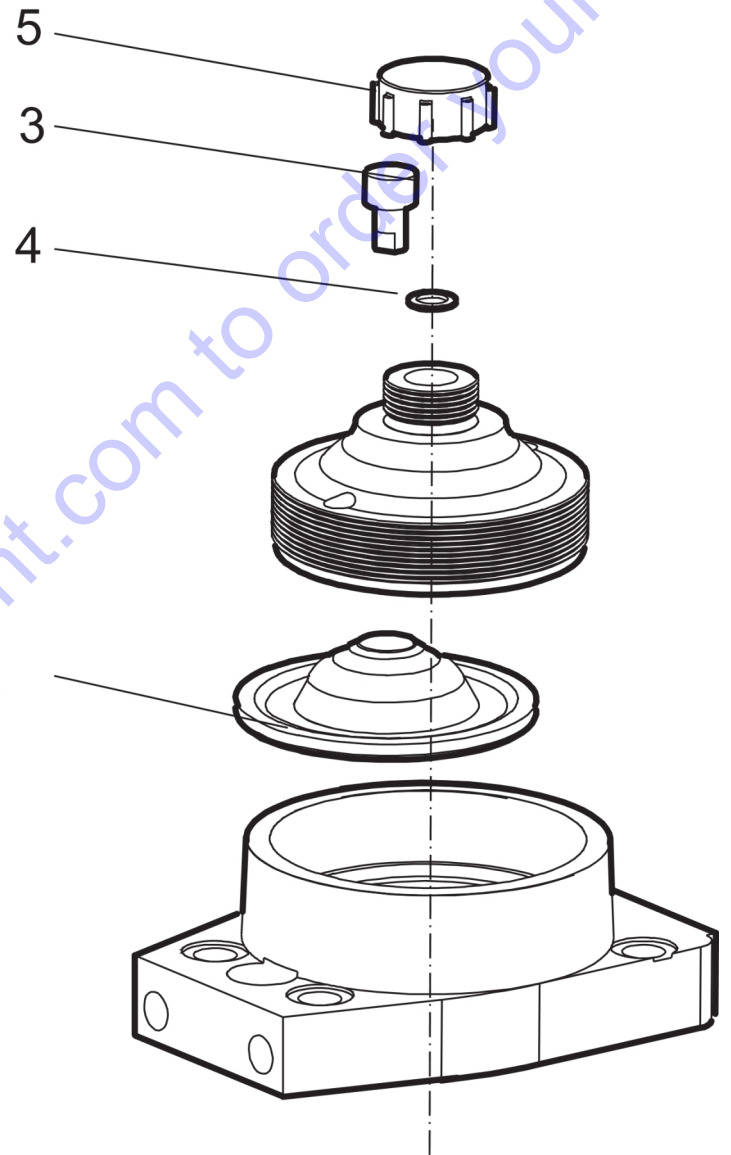
| | | | | | | |
|---|----|----|----|----|----|--|
| | | | 8 | | | |
| 9 | 10 | 11 | 12 | 13 | 14 | |



| Id | Qty | Number | Name | Specifications |
|-----------|------------|---------------|--------------------------|-----------------------|
| 1 | 1 | 3371814051 | ACCUMULATOR COMPLETE | |
| 2 | 1 | 3376117071 | protective nut | |
| 3 | 1 | 3371814709 | SEAL RING 8,7/13X1 | |
| 4 | 1 | 3371813103 | Charging screw | |
| 5 | 1 | 3371814102 | ACCUMULATOR COVER | |
| 6 | 1 | 3371814052 | Diaphragm | |
| 7 | 1 | 3371814104 | ACCUMULATOR BODY | |
| 8 | 1 | 3371801155 | FILLING DEVICE COMPLETE | |
| 9 | 1 | 3371807780 | ADAPTER | |
| 10 | 1 | | | |
| 11 | 1 | 3371807760 | TOOL F/ACCUMULATOR COMPL | |
| 12 | 1 | | | |
| 13 | 1 | 3371807779 | FILLING HOSE | |
| 14 | 1 | 3371807778 | FILLING DEVICE | |
| - | 1 | | | |

Go to Discount-Equipment.com to order your parts

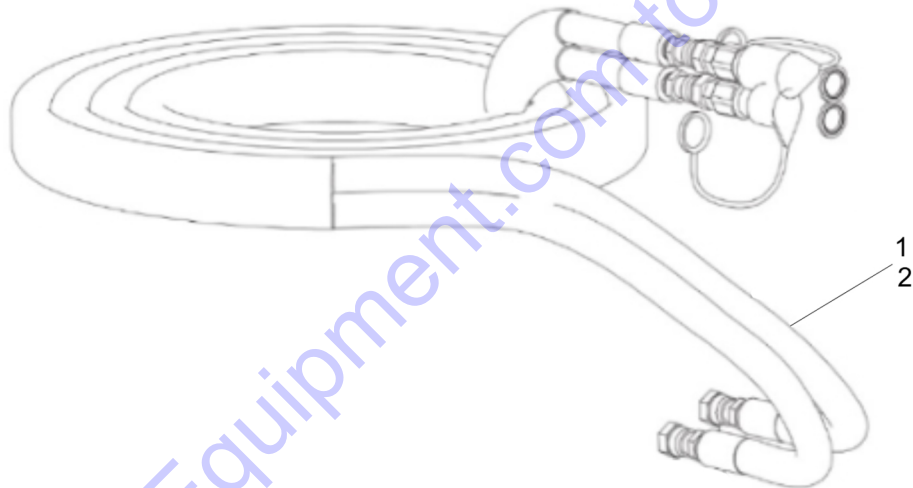
| | | | | |
|---|---|---|---|--|
| 1 | | | | |
| 2 | 3 | 4 | 5 | |



| Id | Qty | Number | Name | Specifications |
|----|-----|------------|--------------------|----------------|
| 2 | 1 | 3371814052 | Diaphragm | |
| 3 | 1 | 3371813103 | Charging screw | |
| 4 | 1 | 3371814709 | SEAL RING 8,7/13X1 | |
| 5 | 1 | 3376117071 | protective nut | |

Go to Discount-Equipment.com to order your parts

| Description | Length | | Diameter | | Weight | Comments | Part number |
|-------------------------------|--------|----|----------|----|------------------|--|----------------|
| | m | ft | mm | in | kg ¹⁾ | | |
| Hydraulic twin-extension hose | 7.0 | 23 | 12.5 | ½ | 8.3 | Incl. ½ inch Flat-Face quick-release couplings | 1 3371 8010 87 |
| | 12.0 | 39 | 12.5 | ½ | 13.3 | Incl. ½ inch Flat-Face quick-release couplings | 13371 8010 89 |
| | 7.0 | 23 | 12.5 | ½ | 8.0 | Incl. ½ inch BSP female connection for direct mounting | 13371 8010 82 |
| Double connection hoses | 1.6 | 5 | 12.5 | ½ | 1.7 | - | 2 3371 8011 90 |

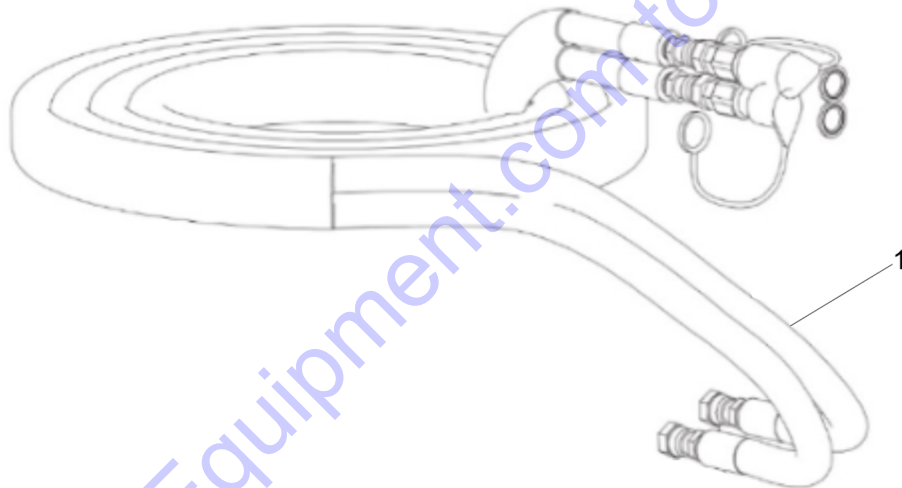


For tech. details check next page

| Id | Qty | Number | Name | Specifications |
|-----------|------------|---------------|--------------------------|-----------------------|
| 1 | 1 | 3371801087 | 7 m Twin extension hose | |
| 1 | 1 | 3371801089 | 12 m Twin extension hose | |
| 1 | 1 | 3371801082 | 7 m Twin hose | |
| 2 | 1 | 3371801190 | 1.6 M TAIL-HOSE SET | |

Go to Discount-Equipment.com to order your parts

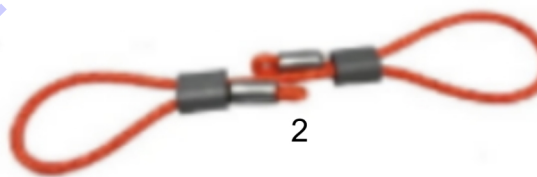
| Description | Length | Diameter | Weight | Comments | Part number |
|-------------------------------|--------|----------|--------|--|--------------|
| | ft | in | lbs | | |
| Hydraulic twin-extension hose | 30 | ½ | 22 | ½" pressure and ¾" return hose with ½" flat-face quick release couplings | 9246 0204 98 |
| Hydraulic twin-extension hose | 50 | ½ | 37 | | 9246 0204 99 |
| Hydraulic twin-extension hose | 15 | ½ & ¾ | 12 | ½" pressure and ¾" return hose with ½" flat-face male and female quick release couplings connect to Chicago Pneumatic handheld hydraulic units and the ¾" male and female flat faced couplings connects to PTO | 9246 0205 02 |
| Hydraulic twin-extension hose | 30 | ½ & ¾ | 24 | | 9246 0205 03 |
| Hydraulic twin-extension hose | 50 | ½ & ¾ | 37 | | 9246 0205 04 |



For tech. details check next page

| Id | Qty | Number | Name | Specifications |
|----|-----|------------|-------------------------------|----------------|
| 1 | 1 | 9246020498 | Hydraulic twin-extension hose | |
| 1 | 1 | 9247020499 | Hydraulic twin-extension hose | |
| 1 | 1 | 9246020502 | Hydraulic twin-extension hose | |
| 1 | 1 | 9246020503 | HYD HOSE ASSY 30'X1/2"X3 | |
| 1 | 1 | 9246020504 | Hydraulic twin-extension hose | |

Go to Discount-Equipment.com to order your parts



Go to Discount-Equipment.com to order your parts

| Id | Qty | Number | Name | Specifications |
|-----------|------------|---------------|--|-----------------------|
| 1 | 1 | 3310101858 | WHIP CHECK 1/2"-1.1/4",L=540mm | |
| 1 | 1 | 3310101859 | WHIP CHECK 1.1/2"-3",L=965mm | |
| 1 | 1 | 3310101860 | WHIP CHECK 3"-6",L=1150mm | |
| 2 | 1 | 3310102546 | WHIPCHECK PRO 1/2 - 4",L=500MM,BS=1000KG | |

Go to Discount-Equipment.com to order your parts

PARTS FINDER

**Search Website
by Part Number**



**Search Manual
Library For Parts
Manual & Lookup Part
Numbers – Purchase
or Request Quote**

Search Manuals

Enter your information to help us find the right parts manual for your machine.

* Brand:

* Model:

* Serial:

* Part Number:

SEARCH

**Can't Find Part or
Manual? Request Help
by Manufacturer,
Model & Description**

Parts Order Form

Please fill in the following information to help us find the right part for your machine.

| | |
|---------------|----------------------|
| Manufacturer: | <input type="text"/> |
| Model: | <input type="text"/> |
| Description: | <input type="text"/> |
| Part Number: | <input type="text"/> |
| Quantity: | <input type="text"/> |
| Notes: | <input type="text"/> |

Discount-Equipment.com is your online resource for quality parts & equipment.

Florida: **561-964-4949** Outside Florida TOLL FREE: **877-690-3101**

Need parts?

Click on this link: <http://www.discount-equipment.com/category/5443-parts/> and choose one of the options to help get the right parts and equipment you are looking for. Please have the machine model and serial number available in order to help us get you the correct parts. If you don't find the part on the website or on one of the online manuals, please fill out the request form and one of our experienced staff members will get back to you with a quote for the right part that your machine needs.

We sell worldwide for the brands: Genie, Terex, JLG, MultiQuip, Mikasa, Essick, Whiteman, Mayco, Toro Stone, Diamond Products, Generac Magnum, Airman, Haulotte, Barreto, Power Blanket, Nifty Lift, Atlas Copco, Chicago Pneumatic, Allmand, Miller Curber, Skyjack, Lull, Skytrak, Tsurumi, Husquvarna Target, Stow, Wacker, Sakai, Mi-T-M, Sullair, Basic, Dynapac, MBW, Weber, Bartell, Bennar Newman, Haulotte, Ditch Runner, Menegotti, Morrison, Contec, Buddy, Crown, Edco, Wyco, Bomag, Laymor, EZ Trench, Bil-Jax, F.S. Curtis, Gehl Pavers, Heli, Honda, ICS/PowerGrit, IHI, Partner, Imer, Clipper, MMD, Koshin, Rice, CH&E, General Equipment, Amida, Coleman, NAC, Gradall, Square Shooter, Kent, Stanley, Tamco, Toku, Hatz, Kohler, Robin, Wisconsin, Northrock, Oztec, Toker TK, Rol-Air, APT, Wylie, Ingersoll Rand / Doosan, Innovatech, Con X, Ammann, Mecalac, Makinex, Smith Surface Prep, Small Line, Wanco, Yanmar